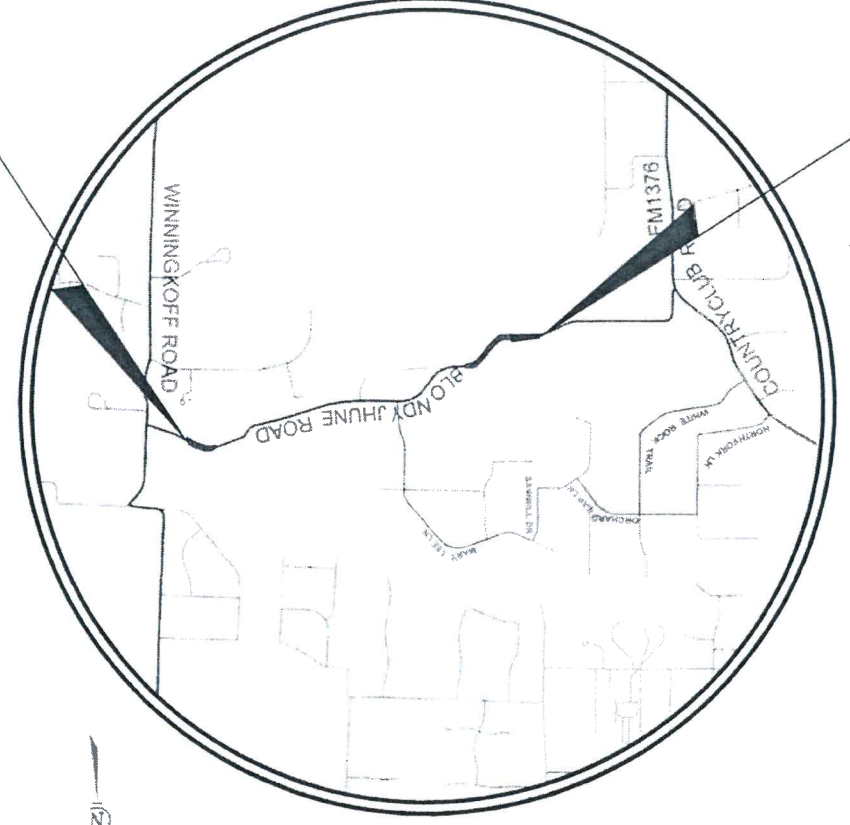


CONSTRUCTION PLANS BLONDY JHUNE DRIVEWAYS

CITY OF LUCUS
COLLIN COUNTY
TEXAS



BEGIN PROJECT

END PROJECT

MAY 2017

SUBMIT SHOP DRAWINGS TO:
CHRISTOPHER MESZLER, P.E.
LAKES ENGINEERING, INC.
1903 CENTRAL DR., SUITE 405
BEDFORD, TX 76021
ENGINEER OF RECORD

LAKES ENGINEERING, INC.
1903 CENTRAL DR., SUITE 405
BEDFORD, TX 76021
PH. 817-618-3640
TBPE REG. F-15243
CHRISTOPHER P. MESZLER, P.E.
LIC. NO. 112052

INDEX	SHEET NUMBER	SHEET DESCRIPTION
	DT-1	KEY SHEET
	DT-2 TO DT-6	PLAN AND DETAILS

TXDOT STD DETAILS	
PSET-SP	PRECAST SAFETY END TREATMENT (TYPE II PARALLEL DRAINAGE)
PSET-RR	PRECAST SAFETY END TREATMENT (TYPE II RIPRAP DETAILS)

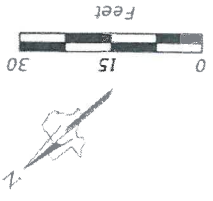
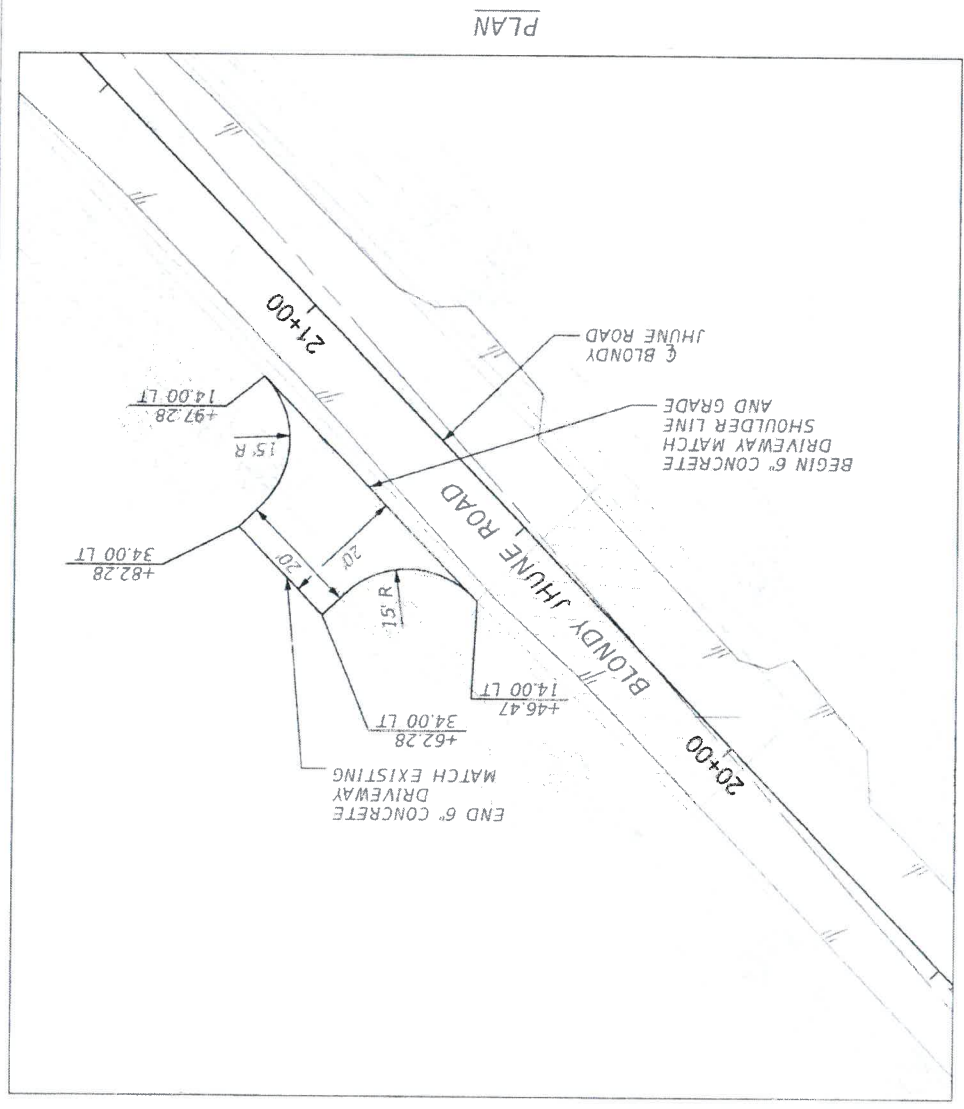
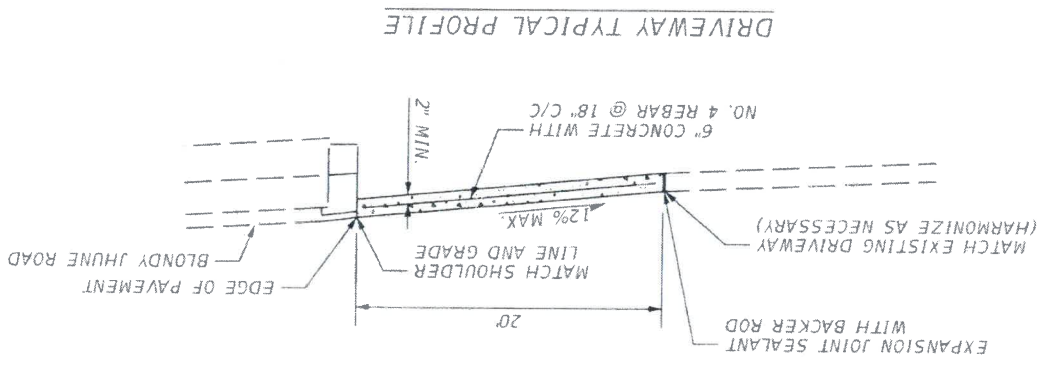
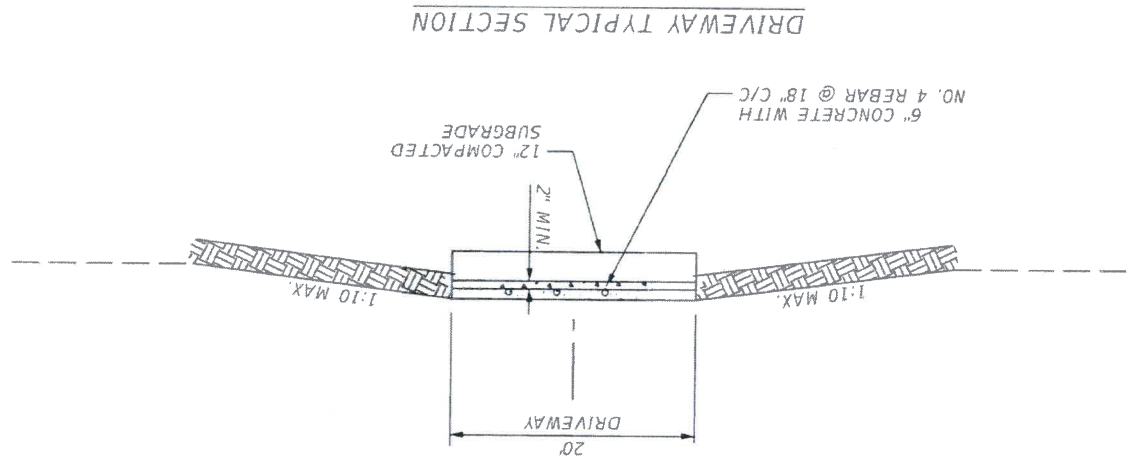
NOTE:
THE SCALE OF THESE PLANS MAY HAVE CHANGED
DUE TO REPRODUCTION.



05/02/17
cm

PLOTTED BY: mkhan
 PLOT DATE: 5/22/2017
 LOCATION: M:\Projects\16-114 Blondy Jhune Bridge\Driveway Plans\16114D\roadway\SPDR001.dgn
 LAST SAVED: 5:37:17 PM

- NOTES:
1. DRIVEWAY MAY BE EXTENDED BEYOND RIGHT OF WAY LINE AS REQUIRED TO MEET EXISTING GRADE. COORDINATE WITH PROPERTY OWNER AND CITY.
 2. EXACT LOCATIONS, DIMENSIONS, AND TYPE MAY BE FIELD MODIFIED WITH PRIOR APPROVAL FROM THE CITY.
 3. SIDE DRAINS TO BE INSTALLED WHERE ROADSIDE SWALE DRAINAGE IS PRESENT, AS INDICATED ON PLANS AND/OR AS DIRECTED BY THE ENGINEER.
 4. SIDE DRAINS TO BE INSTALLED WITH A MINIMUM OF 12" COVER, NOT INCLUDING CONCRETE DRIVEWAY THICKNESS.



05/22/17
 [Signature]

P20 No. 16-114
DT-2
 SHEET

PLAN AND DETAILS

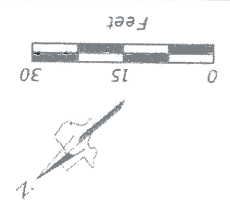
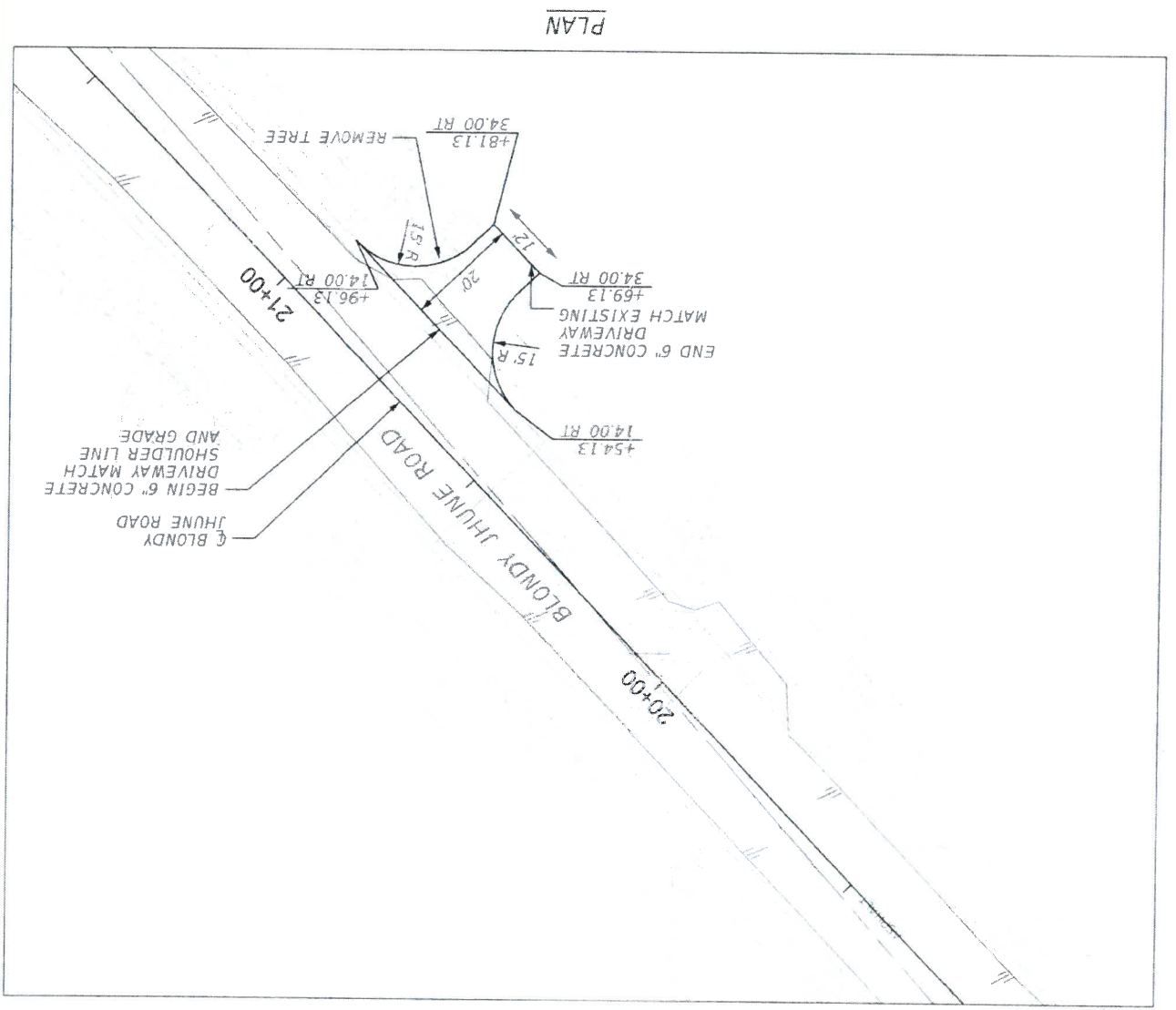
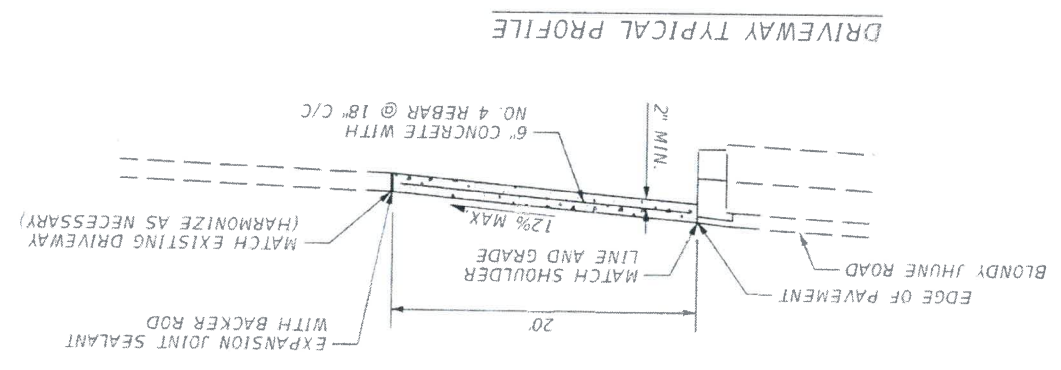
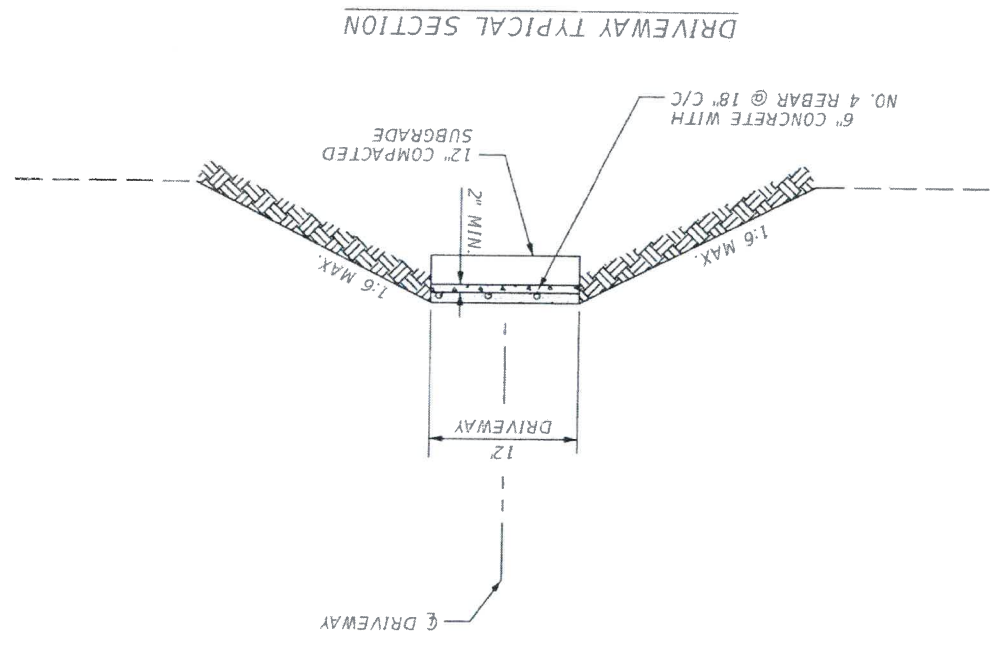
No.	DATE	REVISION	BY

DRIVEWAY PLANS
BLONDY JHUNE ROAD
LUCUS, TEXAS

Project No. 12052 Date: 04/29/2017
 Engineer: CHRISTOPHER P. MESSLER

LAKES
ENGINEERING, INC.
 10000 W. STATE ST. SUITE 100
 FORT WORTH, TEXAS 76132
 TEL: 817.336.1111
 FAX: 817.336.1112
 WWW.LAKES-ENGINEERING.COM

- NOTES:
1. DRIVEWAY MAY BE EXTENDED BEYOND RIGHT OF WAY LINE AS REQUIRED TO MEET EXISTING GRADE. COORDINATE WITH PROPERTY OWNER AND CITY.
 2. EXACT LOCATIONS, DIMENSIONS, AND TYPE MAY BE FIELD MODIFIED WITH PRIOR APPROVAL FROM THE CITY.
 3. SIDE DRAINS TO BE INSTALLED WHERE ROADSIDE SWALE DRAINAGE IS PRESENT, AS INDICATED ON PLANS AND/OR AS DIRECTED BY THE ENGINEER.
 4. SIDE DRAINS TO BE INSTALLED WITH A MINIMUM OF 12" COVER, NOT INCLUDING CONCRETE DRIVEWAY THICKNESS.



05/02-17
 [Signature]

DESIGN: [Blank]	DATE: 04/05/2017	SHEET: DT-3
DRAWN: [Blank]	CHECKED: [Blank]	Fig. No. 16-114
NO.	DATE	REVISION
BY		

PLAN AND DETAILS

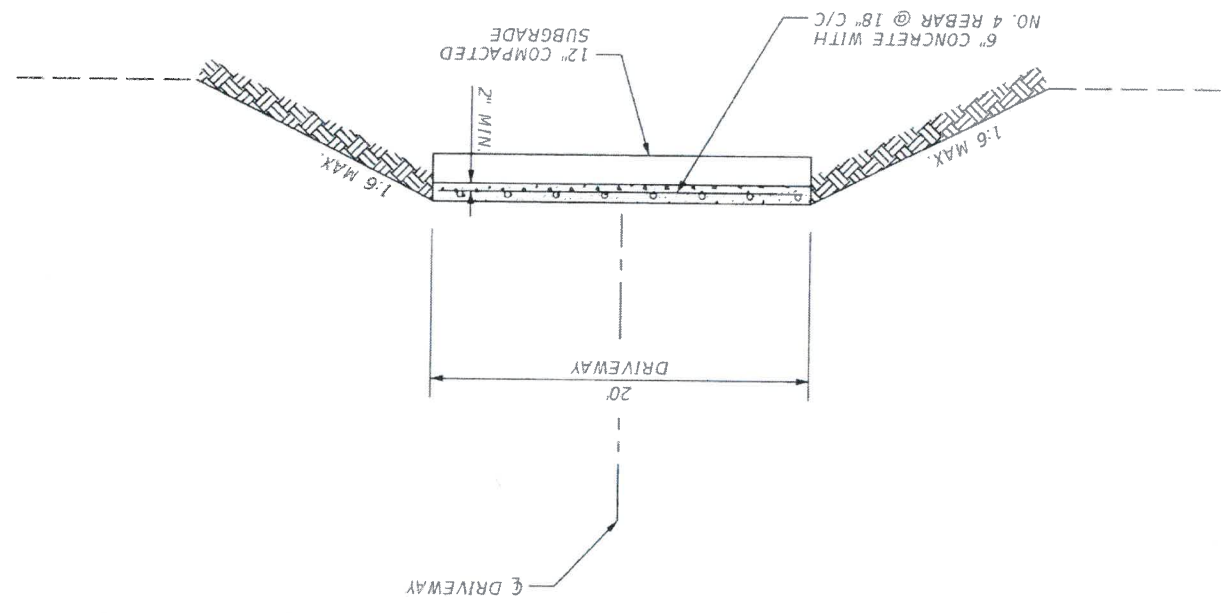
DRIVEWAY PLANS
BLONDY JHUNE ROAD
LUCUS, TEXAS

Engineer: Christopher P. Messler
 License No. 112052, Exp. 04/05/2017
LAKES ENGINEERING, INC.
 1100 WEST 17TH STREET, SUITE 400
 FORT WORTH, TEXAS 76108
 (817) 336-1111
 WWW.LAKES-ENG.COM

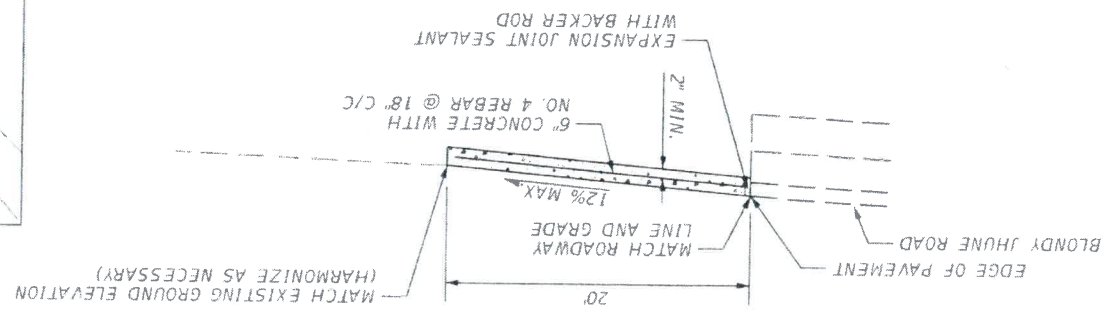
PLOTTED BY: mkhan
 PLOT DATE: 5/2/2017
 LOCATION: H:\Projects\16-114 Blondy/Jhune Bridge\Driveway Plans\16114D\roadway\SPDR003.DGN
 LAST SAVED: 5:37:19 PM

- NOTES:
1. DRIVEWAY MAY BE EXTENDED BEYOND RIGHT OF WAY LINE AS REQUIRED TO MEET EXISTING GRADE. COORDINATE WITH PROPERTY OWNER AND CITY.
 2. EXACT LOCATIONS, DIMENSIONS, AND TYPE MAY BE FIELD MODIFIED WITH PRIOR APPROVAL FROM THE CITY AND/OR AS DIRECTED BY THE ENGINEER.
 3. SIDE DRAINS TO BE INSTALLED WHERE ROADSIDE SWALE DRAINAGE IS PRESENT, AS INDICATED ON PLANS.
 4. SIDE DRAINS TO BE INSTALLED WITH A MINIMUM OF 12" COVER, NOT INCLUDING CONCRETE DRIVEWAY THICKNESS.

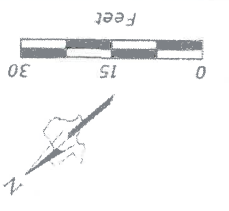
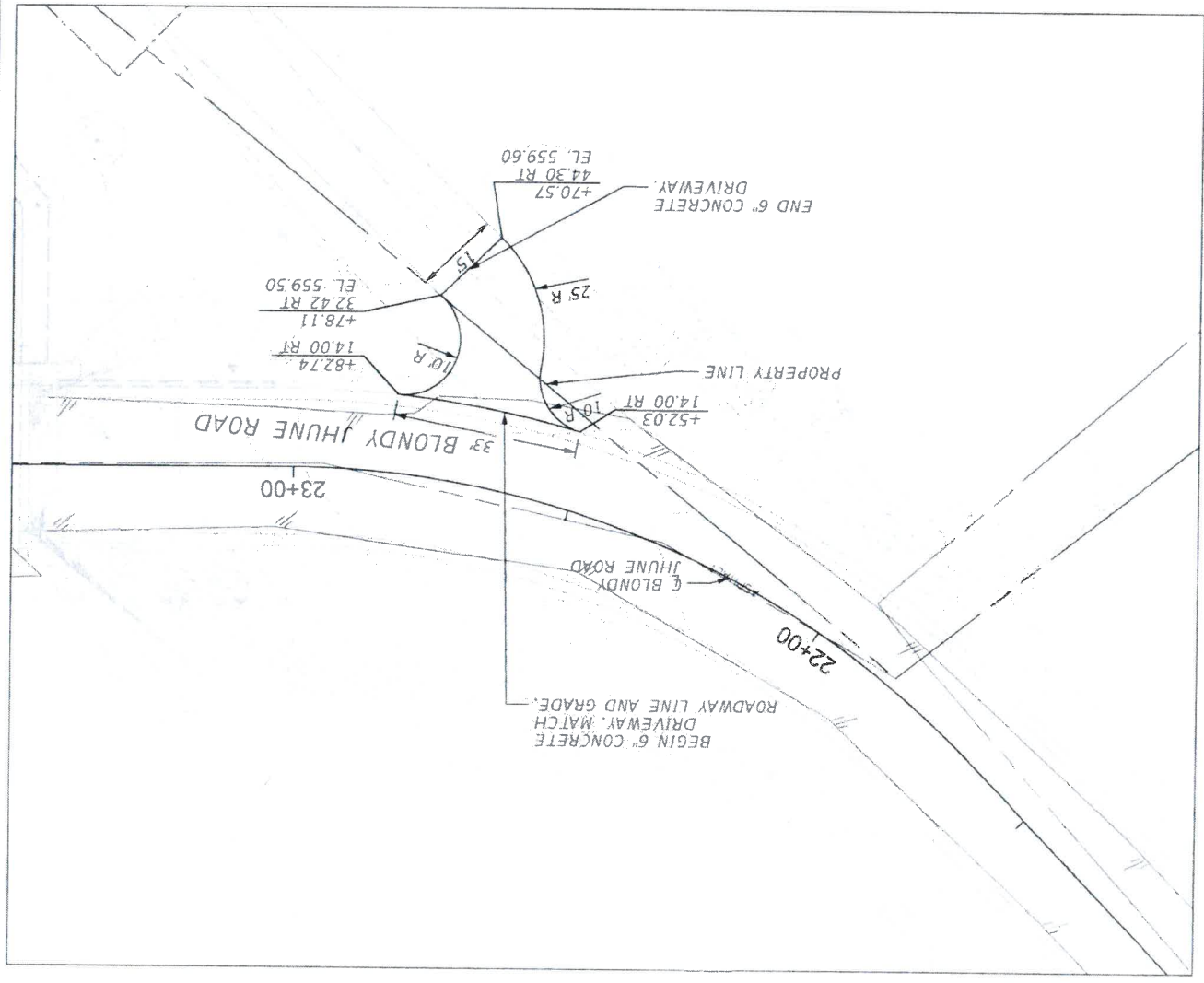
DRIVEWAY TYPICAL SECTION



DRIVEWAY TYPICAL PROFILE



PLAN



05
 02-17
CPM

DT-4
 SHEET
 DATE: 04/05/2017
 CHECKED: SC
 DESIGN: CPM

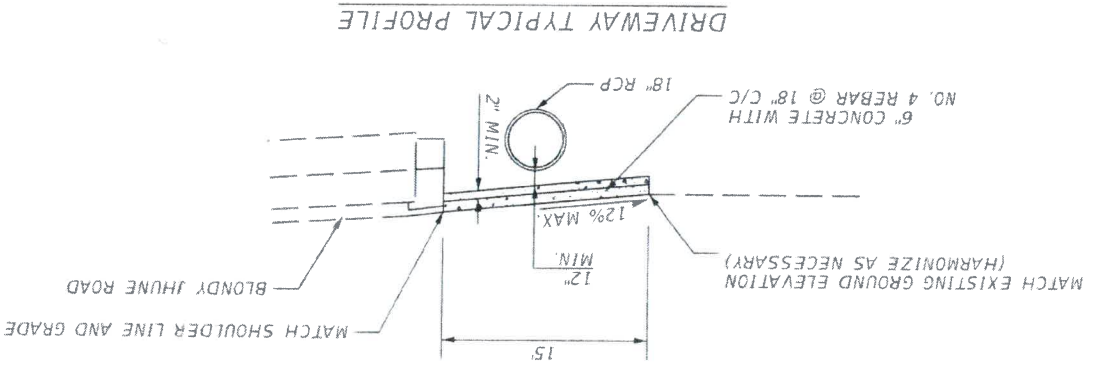
PLAN AND DETAILS

No.	DATE	REVISION	BY

DRIVEWAY PLANS
BLONDY JHUNE ROAD
LUCUS, TEXAS

P.E. No. 112052 Chris P. Meszler
 04/05/2017



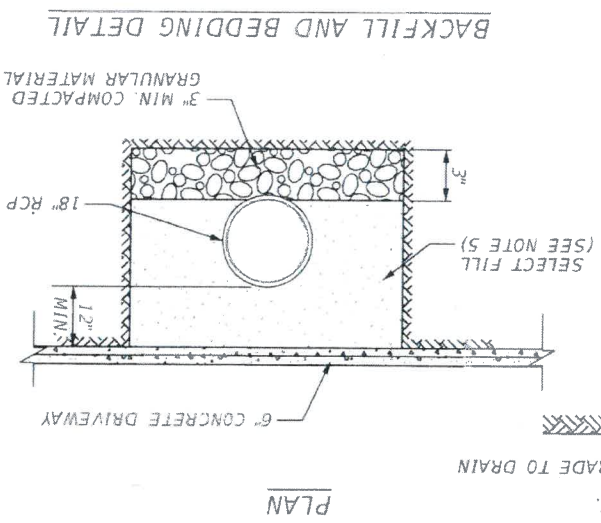
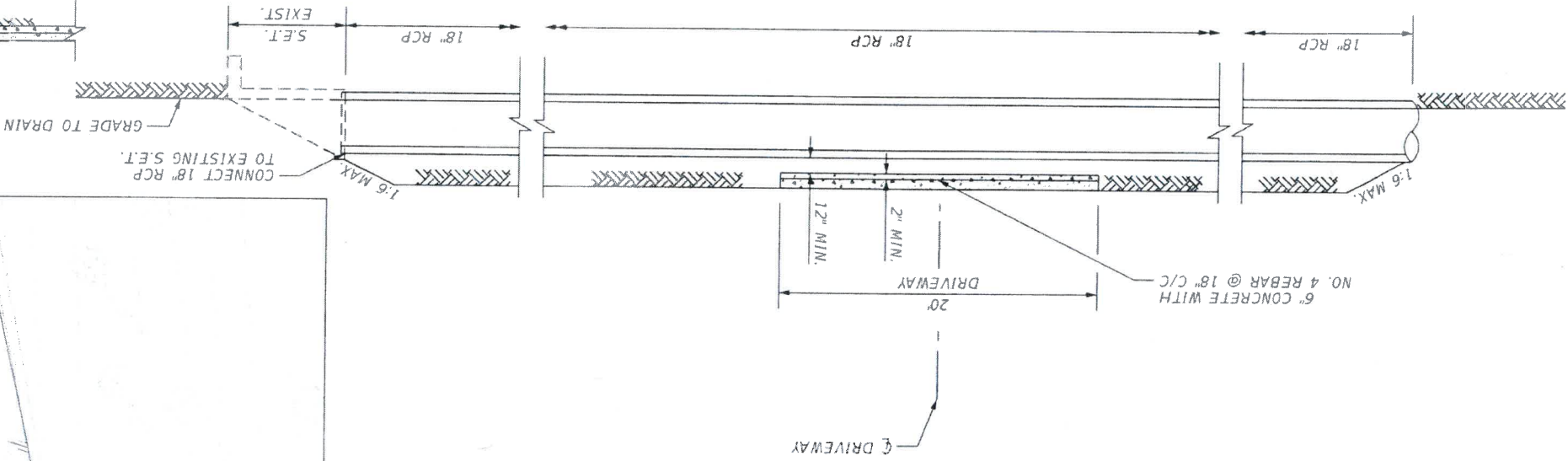


DRIVEWAY TYPICAL PROFILE

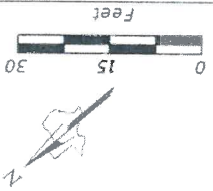
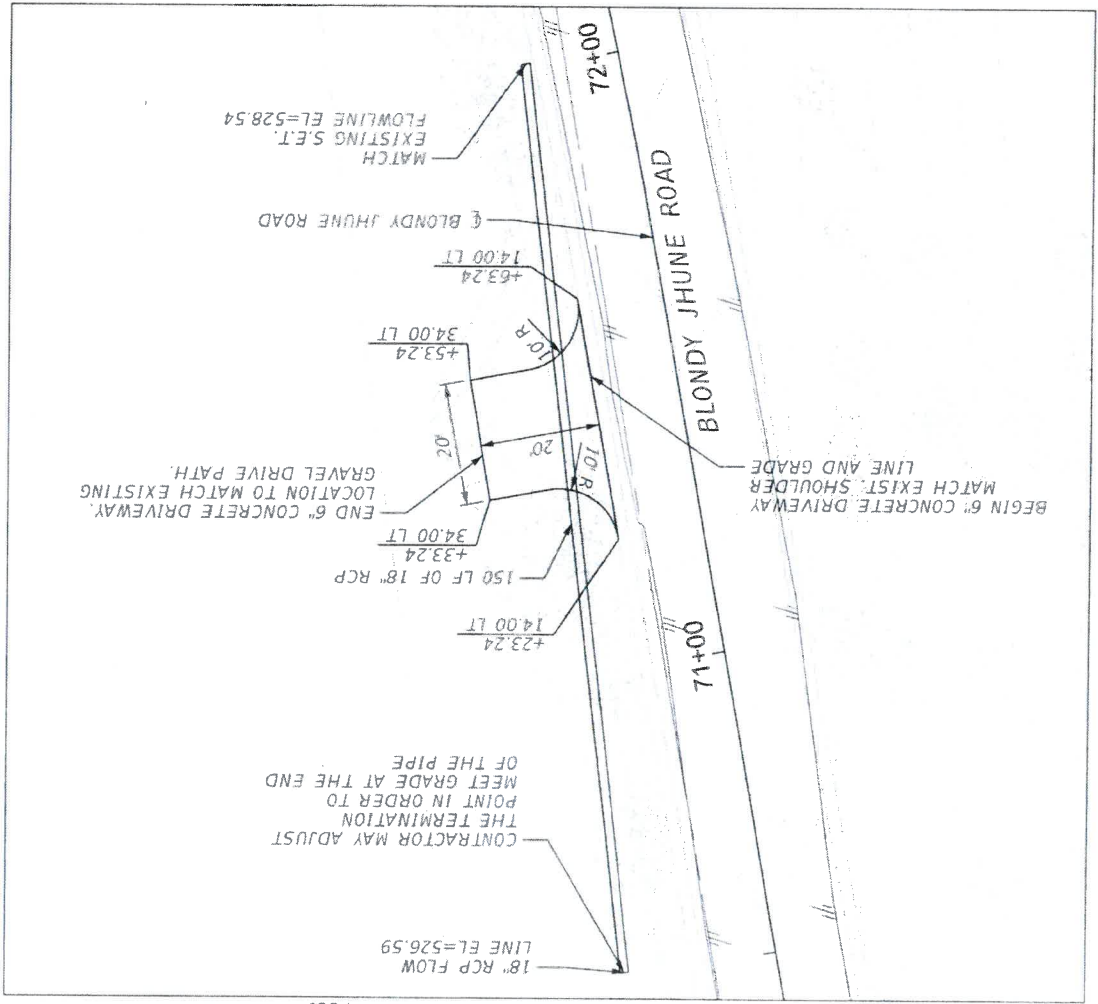
1. DRIVEWAY MAY BE EXTENDED BEYOND RIGHT OF WAY LINE AS REQUIRED TO MEET EXISTING GRADE. COORDINATE WITH PROPERTY OWNER AND CITY.
2. EXACT LOCATIONS, DIMENSIONS, AND TYPE MAY BE FIELD MODIFIED WITH PRIOR APPROVAL FROM THE CITY.
3. SIDE DRAINS TO BE INSTALLED WHERE ROADSIDE SWALE DRAINAGE IS PRESENT, AS INDICATED ON PLANS AND/OR AS DIRECTED BY THE ENGINEER.
4. SIDE DRAINS TO BE INSTALLED WITH A MINIMUM OF 12" COVER, NOT INCLUDING CONCRETE DRIVEWAY THICKNESS.
5. PLACE BACKFILL EQUALLY ALONG BOTH SIDES OF THE PIPE IN UNIFORM LIFTS (8 IN. MAX.). COMPACT EACH LIFT MECHANICALLY, THOROUGHLY COMPACT MATERIALS PLACED UNDER THE HAUNCHES OF THE PIPE TO PREVENT DAMAGE OR DISPLACEMENT OF THE PIPE. CONTINUE TO PLACE BACKFILL IN THIS MANNER TO THE TOP-OF-PIPE ELEVATION. PLACE AND COMPACT BACKFILL ABOVE THE TOP OF THE PIPE IN UNIFORM LIFTS (8 IN. MAX.).

NOTES:

DRIVEWAY TYPICAL SECTION



BACKFILL AND BEDDING DETAIL



Handwritten signature and date: 05/02-17

DT-6
 SHEET
 DATE: 04/09/2017
 CHECKED: SC
 DRAWN: MK
 DESIGN: CFM

PLAN AND DETAILS

No.	DATE	REVISION	BY

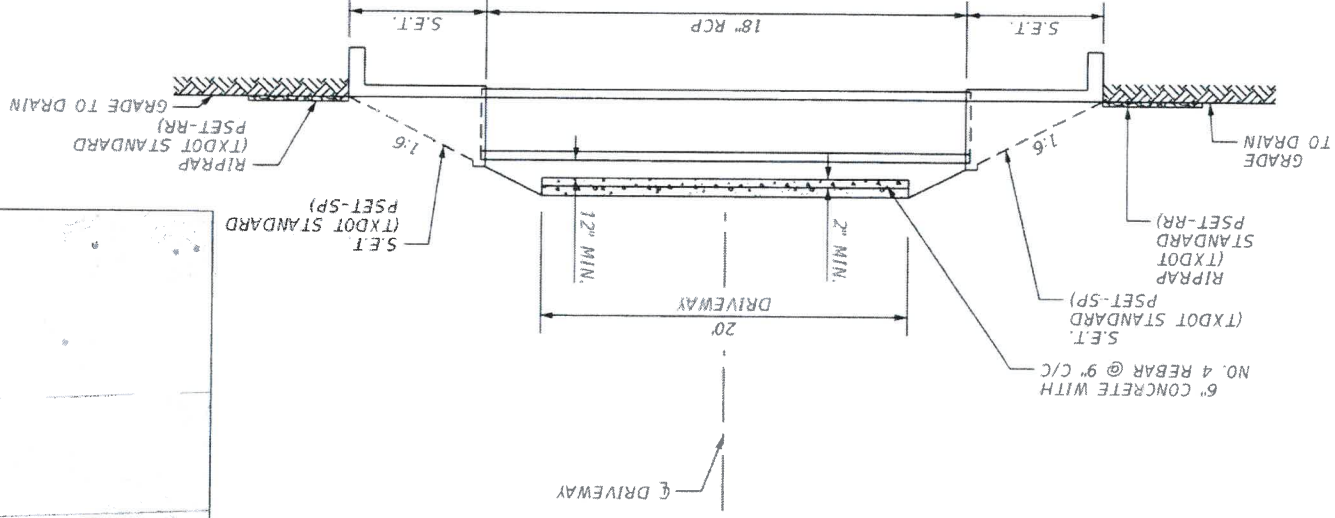
DRIVEWAY PLANS
BLONDY JHUNE ROAD
 LUCUS, TEXAS

ENGINEER: CHRISTOPHER P. MESZLER
 P.E. No. 112052 Exp. 04/25/2017

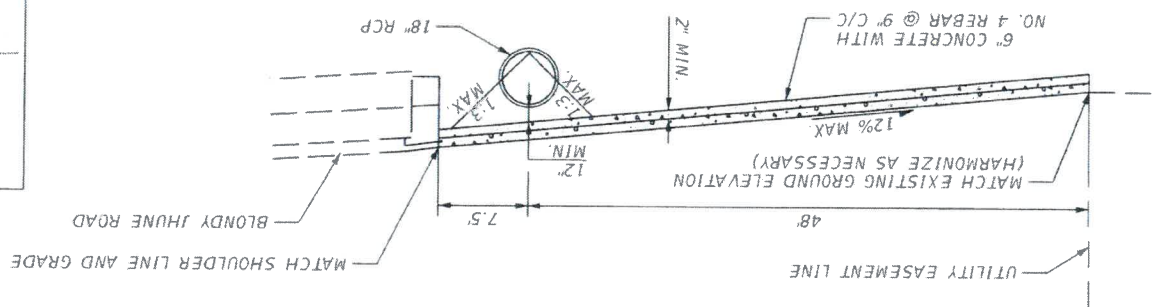
LAKES ENGINEERING, INC.
 1000 W. 14th Street, Suite 100
 Fort Worth, TX 76104
 Phone: 817.333.1111
 Fax: 817.333.1112
 Email: info@lakeseng.com

- NOTES:
1. DRIVEWAY MAY BE EXTENDED BEYOND RIGHT OF WAY LINE AS REQUIRED TO MEET EXISTING GRADE. COORDINATE WITH PROPERTY OWNER AND CITY.
 2. EXACT LOCATIONS, DIMENSIONS, AND TYPE MAY BE FIELD MODIFIED WITH PRIOR APPROVAL FROM THE CITY.
 3. SIDE DRAINS TO BE INSTALLED WHERE ROADSIDE SWALE DRAINAGE IS PRESENT, AS INDICATED ON PLANS AND/OR AS DIRECTED BY THE ENGINEER.
 4. SIDE DRAINS TO BE INSTALLED WITH A MINIMUM OF 12" COVER, NOT INCLUDING CONCRETE DRIVEWAY THICKNESS.
 5. PLACE BACKFILL EQUALLY ON BOTH SIDES OF THE PIPE IN UNIFORM LIFTS (8 IN. MAX.). COMPACT EACH LIFT MECHANICALLY. THOROUGHLY COMPACT MATERIALS PLACED UNDER THE HAUNCHES OF THE PIPE TO PREVENT DAMAGE OR DISPLACEMENT OF THE PIPE. CONTINUE TO PLACE BACKFILL IN THIS MANNER TO THE TOP-OF-PIPE ELEVATION. PLACE AND COMPACT BACKFILL ABOVE THE TOP OF THE PIPE IN UNIFORM LIFTS (8 IN. MAX.).

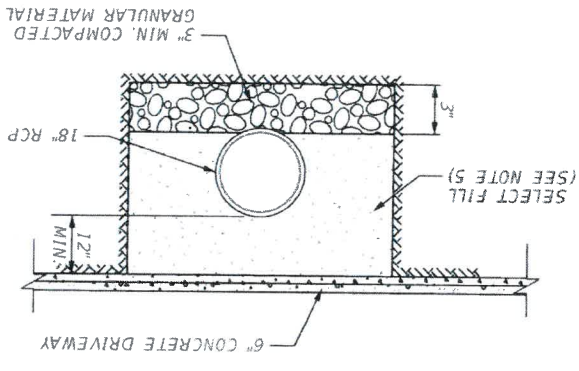
DRIVEWAY TYPICAL SECTION



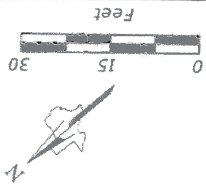
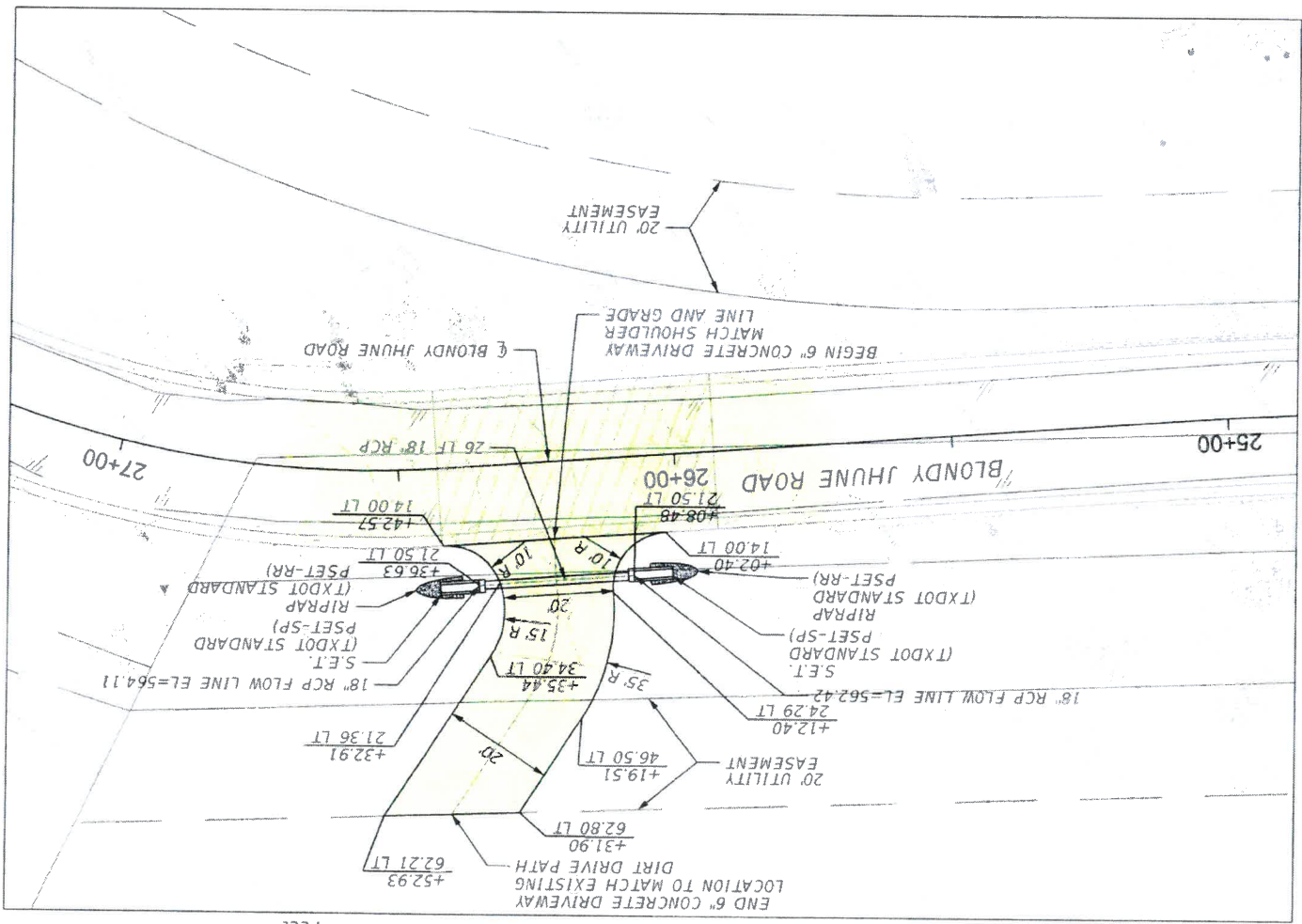
DRIVEWAY TYPICAL PROFILE



BACKFILL AND BEDDING DETAIL



PLAN



DT-5

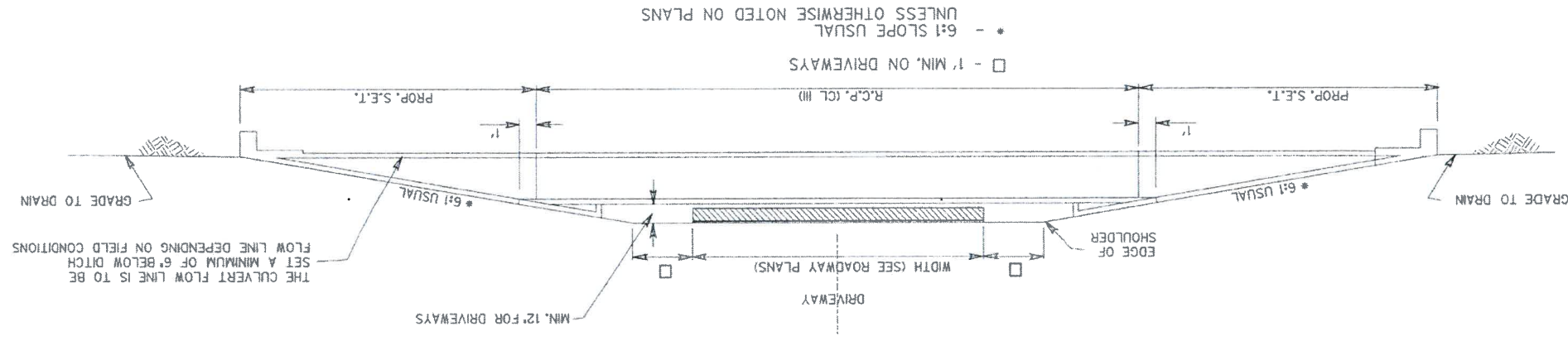
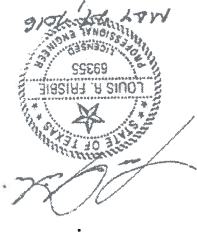
NOT FOR CONSTRUCTION

PLAN AND DETAILS

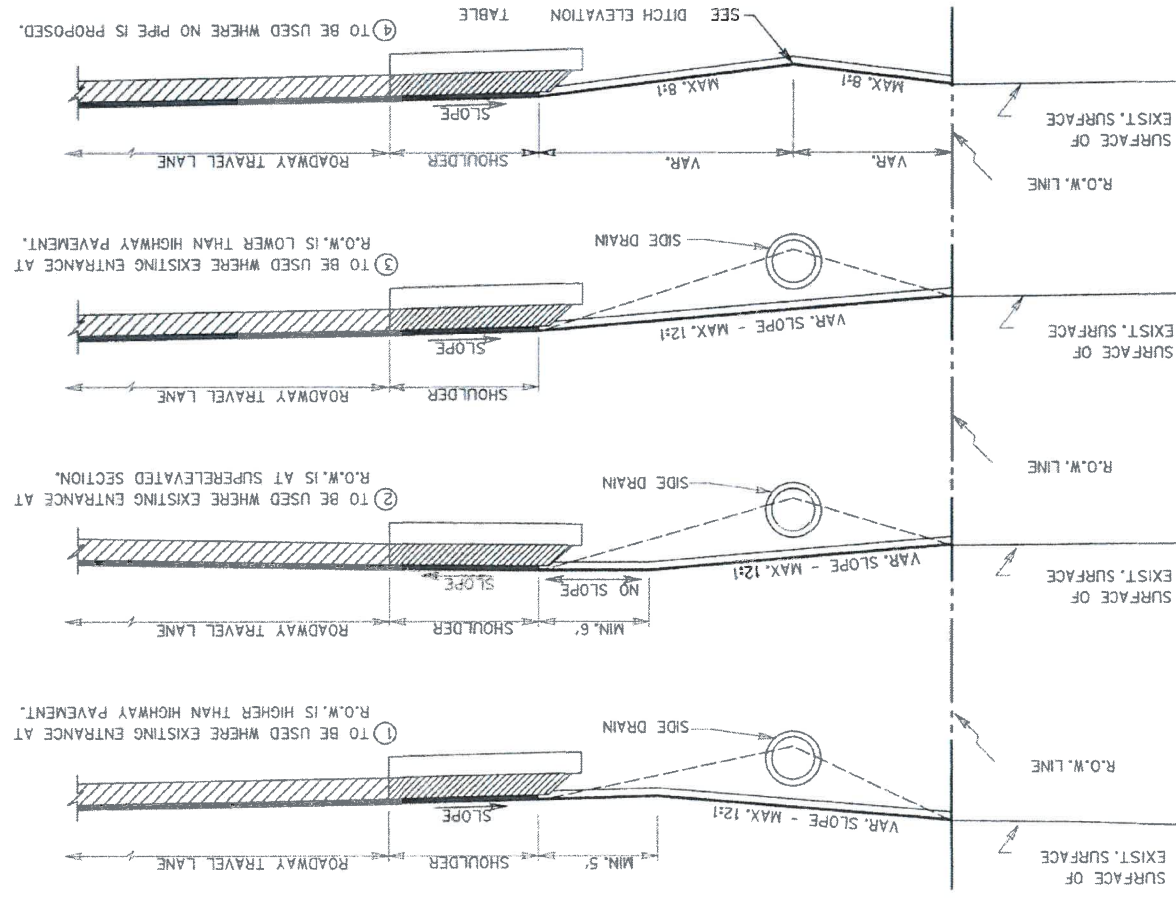
DRIVEWAY PLANS
BLONDY JHUNE ROAD
LUCUS, TEXAS

LAKES
ENGINEERING, INC.
 1700 E. 14th Street
 Lucas, Texas 75858
 Phone: 409.683.1111
 Fax: 409.683.1112
 www.lakeseng.com

35					
DESIGN SHEET	FILE NUMBER	DATE	DRAWN	CW	2016
CITY OF LUCAS, TEXAS					
BLONDY JHUNE ROAD BRIDGES					
DRIVEWAY DETAILS					
M METROPOLITAN INFRASTRUCTURE, PLLC 10945 ESTATE LN. STE E225, DALLAS, TX. 75238 TEL # (214) 341-1501, FAX # (214) 341-1600 FIRM REGISTRATION NO. 6839					

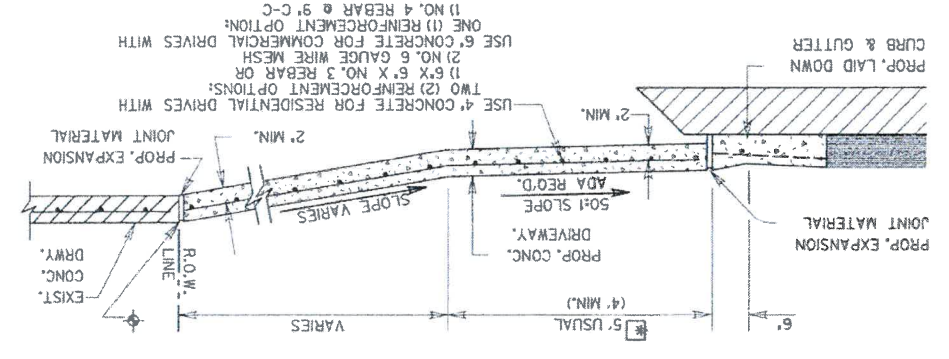


TYPICAL ENTRANCE PROFILE FOR DRIVEWAYS W/OUT C&G

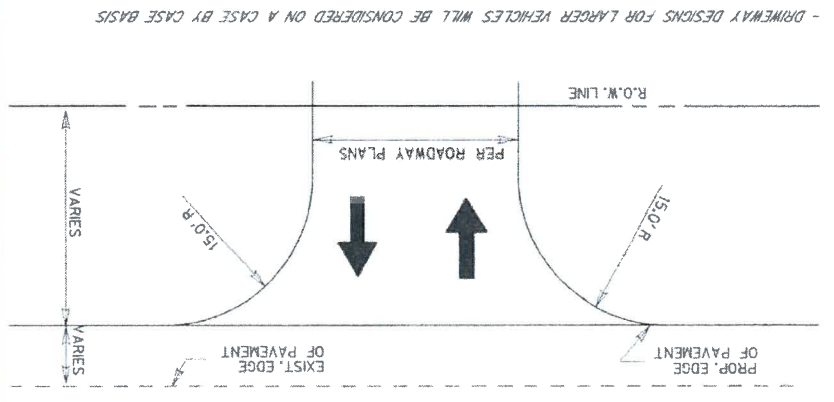


NOTES:
 ENTRANCE'S BASE AND SURFACING MAY BE EXTENDED BEYOND R.O.W. IN A MANNER OF WHICH NO STEEPER THAN 12:1 SLOPE WILL BE CONSTRUCTED. TO BE COORDINATED WITH PROPERTY OWNERS AND CITY.
 ALL FLEXIBLE BASE USED FOR PRIVATE DRIVES & COMMERCIAL DRIVES WILL NOT REQUIRE LIME TREATMENT.
 EXACT LOCATIONS, DIMENSIONS, AND TYPE TO BE ESTABLISHED DURING CONSTRUCTION BY THE ENGINEER.
 SIDE DRAINS TO BE INSTALLED WHERE ROADWAY DITCH DRAINAGE IS NECESSARY, AS INDICATED ON PLANS AND/OR AS DIRECTED BY THE ENGINEER.
 SIDE DRAINS TO BE INSTALLED WITH A MINIMUM OF 12\"/>

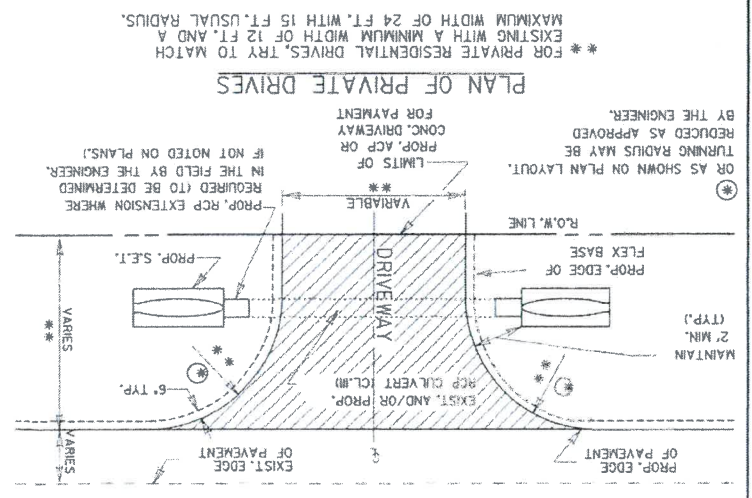
TYPICAL CONCRETE DRIVEWAY SECTION



DESIGNS FOR TWO-WAY DRIVEWAYS



PLAN OF PRIVATE DRIVES



CONC. SHALL BE SAW CUT TO THE LIMITS OF REMOVAL WHERE APPLICABLE.
 PROP./FUTURE SIDEWALK CROSSING LOCATION UNLESS SHOWN ELSEWHERE ON P&P SHEETS.
 SEE P&P SHEETS FOR PROP. SIDEWALK LOCATION. IF SIDEWALKS ARE INCLUDED AS PART OF PROJECT, REFER TO STATE STANDARDS - PEDESTRIAN FACILITIES - FOR ADDITIONAL REQUIREMENTS.

DESIGN SHEET	NUMBER	FILE	DATE	MK/KM	2016
CITY OF LUCAS, TEXAS					
BLONDY JHUNE ROAD BRIDGES					
STORM DRAINAGE LINE #1					
M METROPOLITAN INFRASTRUCTURE, PLLC 10945 ESTATE LN, STE E225, DALLAS, TX, 75238 Firm Registration No. 6928					

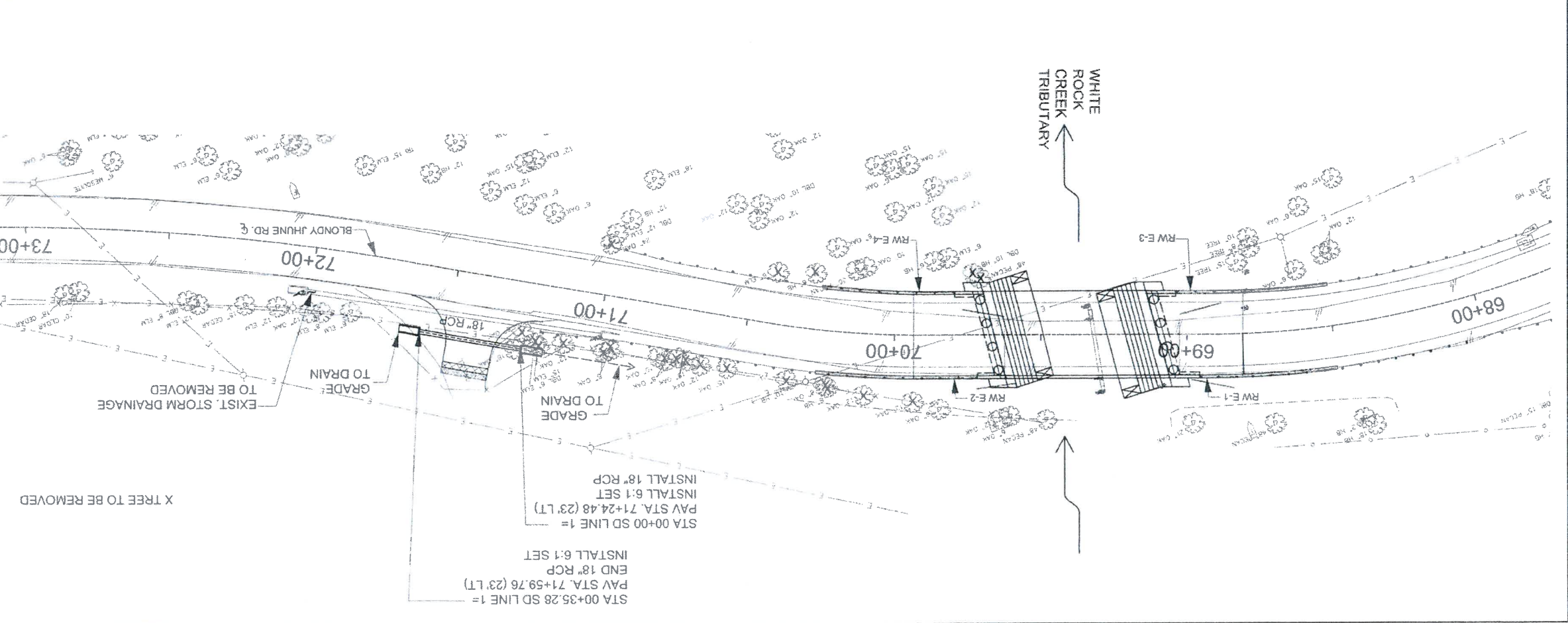
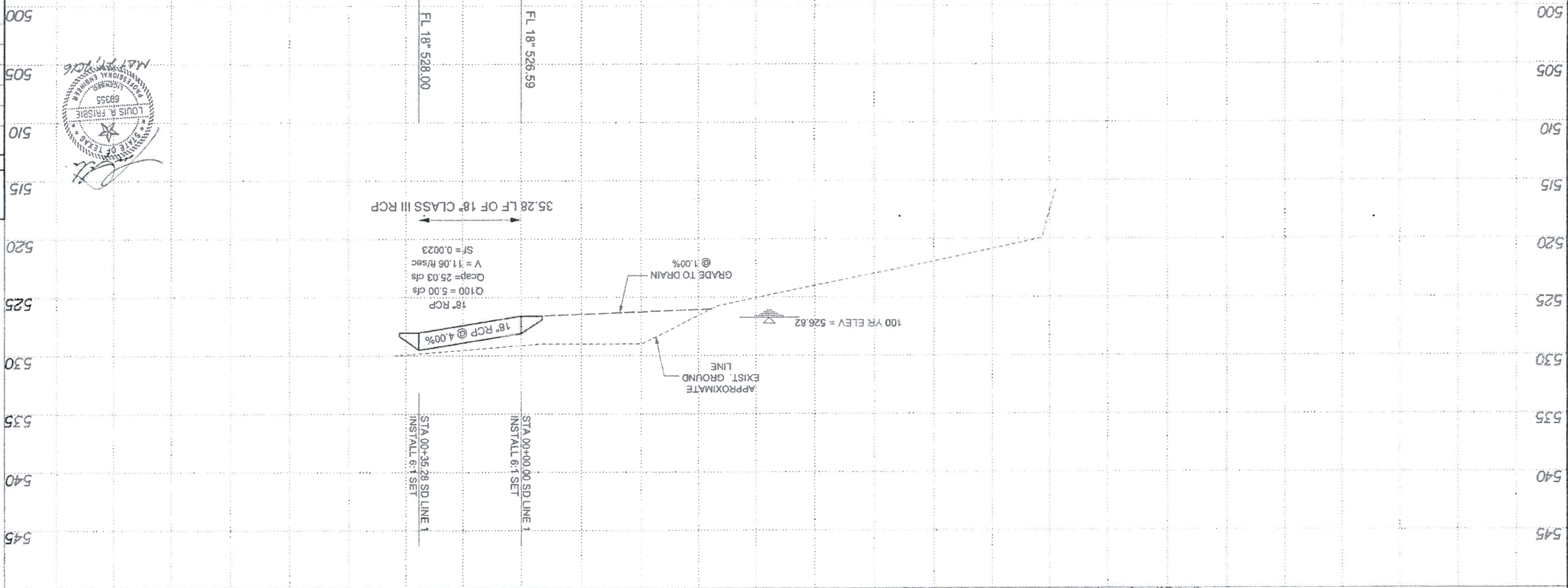
UTILITY LOCATION NOTE:
 The location of existing utilities shown on these plans are approximate and based on existing plans and data furnished by utility companies. It is the responsibility of the contractor to verify the location and depth of all existing utilities that may conflict with construction. Call 1-800-344-8377 two working days prior to construction for onsite locations. Any damage to existing utilities shall be repaired at contractor's expense, at no additional cost.

CALL BEFORE YOU DIG!
 TEXAS ONE CALL PARTNERS REQUEST 48 HOURS NOTICE BEFORE YOU DIG. DRILL OR BLAST - STOP CALL
 1-800-DIG-TESS

NOTES:
 1) FOR RETAINING WALL INFORMATION REFER TO RETAINING WALL LAYOUT SHEETS AND DETAILS

VERT. SCALE 1" = 5'
 HORIZ. SCALE 1" = 20'

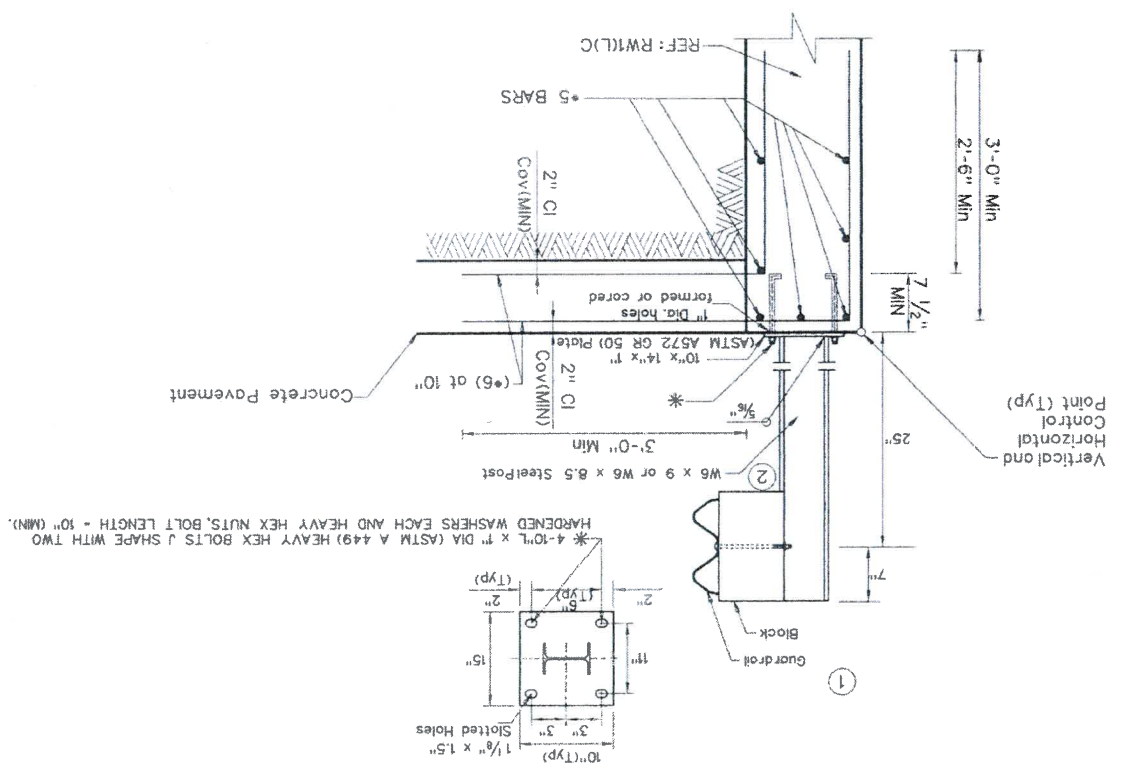
X TREE TO BE REMOVED



37					
SHEET	NUMBER	FILE	DATE	DRAWN	DATE
CITY OF LUCAS, TEXAS					
BLONDY JHUNE ROAD BRIDGES					
WALL MOUNTED MBGF					
DETAILS					
METROPOLITAN INFRASTRUCTURE, PLLC					
10945 ESTATE LN, STE E225, DALLAS, TX, 75228					
TEL # 214-234-1501, FAX # 214-234-1500					
FIRM REGISTRATION NO. 6939					
MAY 21, 2016					
UPE					
WAS/KH					



ADJACENT TO CONCRETE PAVEMENT
NTS



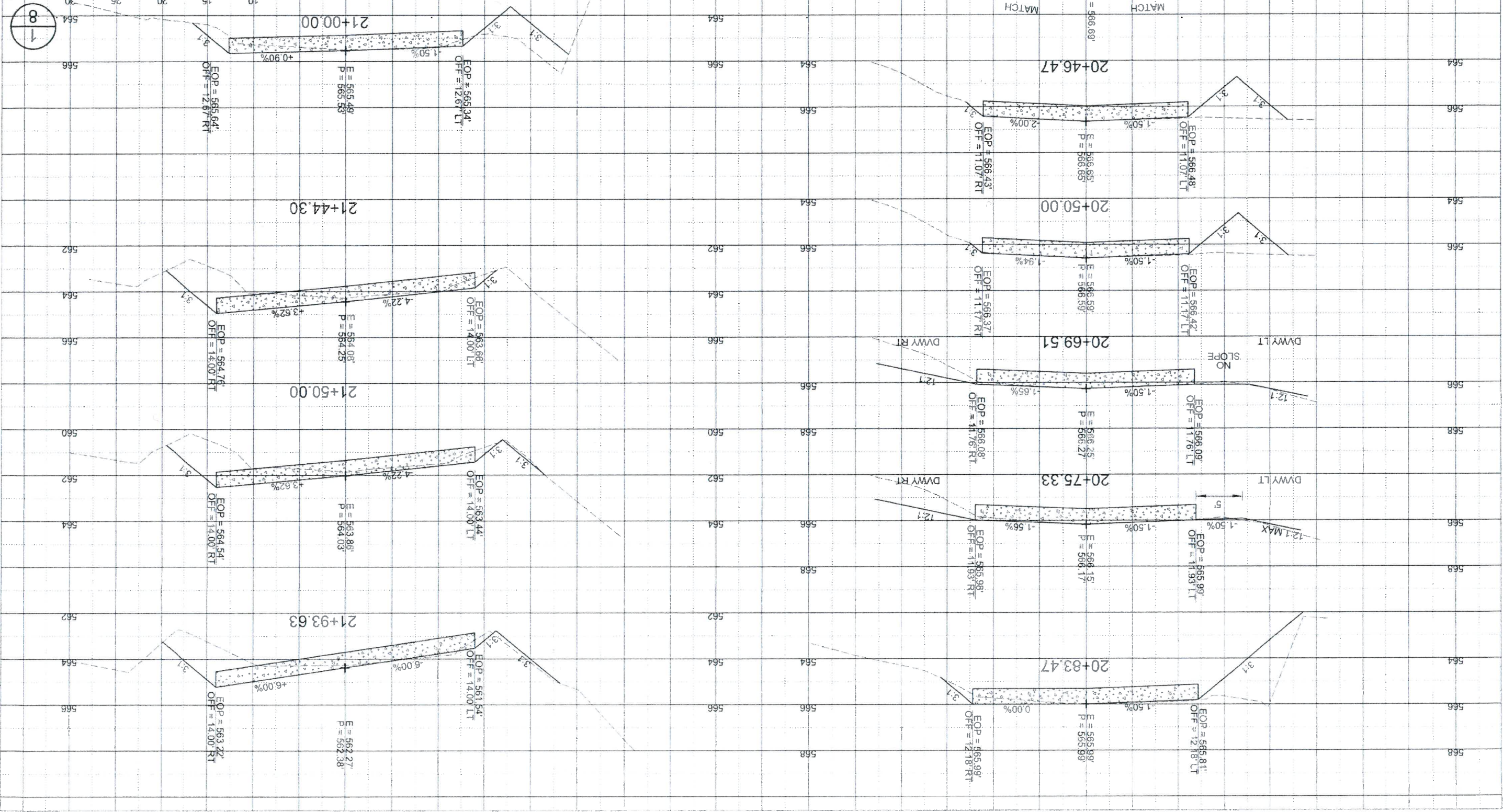
- NOTES:
- ① Match dimension on the appropriate Rail standard.
 - ② Posts(s) may require field modification to ensure proper guardrail height.

Details on this sheet are to be used in development of specific details for mounting traffic railing on cast-in-place walls. The specific details proposed must have strengths equivalent to those shown on this sheet. Areas of particular importance are the connection of the wall to the railing, the strength of the vertical leg connecting the railing to the concrete pavement, and the connection of the railing to the concrete pavement. Shop drawings for the traffic railing foundations must be submitted to the Engineer in accordance with the item "Retaining Wall". The shop drawings must include bar bending details. Anchor bolts and steel plate for railing shall be cast-in-place. Concrete must be Class "C". All reinforcing steel must be Grade 60. Longitudinal bars must be (#5), unless otherwise shown. MBGF wall mounting shall be considered subsidiary to the item "Retaining Wall". The railing will be paid for by the linear foot for the appropriate railing type.

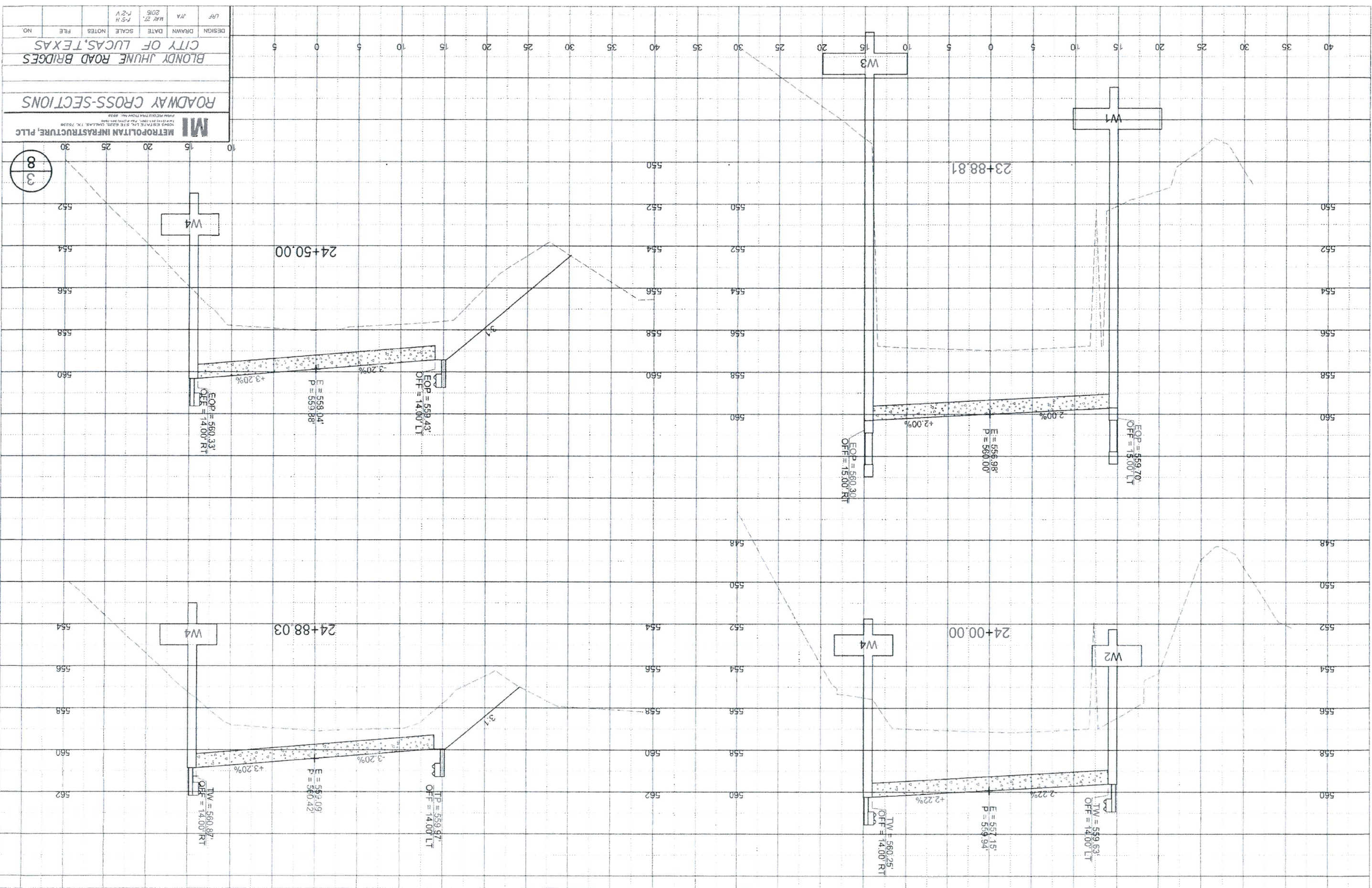
M
 METROPOLITAN INFRASTRUCTURE, PLLC
10001 WINTER MEADOWS DRIVE, SUITE 200, DALLAS, TX 75244
 PHONE: (214) 343-8800 FAX: (214) 343-8801

ROADWAY CROSS-SECTIONS
BLONDY JHUNE ROAD BRIDGES
CITY OF LUCAS, TEXAS

DESIGN	DATE	SCALE	NOTES	FILE	NO.
LFJ	JYA	1"=2'-0"			
DATE	DRAWN				
2016	MR 23				
7-5-H					



1
 8



DESIGN	DATE	SCALE	NOTES	FILE	NO.
DRAWN	DATE	SCALE	NOTES	FILE	NO.
JVA	MAR 27, 2016	1"=2'-0"			
LRF					

METROPOLITAN INFRASTRUCTURE, PLLC
 ROADWAY CROSS-SECTIONS
 CITY OF LUCAS, TEXAS
 BLONDY JHUNE ROAD BRIDGES

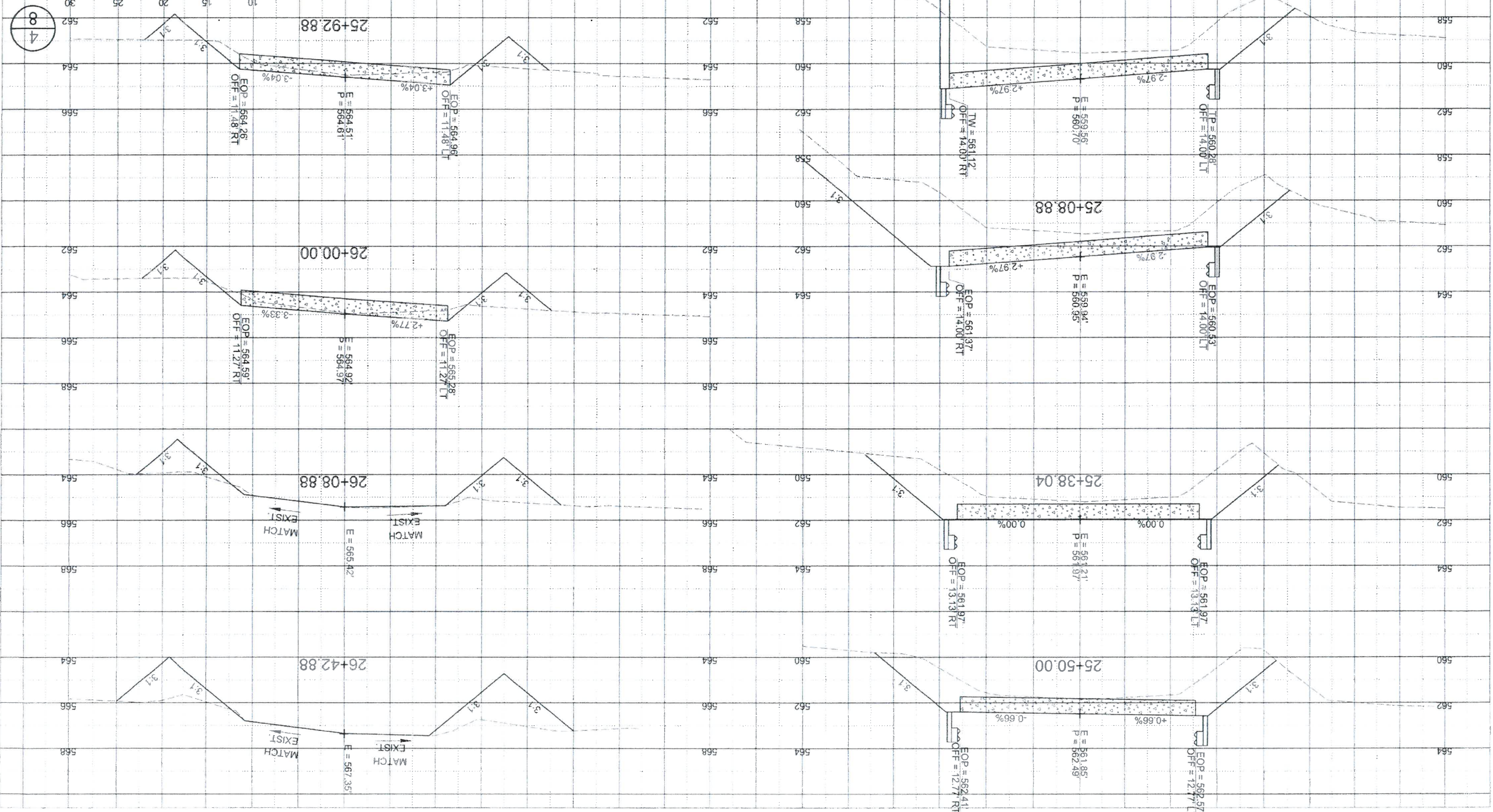
MI METROPOLITAN INFRASTRUCTURE, PLLC
15945 BRAYTON LANE, SUITE 200, DALLAS, TX 75244
 TEL: 972.961.1100 FAX: 972.961.1101
 WWW.MIINFRASTRUCTURE.COM

ROADWAY CROSS-SECTIONS

BLONDY JHUNE ROAD BRIDGES

CITY OF LUCAS, TEXAS

DESIGN NO.	FILE	NO.
DATE	SCALE	NOTES
DRAWN	DATE	SCALE
JVA	DATE	SCALE
DATE	SCALE	NOTES
DATE	SCALE	NOTES
DATE	SCALE	NOTES
DATE	SCALE	NOTES



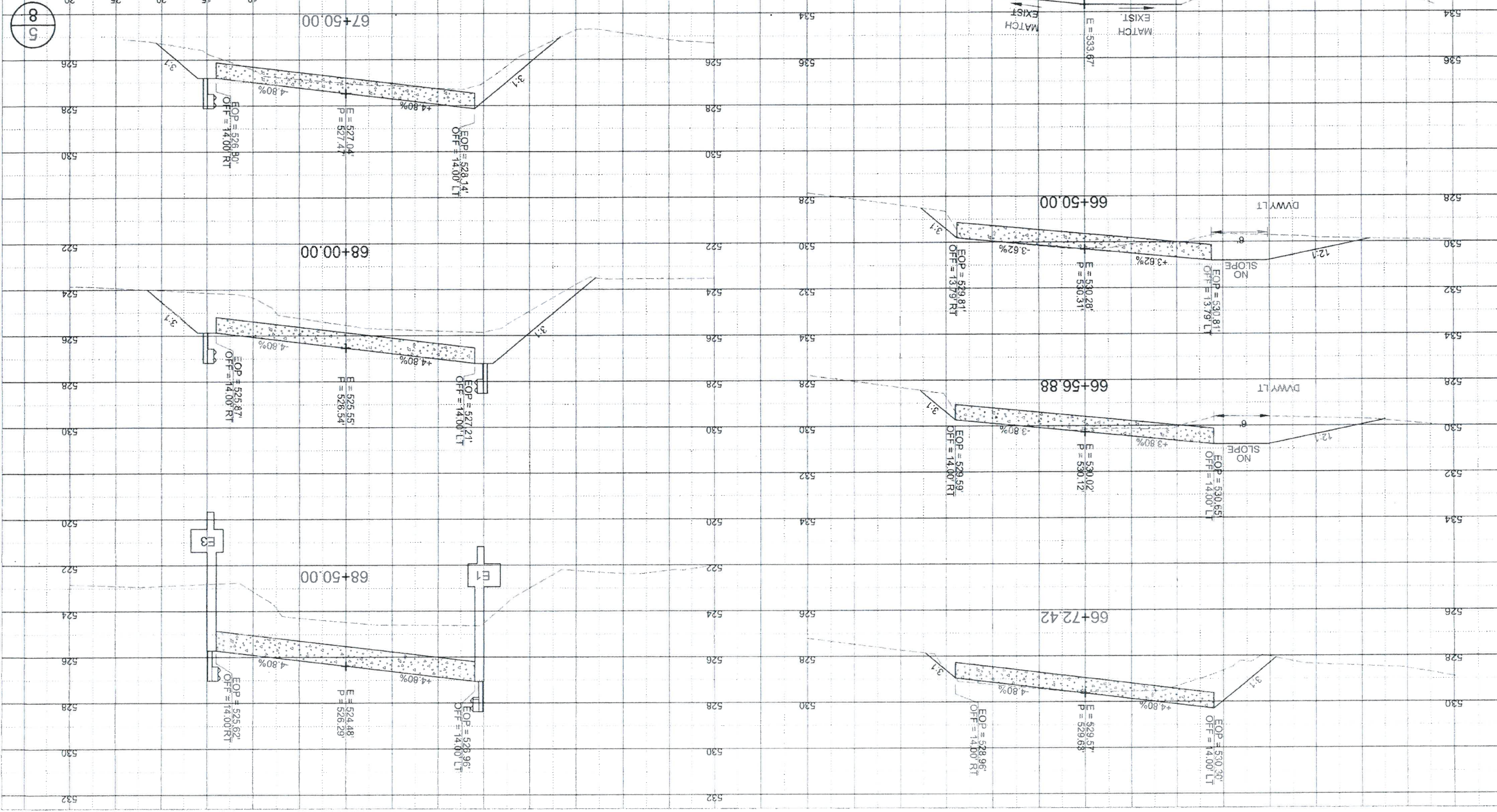
8/4

MI
METROPOLITAN INFRASTRUCTURE, PLLC
1065 EAST FM, STE 8225, DALLAS, TX 75248
PH: 972.412.1000 FAX: 972.412.1001

ROADWAY CROSS-SECTIONS

BLONDY JYUNE ROAD BRIDGES
CITY OF LUCAS, TEXAS

DESIGN	DATE	SCALE	NOTES	FILE	NO.
DRWN					
JYA	MAY 27, 2016	1"=2'-0"			
LRF					



8
5

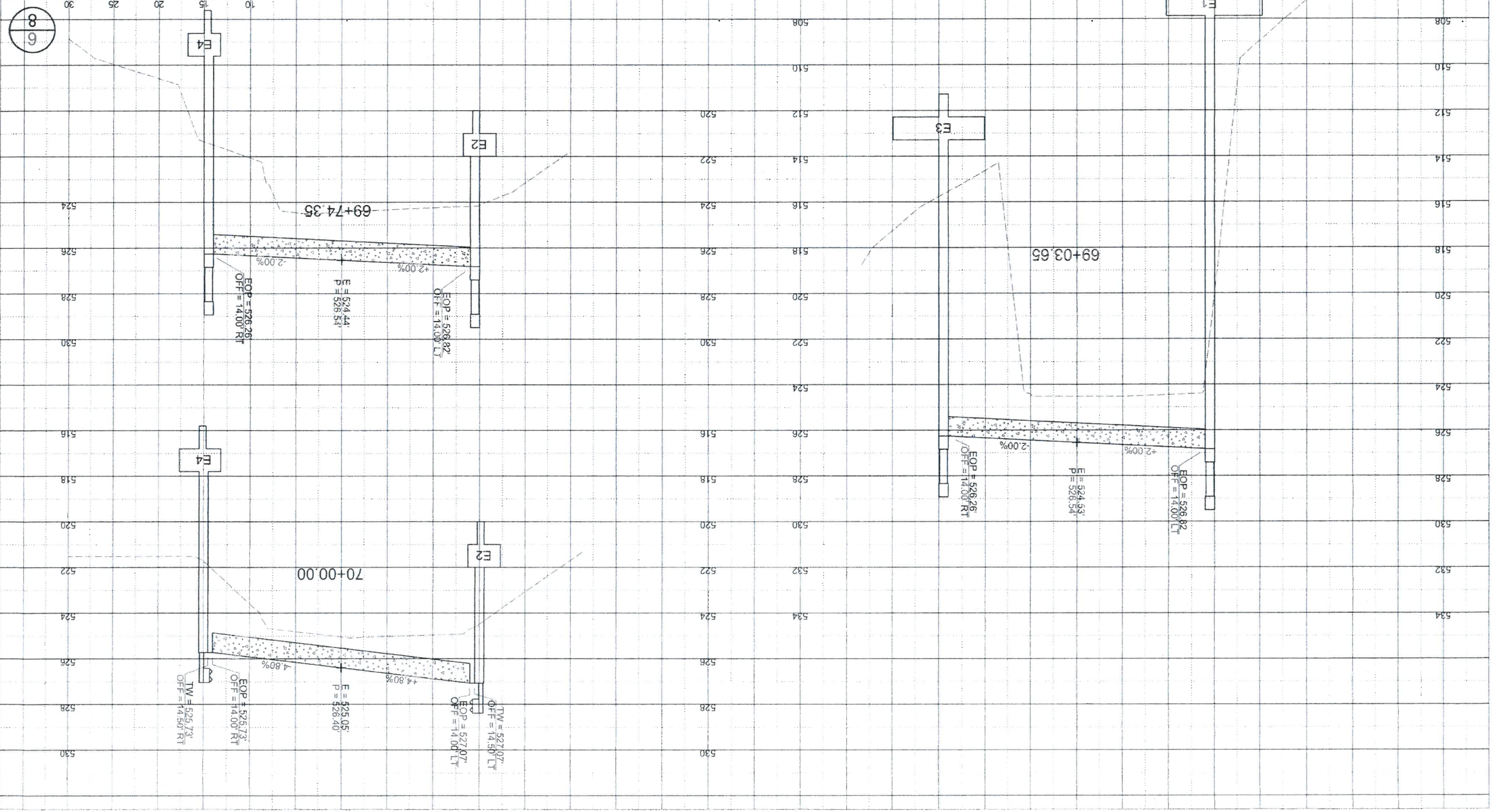
M
METROPOLITAN INFRASTRUCTURE, PLLC


10005 EASTWICK LN, STE 2000, DALLAS, TX 75228
PH: 972.342.1000 FAX: 972.342.1001

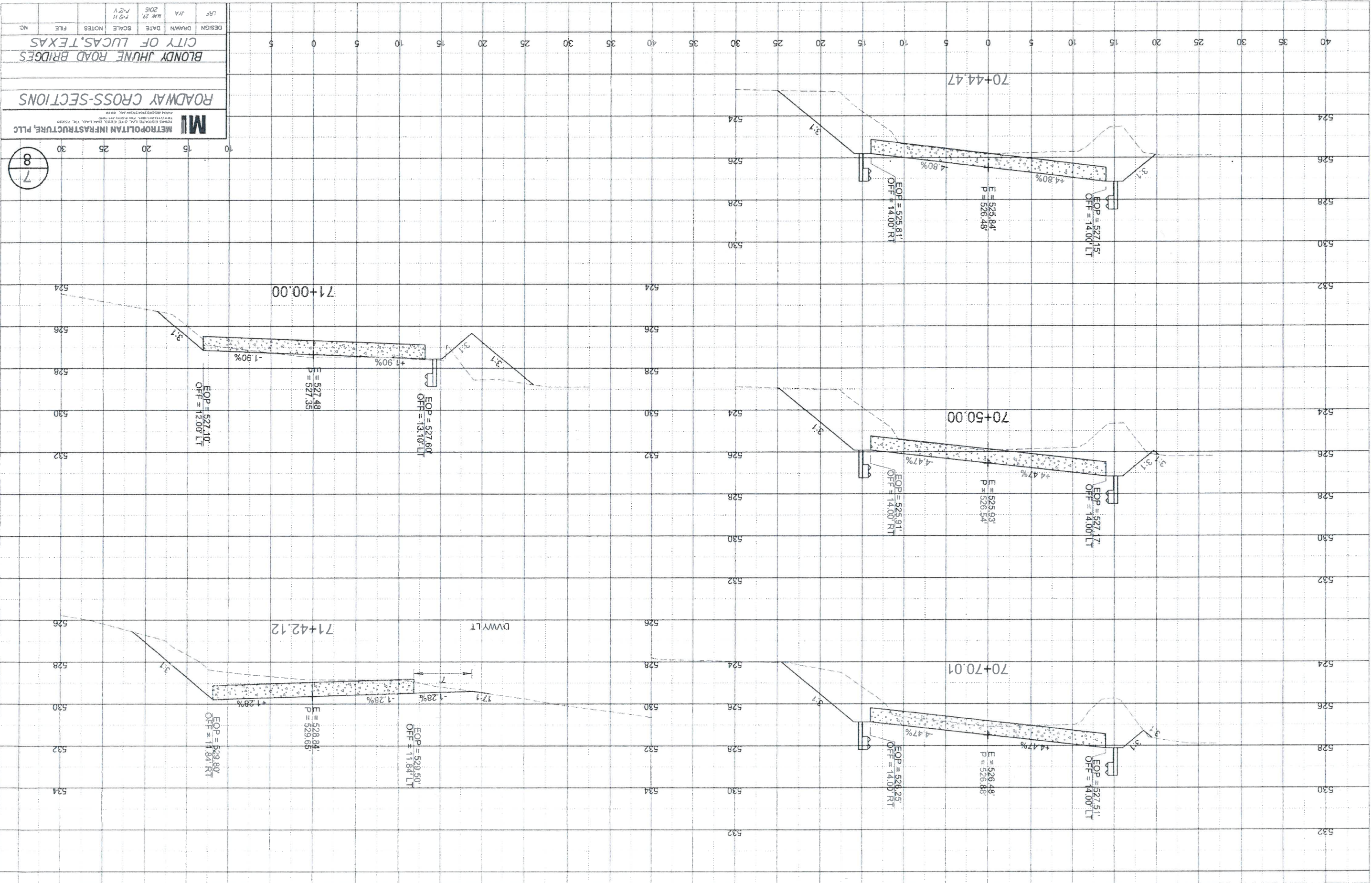
ROADWAY CROSS-SECTIONS


BLONDY JHUNE ROAD BRIDGES
CITY OF LUCAS, TEXAS

DESIGN	DATE	SCALE	NOTES	FILE	NO.
JFA	MAY 22, 2016	1'-2" V			
LPF					



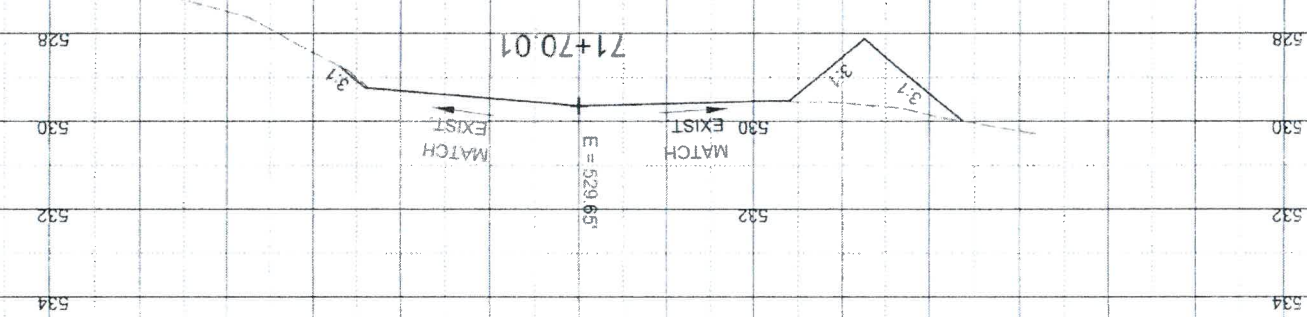
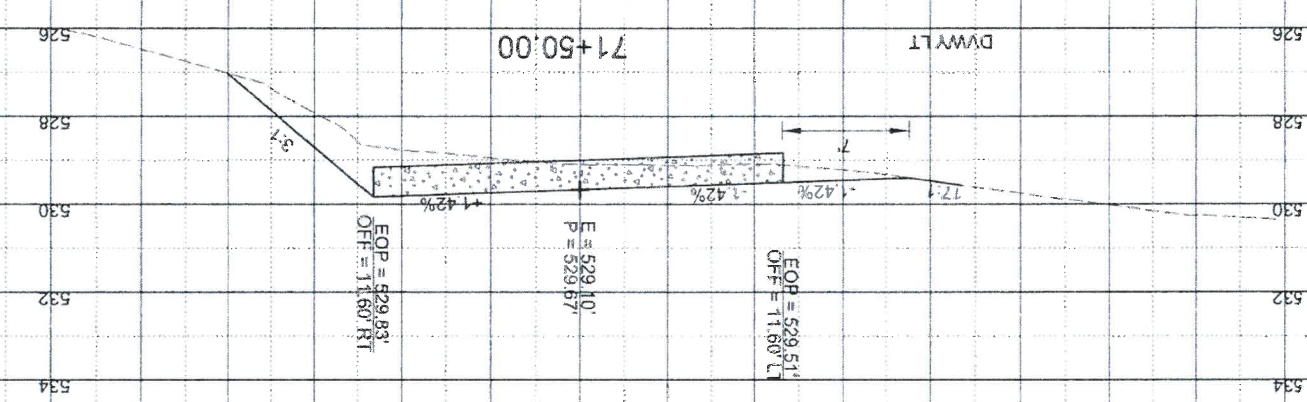
DESIGN	DATE	SCALE	NOTES	FILE	NO.
DRWN	DATE	SCALE	NOTES	FILE	NO.
JVA	MAR 27, 2016	1"=2'-0"			
LPF					
CITY OF LUCAS, TEXAS					
BLONDY JHUNE ROAD BRIDGES					
ROADWAY CROSS-SECTIONS					
 METROPOLITAN INFRASTRUCTURE, PLLC <small>10045 STATE LN., STE 6200, DALLAS, TX 75238 METROPOLITAN INFRASTRUCTURE, PLLC</small>					



DESIGN	DATE	SCALE	NOTES	FILE	NO.
UPF	01/11	1/8" = 1'-0"			
DRAWN	DATE	SCALE	NOTES	FILE	NO.
MA	01/11	1/8" = 1'-0"			
CITY OF LUCAS, TEXAS					
BLONDY JHUNE ROAD BRIDGES					
ROADWAY CROSS-SECTIONS					
 METROPOLITAN INFRASTRUCTURE, PLLC <small>10955 EASTWAY FLM, STE 8200, DALLAS, TX 75248 PHONE: 972.412.1000 FAX: 972.412.1001 WWW.MIINFRASTRUCTURE.COM</small>					

30	25	20	15	10
528				
530				
532				

40	35	30	25	20	15	10	5	0	5	10	15	20	25	30	35	40
----	----	----	----	----	----	----	---	---	---	----	----	----	----	----	----	----



526	528	530	532	534
528	530	532	534	
530	532	534		
532	534			
534				
530	532	534		
532	534			
534				