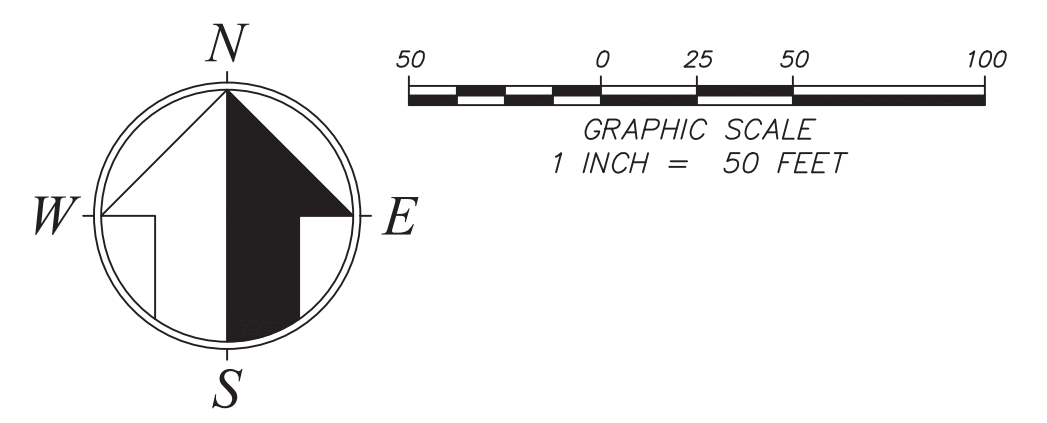


This 60% plan is preliminary and will change given public input, further design, and verification



- LEGEND**
- LIMIT OF WORK
 - PROPERTY LINE (2019 OBERKAMPER SURVEY)
 - FLOW LINE
 - EXISTING CONTOUR MAJOR 5' INTERVAL
 - EXISTING CONTOUR MINOR 1' INTERVAL
 - NEW BASIN CONTOUR MAJOR 5' INTERVAL
 - NEW BASIN CONTOUR MINOR 1' INTERVAL
 - PERIMETER ROAD
 - NEW V-DITCH
 - NEW FENCE (APPROXIMATE)
 - NEW AC AREA
 - NEW ROCK SLOPE PROTECTION AREA (INSIDE STORAGE BASIN)
 - ⊕ SET BENCHMARK POINT
 - ⊙ LIGHT RSX2 (300 WATT)
 - ⊙ LIGHT HLF2 (1000 WATT)
 - ⊙ EXISTING TREE

Attention:
 0 1"
 If this scale bar does not measure 1" then drawing is not original scale.

NO.	DATE	ISSUE/REVISION	APP
0			

Stetson Engineers Inc.
 2171 E. Francisco Blvd., Suite K
 San Rafael, CA. 94901
 (415) 457-0701
 Project Number: 2706
 Date: December 6, 2019

Designed: G.T. / J.F.
 Checked: J.F. / J.D. / J.R.
 Drawn: G.T.
 Approved:

MARIN COUNTY
 FLOOD CONTROL & WATER CONSERVATION DISTRICT
 3501 CIVIC CENTER DR. ROOM 304 SAN RAFAEL CALIFORNIA 94903
 Project Number:

SAN ANSELMO FLOOD RISK REDUCTION PROJECT
 FLOOD DIVERSION STORAGE SITE
 FAIRFAX, CA

SITE PLAN

DWG NO.
C-5

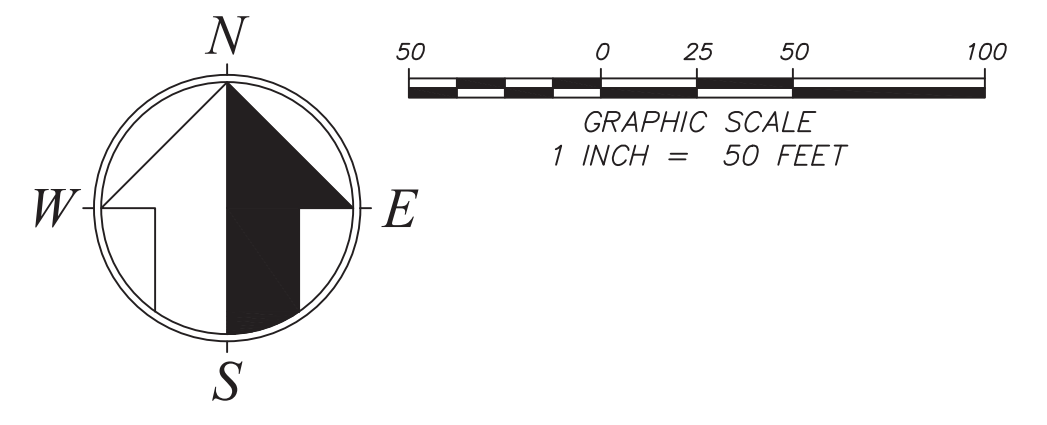
SHEET NO.
9 of 77

This 60% plan is preliminary and will change given public input, further design, and verification

This 60% plan is preliminary and will change given public input, further design, and verification



PHASE1 60% Submittal



- LEGEND:**
- PROPERTY LINE
 - FLOW LINE
 - EXISTING CONTOUR MAJOR 5' INTERVAL
 - EXISTING CONTOUR MINOR 1' INTERVAL
 - [---] ENVIRONMENTAL RESOURCE EXCLUSION ZONE
 - (18) EXISTING TREE W/ DIAMETER IN INCHES
 - (X) EXISTING TREE TO BE REMOVED

Attention:
 0 1"
 If this scale bar does not measure 1" then drawing is not original scale.

NO.	DATE	ISSUE/REVISION	APP
0			

Stetson Engineers Inc.
 2171 E. Francisco Blvd., Suite K
 San Rafael, CA, 94901
 (415) 457-0701
 Project Number: 2706
 Date: December 6, 2019

Designed: G.T. / J.F.
 Checked: J.F. / J.D. / J.R.
 Drawn: G.T.
 Approved:



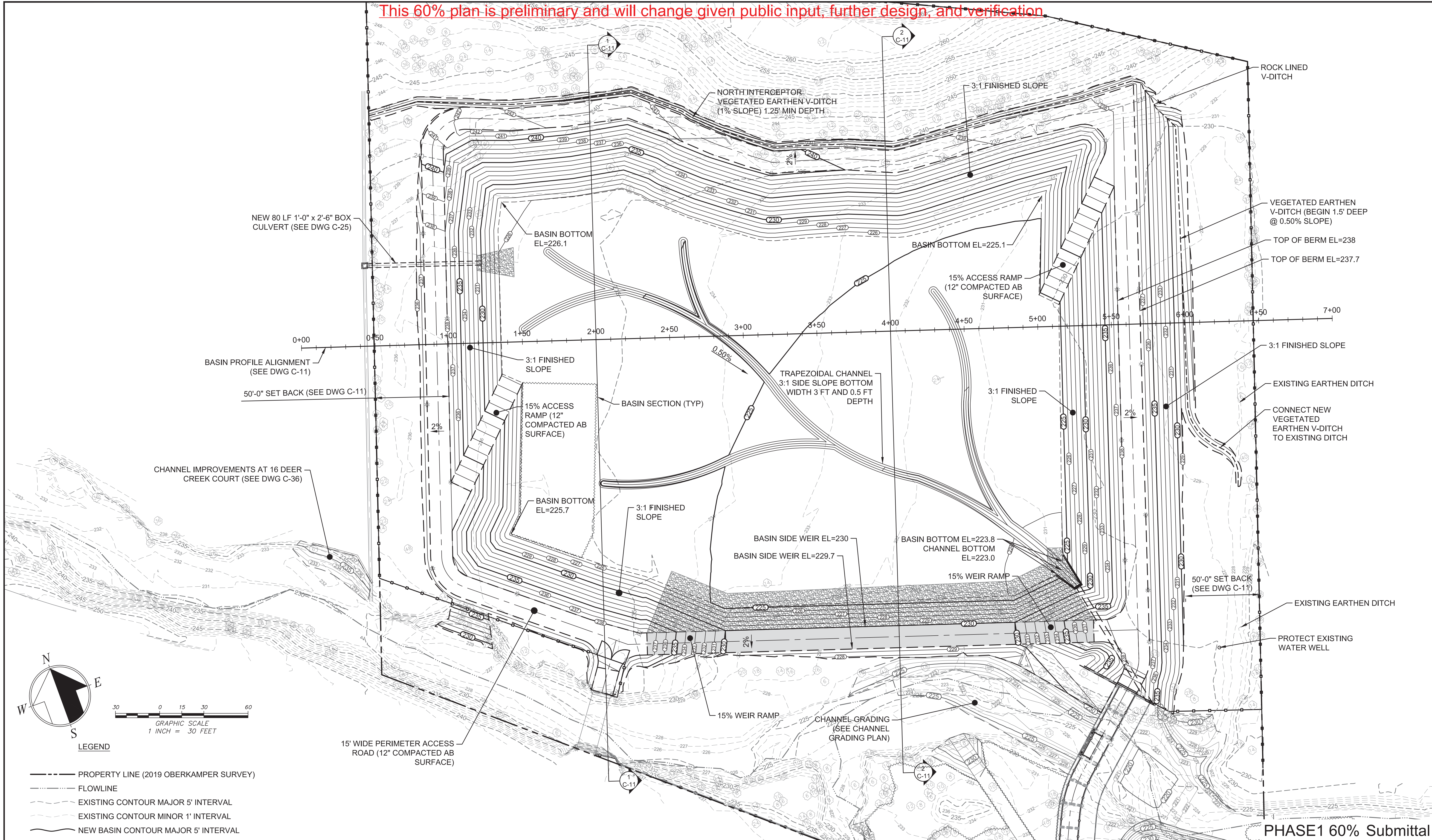
MARIN COUNTY
 FLOOD CONTROL & WATER CONSERVATION DISTRICT
 3501 CIVIC CENTER DR. ROOM 304 SAN RAFAEL CALIFORNIA 94903
 Project Number:

SAN ANSELMO FLOOD RISK REDUCTION PROJECT
 FLOOD DIVERSION STORAGE SITE
 FAIRFAX, CA
TREE REMOVAL PLAN

DWG NO.
C-7
 SHEET NO.
 11 of 77

This 60% plan is preliminary and will change given public input, further design, and verification

This 60% plan is preliminary and will change given public input, further design, and verification



PHASE1 60% Submittal

- LEGEND**
- PROPERTY LINE (2019 OBERKAMPER SURVEY)
 - FLOWLINE
 - - - EXISTING CONTOUR MAJOR 5' INTERVAL
 - - - EXISTING CONTOUR MINOR 1' INTERVAL
 - NEW BASIN CONTOUR MAJOR 5' INTERVAL
 - NEW BASIN CONTOUR MINOR 1' INTERVAL
 - (16) TREE WITH DIAMETER (VARIES) (TYP)
 - == PERIMETER ROAD
 - PERIMETER ROAD CENTERLINE
 - - - NEW V-DITCH
 - GRADING BOUNDARY (FOR STORAGE BASIN)

NO.	DATE	ISSUE/REVISION	APP
0			

Attention:
 If this scale bar does not measure 1" then drawing is not original scale.

Stetson Engineers Inc.
 2171 E. Francisco Blvd., Suite K
 San Rafael, CA. 94901
 (415) 457-0701
 Project Number: 2706
 Date: December 6, 2019

Designed: G.T. / J.F.
 Checked: J.F. / J.D. / J.R.
 Drawn: G.T.
 Approved:

MARIN COUNTY
 FLOOD CONTROL & WATER CONSERVATION DISTRICT
 3501 CIVIC CENTER DR. ROOM 304 SAN RAFAEL CALIFORNIA 94903
 Project Number:

SAN ANSELMO FLOOD RISK REDUCTION PROJECT
 FLOOD DIVERSION STORAGE SITE
 FAIRFAX, CA

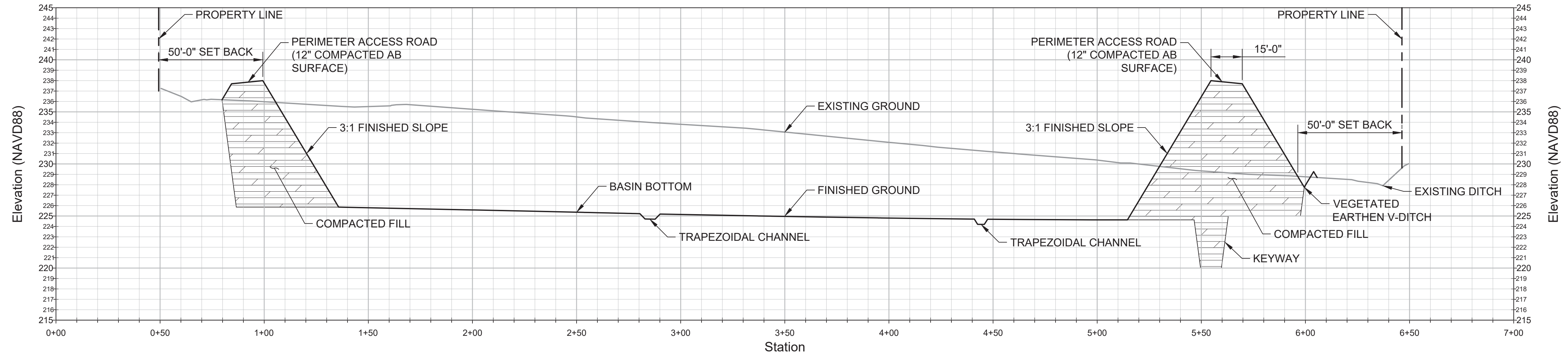
BASIN GRADING PLAN

DWG NO.
C-9

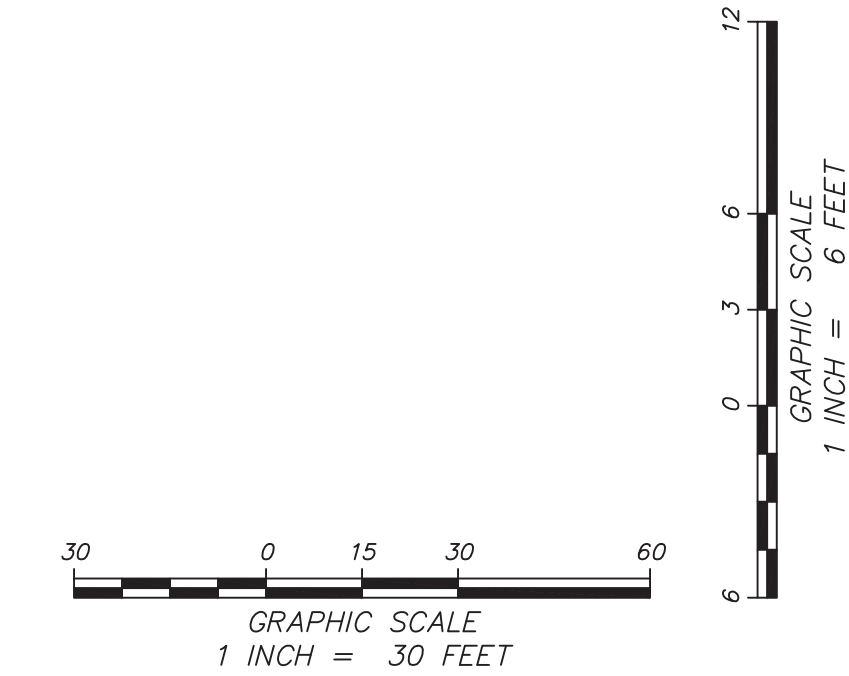
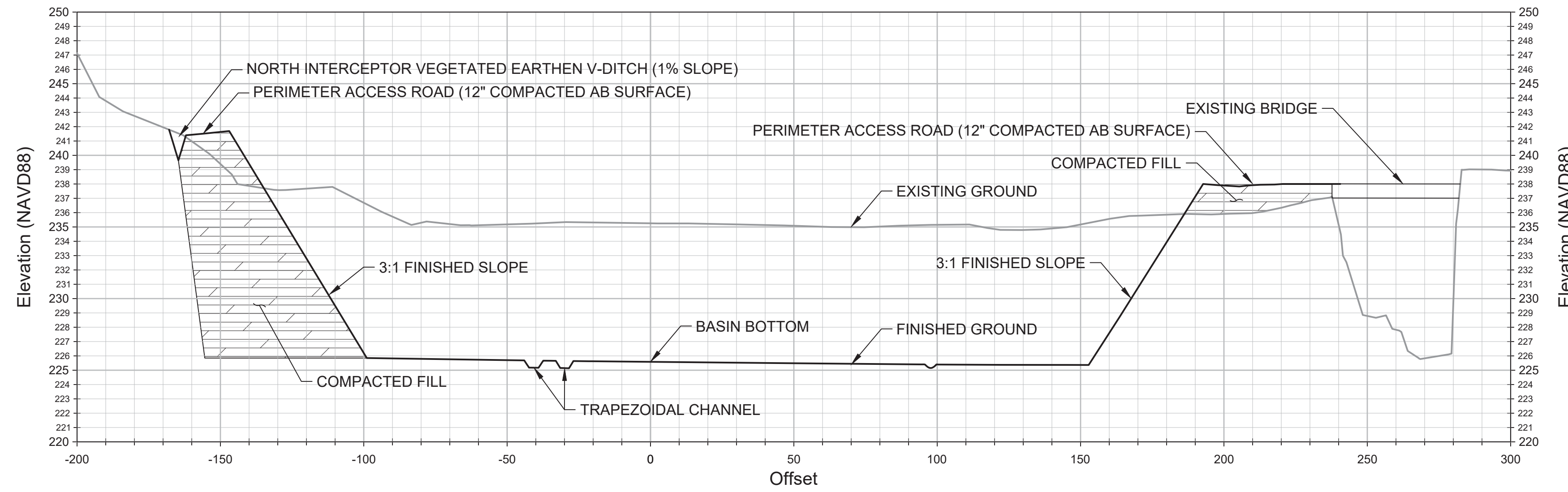
SHEET NO.
 13 of 77

This 60% plan is preliminary and will change given public input, further design, and verification

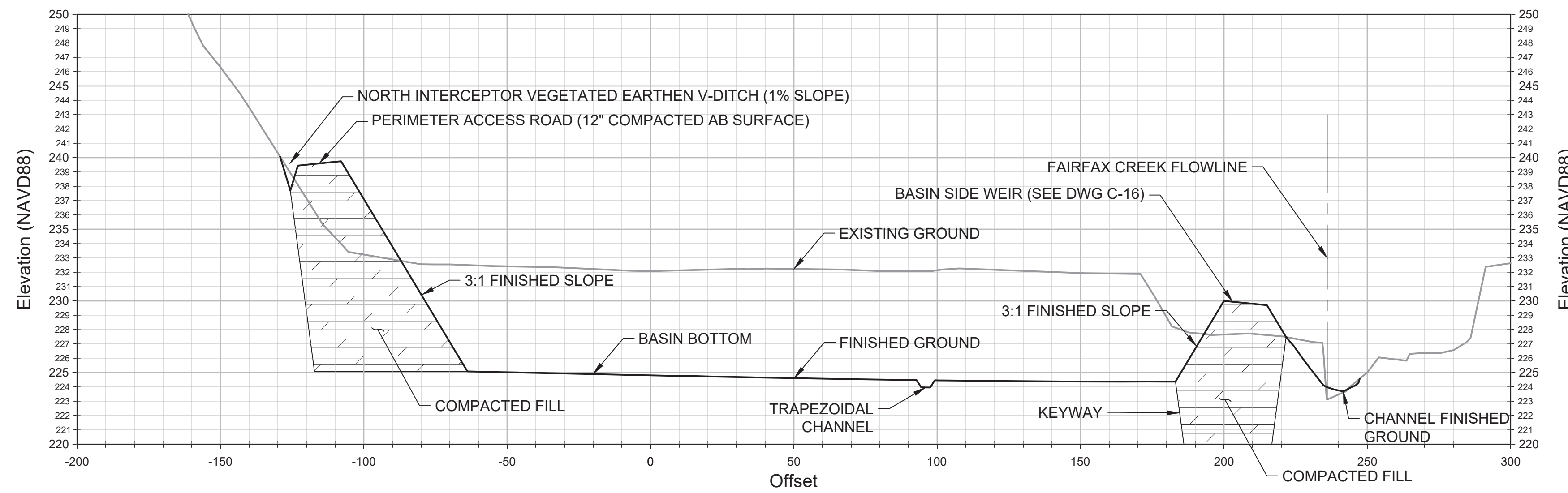
STORAGE BASIN PROFILE



SECTION 1 - STA: 2+00



SECTION 2 - STA: 4+00



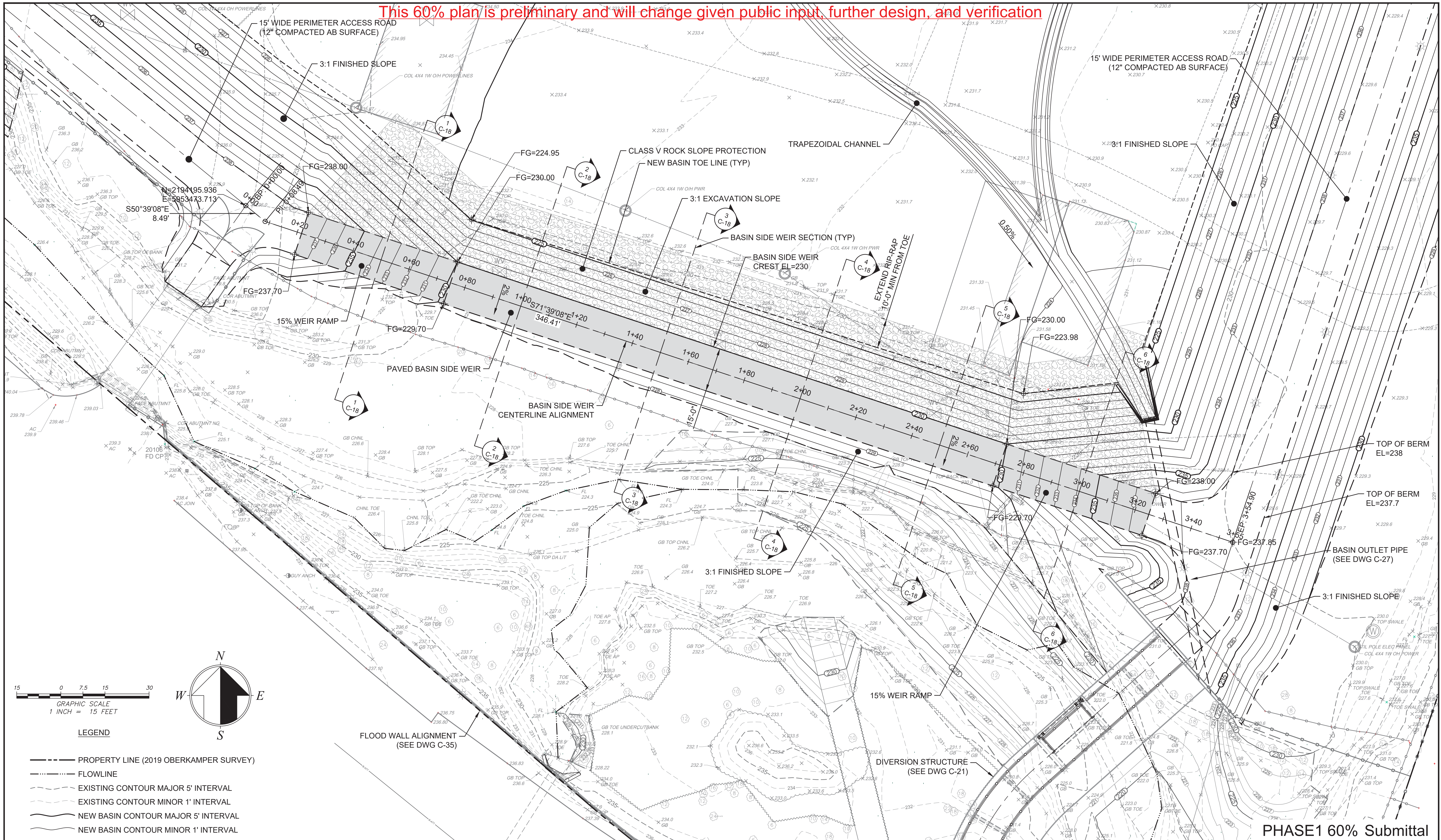
LEGEND

	EXISTING GROUND
	FINISHED GROUND

PHASE1 60% Submittal

Attention: If this scale bar does not measure 1" then drawing is not original scale.				Stetson Engineers Inc. 2171 E. Francisco Blvd., Suite K San Rafael, CA. 94901 (415) 457-0701 Project Number: 2706 Date: December 6, 2019	Designed: G.T. / J.F. Checked: J.F. / J.D. / J.R. Drawn: G.T. Approved:	 MARIN COUNTY FLOOD CONTROL & WATER CONSERVATION DISTRICT 3501 CIVIC CENTER DR. ROOM 304 SAN RAFAEL CALIFORNIA 94903 Project Number:	SAN ANSELMO FLOOD RISK REDUCTION PROJECT FLOOD DIVERSION STORAGE SITE FAIRFAX, CA	DWG NO. C-11						
	<table border="1"> <thead> <tr> <th>NO.</th> <th>DATE</th> <th>ISSUE/REVISION</th> <th>APP</th> </tr> </thead> <tbody> <tr> <td>0</td> <td></td> <td></td> <td></td> </tr> </tbody> </table>	NO.	DATE	ISSUE/REVISION	APP	0								
NO.	DATE	ISSUE/REVISION	APP											
0														

This 60% plan is preliminary and will change given public input, further design, and verification



PHASE1 60% Submittal

NO.	DATE	ISSUE/REVISION	APP
0			

Attention:

If this scale bar does not measure 1" then drawing is not original scale.

Stetson Engineers Inc.
 2171 E. Francisco Blvd., Suite K
 San Rafael, CA. 94901
 (415) 457-0701
 Project Number: 2706
 Date: December 6, 2019

Designed: G.T. / J.F.
 Checked: J.F. / J.D. / J.R.
 Drawn: G.T.
 Approved:

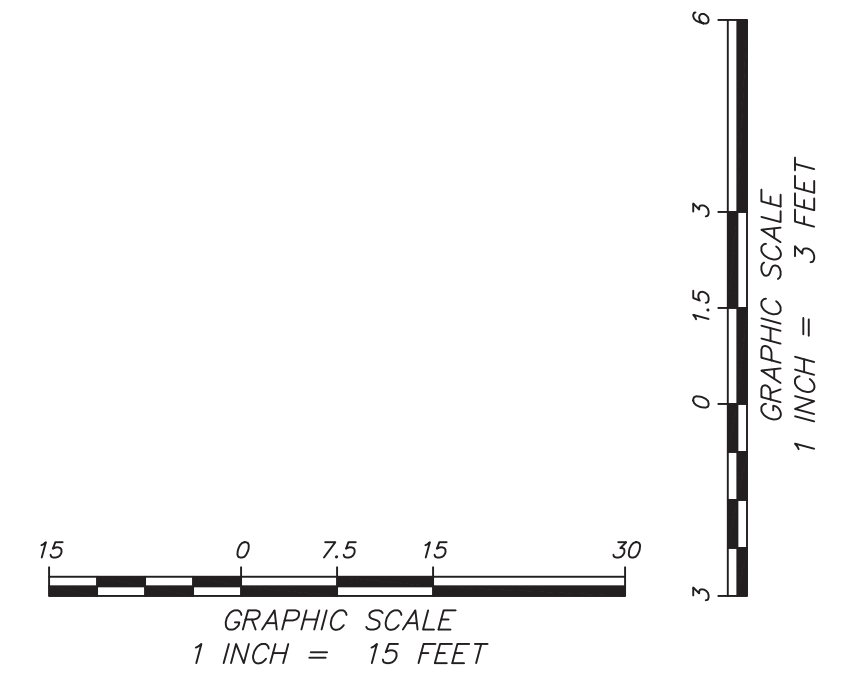
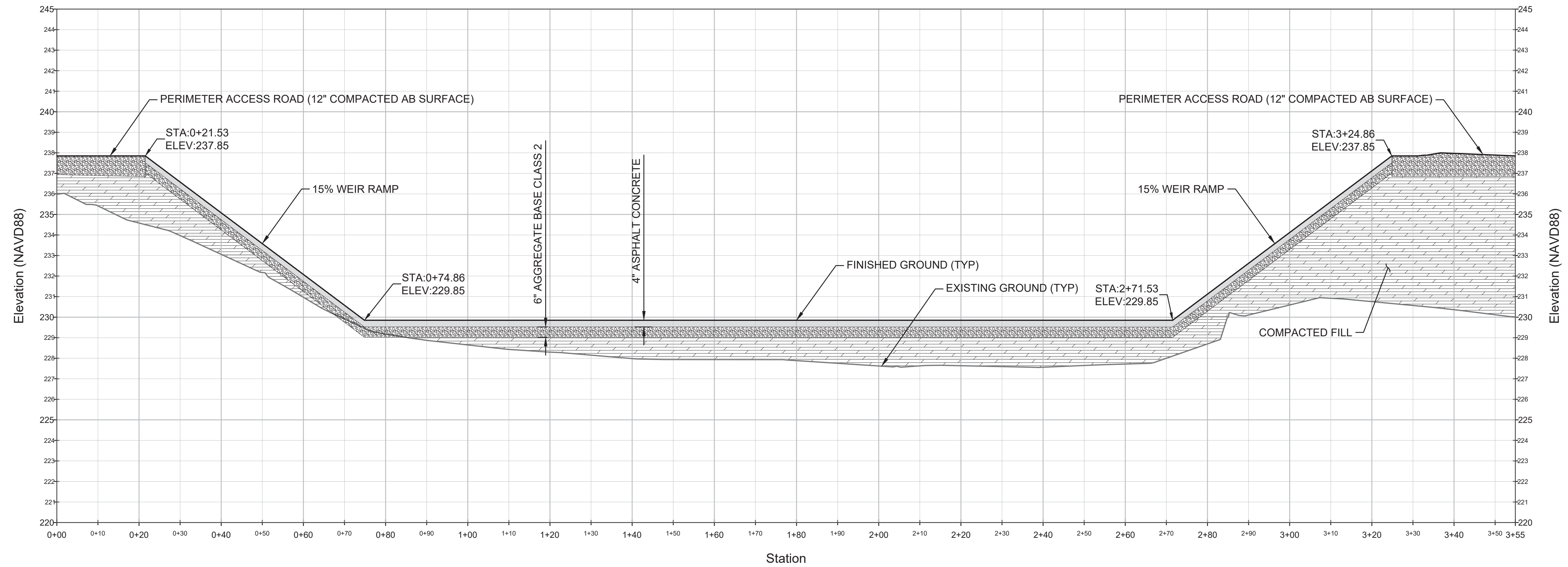
MARIN COUNTY
 FLOOD CONTROL & WATER CONSERVATION DISTRICT
 3501 CIVIC CENTER DR. ROOM 304 SAN RAFAEL CALIFORNIA 94903
 Project Number:

SAN ANSELMO FLOOD RISK REDUCTION PROJECT
 FLOOD DIVERSION STORAGE SITE
 FAIRFAX, CA
BASIN SIDE WEIR - PLAN

DWG NO.
C-16
 SHEET NO.
 20 of 77

This 60% plan is preliminary and will change given public input, further design, and verification

BASIN SIDE WEIR CENTERLINE PROFILE



LEGEND

- EXISTING GROUND
- FINISHED GROUND

NO.	DATE	ISSUE/REVISION	APP
0			

Stetson Engineers Inc.
 2171 E. Francisco Blvd., Suite K
 San Rafael, CA, 94901
 (415) 457-0701
 Project Number: 2706
 Date: December 6, 2019

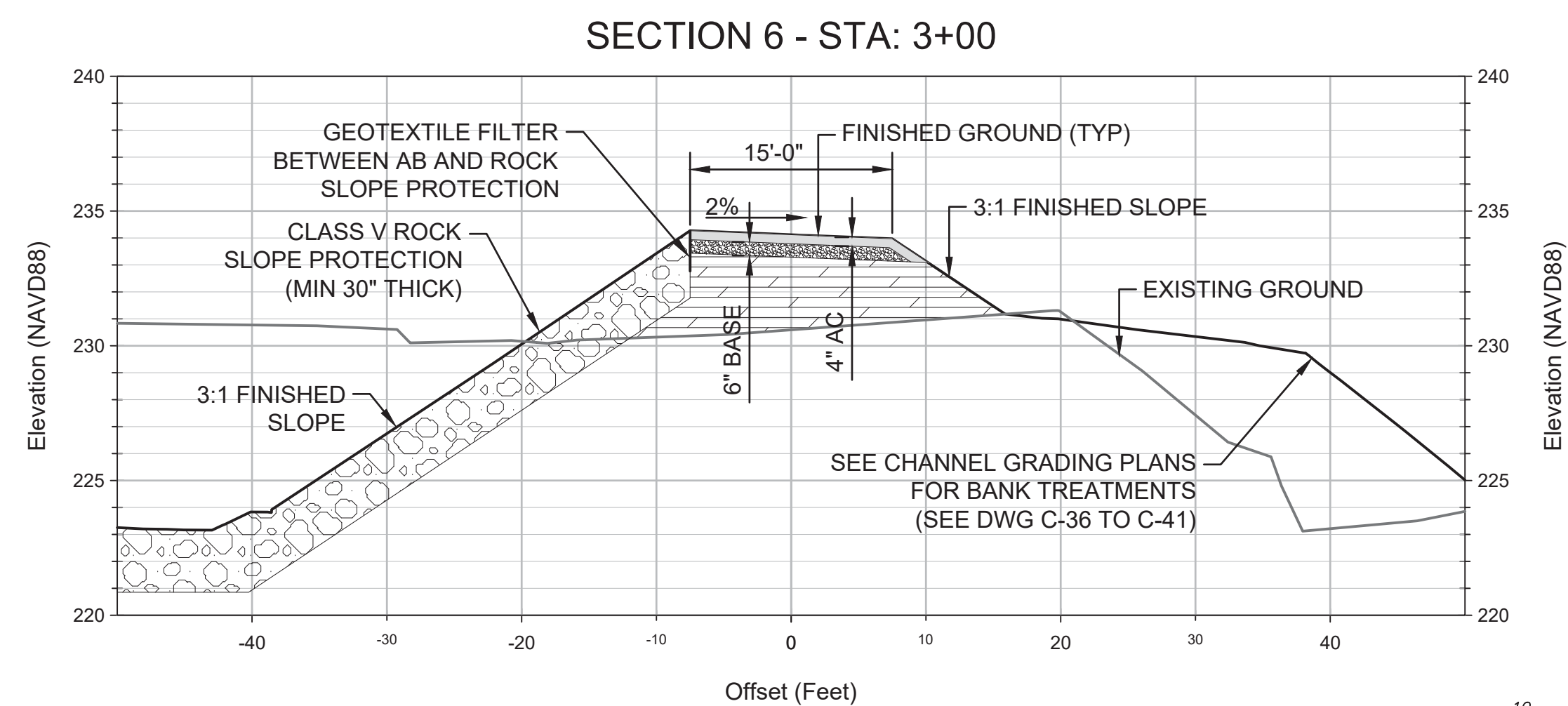
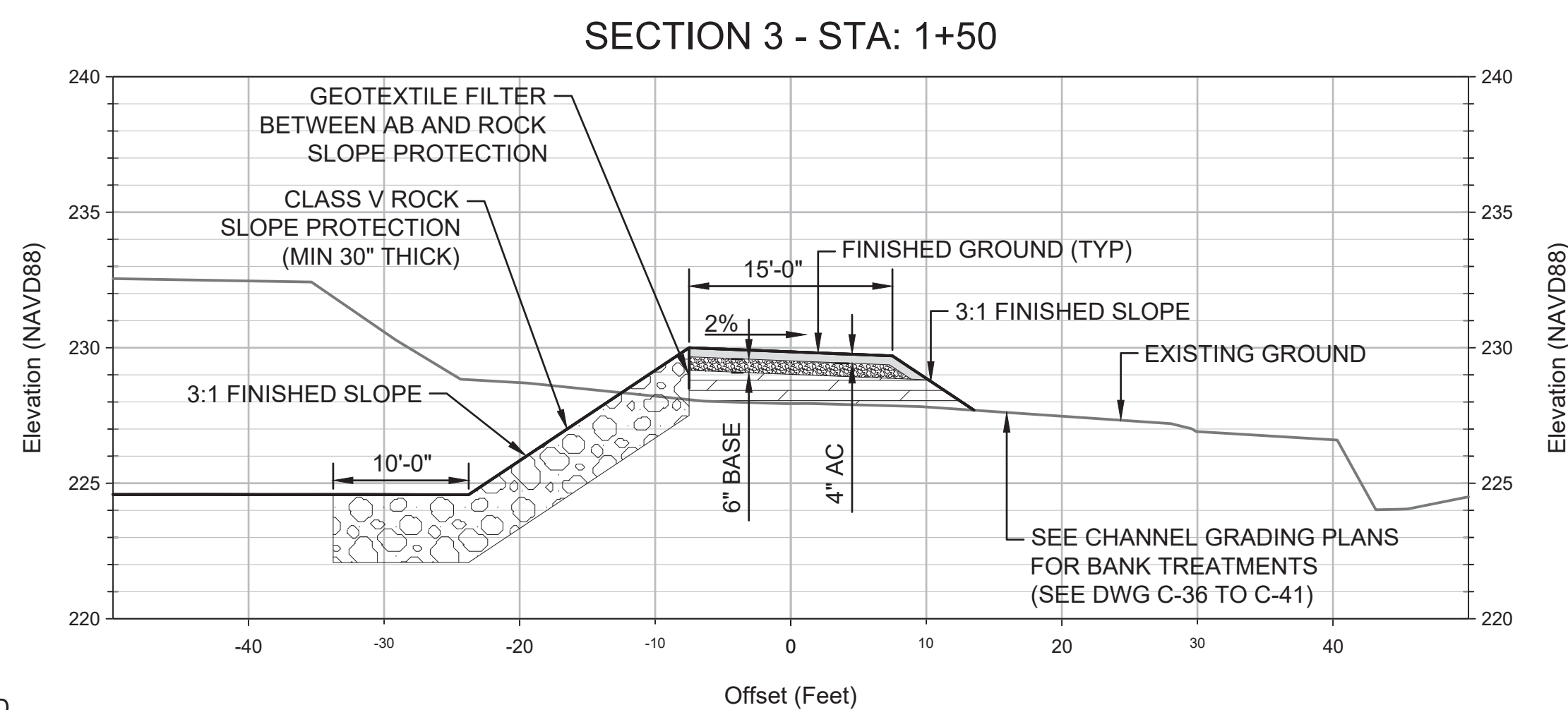
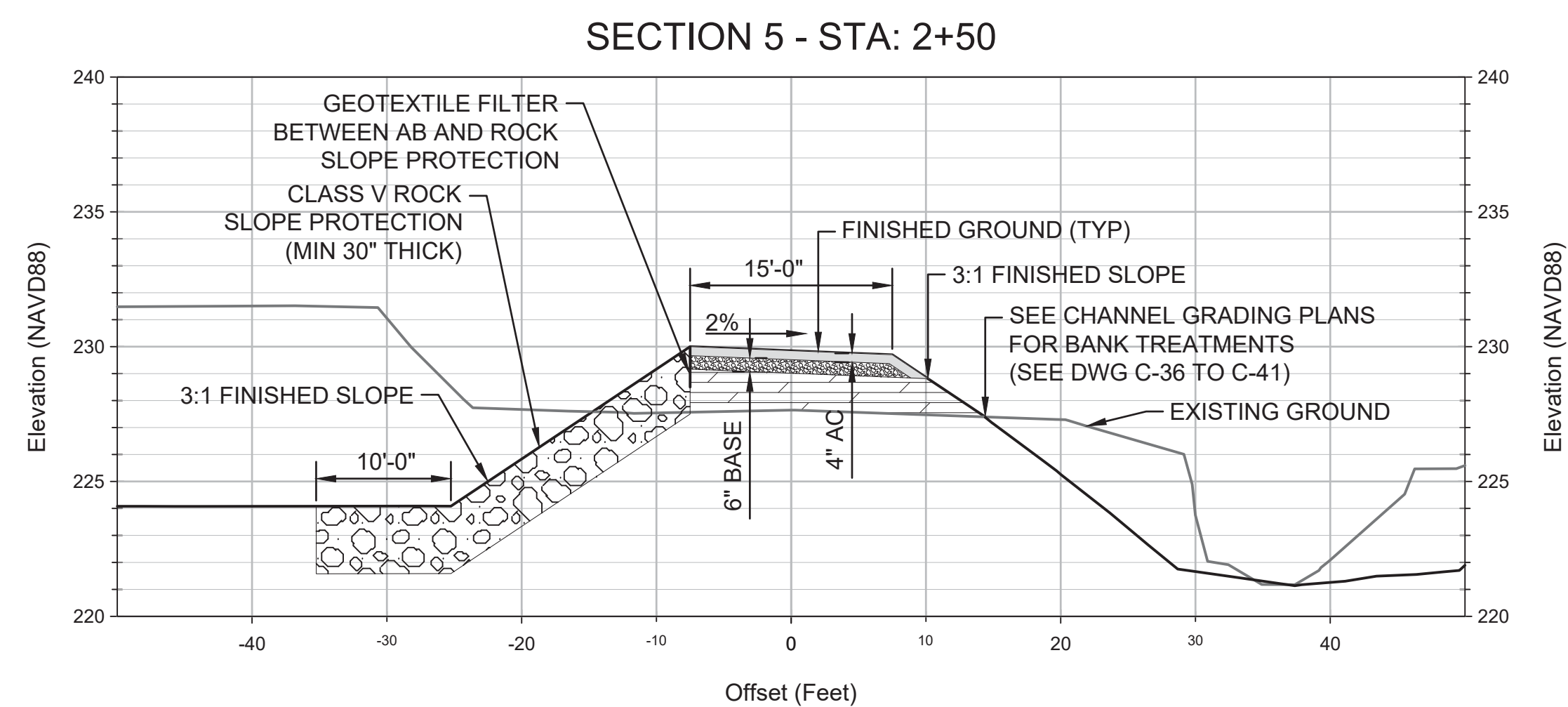
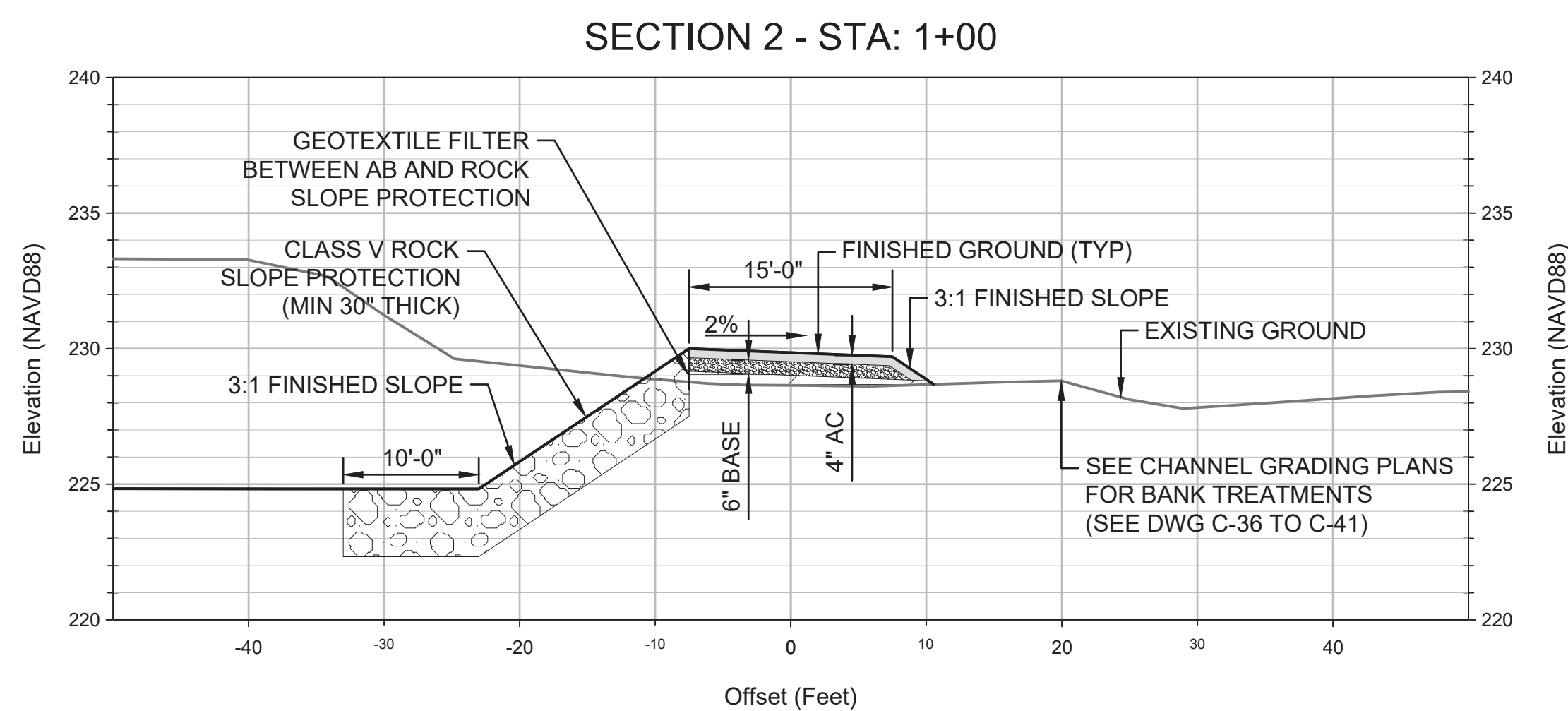
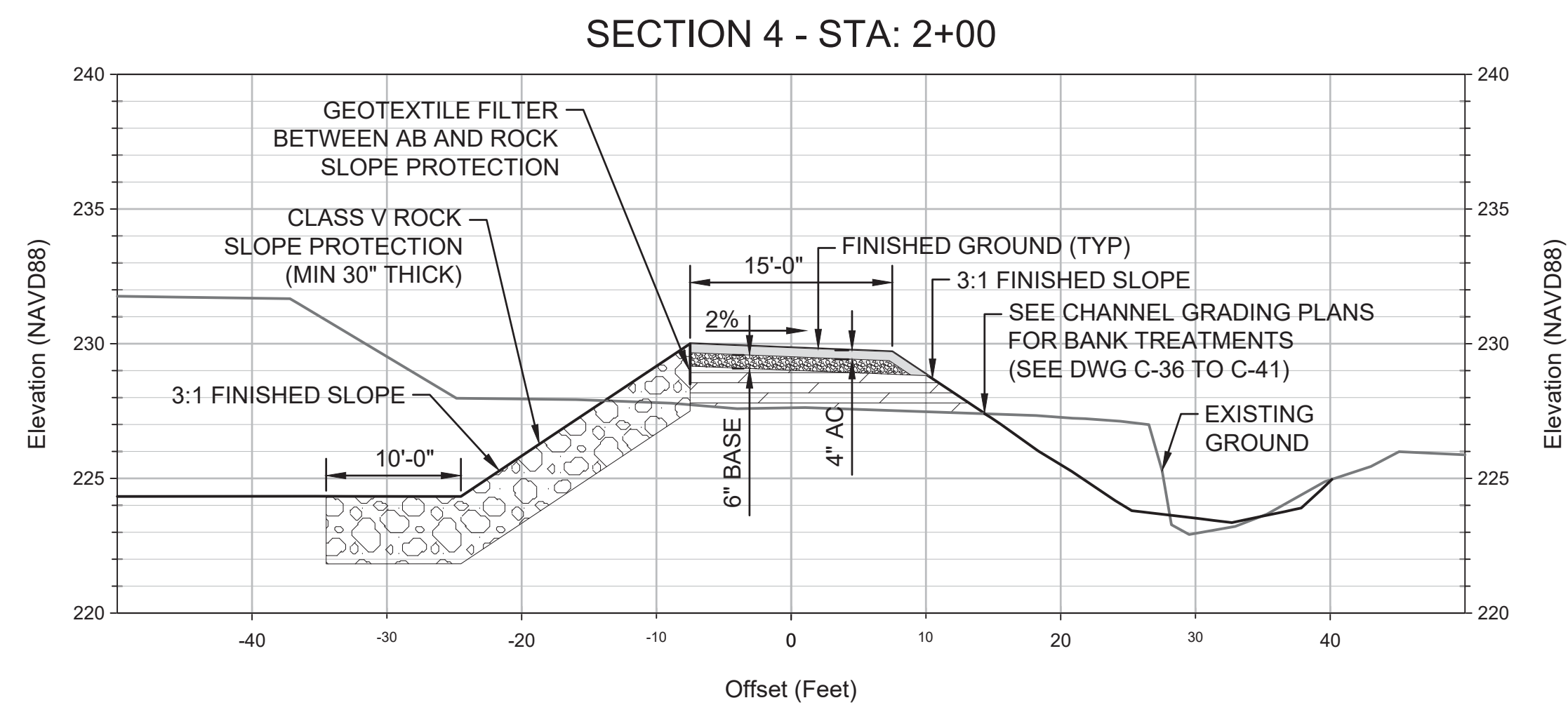
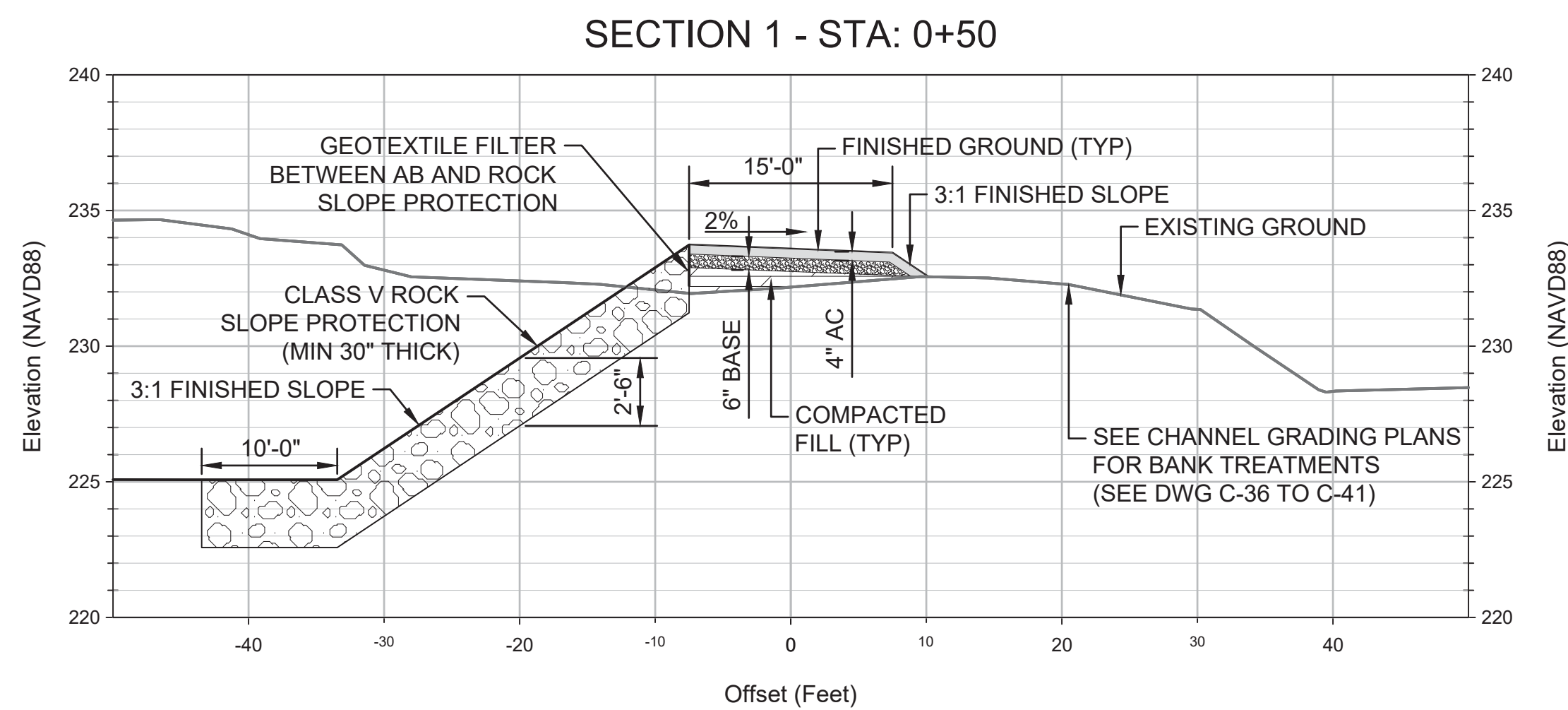
Designed: G.T. / J.F.
 Checked: J.F. / J.D. / J.R.
 Drawn: G.T.
 Approved:

MARIN COUNTY
 FLOOD CONTROL & WATER CONSERVATION DISTRICT
 3501 CIVIC CENTER DR, ROOM 304 SAN RAFAEL CALIFORNIA 94903
 Project Number:

SAN ANSELMO FLOOD RISK REDUCTION PROJECT
 FLOOD DIVERSION STORAGE SITE
 FAIRFAX, CA
 BASIN SIDE WEIR - PROFILE

DWG NO.
C-17
 SHEET NO.
 21 of 77

This 60% plan is preliminary and will change given public input, further design, and verification



LEGEND

- EXISTING GROUND
- FINISHED GROUND

Attention:			
<p>If this scale bar does not measure 1" then drawing is not original scale.</p>			
NO.	DATE	ISSUE/REVISION	APP

Stetson Engineers Inc.

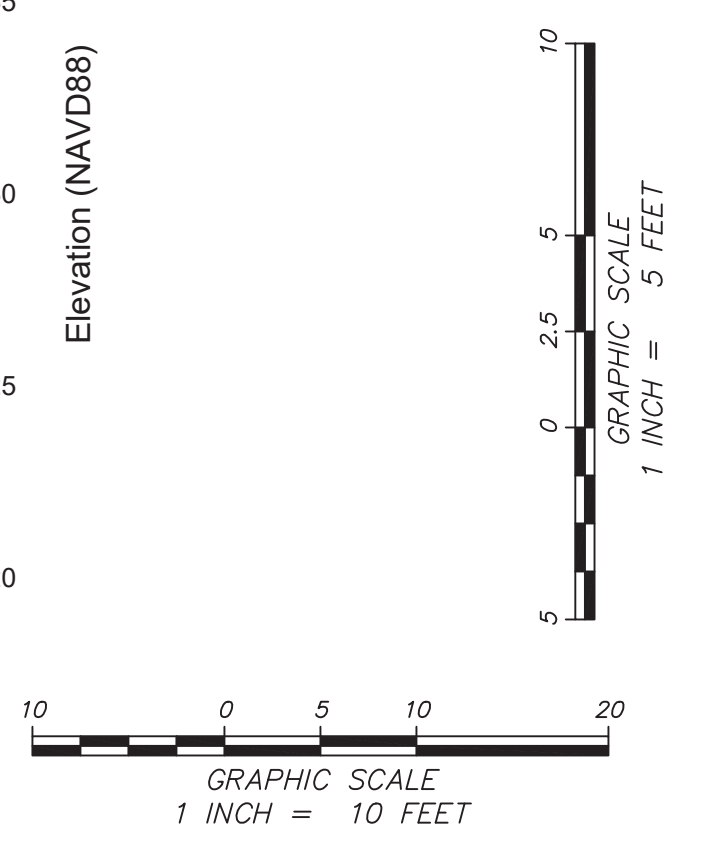
 2171 E. Francisco Blvd., Suite K
 San Rafael, CA. 94901
 (415) 457-0701
 Project Number: 2706
 Date: December 6, 2019

Designed: G.T. / J.F.
 Checked: J.F. / J.D. / J.R.
 Drawn: G.T.
 Approved:

MARIN COUNTY
 FLOOD CONTROL & WATER CONSERVATION DISTRICT
 3501 CIVIC CENTER DR. ROOM 304 SAN RAFAEL CALIFORNIA 94903
 Project Number:

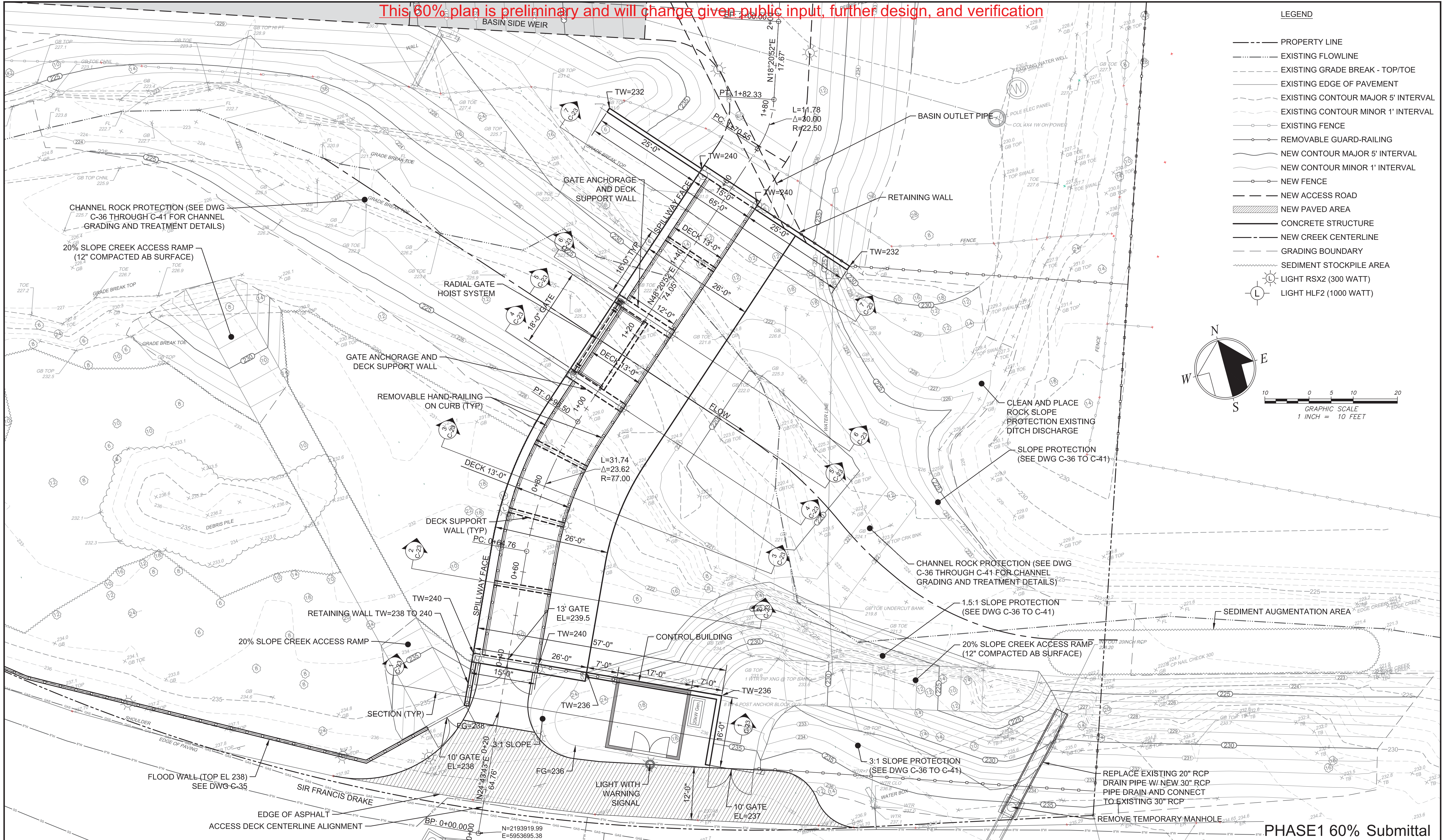
SAN ANSELMO FLOOD RISK REDUCTION PROJECT
 FLOOD DIVERSION STORAGE SITE
 FAIRFAX, CA
BASIN SIDE WEIR - SECTIONS

DWG NO.
C-18
 SHEET NO.
22 of 77



This 60% plan is preliminary and will change given public input, further design, and verification

This 60% plan is preliminary and will change given public input, further design, and verification

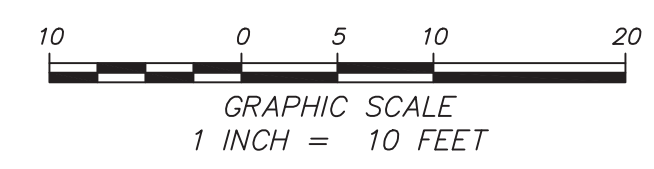
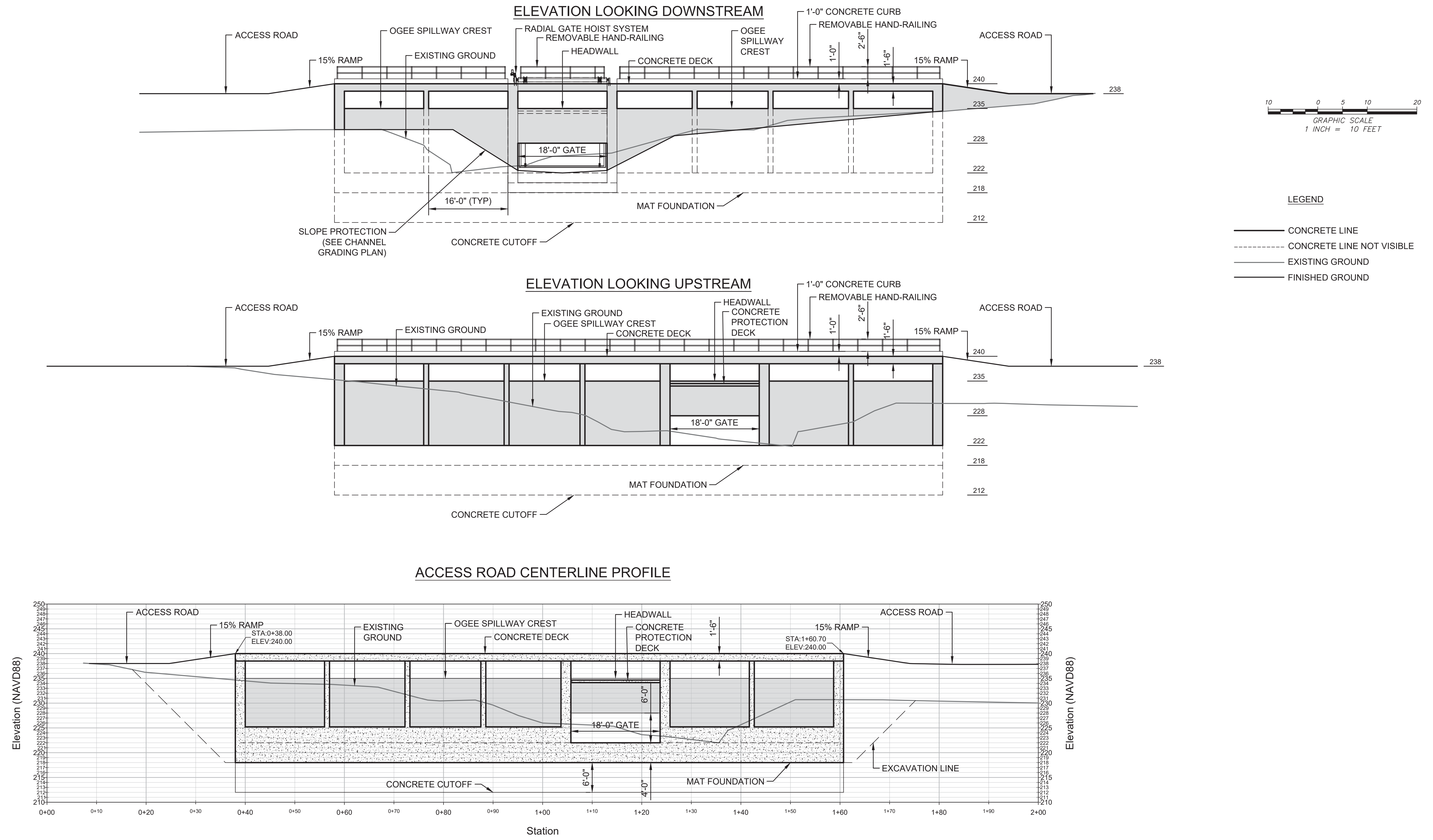


PHASE1 60% Submittal

<p>Attention:</p> <p>If this scale bar does not measure 1" then drawing is not original scale.</p>	<p>STETSON ENGINEERS INC.</p> <p>2171 E. Francisco Blvd., Suite K San Rafael, CA. 94901 (415) 457-0701</p> <p>Project Number: 2706 Date: December 6, 2019</p>		<p>Designed: G.T. / J.F.</p> <p>Checked: J.F. / J.D. / J.R.</p> <p>Drawn: G.T.</p> <p>Approved:</p>	<p>MARIN COUNTY FLOOD CONTROL & WATER CONSERVATION DISTRICT</p> <p>3501 CIVIC CENTER DR. ROOM 304 SAN RAFAEL CALIFORNIA 94903</p>	<p>SAN ANSELMO FLOOD RISK REDUCTION PROJECT FLOOD DIVERSION STORAGE SITE FAIRFAX, CA</p> <p>FLOW DIVERSION AND SPILLWAY STRUCTURE PLAN</p>	<p>DWG NO. C-21</p> <p>SHEET NO. 25 of 77</p>							
	<table border="1"> <thead> <tr> <th>NO.</th> <th>DATE</th> <th>ISSUE/REVISION</th> <th>APP</th> </tr> </thead> <tbody> <tr> <td>0</td> <td></td> <td></td> <td></td> </tr> </tbody> </table>	NO.	DATE	ISSUE/REVISION	APP	0				<p>Project Number: 2706 Date: December 6, 2019</p>		<p>Project Number:</p>	<p>Project Number:</p>
NO.	DATE	ISSUE/REVISION	APP										
0													

This 60% plan is preliminary and will change given public input, further design, and verification

This 60% plan is preliminary and will change given public input, further design, and verification



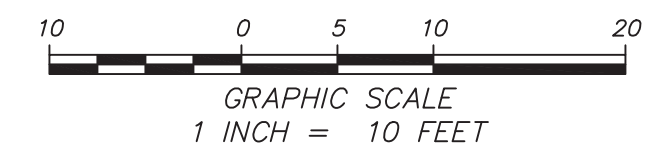
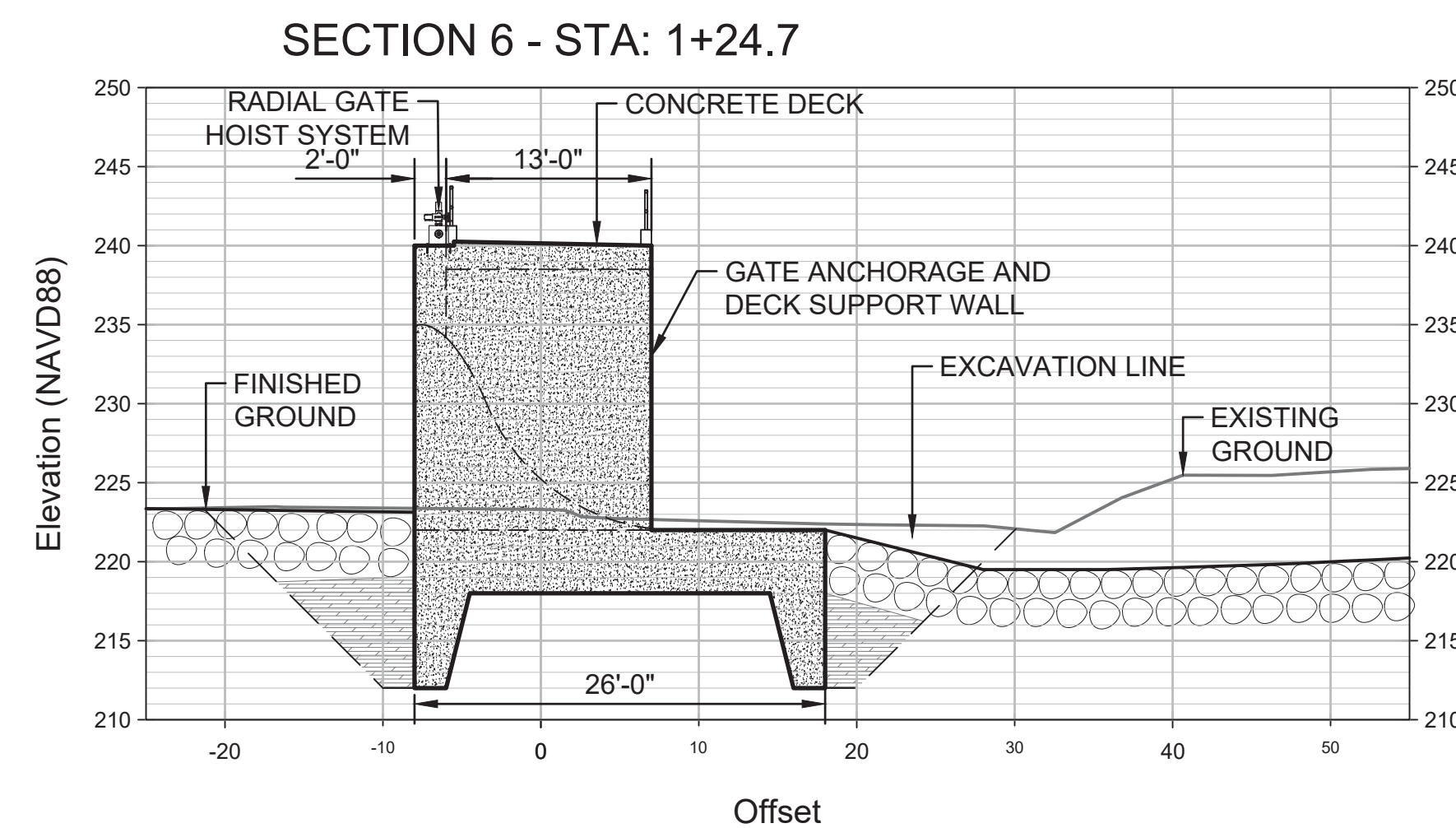
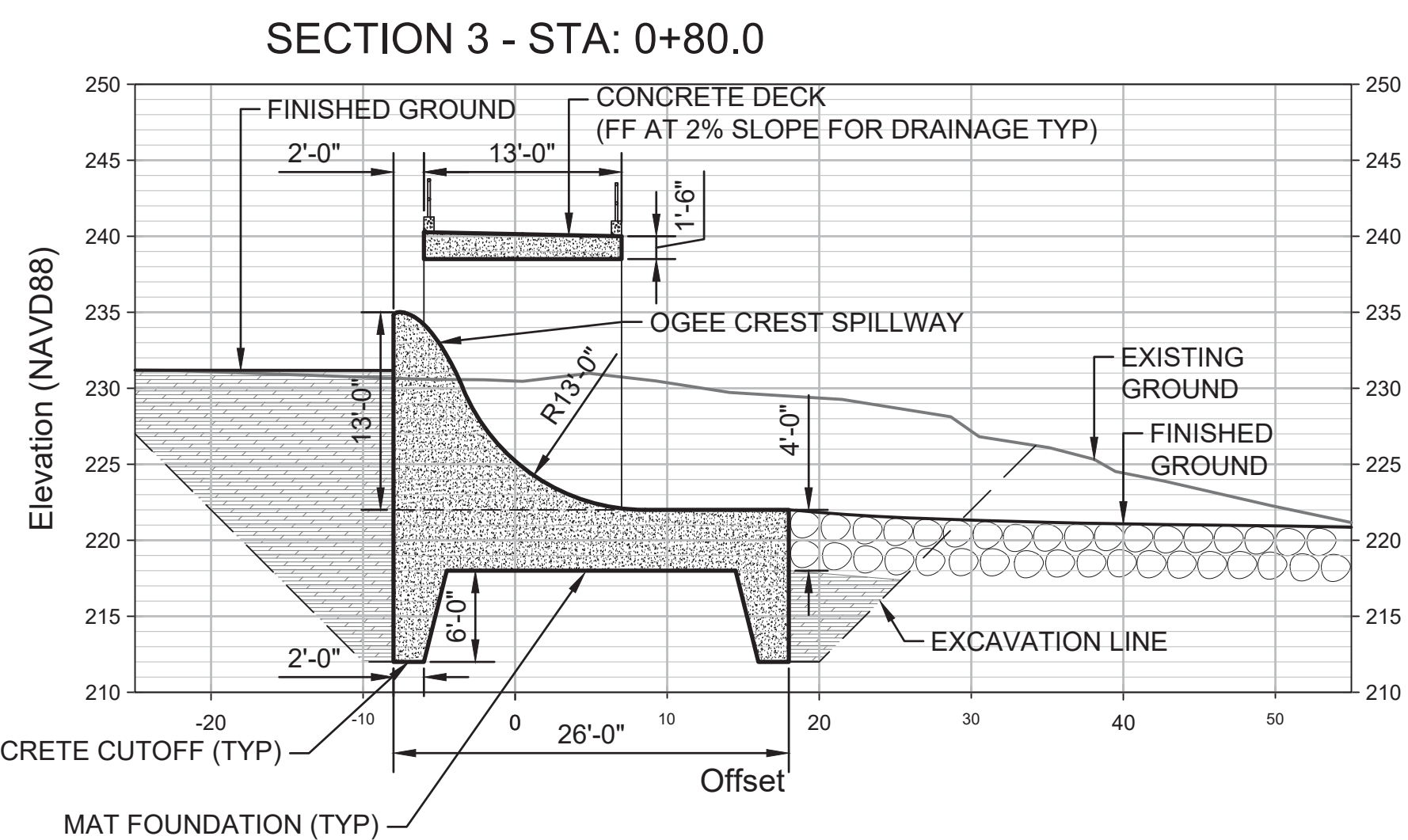
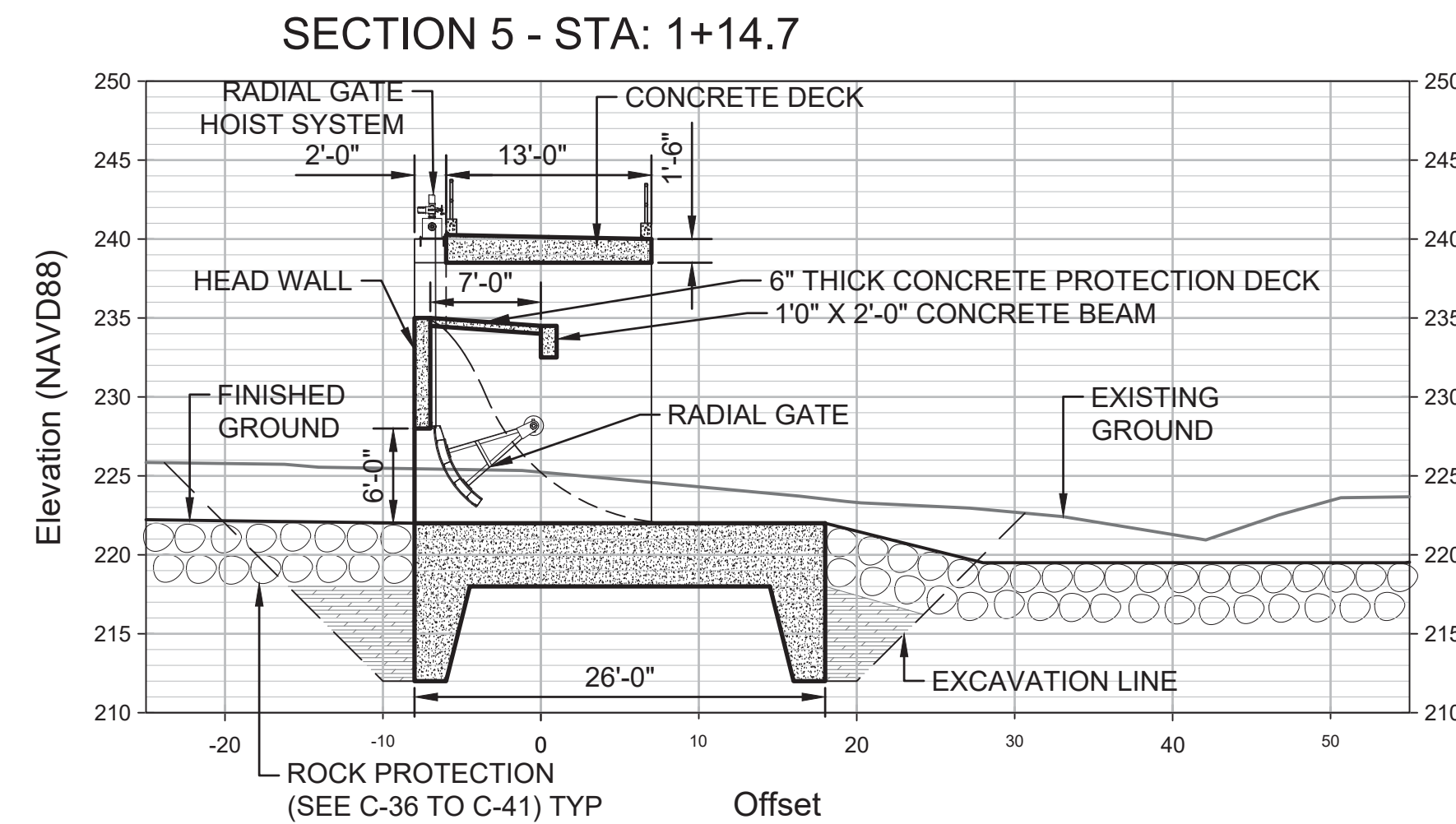
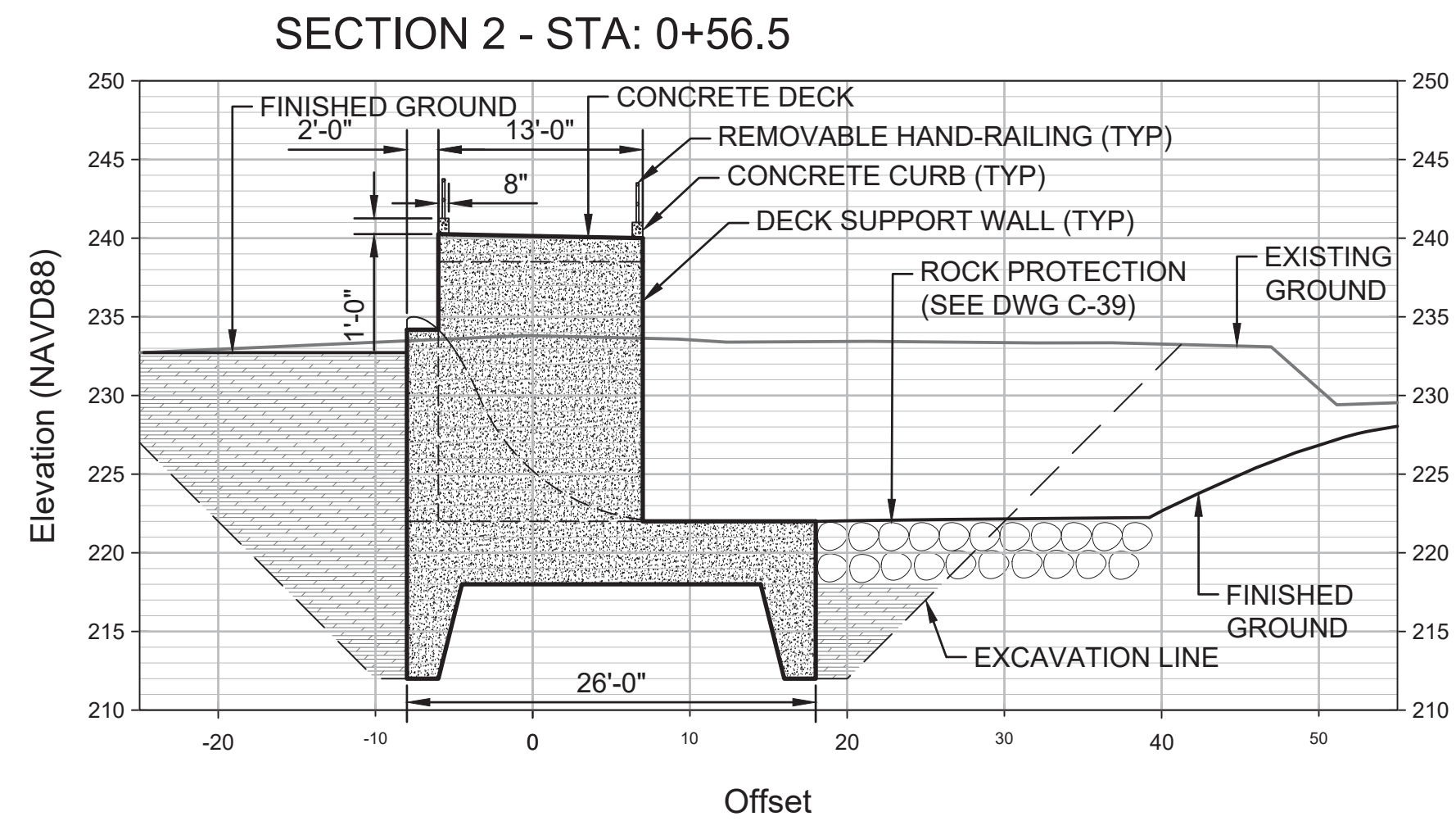
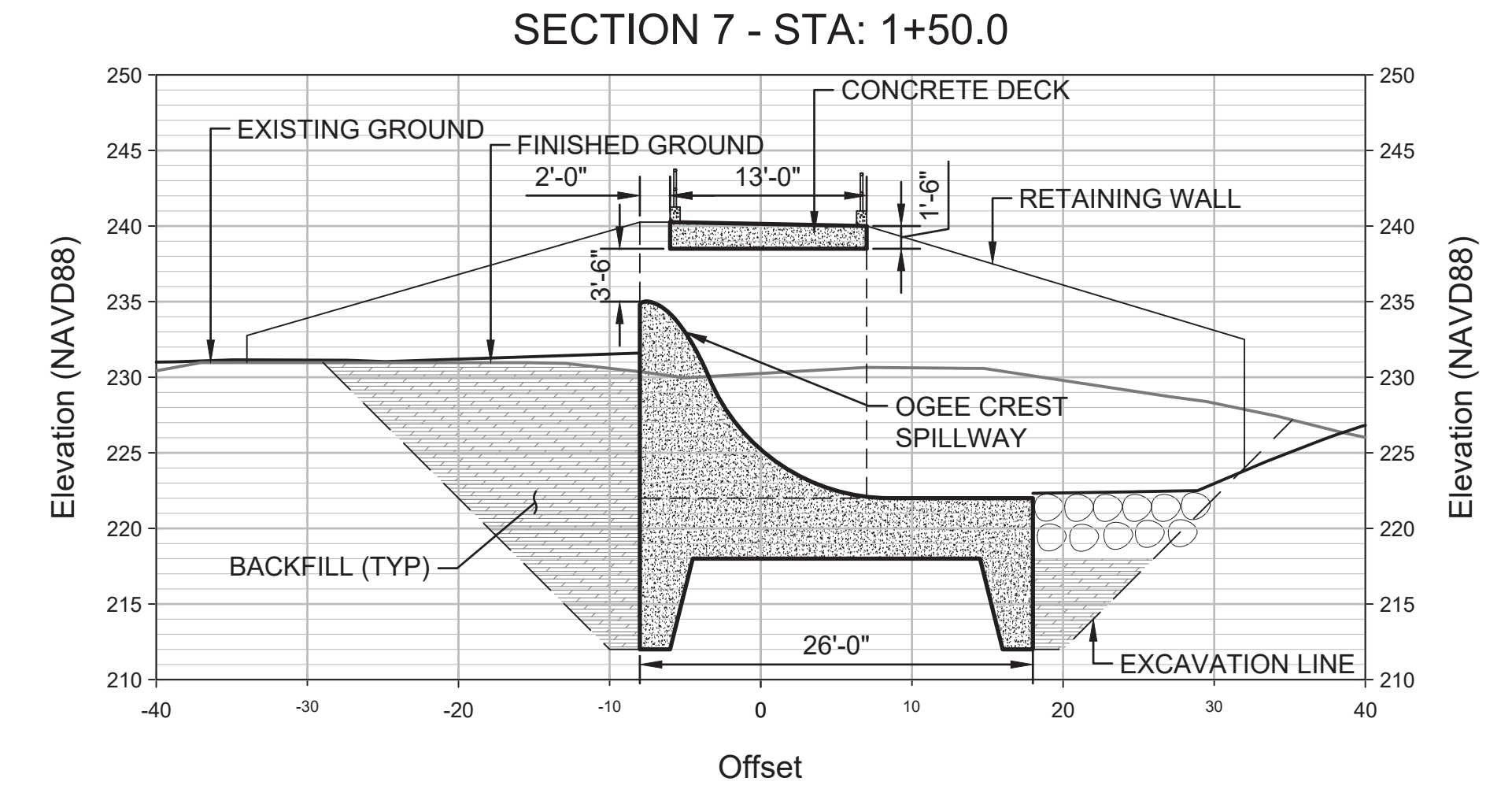
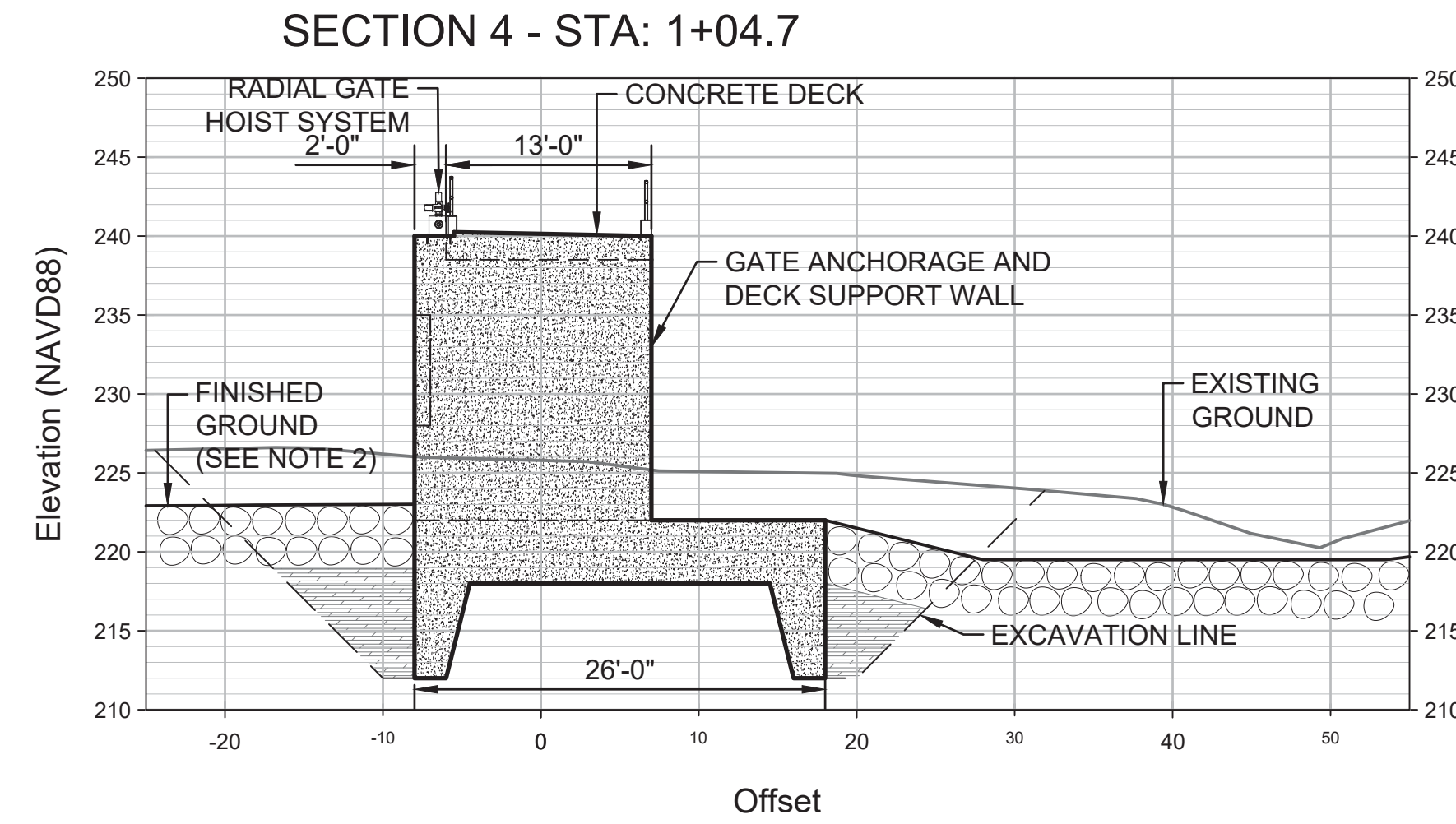
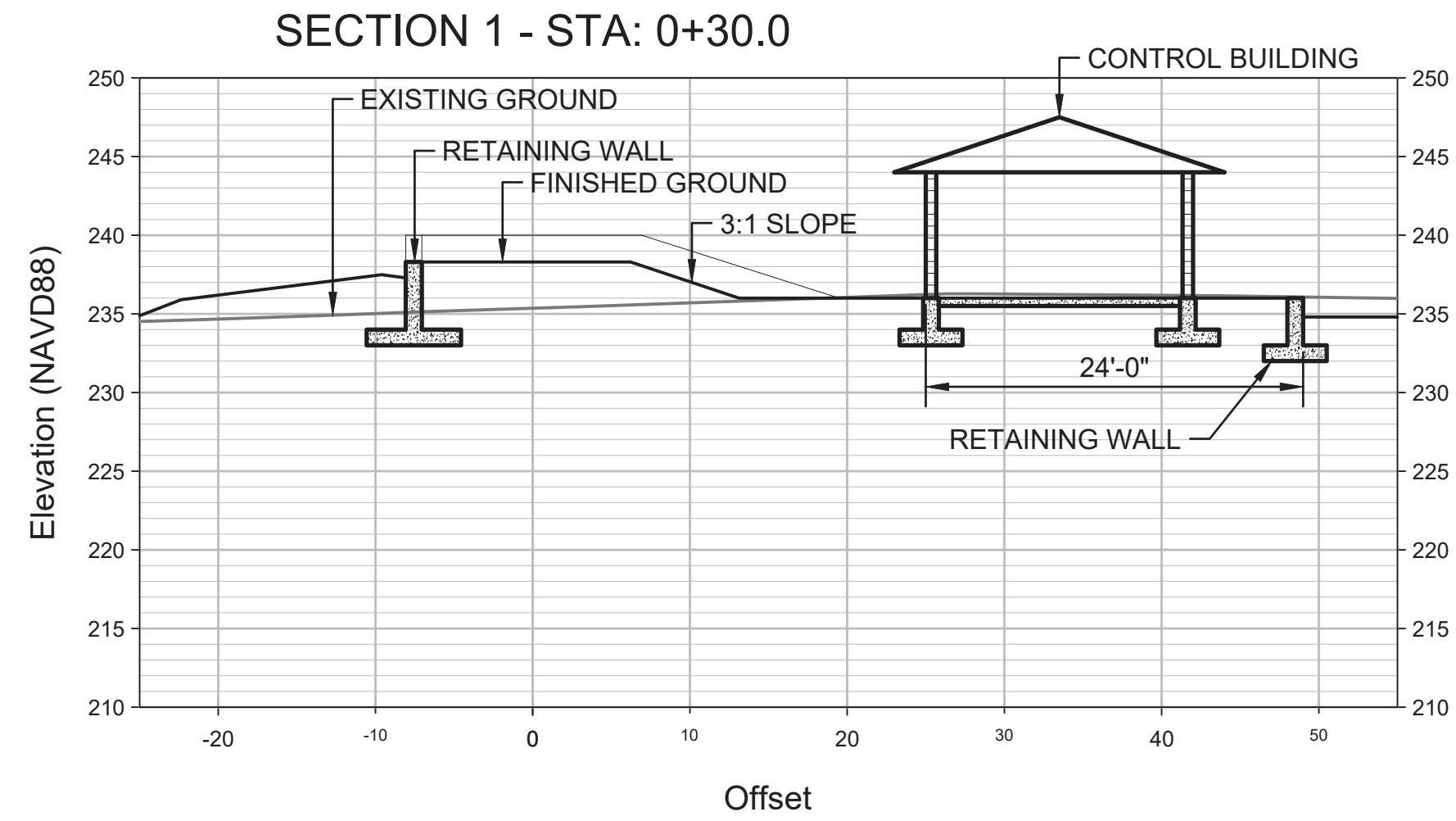
LEGEND

- CONCRETE LINE
- CONCRETE LINE NOT VISIBLE
- EXISTING GROUND
- FINISHED GROUND

<p>Attention:</p> <p>If this scale bar does not measure 1" then drawing is not original scale.</p>				<p>Stetson Engineers Inc.</p> <p>2171 E. Francisco Blvd., Suite K San Rafael, CA. 94901 (415) 457-0701</p> <p>Project Number: 2706 Date: December 6, 2019</p>		<p>Designed: G.T. / J.F.</p> <p>Checked: J.F. / J.D. / J.R.</p> <p>Drawn: G.T.</p> <p>Approved:</p>		<p>MARIN COUNTY FLOOD CONTROL & WATER CONSERVATION DISTRICT 3501 CIVIC CENTER DR. ROOM 304 SAN RAFAEL CALIFORNIA 94903</p>		<p>PHASE1 60% Submittal</p> <p>SAN ANSELMO FLOOD RISK REDUCTION PROJECT FLOOD DIVERSION STORAGE SITE FAIRFAX, CA</p> <p>FLOW DIVERSION AND SPILLWAY STRUCTURE ELEVATIONS AND PROFILE</p>		<p>DWG NO. C-22</p> <p>SHEET NO. 26 of 77</p>
NO.	DATE	ISSUE/REVISION	APP									

This 60% plan is preliminary and will change given public input, further design, and verification

This 60% plan is preliminary and will change given public input, further design, and verification



- LEGEND**
- CONCRETE LINE
 - - - CONCRETE LINE NOT VISIBLE
 - EXISTING GROUND
 - FINISHED GROUND

- NOTES:**
1. OGEE SPILLWAY SHAPE IS BASED ON USBR SPILLWAY MANUAL FIGURE 248 - OGEE CREST SHAPE DEFINED BY COMPOUND CURVES. 288-D-2408.
 2. SEE TO DWG C-36 THROUGH C-41 FOR DETAILS REGARDING CHANNEL GRADING AND TREATMENTS IN THE VICINITY OF THE DIVERSION STRUCTURE.
 3. RADIAL GATE HOIST SYSTEM INCLUDES A 2HP ELECTRIC MOTOR OPERATOR, HOIST DRUM, STAINLESS STEEL HOIST CABLES, AND HAND WHEEL FOR MANUAL EMERGENCY OPERATOR.

PHASE1 60% Submittal

<p>Attention:</p> <p>If this scale bar does not measure 1" then drawing is not original scale.</p>	NO.	DATE	ISSUE/REVISION	APP	<p>Stetson Engineers Inc.</p> <p>2171 E. Francisco Blvd., Suite K San Rafael, CA. 94901 (415) 457-0701</p> <p>Project Number: 2706 Date: December 6, 2019</p>	<p>Designed: G.T. / J.F.</p> <p>Checked: J.F. / J.D. / J.R.</p> <p>Drawn: G.T.</p> <p>Approved:</p>	<p>MARIN COUNTY FLOOD CONTROL & WATER CONSERVATION DISTRICT 3501 CIVIC CENTER DR. ROOM 304 SAN RAFAEL CALIFORNIA 94903</p>	<p>SAN ANSELMO FLOOD RISK REDUCTION PROJECT FLOOD DIVERSION STORAGE SITE FAIRFAX, CA</p> <p>FLOW DIVERSION AND SPILLWAY STRUCTURE SECTIONS</p>	<p>DWG NO. C-23</p> <p>SHEET NO. 27 of 77</p>
	<p>Project Number: 2706</p>					<p>Project Number:</p>			

This 60% plan is preliminary and will change given public input, further design, and verification