

| PARKING BAY WIDTHS | |
|--|--------|
| ONE-WAY TRAFFIC & SINGLE LOADED AISLES | 43'-4" |
| TWO-WAY TRAFFIC & SINGLE LOADED AISLES | 43'-4" |
| ONE-WAY TRAFFIC & DOUBLE LOADED AISLES | 61'-4" |
| TWO-WAY TRAFFIC & DOUBLE LOADED AISLES | 61'-4" |



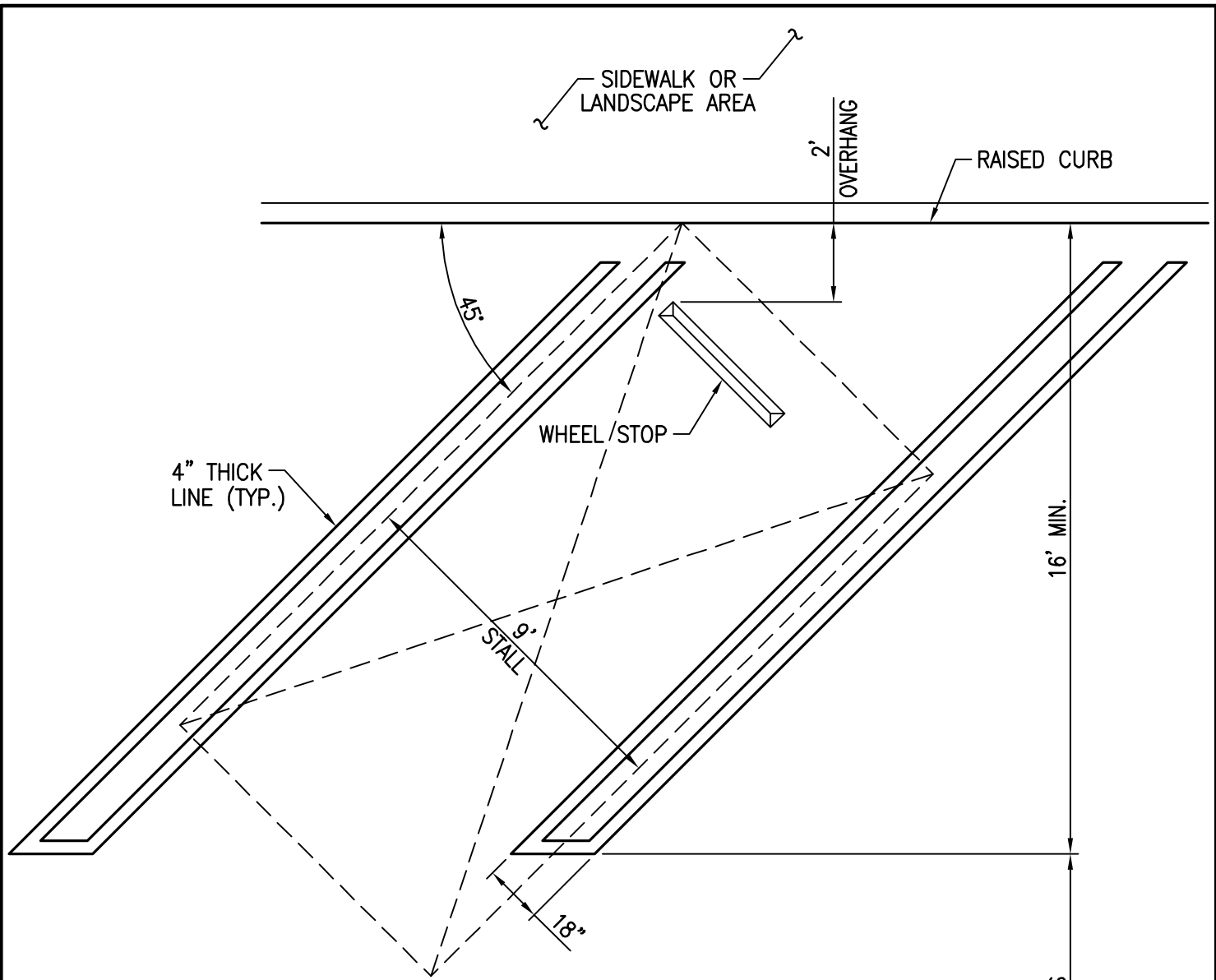
PARKING BAY WIDTHS
PER TABLE HEREON

| | | | |
|--------------|-----------------|-------|----------|
| APPROVED BY: | <i>mchudson</i> | DATE: | 04/04/17 |
| REVISION | DESCRIPTION | DATE | |
| | | | |

CITY OF MONTCLAIR PUBLIC WORKS DEPARTMENT

STANDARD HAIRPIN PARKING DETAIL

STANDARD DWG.
SP-2A

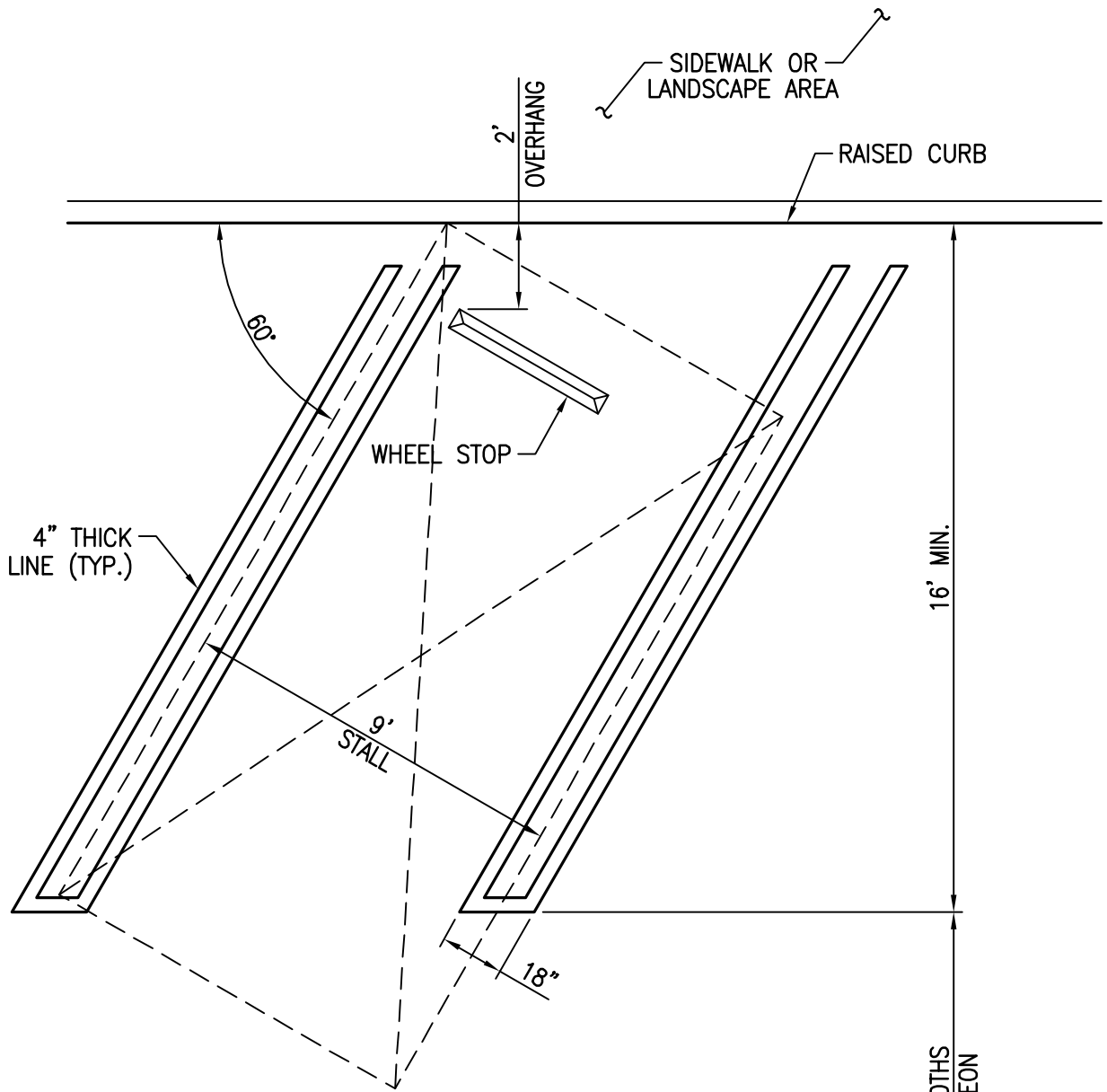


| PARKING BAY WIDTHS FOR 45° STALLS | |
|--|--------|
| ONE-WAY TRAFFIC & SINGLE LOADED AISLES | 30'-3" |
| TWO-WAY TRAFFIC & SINGLE LOADED AISLES | 38'-4" |
| ONE-WAY TRAFFIC & DOUBLE LOADED AISLES | 48'-7" |
| TWO-WAY TRAFFIC & DOUBLE LOADED AISLES | 56'-4" |



| | | |
|-------------------------|-------------|----------------|
| APPROVED BY: <i>mch</i> | | DATE: 04/04/17 |
| REVISION | DESCRIPTION | DATE |
| | | |

| | | |
|---|--|---------------|
| CITY OF MONTCLAIR PUBLIC WORKS DEPARTMENT | | STANDARD DWG. |
| STANDARD 45° HAIRPIN PARKING DETAIL | | SP-2B |



| PARKING BAY WIDTHS FOR 60° STALLS | |
|--|--------|
| ONE-WAY TRAFFIC & SINGLE LOADED AISLES | 35'-3" |
| TWO-WAY TRAFFIC & SINGLE LOADED AISLES | 40'-7" |
| ONE-WAY TRAFFIC & DOUBLE LOADED AISLES | 54'-8" |
| TWO-WAY TRAFFIC & DOUBLE LOADED AISLES | 59'-3" |



PARKING BAY WIDTHS
PER TABLE HEREON

| | | | |
|--------------|-------------|-------|----------|
| APPROVED BY: | <i>mch</i> | DATE: | 04/04/17 |
| REVISION | DESCRIPTION | DATE | |
| | | | |

| | | |
|--|--|---------------|
| CITY OF MONTCLAIR PUBLIC WORKS DEPARTMENT | | STANDARD DWG. |
| STANDARD 60° HAIRPIN PARKING DETAIL | | SP-2C |