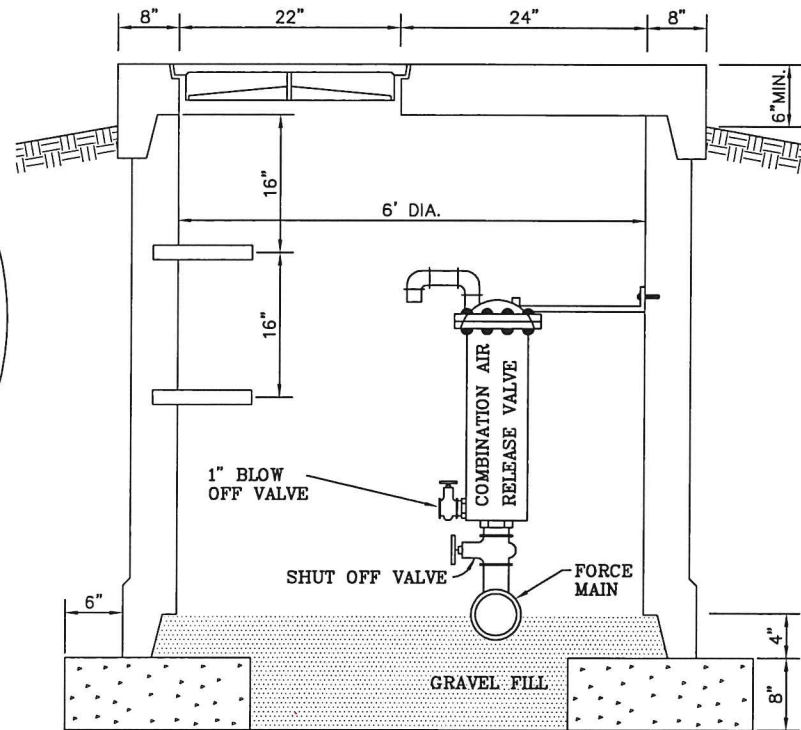


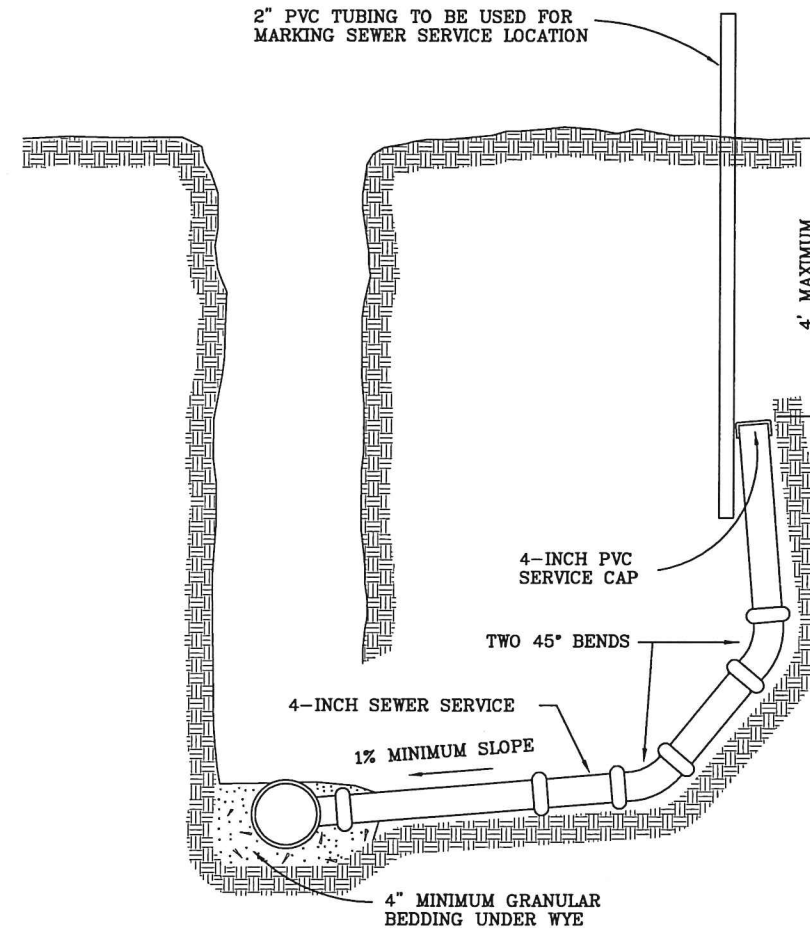
PLAN VIEW



SECTION

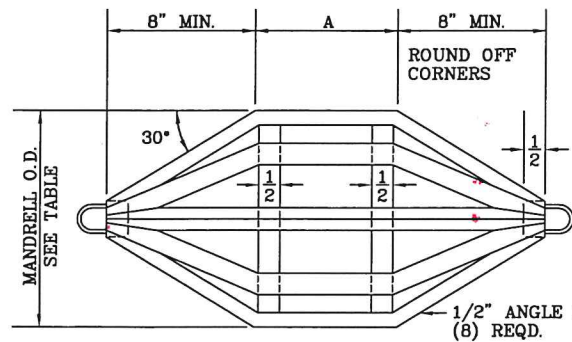
DETAIL
COMBINATION AIR RELEASE VALVE
AND MANHOLE

SCALE: NONE

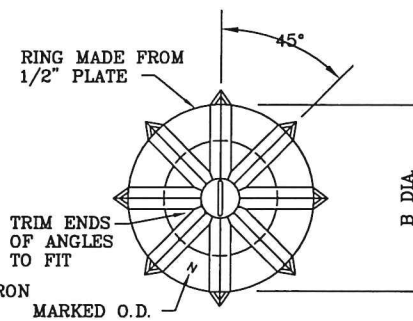


DETAIL
HOUSE CONNECTION

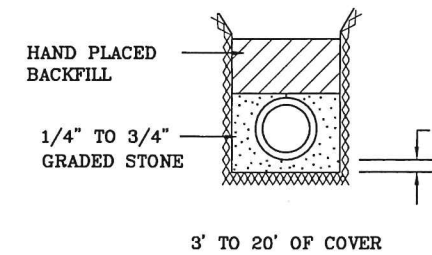
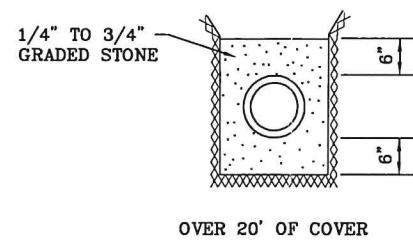
SCALE: NONE



SIDE OR TOP VIEW



END VIEW



TYPICAL SECTION - BEDDING FOR SEWER - PVC PIPE

STAMPED IDENTIFICATION	O.D.		B		A	OVERALL RUNNER COMMON DIMENSIONS	OVERALL CENTER ROD
	5% LIMIT		7.5% LIMIT				
	TOL	+0.000	-0.040				
D-3034 DR-35 15"	13.43	12.43	13.08	12.08	15	19	41
D-3034 DR-35 12"	10.98	9.98	10.69	9.69	12	16	38
D-3034 DR-35 10"	9.22	8.22	8.98	7.98	10	14	36
D-3034 DR-35 8"	7.37	6.37	7.18	6.18	8	12	34
D-3034 DR-35 6"	5.50	4.50	5.36	4.36	6	10	32

PVC DEFLECTION TESTING MANDREL

SCALE: NONE

SCALE: NONE
SEE PLANS FOR TYPE AND DEPTHS OF PIPE

GRADING	TOTAL PER CENT BY WEIGHT, PASSING SIEVES								
	2-1/2"	2"	1-1/2"	1"	3/4"	3/8"	NO. 4	NO. 16	NO. 100
A	100	95-100				35-65			0-10
B		100	95-100	65-95	35-55		15-45		0-15

KENNETH R. KING
REGISTERED ENGINEER
AGRICULTURE
STATE OF TENNESSEE
5-31-11

STANDARD DETAILS
SANITARY SEWER SYSTEM
MUNFORD, TENNESSEE

CHECKED K. KING	<p>KING ENGINEERING CONSULTANTS Incorporated PROFESSIONAL ENGINEERS MEMPHIS, TENNESSEE</p>	SCALE AS SHOWN
LICENSE NO. 12309		SHEET NO. 2 OF 6
DESIGNED K.E.C.		DWG. NO. 4529
DRAWN K.E.C.		DATE 05/24/2011