

SPRING HILL SCHOOL - PORTABLE CLASSROOMS

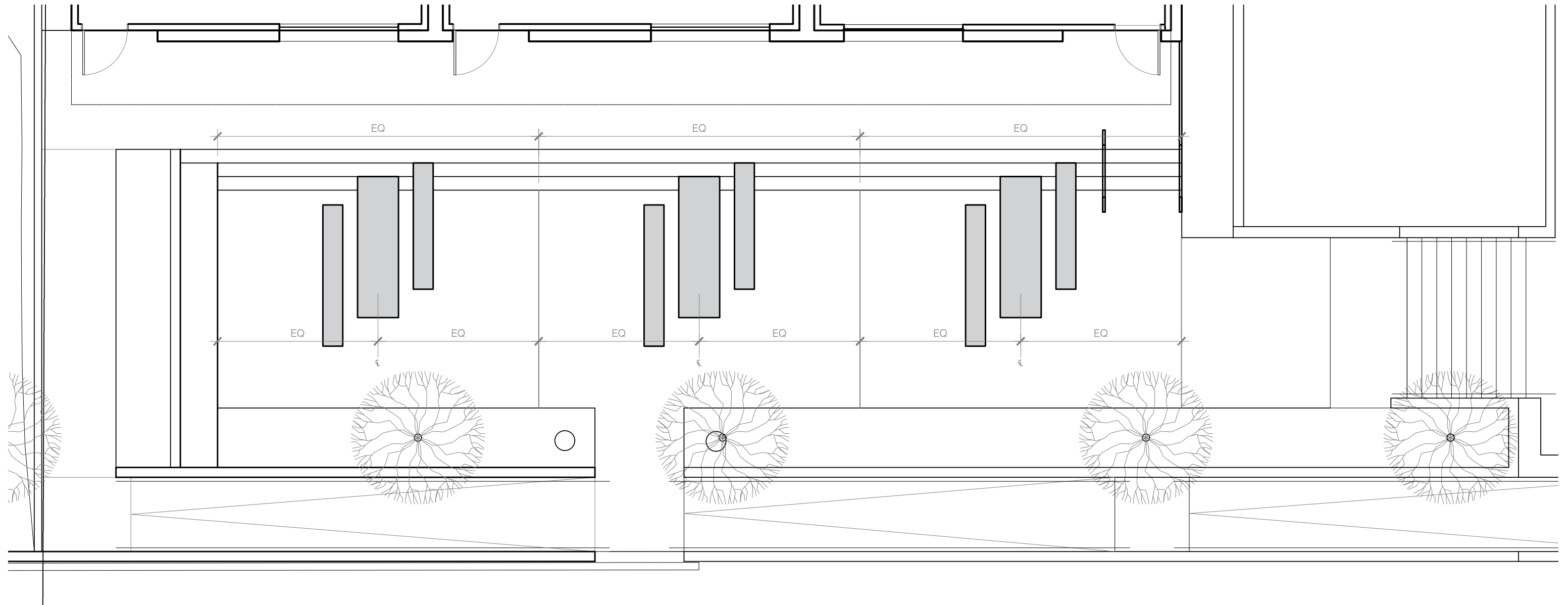
RENDERINGS, MATERIAL BOARD, SITE PHOTOS | 2021.12.01













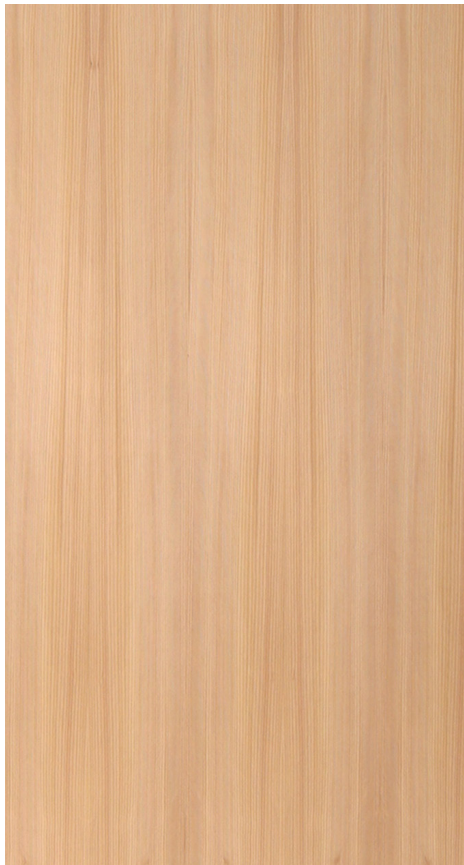




CONCRETE SLAB



BOARD FORM CONCRETE



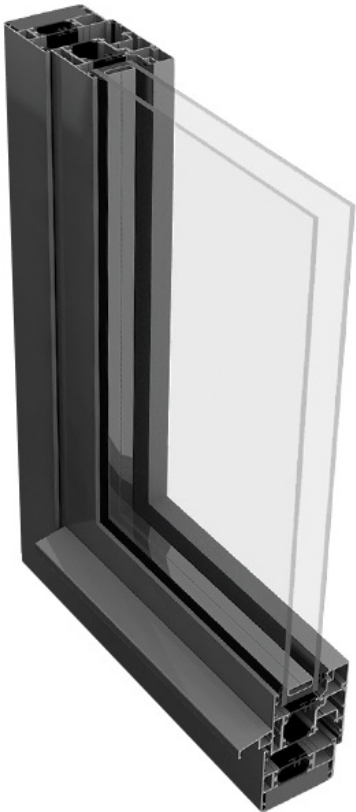
CEDAR PANELS



CEDAR SIDING



STANDING SEAM



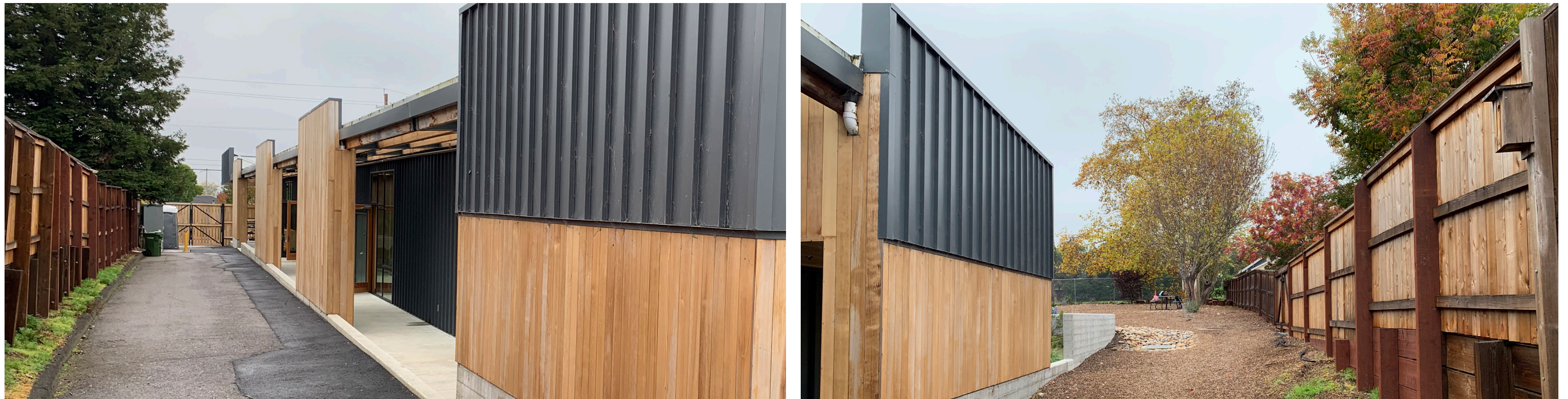
BLACK ALUMINUM FRAME

STREET VIEW OF EXISTING SCHOOL





FENCE BETWEEN SPRING HILL SCHOOL & TOWNVIEW LANE





FLUID STUDIOS INC
PO BOX 167
FOREST KNOLLS, CA 94933

415.250.1855
ANDREW@FLUID-STUDIOS.COM