



8" x 8" Sample  
Shown in Sandstone finish

# Rice Grass

Blooms of floret hang from slender upright blades to create wide dynamic spaces for light to shine through this gorgeous, earthy pattern.

---

## MATERIAL DETAILS

**Gauges** Varia: 1/8", 3/16", 1/4", 3/8", 1/2", 3/4", 1"

**Panel Sizes** Varia: 48" x 96", 60" x 120", 48" x 120"

**Pattern Direction** Can be rotated

**Available Materials** Varia

**Price Group** C

**Fire Rating** Class A: 1/16", 1/8", 3/16", 1"  
Class B: 1/4", 3/8", 1/2", 3/4"

**Notes** The Varia system panels utilizing natural products as a decorative interlayer may change in appearance over time. Natural materials are also subject to inherent inconsistency in color, texture, and shape.

**Lead Time** 4 weeks



# PureBond.<sup>®</sup>

## HARDWOOD PLYWOOD

### A Remarkable Breath of Fresh Thinking for Over Fifteen Years!

Original, leading brand of formaldehyde-free decorative hardwood plywood. Since 2006, Columbia has manufactured over **one hundred million** PureBond panel assemblies with zero-added formaldehyde.

Columbia took a step further through organization of the PureBond Fabricator Network in the US and Canada. The PFN is a community of fabricators committed to offering a formaldehyde-free alternative in cabinet and case good construction with PureBond panel production.

PureBond is proven technology through soy and PVA-based decorative panel assembly that is cost competitive and widely available across North America.

 PureBond.<sup>®</sup>  
FABRICATOR NETWORK

Visit [www.cfpwood.com](http://www.cfpwood.com) to  
find a fabricator in your area.



**columbia**  
FOREST PRODUCTS



Columbia's PureBond Promise: Soy, PVA or pMDI assembly technologies only to assure zero-added urea formaldehyde.

## Formaldehyde-free.

When we say PureBond technology is "formaldehyde-free," we're describing our hardwood plywood panels which are comprised of no added urea formaldehyde components and assembled with no-added urea-formaldehyde (UF) adhesives.

## Cost Competitive. Higher Performance.

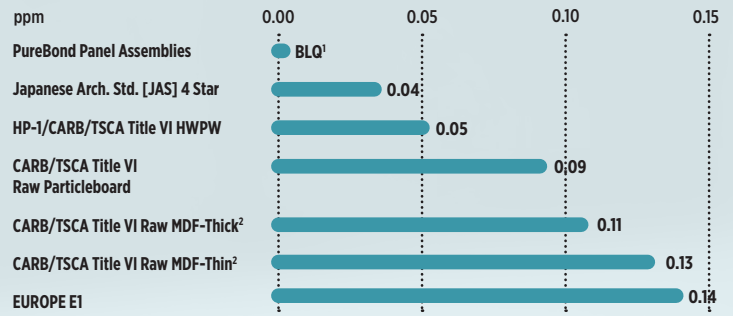
What really makes PureBond special is that it's cost-competitive with the standard urea-formaldehyde (UF) adhesives. construction of most decorative veneer-core hardwood plywood that's made today. Additionally, PureBond has been tested to be even more water resistant than UF panels. PureBond urea formaldehyde-free panels have out-performed UF bonded panels in all moisture degradation tests.

## Independent, Third-party Assurance for Green Building Program Success.

Columbia panels are certified as CARB and TSCA Title VI Compliant by a third party certifier, Capital Testing. This certification is accepted by USGBC LEED® and other, related standards through the Composite Wood Evaluation.



### PUREBOND TEST RESULTS COMPARED TO EMISSION LIMITS



<sup>1</sup> Purebond Panels; VC and CC w/ NAF MDF and NAF panel adhesives have had an average emission test rating of 0.0033 ppm over 60 test reports over the past two years.

<sup>2</sup> HWPW and PB are tested in the E1333 large chamber at a 0.13 ft<sup>2</sup>/ft<sup>3</sup> loading rate, and MDF is tested at 0.08 ft<sup>2</sup>/ft<sup>3</sup>, so not as much MDF surface is exposed during tests. If tested to same loading rate, MDF test results would be higher but may or may not exceed the standards thresholds here.

## PureBond Facts:

- Columbia has manufactured over 125 million panels with PureBond formaldehyde-free hardwood plywood assembly technology.
- PureBond assembly is formaldehyde free with no added scavengers to mitigate urea formaldehyde hydrolysis and offgassing as there is no added formaldehyde to start with!
- Purebond veneer core panels offer improved moisture resistance compared to veneer core panels made with urea formaldehyde glues.
- PureBond panel assemblies are compliant with USGBC®, LEED® Composite Wood Evaluation. LEED® is the preeminent program for the design, construction, maintenance and operations of high-performance green buildings.
- PureBond panels can be specified as FSC® MIX to confirm independent certification to standards set forth by the Forest Stewardship Council® for certified, responsible wood sourcing.
- TSCA Compliant PureBond also qualifies for International Living Future Institute Living Building Challenge® Materials Petal as well as use in buildings managed to Well® Building standards.

## Want to know more?

For more information on PureBond, or to specify it for your next project, contact us or visit [www.cfpwood.com](http://www.cfpwood.com) to learn more.

Copyright © Columbia Forest Products. All Rights Reserved.



Eastern US: Chatham  
1 800-237-2428

Eastern US: Old Fort  
1 800-438-6069

Western US & Canada  
1 800-547-1791

Northeastern US & Canada  
1 888-664-1964 • 1 888-525-1964

**columbia**  
FOREST PRODUCTS®  
[cfpwood.com](http://cfpwood.com)

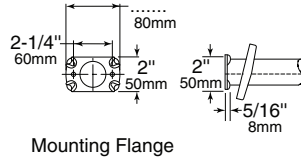




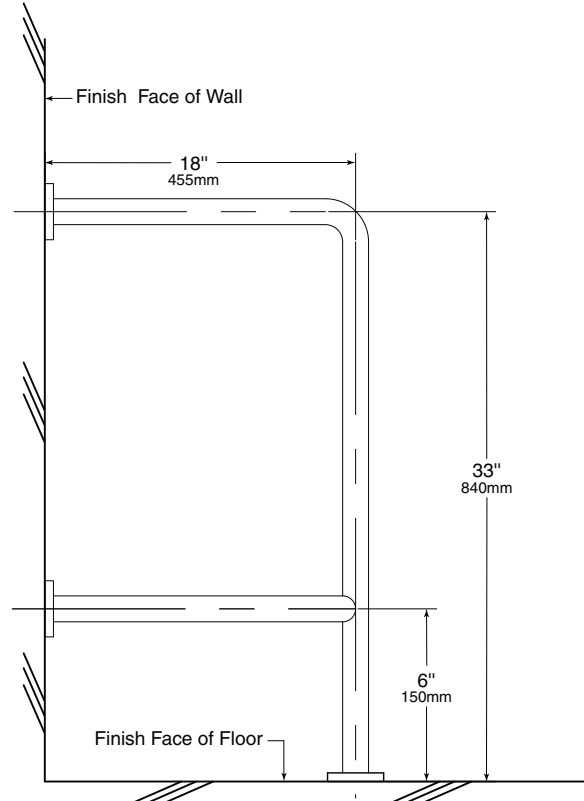
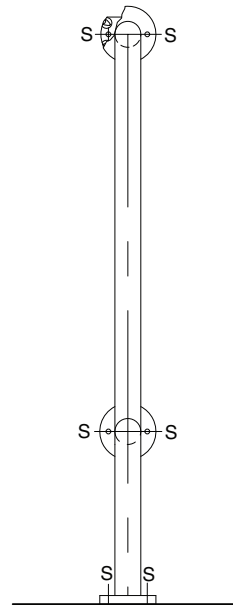
Technical Data

# 1½" (38mm) DIAMETER STAINLESS STEEL DRINKING FOUNTAIN GRAB BAR

# 819298



Mounting Flange



### MATERIALS:

**Grab Bar** — 18-8 S, type-304, 18-gauge (1.2mm) stainless steel tubing with satin finish. 1-1/2" (38mm) outside diameter. Ends are heliarc welded to flanges.

**Concealed Mounting Flanges** — 18-8 S, type-304, 1/8" (3mm) thick, stainless steel plate; end flanges 2" x 3-1/8" (50 x 80mm) with two holes for attachment to wall and to floor.

**Snap Flange Covers** — 18-8 S, type-304, 22-gauge (0.8mm) drawn stainless steel with satin finish. 3-1/4" (85mm) diameter x 1/2" (13mm) deep. Each cover snaps over mounting flange to conceal mounting screws.

### STRENGTH:

Grab bar can support loads in excess of 250 pounds (113kg) if properly installed, complying with barrier-free accessibility guidelines (including ADAAG in the U.S.A.) for structural strength.

**Warning:** Grab bars are no stronger than the anchors or walls to which they are attached and therefore, must be firmly secured in order to support the loads for which they are intended.

continued . . .



**INSTALLATION:**

Provide concealed anchor device or backing as specified or required in accordance with local building codes before wall is finished. Use the grab bar as a template to ensure accurate installation. Fasten concealed mounting flanges to anchor device or backing with two screws in each flange. Snap flange covers over each mounting flange to conceal mounting screws. Concealed anchor devices and mounting screws are not included with Bobrick grab bars and must be specified as an accessory.

**Important Notes:**

1. **Mounting Kits** — Bobrick has a selection of mounting screws and fasteners available for different types of installations; **one Bobrick mounting kit is required for each flange.**

Mounting Kit No.	Description
252-30	Consists of (3) #14 x 2½" type-304 stainless steel, Phillips round-head, sheet-metal screws.
2521-30	Consists of (3) 1/4–20 x 3½" type-304 stainless steel, Phillips round-head, machine screws with plated-steel toggle nuts.
2522-30	Consists of (3) 1/4–20 x 2" type-304 stainless steel, Phillips round-head, machine screws with metal expansion shields.

2. **Grab Bar Fastener** — Bobrick has a grab bar fastening system that secures all Bobrick grab bar series; **one Bobrick fastener is required for each flange.** Install grab bar without backing in wall requires minimum 5/8" (16mm) thick painted or tiled drywall.

WingIt™ Fastener No.	Description
251-4	Consists of (3) 10–32 x 5/16" round-head, Phillips 18/8 stainless steel screws. (1) WingIt grab bar fastener.

3. **Optional Anchor Device** — Bobrick grab bar anchor device includes stainless steel machine screws to be used for attaching grab bars to anchors; **one Bobrick concealed anchor device is required for each flange.**

Optional Anchor No.	Description
2583	Anchor for 3/4" to 1" (19-25mm) panel 1 anchor required for each flange.
2586	Anchor for 1/2" to 1" (13mm) panel 1 anchor required for each flange.

**SPECIFICATION:**

Grab bar shall be type-304 stainless steel with satin finish. Grab bar shall have 18-gauge (1.2mm) wall thickness and 1-1/2" (38mm) outside diameter. Concealed mounting flanges shall be 1/8" (3mm) thick stainless steel plate, 2" x 3-1/8" (50 x 80mm), and equipped with two screw holes for attachment to wall and to floor. Flange covers shall be 22 gauge (0.8mm), 3-1/4" (85mm) diameter x 1/2" (13mm) deep, and shall snap over mounting flange to conceal mounting screws. Ends of grab bar shall pass through concealed mounting flanges and be heliarc welded to form one structural unit. Grab bar shall comply with barrier-free accessibility guidelines (including ADAAG in the U.S.A.) for structural strength.

**Grab Bar shall be Model 819298 of Bobrick Washroom Equipment, Inc., Clifton Park, New York; Jackson, Tennessee; Los Angeles, California; Bobrick Washroom Equipment Company, Scarborough, Ontario; Bobrick Washroom Equipment Pty. Ltd., Australia; and Bobrick Washroom Equipment Limited, United Kingdom.**



# AL Series

Locks & latches



Fire Rated: Tested on fire door assemblies in accordance with Australian Standards, refer fire door manufacturer for specific approval details

The AL Series keyed lever lock utilises the Schlage original A Series cylindrical chassis with a lever design supported by heavy duty spring cages. This design provides strength and performance in more abusive commercial applications.

The AL Series is available in a variety of keyed and non-keyed functions. This series is ideally suited for commercial exterior and interior doors for medical, office, hotel/motel, public and community buildings, retail/store front and government facilities.

## Features

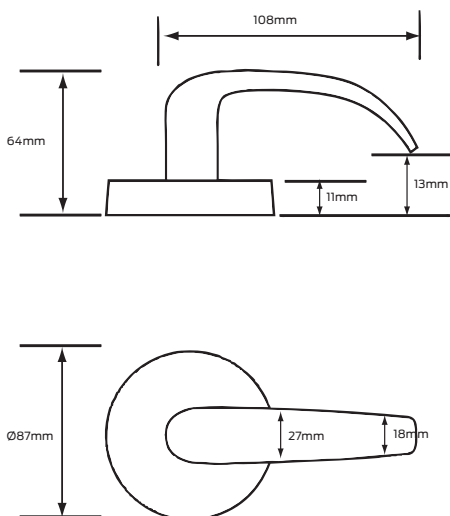
- Key removable outside lever for quick re keying and easy cylinder replacement and keying
- Cold rolled steel, machined, threaded hubs and locking nuts prevent loosening of the lockset by bolting chassis to the door
- True through-bolting of door prevents lock chassis rotation and disengagement from latch
- Stainless steel interlocking spindle design for added strength against excess force when lever is in locked position or latch has been fully retracted
- Heavy duty cast mounting plate with specially tapped holes reduces loosening of through-bolting and lockset on the door
- Heavy duty compression springs extend the life of the spring cage and minimises lever droop
- Patented door range adjuster allows quick and easy adjustment of the AL series for 35mm to 48mm thick doors
- Tested in excess of 400,000 operating cycles
- The 10 year warranty provides specifiers and users with assured quality and performance

# Specification guide

Function	Lever	Finish
Passage latch ..... AL10S	Neptune ..... NEP	Satin chrome plate..... SCP
Exit lock ..... AL25S		
Privacy latch ..... AL40S		
Entrance/office lock ..... AL50PD		
Classroom lock ..... AL70PD		
Storeroom lock ..... AL80PD		
Single dummy trim ..... AL170		

- Function  
Select the desired function e.g. Entrance lock ..... AL50PD
- Lever  
Select the desired lever e.g. Neptune ..... AL50PDNEP
- Finish  
Select the desired finish e.g. Satin chrome plate ..... AL50PDNEPSCP

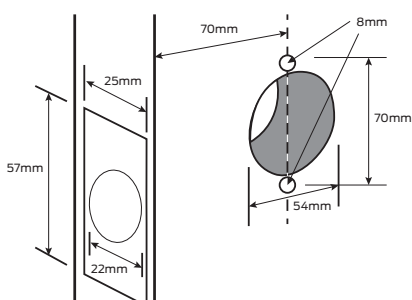
## Neptune



### Specifications





<b>Door type</b>	Timber or metal
<b>Door thickness</b>	35mm to 48mm
<b>Chassis</b>	Cold rolled steel, dichromated plated for corrosion resistance
<b>Lever</b>	Pressure cast zinc
<b>Forend</b>	Stainless steel
<b>Bolt</b>	Brass
<b>Strike plate</b>	Steel
<b>Backsets</b>	70mm latch standard, 60mm, 95mm and 127mm backset available
<b>Key cylinder</b>	Brass plug and cylinder housing, Schlage C6 pin keyway standard, Schlage E6 pin keyway optional, Schlage Everest D keyway optional
<b>Finish</b>	Satin chrome plate
<b>Warranty</b>	10 year mechanical

## Door preparation








## Schlage AL Series non-keyed

Function	Outside	Inside
<b>AL10S - Passage latch</b> Both levers always unlocked		
<b>AL25D - Exit lock</b> Blank plate outside Inside lever always unlocked		
<b>AL40S - Bath/bedroom privacy lock</b> Push-button locking locks outside Levers Turning inside lever or closing door releases button Outside lever has emergency release		
<b>AL170 - Single dummy trim</b> Dummy trim for one side of door Used for door pull or as matching inactive trim		

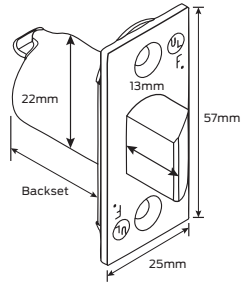
## Schlage AL Series keyed

Function	Description	Outside	Inside
<b>AL50PD - Entrance/office lock</b> Push-button locking; pushing button locks outside lever until unlocked by key or by turning inside lever			
<b>AL70PD - Classroom lock</b> Outside lever locked and unlocked by key Inside lever always unlocked			
<b>AL80PD - Storeroom lock</b> Outside lever fixed Entrance by key only Inside lever always unlocked			

# Schlage AL Series accessories

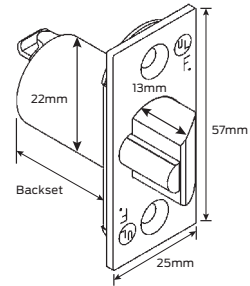
## Springlatch

**Backset:** 60mm, 70mm, 95mm and 127mm  
**Finish:** Satin chrome plate



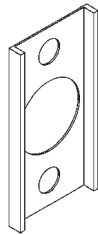
## Deadlatch

**Backset:** 60mm, 70mm, 95mm and 127mm  
**Finish:** Satin chrome plate



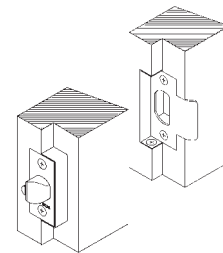
## Latch front adapter

Black plastic insert used to convert 25mm latch faceplates for 29mm wide door preparations



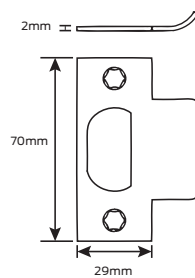
## Rebate kit

This kit adapts latches and strikes for 13mm rebated door and frame preparations



## Strikes

Optional lip lengths available  
**Finish:** Satin chrome plate





# Architectural Components

## Interior Aluminum Doors & Frames

from ABS Architectural Components

- ▶ Wide stile 1-lite aluminum doors
- ▶ Multiple anodize frame finishes and also available in painted white
- ▶ Multiple throat sizes from 3-1/2" to 11-1/8"
- ▶ Standard and full-face trim options of 1", 1-1/2", 2", and 4"
- ▶ Concealed intumescent installed in fire rated frames
- ▶ 90-minute fire rated frames and 45-minute borrowed lite also available
- ▶ Wide stops ease installation of closers and coordinators
- ▶ Made in the USA by proud American craftsmen







**Available in Popular  
"E" Frame Profile**



**Wide Stops Ease  
Installation of  
Closers and  
Reinforcements**

*No need for extended lip  
strikes on wide stop  
with flush trim*



**Doormerica Interior Aluminum  
Frames offer a complete door  
and window frame system  
manufactured from 6063-T5  
extrusions. Featuring several  
unique design elements,  
Doormerica frames are the  
perfect choice for many interior  
commercial applications or  
designer residential projects.**

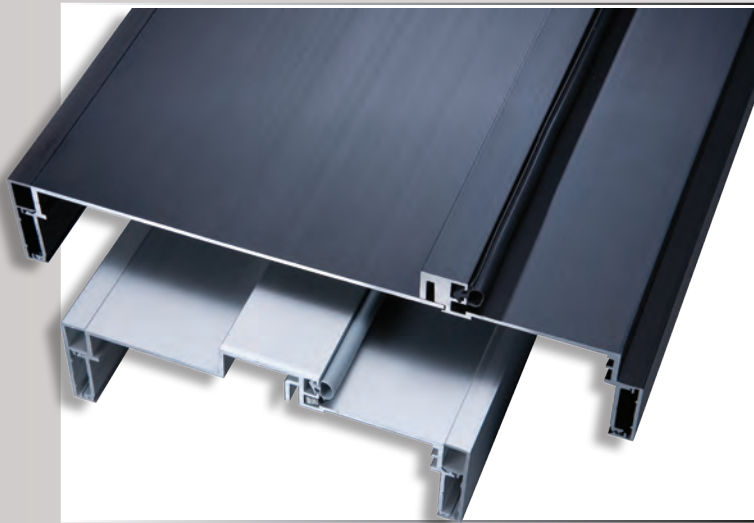


## FEATURING:

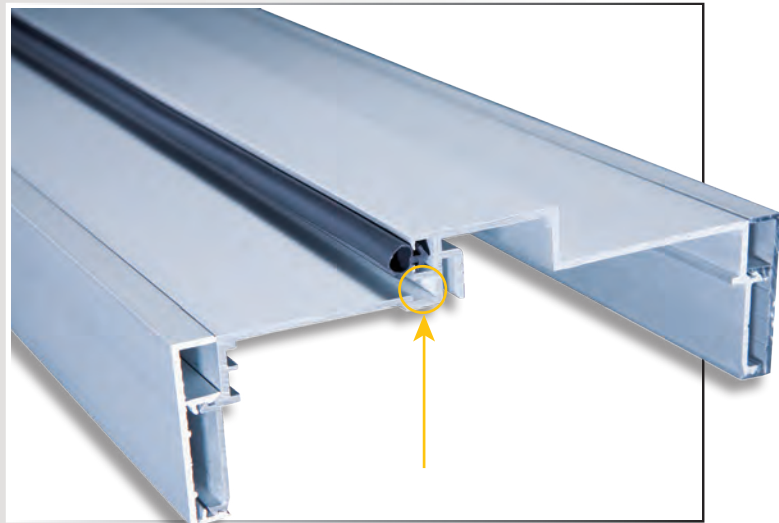
- ▶ **Multiple Finishes – Class II**  
Clear Anodize AA-M10-C22-A31,  
Commercial Dark Bronze Anodize  
AA-M10-C22-A24, Class II Black  
Anodized AA-M10-C22-A34,  
Painted White (Western White  
Polyester)
- ▶ **Multiple Throat Sizes – 3-1/2", 3-3/4",  
4-7/8", 5", 5-1/4", 5-1/2", 7-1/4",  
Variable Wall up to 11-1/8"**
- ▶ **Multiple Casing Sizes 1", 1-1/2", 2", 4"**
- ▶ **Optional Concealed Intumescent  
Fire Rated Frames (20 Minute  
Positive Pressure)**
- ▶ **4-7/8" ASA Strike Standard /  
Tee Strike Available on Request**
- ▶ **Pre-Drilled Mounting Holes**
- ▶ **Wide Stops Ease Installation of  
Closers and Coordinators**
- ▶ **Top Load Glazing Bead to  
Accommodate, 1/4", 3/8", and  
1/2" Glass**



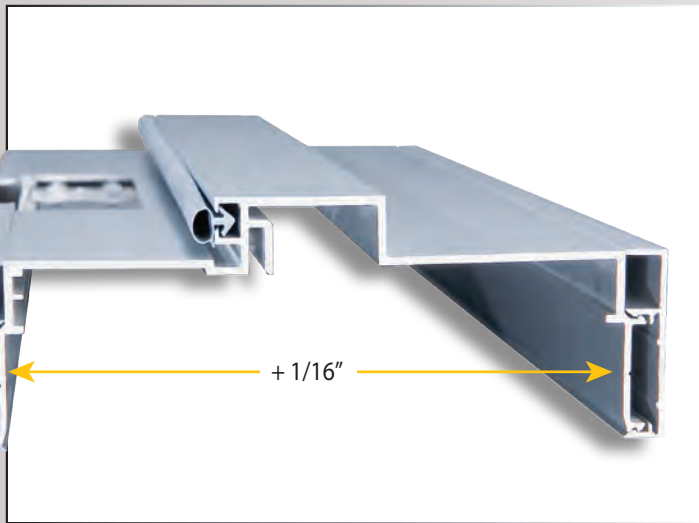




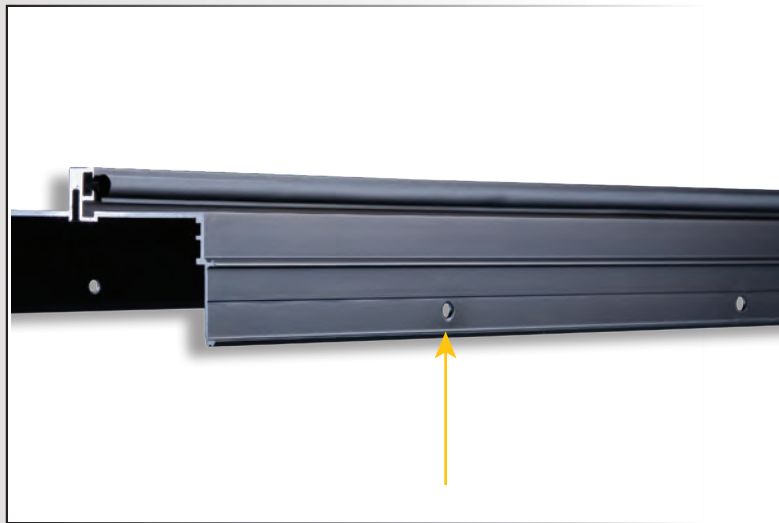
Two stop designs offered, our "E" stop for matching existing 7/16" blade profiles, and "Standard" stop profile with a full 1-3/8" surface, great for mounting over head hardware.



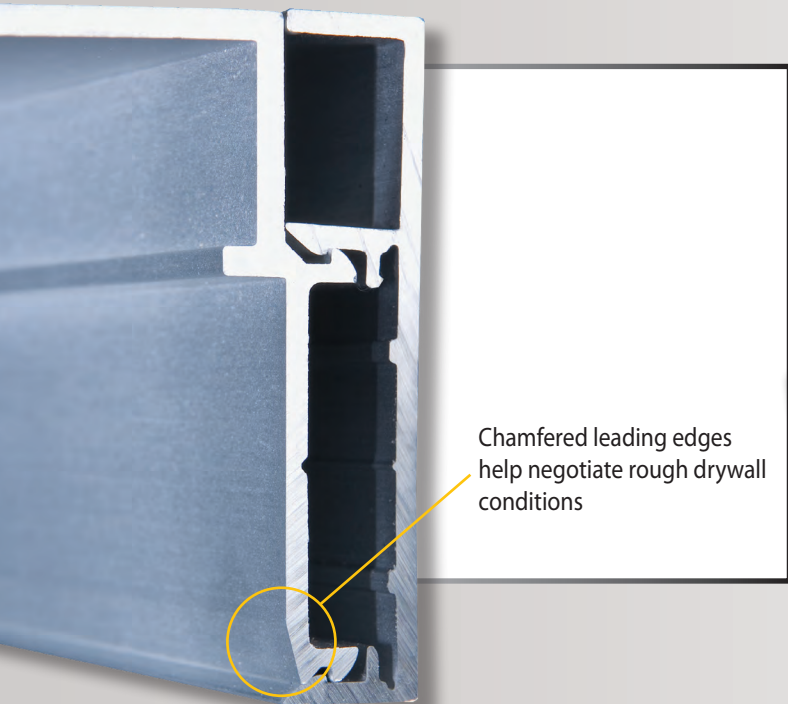
Concealed intumescent pocket eliminates the need for unsightly tape, or costly Category "A" constructed doors.



1/16" expanded throat makes installation easier.



Pre-drilled mounting holes help eliminate the need for self tapping screws, and speed up the installation process saving time and money.

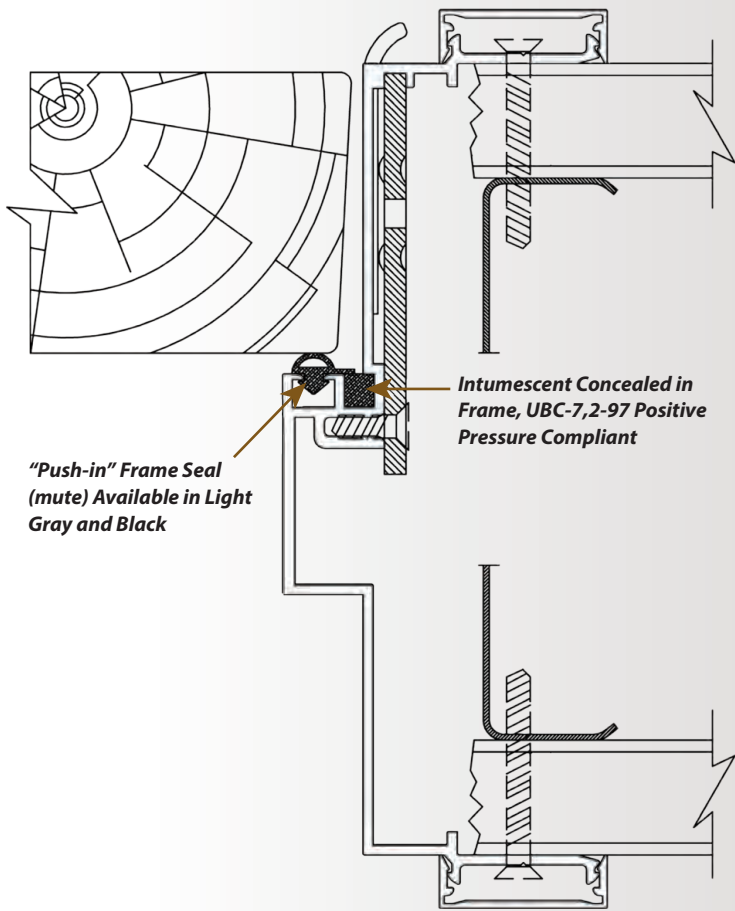


Chamfered leading edges help negotiate rough drywall conditions



Wall conditions from 3-1/4" to 11-1/8" available with our variable frames in both Standard and E stop options.



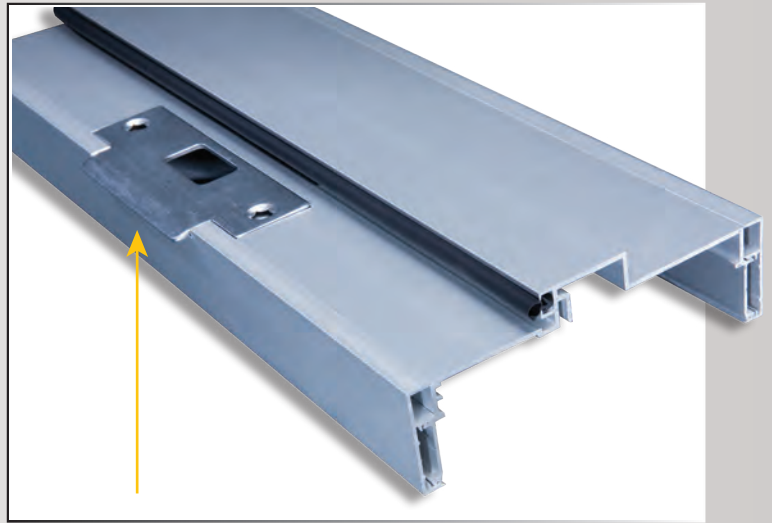


*"Push-in" Frame Seal (mute) Available in Light Gray and Black*

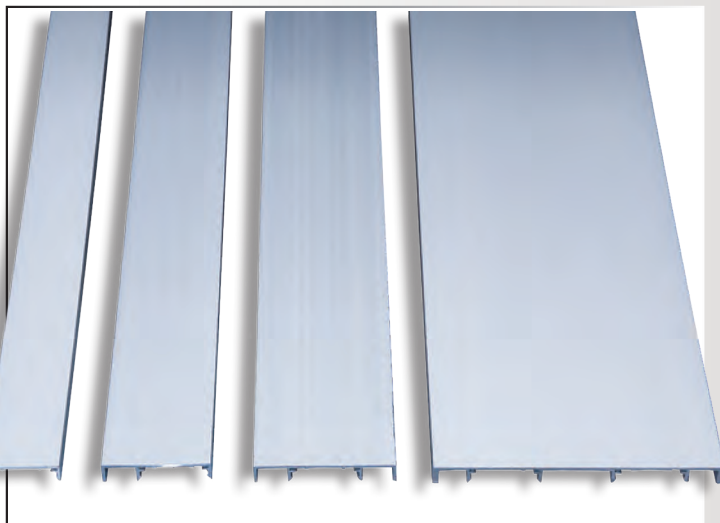
*Intumescent Concealed in Frame, UBC-7,2-97 Positive Pressure Compliant*



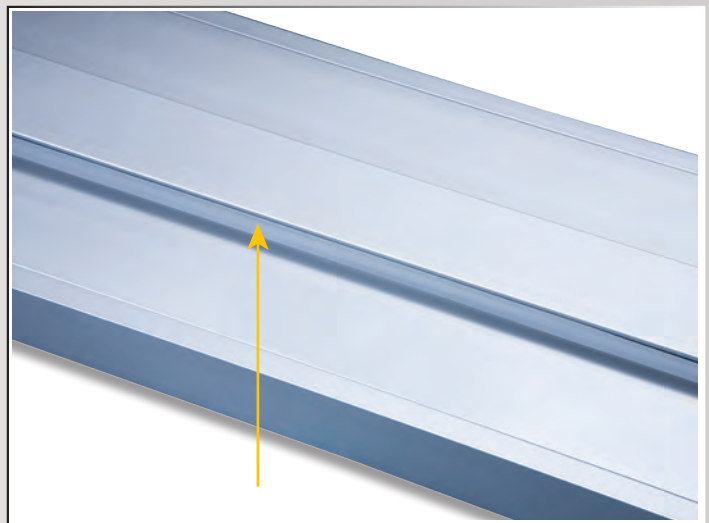
With the largest prep options available, we offer both a standard 4-7/8" ASA or T-Strike prep at no additional charge.



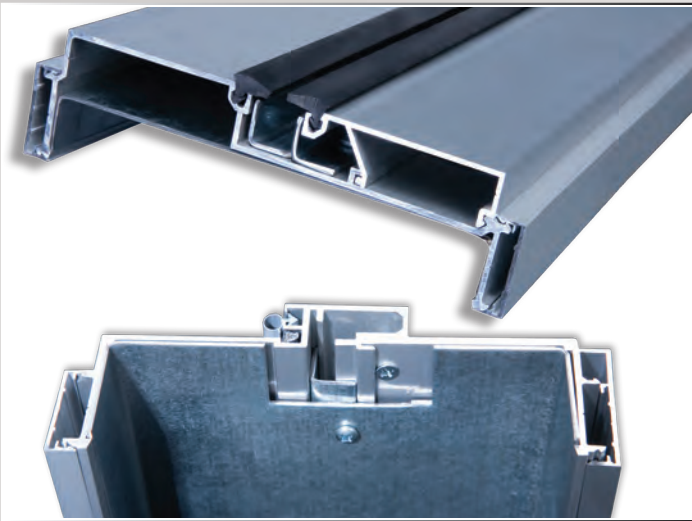
Unique "Standard" stop profile frame saves money. Extended Lip strike plates are not required.



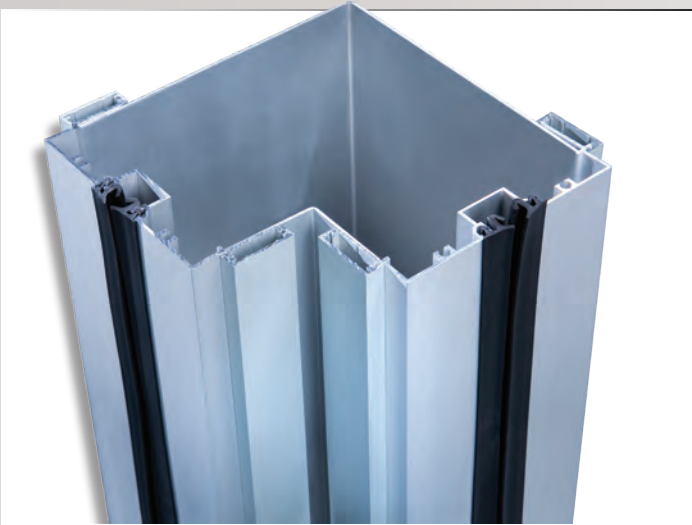
We offer a full assortment of the most commonly used trims in the industry, with 1", 1-1/2" (reversible), 2" and 4".



"Standard" stop profile features a full 1-3/8" mounting surface. Over head hardware systems require no additional brackets or engineering.



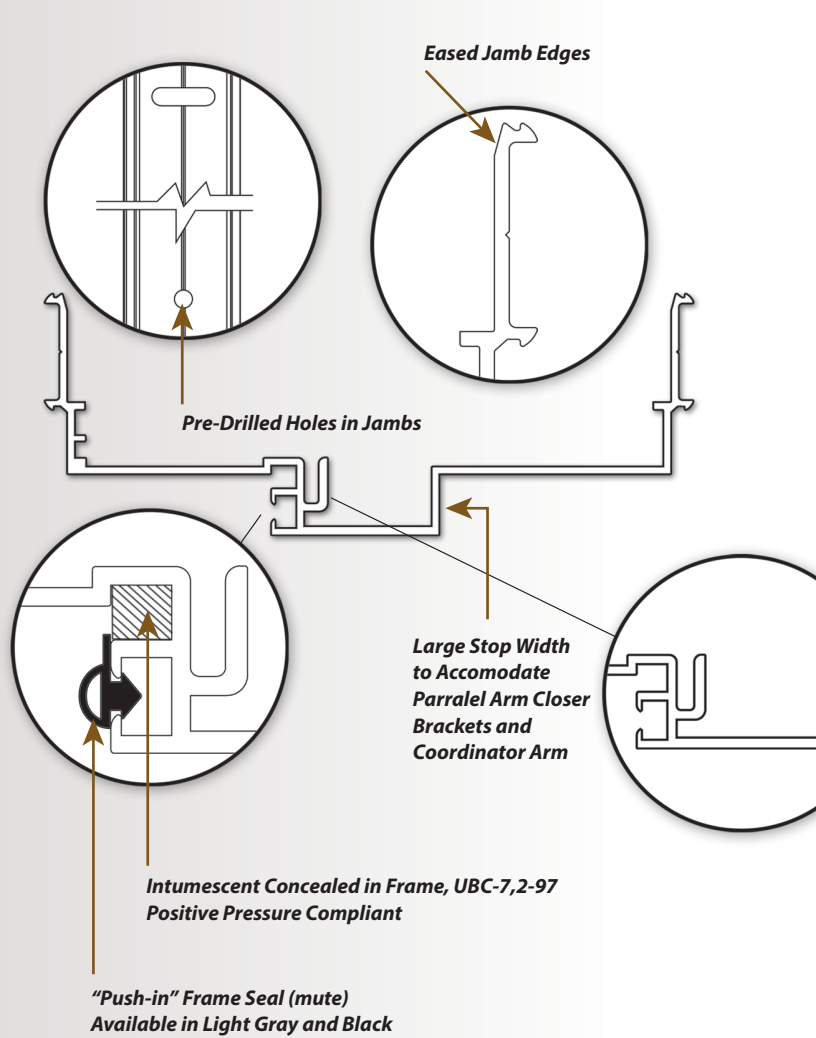
We offer the highest fire ratings in the industry for aluminum products. 3/0 8/0 5" wall and 7-1/4" wall 45 minute Borrowed lite frame along with 4/0 9/0 singles and 6/0 8/0 pair 90 minute frames from 4-7/8" – 11-1/4" wall sizes.



A corner post is great way to save time, labor and material cost.



Pre-assembled vertical and horizontal mullions offer savings in time and labor.



Top loading glazing bead offers the definition of streamline design to any project. One extrusion, three glass options.



Save time and labor when ordering any borrowed light system. We factory install half of all glazing bead.

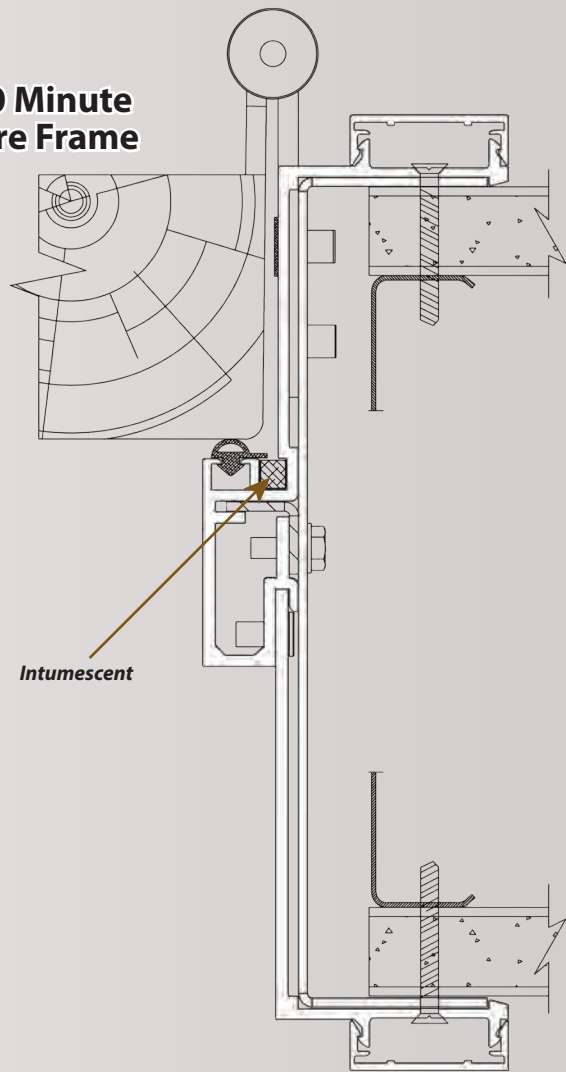


Top loaded glazing bead system features three colors, black, grey, and white.

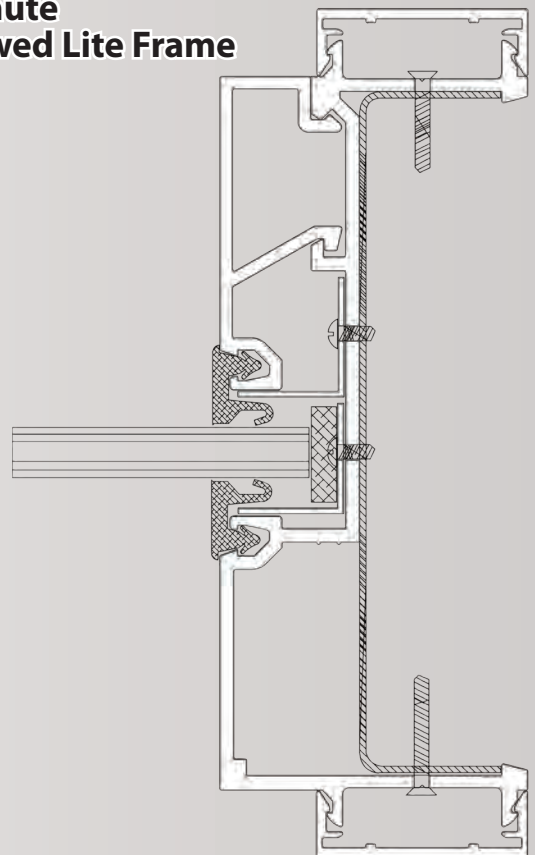


Save time and labor in paired applications as well, when ordering a paired unit we provide a revisable strike plate at no additional charge.

### 90 Minute Fire Frame



### 45 Minute Borrowed Lite Frame







Save time on both labor and installation with a "Standard" stop head, eliminating the need for brackets and over head reinforcements for door coordinators and parallel arm brackets.

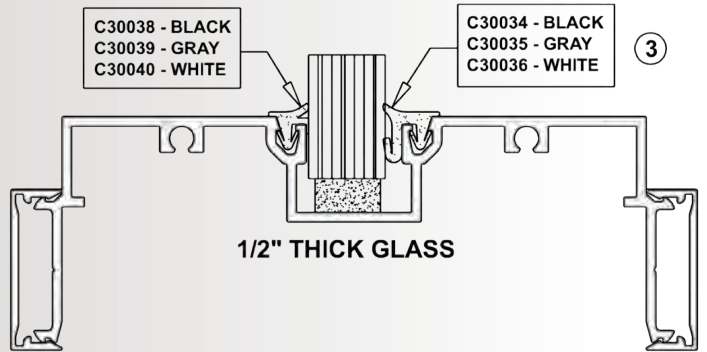
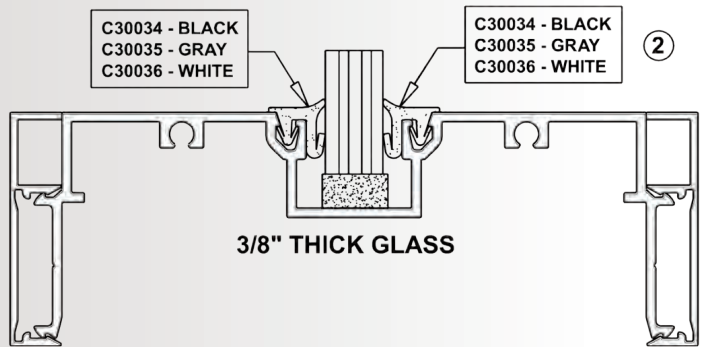
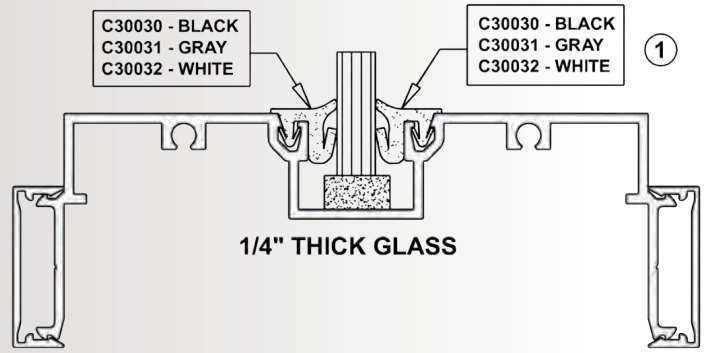


Aluminum pocket frame works in conjunction with wood pocket door frame (included).



ABS Architectural Components 560361-00-01-2  
 PART NUMBER: FDR-CL-334-E  
 LENGTH: 37 7/32 DATE: 5/27/2011  
 DESCRIPTION: DOOR FRAME HEADER

We label and identify every component for your convenience. Includes part, length, invoice, and inspector number on every label.



Each component is individually wrapped, boxed and labeled for easy identification and handling.



# Interior Aluminum Doors

- ▶ Class II Clear Anodize
- ▶ Class II Bronze Anodize
- ▶ Wild Stile Layout
- ▶ Multiple Glass Types
- ▶ Sizes up to 4/0 9/0
- ▶ ADA Compliant







## Interior Aluminum Doors

Doormerica Interior Aluminum Doors are the perfect solution when your project calls for a swinging aluminum door. Our heavy duty construction and versatile stile layout accommodates most popular hardware applications while meeting the needed job code requirements.



### FEATURING:

- ▶ Class II Clear Anodize
- ▶ Class II Bronze Anodize
- ▶ Factory Welded Corners
- ▶ Sizing up to 4/0 9/0
- ▶ Available in B2, B1, and Square Edge
- ▶ Multiple Glass Designs:  
Rain • Reed • Clear Tempered  
White Lami • P516 Obscure  
Open for glass by others
- ▶ ADA Title 24 Compliant
- ▶ Prepped for standard weight hinges  
4.5" x 4.5" x .134 with cylindrical,  
mortise locks, or panic hardware preps.
- ▶ Available with an optional top  
bracket for hanging sliding hardware  
applications.

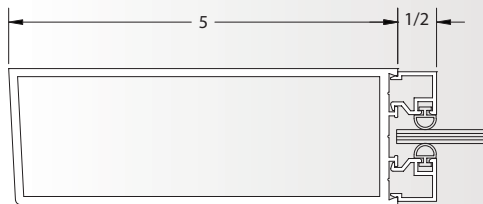
**Glass Options:**



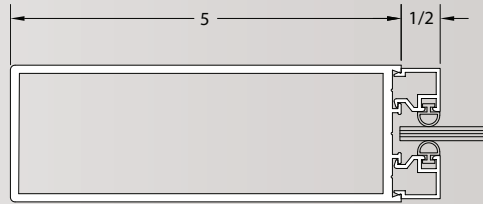
Aluminum Doors will work in conjunction with our Aluminum Pocket Frame



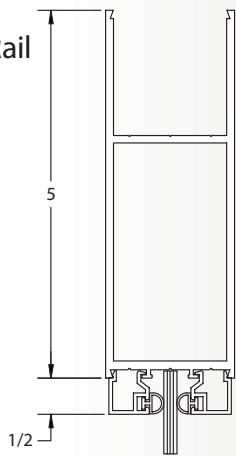
Beveled Stile



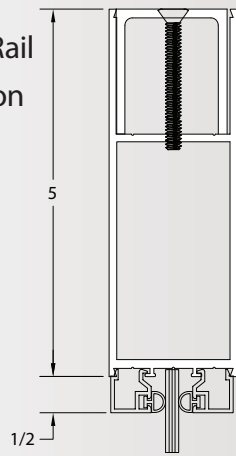
Square Stile



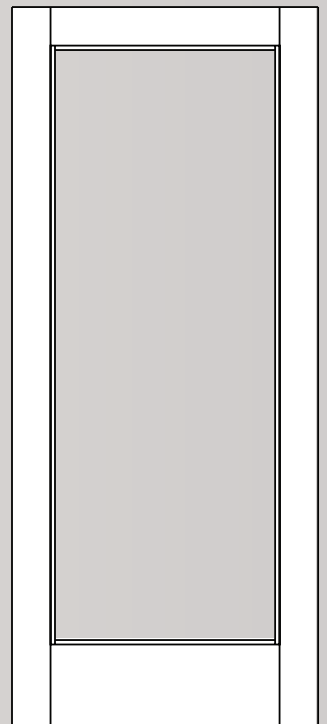
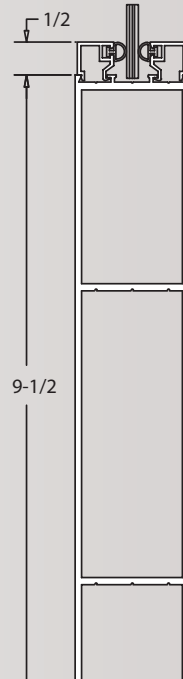
Top Rail



Top Rail Option



Bottom Rail





# Interior Aluminum Doors



888-454-2888 (Toll Free)

888-454-2889 (Fax)

[www.doormerica.com](http://www.doormerica.com)

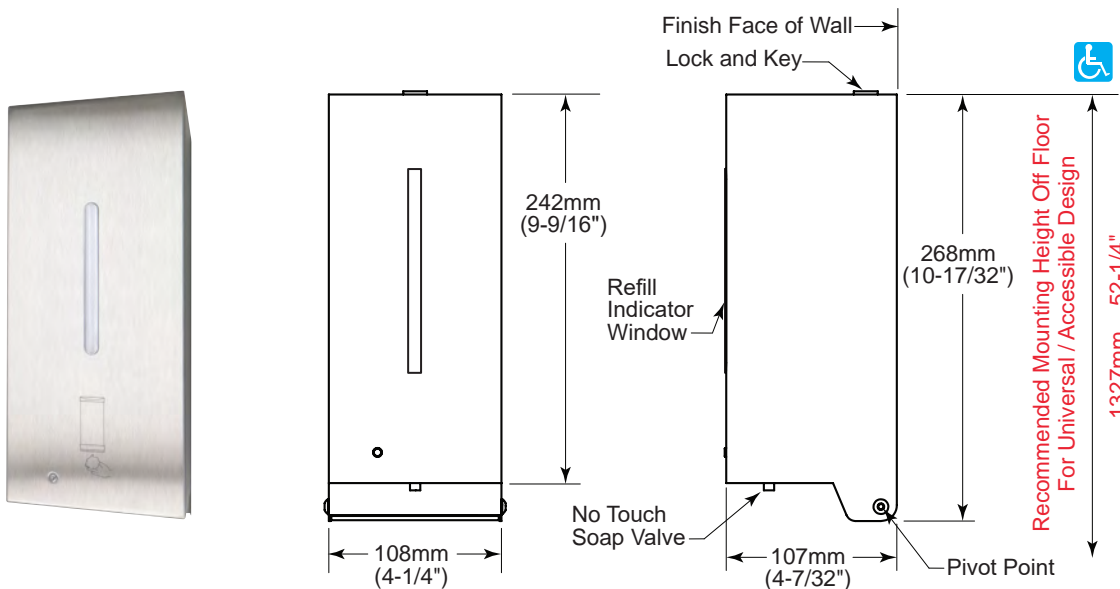


AC 820



**BOBRICK**

Technical Data

**AUTOMATIC  
WALL-MOUNTED  
FOAM SOAP DISPENSER****B-2013****MATERIALS:**

**Housing** — Welded 18-8, Type-304, 18-gauge (1.0 mm) stainless steel with satin-finish. Plastic back plate incorporates mounting screw holes and mounting tape. Equipped with concealed mounting, clear acrylic refill-indicator window and key lock. Refillable, plastic container. Capacity: 800 ml (27-fl oz).

**Valve** — No-touch, sensor-activated valve suitable for foam soap, concentrated foam soap or cartridge type of foam soap.

**Spare Part** — Replace 2013-25 foam pump every three to six months, depending on usage, if using the dispenser with alcohol-based foam solutions.

**OPERATION:**

To fill the dispenser, remove the lid and fill with foaming hand soap solution. Dispenses foaming hand soap solution of viscosities ranging from 0-150 cps. After filling soap container, DO NOT TIGHTEN lid. Air flow is necessary inside the container for dispensing. To activate the dispenser, place hand under spout for approximately one second. Sensing range comes at factory setting of 60mm (2-1/2"). The sensing range set by the factory is recommended for optimal performance. Window indicates when refill is required. The locked, hinged housing opens for re-filling only with special key provided. Requires four (4) Alkaline "AA" Cell Batteries, 1.5V (not included). Blue indicator light signals "IN USE". Flashing blue light signals "LOW BATTERY." CE Certified.

**INSTALLATION:**

Install dispenser at least 200 mm (8") from any projection or horizontal surface which may interfere with the operation of the automatic sensor. Mount the dispenser to the wall by using the enclosed screws and wall plugs. The prepared mounting tape may also be used. Make sure the wall surface is cleaned and in good condition to ensure proper mating of the dispenser to the wall. Install four (4) Alkaline "AA" Cell Batteries, 1.5V and replace battery cover. After filling soap container, DO NOT TIGHTEN lid. Air flow is necessary inside the container for dispensing. Housing must be closed for dispenser to function.

**SPECIFICATION:**

Automatic wall-mounted soap dispenser shall be Type-304 stainless steel with satin-finish. Corrosion-resistant valve shall dispense a variety of foam soaps, iodine based foam soaps, and alcohol-based foam hand sanitizers. Note foam quality may vary when used with foam hand sanitizer. Valve shall be sensor-activated and not require contact with the dispenser to function. Lockable housing shall be equipped with a clear acrylic refill-indicator window and be hinged for refilling and maintenance. Container shall have a capacity of 800 ml (27-fl oz). Unit shall have CE Certification.

**Automatic Wall-Mounted Foam Soap Dispenser shall be Model B-2013 of Bobrick Washroom Equipment, Inc., Clifton Park, New York; Jackson, Tennessee; Los Angeles, California; Bobrick Washroom Equipment Company, Scarborough, Ontario; Bobrick Washroom Equipment Pty. Ltd., Australia; and Bobrick Washroom Equipment Limited, United Kingdom.**



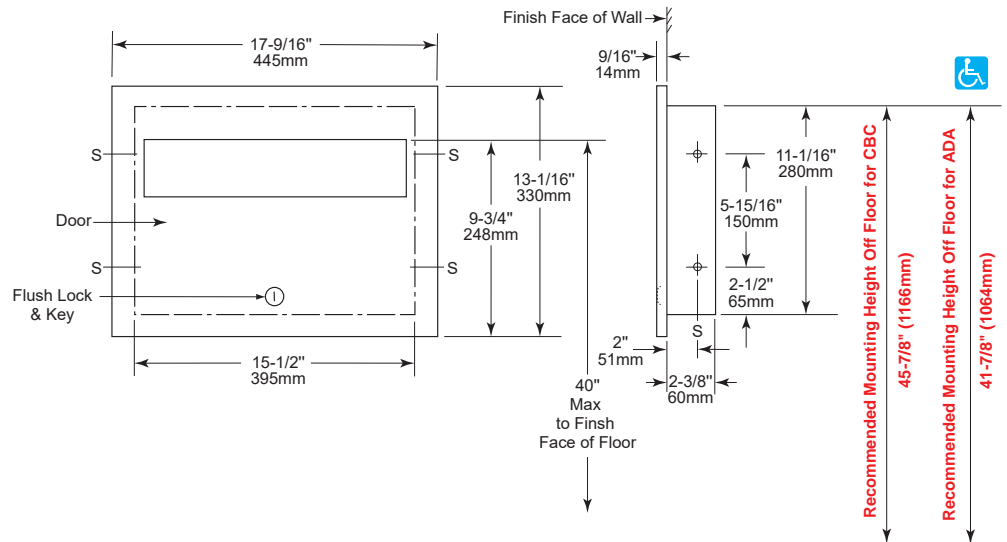
Technical Data

# RECESSED TOILET-SEAT-COVER DISPENSER

# B-3013

### Specify Finish Required

- Stainless Steel, Satin Finish
- Matte Black Finish, please use model no. B-3013.MBLK



**Rough Wall Opening**  
 15-7/8" (405mm) wide  
 11-7/16" (290mm) high  
 2-3/4" (70mm) minimum recessed depth

### MATERIALS:

**Cabinet** — 18-8, Type-304, heavy-gauge stainless steel. All-welded construction.

**Door** — 18-8, Type-304, 18-gauge (1.2mm) stainless steel with satin finish. 9/16" (14mm) 90° return for maximum rigidity. Secured to cabinet with a concealed, full-length stainless steel piano-hinge. Equipped with a tumbler lock keyed like other Bobrick washroom accessories. Tumbler lock flush with the door - no protrusion.

### OPERATION:

Dispenses single- or half-fold paper toilet seat covers. To fill dispenser, door unlocks with key provided. Capacity: 500 toilet seat covers.

### INSTALLATION:

Provide framed rough wall opening 15-7/8" wide x 11-7/16" high (405 x 290mm). Minimum recessed depth required from finish face of wall is 2-3/4" (70mm). Allow clearance for construction features that may protrude into rough wall opening from opposite wall. Coordinate with mechanical engineer to avoid pipes, vents, and conduits in wall. Mount cabinet with shims between framing and cabinet at all points indicated by an S, then secure unit with four #8 x 1-1/4" (4.2 x 32mm) sheet-metal screws (not furnished).

### SPECIFICATION:

Recessed toilet-seat-cover dispenser shall be Type-304 stainless steel with all-welded construction; exposed surfaces shall have satin finish. Door shall be 18 gauge (1.2mm); have 9/16" (14mm) 90° return edges; be secured to cabinet with a concealed, full-length stainless steel piano-hinge. Equipped with a tumbler lock keyed like other Bobrick washroom accessories. Tumbler lock flush with the door - no protrusion. Dispenser shall have a minimum capacity of 500 paper toilet seat covers.

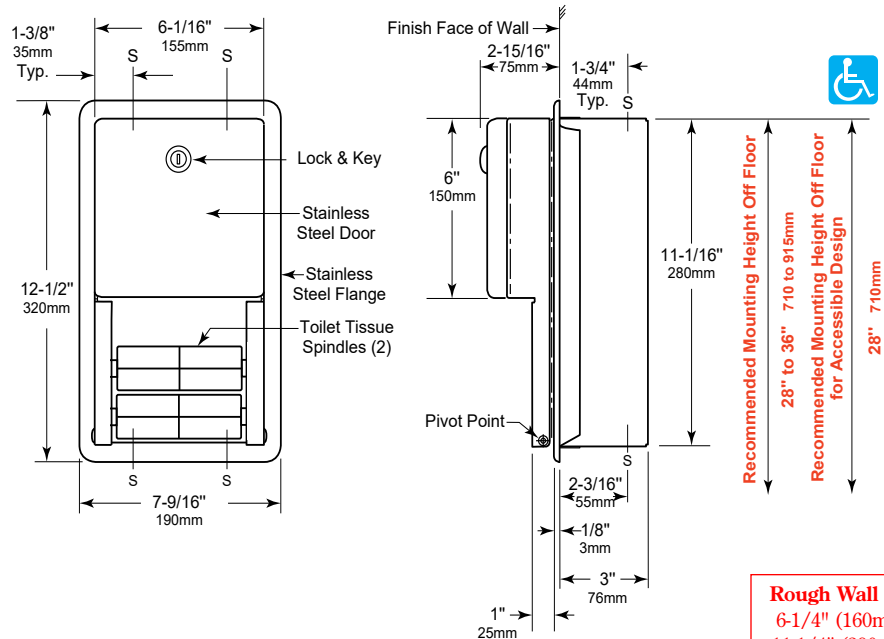
**Recessed Toilet-Seat-Cover Dispenser shall be Model B-3013 of Bobrick Washroom Equipment, Inc., Clifton Park, New York; Jackson, Tennessee; Los Angeles, California; Bobrick Washroom Equipment Company, Scarborough, Ontario; Bobrick Washroom Equipment Pty. Ltd., Australia; and Bobrick Washroom Equipment Limited, United Kingdom.**



Technical Data

# REc ESSEd MuLTI-ROLL TOILET TISSuE dISpEnSER

# B-3888



**Rough Wall Opening**  
 6-1/4" (160mm) wide  
 11-1/4" (290mm) high  
 3-1/8" (80mm) minimum  
 recessed depth

### MATERIALS:

**Cabinet** — 18-8, type-304, 22-gauge (0.8mm) stainless steel. Welded construction. Exposed surfaces have satin finish.

**Flange** — 18-8, type-304, 22-gauge (0.8mm) stainless steel with satin finish. Drawn, one-piece, seamless construction.

**Door** — 18-8, type-304, 22-gauge (0.8mm) stainless steel with 18-gauge (1.2mm) stainless steel door frame. Exposed surfaces have satin finish. Front of door is drawn, one-piece, seamless construction. Secured to cabinet with two rivets. Equipped with a tumbler lock keyed like other Bobrick washroom accessories.

**Dispensing Mechanism, Inner Housing and Cam** — 18-8, type-304, 18-gauge (1.2mm) stainless steel.

**Spindles (2)** — Heavy-duty, one-piece, molded ABS. Theft-resistant, spindles retained in dispensing mechanism when door is locked.

### OPERATION:

Unit holds two standard-core toilet tissue rolls up to 5-1/4" (133mm) diameter (1800 sheets). Tissue rolls are loaded and locked into dispensing mechanism. Extra roll automatically drops in place when bottom roll is depleted. Depleted rolls can only be removed after unlocking door.

### INSTALLATION:

Provide framed rough wall opening 6-1/4" wide x 11-1/4" high (160 x 290mm). Minimum recessed depth required to finish face of wall is 3-1/8" (80mm). Allow clearance for construction features that may protrude into opening from opposite wall. Coordinate with mechanical engineer to avoid pipes, vents, and conduits. Mount unit with shims between framing and cabinet at all points indicated by an S, then secure unit with sheet-metal screws (not furnished).

### Specification:

Recessed multi-roll toilet tissue dispenser shall be type-304 stainless steel with welded construction, including dispensing mechanism, inner housing and cam; exposed surfaces shall have satin finish. Front of toilet tissue dispenser door shall be drawn, one-piece, seamless construction. Door shall be secured to cabinet with two rivets and equipped with a tumbler lock keyed like other Bobrick washroom accessories. Flange shall be drawn, one-piece, seamless construction. Unit shall dispense two standard-core toilet tissue rolls up to 5-1/4" (133mm) diameter (1800 sheets). Extra roll shall automatically drop in place when bottom roll is depleted. Unit shall be equipped with two heavy-duty, one-piece, molded ABS spindles. Theft-resistant, spindles retained in dispensing mechanism when door is locked.

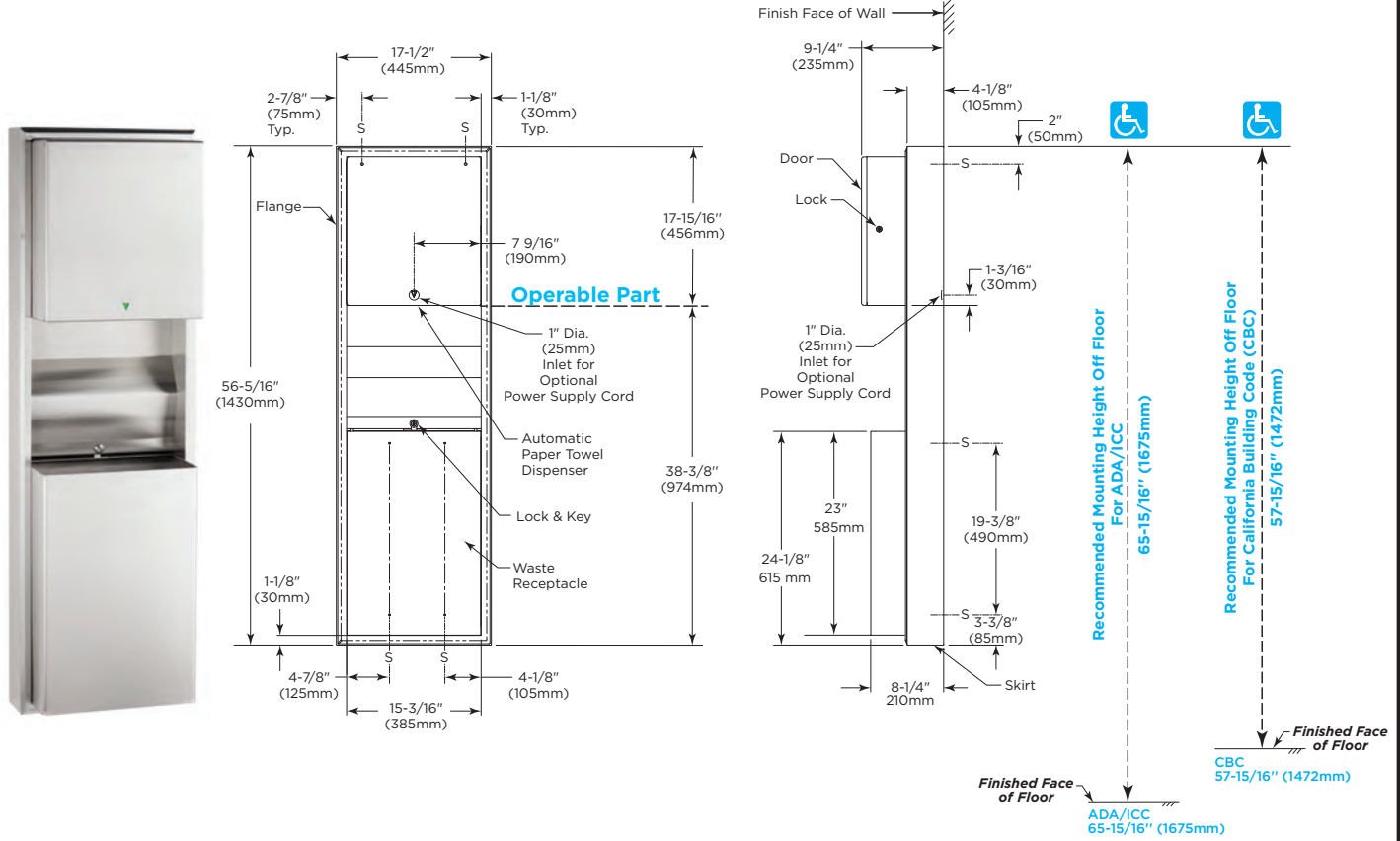
**Recessed Multi-Roll Toilet Tissue Dispenser shall be Model B-3888 of Bobrick Washroom Equipment, Inc., Clifton Park, New York; Jackson, Tennessee; Los Angeles, California; Bobrick Washroom Equipment Company, Scarborough, Ontario; Bobrick Washroom Equipment Pty. Ltd., Australia; and Bobrick Washroom Equipment Limited, United Kingdom.**



Technical Data

# ClassicSeries<sup>®</sup> SURFACE-MOUNTED CONVERTIBLE AUTOMATIC UNIVERSAL ROLL PAPER TOWEL DISPENSER AND WASTE RECEPTACLE

# B-3979



**ADA/CBC Installation Guidance**

**\*Operable Part:** Towel dispenser towel outlet

**Maximum mounting height of Operable Part:**  
 ADA/ICC: 48" maximum above finished floor (AFF)  
 CBC: 40" maximum above finished floor (AFF)

*\*For more information regarding operable parts, please refer to Bobrick Planning Guide for Accessible Restrooms, page 9.*

### MATERIALS:

- Cabinet** — 18-8, Type-304, heavy-gauge stainless steel. Welded construction. Exposed surfaces have satin-finish. Equipped with a tumbler lock keyed like other Bobrick washroom accessories.
- Flange** — 18-8, Type-304, 22-gauge (0.8mm) stainless steel with satin-finish. Drawn and beveled, one-piece, seamless construction.
- Door** — 18-8, Type-304, 20-gauge (0.9mm) stainless steel with satin-finish. Drawn, one-piece, seamless construction. Secured to cabinet with full-length, stainless steel piano-hinge. Equipped with a tumbler lock keyed like other Bobrick washroom accessories.
- Automatic Roll Towel Dispenser** — Durable, high-impact resin materials. Accepts universal standard-core, non-perforated rolls up to 8" (205mm) wide, 8" (205mm) diameter. 800 ft (244 m) long. Dispenses one towel per dispense and can be set to dispense paper towels at three different lengths. Accommodates up to 3-1/2" (90mm) diameter stub roll with automatic transfer to full roll.

continued . . .

**Waste Receptacle** — 18-8, Type-304, 22-gauge (0.8mm) stainless steel with satin finish. Edges hemmed for safe handling. Secured to cabinet with a tumbler lock keyed like other Bobrick washroom accessories. Capacity: 12-gal. (45.5-L).

**OPERATION:**

Adjustable (2", 3.5", 4") electronic sensor automatically dispenses towel when hands are placed under the towel opening. Intuitive LED light on door directs patrons to dispense area. Dispenses universal, 1-1/2" to 2" (38 to 51mm) diameter core, up to 8" (205mm) diameter, 8" (205mm) wide, non-perforated, non-proprietary paper towel rolls. LED light on the door flashes green when dispenser is ready to dispense, flashes red to indicate paper maintenance is required and red and green (alternating) to indicate low battery. Towel length can be set to short (10"), medium (12") and long (14") lengths. Dispenser can be set to "exposed" or "hidden" mode which determines whether a paper towel hangs down when in idle mode. Customizable sensor range can be set to 4", 6" or 8". Dispenser includes a 3-1/2" (90mm) diameter stub roll feature. Paper advance button dispenses paper when pressed.v

To empty waste receptacle, unlock with key provided.

**NOTE:** LinerMate™ sold as an optional accessory to accommodate disposable trash liners. LinerMate eliminates unsightly trash liner overhang and facilitates installation and removal of disposable trash liners in the 12-gallon (45.5 L) waste receptacle.

*Options:*

- Folded Towel Dispenser Module convertible in field: order Bobrick Part No. 3944-152.
- Mechanical (Non-Automatic) Universal Touch-Free Roll Towel Dispenser Module convertible in field: order Bobrick Part No. 3961-50.
- 18-gallon (68 L) Waste Receptacle: order Bobrick Part No. 368-60.
- LinerMate™ for 12-gal (45.5 L) waste only: order Bobrick Part No. 3944-134.

**POWER REQUIREMENTS:**

Dispenser is powered by 4 "D" size alkaline batteries (not furnished) or an external 6-volt AC to DC switching power supply. Power supply is an optional accessory: order Bobrick AC Adapter Kit Part No. 3974-57. (For non-U.S. compatible plugs, order Part No. 3974-58).

**INSTALLATION:**

Mount unit on wall with #8 x 1-1/4" (4.2 x 32mm) sheet-metal screws, (not furnished), at points indicated by an S. For plaster or dry wall construction, provide concealed backing to comply with local building codes, then secure unit with #8 x 1-1/4" (4.2 x 32mm) sheet-metal screws (not furnished). For other wall surfaces, provide fiber plugs or expansion shields for use with #8 x 1-1/4"(4.2 x 32mm) sheet-metal screws not furnished, or provide 1/8" (3mm) toggle bolts or expansion bolts. If unit projects above top of wainscot, provide aluminum channel or other filler to eliminate gap between shirt and finish face of wall.

Open battery cover toward the back in the dispenser and install 4 "D" size alkaline batteries. Select sheet length and sensor length using the switches on the right of the dispenser. Load paper towel using the instructions on the dispenser.

Electrical supply for use with 6-volt AC to DC power supply must be installed per applicable building codes.

**SPECIFICATION:**

Recessed convertible automatic universal roll paper towel dispenser and waste receptacle shall be Type-304 stainless steel with welded construction; exposed surfaces shall have satin-finish. Flange shall be drawn and beveled, one-piece, seamless construction. Door shall be secured to cabinet with a full-length stainless steel piano-hinge and equipped with a concealed tumbler lock keyed like other Bobrick washroom accessories. No-touch dispenser, equipped with an intuitive LED light to direct patrons to the dispense area, dispenses universal, 1-1/2" to 2" (38 to 51mm) diameter core, up to 8" (205mm) diameter, 8" (205mm) wide, non-perforated, non-proprietary paper towel rolls. 800 ft (244 m) long. Dispenser automatically dispenses towel when hands are placed under the towel opening. Dispenser can be powered by 4 "D" size alkaline batteries or an optional 6-volt AC to DC power supply. Equipped with switches that allow paper length to be set at 9" (230mm), 12" (305mm) or 15" (380mm) and "Paper Saver" feature that provides a shorter second sheet with options of 25% shorter and 12.5% shorter. LED light at the towel opening flashes green when dispenser is ready to dispense, flashes orange, indicating low battery, flashes red if not ready to dispense or in need of service. Automatic transfer shall dispense stub roll up to 3-1/2" (90mm) diameter before new main roll is automatically dispensed. Removable waste receptacle shall be secured to cabinet with a tumbler lock, edges hemmed for safe handling, and shall have a minimum capacity of 12-gal. (45.5-L).

**Surface-Mounted Convertible Automatic Universal Roll Paper Towel Dispenser And Waste Receptacle shall be Model B-3979 of Bobrick Washroom Equipment, Inc., Clifton Park, New York; Jackson, Tennessee; Los Angeles, California; Bobrick Washroom Equipment Company, Scarborough, Ontario; Bobrick Washroom Equipment Pty. Ltd., Australia; and Bobrick Washroom Limited, United Kingdom.**

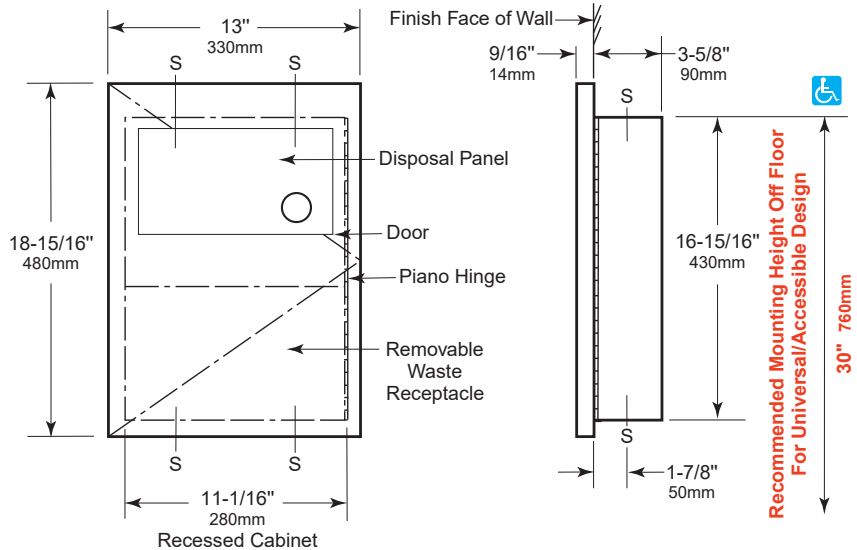




Technical Data

# recessed sanitary napkin disposal

# B-35303



**Rough Wall Opening**  
 11-1/2" (290mm) wide  
 17-1/4" (440mm) high  
 3-3/4" (95mm) minimum  
 recessed depth

**materials:**

**Cabinet** — 18-8, type-304, stainless steel. All-welded construction.

**Door** — 18-8, type-304, 18-gauge (1.2mm) stainless steel with satin finish. 9/16" (14mm) 90° return for maximum rigidity. Secured to cabinet with a concealed, full-length stainless steel piano-hinge.

**Disposal Panel** — 18-8, type-304, 22-gauge (0.8mm) stainless steel with satin finish. Secured to door with a concealed, full-length stainless steel piano-hinge. Self-closing panel has international graphic symbol identifying napkin disposal.

**Waste Receptacle** — Leak-proof rigid molded polyethylene. Removable for servicing. Capacity: 1.2-gal. (4.6-L).

**operation:**

Unit is equipped with self-closing panel covering disposal opening. Napkin disposal is emptied by opening door and removing waste receptacle. Disposable paper liners for napkin receptacle are available as optional accessory: order Bobrick Part No. 353-12.

**installation:**

Provide framed rough wall opening 11-1/2" wide x 17-1/4" high (290 x 440mm). Minimum recessed depth required to finish face of wall is 3-3/4" (95mm). Allow for construction features that may protrude into rough wall opening from opposite wall. Coordinate with mechanical engineer to avoid pipes, vents, and conduits. If unit projects above top of wainscot, provide aluminum channel or other filler to eliminate gap between flange and finish face of wall. Mount unit in wall opening with shims between framing and cabinet at all points indicated by an S, then secure unit with #8 x 1-1/4" (4.2 x 32mm) sheet-metal screws (not furnished).

**specification:**

Recessed sanitary napkin disposal shall be type-304 stainless steel with all-welded construction; exposed surfaces shall have satin finish. Door shall have 9/16" (14mm) 90° return and be equipped with a concealed, full-length stainless steel piano-hinge. Napkin disposal shall have self-closing stainless steel panel covering receptacle opening. Panel shall be equipped with full-length stainless steel piano-hinge and international graphic symbol identifying napkin disposal. Unit shall be furnished with a removable, leakproof, molded polyethylene receptacle. Receptacle shall have a capacity of 1.2-gal. (4.6-L).

**Recessed Sanitary Napkin Disposal shall be Model B-35303 of Bobrick Washroom Equipment, Inc., Clifton Park, New York; Jackson, Tennessee; Los Angeles, California; Bobrick Washroom Equipment Company, Scarborough, Ontario; Bobrick Washroom Equipment Pty. Ltd., Australia; and Bobrick Washroom Equipment Limited, United Kingdom.**

# Heavy Duty Pull Plates



1010-3



1015-3



1017-3

The Trimco's **Heavy Duty Pull Plates** combine the 1001 Series Push Plate with a large offering of different grip styles. These ADA compliant pull plates are available in 3"x12", 3-1/2"x15" and 4"x16" standard plate sizes and are mated with your choice of cast traditional or tapered pulls, half-round, 3/4 round, full round or bent bar type pulls. Custom plate sizes and finishes are also available.

## APPLICATIONS

- Retail & Strip Malls
- Commercial & Industrial Buildings
- Multifamily & Mixed-Use
- Government & Military Facilities
- Public Buildings & Facilities

## PRODUCT FEATURES

- Combines 1001 Series Plate with a wide range of grips.
- Plates are made of heavy duty .050" stainless steel, brass, or bronze and are heavy beveled on all four sides.
- Standard plate sizes include 3"x12", 3-1/2"x15" and 4"x16". Custom sizes and finishes also available.
- Available in a wide range of architectural materials and finishes including anti-microbial copper alloys.

## SPECIFICATIONS

### STANDARDS

BHMA J405



ANSI A117.1  
Accessibility Code  
(ADA Compliant)

### SERIES

<b>1010</b>	Cast Traditional Pull
<b>1012</b>	Cast Tapered Pull
<b>1013</b>	3/4" Round Pull
<b>1014</b>	Half-Round Pull
<b>1015</b>	Bar Pull
<b>1017</b>	3/4" Dia. Round Pull
<b>1018</b>	1" Dia. Round Pull

### MATERIAL OPTIONS

**BR** – Brass  
**BZ** – Bronze  
**PL** – Chrome Plated Brass or Bronze Castings  
**AI** – Aluminum  
**SS** – Stainless Steel  
**CU\*** – Copper Alloy

### WARRANTY

Limited Lifetime Warranty

## FINISHES

<b>605</b>	Polished Brass
<b>606</b>	Satin Brass, Dull
<b>612</b>	Satin Bronze
<b>613</b>	Oil Rubbed Bronze
<b>625</b>	Polished Chrome
<b>626</b>	Satin Chrome
<b>628</b>	Satin Aluminum, Clear Anodized
<b>629</b>	Polished Stainless Steel
<b>630</b>	Satin Stainless Steel
<b>706</b>	Sterose Copper (rose)
<b>710</b>	Steralloy Copper (silver)
<b>SPEC</b>	Special Options Available

## Heavy Duty Pull Plates

### HOW TO SPECIFY & ORDER

#### CHOOSE THE FOLLOWING

Series	Pull Type	Pull Plate Part #	Pull CTC	Plate Dimensions	Plate Thickness	Finishes	Options
1010	Cast Traditional Pull	1010-1	5"	3" x 12"	.050"	<b>605</b> Polished Brass	<ul style="list-style-type: none"> <li>• <b>Cut-Cyl</b> Cut for Cylinder</li> <li>• <b>Cylt</b> Cut for T-Turn</li> <li>• <b>FR</b> Full Round</li> <li>• <b>RC</b> Round Corners</li> <li>• <b>Adhesive</b> Tape Mounted</li> </ul>
		1010-2	5"	3-1/2" x 15"		<b>606</b> Satin Brass	
		1010-3	5"	4" x 16"		<b>612</b> Satin Bronze	
1012	Cast Tapered Pull	1012-2	5-1/2"	3-1/2" x 15"		<b>613</b> Oil Rubbed Bronze	
		1012-3	5-1/2"	4" x 16"		<b>625</b> Polished Chrome	
1013	¾ Round Pull	1013-2	5-1/2"	3-1/2" x 15"		<b>626</b> Satin Chrome	
		1013-2B	8"	3-1/2" x 15"		<b>628</b> Satin Aluminum, Clear Anodized	
		1013-3	5-1/2"	4" x 16"		<b>629</b> Polished Stainless Steel	
		1013-3B	8"	4" x 16"		<b>630</b> Satin Stainless Steel	
1014	Half-Round Pull	1014-2	6"	3-1/2" x 15"		<b>706</b> Sterose Copper (Rose)	
		1014-2B	8"	3-1/2" x 15"		<b>710</b> Steralloy Copper (Silver)	
		1014-3	6"	4" x 16"		<b>SPEC</b> Special Options Available	
		1014-3B	8"	4" x 16"			
1015	Bar Pull	1015-2	6"	3-1/2" x 15"			
		1015-2B	8"	3-1/2" x 15"			
		1015-3	6"	4" x 16"			
		1015-3B	8"	4" x 16"			
1017	¾" Dia. Round Pull	1017-2	6"	3-1/2" x 15"			
		1017-2B	8"	3-1/2" x 15"			
		1017-3	6"	4" x 16"			
		1017-3B	8"	4" x 16"			
		1017-3C	10"	4" x 16"			
1018	1" Dia. Round Pull	1018-2	8"	3-1/2" x 15"			
		1018-2B	10"	3-1/2" x 15"			
		1018-3	8"	4" x 16"			
		1018-3B	10"	4" x 16"			

#### EXAMPLE

For an 8" CTC stainless steel 1" Dia. Round Pull mated with a 4" x 16" .050" thick plate, specify or order: **1018-3.626**

1010



1012



1013



1014



1015



1017



1018



\* Dimensions are informational only. Templates are available at [www.trimcobbw.com](http://www.trimcobbw.com)

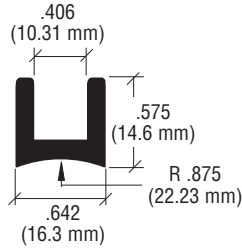
# CRL U-CHANNELS

For Pricing Visit Our Web Site or Call Us Toll Free at the Phone Numbers Shown on the Back Cover

## CRL 3/8" Polished Brass U-Channel

### SPECIFICATIONS:

**Material:** 260 Alloy Brass  
**Thickness:** .118 (3 mm)  
**Stock Length:** 12'-0" (3.66 m)  
**Typical Uses:** Secure glass panels to the tubing in partition post and sneeze guard installations



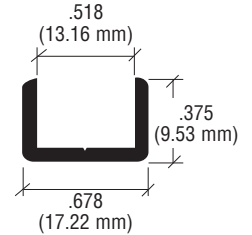
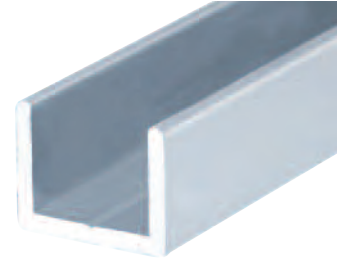
CAT. NO.	FINISH	QTY/CASE
SAC38BR	Polished Brass	20

Minimum order: 1 stock length. Five minimum to avoid Packing Charge.

## CRL 1/2" Aluminum U-Channel

### SPECIFICATIONS:

**Material:** 6063-T5 Aluminum Alloy  
**Thickness:** .080 (2.03 mm)  
**Stock Length:** 98" (2.49 m)  
**Typical Uses:** Bottom and side of fixed panels in frameless shower enclosures



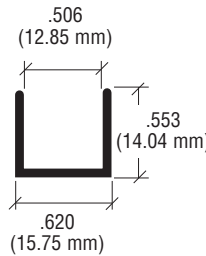
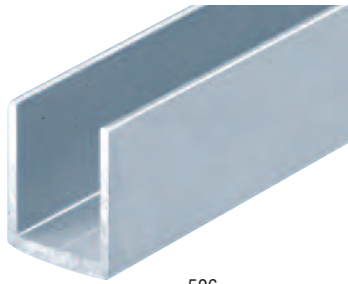
CAT. NO.	FINISH	QTY/CASE
SDCR12BA	Brite Anodized	50
SDCR12BGA	Brite Gold Anodized	50
SDCR12BN	Brushed Nickel	50

Minimum order: 1 stock length. Five minimum to avoid Packing Charge.

## CRL 1/2" Aluminum U-Channel

### SPECIFICATIONS:

**Material:** 6063-T5 Aluminum Alloy  
**Thickness:** .05 (1.45 mm)  
**Stock Length:** 12'-0" (3.66 m)  
**Typical Uses:** Generally used as a single track or side jamb



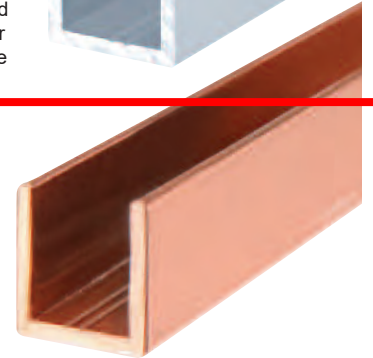
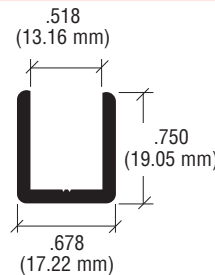
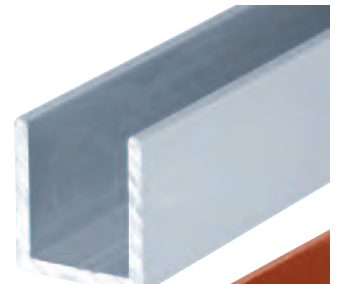
CAT. NO.	FINISH	QTY/CASE
D604A	Satin Anodized	50
D604BA	Brite Anodized	50
D604BGA	Brite Gold Anodized	50
D604BL	Flat Black	50
D604DU	Duranodic Bronze	50
D604GA	Gold Anodized	50

Minimum order: 1 stock length. Ten minimum to avoid Packing Charge.

## CRL 1/2" Aluminum U-Channel

### SPECIFICATIONS:

**Material:** 6063-T5 Aluminum Alloy  
**Thickness:** .080 (2.03 mm)  
**Typical Uses:** Most commonly used in frameless shower installations for securing fixed panels of glass to the wall, ceiling or floor



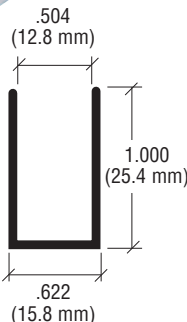
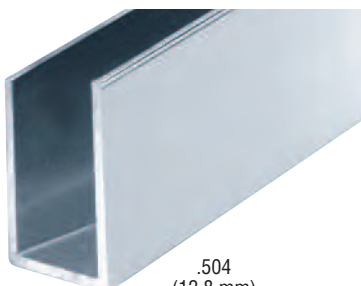
CAT. NO.	FINISH	LENGTH	QTY/CASE
SDCD12BA	Brite Anodized	98" (2.49 m)	40
SDCD12BBA	Brite Anodized	144" (3.66 m)	40
SDCD12BGA	Brite Gold Anodized	98" (2.49 m)	40
SDCD1212BGA	Brite Gold Anodized	144" (3.66 m)	40
SDCD12A	Satin Anodized	98" (2.49 m)	40
SDCD1212A	Satin Anodized	144" (3.66 m)	40
SDCD12AB	Brushed Anodized	98" (2.49 m)	40
SDCD12PN	Polished Nickel	98" (2.49 m)	40
SDCD12BN	Brushed Nickel	98" (2.49 m)	40
SDCD1212BN	Brushed Nickel	144" (3.66 m)	40
SDCD12SN	Satin Nickel	98" (2.49 m)	40
SDCD12SB	Satin Brass	98" (2.49 m)	40
SDCD12ABR	Antique Brass	98" (2.49 m)	40
SDCD12ORB	Oil Rubbed Bronze	98" (2.49 m)	40
SDCD12ABCO	Antique Brushed Copper	98" (2.49 m)	40
SDCD12PCO	Polished Copper	98" (2.49 m)	40
SDCD12BL	Black	98" (2.49 m)	40
SDCD12W	White	98" (2.49 m)	40

Minimum order: 1 stock length. Five minimum to avoid Packing Charge.

## CRL 1/2" Aluminum U-Channel

### SPECIFICATIONS:

**Material:** 6063-T5 Aluminum Alloy  
**Thickness:** .059 (1.5 mm)  
**Stock Length:** 12'-0" (3.66 m)  
**Typical Uses:** Used for edge protection or decorative trim



CAT. NO.	FINISH	QTY/CASE
DV750A	Satin Anodized	50
DV750BA	Brite Anodized	50
DV750BGA	Brite Gold Anodized	50

Minimum order: 1 stock length. Ten minimum to avoid Packing Charge.

All finishes and shapes can be combined for quantity pricing. A Packing Charge will be added to orders of fewer than the number of specified lengths. Stock lengths longer than 98" (2.49 m) must ship common carrier, unless you specify we cut them for U.P.S. A Cutting Charge will apply.



C.R. LAURENCE COMPANY

crlaurence.com

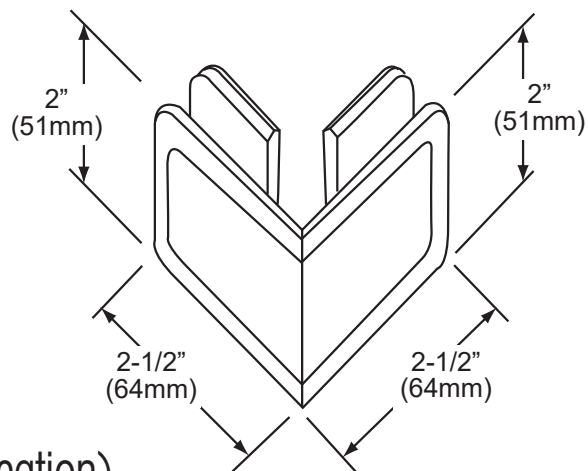
592G | crlaurence.ca crlaurence.com.au crlaurence.co.uk crlaurence.de crlaurence.eu



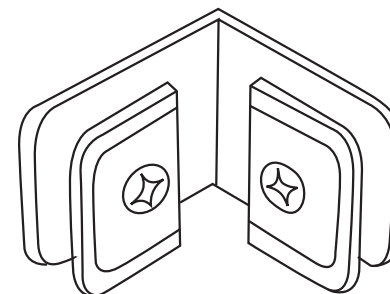


## Specifications:

**Material:** Solid brass  
**Glass Thickness Range:** 3/8" (10mm) to 1/2" (12mm)  
**Hole Size Required:** 3/4" (19mm) or 7/8" (22mm)  
 (45° Mitered Glass Option)  
**Includes:** Mounting screws and gaskets



FRONT VIEW



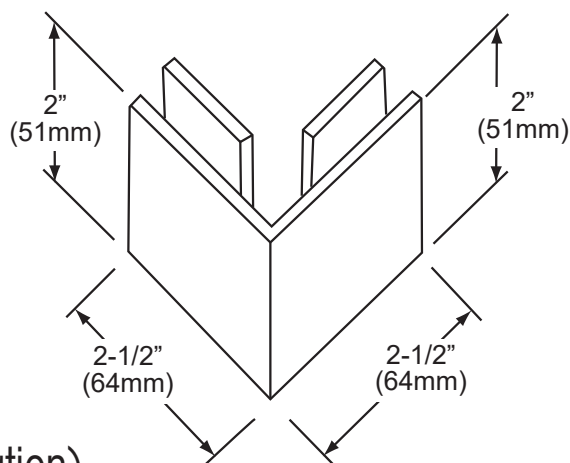
REAR VIEW

Template Shown on Next Page

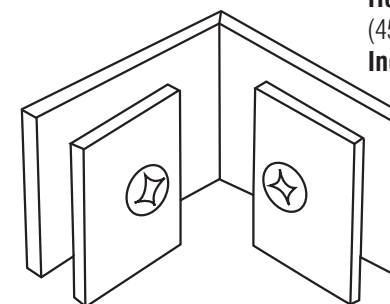
## HEAVY DUTY GLASS CLAMPS

90° Glass Clamp  
(Glass-to-Glass Application)

CAT. No. BGC90



FRONT VIEW



REAR VIEW

Template Shown on Next Page

## Specifications:

**Material:** Solid brass  
**Glass Thickness Range:** 3/8" (10mm) to 1/2" (12mm)  
**Hole Size Required:** 3/4" (19mm) or 7/8" (22mm)  
 (45° Mitered Glass Option)  
**Includes:** Mounting screws and gaskets

## HEAVY DUTY GLASS CLAMPS

90° Glass Clamp  
(Glass-to-Glass Application)

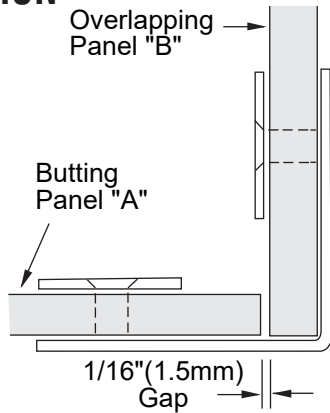
CAT. No. SGC90



**C.R. LAURENCE CO., INC.**  
PROFESSIONAL QUALITY

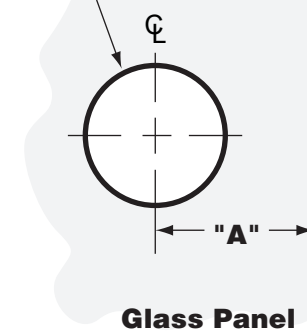
## TYPICAL INSTALLATION

**Important:** Project measurements from the edge of the glass



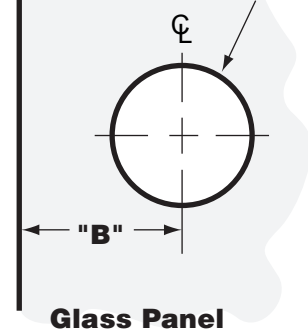
## TEMPLATE OPTION FOR SQUARE CUT GLASS

3/4" (19mm) Diameter Hole



Glass Panel

3/4" (19mm) Diameter Hole



Glass Panel

Glass Thickness

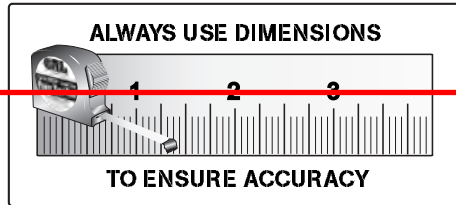
3/8" (10mm)  
1/2" (12mm)

"A"\* Measurement

1-3/16" (30mm)  
1-1/16" (27mm)

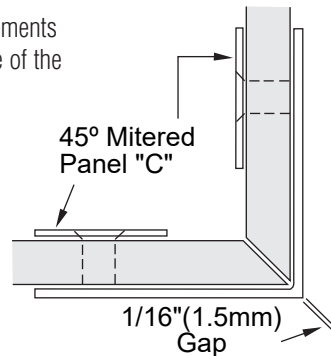
"B"\* Measurement

1-5/8" (41mm)  
1-5/8" (41mm)



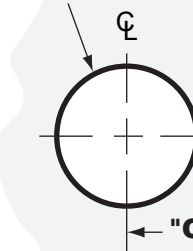
## TYPICAL INSTALLATION

**Important:** Project measurements from the outside of the mitered glass.



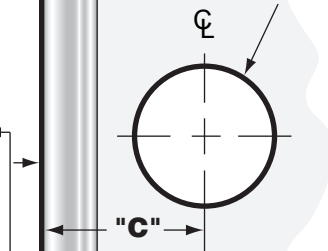
## TEMPLATE OPTION FOR 45° MITERED GLASS

7/8" (22mm) Diameter Hole



Glass Panel

7/8" (22mm) Diameter Hole



Glass Panel

Outside Edge of Miter

Glass Thickness  
3/8" (10mm)  
1/2" (12mm)

"C"\* Measurement  
1-1/2" (38mm)  
1-1/2" (38mm)

\*From the Outside Edge of Miter

## GLASS CLAMPS

The Template Options on This Page

Apply to the Following Clamps:

90° Glass Clamp

(Glass-to-Glass Application)

**CAT. No. BGC90**

90° Glass Clamp

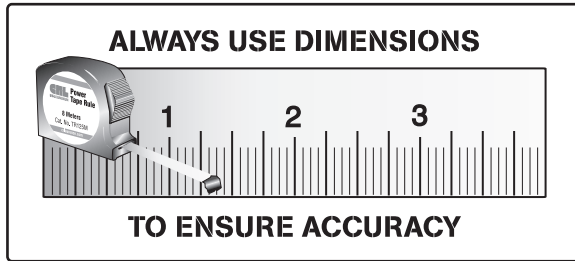
**CAT. No. SGC90**

C.R. Laurence Co., Inc.  
crlaurence.com

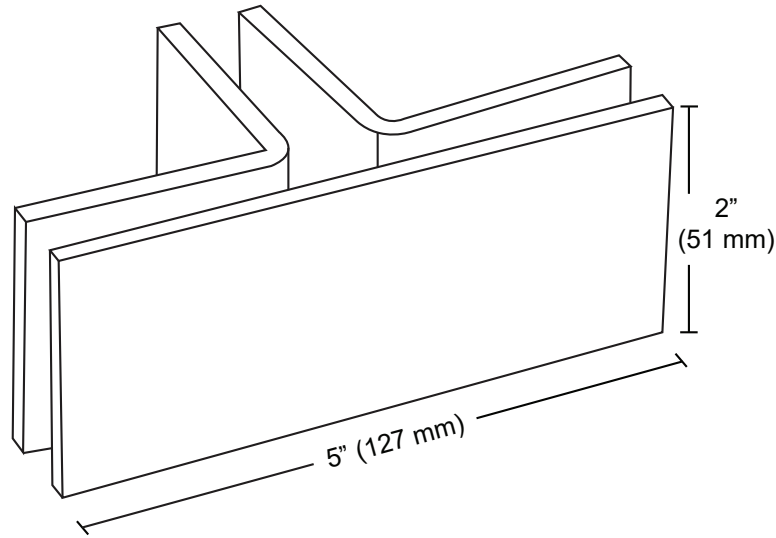
For technical assistance in the United States call toll free (800) 421-6144; from Canada call toll free (877) 421-6144; Outside the U.S. and Canada call (323) 588-1281. Ask for Tech Sales at Extension 7740. Toll free fax (800) 458-7496.



**C.R. LAURENCE CO., INC.**  
Professional Quality



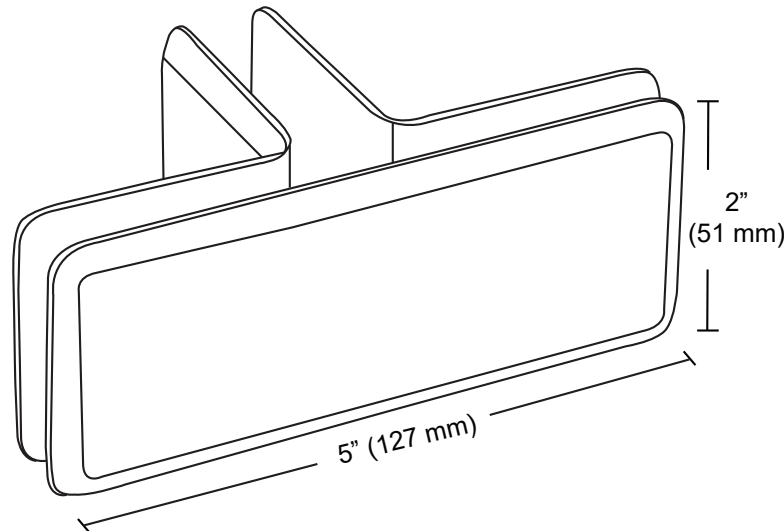
**GLASS CLAMP**  
SQUARE "T" JUNCTION  
CAT. No. **SGC90T**



**Specifications:**

**Material:** Solid brass  
**Glass Thickness Range:** 3/8" (10 mm) to 1/2" (12mm) thick glass  
**Hole Size Required:** 3/4" (19mm) diameter  
**Includes:** Mounting Screws and Gaskets  
**Templates Shown on Next Page**

**GLASS CLAMP**  
BEVELED "T" JUNCTION  
CAT. No. **BGC90T**



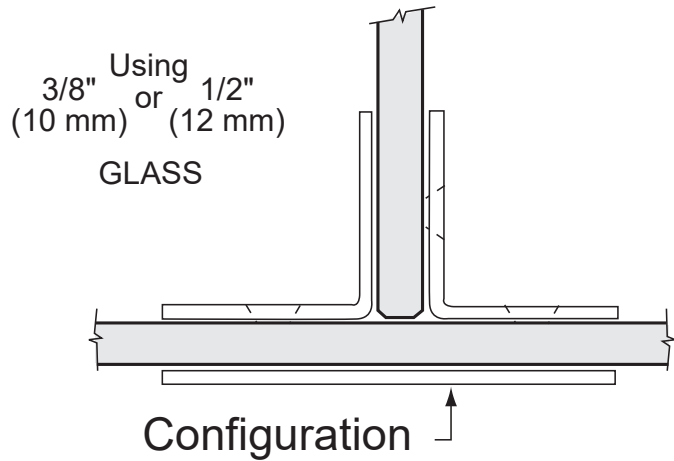
**Specifications:**

**Material:** Solid brass  
**Glass Thickness Range:** 3/8" (10 mm) to 1/2" (12mm) thick glass  
**Hole Size Required:** 3/4" (19mm) diameter  
**Includes:** Mounting Screws and Gaskets  
**Templates Shown on Next Page**

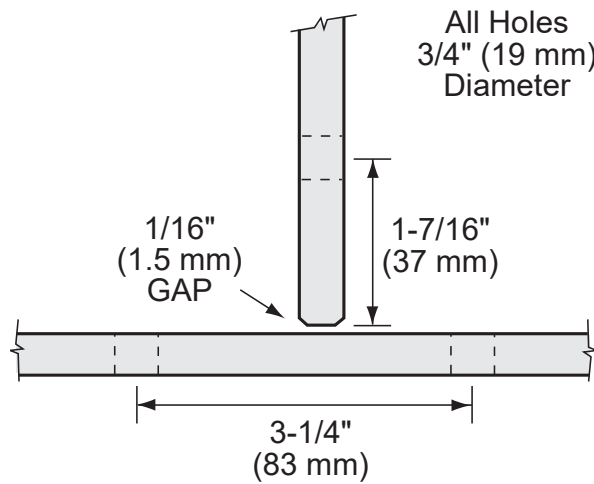




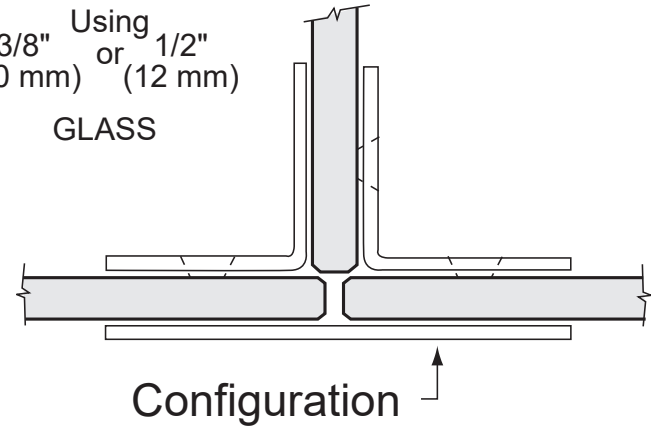
**C.R. LAURENCE CO., INC.**  
Professional Quality



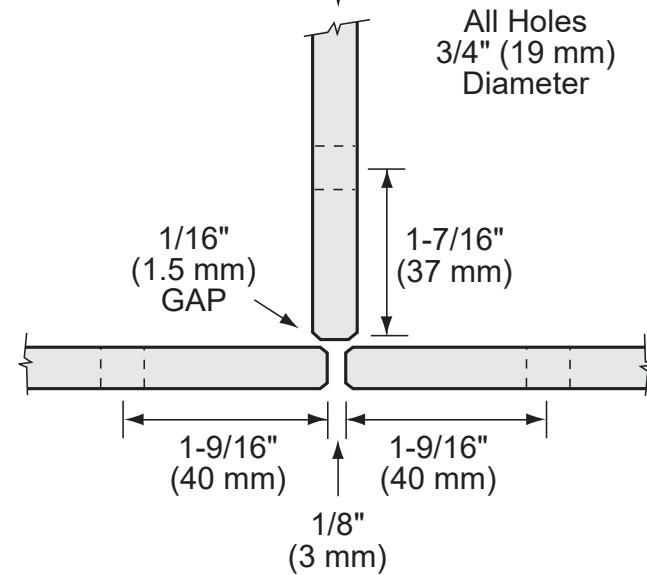
Template



Using  $\frac{3}{8}$ " (10 mm) or  $\frac{1}{2}$ " (12 mm) GLASS



Template





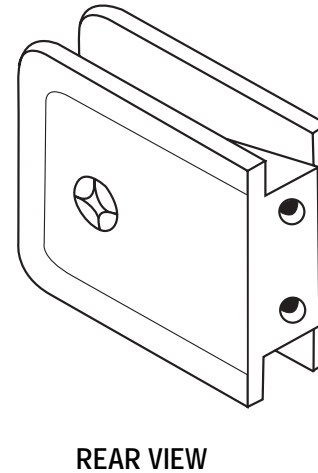
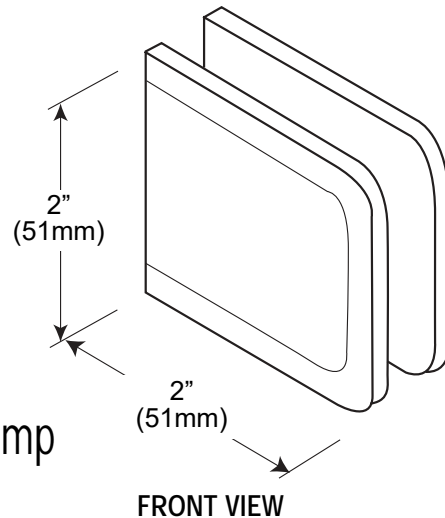
**C.R. LAURENCE CO., INC.**  
PROFESSIONAL QUALITY

## Specifications:

**Material:** Solid brass  
**Glass Thickness Range:** 3/8"(10mm) to 1/2"(12mm)  
**Fabrication Required:** Notch  
**Includes:** Mounting Screws and Gaskets

### HEAVY DUTY GLASS CLAMPS

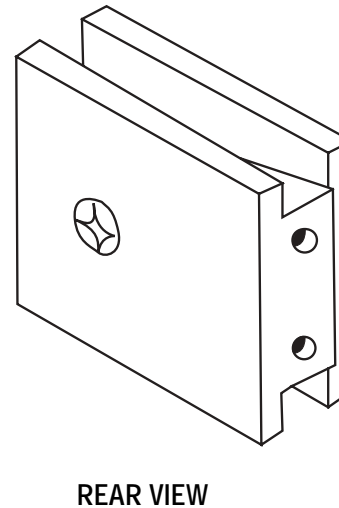
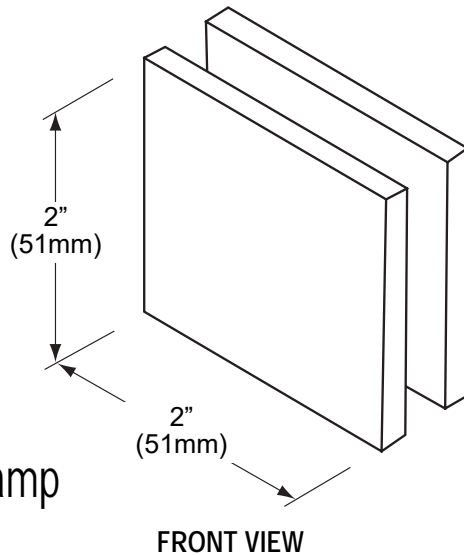
Beveled Wall Mount Clamp  
 CAT. No.BGCU1



**Template Shown on Next Page**

### HEAVY DUTY GLASS CLAMPS

Square Wall Mount Clamp  
 CAT. No.SGCU1



## Specifications:

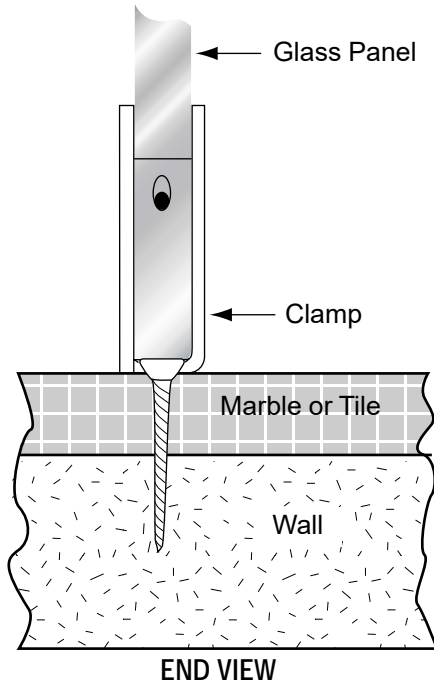
**Material:** Solid brass  
**Glass Thickness Range:** 3/8"(10mm) to 1/2"(12mm)  
**Fabrication Required:** Notch  
**Includes:** Mounting Screws and Gaskets

**Template Shown on Next Page**



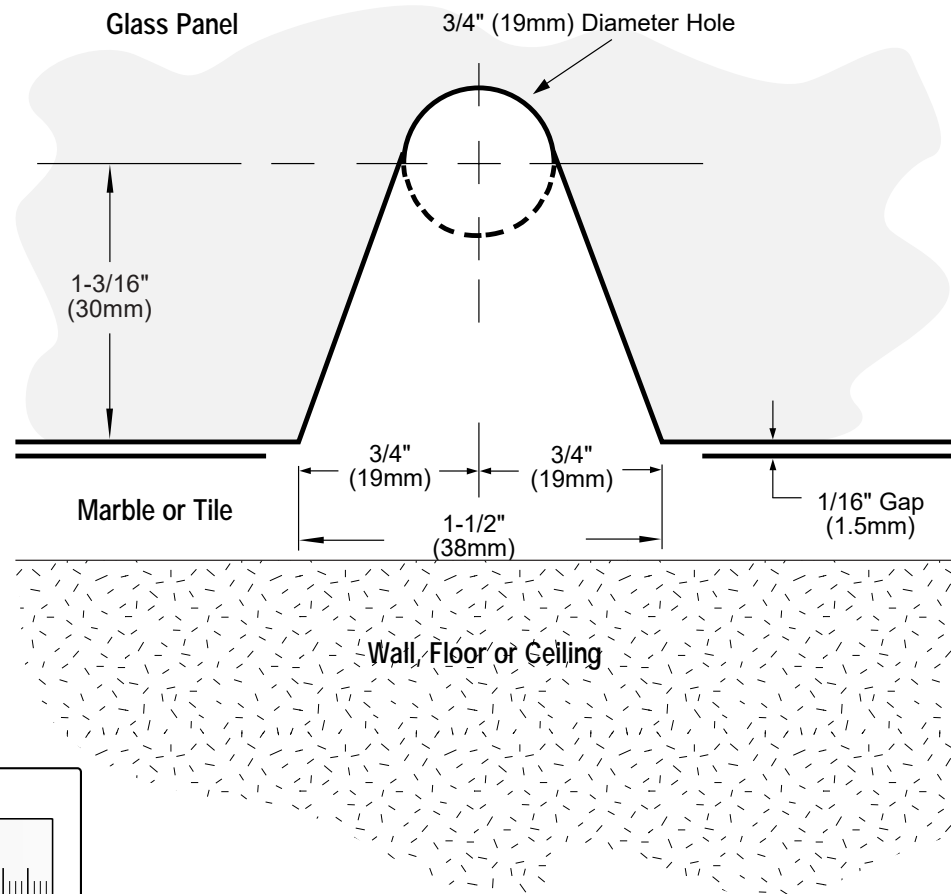
**C.R. LAURENCE CO., INC.**  
PROFESSIONAL QUALITY

## TYPICAL INSTALLATION



## TEMPLATE

**Important:** Project measurements from the edge of the glass



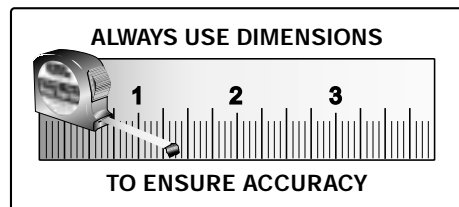
## GLASS CLAMPS

Beveled Wall Mount Clamp

CAT. No. BGCU1

Square Wall Mount Clamp

CAT. No. SGCU1



# INSTALLATION INSTRUCTIONS

## CRL ESSENCE SERIES HEADERLESS SLIDING SHOWER DOOR SYSTEM



NOTE: CL90s\_ Wall Mount Brackets not included.

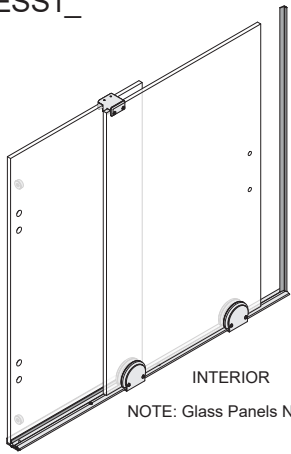
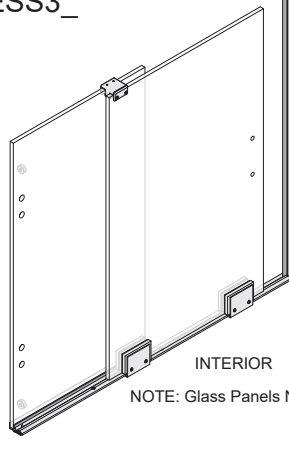
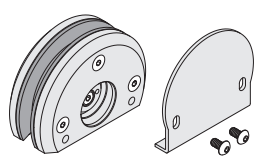
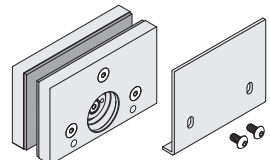
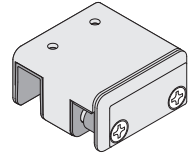
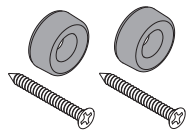
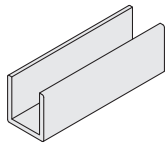

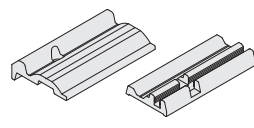
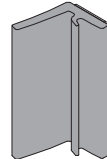
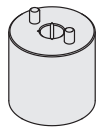
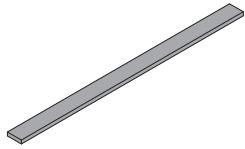


2503 E. Vernon Avenue, Los Angeles, CA 90058-1826  
(800) 421-6144 Fax (800) 262-3299  
[crlaurence.com](http://crlaurence.com)

11M0341\_REV B\_4-24-19



# PARTS LIST

<p><b>ESS1_</b></p>  <p><b>Kit Contains:</b></p> <ul style="list-style-type: none"> <li>1 Top Guide</li> <li>2 Rubber Bumpers</li> <li>1 64" (1626 mm) Bottom Track with Mounting Channel and Fasteners</li> <li>1 98" (2489 mm) L-Seal</li> <li>1 98" (2489 mm) U-Channel</li> <li>1 End Cap for U-Channel</li> <li>2 Rounded Style Bottom Rollers</li> <li>1 Spanner Wrench</li> </ul> <p>INTERIOR</p> <p>NOTE: Glass Panels Not Included.</p> <p>64" (1626 mm) Rounded Style Essence Kit with Header</p>	<p><b>ESS3_</b></p>  <p><b>Kit Contains:</b></p> <ul style="list-style-type: none"> <li>1 Top Guide</li> <li>2 Rubber Bumpers</li> <li>1 64" (1626 mm) Bottom Track with Mounting Channel and Fasteners</li> <li>1 98" (2489 mm) L-Seal</li> <li>1 98" (2489 mm) U-Channel</li> <li>1 End Cap for U-Channel</li> <li>2 Squared Style Bottom Rollers</li> <li>1 Spanner Wrench</li> </ul> <p>INTERIOR</p> <p>NOTE: Glass Panels Not Included.</p> <p>64" (1626 mm) Squared Style Essence Kit with Header</p>		
<p><b>BR4_</b></p>  <p>Rounded Style Rollers (2)</p>	<p><b>SR4_</b></p>  <p>Squared Style Rollers (2)</p>	<p><b>TG4_</b></p>  <p>Top Guide</p>	<p><b>ESSF1S*</b></p>  <p>Bumpers (2)</p>
<p><b>SDCD12_</b></p>  <p>98" (2489 mm) U-Channel</p>	<p><b>SDCEC12_</b></p>  <p>End Cap for U-Channel</p>	<p><b>SVE301_</b></p>  <p>64" (1626 mm) Bottom Track with Mounting Strip</p>	<p><b>DK98L</b></p>  <p>98" (2489 mm) Plastic L-Seal</p>
<p><b>ESSLSS*</b></p>  <p>Spanner Wrench for Roller Adjustment</p>	<p><b>SB596</b></p>  <p>1/16" Setting Block (Use as Guide)</p>		

\* Available through Technical Sales at (323) 588-1281

NOTE: ESS1\_ installation drawings shown in this manual. Other installations similar.

# ORDER OF ASSEMBLY AND INSTALLATION

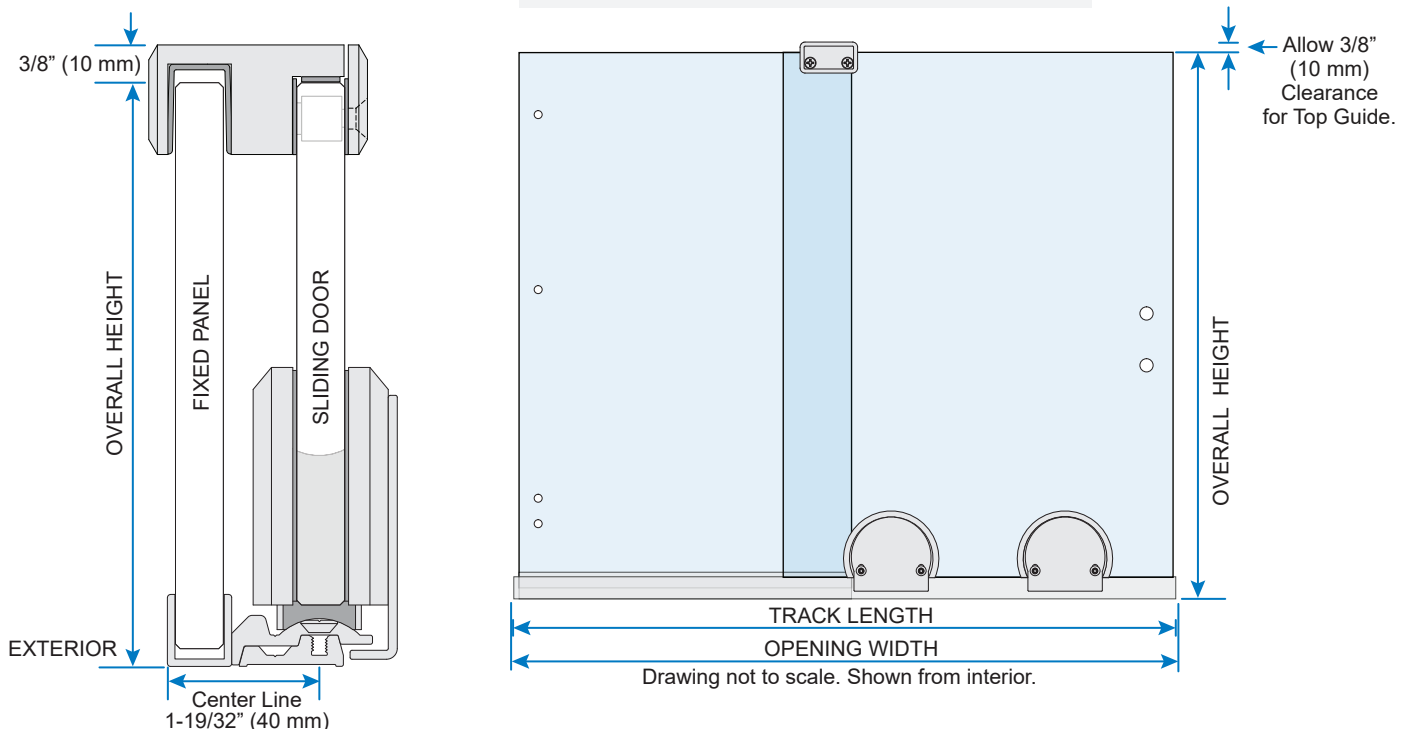
PARTS LIST .....	2
SPECIFICATIONS .....	3
GLASS FABRICATION .....	4
SITE PREPARATION .....	5
Mark Location for Track .....	5
FRAME FABRICATION .....	5
Cut Bottom Track and U-Channel .....	5
FRAME INSTALLATION .....	6 - 7
Install Mounting Strip .....	6
Install Bottom Track .....	6
Install U-Channel .....	7
Install Fixed Panel .....	7
SLIDING DOOR ASSEMBLY .....	8
Install Top Guide .....	8
Install Bottom Rollers .....	8
SLIDING DOOR INSTALLATION .....	9
Install Sliding Door .....	9
Install Anti-Lift Guides .....	9
FINISHING .....	10
Install L-Seal .....	10
Install Bumpers .....	10

**IMPORTANT: READ THIS MANUAL THOROUGHLY BEFORE BEGINNING INSTALLATION.**

## SPECIFICATIONS

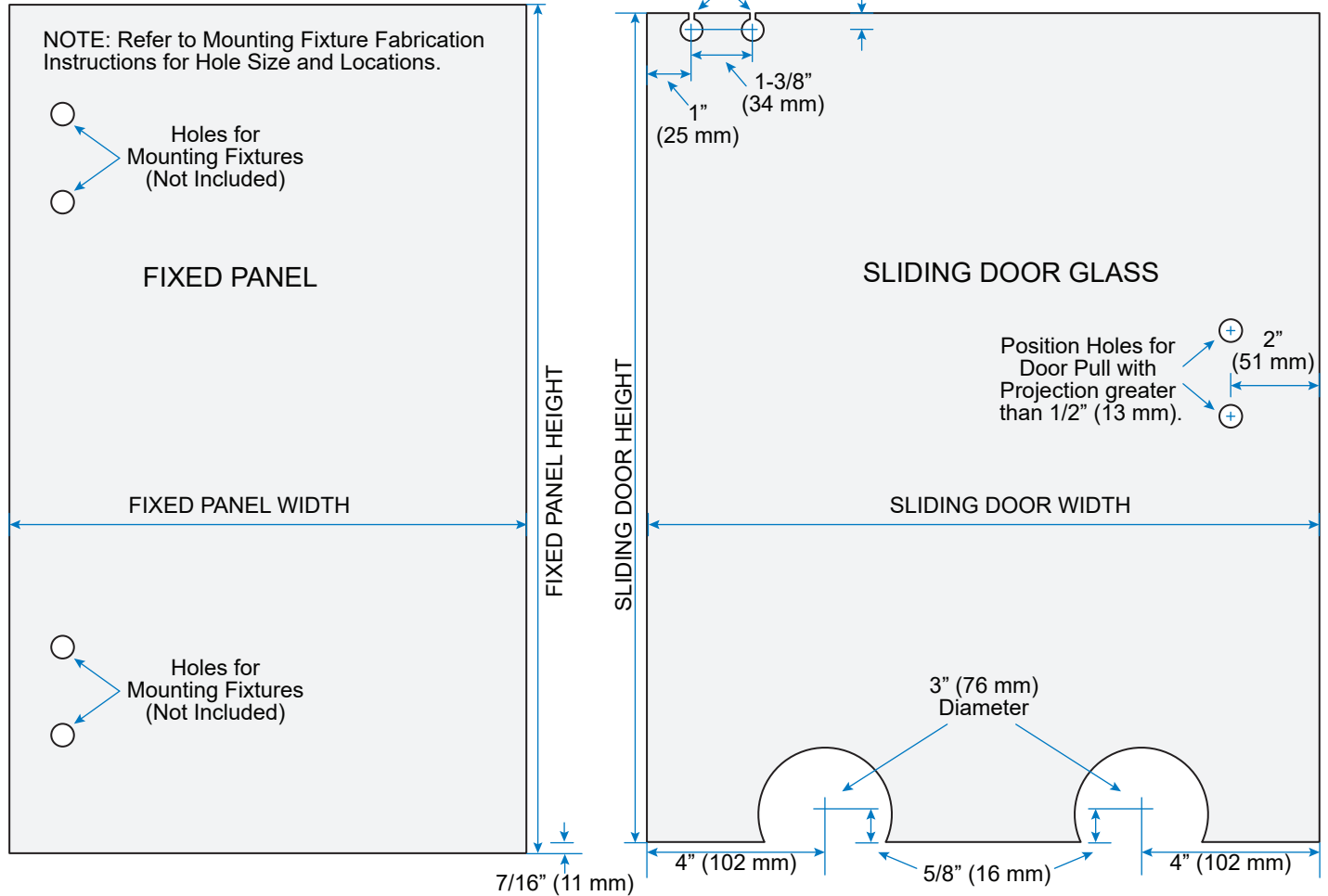
NOTE: For use with 1/2" (12 mm) Tempered Glass only. Do Not use Laminated Glass.

NOTE: Mounting Brackets for Fixed Panel Sold Separately.

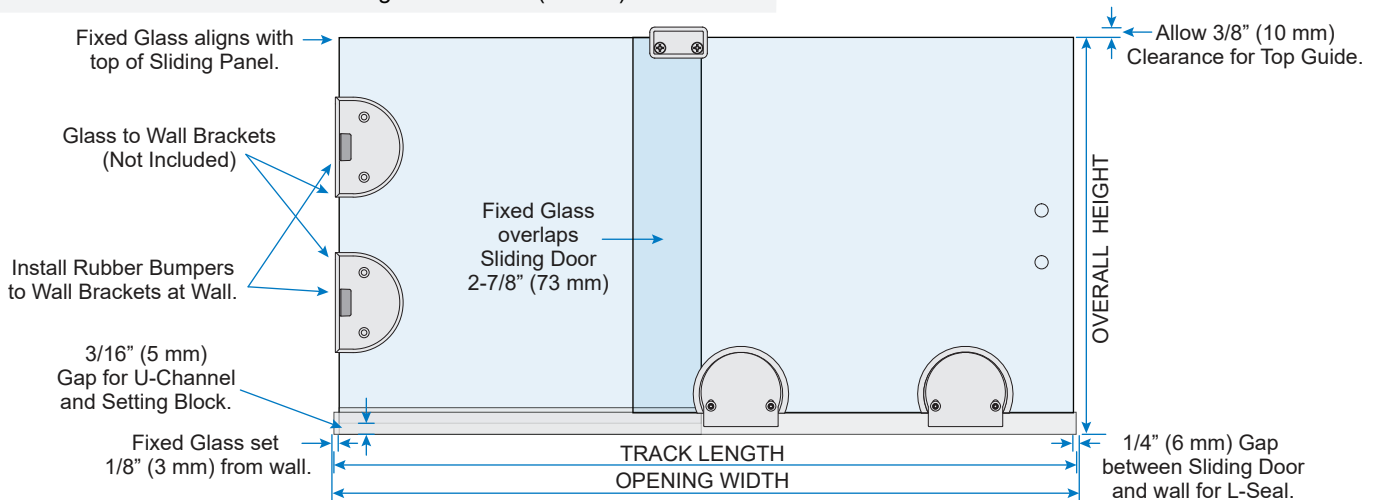


# GLASS FABRICATION

NOTE: For use with 1/2" (12 mm) Tempered Glass only.  
Do Not use Laminated Glass.



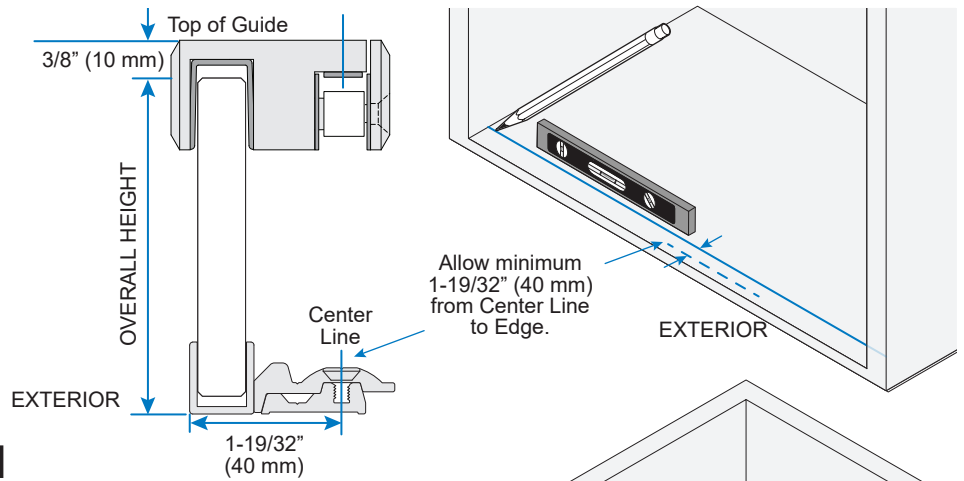
**FIXED PANEL WIDTH** : Opening Width Divided by 2 minus 1/2" (13 mm)  
**FIXED PANEL HEIGHT** : Overall Height minus 3/16" (5 mm)  
**SLIDING DOOR WIDTH** : Opening Width Divided by 2 plus 3" (76 mm)  
**SLIDING DOOR HEIGHT** : Overall Height minus 5/8" (16 mm)



NOTE: Drawings not shown to scale. Track is cut 1/16" (2 mm) less than Opening Width and centered in opening. Overall Height is height from curb/floor to top of glass. Drawings shown from interior.

## SITE PREPARATION

### Mark Location for Track

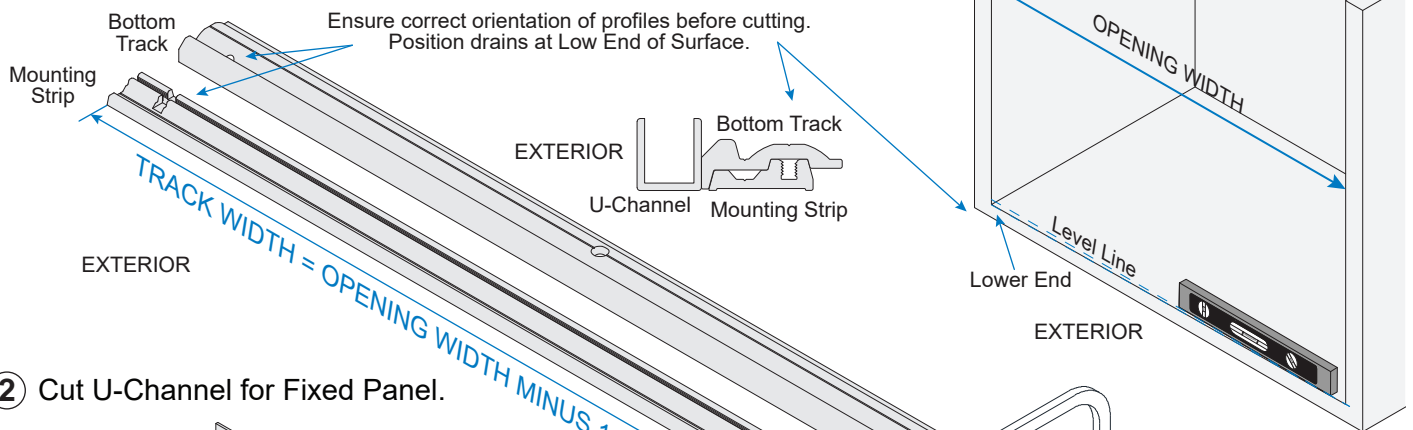


## FRAME FABRICATION

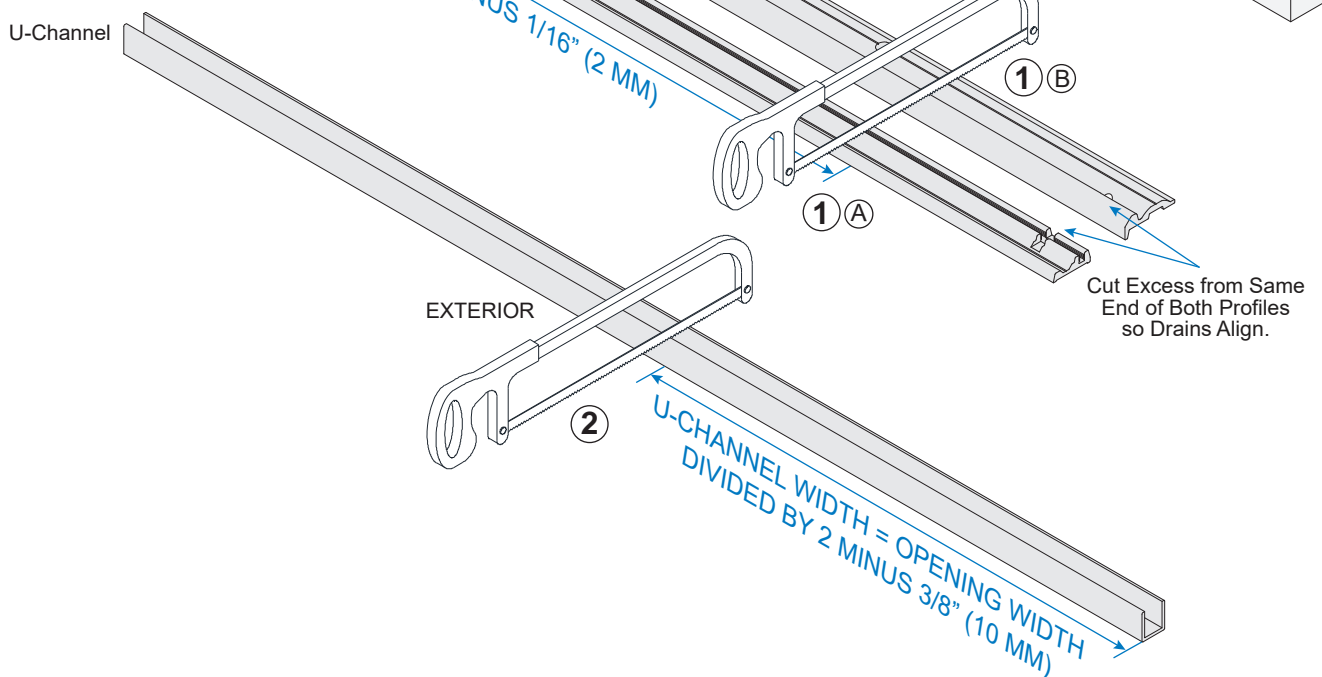
### Cut Bottom Track and U-Channel

- 1 Cut Bottom Track and Mounting Strip from same end.

NOTE: The Bottom Track and Mounting Strip are fabricated with the same drainage system on both ends. Determine if the surface is out of level first and then cut excess from the same end of both profiles so the drains will align at the low side of the surface when installed.



- 2 Cut U-Channel for Fixed Panel.

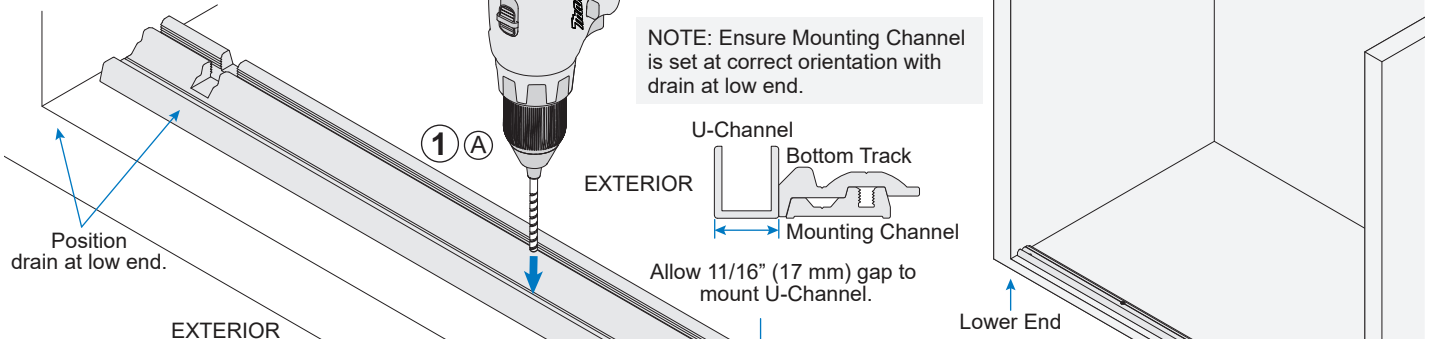




# FRAME INSTALLATION

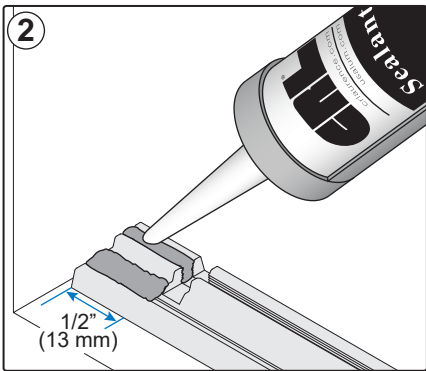
## Install Mounting Strip

① Install Mounting Channel.

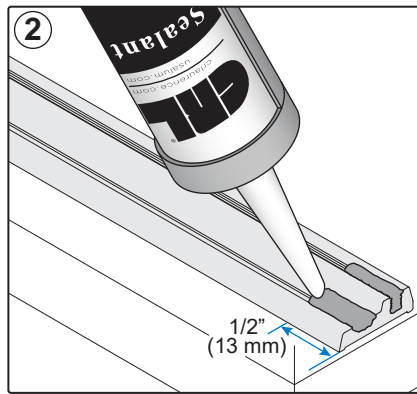


NOTE: Drill holes 6" (152 mm) from ends and 12" (305 mm) maximum in between.

② Seal 1/2" (13 mm) at each end.



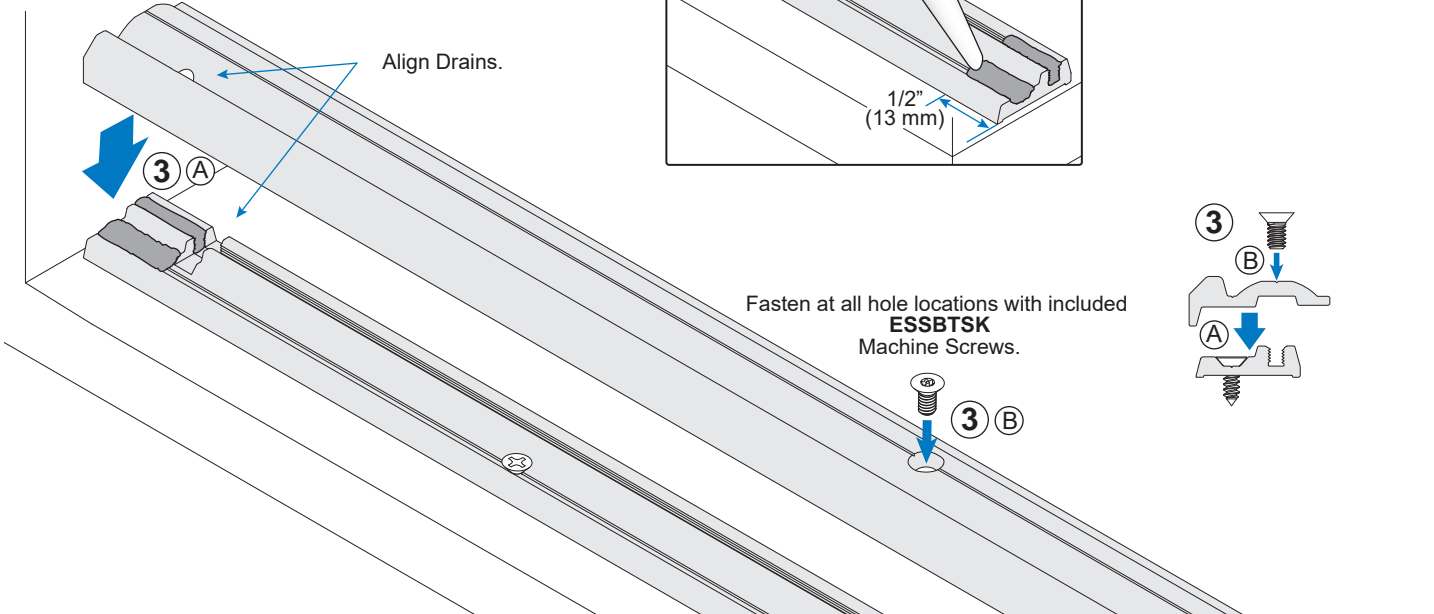
② Silicone at Ends.



Mount with #8 Flat Head Screws suitable for substrate. Screws by others.

## Install Bottom Track

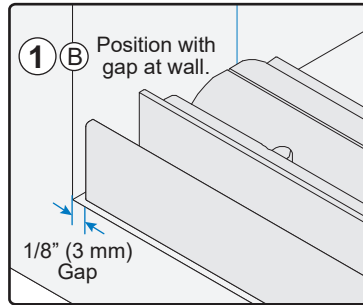
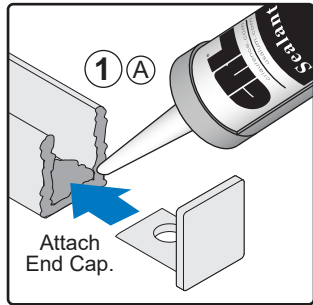
③ Install Bottom Track.



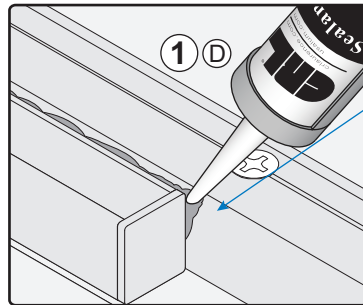
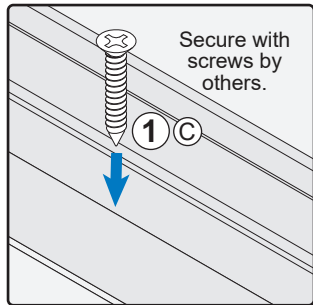
# FRAME INSTALLATION (CONTINUED)

## Install U-Channel

- 1 Attach End Cap to U-Channel and mount 1/8" (3 mm) from wall.



NOTE: Use fasteners suitable for substrate. Space 6" (152 mm) from ends and 12" (305 mm) maximum in between.



Seal and tool between U-Channel and Bottom Track.

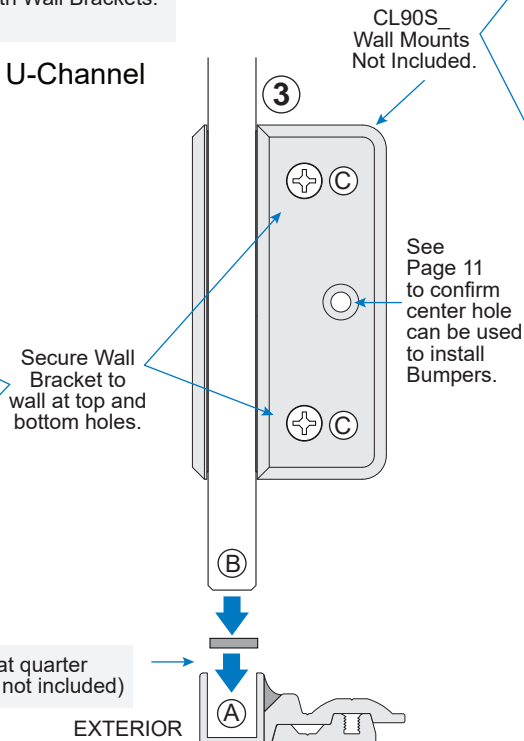
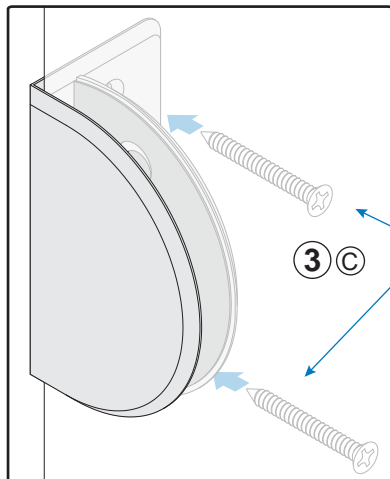


## Install Fixed Panel

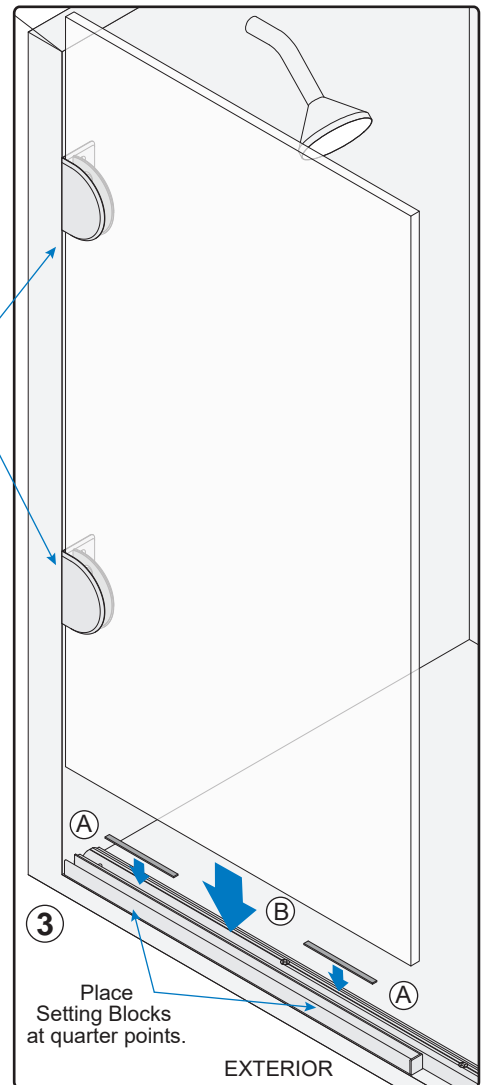
- 2 Attach Wall Brackets to Fixed Panel.

Follow Installation Instructions included with Wall Brackets. NOTE: Wall Brackets not included.

- 3 Install Fixed Glass Panel in U-Channel and secure to wall.



NOTE: Place Setting Blocks in U-Channel at quarter points before setting glass. (Setting Blocks not included)



NOTE: Wall Brackets not included. CL90S\_ shown as example only.

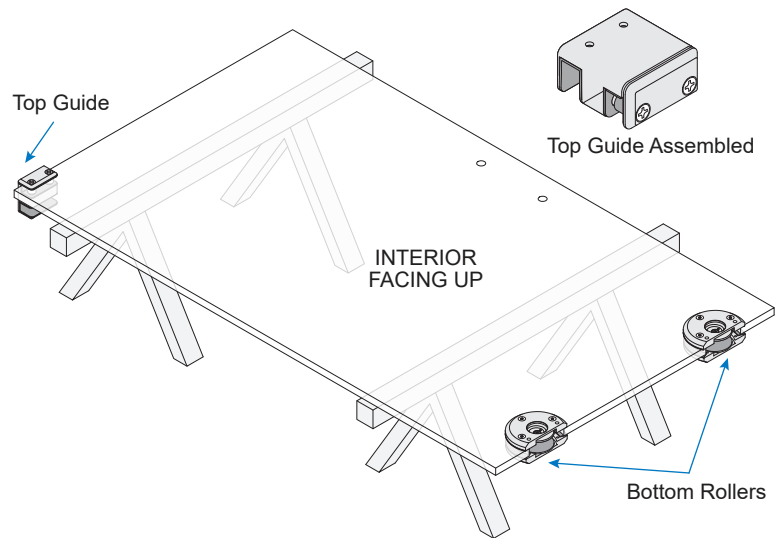
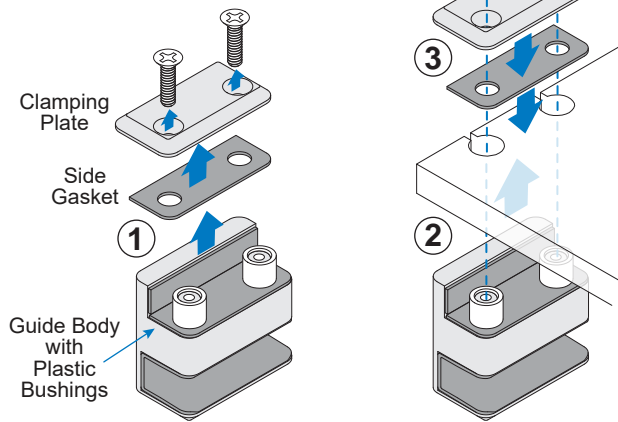
EXTERIOR

EXTERIOR

# SLIDING DOOR ASSEMBLY

## Install Top Guide

- ① Unpack Top Guide and remove Clamping Plate and Side Gasket.
- ② Fit Guide Body with Plastic Bushings into holes in glass.
- ③ Secure Clamping Plate with Side Gasket to Guide Body.

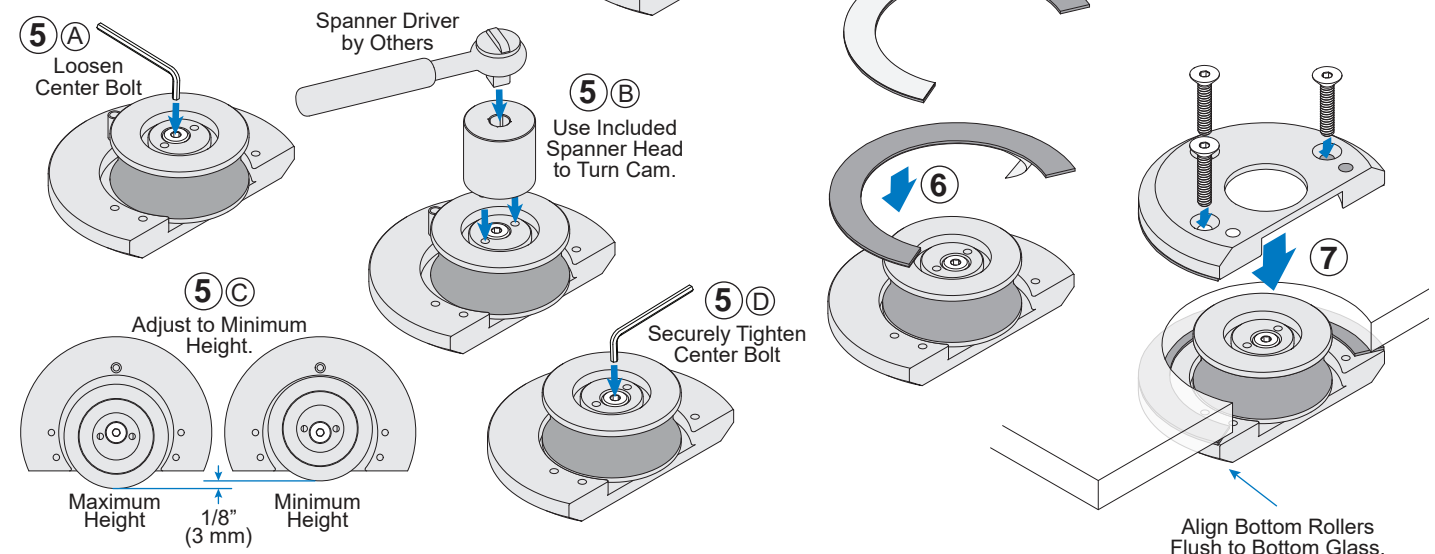


NOTE: Bottom Rollers packaged with two sets of side gaskets. Use the Thin Gaskets for 1/2" (12 mm) glass. Anti-Lift Guard is installed after door installation.

## Install Bottom Rollers

- ④ Unpack Bottom Rollers and remove Clamping Plates.
- ⑤ Adjust wheel height and tighten.

NOTE: Loosen center bolt one full turn to adjust. Use included Spanner Head to rotate cam and raise wheel height +/- 1/8" (3 mm). Begin with wheel at minimum position. Tighten center bolt snugly to hold position.

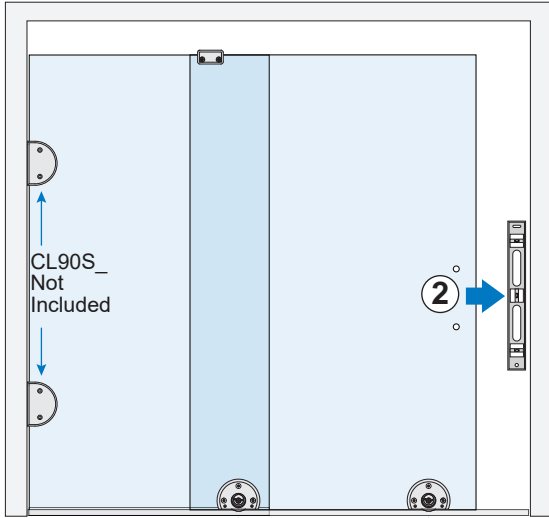


- ⑥ Remove protective liner from Side Gaskets. Install on Roller Body and Clamping Plate.
- ⑦ Fit Roller Body into hole in glass. Align Clamping Plate on other side and permanently tighten.

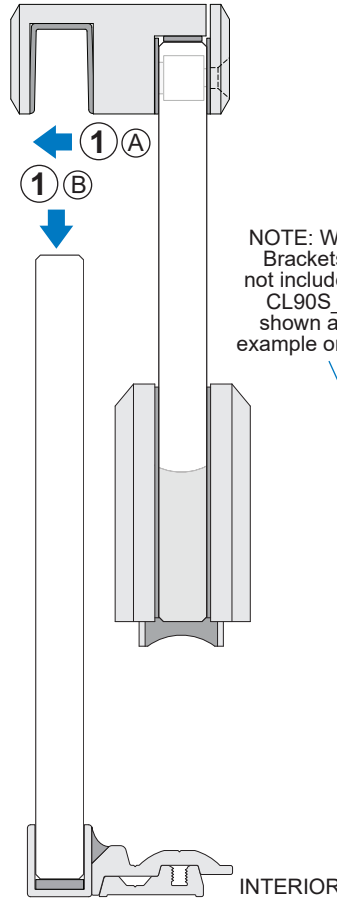
# SLIDING DOOR INSTALLATION

## Install Sliding Door

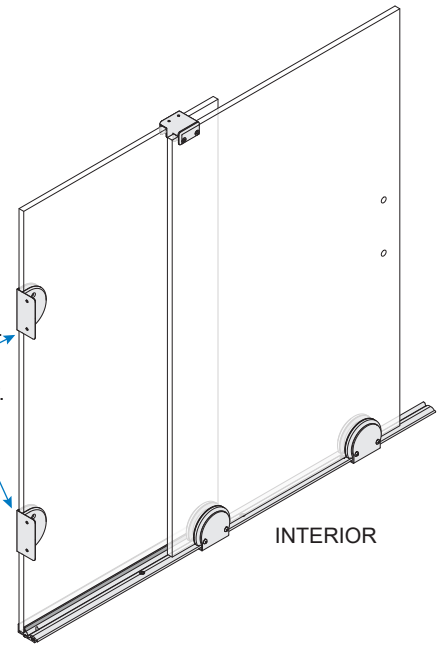
- ① Lift Sliding Door over Fixed Panel. Align Top Guide and lower onto Bottom Track.
- ② Test door and adjust as needed.



Slide door to wall and check vertical reveal. See Page 8 to adjust wheel height. Tighten securely when finished.



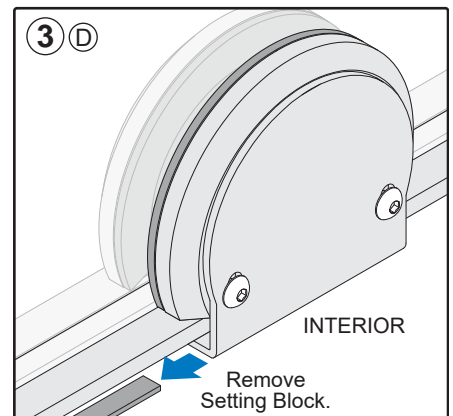
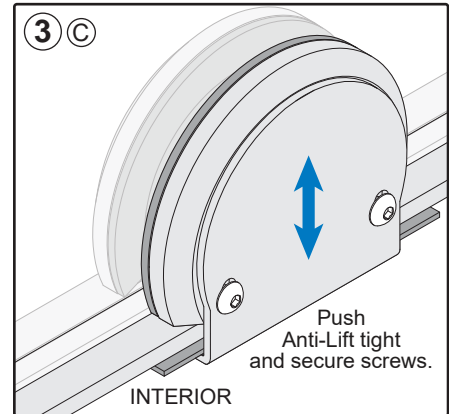
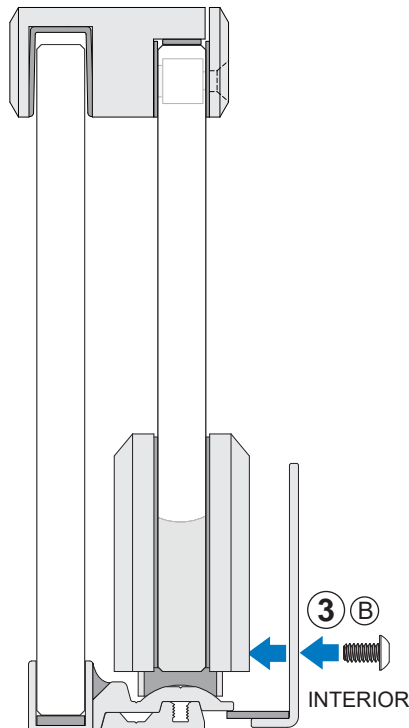
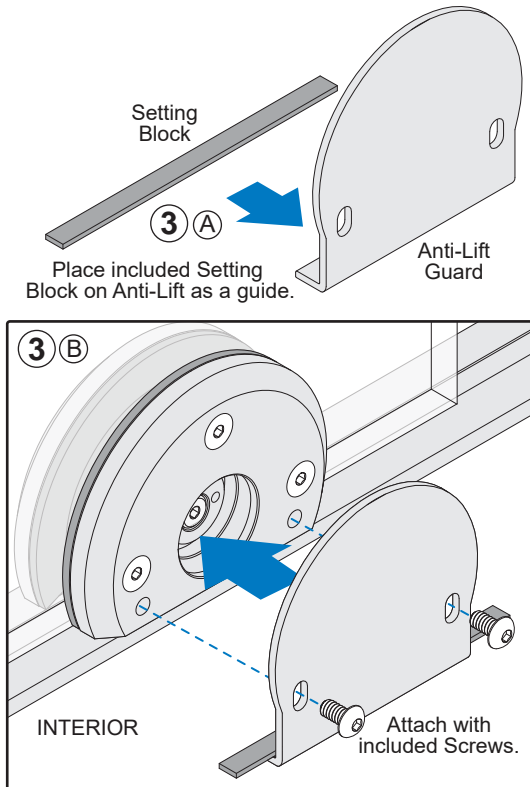
NOTE: Wall Brackets not included. CL90S shown as example only.



## Install Anti-Lift Guides

- ③ Install Anti-Lift Guards on Rollers.

NOTE: The Anti-Lift Guard is installed with a 1/16" (1 mm) gap between the top of the guard and the bottom of the Bottom Track. Use included Setting Block as a guide for proper clearance.



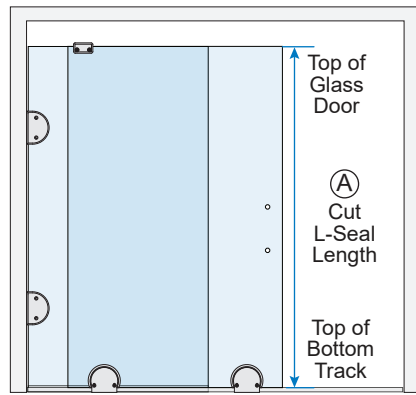
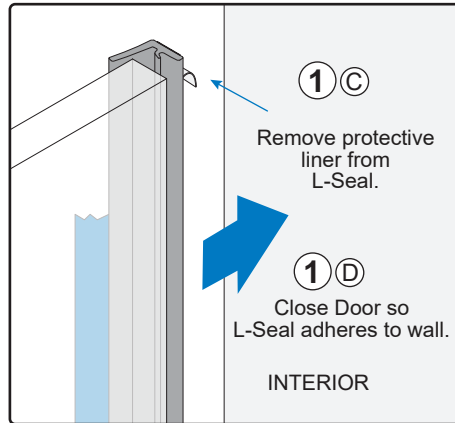
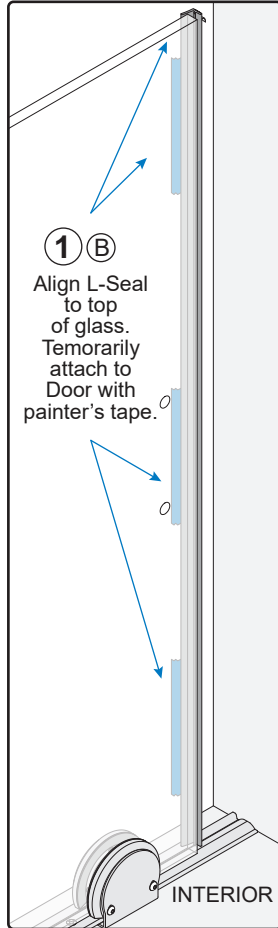


## FINISHING

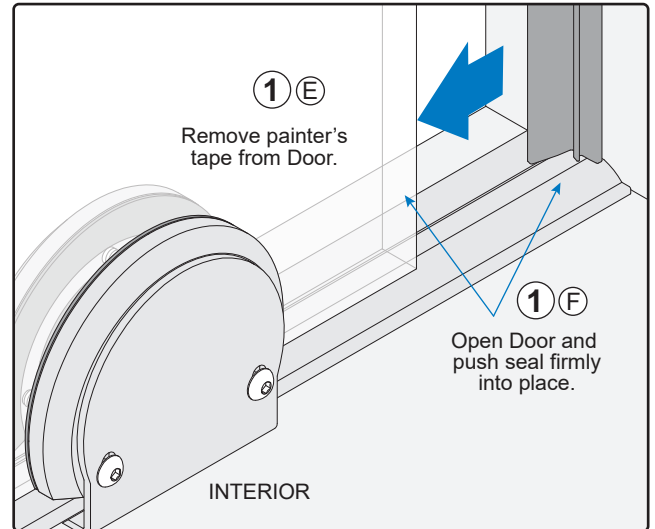
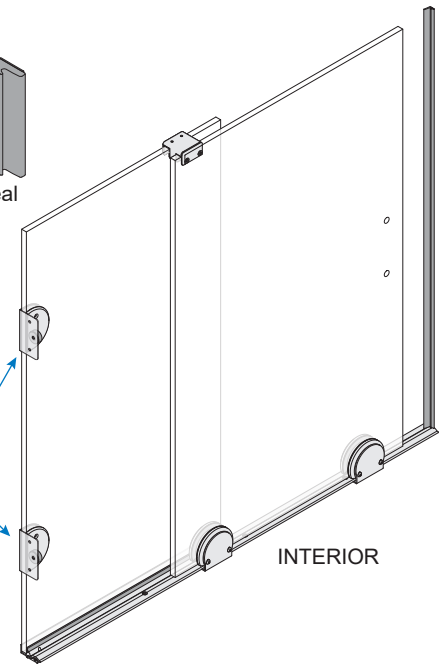
### Install L-Seal

#### 1 Cut and install L-Seal.

NOTE: Temporarily attach L-Seal to Sliding Door and use as guide for final position.

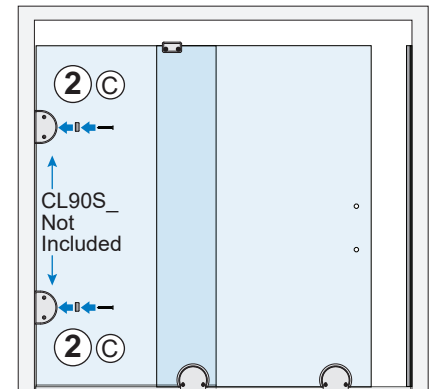
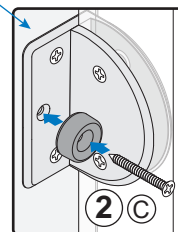
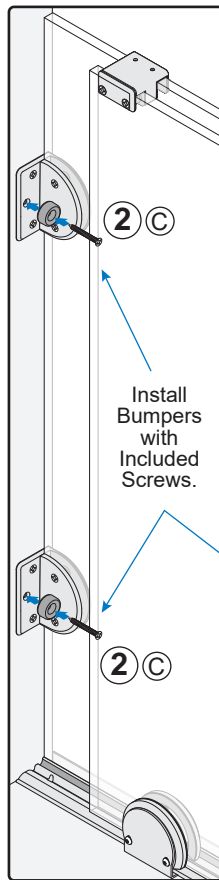
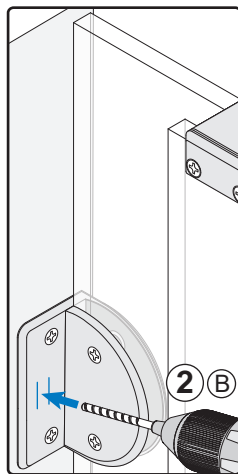
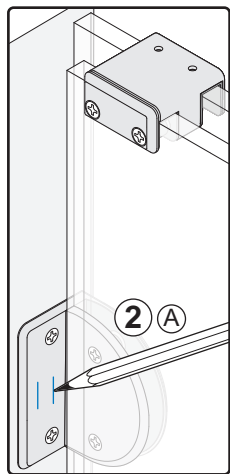


NOTE: Wall Brackets not included. CL90S\_ shown as example only.



### Install Bumpers

#### 2 Install Bumpers at Wall Mounts.



Position Bumpers to align with Sliding Door at Wall Brackets. Attach to wall.

Close Door to mark position for Bumpers.

Open Door to drill holes.

NOTE: Wall Brackets not included. CL90S\_ shown as example only. Some brackets may have holes predrilled.

## CRL Wet/Dry Glaze U-Channels

- Three Standard Heights 1", 1-1/2", and 2" (25, 38, and 51 mm)
- Six Standard Architectural Finishes
- Brushed Stainless, Polished Stainless, and Polished Brass Finishes Are Available on Special Order
- Ready-to-Ship From CRL Inventory
- Available in 120" and 240" (3.05 and 6.10 m) Stock Lengths



**MORE CHOICES**  
crlaurence.com

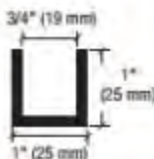
CRL Wet/Dry Glaze U-Channels provide the smallest profile U-Channel for glazing 3/8" or 1/2" (10 or 12 mm) glass. They are available in six standard finishes in both 120" and 240" (3.05 and 6.10 m) stock lengths.

Wet/Dry Glaze U-Channels provide the most economical way to glaze heavy glass. Using a Deep U-Channel on the top and the Shallow U-Channel on the bottom allows for the 'lift and drop' method of glazing. The glass can be secured with silicone sealant or our Top Load Roll-In Glazing Gasket (shown on opposite page).

For Cladded U-Channels, custom finishes, or custom lengths, contact CRL Technical Sales at (800) 421-6144 in the U.S., (877) 421-6144 from Canada, or (323) 588-1281 International, and ask for Ext. 7700. You can also e-mail us through our web site at [crlaurence.com/support](http://crlaurence.com/support).

### CRL 1" Wet/Dry Glaze U-Channel

- 1" (25 mm) Exterior Height
- Typically Used at the Bottom of Glass Panels
- Use With Silicone (Wet) or Glazing Gasket (Dry)
- Matching End Caps Sold Separately (See Page CH045)

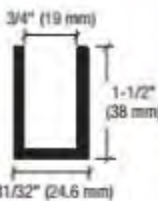


120" (3.05 M) LENGTH CAT. NO.	240" (6.10 M) LENGTH CAT. NO.	FINISH
WU3SASL	WU3SA240	Satin Anodized
WU3DUSL	WU3DU240	Black Bronze Anodized
WU3BLSL	WU3BL240	Black Powder Coat
WU3BASL	WU3BA240	Brite Anodized
WU3BBASL	WU3BBA240	Brite Brushed Anodized
WU3BSASL	WU3BSA240	Brushed Stainless Anodized

Minimum order: 1 each. Finishes can be combined for quantity pricing. A Packing Charge will be added to orders fewer than five combined lengths. Stock lengths longer than 108" (2.74 m) must ship common carrier.

### CRL 1-1/2" Wet/Dry Glaze U-Channel

- 1-1/2" (38 mm) Exterior Height
- Typically Used at the Bottom of Glass Panels
- Use With Silicone (Wet) or Glazing Gasket (Dry)
- Matching End Caps Sold Separately (See Page CH045)

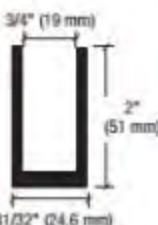


120" (3.05 M) LENGTH CAT. NO.	240" (6.10 M) LENGTH CAT. NO.	FINISH
WU1SASL	WU1SA240	Satin Anodized
WU1DUSL	WU1DU240	Black Bronze Anodized
WU1BLSL	WU1BL240	Black Powder Coat
WU1BASL	WU1BA240	Brite Anodized
WU1BBASL	WU1BBA240	Brite Brushed Anodized
WU1BSASL	WU1BSA240	Brushed Stainless Anodized

Minimum order: 1 each. Finishes can be combined for quantity pricing. A Packing Charge will be added to orders fewer than five combined lengths. Stock lengths longer than 108" (2.74 m) must ship common carrier.

### CRL 2" Wet/Dry Glaze U-Channel

- 2" (51 mm) Exterior Height
- Typically Used at the Bottom of Glass Panels
- Use With Silicone (Wet) or Glazing Gasket (Dry)
- Matching End Caps Sold Separately (See Page CH045)



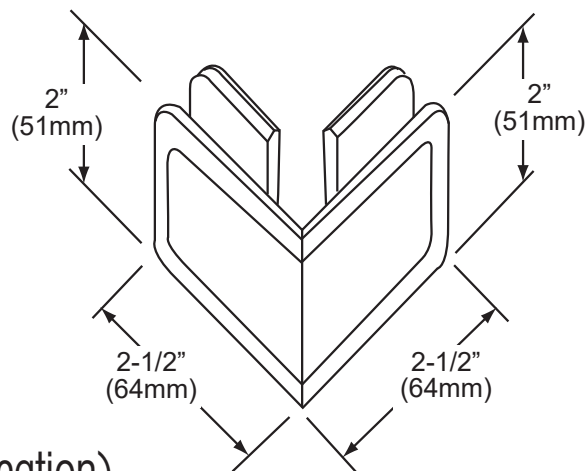
120" (3.05 M) LENGTH CAT. NO.	240" (6.10 M) LENGTH CAT. NO.	FINISH
WU2SASL	WU2SA240	Satin Anodized
WU2DUSL	WU2DU240	Black Bronze Anodized
WU2BLSL	WU2BL240	Black Powder Coat
WU2BASL	WU2BA240	Brite Anodized
WU2BBASL	WU2BBA240	Brite Brushed Anodized
WU2BSASL	WU2BSA240	Brushed Stainless Anodized

Minimum order: 1 each. Finishes can be combined for quantity pricing. A Packing Charge will be added to orders fewer than five combined lengths. Stock lengths longer than 108" (2.74 m) must ship common carrier.

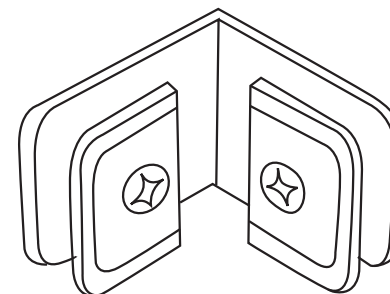


## Specifications:

**Material:** Solid brass  
**Glass Thickness Range:** 3/8" (10mm) to 1/2" (12mm)  
**Hole Size Required:** 3/4" (19mm) or 7/8" (22mm)  
 (45° Mitered Glass Option)  
**Includes:** Mounting screws and gaskets



FRONT VIEW



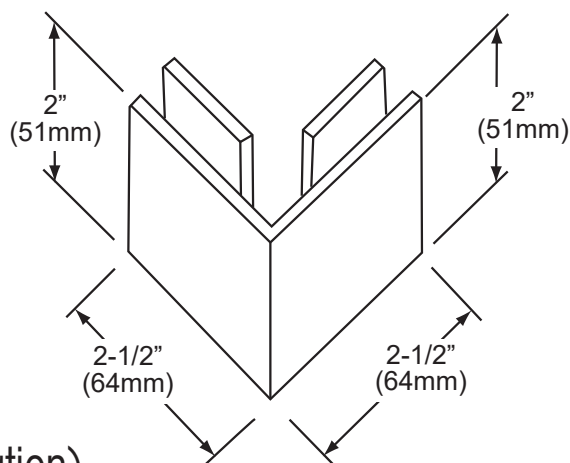
REAR VIEW

Template Shown on Next Page

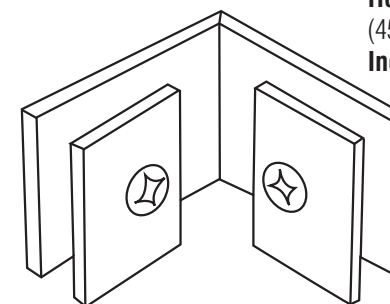
## HEAVY DUTY GLASS CLAMPS

90° Glass Clamp  
 (Glass-to-Glass Application)

**CAT. No. BGC90**



FRONT VIEW



REAR VIEW

Template Shown on Next Page

## Specifications:

**Material:** Solid brass  
**Glass Thickness Range:** 3/8" (10mm) to 1/2" (12mm)  
**Hole Size Required:** 3/4" (19mm) or 7/8" (22mm)  
 (45° Mitered Glass Option)  
**Includes:** Mounting screws and gaskets

## HEAVY DUTY GLASS CLAMPS

90° Glass Clamp  
 (Glass-to-Glass Application)

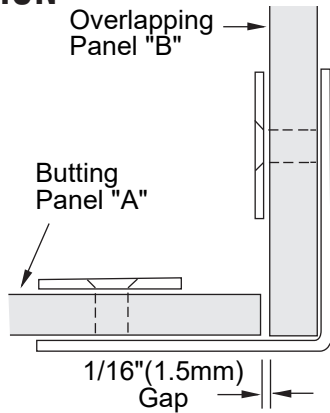
**CAT. No. SGC90**



**C.R. LAURENCE CO., INC.**  
PROFESSIONAL QUALITY

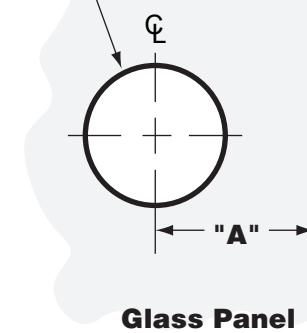
## TYPICAL INSTALLATION

**Important:** Project measurements from the edge of the glass



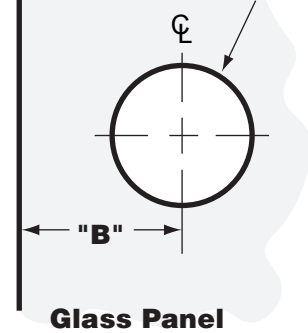
## TEMPLATE OPTION FOR SQUARE CUT GLASS

3/4" (19mm) Diameter Hole



Glass Panel

3/4" (19mm) Diameter Hole



Glass Panel

Glass Thickness

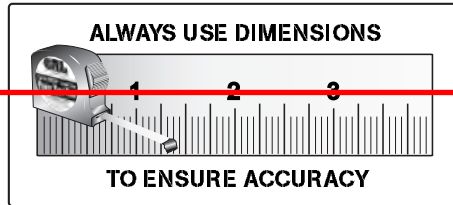
3/8" (10mm)  
1/2" (12mm)

"A"\* Measurement

1-3/16" (30mm)  
1-1/16" (27mm)

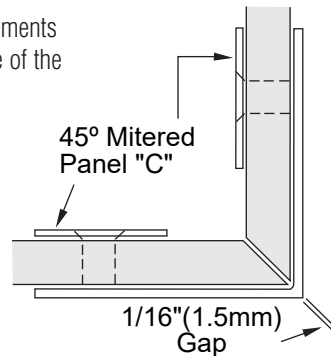
"B"\* Measurement

1-5/8" (41mm)  
1-5/8" (41mm)



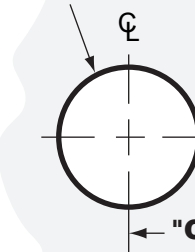
## TYPICAL INSTALLATION

**Important:** Project measurements from the outside of the mitered glass.



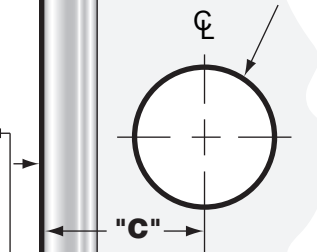
## TEMPLATE OPTION FOR 45° MITERED GLASS

7/8" (22mm) Diameter Hole



Glass Panel

7/8" (22mm) Diameter Hole



Glass Panel

Outside Edge of Miter

Glass Thickness  
3/8" (10mm)  
1/2" (12mm)

"C"\* Measurement  
1-1/2" (38mm)  
1-1/2" (38mm)

\*From the Outside Edge of Miter

## GLASS CLAMPS

The Template Options on This Page

Apply to the Following Clamps:

90° Glass Clamp

(Glass-to-Glass Application)

**CAT. No. BGC90**

90° Glass Clamp

**CAT. No. SGC90**

C.R. Laurence Co., Inc.  
crlaurence.com

For technical assistance in the United States call toll free (800) 421-6144; from Canada call toll free (877) 421-6144; Outside the U.S. and Canada call (323) 588-1281. Ask for Tech Sales at Extension 7740. Toll free fax (800) 458-7496.

© Copyright 2005, C.R. Laurence Co., Inc\_SDT21\_U5



## Sliding Glass Enclosed Bulletin Boards



Write a Review [See 2 Questions & 2 Answers](#)

SKU:UV-90-12

WAS: \$1,437.95

Sale Price: **\$1,078.46** ✓ You Save: 25%

Select Size:

36"H x 96"W

Quantity

1



**Add to Cart**



Expert Service  
& Advice



Over 30 Years in Business



Woman Owned Small  
Business

### Need Guidance?

Our on-site experts are here to help!

**Live Chat**

**(866) 366-1500**





Gotham Architectural Downlighting  
LED Downlights

**2" Incito®  
Downlight**

Solid-State Lighting  
(US and International Patents Pending)



FEATURES

**OPTICAL SYSTEM**

- Superior 100% virgin silicone refractive optic enables maximum dimensional stability and optical transmission with no discoloration over life.
- Primary control of distribution occurs in refractive optic allowing for aesthetic versatility with trim color and finish.
- 2.5-step MacAdam Ellipse.
- Thirteen preset distribution patterns allow designers to achieve tailored effects.
- Self-flanged semi-specular or matte-diffuse lower trim.
- Field interchangeable optics.
- 35° shielding angle to refractive optics.

**MECHANICAL SYSTEM**

- Install from below architecture standard.
- Several additional mounting options available including a structural reinforcement pan, Chicago plenum, and Type IC.
- Standard ambient operating temperature: 25 °C. High ambient option available.
- Accommodates a wide range of applications including multiple plenum cross sections and ceiling thicknesses. Consult page 2.
- Light engine and driver are accessible from above or below ceiling.
- Flangeless trim option includes proprietary Gotham mud ring enabling seamless integration into drywall applications. Mud ring ships separately.

**ELECTRICAL SYSTEM**

- Solid-state LED light engine available in 2700 K, 3000 K, 3500 K or 4000 K color temperatures. Standard CRI: 80 typical. High CRI option available.
- Rated system life of >60,000 hours at 70% output.
- 120V TRIAC or ELV dimming and 0-10V dimming standard.
- Luminaire accepts parallel and branch circuit control wiring.

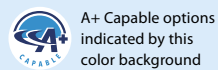
**LISTINGS**

- Fixtures are UL listed to meet US and Canadian standards; wet location, covered ceiling.
- ENERGY STAR® certified product.

**WARRANTY**

- 5-year limited warranty. Complete warranty terms located at: [www.acuitybrands.com/resources/terms-and-conditions](http://www.acuitybrands.com/resources/terms-and-conditions)

Note: Actual performance may differ as a result of end user environment and application. All values are design or typical values, measured under laboratory conditions at 25 °C.



EXAMPLE: IC0 35/10 2AR LSS 20D MVOLT UGZ

Series	Color temperature	Nominal lumen values	Aperture/Trim color	Trim Style	Finish	Beam
IC0	27/ 2700 K	05 500 lumens	2AR Clear	(blank) Self-flanged	LSS Semi-specular	15D 15° beam angle
	30/ 3000 K	07 750 lumens	2PR Pewter	FL Flangeless	LD Matte diffuse	20D 20° beam angle
	35/ 3500 K	10 1000 lumens	2WTR Wheat			25D 25° beam angle
	40/ 4000 K	15 <sup>1</sup> 1500 lumens	2GR Gold			30D 30° beam angle
			2WR <sup>2</sup> White			35D 35° beam angle
			2BR <sup>2</sup> Black			40D 40° beam angle
						45D 45° beam angle
						50D 50° beam angle
						55D 55° beam angle
						3515D Elliptical 35° x 15° beam angle
			5020D Elliptical 50° x 20° beam angle			
			5060D Elliptical 50° x 60° beam angle			
			6070D Elliptical 60° x 70° beam angle			

ORDERING INFORMATION

Voltage	Driver	Options
MVOLT <sup>3</sup> 120 277 347 <sup>4</sup>	UGZ <sup>5</sup> Universal dimming to 1% (0-10V, 120V TRIAC or ELV)	SF <sup>5,6</sup> Single fuse TRW <sup>7,8</sup> White painted flange TRBL <sup>8,9</sup> Black painted flange CP <sup>1</sup> Chicago plenum NPP16D <sup>5,6,10</sup> nLight® network power/relay pack with 0-10V dimming. NPP16DER <sup>5,6,10</sup> nLight® network power/relay pack with 0-10V dimming. ER control fixtures on emergency circuit.
		CR190 High CRI (90+) HAO <sup>1</sup> High ambient (40°C) ICAT <sup>1</sup> IC/Airtight housing construction NCH <sup>12</sup> Structural reinforcement pan

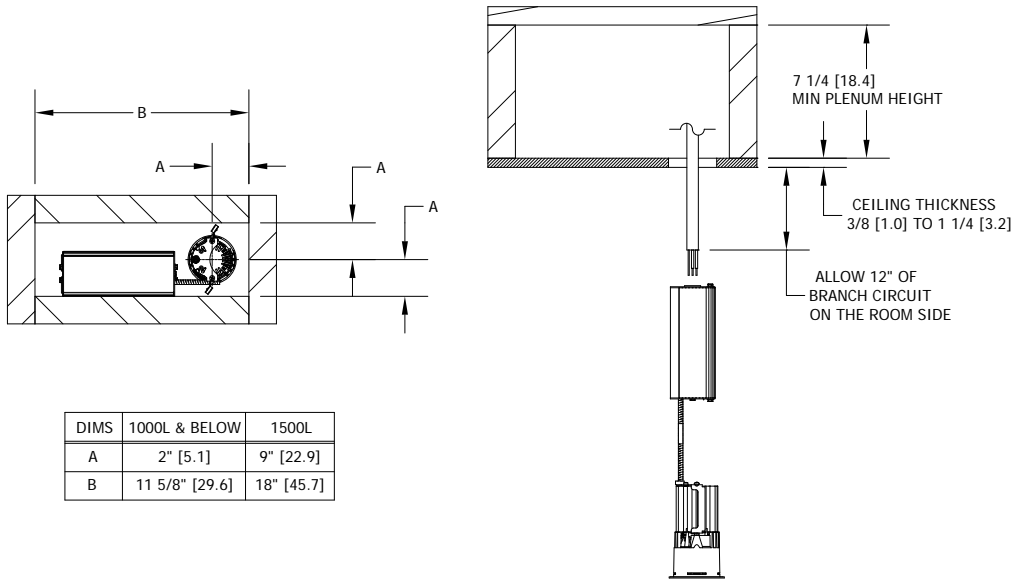
ACCESSORIES order as separate catalog numbers (shipped separately)

OPTC2 <sup>11</sup>	Additional optics available for field installation	HS258	2-5/8" Hole saw
OPTC2 KIT	Kit including a field interchangeable optic for each of the 13 preset beam distribution patterns	HS234FL	2-3/4" Hole saw for flangeless trim option

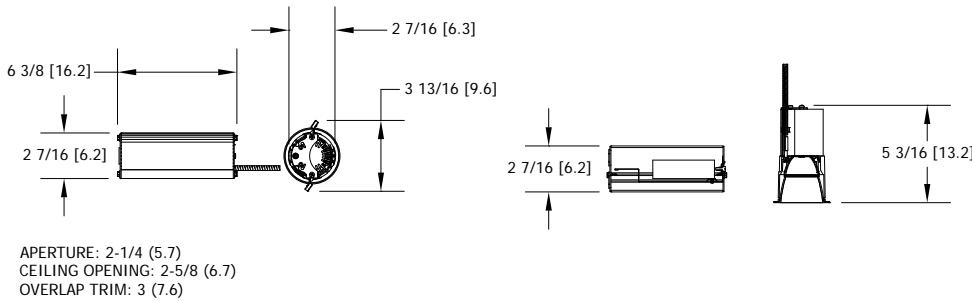
DIMENSIONAL DATA

All dimensions are inches (centimeters) unless otherwise noted.

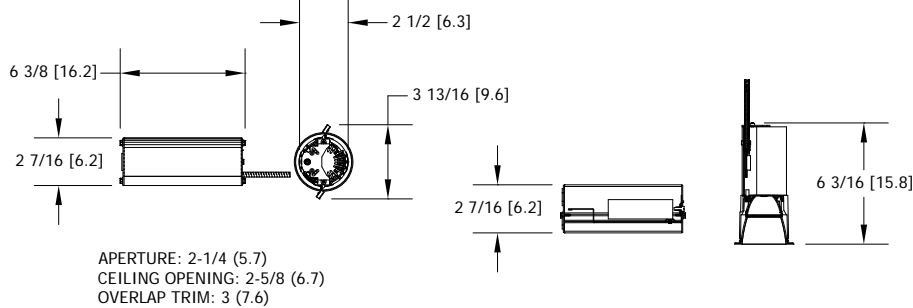
**RECESSED APPLICATION — MINIMUM CLEARANCE REQUIREMENTS**



**500, 750, AND 1000 LUMEN INSTALL-FROM-BELOW CONSTRUCTION**



**1500 LUMEN OR AMBIENT OPTION INSTALL-FROM-BELOW CONSTRUCTION**



**ORDERING NOTES**

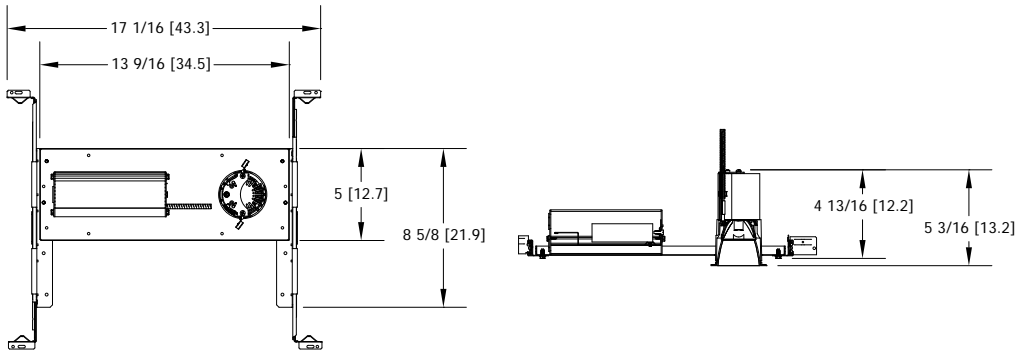
- 1500lm not available with CP, ICAT, or HAO.
- Not available with finishes.
- Multi-volt 120-277V.
- Device must be remote mounted. Will not be factory installed. Access required to location of remote mounted device.
- Refer to [TECH SHEET 240](#) for full list of recommended compatible dimmers. Control system electrical load, and protocol may limit minimum dim level.
- Must specify 120, 277, or 347V.
- Not specifiable with WR reflector.
- Not available with flangeless (FL) trim style.
- Not specifiable with BR reflector.
- Access to nPod necessary for servicing.
- Must specify desired optical distribution from available options in "Beam" column. i.e. OPTC2 15D or OPTC2 3515D. Includes additional capture rings.
- NCH is required for T-grid ceilings or where code prohibits resting the driver box on the ceiling.

NOTES

DIMENSIONAL DATA

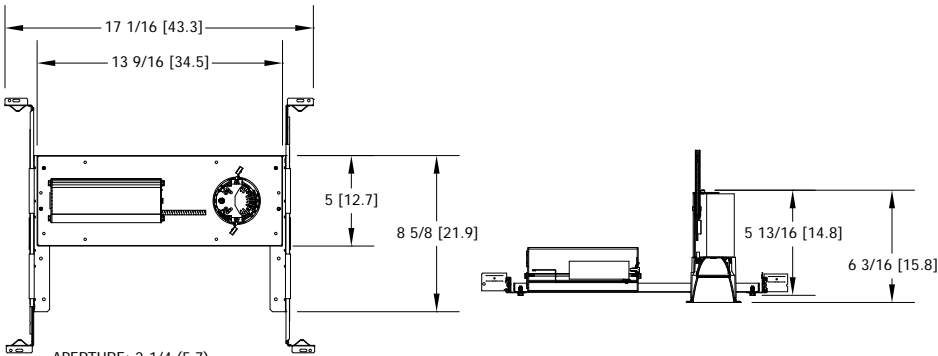
All dimensions are inches (centimeters) unless otherwise noted.

**500, 750, AND 1000 LUMEN STRUCTURAL REINFORCEMENT PAN**



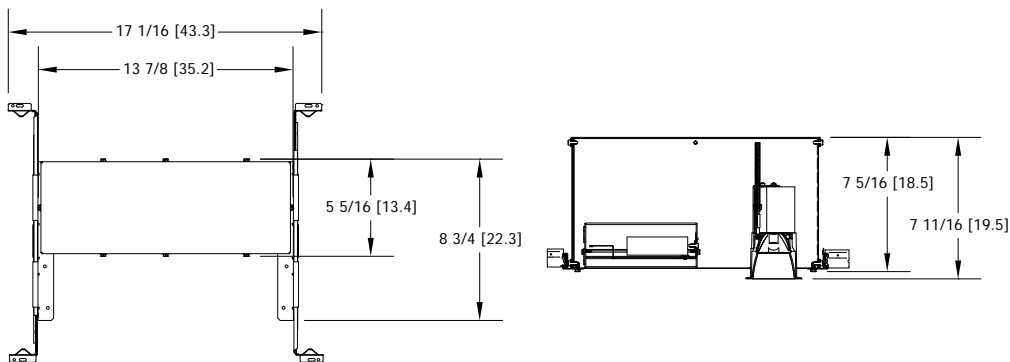
APERTURE: 2-1/4 (5.7)  
CEILING OPENING: 2-5/8 (6.7)  
OVERLAP TRIM: 3 (7.6)

**1500 LUMEN OR HIGH AMBIENT OPTION STRUCTURAL REINFORCEMENT PAN**



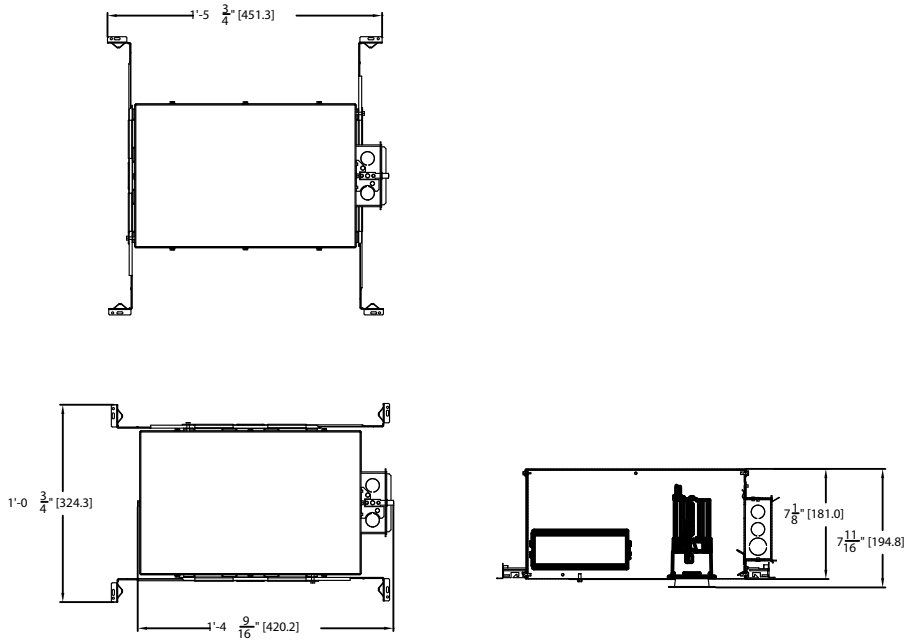
APERTURE: 2-1/4 (5.7)  
CEILING OPENING: 2-5/8 (6.7)  
OVERLAP TRIM: 3 (7.6)

**IC / AIRTIGHT HOUSING CONSTRUCTION**



DIMENSIONAL DATA

**CHICAGO PLENUM CONSTRUCTION**



ELECTRICAL

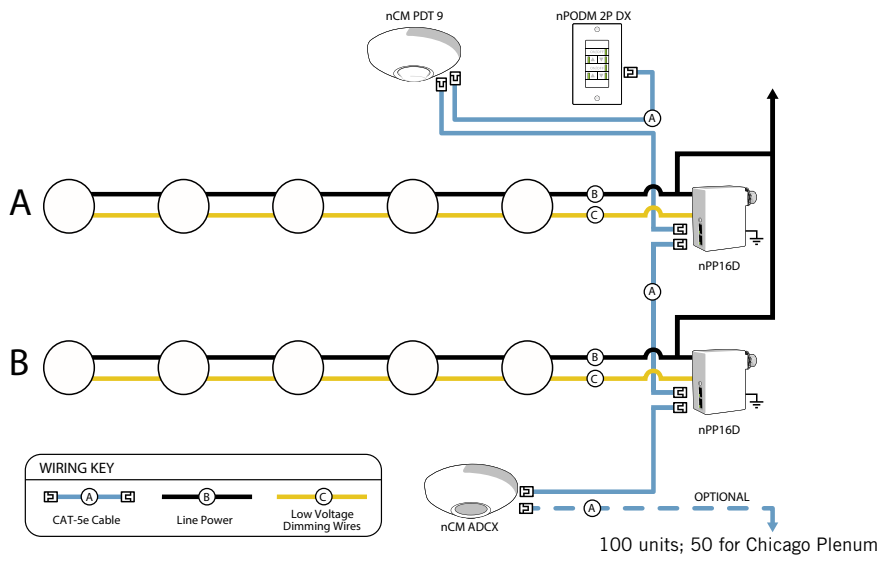
WATTAGE CONSUMPTION MATRIX	
LUMENS	WATTAGE
500	7
750	10
1000	13
1500	22

PHOTOMETRY

**CONSULT GOTHAMLIGHTING.COM FOR PHOTOMETRY.**

CRI	CCT	Multiplier
80	2700K	0.902
	3000K	0.951
	3500K	1
	4000K	1.073
90	2700K	0.78
	3000K	0.829
	3500K	0.85
	4000K	0.878





nLight® Control Accessories:			
Order as separate catalog number. Visit <a href="http://www.sensorswitch.com/nLight">www.sensorswitch.com/nLight</a> for complete listing of nLight controls.			
<b>WallPod stations</b>	<b>Model number</b>	<b>Occupancy sensors</b>	<b>Model number</b>
On/Off	nPODM [color]	Small motion 360°, ceiling (PIR / dual tech)	nCM 9 / nCM PDT 9
On/Off & Raise/Lower	nPODM DX [color]	Large motion 360°, ceiling (PIR / dual tech)	nCM 10 / nCM PDT 10
Graphic Touchscreen	nPOD GFX [color]	Wide view (PIR / dual tech)	nWV 16 / nWV PDT 16
<b>Photocell controls</b>	<b>Model number</b>	Wall Switch w/ Raise/Lower (PIR / dual tech)	nWSX LV DX / nWSX PDT LV DX
Dimming	nCM ADCX	<b>Cat-5 cables (plenum rated)</b>	<b>Model number</b>
		10', CAT5 10FT	CAT5 10FT J1
		15', CAT5 15FT	CAT5 15FT J1

# JUNO SLIMFORM™ LED SURFACE MOUNT DOWNLIGHTS

FOR J-BOX INSTALLATION  
5", 7", 11", 13" ROUND

**JSF SERIES**

Project: \_\_\_\_\_

Fixture Type: \_\_\_\_\_

Location: \_\_\_\_\_

Contact/Phone: \_\_\_\_\_



## PRODUCT DESCRIPTION

Sleek, ultra-low profile energy efficient LED surface mount downlights in multiple sizes from 5" to 13" • Provides economical installation by mounting directly over standard and fire-rated junction boxes • Optional finish trims available for custom, designer look similar to standard recessed downlights • Provides general illumination in residential and commercial applications including multi-family and hospitality • Ideal for use in corridors, living spaces, closets, hallways, pantries, stairways, outdoor covered areas with Emergency Option and much more.

## PRODUCT SPECIFICATIONS

**Construction** Shallow, less than 1", solid ring with white finish • Non conductive fixture for shower light applications • Optional, field installable finish trims available for 5" and 7" versions to change the exterior finish of fixture

**Optics** Light guide technology combined with diffusing lens conceals the LEDs from direct view and provides uniform lens luminance.

**LED Light Engine** LEDs mounted directly to heatsink designed to provide superior thermal management and ensure long life • 2700K, 3000K, 3500K or 4000K LED color temperature • LEDs binned for 4-step MacAdam ellipse color consistency • 90 CRI minimum.

**LED Driver** Choice of dedicated 120 volt (120) driver or universal voltage (MVOLT) driver that accommodates input voltages from 120-277 volts AC at 50/60Hz • Power factor > 0.9 at 120V input • 120 volt driver is dimmable with the use of most incandescent, magnetic low voltage and electronic low voltage wall box dimmers • Universal voltage driver is dimmable with the use of most 0-10V wall box dimmers • External driver is only available on 5" and 7" models • For a list of compatible dimmers, see [JUNOSLIMFORM-DIM](#).

**Emergency Battery Option** Available on fixture sizes 11" and larger • Battery factory assembled to fixture with integral test switch • Drives LEDs for 90 minutes to meet Life Safety Code (NFPA-LSC), National Electrical Code (NEC), and UL requirements • Title 20 certified battery pack available when ordering E10WLCP option • EBX option provides back box without battery for consistent look when used in same space as fixtures with EL emergency option • Damp location only with emergency option.

**Life** Rated for 50,000 hours at >70% lumen maintenance.

**Labels** ENERGY STAR® certified • Certified to the high efficacy requirements of California T24 JA8-2016 • CSA listed for US and Canada • Suitable for wet locations (covered ceilings) • Damp location only with emergency option.

**Testing** All reports are based on published industry procedures; actual performance may differ as a result of the end-user environment and applications. All values are design or typical values, measured under laboratory conditions at 25 °C.

**Warranty** 5-year limited warranty. This is the only warranty provided and no other statements in this specification sheet create any warranty of any kind. All other express and implied warranties are disclaimed. Complete warranty terms located at: [www.acuitybrands.com/support/warranty/terms-and-conditions](http://www.acuitybrands.com/support/warranty/terms-and-conditions)

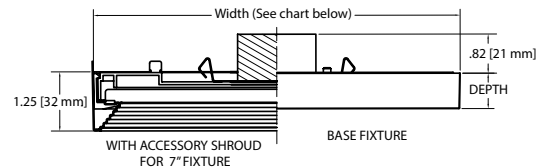
**Note:** Actual performance may differ as a result of end-user environment and application.

All values are design or typical values, measured under laboratory conditions at 25 °C.

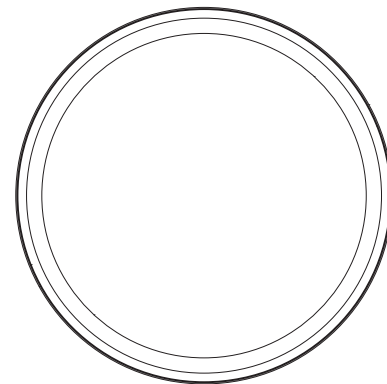
Specifications subject to change without notice.



## DIMENSIONS



External driver available on 5" and 7" models only.



## ROUND SPECIFICATIONS

	Width	Depth
JSF 5IN	5.25 (13.34)	0.75 (1.91)
JSF 7IN	7.77 (19.74)	0.75 (1.91)
JSF 11IN	11.08 (28.14)	0.9 (2.29)
JSF 13IN	13.05 (33.15)	0.9 (2.29)

All dimensions are in inches (centimeters) unless otherwise indicated.

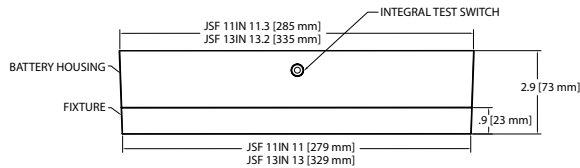
## INSTALLATION

**Junction Box Mounting** Fixture provided with leads for direct wire connection in j-box • Installs directly to industry standard junction boxes • Compatible boxes include 4" metal or plastic octagonal standard and fire-rated junction boxes (3 1/2" junction box screw-hole spacing required for installation) • Minimum 2 1/8" deep junction box required for 5" and 7" fixtures (no depth requirement for 11" and larger fixtures) • Quick mount bracket provides fast installation of fully assembled fixture to junction box • Suitable for ceiling mount • Suitable for use within closet storage spaces when installed per NEC requirements.  
**Junction box sizes vary - Verify compatibility with fixture prior to installation**

# JUNO SLIMFORM™ LED SURFACE MOUNT DOWNLIGHTS

FOR J-BOX INSTALLATION  
5", 7", 11", 13" ROUND  
**JSF SERIES**

## EMERGENCY BATTERY FOR 11" AND 13"



## PERFORMANCE DATA

	JSF 5IN		JSF 7IN		JSF 11IN		JSF 13IN	
	120V	MVOLT	120V	MVOLT	120V	MVOLT	120V	MVOLT
Lumens	700	700	1000	1000	1300	1300	1800	1800
CRI	90CRI		90CRI		90CRI		90CRI	
CCT	27K, 30K, 35K, 40K		27K, 30K, 35K, 40K		27K, 30K, 35K, 40K		27K, 30K, 35K, 40K	
Voltage	120V	120V-277V	120V	120V-277V	120V	120V-277V	120V	120V-277V
Input Power	10W	10W	13W	13W	15W	15W	20W	20W
Input Current	110MA	50MA	150MA	60MA	180MA	80MA	240MA	110MA
Frequency	50/60Hz		50/60Hz		50/60Hz		50/60Hz	
Power Factor	>0.9		>0.9		>0.9		>0.9	

## ORDERING INFORMATION

Example: JSF 5IN 07LM 27K 90CRI 120 FRPC WH

Series	Size/Lumens	Color Temperature	CRI	Voltage/Driver	Finish	Emergency Battery <sup>1,2</sup>
JSF SlimForm Surface Mount Downlight - Round	5IN 07LM 5", 700 Lumens	27K 2700K	90CRI 90+ CRI	120 FRPC Dedicated 120V, Forward Reverse Phase Dimming	WH White	EL <sup>3†</sup> Battery Back-up Option EBX Empty Back Box for Aesthetics
	7IN 10LM 7", 1000 Lumens	30K 3000K				
	11IN 13LM 11", 1300 Lumens	35K 3500K		MVOLT ZT Universal Voltage 120V-277V, 0-10V Dimming		E10WLCP <sup>4†</sup> EM Self-Diagnostic battery pack, 10W Constant Power, Certified in CA Title 20 MAEDBS.
	13IN 18LM 13", 1800 Lumens	40K 4000K				

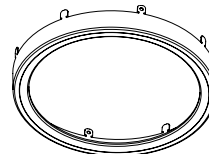
†: EL Battery Back-up option is not Energy Star certified

## ACCESSORIES

**TRIM** – Optional, field installable finish trim rings available to change the exterior finish of fixture.

Example: JSFTRIM 5IN BZ

Series	Size	Finish
JSFTRIM SlimForm Accessory- Trim	5IN 5 inches	BL Black
	7IN 7 inches	BZ Bronze
		SN Satin Nickel



**TRIM**

### Notes:

- Emergency battery available with 11IN and 13IN only.
- Emergency battery is only available with MVOLT ZT.
- EL battery option not available in California due to Title 20 restrictions.
- E10WLCP ordering option is Title 20 certified for shipments to California.

# JUNO SLIMFORM™ LED SURFACE MOUNT DOWNLIGHTS

FOR J-BOX INSTALLATION  
5", 7", 11", 13" ROUND  
**JSF SERIES**

## PHOTOMETRICS

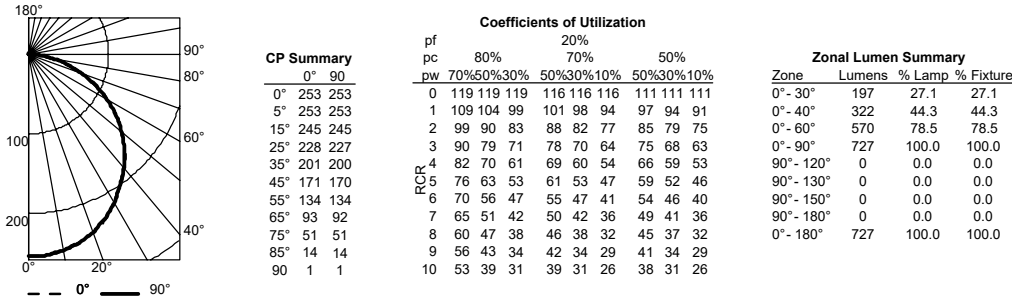
**Distribution Curve**

**Distribution Data**

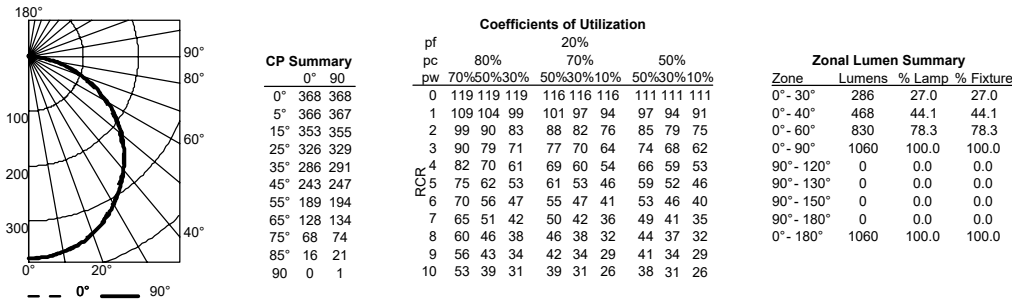
**Coefficient of Utilization**

**Illuminance Data at 30" Above Floor for a Single Luminaire**

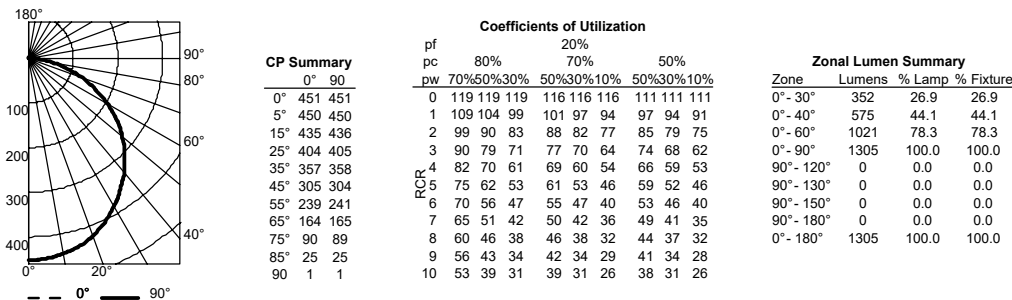
**JSF 5IN 27K**, 2700K LEDs, input watts: 9.72, delivered lumens: 727, LM/W = 74.8, test no. ISF 33599, tested in accordance to IESNA LM-79.



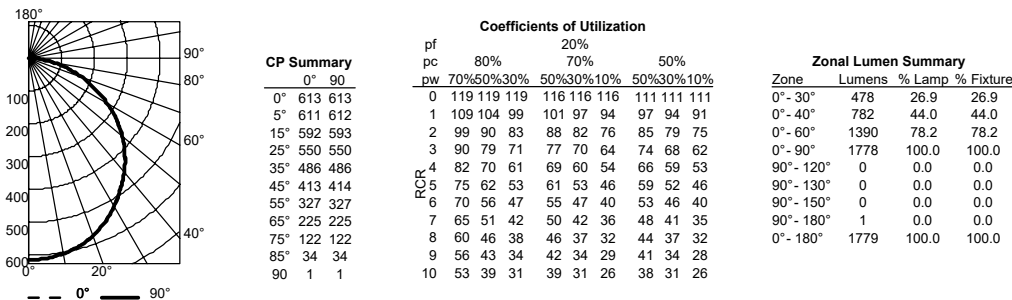
**JSF 7IN 27K**, 2700K LEDs, input watts: 12.8, delivered lumens: 1060, LM/W = 82.8, test no. ISF 33600, tested in accordance to IESNA LM-79.



**JSF 11IN 27K**, 2700K LEDs, input watts: 15.2, delivered lumens: 1305, LM/W = 85.9, test no. ISF 33661, tested in accordance to IESNA LM-79.



**JSF 13IN 27K**, 2700K LEDs, input watts: 20.2, delivered lumens: 1779, LM/W = 88, test no. ISF 33663, tested in accordance to IESNA LM-79.



For 30K fixtures, use 1.02 multiplier; For 35K fixtures, use 1.03 multiplier, For 40K fixtures, use 1.07 multiplier.

### Features

- 4" (102 mm) centerset faucet holes.
- Oval basin.
- Overflow drain.
- Combination consists of the K-2028-4 sink and the K-2057 shroud.

### Material

- Vitreous china.

### Installation

- Wall-mount.

### Recommended Products/Accessories

- K-7605-P Angle Supply with Stop (pair)
- K-8998 P-Trap
- K-23726 Drain treatment
- K-23725 Cast iron cleaner

### Included Components

Additional Components:

- 2028-4
- 2057
- Hanger(s)
- Rubber pads
- shroud accessory pack



ADA

OBC

### Codes/Standards




ASME A112.19.2/CSA B45.1  
ADA  
ICC/ANSI A117.1  
OBC

### KOHLER® One-Year Limited Warranty

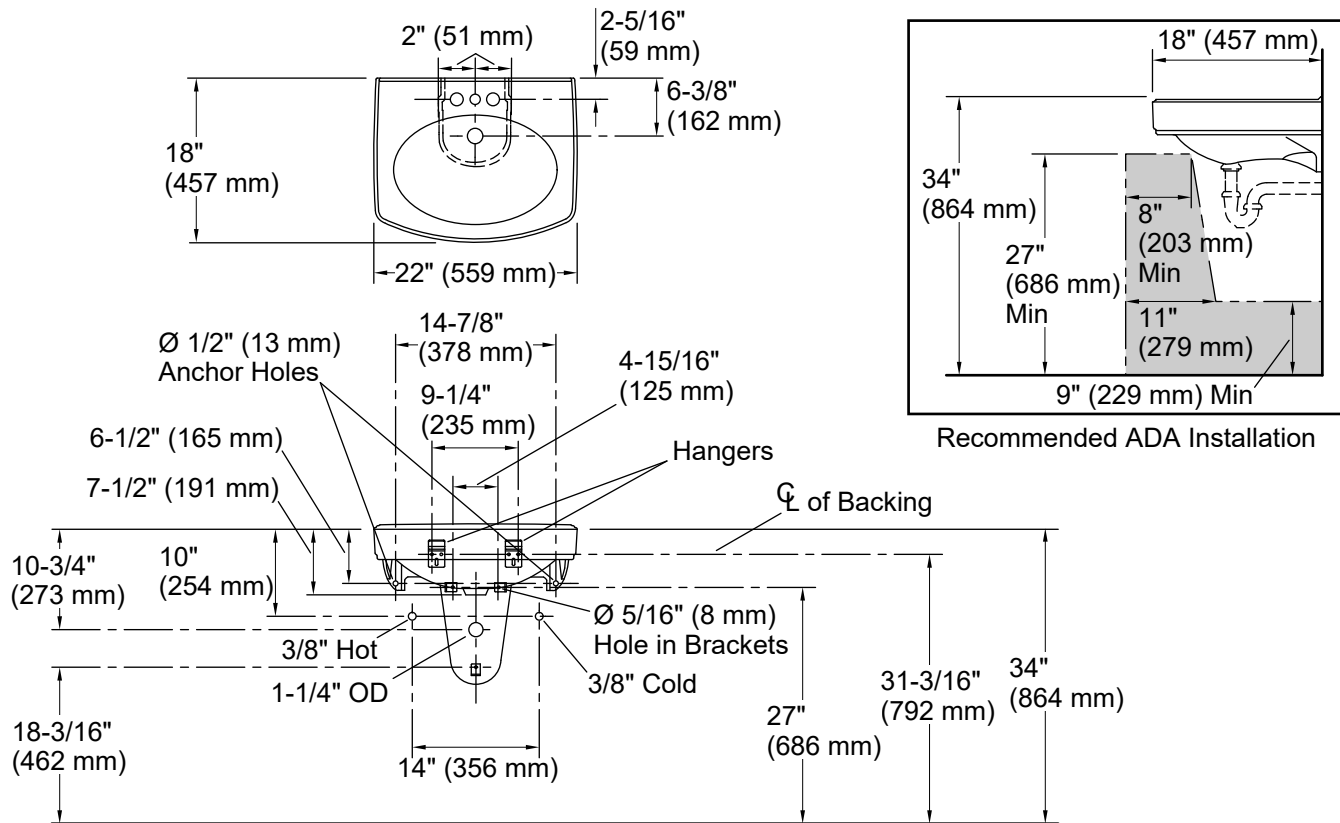
See website for detailed warranty information.

### Available Colors/Finishes

*Color tiles intended for reference only.*

Color	Code	Description
	0	White
	96	Biscuit
	7	Black Black™





### Technical Information

All product dimensions are nominal.

- Bowl configuration: Single
- Installation: Wall-mount
- Bowl area (Only): Length: 18" (457 mm)  
Width: 12" (305 mm)  
Water depth: 4" (102 mm)
- Number of deck holes: 3
- Faucet hole spacing: 4" (102 mm)
- Faucet hole(s): 1-1/4" (32 mm)
- Drain hole: 1-3/4" (44 mm)

### Notes

Install this product according to the installation instructions.

ADA, OBC compliant when installed to the specific requirements of these regulations.



# Highcliff™ Ultra

Top spud flushometer bowl w/ bedpan lugs  
K-96057-L

## Features

- Elongated bowl offers added room and comfort.
- 1-1/2" (38 mm) top spud.
- Bedpan lugs included.
- 10" or 12" (254 or 305 mm) rough-in.
- 1.0 gpf (3.8 lpf), 1.1 gpf (4.2 lpf), 1.28 (4.8 lpf), or 1.6 gpf (6.0 lpf) depending on flushometer specified.
- Also available with antimicrobial finish K-96057-SSL.
- 2-1/8" (54 mm) fully glazed trapway.
- 10" x 7" (254 mm x 178 mm) water surface.
- Supports static load of 2,500 lbs.

## Material

- Vitreous china.

## Technology

- Designed to outperform competitors in bowl cleanliness and plug resistance.
- Maximum waste removal.
- Engineered for toilet seat cover removal.
- Excellent bowl rinse.
- Engineered to flush effectively in buildings with low supply pressure and flow.
- Maximum drainline carry at all flush volumes per ASME Standard.

## Installation

- Replaces Highcrest K-4302-L, Highcliff K-4368-L and Highline K-4405-L. Height and footprint may vary.
- Seat sold separately.

## Included Components

Additional Components:

- Bolt cap accessory pack
- Spud



**ADA** **CSA B651** **OBC**

## Codes/Standards



ASME A112.19.2/CSA B45.1  
DOE - Energy Policy Act 1992  
EPA WaterSense®  
California Energy Commission (CEC)  
ADA  
ICC/ANSI A117.1  
CSA B651  
OBC

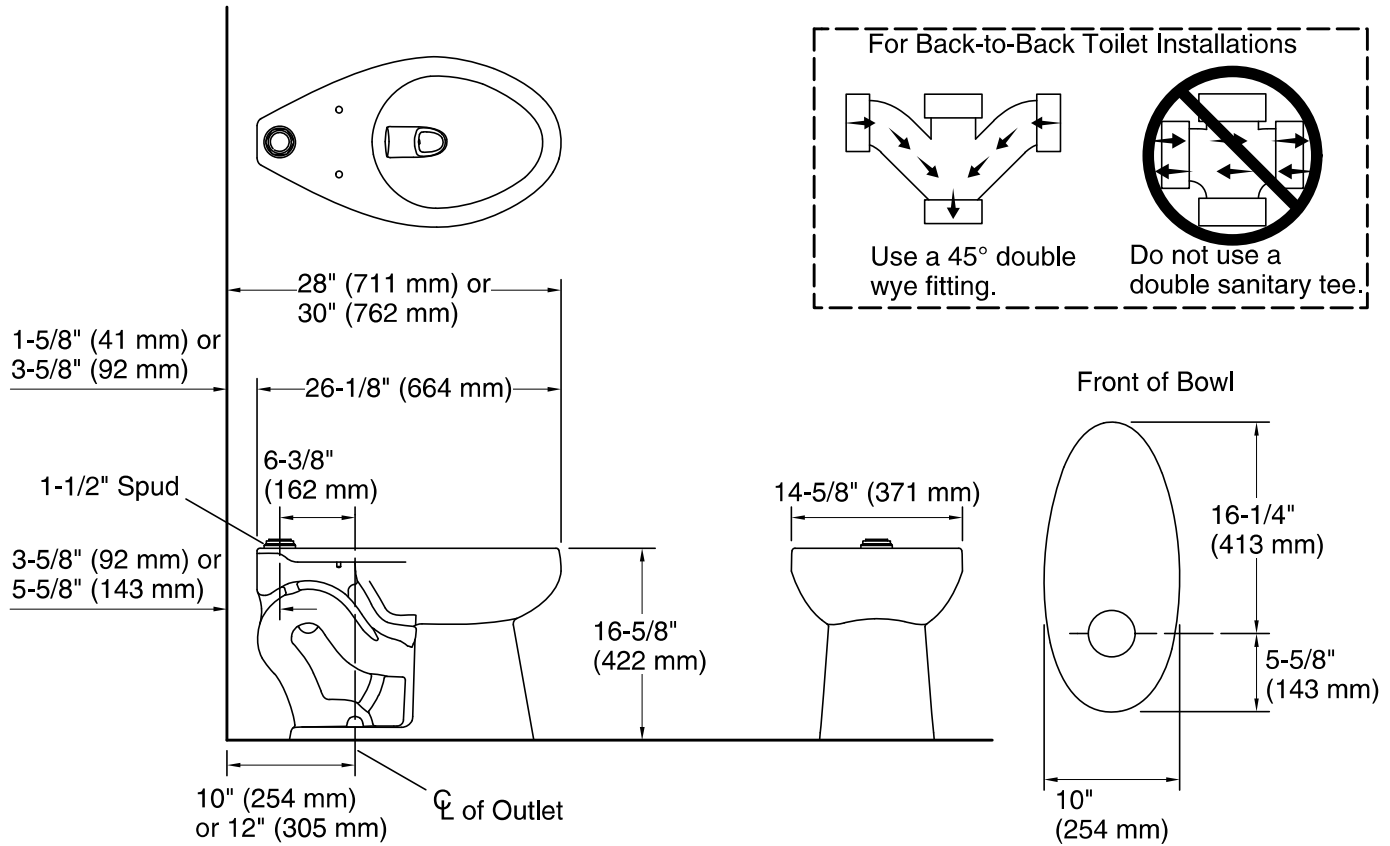
## KOHLER® One-Year Limited Warranty

See website for detailed warranty information.

## Available Colors/Finishes

*Color tiles intended for reference only.*

Color	Code	Description
	0	White
	7	Black Black™



### Technical Information

All product dimensions are nominal.

Toilet type:	Flushometer, Floor-mount
Waste Outlet:	Floor
Bowl shape:	Elongated
Flush type:	Flushometer valve siphon
Spud size:	Inlet, Top
Trap passageway:	2-1/8" (54 mm)
Water Consumption	
Full:	1.6 gpf (6 lpf)
Reduced:	1 gpf (3.8 lpf)
Water surface size:	10" x 7" (254 mm x 178 mm)
Rim to water surface:	6" (152 mm)
Rough-in:	12" (305 mm)
Seat-mounting holes:	5-1/2" (140 mm)

### Fixture Supply Requirements

Min static pressure: 35 psi (241.3 kPa)

1-800-4KOHLER (1-800-456-4537)

Kohler Co. reserves the right to make revisions without notice to product specifications.

For the most current Specification Sheet, go to [www.kohler.com](http://www.kohler.com).

3-24-2022 05:10 - US/CA

### Notes

Install this product according to the installation instructions.

For back-to-back toilet installations: Use only a 45° double wye fitting.

ADA, OBC, CSA B651 compliant when installed to the specific requirements of these regulations.

Plumbing codes may require elongated toilets and elongated, open-front seats in public bathrooms.

Accessibility standards may require controls to be located on the open side of the toilet.

**CODE NUMBER**

3910276

**DESCRIPTION**

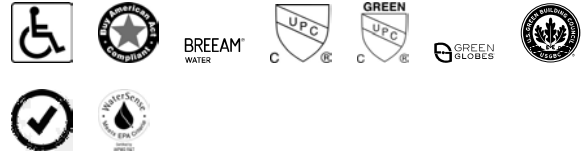
1.28 gpf, Polished Chrome Finish, Fixture Connection Top Spud, Single Flush, Battery, Royal® Exposed Sensor Water Closet Flushometer.

**DETAILS**

- Flush Volume: 1.28 gpf (4.8 Lpf)
- Finish: Polished Chrome (CP)
- Power Type: Battery ( )
- Battery Life: 3 years
- Valve: Diaphragm
- Valve Body Material: Semi-red Brass
- Fixture Type: Water Closet
- Fixture Connection: Top Spud
- Rough-In Dimension: 11 ½" (292mm)
- Spud Coupling: 1 ½" (38mm)
- Supply Pipe: 1" (25mm)

**FEATURES**

- True Mechanical Override Flush Button
- Four (4) size C alkaline batteries included
- "Low Battery" Flashing LED
- "User in View" Flashing LED
- 72-Hour Sentinel Flush
- Sweat solder adapter with cover tube and cast wall flange with set screw
- No External Volume Adjustment to Ensure Water Conservation
- Infrared Sensor with Multiple-focused, Lobular Sensing Fields for high and low target detection
- 1" I.P.S. Screwdriver Bak-Chek® Angle Stop with Free Spinning Vandal Resistant Stop Cap
- Diaphragm, Stop Seat and Vacuum Breaker to be molded from PERMEX® rubber compound for Chloramine resistance

**COMPLIANCES & CERTIFICATIONS**

(ADA Compliant, BAA Compliant, BREEAM Water Credit, cUPC Certified, cUPC Green Certified, Green Globes Water Credit, LEED V4 Water Efficiency Credit, Satisfies LEED Credits, WaterSense Listed)

**RECOMMENDED SPECIFICATION**

Valve Body, Cover, Tailpiece and Control Stop shall be in conformance with ASTM Alloy Classification for Semi- Red Brass. Valve shall be in compliance with the applicable sections of ASSE 1037 and ANSI/ASME 112.19.2.

**ELECTRICAL SPECIFICATIONS**

- Battery Life: 3 years

**VALVE OPERATING PRESSURE (FLOWING)**

15-80 PSI (103-552 kPa). Specific fixtures may require greater minimum flowing pressure - consult manufacturer requirements.

**DOWNLOADS**

- EBV-500/550-A Installation Instructions
- EL-700/750-A Installation Instructions
- Control Stop Repair and Maintenance Guide
- Flush Connections Flanges Repair and Maintenance Guide
- Tail Piece Repair and Maintenance Guide
- Additional Downloads

**NOTES**

All information contained within this document subject to change without notice.

Looking for other variations of the ROYAL 111 SFSM product? View the general spec sheet with all options.

Find a compatible urinal for this flushometer.

Find a compatible water closet for this flushometer.

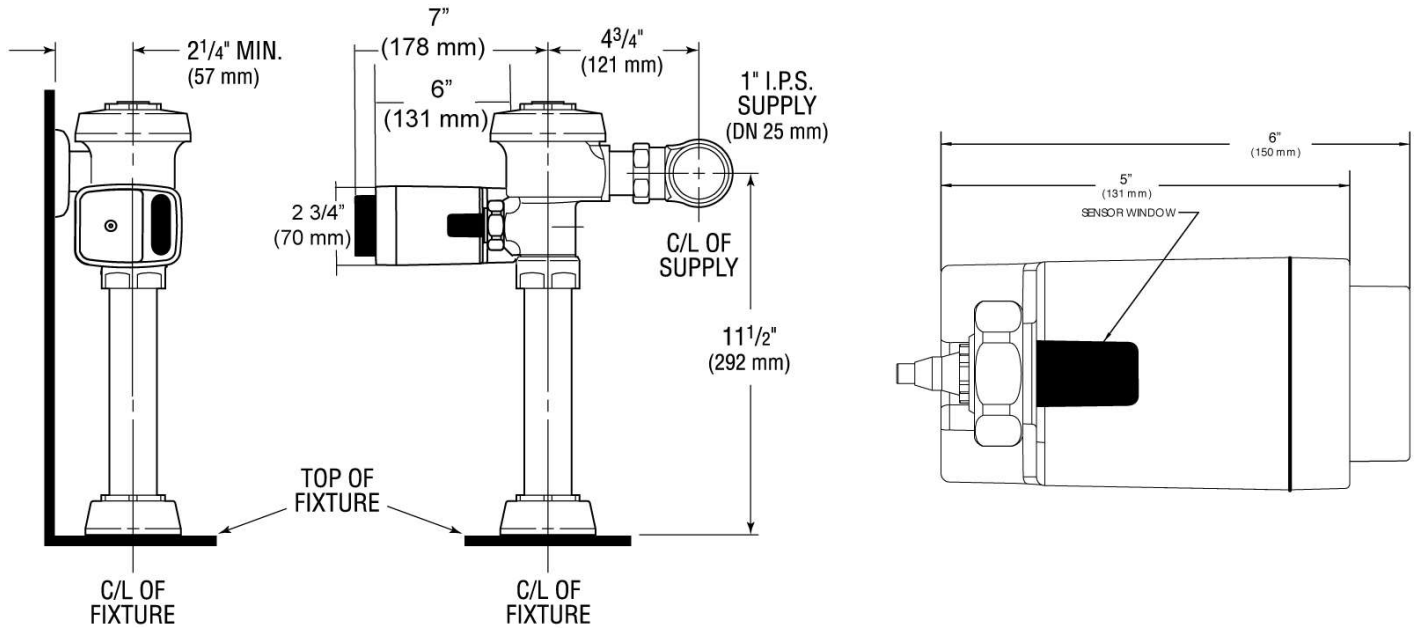
Sloan 10500 Seymour Ave, Franklin Park, IL 60131

Phone: 800.982.5839 • Fax: 800.447.8329 • sloan.com

WaterSense compliant when used with a WaterSense compliant fixture



**ROUGH-IN**



Sloan 10500 Seymour Ave, Franklin Park, IL 60131  
Phone: 800.982.5839 • Fax: 800.447.8329 • sloan.com

### Features

- 4" (102 mm) centerset faucet holes.
- Oval basin.
- Overflow drain.
- Combination consists of the K-2028-4 sink and the K-2057 shroud.

### Material

- Vitreous china.

### Installation

- Wall-mount.

### Recommended Products/Accessories

- K-7605-P Angle Supply with Stop (pair)
- K-8998 P-Trap
- K-23726 Drain treatment
- K-23725 Cast iron cleaner

### Included Components

Additional Components:

- 2028-4
- 2057
- Hanger(s)
- Rubber pads
- shroud accessory pack



ADA

OBC

### Codes/Standards

ASME A112.19.2/CSA B45.1  
ADA  
ICC/ANSI A117.1  
OBC




### KOHLER® One-Year Limited Warranty

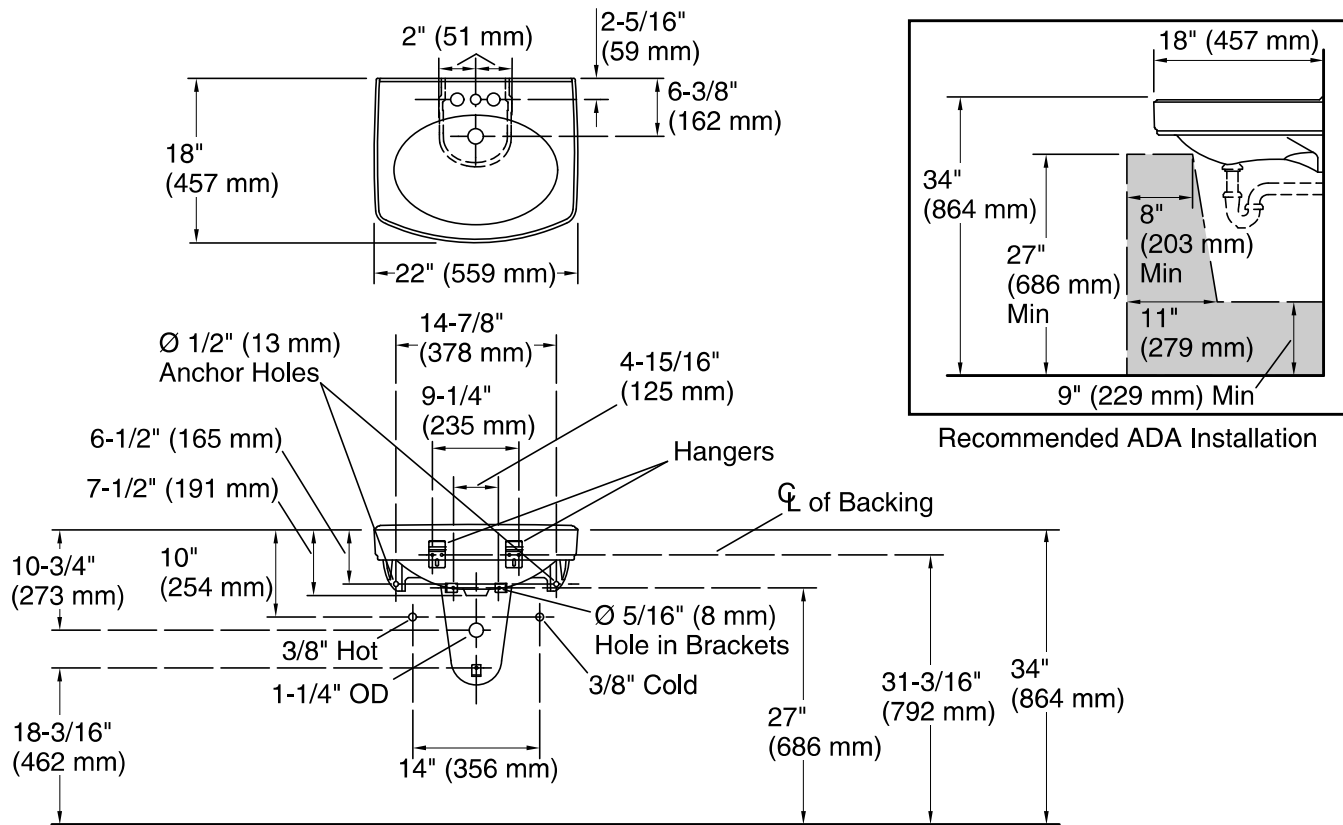
See website for detailed warranty information.

### Available Colors/Finishes

*Color tiles intended for reference only.*

Color	Code	Description
-------	------	-------------

	0	White
	96	Biscuit
	7	Black Black™



### Technical Information

All product dimensions are nominal.

Bowl configuration:	Single
Installation:	Wall-mount
Bowl area (Only):	Length: 18" (457 mm) Width: 12" (305 mm) Water depth: 4" (102 mm)
Number of deck holes:	3
Faucet hole spacing:	4" (102 mm)
Faucet hole(s):	1-1/4" (32 mm)
Drain hole:	1-3/4" (44 mm)

### Notes

Install this product according to the installation instructions.

ADA, OBC compliant when installed to the specific requirements of these regulations.

## CODE NUMBER

3362174

## DESCRIPTION

Battery Power Supply, Below Deck Manual Mixing Valve, Polished Chrome Finish, 0.35 gpm, Multi-Laminar Spray, Infrared Sensor, Sloan® Battery-Powered Deck-Mounted Mid Integrated Base Body Faucet.

## DETAILS

- Flow Rate: 0.35 gpm (1 Lpm) (0.35GPM)
- Spray Type: Multi-Laminar (MLM)
- Spout Type: Pedestal ( )
- Sensor Type: Infrared (IR)
- Mounting Type: 4" Centerset ( )
- Power Supply: Battery (BAT)
- Temperature Mixer: Below Deck Manual Mixing Valve (BDM)
- Finish: Polished Chrome (CP)
- Factory Default Timeout: 30s
- Factory Default GPC: 0.175

## FEATURES

Commercial Grade, ADA Compliant, Electronic, Sensor-Activated, Brass 4 Centerset Hand Washing Faucet with the following features:

- Splash-proof Circuit Control Module
- Adjustable Infrared Sensor Range
- 36" (914 mm) Long Sensor Cable
- 24" (610 mm) Long Flex Hose
- Filtered Solenoid Valve with serviceable Strainer Filter
- Includes Four (4) AA-size Batteries
- Includes appropriate Mounting Hardware

## ELECTRICAL SPECIFICATIONS

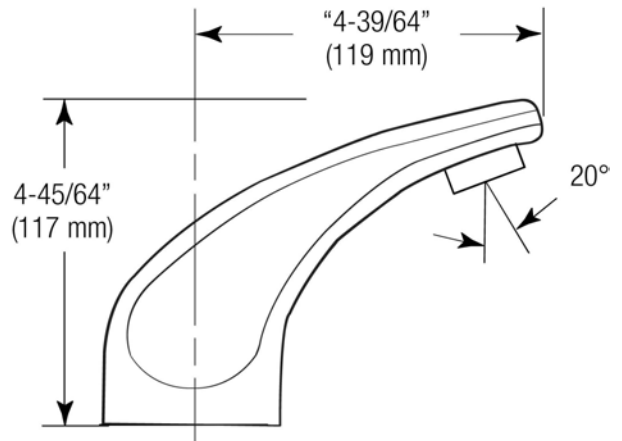
- Battery Life: 2 years 8,000 cycles/month
- Timeout Adjustment Settings: 30s

## VIDEOS

- SF-2100/2150/SF-2200/2250/SF-2300/2350/SF-2400/2450 Parts Breakdown
- SF-2100/2150/SF-2200/2250/SF-2300/2350/SF-2400/2450 Module Replacement
- SF-2100/2150/SF-2200/2250/SF-2300/2350/SF-2400/2450 Battery Replacement- Sensor Range Adjustment

## DOWNLOADS

- SF Series Installation Instructions
- SF Series (FR) Installation Instructions
- SF Series (SP) Installation Instructions
- SFP 35-A Installation Instructions
- Trim Plate Guide
- Sloan 2300/2350 Repair and Maintenance Guide



## COMPLIANCES & CERTIFICATIONS



(ADA Compliant, ASME A112.18.1 Compliant, BREEAM Water Credit, CalGreen Compliant, CEC Compliant, cUPC Certified, UPC Certified, UPC Low Lead Compliant, cUPC Low Lead Compliant, EPD, Green Globes Water Credit, HPD, NYC604.4, Proposition 65, Satisfies LEED Credits, TAS, WELL Building Standard)

## NOTES

All information contained within this document subject to change without notice.

Looking for other variations of the SF-2350 product? View the general spec sheet with all options.

Find a matching soap dispenser for this faucet.  
 Find a compatible sink for this faucet.

**Sloan 10500 Seymour Ave, Franklin Park, IL 60131**  
 Phone: 800.982.5839 • Fax: 800.447.8329 • sloan.com

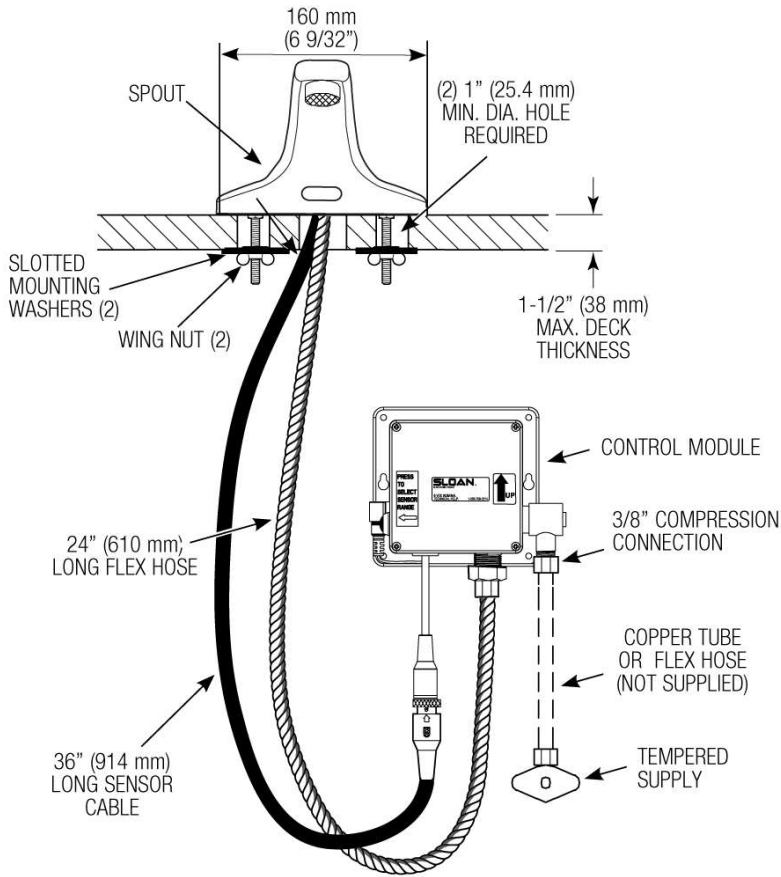
- [Additional Downloads](#)

**WARRANTY**

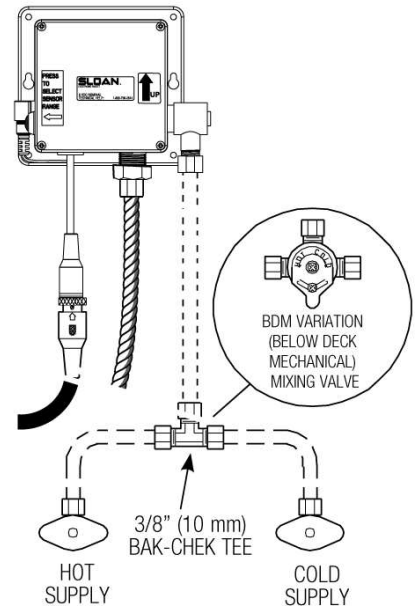
1 Year



**ROUGH-IN**

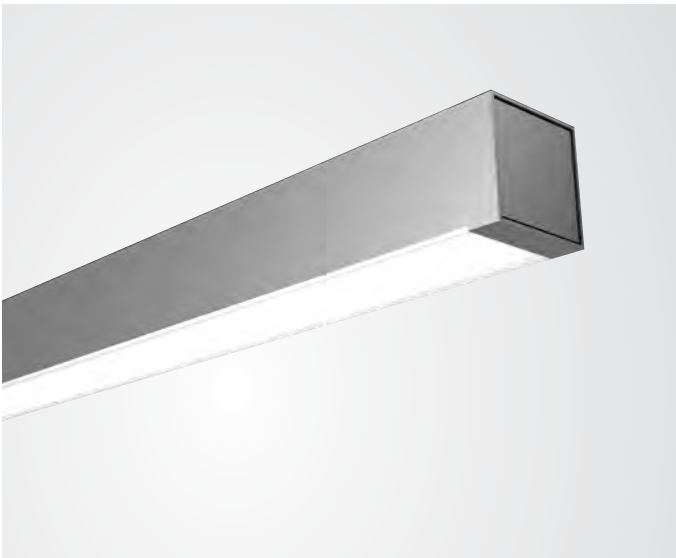


**HOT AND COLD WATER SUPPLY APPLICATIONS**  
 (SPECIFY IN MODEL VARIATION)



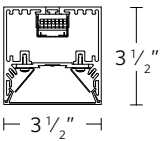
Type:

Project:



### DIMENSIONS

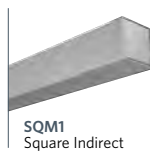
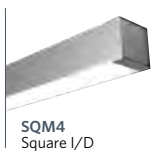
#### □ SQMS



### DETAILS



### COMPANION LUMINAIRE(S)



### CUSTOMIZATION

Ask us about the following possibilities: Higher lumen outputs, alternate section lengths in 2' increments, alternate voltages, additional mounting options, custom colors, higher CRI and R9 values and other modifications.

### HIGHLIGHTS

- Total System Integration features  
5-year limited warranty by Acuity Brands covering all components and construction
- 4' and 8' sections
- Up to 86 lm/W
- Two lumen packages
- Softshine<sup>®</sup>-engineered comfort optics
- Continuously illuminated lens
- Available with lit corners
- Flicker-free dimming to dark (0.1%) powered by eldoLED<sup>®</sup> driver
- Integrated nLight<sup>®</sup> module for system networking (optional)
- Integrated sensor for daylight dimming and/or occupancy detection (optional)
- Flat or sculptured end caps
- White, black, painted aluminum, anodized aluminum or custom color

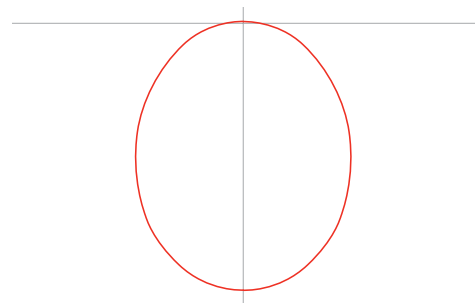


### LUMEN PACKAGES

Direct LED Output	400LMF	800LMF
Delivered Lumens Per Foot	407	781
Input Watts Per Foot	4.8	10
Lumens Per Watt	84	79

### DISTRIBUTION

100% Down



## SPECIFICATIONS

### Housing

Extruded aluminum housing is 3.5" square.

### End Caps

Extruded aluminum end caps are mechanically attached with no exposed fasteners. Flat end caps standard. For sculptured end caps, choose option SCEP.

### Color

Color for housing and end caps is gloss white, black, painted aluminum or anodized aluminum. Consult factory for custom colors.

### Luminaire Length

4' and 8' lengths in a single section for exact suspension spacing of 4' and 8'. For total length, add 1" for each flat end cap and 2 1/4" for each sculptured end cap. Longer rows are comprised of starter, joiner and end sections.

### Source

Two LED lumen packages and three available color temperature options (3000K, 3500K and 4000K) — all within 2.5 MacAdam ellipses.

### Optics

Softshine® optical system consists of co-extruded acrylic lenses and metal reflectors. Lenses connect end to end to form a continuous line of light.

### Dimming Driver

eldoLED driver provides "natural dimming" with smooth, continuous and flicker-free operation to 0.1% dim levels. Acuity luminaires incorporating eldoLED LED drivers perform within the recommended operating areas for flicker as a function of frequency and modulation (%) outlined in IEEE Standard 1789-2015 (IEEE Recommended Practices for Modulating Current in High-Brightness LEDs for Mitigating Health Risks to Viewers), in typical operating conditions at representative dimming levels. Syncing for controls: 2mA max. THD: < 20%. Insignificant inrush current at 120 and 277VAC. FCC Class A and B tested for EMI and RFI.

When Control Input of 0-10V is specified driver will be set for linear dimming curve, if nLIGHT is specified driver will be set for logarithmic dimming curve.

### Controls and System Networking Options

For wired networking via Cat-5e, choose an integrated nLight® module. For daylight dimming and/or dual technology occupancy detection, see Integrated Sensor Layout Page for more details.

### Electrical

LED light engine — consisting of modular LED boards and 0-10V dimming driver — is rated for 60,000 hours (L80) at 25° C ambient temperature. Specify 120V or 277V. Pre-wired with 16AWG fixture wire. For special circuiting or wire gauge, consult factory. Plug-in electrical connectors included.

### Environment

Suitable for damp location.

### Validation

CSA/CUS listed. CSA tested to UL 1598 standards. LM-79 tested. Individual sections meet FCC Part 15 requirements.

### Packaging

100% post-consumer recycled cardboard box and inserts. Biodegradable protective luminaire bag. Recycled kraft paper tape.

### Buy American

This product is assembled in the USA and meets the Buy America(n) government procurement requirements under FAR, DFARS and DOT. Please refer to [www.acuitybrands.com/buy-american](http://www.acuitybrands.com/buy-american) for additional information.

### Warranty

5-year limited warranty. Complete warranty terms located at [www.acuitybrands.com/support/customer-support/terms-and-conditions](http://www.acuitybrands.com/support/customer-support/terms-and-conditions)

**Note:** Actual performance may differ as a result of end-user environment and application. All values are design or typical values, measured under laboratory conditions at 25 °C.

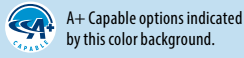
### A+ Capable Luminaire

This item is an A+ capable luminaire, which has been designed and tested to provide consistent color appearance and out-of-the-box control compatibility with simple commissioning.

- All configurations of this luminaire meet the Acuity Brands' specification for chromatic consistency
- This luminaire is part of an A+ Certified solution for nLight® control networks when ordered with drivers marked by a shaded background\*
- This luminaire is part of an A+ Certified solution for nLight control networks, providing advanced control functionality at the luminaire level, when selection includes driver and control options marked by a shaded background\*

To learn more about A+, visit [www.acuitybrands.com/aplus](http://www.acuitybrands.com/aplus).

\*See ordering tree for details



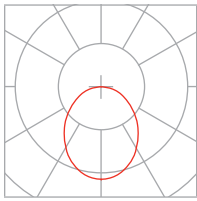
**MODEL NUMBER** Example: SQMS LLP 16FT MSL8 80CRI 35K 800LMF DARK ZT 120 SCT F1/24A C110

Luminaire	Linear Length Plan	Total Run Length	Maximum Section Length	LED Color Rendering	LED Color Temperature	Direct LED Output
SQMS	LLP Linear longest possible	__FT	MSL4 4' Section(s)	80CRI 80+ CRI	30K 3000K	400LMF 400 Nominal direct lumens per foot
	LSL Longest same length	Indicate Luminaire Row Length in 4' increments. Ex: 12FT	MSL8 8' Section(s)		35K 3500K	800LMF 800 Nominal direct lumens per foot
					40K 4000K	

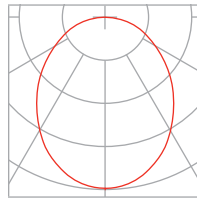
Minimum Dimming Level	Control Input	Voltage	Wiring Option	Emergency Options	Primary Sensor	Secondary Sensor
<b>DARK</b> Constant current, dimming to < 1%	ZT* 0-10V NLIGHT** nLight enabled DALI*** DALI <i>*0-10V will use linear dimming curve ** Will use logarithmic dimming curve ***Not available with sensors ***Will use logarithmic dimming curve</i>	120 120V 277 277V	SCT Single circuit	(Blank) None 1EC (1) Emergency circuit module 2EC (2) Emergency circuit module __EC __ Emergency circuit modules <i>*Emergency type is installed in last 4' of luminaire sections. Separate feed required. ** 4FT MSL4 Individual fixture with EC Consult factory.</i>	(blank) No factory-installed, integrated sensor PDT_ Dual technology occupancy sensor. PIR & microphonics sensor ADC_ Daylight Dimming Sensor APD_ Dual technology PDT and ADC sensor <i>*Available with ZT or nLight only</i>	(blank) No factory-installed, integrated sensor SPDT_ Dual technology occupancy sensor. PIR & microphonics sensor SADC_ Daylight Dimming Sensor SAPD_ Dual technology PDT and ADC sensor <i>*Available with ZT or nLight only</i>

Mounting Type/	Overall Suspension	Color	Options
F1/ T-bar ceiling (universal mounting bracket)	24A 24" adjustable	C032 Gloss white	BLK* Black cord and canopy
F1A/ T-bar ceiling (UMB with integrated J-box)	36A 36" adjustable	C100 Anodized aluminum	CSA** Manufactured to Canadian Standards
F2/ Hard ceiling (horizontal J-box)	48A 48" adjustable	C110 Painted aluminum	CP Chicago Plenum (available with F1A only)
<i>*F1 &amp; F1A Mount uses standard 3 1/2" canopy on feed and 2" canopy on support</i>	72A 72" adjustable	C201 Black (low gloss)	GLR Fast blow
<i>**F2 Mount uses standard 5" canopy on feed and 2" canopy on support</i>	96A 96" adjustable	C099* Custom color	GMF Slow blow
<i>***All feed cords, cord managers and canopies are standard white. They are not painted to match fixture color.</i>	144A 144" adjustable	<i>*C099 for pricing only. Custom color chip needs to be sent in to Customer Care and matched up with our paint department and customer approved before order is entered.</i>	MCS *** Matching canopy at support for aesthetics
	192A 192" adjustable		MCSJ **** Matching canopy for J-box mounting at non-power feed support locations
	240A 240" adjustable		OJB *** Offset J-box at feed
	<i>Measured from ceiling to bottom of luminaire.</i>		SCEP Sculptured end cap
			SLP***** Sloped ceiling
			<i>*Not available with NLIGHT</i>
			<i>**CSA with EC consult factory</i>
			<i>***MCS &amp; OJB cannot be chosen together</i>
			<i>****MCSJ Available with F2 Mount Only</i>
			<i>*****When SLP is chosen need to choose F2 mount and OJB</i>

**PHOTOMETRICS**



**400LMF 80CRI 35K**  
84 lumens per watt  
1629 delivered lumens per 4' section  
100% down



**800LMF 80CRI 35K**  
79 lumens per watt  
3124 delivered lumens per 4' section  
100% down

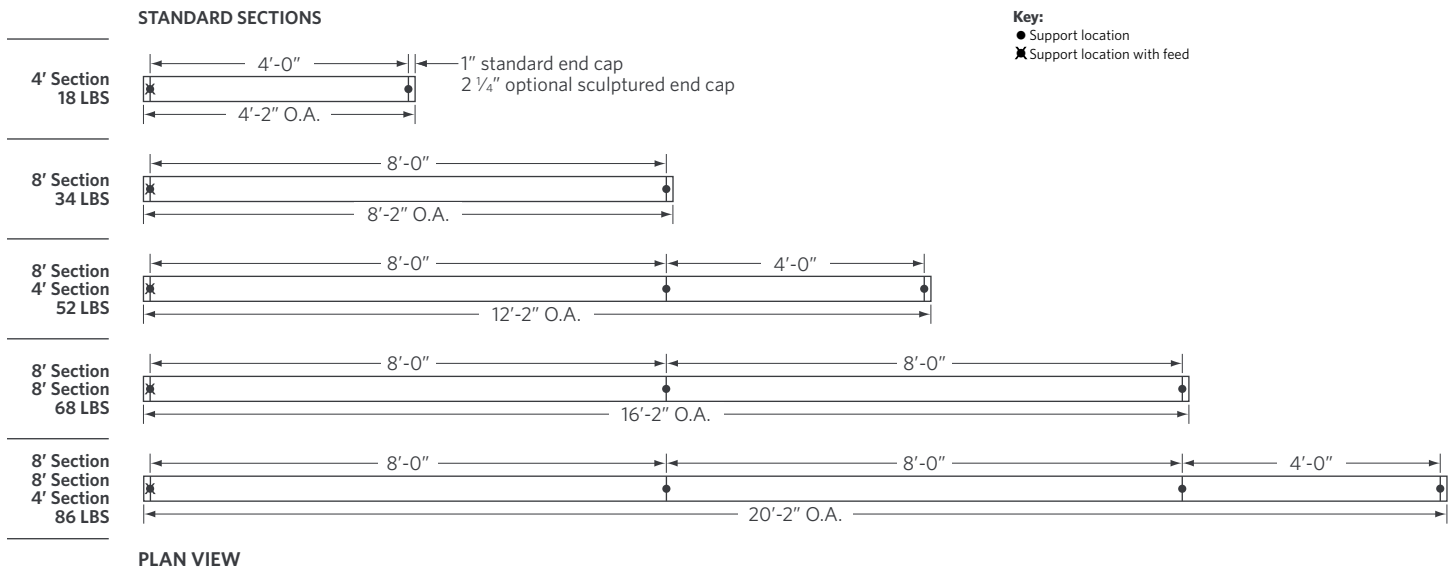
**CONFIGURATIONS**



Square can be configured with special mitered sections to provide seamless corner illumination where two luminaires join together.

**WEIGHTS & SUPPORT SPACING**

Suspension spacing equals section length. Default location shown.

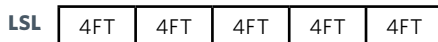


**LINEAR PLAN:**

PEERLESS offers the ability to provide a continuous run plan to suit your requirements by optionally offering three different methods of configuration.

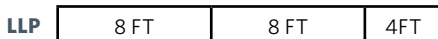
**LSL- Linear Same Length:**

In this configuration, each segment is the same length and is standardized based on the longest length available and is the only option provided. Because it is dependent on one segment length there are mathematical limitations on what overall row lengths can be achieved. Example: 20 FT row would be achieved with 5, 4 FT long segments equaling 20 FT (nominal).



**LLP- Linear Longest Possible**

In this configuration, the longest length available is optimized, resulting in the fewest segments and mounting locations. Caution, should be used where balanced appearance is a concern. Example: 20 FT run would have 2, 8 FT segment and 1, 4 FT segment at the end of the run.





**MOST COMMON MOUNTING TYPES AND OPTIONS** Options available for this specific luminaire are checked in the boxes below.

**Mounting Type**

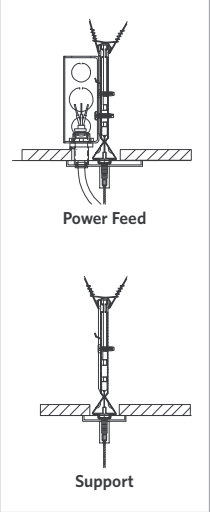
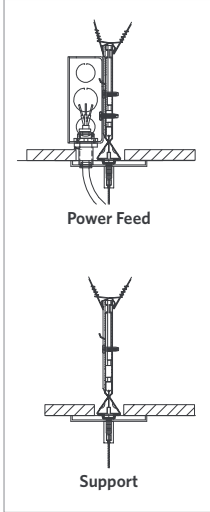
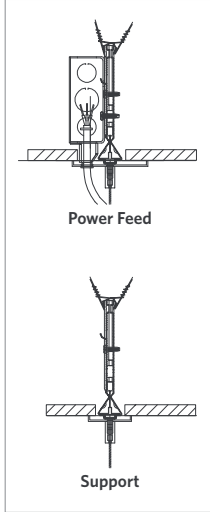
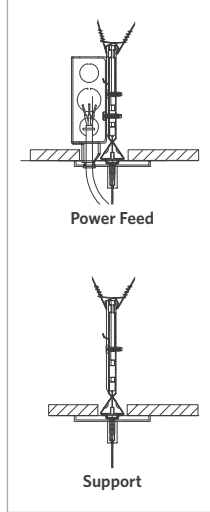
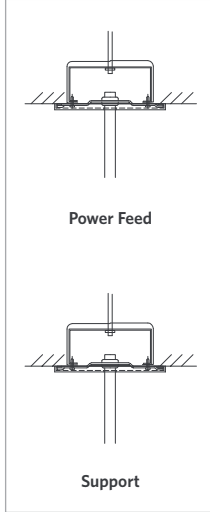
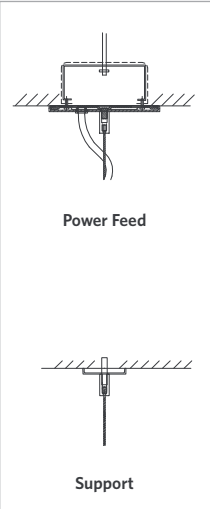
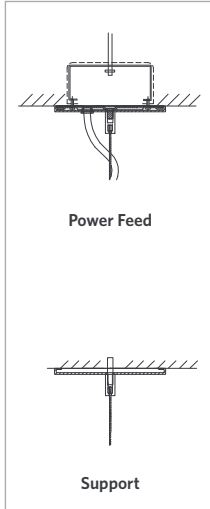
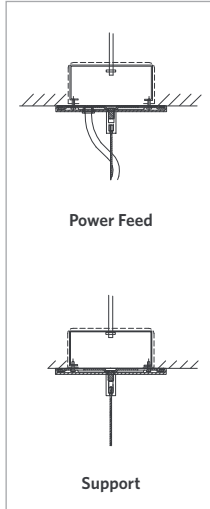
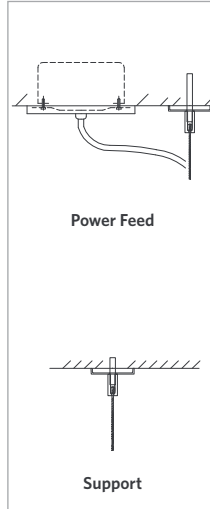
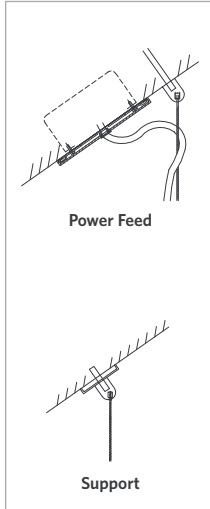
- F1/** For use with most T-Bar and screw slot grid ceilings. Designed for on-grid and off-grid applications.
- F2/** For use with recessed or surface mount horizontal J-box applications.
- F3/** Stem mounting for use with recessed or surface mount horizontal J-box applications. *Check with local jurisdiction regarding rigid stem code requirements.*
- F1A/** For use with most T-Bar and screw slot grid ceilings. Designed for on-grid and off-grid applications. *Comes complete with vertical J-box with built-in wire way. See also CP.*

**Mounting Options**

- MCS** Matching canopy at support for aesthetics.
- MCSJ** Matching canopy for J-box mounting at non-power feed support locations.
- OJB** Offset J-box at feed.
- SLP OJB** Sloped ceiling couplers and offset J-box option at feed.

For more detailed mounting drawings and information, see [peerlesslighting.acuitybrands.com/resources/product-resources](http://peerlesslighting.acuitybrands.com/resources/product-resources)

Indicates mounting options available with this luminaire.

<input checked="" type="checkbox"/> <b>F1/</b>	<input checked="" type="checkbox"/> <b>F1/MCS</b>	<input checked="" type="checkbox"/> <b>F1A/</b>	<input checked="" type="checkbox"/> <b>F1A/MCS</b>	<input type="checkbox"/> <b>F3/</b>
 <p>Power Feed</p> <p>Support</p>	 <p>Power Feed</p> <p>Support</p>	 <p>Power Feed</p> <p>Support</p>	 <p>Power Feed</p> <p>Support</p>	 <p>Power Feed</p> <p>Support</p>
<input checked="" type="checkbox"/> <b>F2/</b>	<input checked="" type="checkbox"/> <b>F2/MCS</b>	<input checked="" type="checkbox"/> <b>F2/MCSJ</b>	<input checked="" type="checkbox"/> <b>F2/OJB</b>	<input checked="" type="checkbox"/> <b>F2/SLP OJB</b>
 <p>Power Feed</p> <p>Support</p>	 <p>Power Feed</p> <p>Support</p>	 <p>Power Feed</p> <p>Support</p>	 <p>Power Feed</p> <p>Support</p>	 <p>Power Feed</p> <p>Support</p>

**INTEGRATED SENSOR OPTIONS**

Control + Sensor Configurations	Control Input	Sensor	Sensor	Notes		
	ZT	+	ADC	=	SensorSwitch NES ADCX	0-10V control Daylight Sensor
	ZT	+	PDT	=	SensorSwitch NES PDT 7	0-10V control Occupancy sensor
	ZT	+	APD	=	SensorSwitch NES PDT 7 ADCX	0-10V control Daylight with Occupancy sensor
	NLIGHT	+	ADC	=	SensorSwitch NES ADCX	nLight control Daylight Sensor
	NLIGHT	+	PDT	=	SensorSwitch NES PDT 7	nLight control Occupancy sensor
	NLIGHT	+	APD	=	SensorSwitch NES PDT 7 ADCX	nLight control Daylight with Occupancy Sensor



Daylight harvesting deactivated by default and field programmed per sequence of operations.

Luminaires specified with nLight system networking ship with one RJ-45 connector integrated into the luminaire, 10' of Cat-5e cable and a splitter to control the entire luminaire row (depending on wattage/voltage limitations). For multiple zones, please contact [TechSupport-Peerless@AcuityBrands.com](mailto:TechSupport-Peerless@AcuityBrands.com).



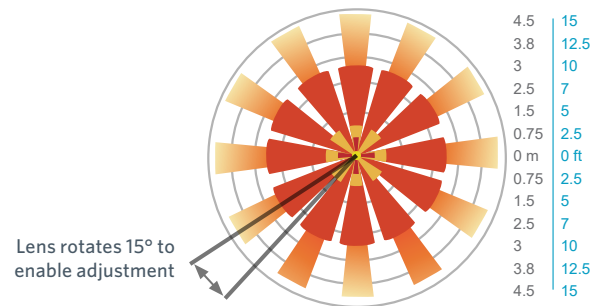
**OCCUPANCY DETECTION COVERAGE**

At the 7.5 ft (2.9 m) hanging height of a typical pendant mount fixture the sensor provides 10 ft (3.05 m) radial detection of small motion. At a 9 ft (2.74 m) hanging height the radius is 12 ft (3.66 m) for small motion.

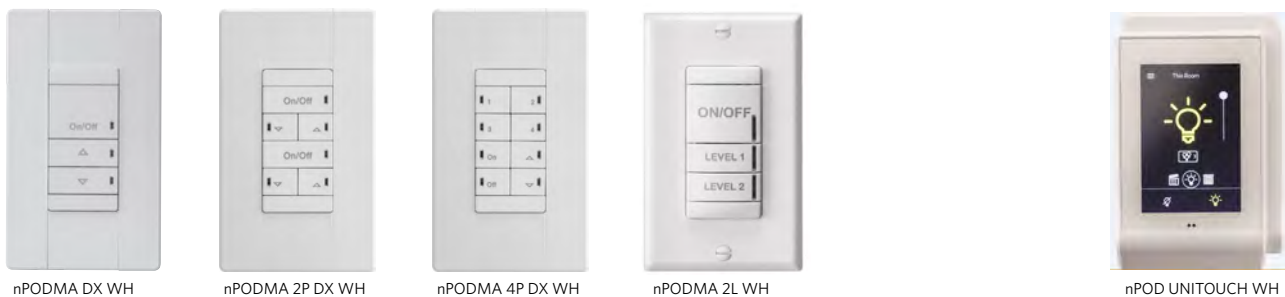
Adequate for walking motion detection from mounting heights between 7.5 ft (2.29 m) and 20 ft (6.10 m).

Initial detection will occur earlier when walking across sensor's field of view than when walking directly at sensor.

Initial detection of walking motion into long coverage segment will occur at distances of 2x the mounting height up to 15 ft (4.57 m) and 1.75x up to 20 ft (6.10 m). Lens assembly rotates 15° to enable adjustment in order to line up long segments.



**COMPATIBLE nLIGHT COMPONENTS WITH INTEGRATED CONTROLS**



[Sensor Switch.com/DataSheets/nPODMA.PDF](http://Sensor Switch.com/DataSheets/nPODMA.PDF)

[Sensor Switch.com/DataSheets/nPOD Unitouch.PDF](http://Sensor Switch.com/DataSheets/nPOD Unitouch.PDF)

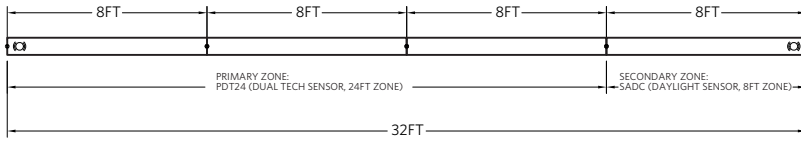
**eldoLED COMPATIBILITY** For compatible dimmers & switches please see the EldoLED compatibility document

[PeerlessLighting.com/eldoLED-compatibility](http://PeerlessLighting.com/eldoLED-compatibility)

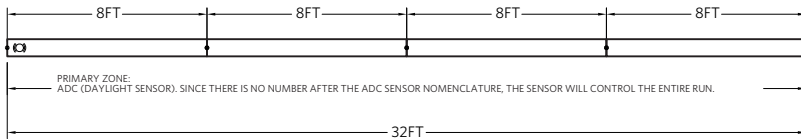
**INTEGRATED SENSOR LAYOUT**

**CORRECT:**

32FT MSL8 RUN WITH 2 SENSORS WITH PRIMARY ZONE 24FT AND SECONDARY ZONE 8FT -- PDT24 SADC8

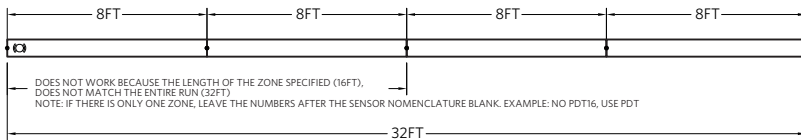


32FT MSL8 RUN WITH 1 SENSOR ALL ONE ZONE -- ADC

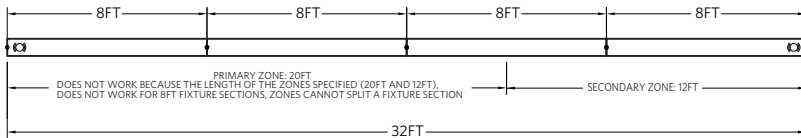


**INCORRECT:**

32FT MSL8 RUN WITH 1 SENSOR ALL ONE ZONE -- PDT16

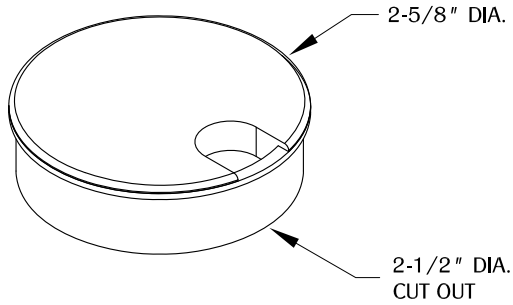


32FT MSL8 RUN WITH 2 SENSORS WITH PRIMARY ZONE 20FT AND SECONDARY ZONE 12FT -- PDT20 SADC12

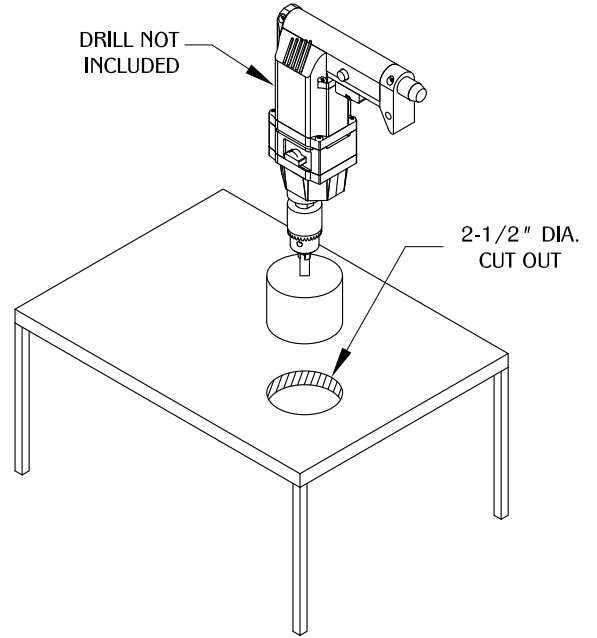


**Notes:**

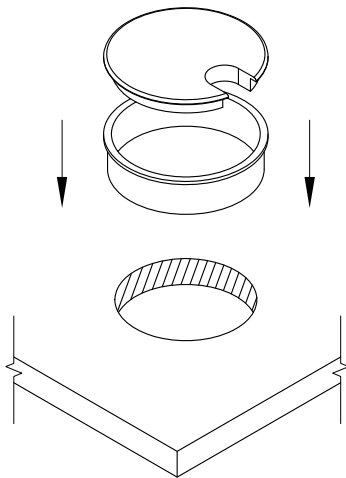
- Only one sensor per zone
- At the most, the entire run can only have 2 sensors (thus 2 sensors zones at the most)
- Sensor zone can not split fixture sections
- No overlapping zones
- One nLight or NLTAIR2 device per zone or per sensor, for multiple zones without sensors contact factory



1




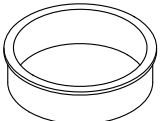
2



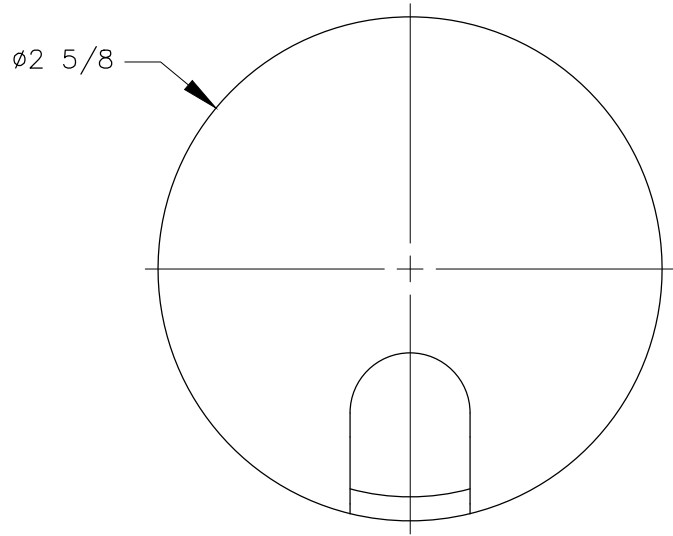
3



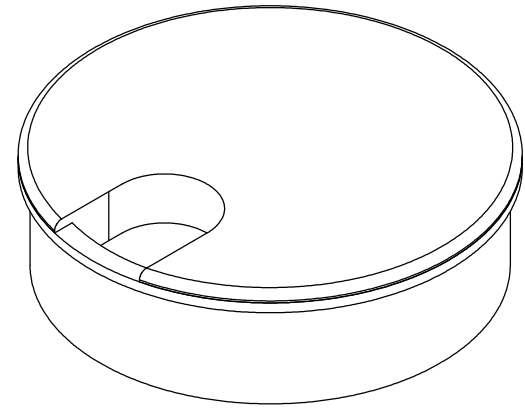
### TABLE OF CONTENTS:

	..... 1 X MM6
	..... 1 X MM6A

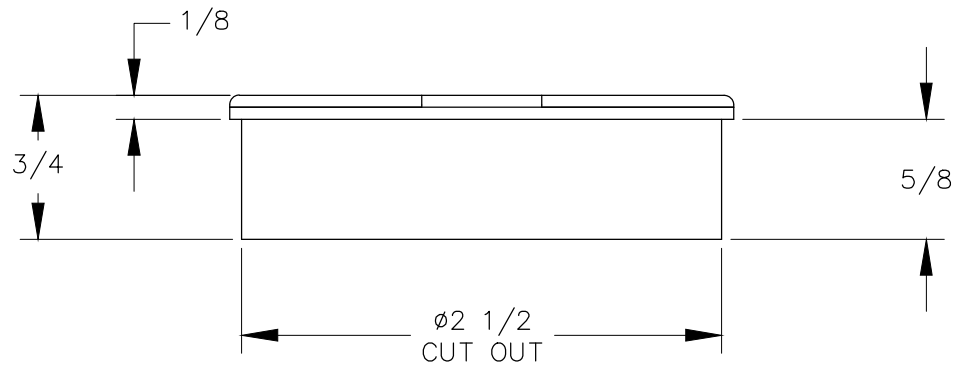
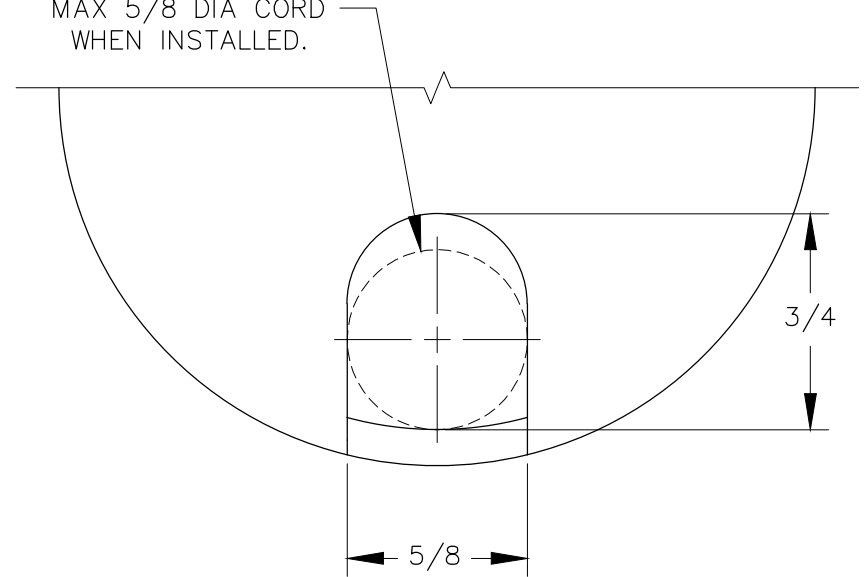
\* ALL DIMENSIONS HAVE A +/- 1/32" TOLERANCE UNLESS OTHERWISE SPECIFIED. WE DO NOT RECOMMEND DRILLING OR CUTTING ANY HOLES BEFORE RECEIVING A PRODUCT OR A PRODUCT SAMPLE. ALL MEASUREMENTS ARE IN INCHES.



TOP VIEW



OPEN SLOT CAN FIT  
MAX 5/8 DIA CORD  
WHEN INSTALLED.



FRONT VIEW

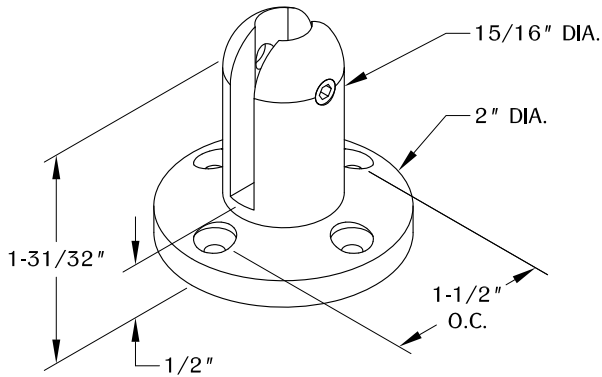
DETAIL



PART #

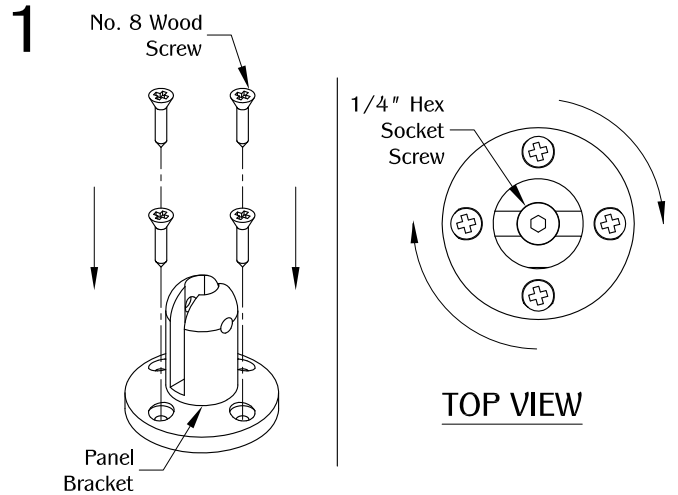
PGRP1A

310.318.2491 • 800.523.1269 • www.mockett.com

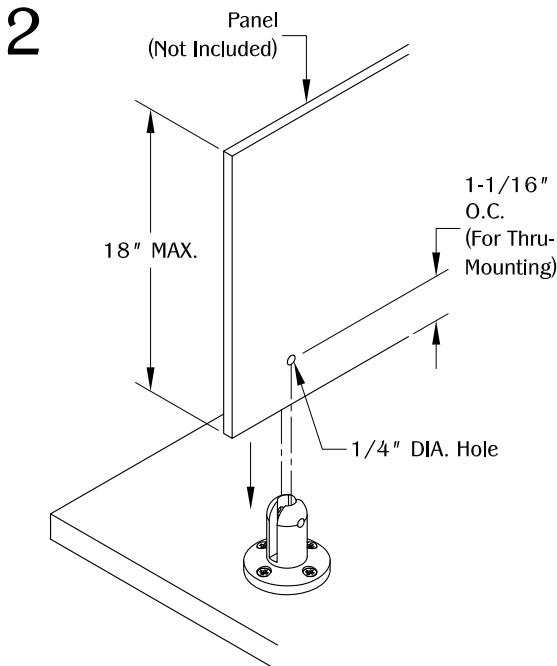


Note:

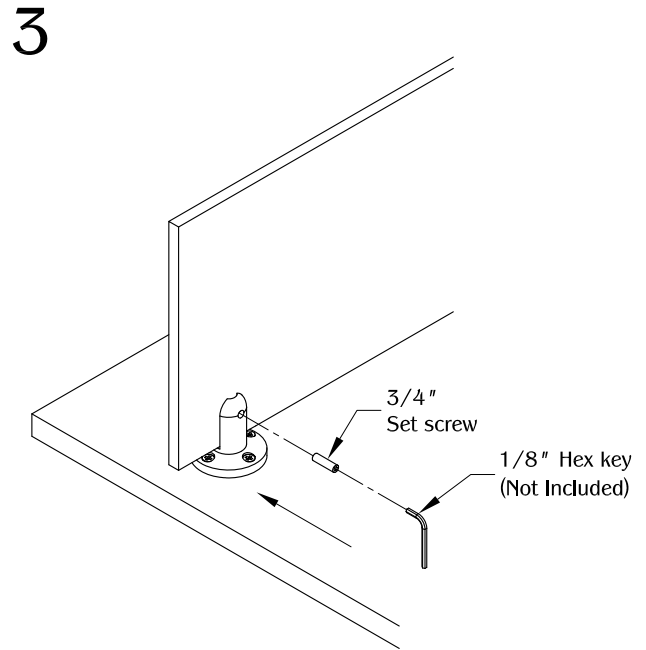
- Recommended part spacing is 24" MAX.
- Panel thickness is 1/4" MAX.
- Maximum panel height is 18" .



Determine the position and location of the part on the work surface. Make sure the PGRP1A is fully leveled onto the surface. Secure by using (4) No. 8 wood screws. (Note: Use a hex key to adjust panel bracket to desired orientation.)



Drill a 1/4" diameter hole at 1-1/16" on center from the bottom of the panel material. Install and align pre-drilled panel hole to the panel bracket.



Secure the panel by using a 1/8" hex key to tighten the 3/4" set screw. (Note: Nylon-tip set screw available for glass panel installation. Sold separately.)

TABLE OF CONTENTS:



.....1X PGRP1A



.....1X 3/4"  
1/4- 20 Thread  
Set Screw



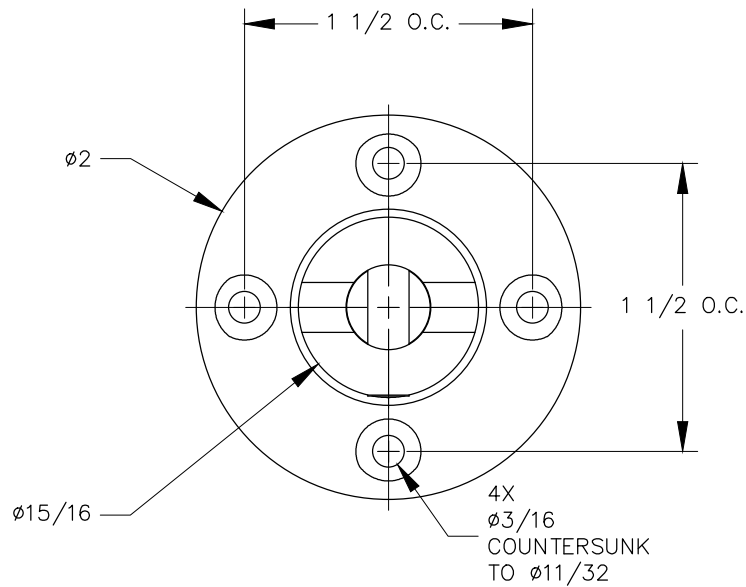
.....1X 5/16"  
1/4- 20 Thread  
Nylon-tip Set Screw  
(OPTIONAL)



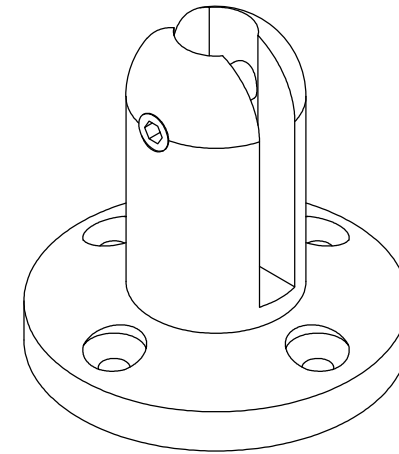
.....1X 1/4"  
5/16- 18 Thread  
Hex socket screw



.....4X 3/4"  
No. 8 Wood Screw

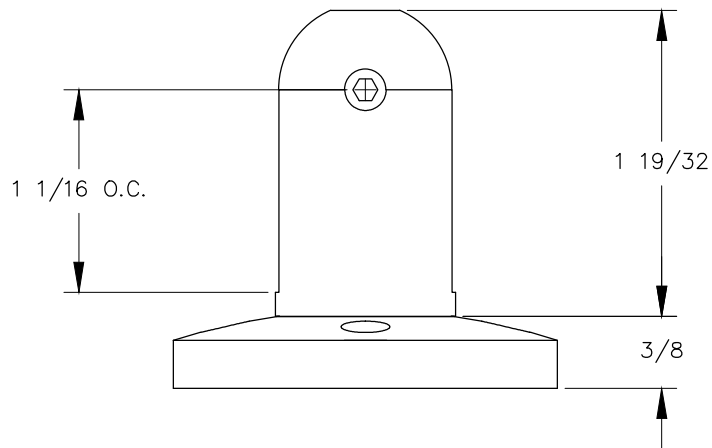


TOP VIEW

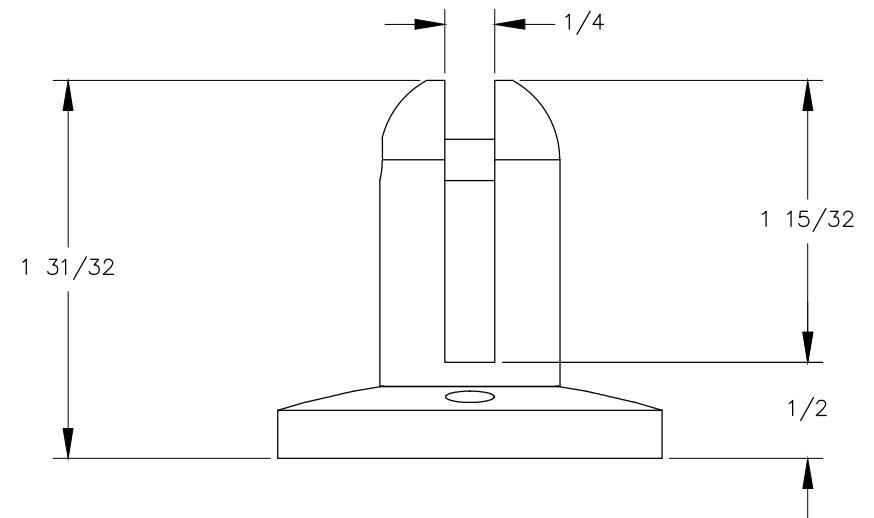


NOTE:

1. Panel thickness is 1/4 MAX.
2. Maximum panel height is 18 in.



FRONT VIEW



RIGHT VIEW

**CODE NUMBER**

3910276

**DESCRIPTION**

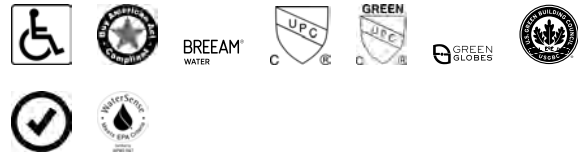
1.28 gpf, Polished Chrome Finish, Fixture Connection Top Spud, Single Flush, Battery, Royal® Exposed Sensor Water Closet Flushometer.

**DETAILS**

- Flush Volume: 1.28 gpf (4.8 Lpf)
- Finish: Polished Chrome (CP)
- Power Type: Battery ( )
- Battery Life: 3 years
- Valve: Diaphragm
- Valve Body Material: Semi-red Brass
- Fixture Type: Water Closet
- Fixture Connection: Top Spud
- Rough-In Dimension: 11 ½" (292mm)
- Spud Coupling: 1 ½" (38mm)
- Supply Pipe: 1" (25mm)

**FEATURES**

- True Mechanical Override Flush Button
- Four (4) size C alkaline batteries included
- "Low Battery" Flashing LED
- "User in View" Flashing LED
- 72-Hour Sentinel Flush
- Sweat solder adapter with cover tube and cast wall flange with set screw
- No External Volume Adjustment to Ensure Water Conservation
- Infrared Sensor with Multiple-focused, Lobular Sensing Fields for high and low target detection
- 1" I.P.S. Screwdriver Bak-Chek® Angle Stop with Free Spinning Vandal Resistant Stop Cap
- Diaphragm, Stop Seat and Vacuum Breaker to be molded from PERMEX® rubber compound for Chloramine resistance


**COMPLIANCES & CERTIFICATIONS**


(ADA Compliant, BAA Compliant, BREEAM Water Credit, cUPC Certified, cUPC Green Certified, Green Globes Water Credit, LEED V4 Water Efficiency Credit, Satisfies LEED Credits, WaterSense Listed)

**RECOMMENDED SPECIFICATION**

Valve Body, Cover, Tailpiece and Control Stop shall be in conformance with ASTM Alloy Classification for Semi- Red Brass. Valve shall be in compliance with the applicable sections of ASSE 1037 and ANSI/ASME 112.19.2.

**ELECTRICAL SPECIFICATIONS**

- Battery Life: 3 years

**VALVE OPERATING PRESSURE (FLOWING)**

15-80 PSI (103-552 kPa). Specific fixtures may require greater minimum flowing pressure - consult manufacturer requirements.

**DOWNLOADS**

- [EBV-500/550-A Installation Instructions](#)
- [EL-700/750-A Installation Instructions](#)
- [Control Stop Repair and Maintenance Guide](#)
- [Flush Connections Flanges Repair and Maintenance Guide](#)
- [Tail Piece Repair and Maintenance Guide](#)
- [Additional Downloads](#)

**NOTES**

All information contained within this document subject to change without notice.

Looking for other variations of the ROYAL 111 SFSM product?  
[View the general spec sheet with all options.](#)

[Find a compatible urinal](#) for this flushometer.

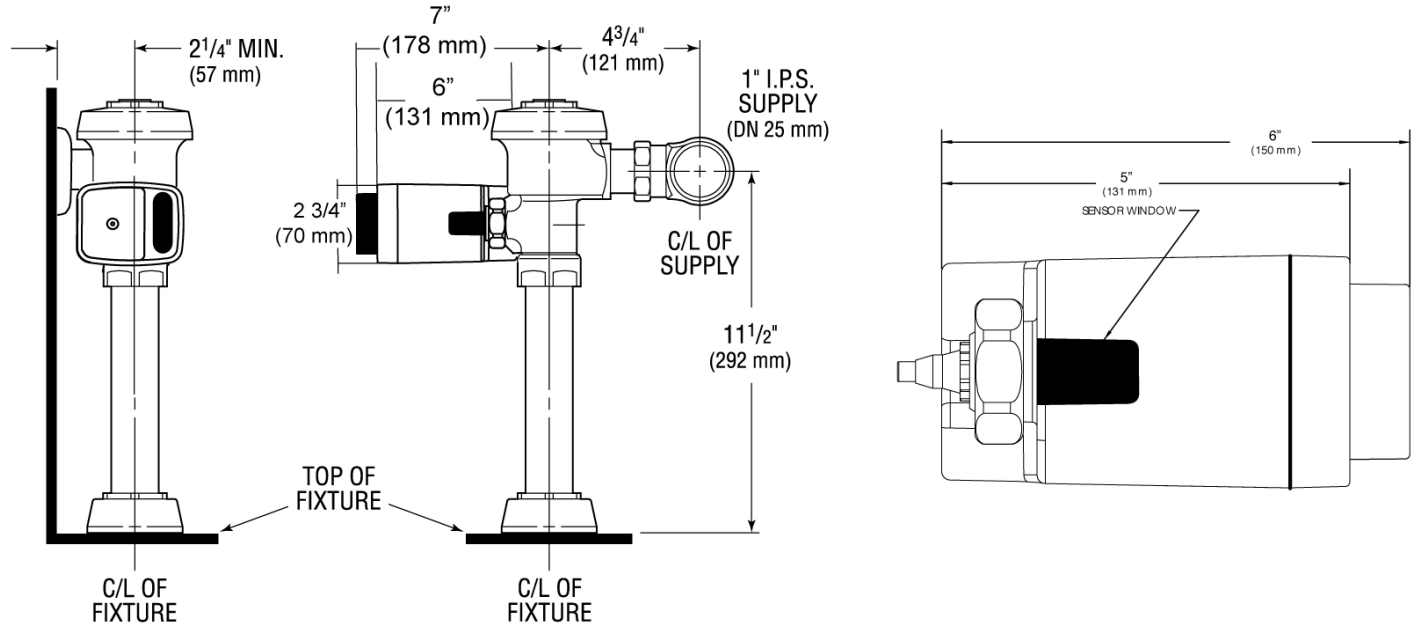
[Find a compatible water closet](#) for this flushometer.

**Sloan 10500 Seymour Ave, Franklin Park, IL 60131**

Phone: 800.982.5839 • Fax: 800.447.8329 • [sloan.com](http://sloan.com)

WaterSense compliant when used with a WaterSense compliant fixture

**ROUGH-IN**



**CODE NUMBER**

3362174

**DESCRIPTION**

Battery Power Supply, Below Deck Manual Mixing Valve, Polished Chrome Finish, 0.35 gpm, Multi-Laminar Spray, Infrared Sensor, Sloan® Battery-Powered Deck-Mounted Mid Integrated Base Body Faucet.

**DETAILS**

- Flow Rate: 0.35 gpm (1 Lpm) (0.35GPM)
- Spray Type: Multi-Laminar (MLM)
- Spout Type: Pedestal ( )
- Sensor Type: Infrared (IR)
- Mounting Type: 4" Centerset ( )
- Power Supply: Battery (BAT)
- Temperature Mixer: Below Deck Manual Mixing Valve (BDM)
- Finish: Polished Chrome (CP)
- Factory Default Timeout: 30s
- Factory Default GPC: 0.175

**FEATURES**

Commercial Grade, ADA Compliant, Electronic, Sensor-Activated, Brass 4 Centerset Hand Washing Faucet with the following features:

- Splash-proof Circuit Control Module
- Adjustable Infrared Sensor Range
- 36" (914 mm) Long Sensor Cable
- 24" (610 mm) Long Flex Hose
- Filtered Solenoid Valve with serviceable Strainer Filter
- Includes Four (4) AA-size Batteries
- Includes appropriate Mounting Hardware

**ELECTRICAL SPECIFICATIONS**

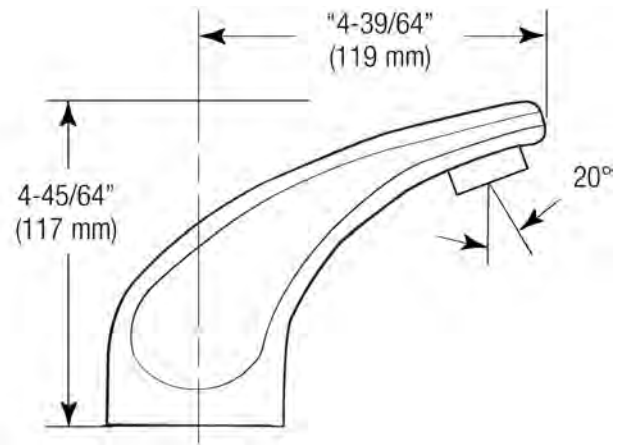
- Battery Life: 2 years 8,000 cycles/month
- Timeout Adjustment Settings: 30s

**VIDEOS**

- ▶ SF-2100/2150/SF-2200/2250/SF-2300/2350/SF-2400/2450 Parts Breakdown
- ▶ SF-2100/2150/SF-2200/2250/SF-2300/2350/SF-2400/2450 Module Replacement
- ▶ SF-2100/2150/SF-2200/2250/SF-2300/2350/SF-2400/2450 Battery Replacement- Sensor Range Adjustment

**DOWNLOADS**

- [SF Series Installation Instructions](#)
- [SF Series \(FR\) Installation Instructions](#)
- [SF Series \(SP\) Installation Instructions](#)
- [SFP 35-A Installation Instructions](#)
- [Trim Plate Guide](#)
- [Sloan 2300/2350 Repair and Maintenance Guide](#)



**COMPLIANCES & CERTIFICATIONS**



(ADA Compliant, ASME A112.18.1 Compliant, BREEAM Water Credit, CalGreen Compliant, CEC Compliant, cUPC Certified, UPC Certified, UPC Low Lead Compliant, cUPC Low Lead Compliant, EPD, Green Globes Water Credit, HPD, NYC604.4, Proposition 65, Satisfies LEED Credits, TAS, WELL Building Standard)

**NOTES**

All information contained within this document subject to change without notice.

Looking for other variations of the SF-2350 product? [View the general spec sheet with all options.](#)

[Find a matching soap dispenser](#) for this faucet.  
[Find a compatible sink](#) for this faucet.

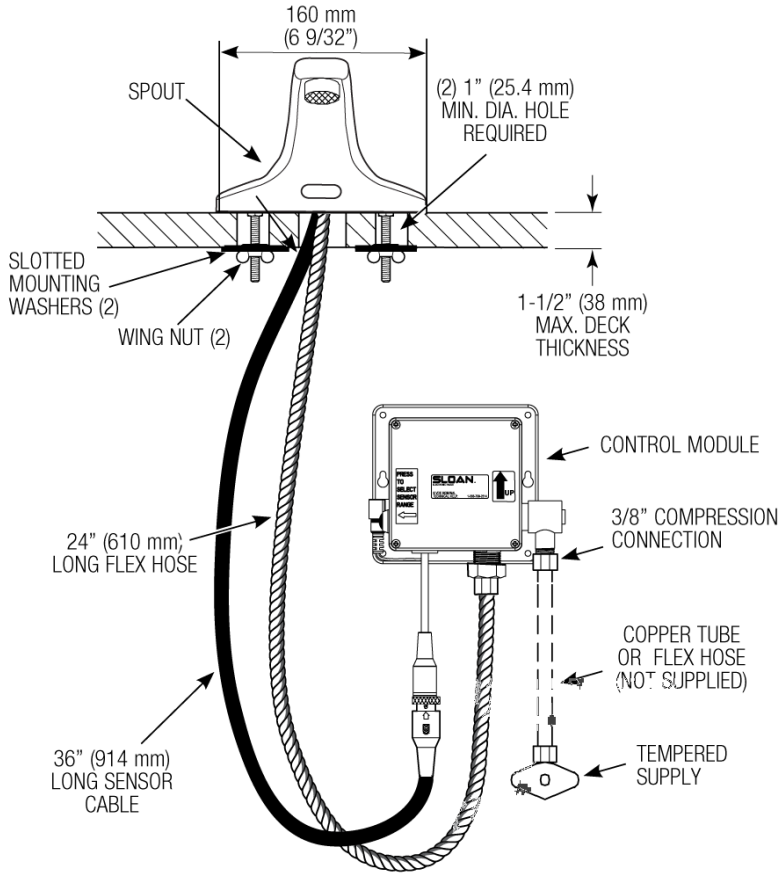


- [Additional Downloads](#)

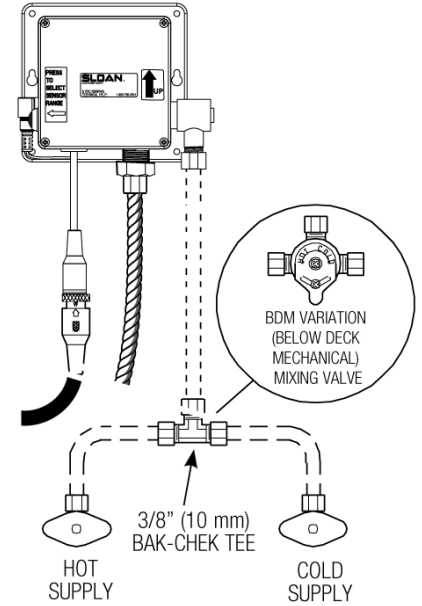
**WARRANTY**

1 Year

**ROUGH-IN**



**HOT AND COLD WATER SUPPLY APPLICATIONS**  
 (SPECIFY IN MODEL VARIATION)



**DIGITAL NAVIGATION**

[Ordering Tree](#) [nLight Platform](#) [Controls](#) [Dimensions](#) [Performance](#)

**FEATURES & SPECIFICATIONS**

**INTENDED USE** — SPX fully-luminous lay-in luminaire with **multiple optics options** is designed to meet the personality of any space. Providing a visually interesting, low glare solution SPX provides performance, configurability, value and style. A typically configured SPX features a **Unified Glare Rating (UGR) starting at 14**. North American manufacturing allows for short lead-times. **Certain airborne contaminants can diminish the integrity of acrylic and/or polycarbonate.** [Click here for Acrylic-Polycarbonate Compatibility table for suitable uses.](#)

**CONSTRUCTION** — Built on a **direct lit platform** the SPX luminaire was designed for durability, depth and elegance. The bezeled frame option features a **0.6" regress** to provide physical depth. MicroPrismatix™ and NanoPrismatix™ low glare lens options create superior visual comfort. The **1.25MM thick optical layer includes 3D optics options (Patents Pending)** that add perceived depth. SPX has a low-profile design to provide increased installation flexibility in restricted plenum spaces. The **.66MM thick back-plate** includes integral T-bar clips for **installation into 9/16" and 15/16" T-grid ceilings** with no additional components. In a **9/16" T-grid ceiling, the bezel frame option allows the bottom of the panel sits flush with tegular ceiling tiles.** **Antimicrobial paint finish available.**

**Integrated Sensor (nLight® Wired Networking):** This sensor is nLight-enabled, meaning it has the ability to communicate over an nLight network. When wired, using CAT-5 cabling, with other nLight-enabled sensors, power packs, or WallPods, an nLight control zone is created. Once linked to a Gateway, directly or via a Bridge, the zone becomes capable of remote status monitoring and control via SensorView software.

**Integrated Smart Sensor (nLight Air Wireless Platform):** The RES7 sensor is nLight AIR enabled, meaning it has the ability to communicate over the wireless nLight control platform. It is available with an automatic dimming photocell, and either a digital PIR or a microphonics (PDT) dual technology occupancy sensor. It pairs to other luminaires and wall switches through our mobile app, CLAIRITY+, which allows for simple sensor adjustment

**Integrated Wireless Sensor (single room control):** Sensor Switch™ VERTEX JOT or JOTVX15 luminaire-embedded occupancy and ambient light sensor allows the luminaire to power off when the space is unoccupied or when enough ambient light is entering the space. See page 7 for more details on the integrated wireless sensor.

**ELECTRICAL** — Long-life LEDs, coupled with a high-efficiency driver, provide superior illumination for extended service life. LEDs feature a **3 step macadam ellipse binning**. 0-10V dimming driver, **dims to 1% or 10%.** **EldoLED and step level dimming drivers are available.** Luminaire surge level protection designed to withstand surge up to 2.0kV. SPX offers 8 different lumen packages ranging from 2000 to 10200 lumens with.

**LISTINGS** — CSA certified to meet US and Canadian standards. Intended for indoor use in ambient temperatures up to 25°C. **Damp location listed. IC rated. IP5X rated. Rated for NSF/ANSI Standard 2 – Light Fixture for Splash Zone and Non Food Zone. Tested in accordance with ISO 14644-1; suitable for ISO Class 5–9 positive and negative pressure clean rooms.**

DesignLights Consortium® (DLC) Premium qualified product and DLC qualified product. Not all versions of this product may be DLC Premium qualified or DLC qualified. Please check the DLC Qualified Products List at [www.designlights.org/QPL](http://www.designlights.org/QPL) to confirm which versions are qualified.

**WARRANTY** — 5-year limited warranty. This is the only warranty provided and no other statements in this specification sheet create any warranty of any kind. All other express and implied warranties are disclaimed. Complete warranty terms located at: [www.acuitybrands.com/support/warranty/terms-and-conditions](http://www.acuitybrands.com/support/warranty/terms-and-conditions)

**Note:** Actual performance may differ as a result of end-user environment and application. All values are design or typical values, measured under laboratory conditions at 25 °C. Specifications subject to change without notice.

UGR varies based on luminaire options and is affected by application dependent parameters. Numbers depicted here are considered "Luminaire-UGR" and/or "Point-UGR" values. To determine a more precise maximum UGR value ("Application-UGR"), a full lighting design layout should be completed with the selected luminaire configuration for each application.

Catalog Number
Notes
Type

**SPX LED**

1'x4', 2'x2', 2'x4'



**NanoPrismatix™ Smooth Low UGR**



**3D Crumple**



**3D Penrose**



**3D Center Basket**



**3D Frame**



**MicroPrismatix™ Micro-Prism Lens**



**Embed nLight controls today. Prepare for tomorrow.**

**Now**



User-friendly install



Enhanced energy savings



Code compliance

**Tomorrow**



Scalability



Space configuration



Future-ready

**A+ Capable Luminaire**

This item is an A+ capable luminaire, which has been designed and tested to provide consistent color appearance and out-of-the-box control compatibility with simple commissioning.

- All configurations of this luminaire meet the Acuity Brands' specification for chromatic consistency
- This luminaire is part of an A+ Certified solution for nLight® control networks when ordered with drivers marked by a **shaded background\***
- This luminaire is part of an A+ Certified solution for nLight control networks, providing advanced control functionality at the luminaire level, when selection includes driver and control options marked by a **shaded background\***

To learn more about A+, visit [www.acuitybrands.com/aplus](http://www.acuitybrands.com/aplus).

\*See ordering tree for details

# SPX LED Luminaire



A+ Capable options indicated by this color background.

## ORDERING INFORMATION

Lead times will vary depending on options selected.

**Example:** SPX 2X2 4000LM 80CRI 35K BFR 3DCB MIN1 MVOLT E10WCP MW NLTAIR2 APDT

Series	Width and Length	Lumens	CRI	Color Temperature	Frame Style	Optics	Minimum Dimming Level
SPX LED Luminaire	1x4 1'x4'	3000LM 3000 Lumens	80CRI 80 CRI	30K 3000K	BFR Bezel Frame	MPL MicroPrismatix™ Micro-Prism <u>Patent Pending</u> WhiteOptics® Optics LUGR NanoPrismatix™ Smooth Low UGR	MIN1 Dims to 1% ‡ MIN10 Dims to 10%
		4000LM 4000 Lumens	90CRI 90 CRI	35K 3500K			
		4800LM 4800 Lumens		40K 4000K			
		6000LM 6000 Lumens		50K 5000K			
		7200LM 7200 Lumens					
	2x2 2'x2'	2000LM 2000 Lumens					3DCP 3D Crumple
		3400LM 3400 Lumens					3DP 3D Penrose
		4000LM 4000 Lumens					3DCB 3D Center Basket
		4800LM 4800 Lumens					3DF 3D Frame
		6000LM 6000 Lumens					
		7200LM 7200 Lumens					
	2x4 2'x4'	3000LM 3000 Lumens					
		4000LM 4000 Lumens					
		4800LM 4800 Lumens					
		6000LM 6000 Lumens					
		7200LM 7200 Lumens					
		10200LM 10200 Lumens					

Dimming ‡	Voltage	Step Level Dimming	Emergency Option	Finish
EZT eldoLED 0-10V Dimming	MVOLT 120-277V	(Blank) None	E10WLCP EM Self-Diagnostic battery pack, 10W Constant Power, CEC compliant ‡	MW Matte White
ZT Generic 0-10V Dimming	120 120V	SLD Step Level Dimming ‡	GTD Generator Transfer Device ‡	MB Matte Black
	277 277V			DNA Natural Aluminium
	347 347V ‡			WH Glossy White
				DWAM Antimicrobial White

NOTE: ‡ indicates option value has ordering restrictions. Please reference the Option Value Ordering Restrictions chart on the next page. Options are sorted alphanumerically.

Ordering continue on next page.

Controls			Options		
Control Input	Sensor				
(blank) No Control Input	(blank) No Sensor or Control Input function only, if selected.		GLR	Fast-blowing fuse ‡	
SSE Sensor Switch Embedded	APIR	Occ sensing with passive infrared - on/off functionality and auto dimming photocell	GMF	Slow-blowing fuse ‡	
	APDT	Occ sensor dual tech (passive infrared & microphonics) and auto dimming photocell	PWS1836	6' pre-wire, 3/8" diameter, 18 gauge, 1 circuit	
	VPIR8	Vertex low-profile on/off occupancy PIR occupancy sensor with VLP programming at 8ft mounting height	PWS1846	6' pre-wire, 3/8" diameter, 18 gauge, 2 circuit	
	VAPIR8	Vertex low-profile on/off occupancy sensor with auto dimming photocell with VLP programming at 8ft mounting height	PWS1846 PWSLV	Two cables: one 6' pre-wire, 3/8" diameter, 18 gauge, 2 circuits; one 6' pre-wire, 3/8" diameter, 18 gauge ‡	
	VPIR15	Vertex low-profile on/off occupancy PIR occupancy sensor with VLP programming at 15ft mounting height	PWS1856LV	6' pre-wire, 3/8" diameter, 18 gauge, 1 circuit w/low voltage wires ‡	
	VAPIR15	Vertex low-profile on/off occupancy sensor with auto dimming photocell with VLP programming at 15ft mounting height	CP	Chicago plenum ‡	
			RRL_	RELOC®-ready luminaire	
		NPLT	Narrow Pallet		
NLIGHT	nLight enabled	(blank) No sensor, Control Input function only	<b>Standby Mode</b> NOC Occupancy Sensor Disabled		
NLIGHTER	nLight enabled, for use with generator supply EM power	PIR			Occ sensing with passive infrared - on/off functionality and auto dimming photocell
NLIGHTLM	nLight enabled with lumen management	PDT			Occ sensor dual tech (passive infrared & microphonics) and auto dimming photocell
NLIGHTERLM	nLight enabled with lumen management, for use with generator supply EM power	APIR			Occ sensing with passive infrared - on/off functionality and auto dimming photocell
		APDT			Occ sensor dual tech (passive infrared & microphonics) and auto dimming photocell
		VPIR8	Vertex low-profile on/off occupancy PIR occupancy sensor with VLP programming at 8ft mounting height		
NLTAIR2	nLight AIR Generation 2 (wireless) enabled ‡	(blank) No sensor, Control Input function only	<b>Standby Mode</b> NOC Occupancy Sensor Disabled		
NLTAIREM2	nLight AIR Generation 2 (wireless) enabled and UL924 Emergency Operation, via power interrupt detection ‡	APIR			Occ sensing with passive infrared - on/off functionality and auto dimming photocell
		APDT			Occ sensor dual tech (passive infrared & microphonics) and auto dimming photocell
		APIREM			Occ sensing with passive infrared - on/off functionality and auto dimming photocell and UL924 Emergency Operation, via power interrupt detection
		APDTEM			Occ sensor dual tech (passive infrared & microphonics) and auto dimming photocell and UL924 Emergency Operation, via power interrupt detection.
		VPIR8	Vertex low-profile on/off occupancy PIR occupancy sensor with VLP programming at 8ft mounting height		
JOT	JOT, "Just One Touch" (wireless) enabled	(blank) No sensor, Control Input function only			
		VAPIR15			Vertex low-profile on/off occupancy sensor with auto dimming photocell with VLP programming at 15ft mounting height

NOTE: ‡ indicates option value has ordering restrictions. Please reference the Option Value Ordering Restrictions chart on the next page. Options are sorted alphabetically.

‡ Option Value Ordering Restrictions	
Option Value	Restriction
MIN1	Required for all Control Input options, excluding JOT.
Dimming	If Control Input option selected leave this section blank.
347	Not available with, SLD, E10WCP, GTD options.
SLD	Not available with combination 1X4 and GTD. Not available with any controls. Must select MIN10. Leave Dimming section blank.
E10WLCP	Not available with 347.
GTD	Not available with 347.
NLTAIR2	See UL924 Sequence of Operation chart on page 4. Can be used as a normal power sensing device for nLight AIR devices and luminaires with EM emergency options.
NLTAIREM2	See UL924 Sequence of Operation Chart on page 4. Leave sensor option blank, not available with APIR, APDT, APIREM, APDTEM or VPIR8
GLR, GMF	Must specify voltage, only available with 120 or 277.
PWS1846 PWSLV, PWS1856LV	Not available with any Control Input option.
CP	Not available with PWS1836, PWS1846, PWS1846 PWSLV or PWS1856LV.

Accessories are on next page.

## ACCESSORIES

Accessories: Order as separate catalog number.	
DGA14	Drywall grid adapter for 1x4 recessed fixture.
DGA22	Drywall grid adapter for 2x2 recessed fixture.
DGA24	Drywall grid adapter for 2x4 recessed fixture.
1x4SMKSH PAF	1'x4' Surface Mount Troffer Kit <sup>1</sup>
2x2SMKSH PAF	2'x2' Surface Mount Troffer Kit <sup>1</sup>
2x4SMKSH PAF	2'x4' Surface Mount Troffer Kit <sup>1</sup>
RK8BDP 2P U	Disconnect Plug (BDP), 2 Pole, Package of 1
RK8BDP 3P U	Disconnect Plug (BDP), 3 Pole, Package of 1
RK8BDP 2P J10	Disconnect Plug (BDP), 2 Pole, Package of 10
RK8BDP 2P J40	Disconnect Plug (BDP), 2 Pole, Package of 40
DLTLATC J4	Earthquake Clip, 1 set of 4
DLTLATC J40	Earthquake Clip, 10 sets of 4
DLTLATC J80	Earthquake Clip, 20 sets of 4

Notes:

- Cannot be installed with fixture with integrated NLTAIR2 Options.

Emergency Battery Estimated Lumens
Use the formula below to estimate the delivered lumens in emergency mode <b>Estimated Lumens = 1.25 x P x LPW</b> <b>P</b> = Output power of emergency driver (10W for E10WCP option.) <b>LPW</b> = Lumen per watt rating of the luminaire.

UL924 Sequence of Operation
The below information applies to all nLight AIR devices with an EM option.
<ul style="list-style-type: none"> <li>EM devices will remain at their high-end trim and ignore wireless lighting control commands, unless a normal-power-sensed (NPS) broadcast is received at least every 8 seconds.</li> <li>Using the CLAIRITY+ mobile app, EM devices must be associated with a group that includes a normal power sensing device to receive NPS broadcasts.</li> <li>Only non-emergency rPP20, rLSXR, rSBOR, rSDGR, and nLight AIR luminaires with version 3.4 or later firmware can provide normal power sensing for EM devices. See specification sheets for control devices and luminaires for more information on options that support normal power sensing.</li> </ul>

## Emergency Battery Pack Options - Field Installable

Battery Model Number	Wattage	Runtime (Minutes)	Lumen Output* @ 120 Lumens/Watt	Other
ILB CP07 2H A	7W	120	840	Storm Shelter / 2 Hour Runtime
ILB CP10 A	10W	90	1200	
ILBLP CP10 HE SD A	10W	90	1200	Title 20, Self Diagnostic
ILBLP CP15 HE SD A	15W	90	1800	Title 20, Self Diagnostic
ILB CP20 HE A	20W	90	2400	Title 20
ILB CP20 HE SD A	20W	90	2400	Title 20, Self Diagnostic

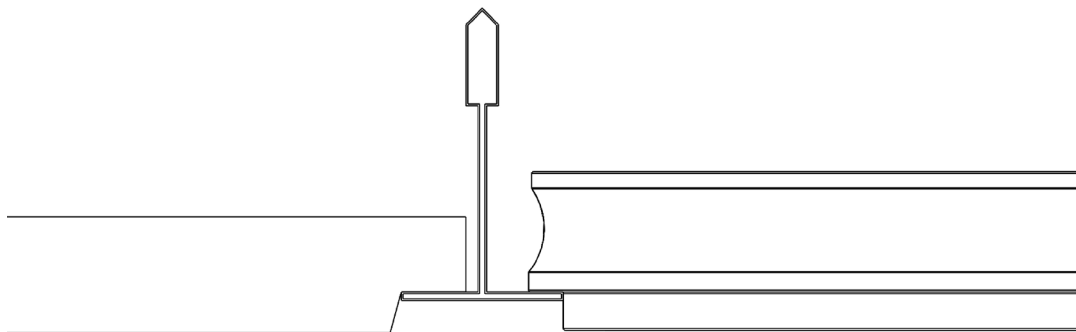
All the above are UL Listed products that are certified for field install external/remote to the fixture.

\*Minimum delivered lumen output to assist in product selection for increased fixture mounting height.

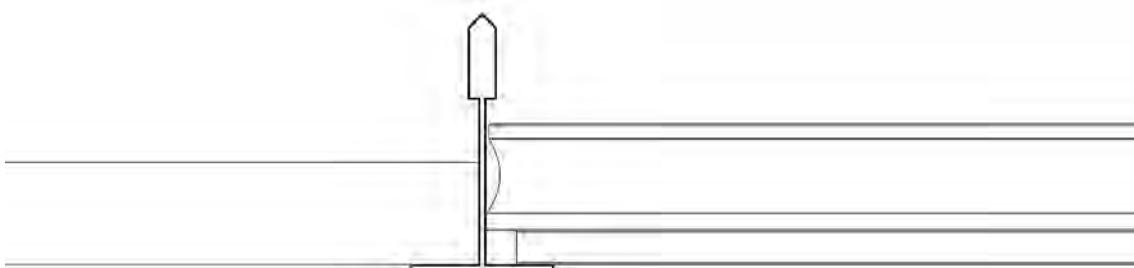
The CP10 delivered emergency illumination outperforms legacy 1400 lumen fluorescent emergency ballast.

Please contact us at [techsupport@iotaengineering.com](mailto:techsupport@iotaengineering.com) for any Emergency Battery related questions.

### Bezel Frame Integrated into 9/16" Tegular Ceiling for Minimized Grid Appearance



### Bezel Frame Integrated into 15/16" Ceiling





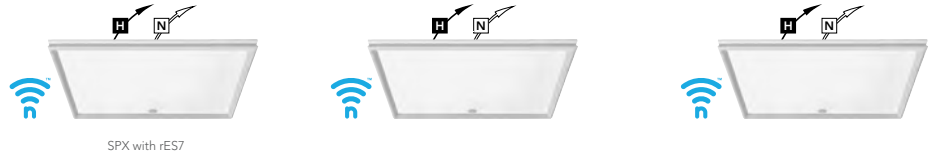
Intelligent Luminaire Technology Guide

Choose nomenclature from these columns

Control/ Sensor Configurations	Control Input	Sensor	Sensor	Notes	Previous Nomenclature
		SSE	+ APIR	= MSD 7 ADCX	Individual fixture control only. PIR integral occupancy sensor with automatic dimming control photocell.
	SSE	+ APDT	= MSD PDT 7 ADCX	Individual fixture control only. PDT integral occupancy sensor with automatic dimming control photocell.	MSDPDT7ADCX
	SSE	+ VPIR8	= VERTEX 8F EZ OCC VLP	Vertex low-profile on/off occupancy PIR occupancy sensor with VLP programming at 8ft mounting height.	VTX8FOCC
	SSE	+ VAPIR8	= VERTEX 8F EZ ADC VLP	Vertex low-profile on/off occupancy sensor with auto dimming photocell with VLP programming at 8ft mounting height.	VTX8FADC
	SSE	+ VPIR15	= VERTEX 15F EZ OCC VLP	Vertex low-profile on/off occupancy PIR occupancy sensor with VLP programming at 15ft mounting height.	VTX15FOCC
	SSE	+ VAPIR15	= VERTEX 15F EZ ADC VLP	Vertex low-profile on/off occupancy sensor with auto dimming photocell with VLP programming at 15ft mounting height.	VTX15FADC
	JOT	+ (blank)	= BTRM JOT BTA	Wireless room control with "Just One Touch" pairing.	JOT
	JOT	+ VAPIR15	= BTRM JOT BTA + VERTEX 15F EZ ADC VLP GSKT	Wireless room control with "Just One Touch" pairing.	JOTVTX15
	NLIGHT	+ (blank)	= nIO EZ PH	nLight enabled only. No onboard sensor.	NLIGHT
	NLIGHT	+ PIR	= nIO EZ PH + nES 7	nLight enabled with PIR integral occupancy sensor.	NLIGHT NES7
	NLIGHT	+ PDT	= nIO EZ PH + nES PDT 7	nLight enabled with dual technology occupancy control sensor.	NLIGHT NESPDT7
	NLIGHT	+ APIR	= nIO EZ PH + nES 7 ADCX	nLight enabled with PIR integral occupancy sensor with automatic dimming photocell.	NLIGHT NES7ADCX
	NLIGHT	+ APDT	= nIO EZ PH + nES PDT 7 ADCX	nLight enabled with dual technology occupancy controls sensor with automatic dimming photocell.	NLIGHT NESPDT7ADCX
	NLIGHT	+ VPIR8	= NIO EZ PH + VERTEX 8F EZ OCC VLP	nLight enabled with Vertex low-profile on/off occupancy PIR occupancy sensor with VLP programming at 8ft mounting height.	NLIGHT NVTX8FOCC
	NLIGHTER	+ (blank)	= nIO EZ PH ER	Emergency nLight enabled only. No onboard sensor.	NLIGHT EMG
	NLIGHTER	+ PIR	= nIO EZ PH ER + nES 7	Emergency nLight enabled with PIR integral occupancy sensor.	NLIGHT EMG NESPDT7
	NLIGHTER	+ PDT	= nIO EZ PH ER + nES PDT 7	Emergency nLight enabled with dual technology occupancy control sensor.	NLIGHT EMG NES7ADC
	NLIGHTER	+ APIR	= nIO EZ PH ER + nES 7 ADCX	Emergency nLight enabled with PIR integral occupancy sensor with automatic dimming photocell.	NLIGHT EMG NES7ADCX
	NLIGHTER	+ APDT	= nIO EZ PH ER + nES PDT 7 ADCX	Emergency nLight enabled with dual technology occupancy controls sensor with automatic dimming photocell.	NLIGHT EMG NESPDT7ADCX
	NLIGHTLM	+ (blank)	= nIO EZ PH N80	nLight enabled only with 80% constant lumen management. No onboard sensor.	NLIGHT CL80
	NLIGHTLM	+ PIR	= nIO EZ PH N80 + nES 7	nLight enabled with 80% constant lumen management with PIR integral occupancy sensor.	NLIGHT CL80 NES7
	NLIGHTLM	+ PDT	= nIO EZ PH N80 + nES PDT 7	nLight enabled with 80% constant lumen management with dual technology occupancy control sensor.	NLIGHT CL80 NESPDT7
	NLIGHTLM	+ APIR	= nIO EZ PH N80 + nES 7 ADCX	nLight enabled with 80% constant lumen management with PIR integral occupancy sensor with automatic dimming photocell.	NLIGHT CL80 NES7ADCX
	NLIGHTLM	+ APDT	= nIO EZ PH N80 + nES PDT 7 ADCX	nLight enabled with 80% constant lumen management with dual technology occupancy controls sensor with automatic dimming photocell.	NLIGHT CL80 NESPDT7ADCX
	NLIGHTLMER	+ (blank)	= nIO EZ PH ER N80	Emergency nLight enabled only with 80% constant lumen management. No onboard sensor.	NLIGHT EMG CL80
	NLIGHTLMER	+ PIR	= nIO EZ PH ER N80 + nES 7	Emergency nLight enabled with 80% constant lumen management with PIR integral occupancy sensor.	NLIGHT EMG CL80 NES7
	NLIGHTLMER	+ PDT	= nIO EZ PH ER N80 + nES PDT 7	Emergency nLight enabled with 80% constant lumen management with dual technology occupancy control sensor.	NLIGHT EMG CL80 NESPDT7
	NLIGHTLMER	+ APIR	= nIO EZ PH ER N80 + nES 7 ADCX	Emergency nLight enabled with 80% constant lumen management with PIR integral occupancy sensor with automatic dimming photocell.	NLIGHT EMG CL80 NES7ADCX
	NLIGHTLMER	+ APDT	= nIO EZ PH ER N80 + nES PDT 7 ADCX	Emergency nLight enabled with 80% constant lumen management with dual technology occupancy controls sensor with automatic dimming photocell.	NLIGHT EMG CL80 NESPDT7ADCX
	NLTAIR2	+ (blank)	= RIO EZ PH 180D G2	nLight AIR Generation 2 enabled.	NLTAIR2 RIO
	NLTAIREM2	+ (blank)	= RIO EZ PH ER 180D G2	nLight AIR Generation 2 enabled	NLTAIR2 RIOEM
	NLTAIR2	+ APIR	= RES7 G2	nLight AIR Generation 2 enabled.	NLTAIR2 RES7
	NLTAIR2	+ APDT	= RES7 PDT 90D G2	nLight AIR Generation 2 enabled.	NLTAIR2 RES7PDT
	NLTAIR2	+ APIREM	= RES7 EM 90D G2	nLight AIR Generation 2 enabled.	NLTAIR2 RES7EM
	NLTAIR2	+ APDTEM	= RES7 PDT EM 90D G2	nLight AIR Generation 2 enabled.	NLTAIR2 RES7PDTEM
	NLTAIR2	+ VPIR8	= RIO EZDL EXTDB ACWH 90D G2 + VERTEX 8F EZ OCC VLP	nLight AIR Generation 2 enabled. Vertex low-profile on/off occupancy PIR occupancy sensor with VLP programming at 8ft mounting height.	NLTAIR2 RVT8FOCC

## nLight Platform

### nLight AIR Wireless



Simple as 1,2,3

1. Install the nLight® AIR fixtures with embedded smart sensor
2. Install the wireless battery-powered wall switch
3. With the CLAIRITY+ Pro app, pair the fixtures with the wall switch and if desired, customize the sensor settings for the desired outcome



### nLight Wired Networking



Simple as 1,2,3

1. Install the nLight® Wired fixtures with embedded control
2. Install the nLight Wired wall switch
3. Connect the fixtures using standard CAT5e cables and the devices will automatically discover each other and work (plug and play)



nLight embedded fixtures offer:	Customers get:
Manual Dimming	Convenience and visual comfort for occupants
Motion Sensing and/or Daylight Harvesting	Energy savings and code compliance
Fixture or Group Level Control	Ability to configure lighting to the space requirements
Flexibility	Ease of fixture moves, adds and changes
Wireless Wall Switch (nLight AIR Only)	Ease and flexibility of placement
Astronomical and Time of Day Scheduling	Energy savings and building security
Scalable Solution	nLight controls to grow with your business
Future-Ready	nLight platform to set foundation for future upgrades and capabilities

## Controls Accessories

nLight® Wired Control Accessories:		nLight® AIR Control Accessories:	
Order as separate catalog number. Visit <a href="http://www.acuitybrands.com/products/controls/nlight">www.acuitybrands.com/products/controls/nlight</a> .			
<b>WallPod stations</b>	<b>Model number</b>	<b>Occupancy sensors</b>	<b>Model number</b>
On/Off	nPODMA [Color]	Small motion 360°, ceiling (PIR / dual tech)	nCM 9 RJB / nCM PDT 9 RJB
On/Off & raise/lower	nPODMA DX [Color]	Large motion 360°, ceiling (PIR / dual tech)	nCM10 RJB / nCM PDT 10 RJB
Graphic touchscreen	nPOD TOUCH [Color]	Wall switch with raise/lower	nWSX PDT LV DX [color]
<b>Photocell controls</b>	<b>Model number</b>	<b>Cat-5 cable (plenum rated)</b>	<b>Model number</b>
Full range dimming	nCM ADCX RJB	10' cable	CAT5 10FT J1
		30' cable	CAT5 30FT J1
		<b>Wall switches</b>	<b>Model number</b>
		On/Off single pole	rPODBA [color] G2
		On/Off two pole	rPODB A2P [color] G2
		On/Off & raise/lower single pole	rPODBA DX [color] G2
		On/Off & raise/lower two pole	rPODBA 2P DX [color] G2



Sensor Switch  
WSXA D



nLight WIRED  
NPOD UNITOUCH

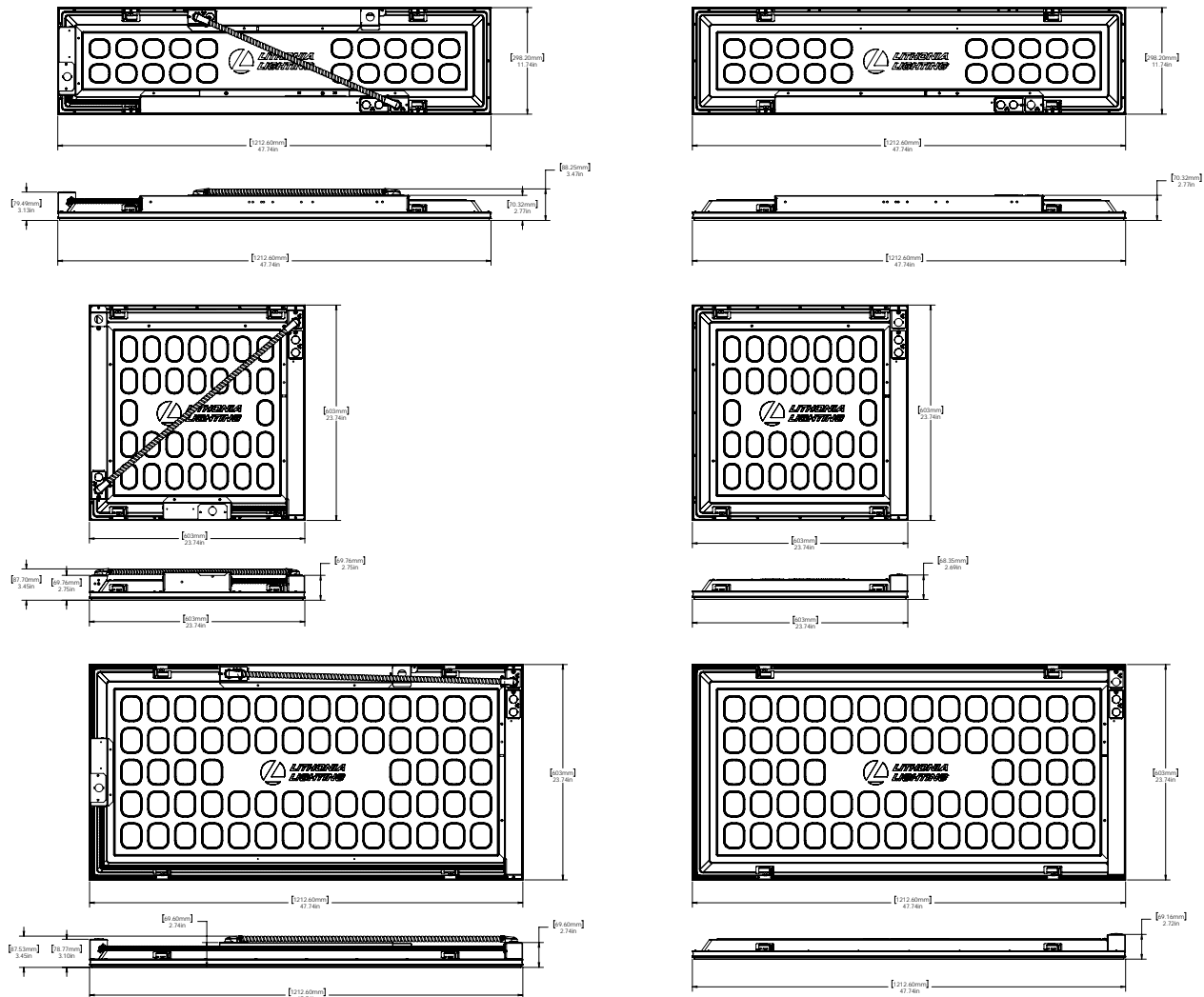


nLight WIRED  
nPODMA DX



nLight AIR  
rPODBA

## DIMENSIONS



## Optical Performance

UGR Values of SPX 1x4 @ <b>80CRI</b> and 3500K (70% 50% 20% reflectance using a 4H x 8H room size)												
Lumen Package	MicroPrismatix™ MPL		NanoPrismatix™ LUGR		3D Center Basket 3DCB		3D Crumple 3DCP		3D Frame 3DF		3D Pensrose 3DP	
	Crosswise	Endwise	Crosswise	Endwise	Crosswise	Endwise	Crosswise	Endwise	Crosswise	Endwise	Crosswise	Endwise
3000LM	17.9	18.2	17.6	17.7	19.7	20.3	19.8	19.8	19.9	20	20.9	21.4
4000LM	18.8	19.2	18.5	18.6	20.7	21.3	20.8	20.8	20.9	20.9	21.8	22.3
4800LM	19.4	19.7	19.1	19.2	21.2	21.8	21.3	21.3	21.4	21.5	22.4	22.9
6000LM	20.2	20.5	19.9	20	22	22.6	22.1	22.1	22.2	22.3	23.2	23.7
7200LM	20.8	21.2	20.5	20.6	22.6	23.2	22.8	22.8	22.8	22.9	23.8	24.3

\*UGR varies based on luminaire options and is affected by application dependent parameters. Numbers depicted here are considered "Luminaire-UGR and/or "Point-UGR" values. To determine a more precise maximum UGR value ("Application-UGR"), a full lighting design layout should be completed with the selected luminaire configuration for each application.

UGR Values of SPX 1x4 @ <b>90CRI</b> and 3500K (70% 50% 20% reflectance using a 4H x 8H room size)												
Lumen Package	MicroPrismatix™ MPL		NanoPrismatix™ LUGR		3D Center Basket 3DCB		3D Crumple 3DCP		3D Frame 3DF		3D Pensrose 3DP	
	Crosswise	Endwise	Crosswise	Endwise	Crosswise	Endwise	Crosswise	Endwise	Crosswise	Endwise	Crosswise	Endwise
3000LM	17.3	17.6	17	17.1	19.1	19.7	19.2	19.2	19.3	19.4	20.3	20.8
4000LM	18.2	18.6	17.9	18	20.1	20.7	20.2	20.2	20.3	20.3	21.2	21.7
4800LM	18.8	19.1	18.5	18.6	20.6	21.2	20.7	20.7	20.8	20.9	21.8	22.3
6000LM	19.6	19.9	19.3	19.4	21.4	22	21.5	21.5	21.6	21.7	22.6	23.1
7200LM	20.2	20.6	19.9	20	22	22.6	22.2	22.2	22.2	22.3	23.2	23.7

\*UGR varies based on luminaire options and is affected by application dependent parameters. Numbers depicted here are considered "Luminaire-UGR and/or "Point-UGR" values. To determine a more precise maximum UGR value ("Application-UGR"), a full lighting design layout should be completed with the selected luminaire configuration for each application.

UGR Values of SPX 2X2 @ <b>80CRI</b> and 3500K (70% 50% 20% reflectance using a 4H x 8H room size)												
Lumen Package	MicroPrismatix™ MPL		NanoPrismatix™ LUGR		3D Center Basket 3DCB		3D Crumple 3DCP		3D Frame 3DF		3D Pensrose 3DP	
	Crosswise	Endwise	Crosswise	Endwise	Crosswise	Endwise	Crosswise	Endwise	Crosswise	Endwise	Crosswise	Endwise
2000LM	16.3	16.7	16	16.1	18.1	18.7	18.3	18.3	18.3	18.4	19.3	19.8
3400LM	18	18.4	17.7	17.8	19.8	20.4	20	20	20	20.1	21	21.5
4000LM	18.6	19	18.3	18.4	20.3	20.9	20.6	20.6	20.6	20.7	21.6	22.1
4800LM	19.3	19.6	19	19.1	21	21.6	21.3	21.2	21.3	21.4	22.3	22.8
6000LM	20	20.3	19.7	19.7	21.7	22.3	21.9	21.9	21.9	22	23	23.4
7200LM	20.8	21.1	20.5	20.6	22.5	23.1	22.7	22.7	22.8	22.8	23.8	24.2

\*UGR varies based on luminaire options and is affected by application dependent parameters. Numbers depicted here are considered "Luminaire-UGR and/or "Point-UGR" values. To determine a more precise maximum UGR value ("Application-UGR"), a full lighting design layout should be completed with the selected luminaire configuration for each application.

UGR Values of SPX 2X2 @ <b>90CRI</b> and 3500K (70% 50% 20% reflectance using a 4H x 8H room size)												
Lumen Package	MicroPrismatix™ MPL		NanoPrismatix™ LUGR		3D Center Basket 3DCB		3D Crumple 3DCP		3D Frame 3DF		3D Pensrose 3DP	
	Crosswise	Endwise	Crosswise	Endwise	Crosswise	Endwise	Crosswise	Endwise	Crosswise	Endwise	Crosswise	Endwise
2000LM	15.7	16.1	15.4	15.5	17.5	18.1	17.7	17.7	17.7	17.8	18.7	19.2
3400LM	17.4	17.8	17.1	17.2	19.2	19.8	19.4	19.4	19.4	19.5	20.4	20.9
4000LM	18	18.4	17.7	17.8	19.7	20.3	20	20	20	20.1	21.5	21.5
4800LM	18.7	19	18.4	18.5	20.4	21	20.7	20.6	20.7	20.8	21.7	22.2
6000LM	19.4	19.7	19.1	19.1	21.1	21.7	21.3	21.3	21.3	21.4	22.4	22.8
7200LM	20.2	20.5	19.9	20	21.9	22.5	22.1	22.1	22.2	22.2	23.2	23.6

\*UGR varies based on luminaire options and is affected by application dependent parameters. Numbers depicted here are considered "Luminaire-UGR and/or "Point-UGR" values. To determine a more precise maximum UGR value ("Application-UGR"), a full lighting design layout should be completed with the selected luminaire configuration for each application.

## Optical Performance

UGR Values of SPX 2X4 @ <b>80CRI</b> and 3500K (70% 50% 20% reflectance using a 4H x 8H room size)												
Lumen Package	MicroPrismatix™ MPL		NanoPrismatix™ LUGR		3D Center Basket 3DCB		3D Crumple 3DCP		3D Frame 3DF		3D Pensorse 3DP	
	Crosswise	Endwise	Crosswise	Endwise	Crosswise	Endwise	Crosswise	Endwise	Crosswise	Endwise	Crosswise	Endwise
3000LM	15.1	15.4	14.5	14.9	16.9	17.5	17	17	17.1	17.2	18.1	18.6
4000LM	16	16.4	15.7	15.8	17.8	18.4	18	18	18	18.1	19	19.5
4800LM	16.7	17.1	16.5	16.5	18.5	19.2	18.7	18.7	18.8	18.8	19.7	20.2
6000LM	17.5	17.9	17.3	17.3	19.3	20	19.5	19.5	19.6	19.6	20.5	21
7200LM	18.1	18.4	17.8	17.8	19.9	20.5	20	20	20.1	20.2	21.1	21.5
8500LM	18.6	19	18.4	18.4	20.5	21.1	20.6	20.6	20.7	20.8	21.6	22.1
10200LM	19.3	19.6	19	19.1	21.1	21.7	21.2	21.2	21.3	21.4	22.3	22.7

\*UGR varies based on luminaire options and is affected by application dependent parameters. Numbers depicted here are considered "Luminaire-UGR and/or "Point-UGR" values. To determine a more precise maximum UGR value ("Application-UGR"), a full lighting design layout should be completed with the selected luminaire configuration for each application.

UGR Values of SPX 2X4 @ <b>90CRI</b> and 3500K (70% 50% 20% reflectance using a 4H x 8H room size)												
Lumen Package	MicroPrismatix™ MPL		NanoPrismatix™ LUGR		3D Center Basket 3DCB		3D Crumple 3DCP		3D Frame 3DF		3D Pensorse 3DP	
	Crosswise	Endwise	Crosswise	Endwise	Crosswise	Endwise	Crosswise	Endwise	Crosswise	Endwise	Crosswise	Endwise
3000LM	14.5	14.8	14.2	14.3	16.3	16.9	16.4	16.4	16.5	16.6	17.5	18
4000LM	15.4	15.8	15.1	15.2	17.2	17.8	17.4	17.4	17.4	17.5	18.4	18.9
4800LM	16.1	16.5	15.9	15.9	17.9	18.6	18.1	18.1	18.2	18.2	19.1	19.6
6000LM	16.9	17.3	16.7	16.7	18.7	19.4	18.9	18.9	19	19	19.9	20.4
7200LM	17.5	17.8	17.2	17.2	19.3	19.9	19.4	19.4	19.5	19.6	20.5	20.9
8500LM	18	18.4	17.8	17.8	19.9	20.5	20	20	20.1	20.5	21	21.5
10200LM	18.7	19	18.4	18.5	20.5	21.1	20.6	20.6	20.7	20.8	21.7	22.1

\*UGR varies based on luminaire options and is affected by application dependent parameters. Numbers depicted here are considered "Luminaire-UGR and/or "Point-UGR" values. To determine a more precise maximum UGR value ("Application-UGR"), a full lighting design layout should be completed with the selected luminaire configuration for each application.

# SPX LED Luminaire

Performance Data			
Luminaire Catalog	Lumens	Wattage	Efficacy
SPX 1x4 3000LM 80CRI 30K 3DP MVOLT	2989	22	134
SPX 1x4 3000LM 80CRI 35K 3DP MVOLT	3073	22	138
SPX 1x4 3000LM 80CRI 40K 3DP MVOLT	3137	22	141
SPX 1x4 3000LM 80CRI 50K 3DP MVOLT	3158	22	142
SPX 1x4 3000LM 90CRI 30K 3DP MVOLT	2480	22	111
SPX 1x4 3000LM 90CRI 35K 3DP MVOLT	2586	22	116
SPX 1x4 3000LM 90CRI 40K 3DP MVOLT	2649	22	119
SPX 1x4 3000LM 90CRI 50K 3DP MVOLT	2671	22	120
SPX 1x4 4000LM 80CRI 30K 3DP MVOLT	3918	31	128
SPX 1x4 4000LM 80CRI 35K 3DP MVOLT	4029	31	132
SPX 1x4 4000LM 80CRI 40K 3DP MVOLT	4113	31	134
SPX 1x4 4000LM 80CRI 50K 3DP MVOLT	4140	31	135
SPX 1x4 4000LM 90CRI 30K 3DP MVOLT	3251	31	106
SPX 1x4 4000LM 90CRI 35K 3DP MVOLT	3390	31	111
SPX 1x4 4000LM 90CRI 40K 3DP MVOLT	3474	31	114
SPX 1x4 4000LM 90CRI 50K 3DP MVOLT	3501	31	114
SPX 1x4 4800LM 80CRI 30K 3DP MVOLT	4609	36	127
SPX 1x4 4800LM 80CRI 35K 3DP MVOLT	4739	36	131
SPX 1x4 4800LM 80CRI 40K 3DP MVOLT	4838	36	134
SPX 1x4 4800LM 80CRI 50K 3DP MVOLT	4870	36	134
SPX 1x4 4800LM 90CRI 30K 3DP MVOLT	3824	36	106
SPX 1x4 4800LM 90CRI 35K 3DP MVOLT	3988	36	110
SPX 1x4 4800LM 90CRI 40K 3DP MVOLT	4086	36	113
SPX 1x4 4800LM 90CRI 50K 3DP MVOLT	4118	36	114
SPX 1x4 6000LM 80CRI 30K 3DP MVOLT	5796	48	120
SPX 1x4 6000LM 80CRI 35K 3DP MVOLT	5960	48	124
SPX 1x4 6000LM 80CRI 40K 3DP MVOLT	6083	48	126
SPX 1x4 6000LM 80CRI 50K 3DP MVOLT	6124	48	127
SPX 1x4 6000LM 90CRI 30K 3DP MVOLT	4809	48	100
SPX 1x4 6000LM 90CRI 35K 3DP MVOLT	5015	48	104
SPX 1x4 6000LM 90CRI 40K 3DP MVOLT	5138	48	107
SPX 1x4 6000LM 90CRI 50K 3DP MVOLT	5179	48	108
SPX 1x4 7200LM 80CRI 30K 3DP MVOLT	6957	59	117
SPX 1x4 7200LM 80CRI 35K 3DP MVOLT	7155	59	121
SPX 1x4 7200LM 80CRI 40K 3DP MVOLT	7303	59	123
SPX 1x4 7200LM 80CRI 50K 3DP MVOLT	7352	59	124
SPX 1x4 7200LM 90CRI 30K 3DP MVOLT	5773	59	97
SPX 1x4 7200LM 90CRI 35K 3DP MVOLT	6020	59	101
SPX 1x4 7200LM 90CRI 40K 3DP MVOLT	6168	59	104
SPX 1x4 7200LM 90CRI 50K 3DP MVOLT	6217	59	105
SPX 2x2 2000LM 80CRI 30K 3DP MVOLT	2011	14	146
SPX 2x2 2000LM 80CRI 35K 3DP MVOLT	2068	14	150
SPX 2x2 2000LM 80CRI 40K 3DP MVOLT	2111	14	153
SPX 2x2 2000LM 80CRI 50K 3DP MVOLT	2125	14	154
SPX 2x2 2000LM 90CRI 30K 3DP MVOLT	1669	14	121
SPX 2x2 2000LM 90CRI 35K 3DP MVOLT	1740	14	126
SPX 2x2 2000LM 90CRI 40K 3DP MVOLT	1783	14	130
SPX 2x2 2000LM 90CRI 50K 3DP MVOLT	1797	14	131
SPX 2x2 3400LM 80CRI 30K 3DP MVOLT	3275	23	141
SPX 2x2 3400LM 80CRI 35K 3DP MVOLT	3368	23	145
SPX 2x2 3400LM 80CRI 40K 3DP MVOLT	3438	23	148
SPX 2x2 3400LM 80CRI 50K 3DP MVOLT	3461	23	149
SPX 2x2 3400LM 90CRI 30K 3DP MVOLT	2718	23	117
SPX 2x2 3400LM 90CRI 35K 3DP MVOLT	2834	23	122
SPX 2x2 3400LM 90CRI 40K 3DP MVOLT	2904	23	125
SPX 2x2 3400LM 90CRI 50K 3DP MVOLT	2927	23	126

Performance Data			
Luminaire Catalog	Lumens	Wattage	Efficacy
SPX 2x2 4000LM 80CRI 30K 3DP MVOLT	3887	28	138
SPX 2x2 4000LM 80CRI 35K 3DP MVOLT	3997	28	142
SPX 2x2 4000LM 80CRI 40K 3DP MVOLT	4080	28	145
SPX 2x2 4000LM 80CRI 50K 3DP MVOLT	4107	28	146
SPX 2x2 4000LM 90CRI 30K 3DP MVOLT	3225	28	115
SPX 2x2 4000LM 90CRI 35K 3DP MVOLT	3363	28	120
SPX 2x2 4000LM 90CRI 40K 3DP MVOLT	3446	28	122
SPX 2x2 4000LM 90CRI 50K 3DP MVOLT	3473	28	123
SPX 2x2 4800LM 80CRI 30K 3DP MVOLT	4724	35	135
SPX 2x2 4800LM 80CRI 35K 3DP MVOLT	4858	35	139
SPX 2x2 4800LM 80CRI 40K 3DP MVOLT	4958	35	142
SPX 2x2 4800LM 80CRI 50K 3DP MVOLT	4992	35	143
SPX 2x2 4800LM 90CRI 30K 3DP MVOLT	3920	35	112
SPX 2x2 4800LM 90CRI 35K 3DP MVOLT	4087	35	117
SPX 2x2 4800LM 90CRI 40K 3DP MVOLT	4188	35	120
SPX 2x2 4800LM 90CRI 50K 3DP MVOLT	4221	35	121
SPX 2x2 6000LM 80CRI 30K 3DP MVOLT	5719	44	131
SPX 2x2 6000LM 80CRI 35K 3DP MVOLT	5881	44	134
SPX 2x2 6000LM 80CRI 40K 3DP MVOLT	6003	44	137
SPX 2x2 6000LM 80CRI 50K 3DP MVOLT	6043	44	138
SPX 2x2 6000LM 90CRI 30K 3DP MVOLT	4745	44	108
SPX 2x2 6000LM 90CRI 35K 3DP MVOLT	4948	44	113
SPX 2x2 6000LM 90CRI 40K 3DP MVOLT	5070	44	116
SPX 2x2 6000LM 90CRI 50K 3DP MVOLT	5111	44	117
SPX 2x2 7200LM 80CRI 30K 3DP MVOLT	7244	59	123
SPX 2x2 7200LM 80CRI 35K 3DP MVOLT	7449	59	126
SPX 2x2 7200LM 80CRI 40K 3DP MVOLT	7604	59	129
SPX 2x2 7200LM 80CRI 50K 3DP MVOLT	7655	59	130
SPX 2x2 7200LM 90CRI 30K 3DP MVOLT	6011	59	102
SPX 2x2 7200LM 90CRI 35K 3DP MVOLT	6268	59	106
SPX 2x2 7200LM 90CRI 40K 3DP MVOLT	6422	59	109
SPX 2x2 7200LM 90CRI 50K 3DP MVOLT	6473	59	110
SPX 2x4 3000LM 80CRI 30K 3DP MVOLT	2948	20	147
SPX 2x4 3000LM 80CRI 35K 3DP MVOLT	3032	20	151
SPX 2x4 3000LM 80CRI 40K 3DP MVOLT	3094	20	154
SPX 2x4 3000LM 80CRI 50K 3DP MVOLT	3115	20	156
SPX 2x4 3000LM 90CRI 30K 3DP MVOLT	2446	20	122
SPX 2x4 3000LM 90CRI 35K 3DP MVOLT	2551	20	127
SPX 2x4 3000LM 90CRI 40K 3DP MVOLT	2613	20	130
SPX 2x4 3000LM 90CRI 50K 3DP MVOLT	2634	20	132
SPX 2x4 4000LM 80CRI 30K 3DP MVOLT	3853	27	144
SPX 2x4 4000LM 80CRI 35K 3DP MVOLT	3962	27	148
SPX 2x4 4000LM 80CRI 40K 3DP MVOLT	4044	27	151
SPX 2x4 4000LM 80CRI 50K 3DP MVOLT	4072	27	152
SPX 2x4 4000LM 90CRI 30K 3DP MVOLT	3197	27	119
SPX 2x4 4000LM 90CRI 35K 3DP MVOLT	3334	27	124
SPX 2x4 4000LM 90CRI 40K 3DP MVOLT	3416	27	128
SPX 2x4 4000LM 90CRI 50K 3DP MVOLT	3443	27	129
SPX 2x4 4800LM 80CRI 30K 3DP MVOLT	4736	34	141
SPX 2x4 4800LM 80CRI 35K 3DP MVOLT	4870	34	145
SPX 2x4 4800LM 80CRI 40K 3DP MVOLT	4971	34	148
SPX 2x4 4800LM 80CRI 50K 3DP MVOLT	5004	34	149
SPX 2x4 4800LM 90CRI 30K 3DP MVOLT	3930	34	117
SPX 2x4 4800LM 90CRI 35K 3DP MVOLT	4098	34	122
SPX 2x4 4800LM 90CRI 40K 3DP MVOLT	4198	34	125
SPX 2x4 4800LM 90CRI 50K 3DP MVOLT	4232	34	126



# SPX LED Luminaire

Performance Data			
Luminaire Catalog	Lumens	Wattage	Efficacy
SPX 2x4 6000LM 80CRI 30K 3DP MVOLT	5962	43	138
SPX 2x4 6000LM 80CRI 35K 3DP MVOLT	6131	43	142
SPX 2x4 6000LM 80CRI 40K 3DP MVOLT	6258	43	144
SPX 2x4 6000LM 80CRI 50K 3DP MVOLT	6300	43	145
SPX 2x4 6000LM 90CRI 30K 3DP MVOLT	4947	43	114
SPX 2x4 6000LM 90CRI 35K 3DP MVOLT	5158	43	119
SPX 2x4 6000LM 90CRI 40K 3DP MVOLT	5285	43	122
SPX 2x4 6000LM 90CRI 50K 3DP MVOLT	5328	43	123
SPX 2x4 7200LM 80CRI 30K 3DP MVOLT	6943	53	131
SPX 2x4 7200LM 80CRI 35K 3DP MVOLT	7139	53	135
SPX 2x4 7200LM 80CRI 40K 3DP MVOLT	7287	53	138
SPX 2x4 7200LM 80CRI 50K 3DP MVOLT	7336	53	139
SPX 2x4 7200LM 90CRI 30K 3DP MVOLT	5761	53	109
SPX 2x4 7200LM 90CRI 35K 3DP MVOLT	6007	53	113
SPX 2x4 7200LM 90CRI 40K 3DP MVOLT	6155	53	116
SPX 2x4 7200LM 90CRI 50K 3DP MVOLT	6204	53	117
SPX 2x4 8500LM 80CRI 30K 3DP MVOLT	8196	63	129
SPX 2x4 8500LM 80CRI 35K 3DP MVOLT	8428	63	133
SPX 2x4 8500LM 80CRI 40K 3DP MVOLT	8603	63	136
SPX 2x4 8500LM 80CRI 50K 3DP MVOLT	8661	63	137
SPX 2x4 8500LM 90CRI 30K 3DP MVOLT	6801	63	107
SPX 2x4 8500LM 90CRI 35K 3DP MVOLT	7091	63	112
SPX 2x4 8500LM 90CRI 40K 3DP MVOLT	7266	63	115
SPX 2x4 8500LM 90CRI 50K 3DP MVOLT	7324	63	116
SPX 2x4 10200LM 80CRI 30K 3DP MVOLT	9847	80	123
SPX 2x4 10200LM 80CRI 35K 3DP MVOLT	10126	80	127
SPX 2x4 10200LM 80CRI 40K 3DP MVOLT	10336	80	129
SPX 2x4 10200LM 80CRI 50K 3DP MVOLT	10406	80	130
SPX 2x4 10200LM 90CRI 30K 3DP MVOLT	8171	80	102
SPX 2x4 10200LM 90CRI 35K 3DP MVOLT	8520	80	107
SPX 2x4 10200LM 90CRI 40K 3DP MVOLT	8729	80	109
SPX 2x4 10200LM 90CRI 50K 3DP MVOLT	8799	80	110

## OPTICS MULTIPLIER

Multiply the lumens for 3DP in the chart to the right by the factors below to get expected Lumens.  
For more accurate data please view the .IES files for SPX.

Optics Nomenclature	Luminaire Size		
	1x4	2x2	2x4
3DF	1.016	1.002	1.017
3DCB	1.020	0.991	1.015
MPL	0.979	0.979	0.979
LUGR	0.986	0.986	0.986
3DCP	0.982	0.982	0.982

## Lumen Maintenance:

Reported Lumen Maintenance	Forecasted Lumen Maintenance
L90 @ 50k Hrs / L80 @ >60k Hrs / L70 @ >60k Hrs	L90 @ 50k Hrs / L80 @ 104k Hrs / L70 @ 164k Hrs

# VON DUPRIN®

## 22 Series

Exit device – push bar

### Overview

The 22 Series is an economical alternative that incorporates a modern touch bar styling for medium to low traffic openings. Ideal for back door employee entrances or parking garage stairwells, the Von Duprin 22 Series exit devices are designed for clinic/healthcare, multi-family, or retail/commercial markets.

### Features and benefits

- Available for rim and surface-mounted vertical applications
- Several trim and electronic options
- Non-handed design

#### Vertical markets

Healthcare



Multifamily



Commercial real estate



#### Traffic and duty

Traffic



Duty

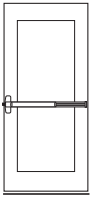


#### Stile width

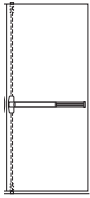
Wide



## Device types



Rim



Concealed vertical rod

## Options

- Dogging
- Switches
- Latch retraction
- Exit alarm

## Trim options

The following exit trim types and functions are available.

110  
(no trim)



210



230



## Finish options



526  
Powder  
Coated  
Chrome



622  
Powder  
Coated  
Matte Black



689  
Powder  
Coated  
Aluminum



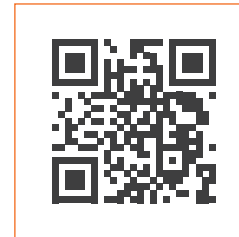
695  
Powder  
Coated Dark  
Bronze

## Certifications

- ANSI/BHMA A156.3 2014 Grade 1 certified
- ANSI/UL 10C (fire-rated only)
- ANSI/UL 305
- CAN/ULC-S104 (fire-rated only)
- CAN/ULC-S132

## Looking for more details?

Scan the QR code to learn more about the 22 Series push pad exit device or connect with an Allegion team member.



## About Allegion

Allegion (NYSE: ALLE) is a global pioneer in seamless access. We keep people and their assets safe, wherever they are, bringing together simple solutions, convenient access and advanced technology.

For more, visit [www.allegion.com](http://www.allegion.com)

KRYPTONITE ■ LCN ■  ■ STEELCRAFT ■ VON DUPRIN



© 2022 Allegion  
015563, 11/22  
[www.allegion.com/us](http://www.allegion.com/us)