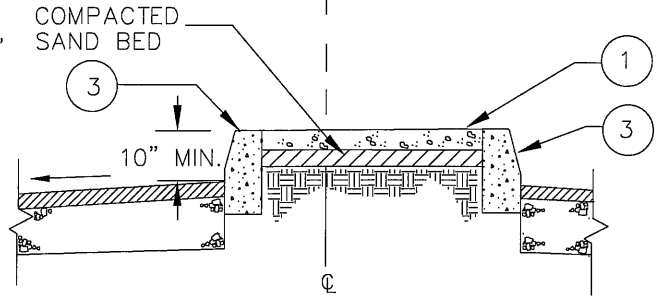
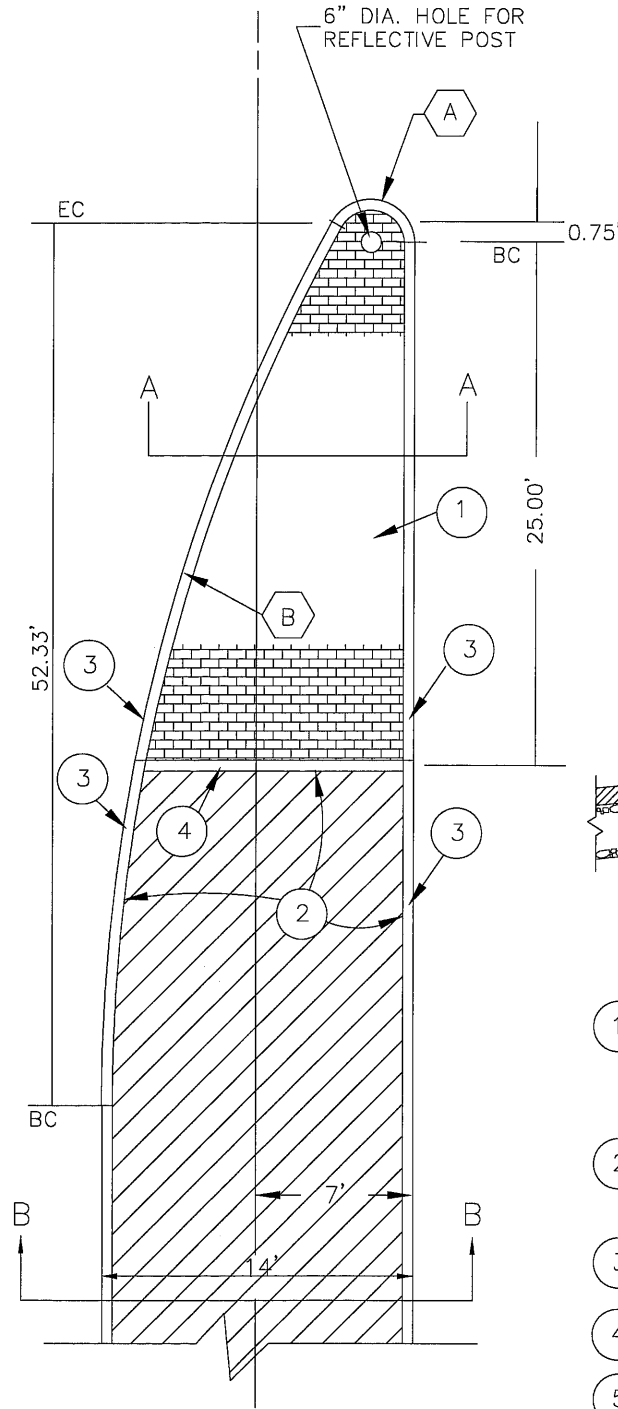


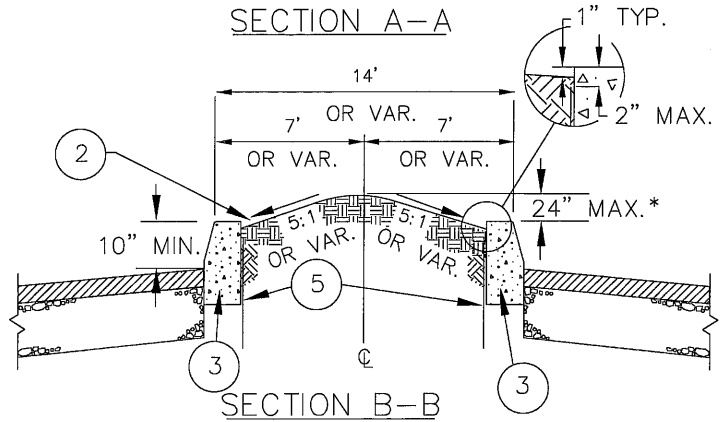
CURVE DATA

UNLESS OTHERWISE SHOWN ON PLANS

A	Δ = 158° 03' 14"	B	Δ = 29° 56' 46"
	R = 2.0'		R = 140.00'
	L = 5.52'		L = 53.62'
	L = 10.32'		T = 27.14'



SECTION A-A

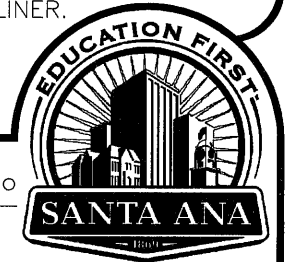


SECTION B-B

IF REQUIRED, CONSTRUCT CROWN 1/4" / FT MIN., TO PROVIDE DRAINAGE.

- 1 — PLACE 4" THICK PATTERN STAMPED CONCRETE CAP FLUSH WITH TOP OF CURBS OVER 4" COMPACTED SAND BASE. CONCRETE COLOR TO BE BRICK RED #A-26 AS MANUFACTURED BY L.M. SCOFIELD OR APPROVED EQUAL.
- 2 — PROVIDE DROUGHT TOLERANT MEDIAN LANDSCAPING & DRIP IRRIGATION PER PLANS PREPARED OR APPROVED BY PWA DESIGN ENGINEERING
- 3 — CONSTRUCT 10" TYPE B-1 CURB PER STD. PLAN NO. 1101.
- 4 — CONSTRUCT 8" x 8" MOW STRIP
- 5 — INSTALL 24" — 20 MIL PVC LINER.

* 24" MAX. APPLIES WHEN MEDIAN WIDTH IS WIDER THAN 14' PER THE PLANS.



APPROVED: *[Signature]* DATE: 5.16.17
CITY ENGINEER

CITY OF SANTA ANA
PUBLIC WORKS AGENCY

DATE	REVISION
11/7/97	ADD MOISTURE BARRIER AND CHANGE CURB TYPE.
2/18/99	REVISED MAX BERM HEIGHT
11/2/99	REVISED MAX. X-SLOPE
5/16/17	REVISED NOTE 2

STANDARD 14' MEDIAN
FLARE

STD. PLAN
NUMBER
1118A