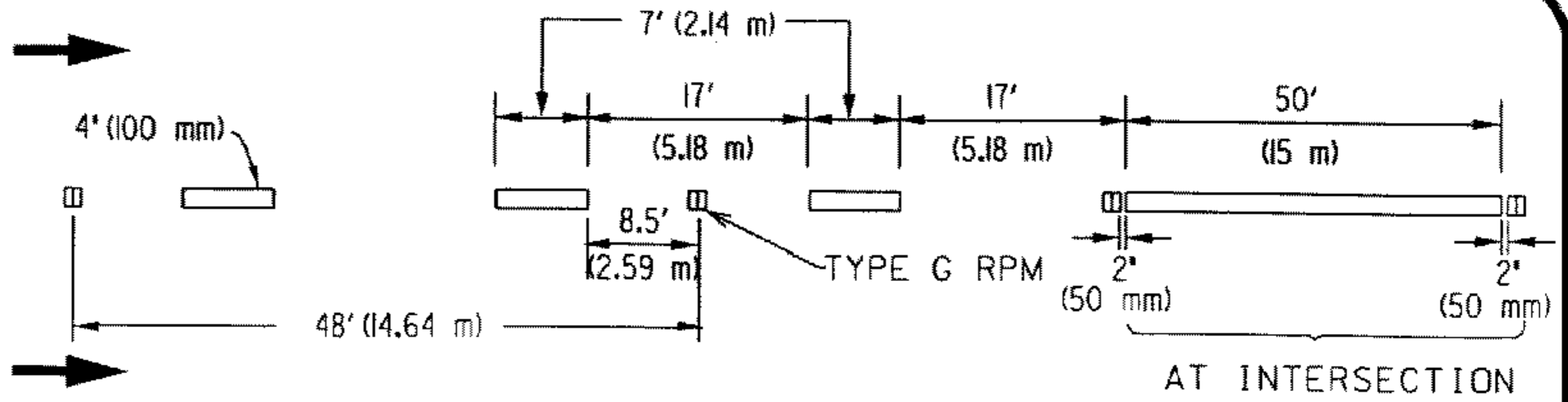
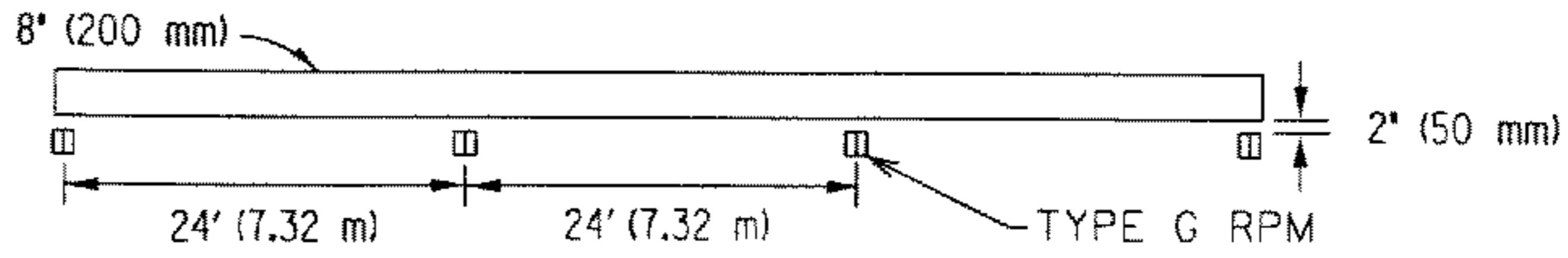


① WHITE LANE LINE

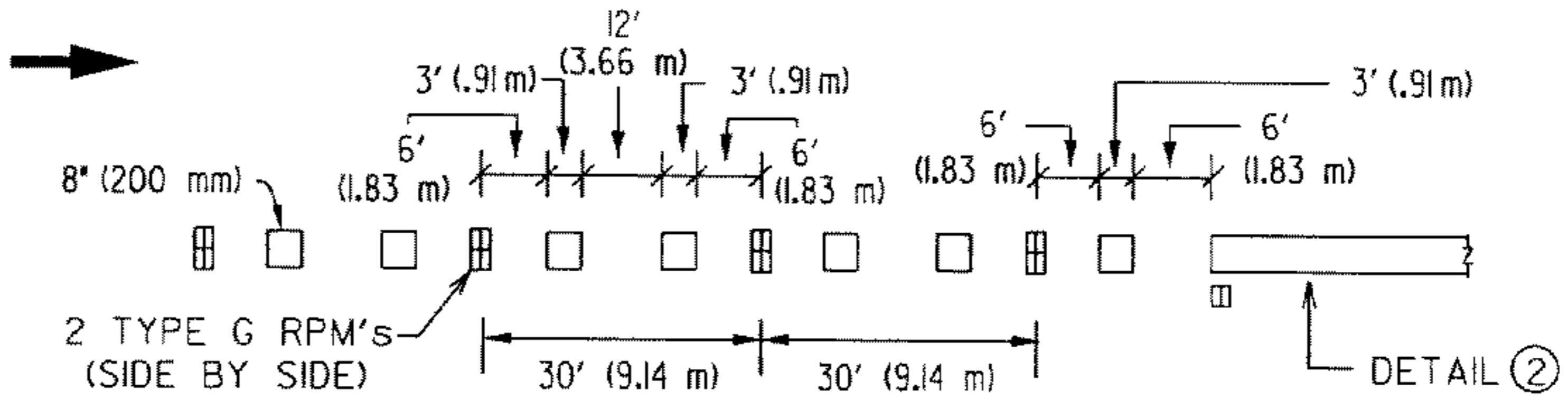


② WHITE TURN LANE LINE

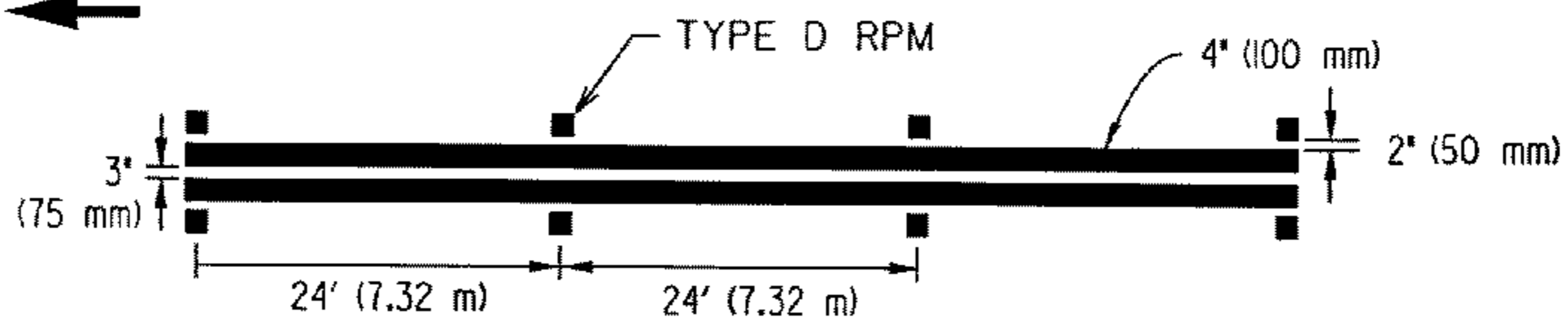


NOTE: TYPE G RPM SHALL BE ON THE SIDE OF THROUGH TRAFFIC

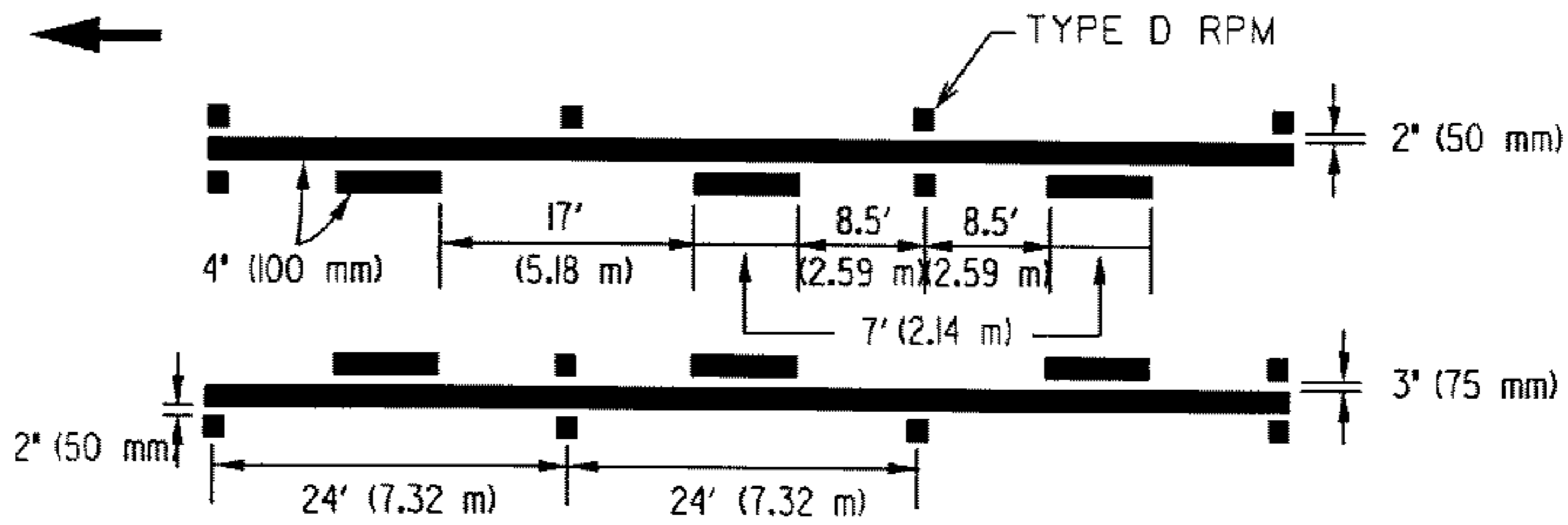
③ LANE DROP LINE



④ DOUBLE YELLOW



⑤ TWO-WAY LEFT TURN LANE



() Metric

SEE 1125B-2 FOR LEGEND

NOT TO SCALE

APPROVED: *George Alvarez*
CITY ENGINEER

DATE: 4-23-9

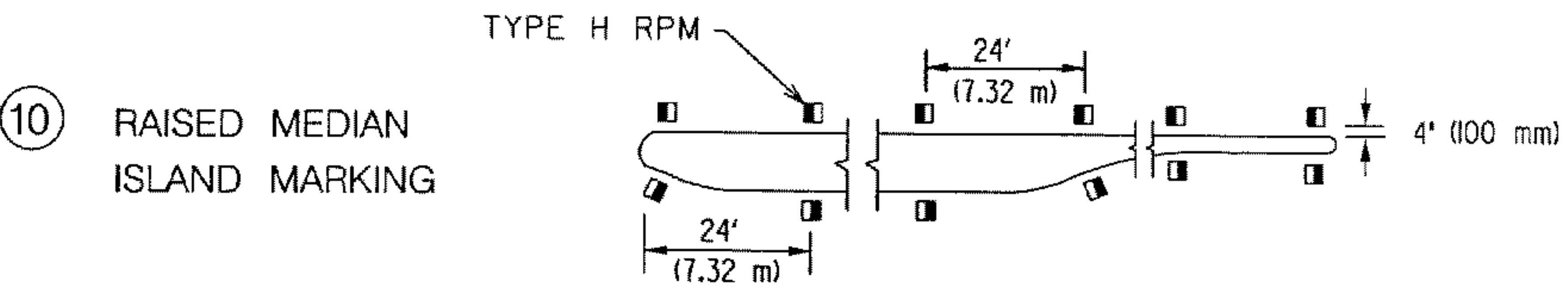
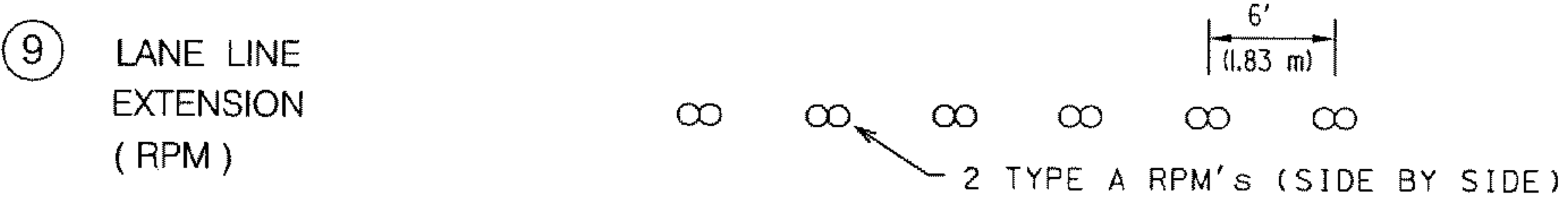
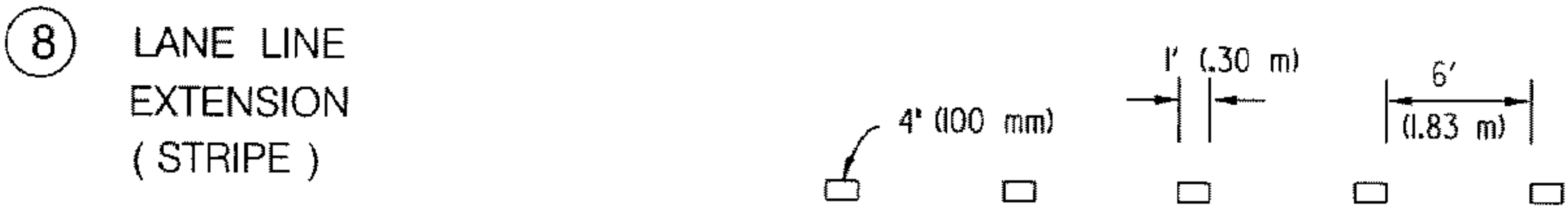
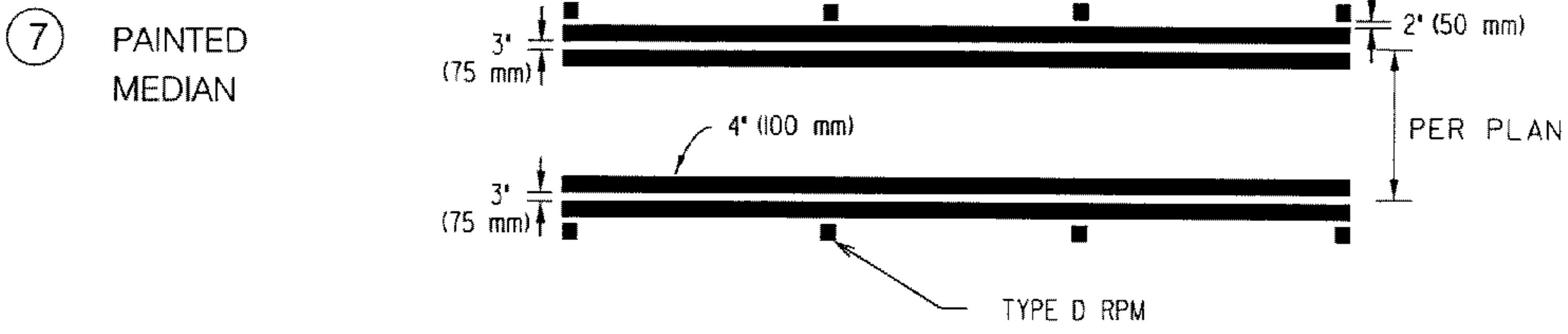
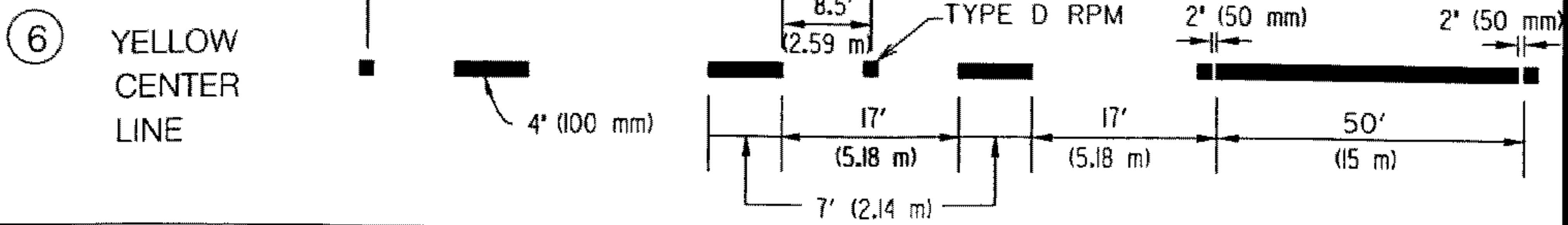
○ CITY OF SANTA ANA ○
PUBLIC WORKS AGENCY



DATE	REVISION

STRIPING AND RAISED PAVEMENT MARKERS

STD. PLAN NUMBER
1125B-1



LEGEND

STRIPING

- 4" (100 mm) YELLOW
- 4" (100 mm) WHITE
- 8" (200 mm) WHITE

RAISED PAVEMENT MARKERS (RPM'S)

- TYPE D Two-way Yellow Retroreflective (High Intensity)
- TYPE G One-way Clear Retroreflective (High Intensity)
- TYPE H One-way Yellow Retroreflective
- TYPE A White Non-reflective

Direction of Travel
() Metric

NOT TO SCALE

APPROVED: *Gerry Lopez*
CITY ENGINEER

DATE: 4-23-01

CITY OF SANTA ANA
PUBLIC WORKS AGENCY



DATE	REVISION

STRIPING AND RAISED PAVEMENT MARKERS

STD. PLAN NUMBER
1125B-2