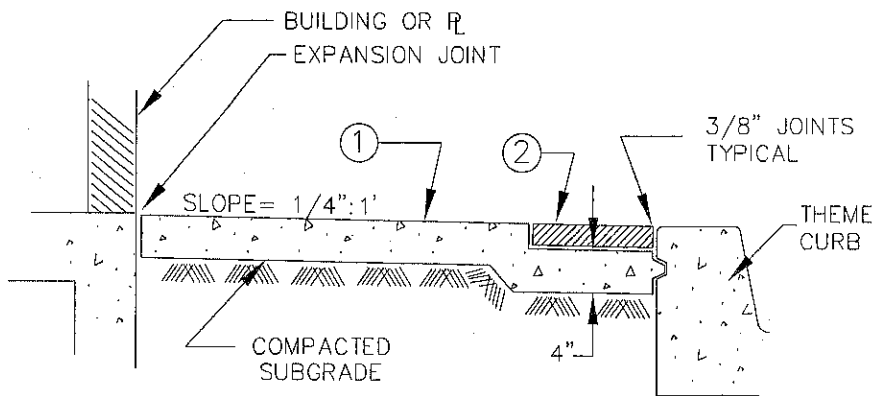


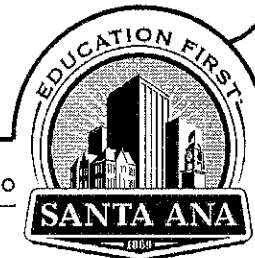
THEME CURB WITH 2' GTR. AND 8" CURB TOP
N.T.S.



THEME SIDEWALK CROSS SECTION
N.T.S.

- ① CONSTRUCT 4" PCC SIDEWALK PER STD. PLAN 1104 MODIFIED AS SHOWN.
- ② PROVIDE BRICK PAVER BAND BEHIND CURB AS SHOWN USING 11-1/2" X 3-1/2" X 1-1/2" MODULAR PAVER MANUFACTURED BY HIGGINS BRICK CO. OR APPROVED EQUAL. COLOR: SATURN RED, WITH 3/4" MORTAR BED AND 3/8" MORTAR JOINTS.
- ③ CONTINUE BRICK PAVER BAND THROUGH DRIVEWAY DEPRESSIONS.

REPLACES STD. PLAN NUMBER 127



APPROVED: *[Signature]* DATE: 3/22/16
CITY ENGINEER

CITY OF SANTA ANA
PUBLIC WORKS AGENCY

DATE	REVISION

DOWNTOWN THEME STANDARDS
SIDEWALK, CURB & GUTTER DETAILS

STD. PLAN
NUMBER
1127