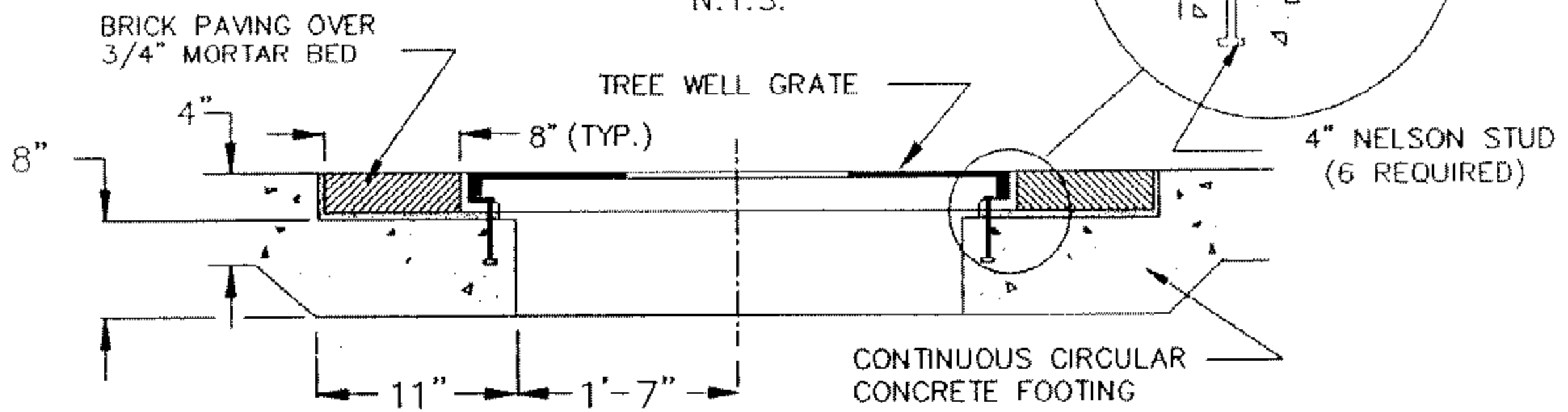


PLAN
N.T.S.



PROFILE
N.T.S.

- ① PROVIDE 11-1/2" X 3-1/2" X 1-1/2" MODULAR PAVER MANUFACTURED BY HIGGINS BRICK CO. OR APPROVED EQUAL, WITH 3/4" MORTAR BED AND 3/8" GROUT JOINTS. CUT TO FIT AS SHOWN.
- ② TREE WELL GRATE AND FRAME MANUFACTURED BY IRONSMITH TREEGRATES INC., 41-365 CORPORATE WAY, SUITE 3, PALM DESERT, CA 92260 (619) 776-7687 OR APPROVED EQUAL.

REPLACES STD. PLAN NUMBER 129.

APPROVED: DATE: 1-17-91

George Alvarez
CITY ENGINEER

◦ CITY OF SANTA ANA ◦
PUBLIC WORKS AGENCY



DATE	APPR.	REVISION
1-15-91	SA	WELL CL TO CURB FACE DIMENSIONS
8-19-91	SA	ADDRESS OF MANUFACTURER
4-20-95	SA	ADDRESS OF MANUFACTURER

**DOWNTOWN THEME STANDARDS
TREE WELL GRATE DETAILS**

STD. PLAN
NUMBER

1129