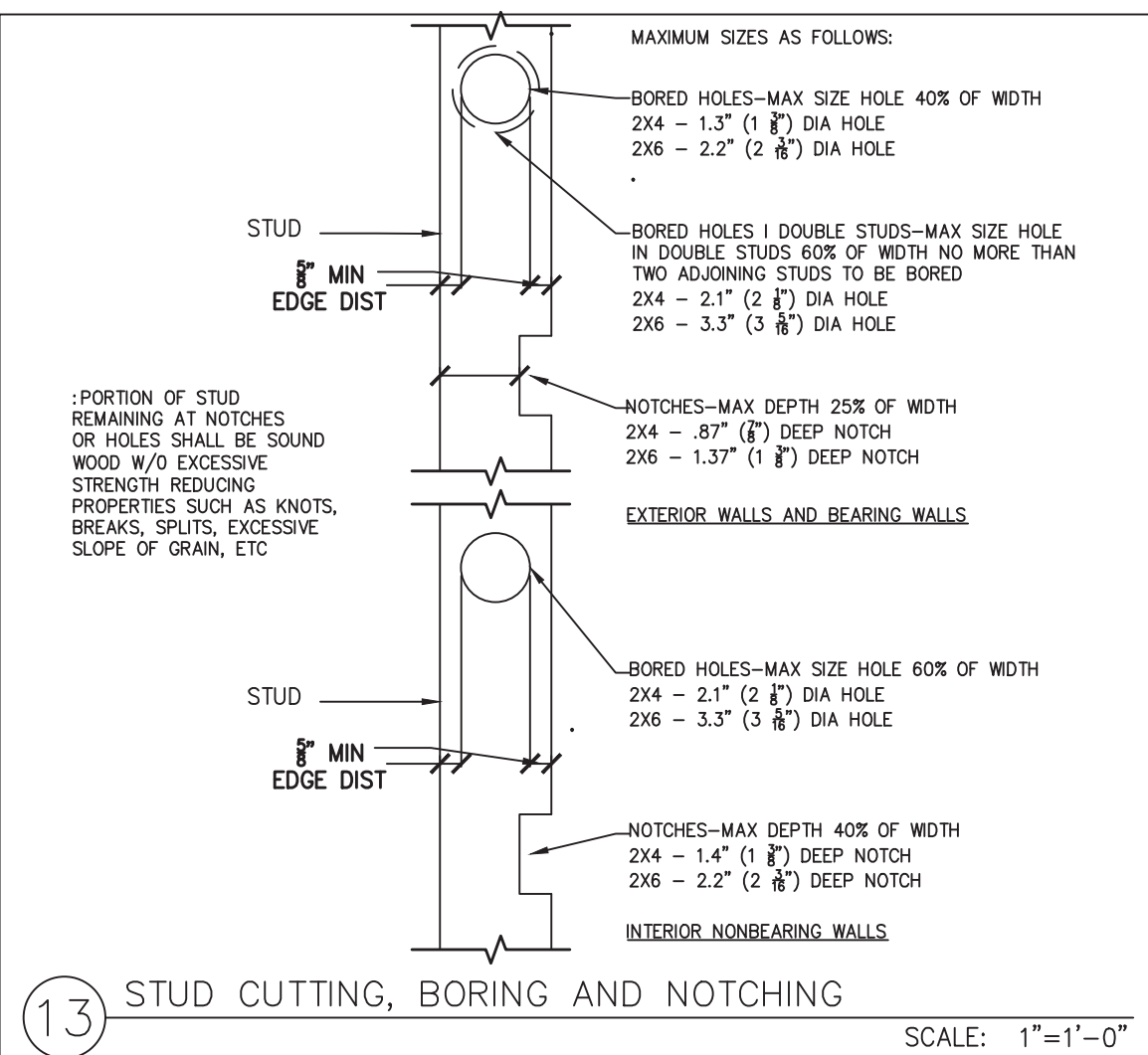
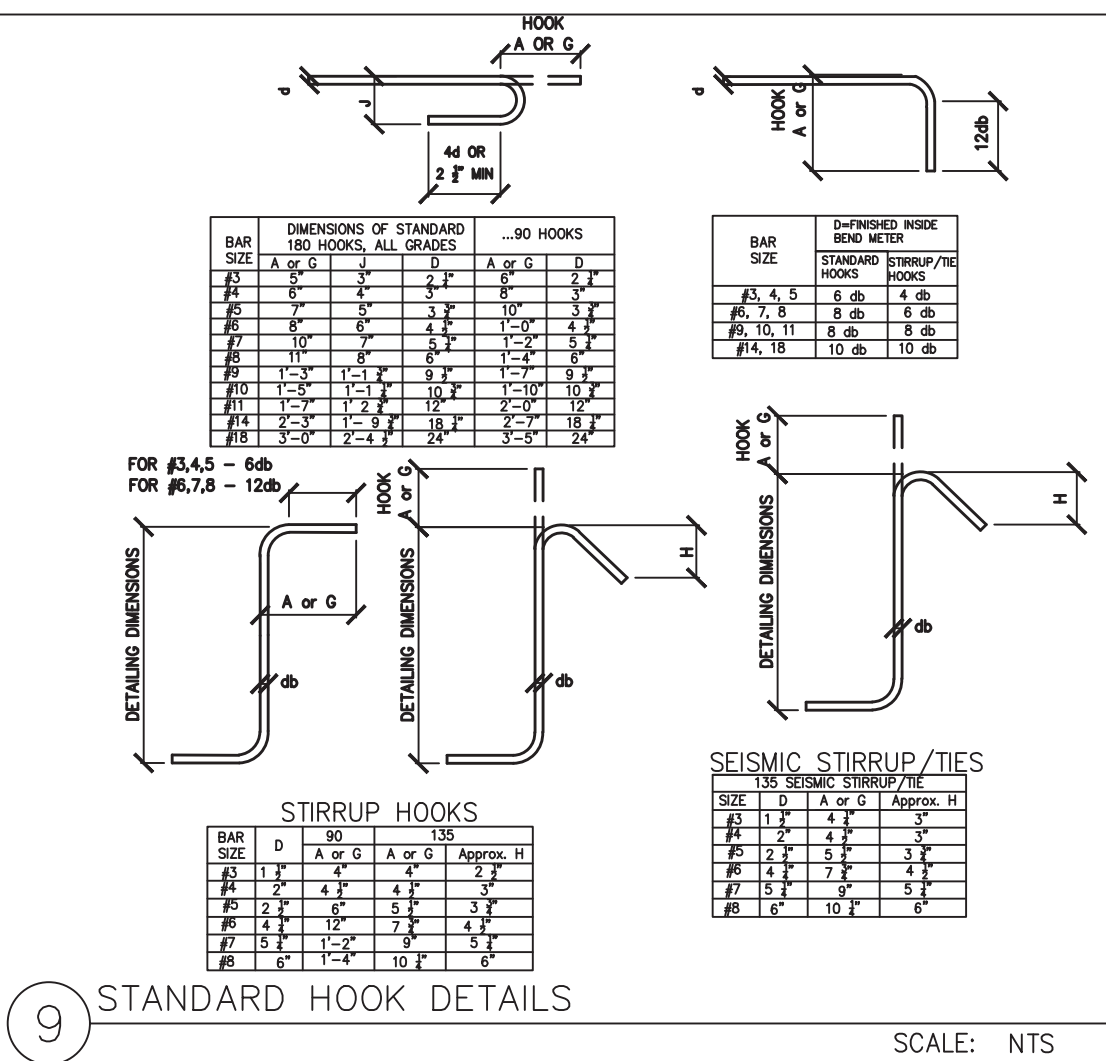


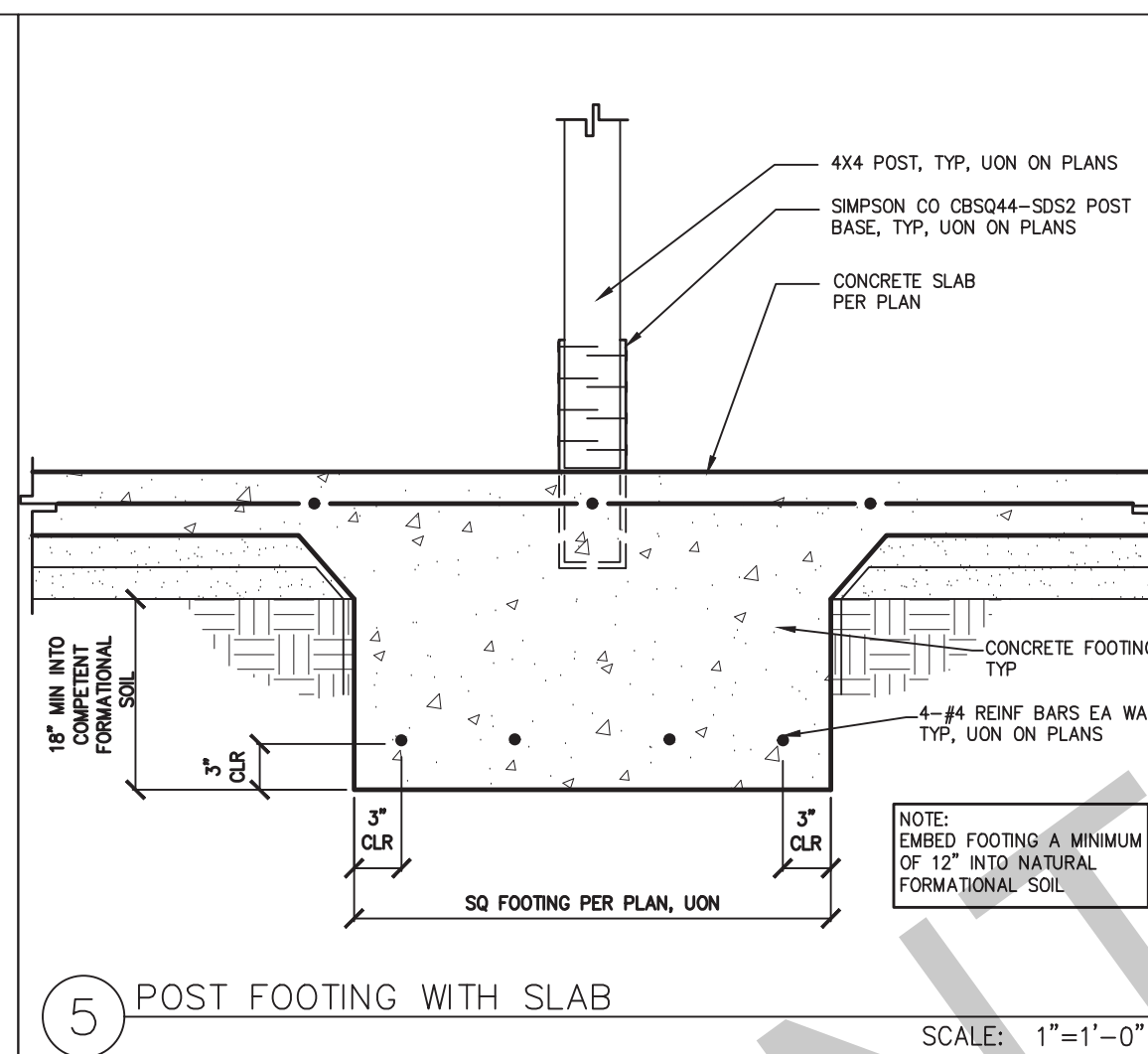
17 FRAMING FOR ROUGH WINDOW OR DOOR OPENING
SCALE: 1/2"=1'-0"



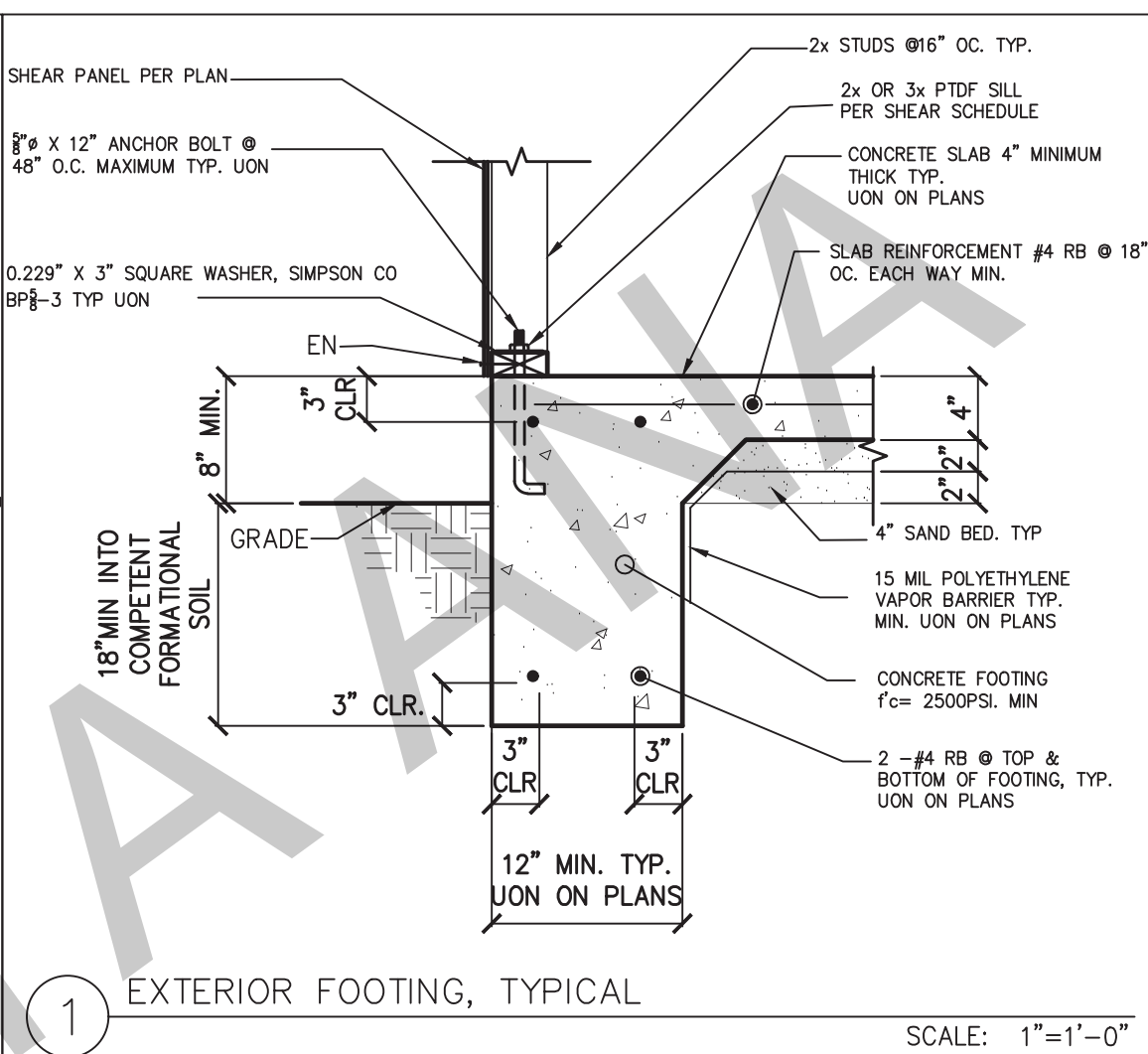
13 STUD CUTTING, BORING AND NOTCHING
SCALE: 1"=1'-0"



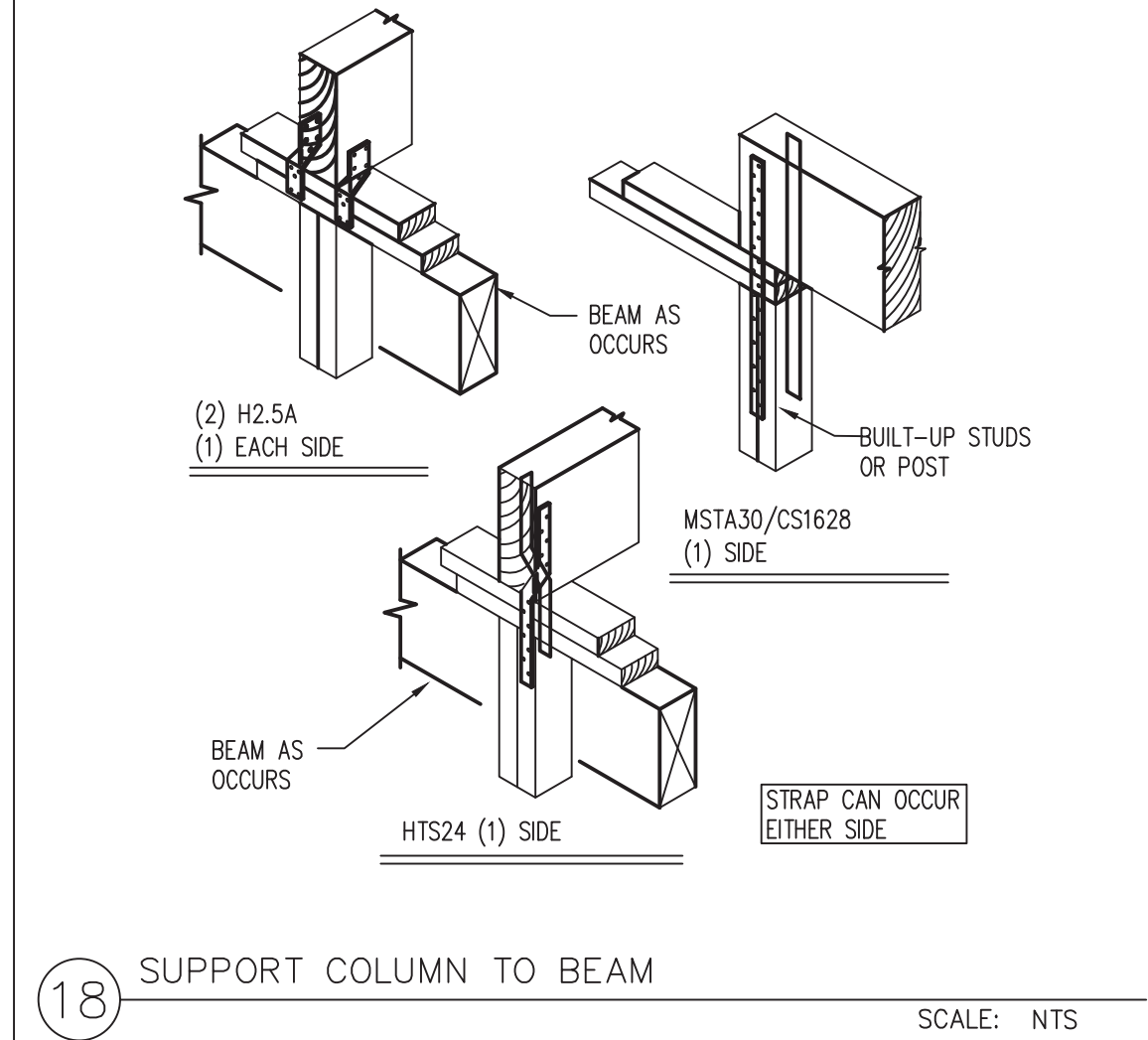
9 STANDARD HOOK DETAILS
SCALE: NTS



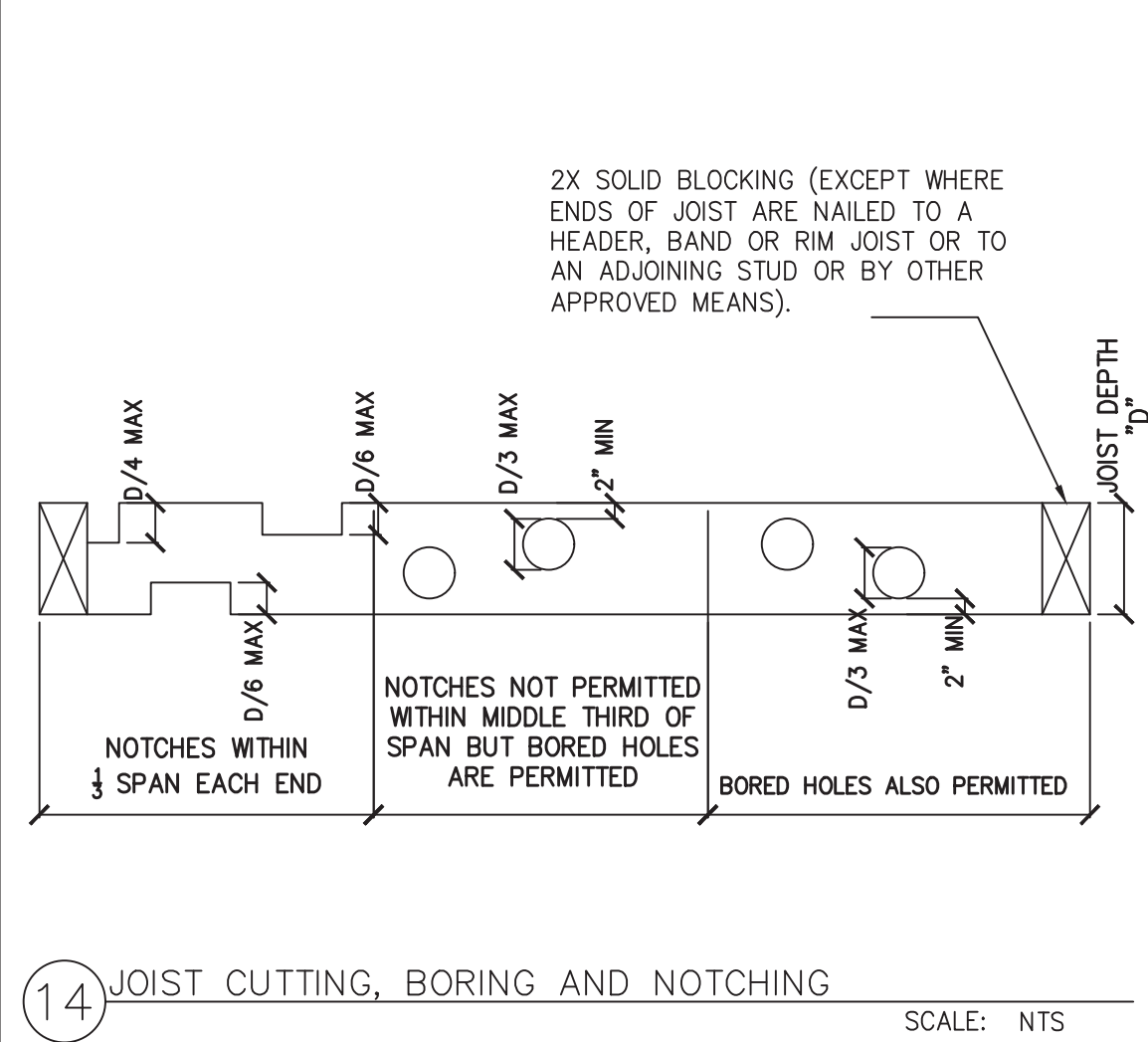
5 POST FOOTING WITH SLAB
SCALE: 1"=1'-0"



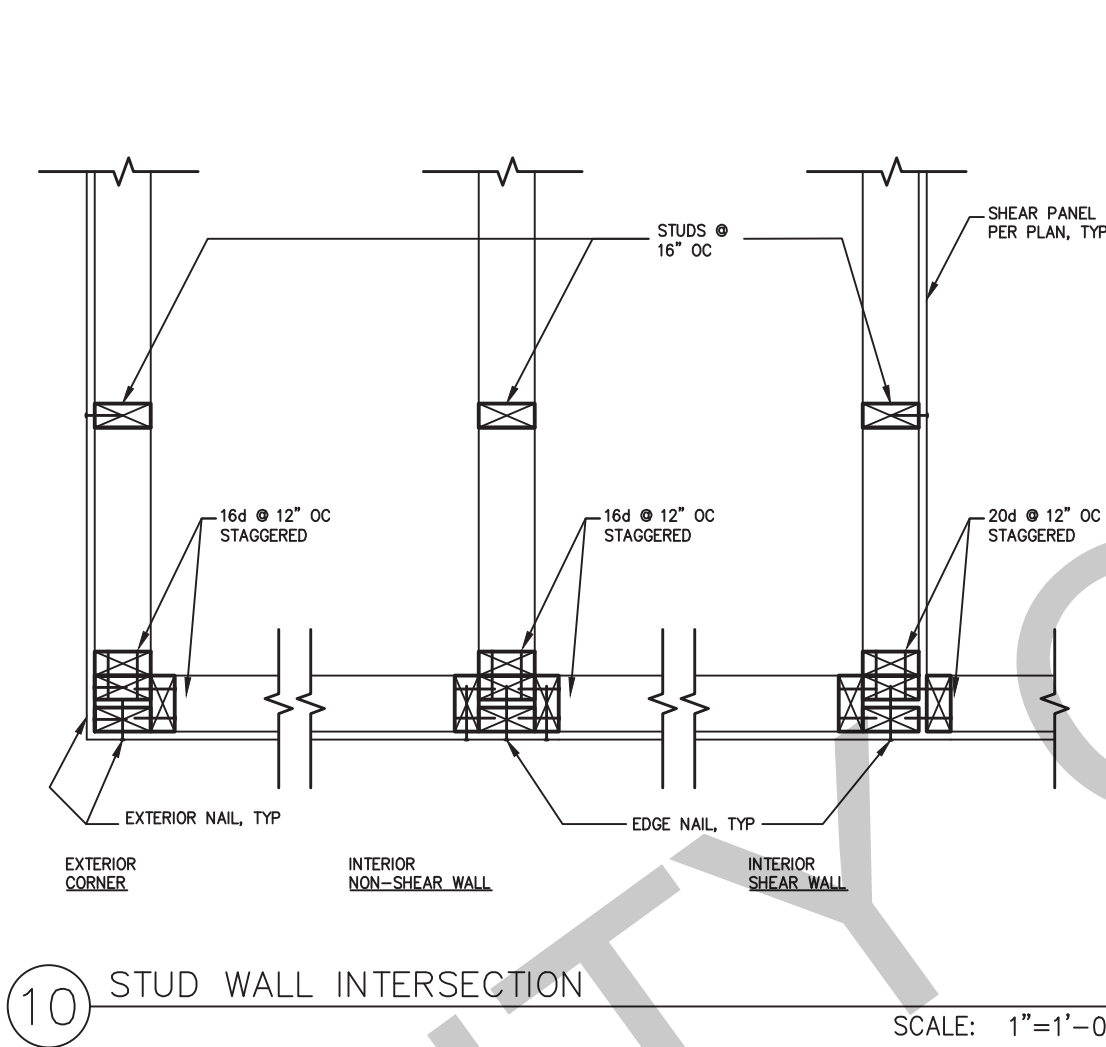
1 EXTERIOR FOOTING, TYPICAL
SCALE: 1"=1'-0"



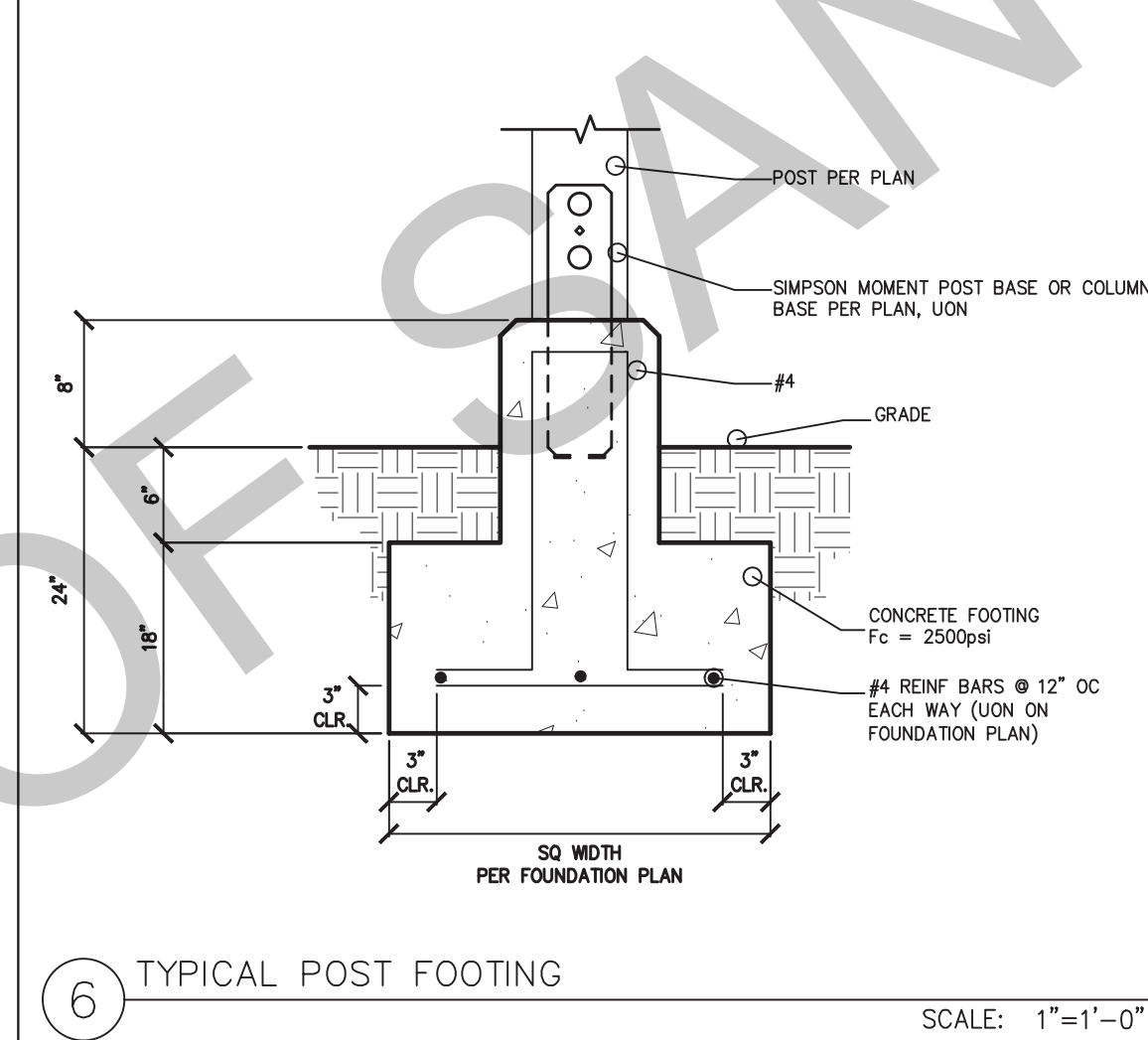
18 SUPPORT COLUMN TO BEAM
SCALE: NTS



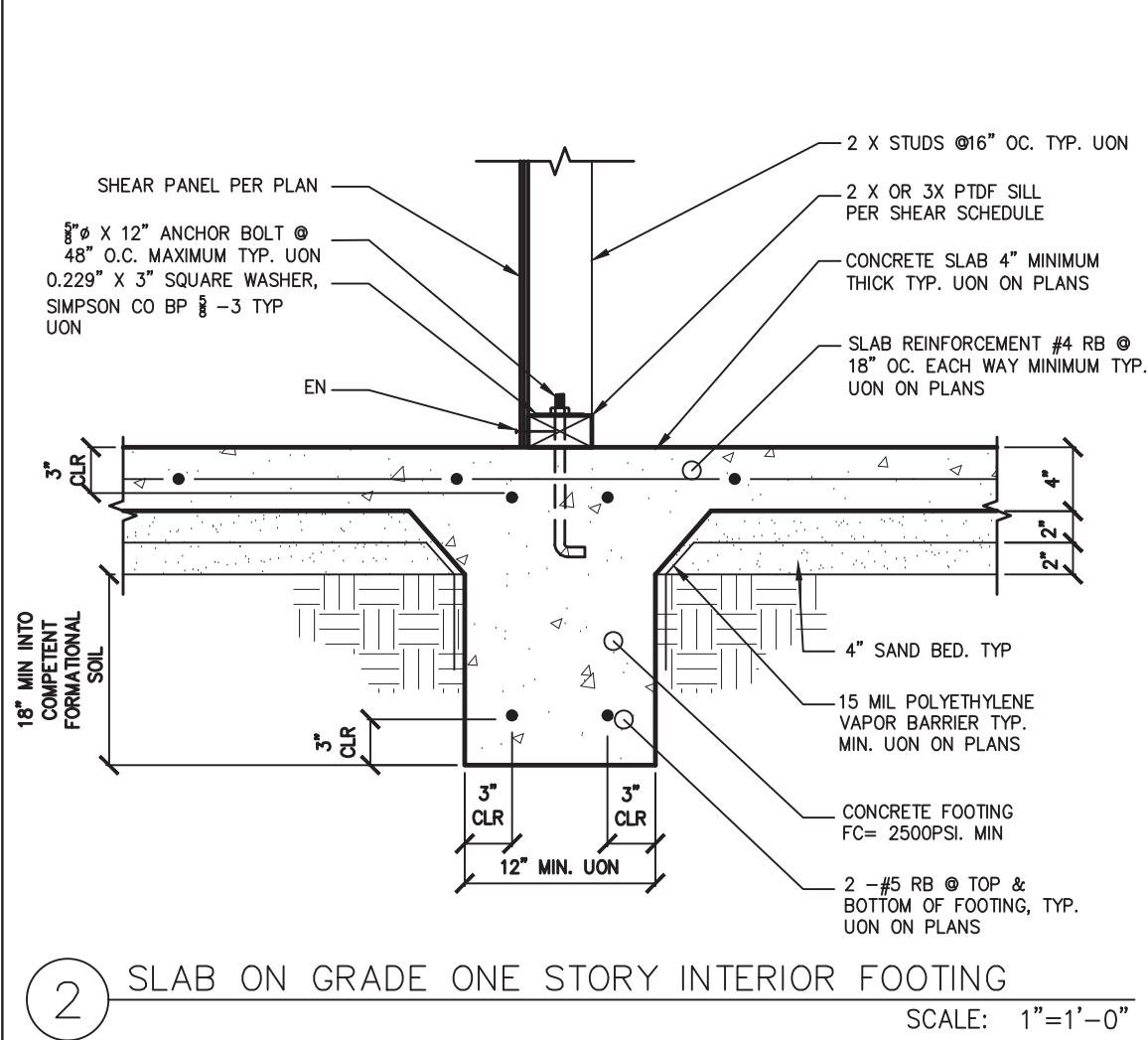
14 JOIST CUTTING, BORING AND NOTCHING
SCALE: NTS



10 STUD WALL INTERSECTION
SCALE: 1"=1'-0"

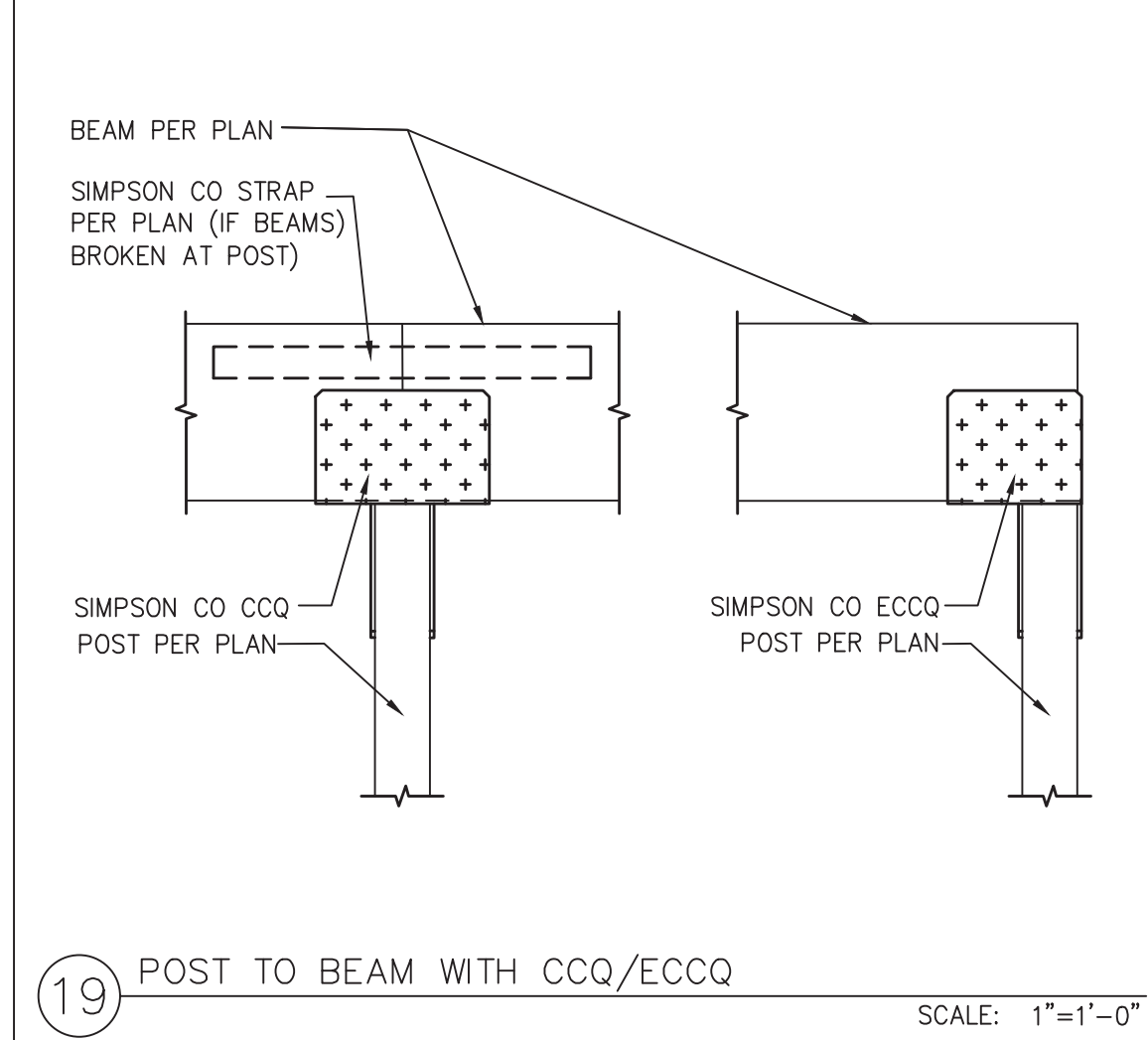


6 TYPICAL POST FOOTING
SCALE: 1"=1'-0"

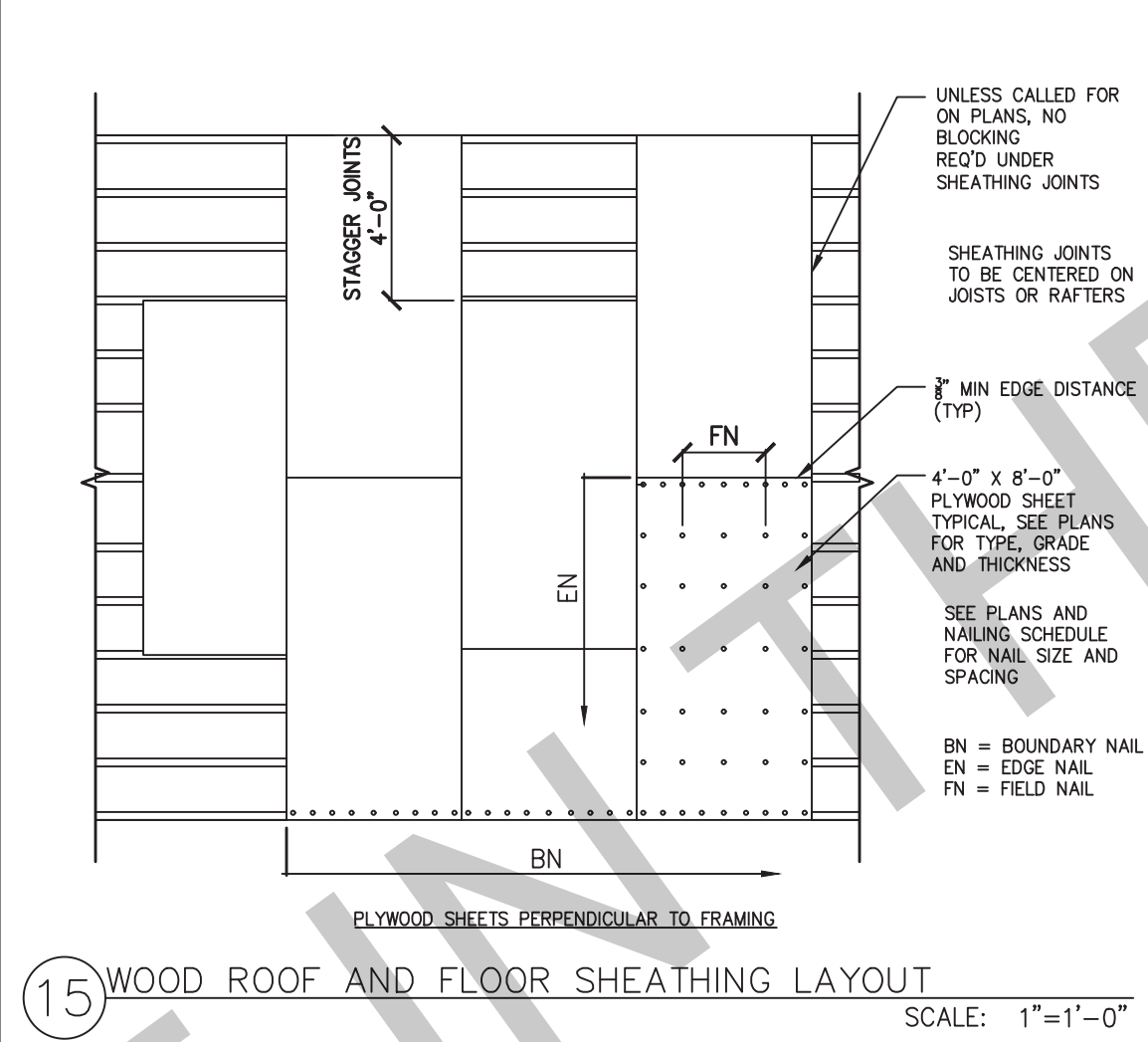


2 SLAB ON GRADE ONE STORY INTERIOR FOOTING
SCALE: 1"=1'-0"

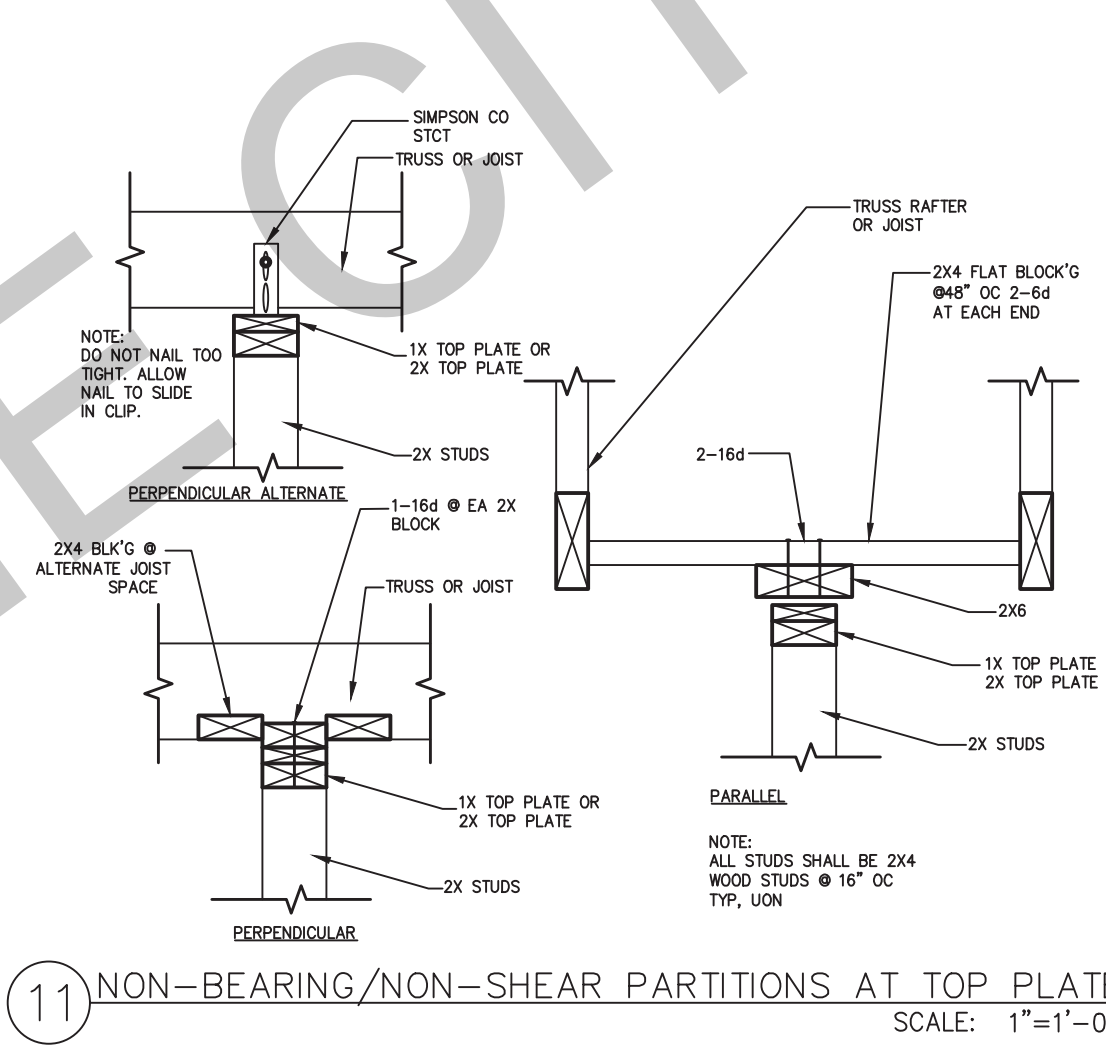
BY USING THESE PERMIT READY CONSTRUCTION DOCUMENTS, THE RECIPIENT ACKNOWLEDGES, ACCEPTS AND VOLUNTARILY AFFIRMS THE FOLLOWING CONDITIONS:
1. THE USE OF THIS INFORMATION IS RESTRICTED TO THE ORIGINAL PROJECT FOR WHICH IT WAS PREPARED FOR THE PERMIT READY ACCESSORY DWELLING UNIT (ADU) PROGRAM FOR THE CITY OF SANTA ANA ONLY. THIS IS A LIMITED SET OF STANDARDIZED ADU PLANS AND SPECIFICATIONS APPROVED BY THE CITY OF SANTA ANA BUILDING DEPARTMENT. BUILDING CODES DO CHANGE, OVER TIME AND RECIPIENT SHALL ENSURE FULL COMPLIANCE UNDER ALL CODES THEN IN EFFECT AT THE TIME OF THE SUBJECT PERMIT. THIS DOES NOT ELIMINATE OR REDUCE THE RECIPIENT'S RESPONSIBILITY TO VERIFY ANY AND ALL INFORMATION RELEVANT TO THE RECIPIENT'S WORK AND RESPONSIBILITY ON THIS PROJECT. DESIGN PATH STUDIO SHALL NOT BE RESPONSIBLE FOR TRANSLATION ERRORS. DO NOT USE THESE CONSTRUCTION DOCUMENTS IF THE PERMIT HAS EXPIRED OR IS REVOKED AT ALL.
2. THE RECIPIENT RECOGNIZES AND ACKNOWLEDGES THAT THE USE OF THIS INFORMATION WILL BE AT THEIR SOLE RISK AND WITHOUT ANY LIABILITY OR LEGAL EXPOSURE TO DESIGN PATH STUDIO. NO WARRANTIES OF ANY NATURE, WHETHER EXPRESS OR IMPLIED, SHALL ATTACH TO THESE DOCUMENTS AND THE INFORMATION CONTAINED THEREON. ANY USE, REUSE, OR ALTERATION OF THESE DOCUMENTS BY THE RECIPIENT OR BY OTHERS WILL BE AT THE RECIPIENT'S RISK AND FULL LEGAL RESPONSIBILITY. FURTHERMORE, THE RECIPIENT WILL, TO THE FULLEST EXTENT PERMITTED BY LAW, DEFEND, INDEMNIFY AND HOLD DESIGN PATH STUDIO AND ITS ARCHITECTS HARMLESS FROM ANY AND ALL CLAIMS, SUITS, LIABILITY, DEMANDS, JUDGMENTS, OR COSTS ARISING OUT OF OR RESULTING THERE FROM ANY USE OF THESE CONSTRUCTION DOCUMENTS FOR OR ON ACCOUNT OF ANY INJURY, DEATH, DAMAGE OR LOSS TO PERSONS OR PROPERTY, DIRECT OR INDIRECT DAMAGES IN ANY AMOUNT. THIS INDEMNITY DOES NOT APPLY TO THE SOLE NEGLIGENCE OR WILLFUL MISCONDUCT OF DESIGN PATH STUDIO OR ITS ARCHITECTS.
3. THE DESIGNS REPRESENTED BY THESE PLANS ARE COPYRIGHTED AND ARE SUBJECT TO COPYRIGHT PROTECTION.
4. IF THE RECIPIENT DOES NOT AGREE WITH THE ABOVE CONDITIONS, DO NOT PROCEED WITH CONSTRUCTION OF AN ADU OR OTHER IMPROVEMENT UNDER THESE PLANS AT ALL.



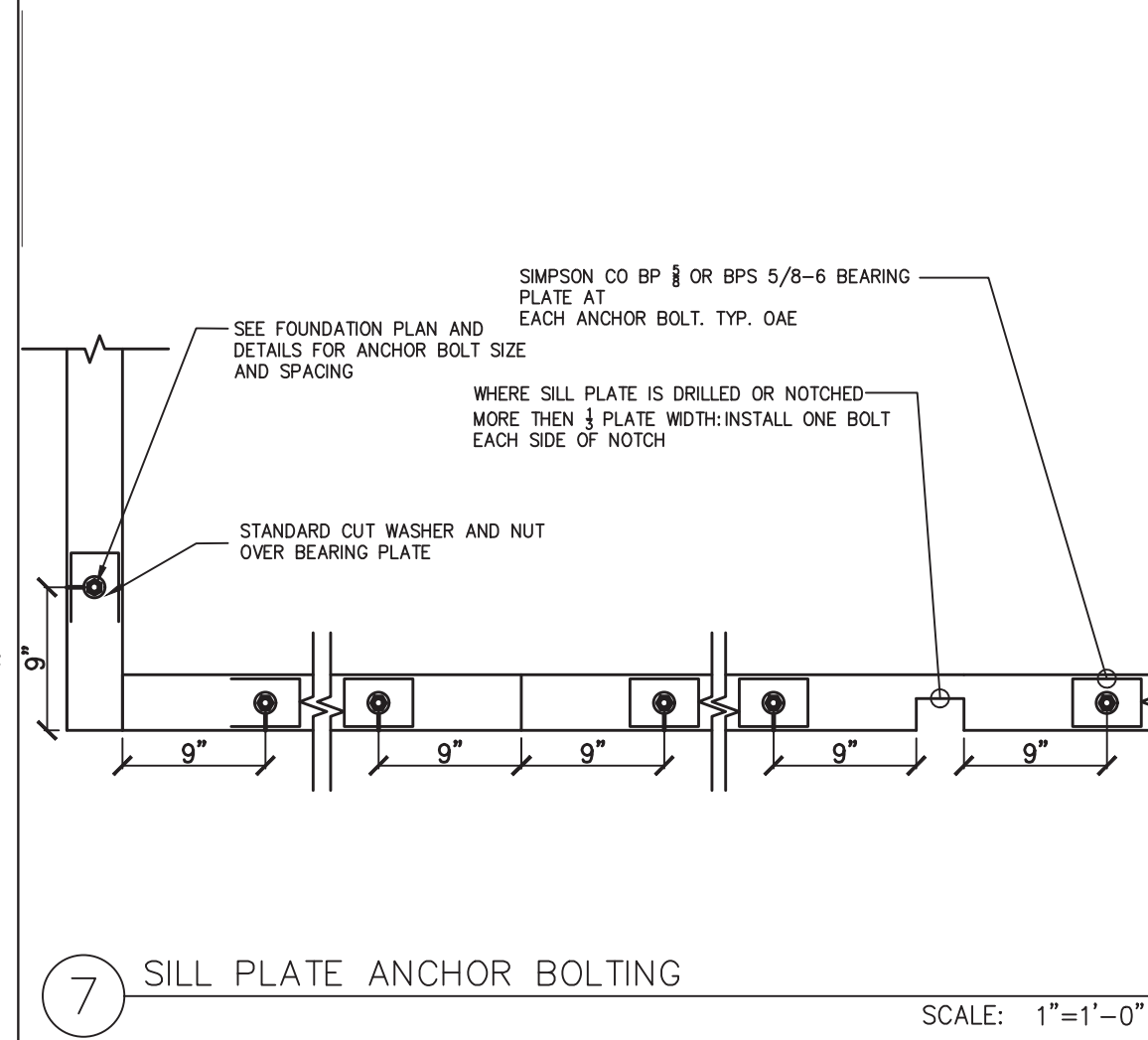
19 POST TO BEAM WITH CCQ/ECCQ
SCALE: 1"=1'-0"



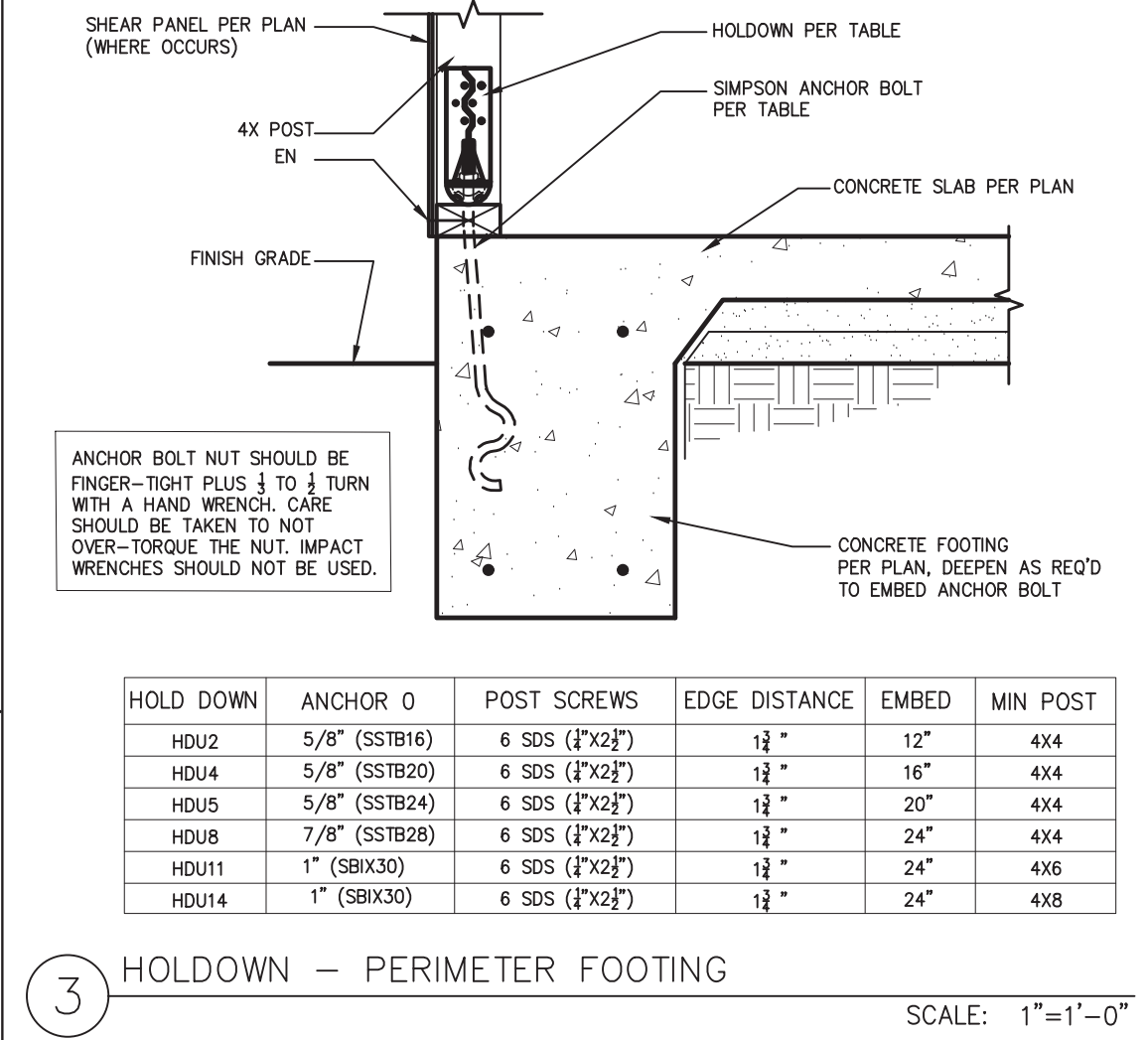
15 WOOD ROOF AND FLOOR SHEATHING LAYOUT
SCALE: 1"=1'-0"



11 NON-BEARING/NON-SHEAR PARTITIONS AT TOP PLATE
SCALE: 1"=1'-0"

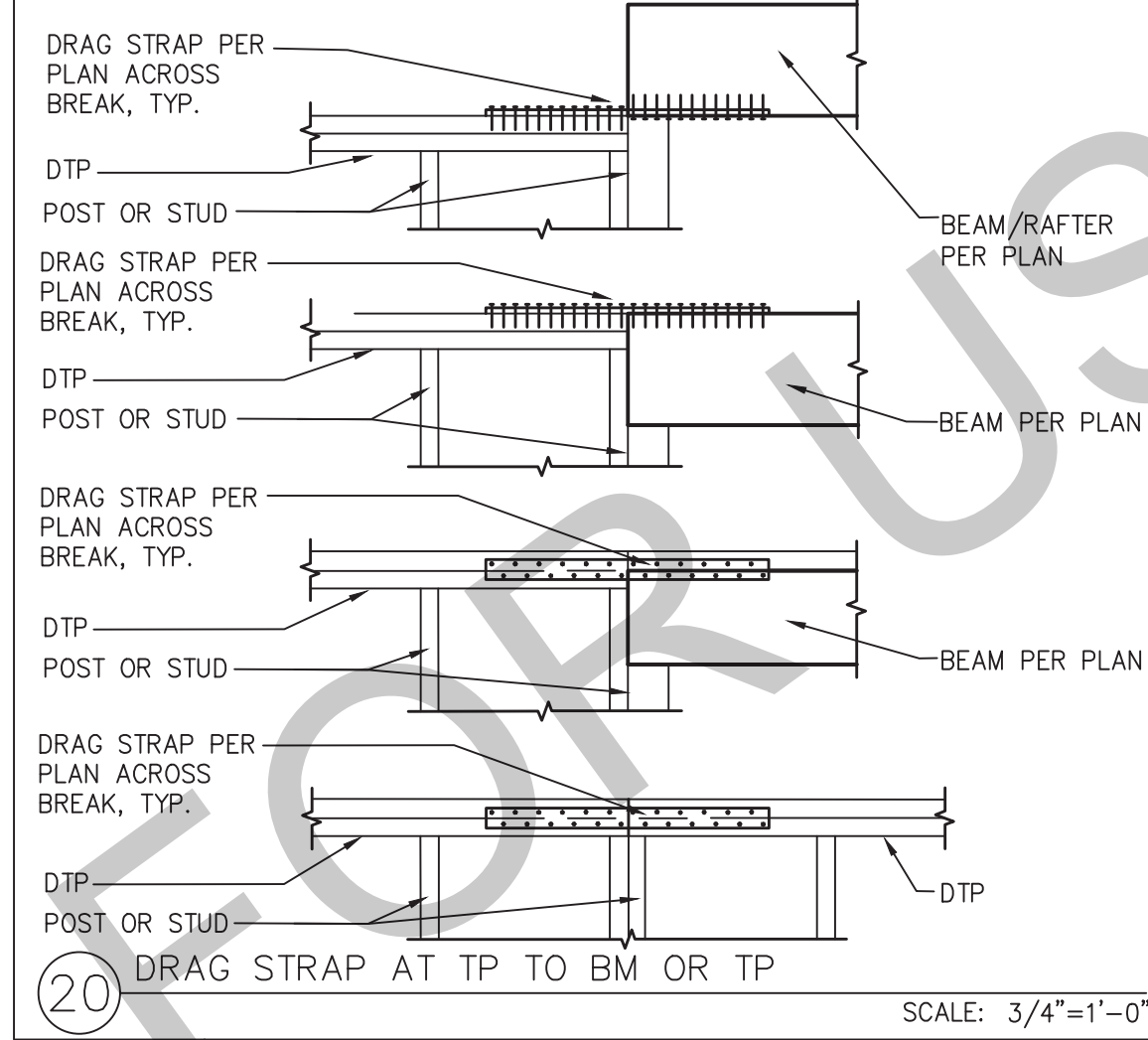


7 SILL PLATE ANCHOR BOLTING
SCALE: 1"=1'-0"

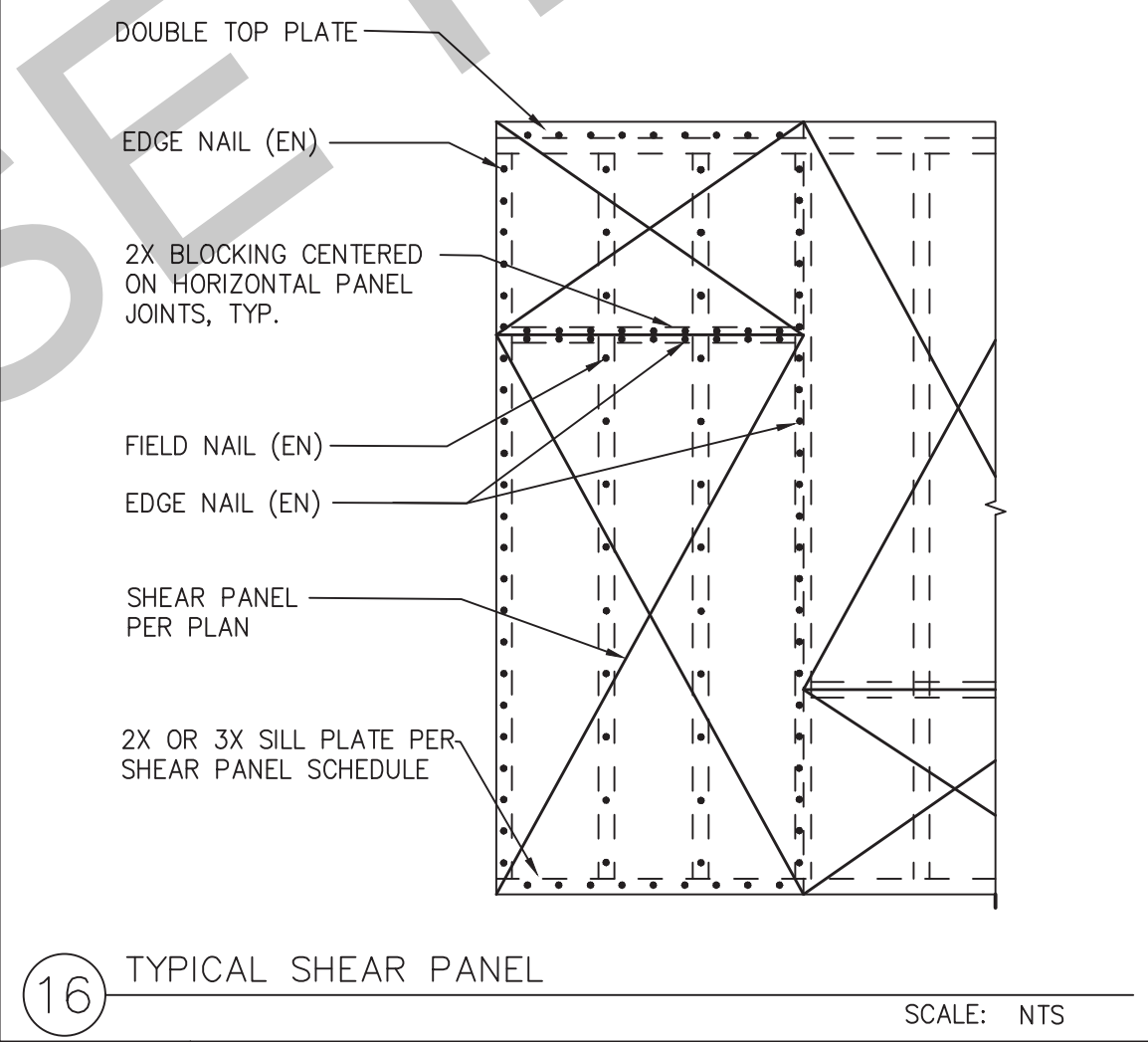


3 HOLDOWN - PERIMETER FOOTING
SCALE: 1"=1'-0"

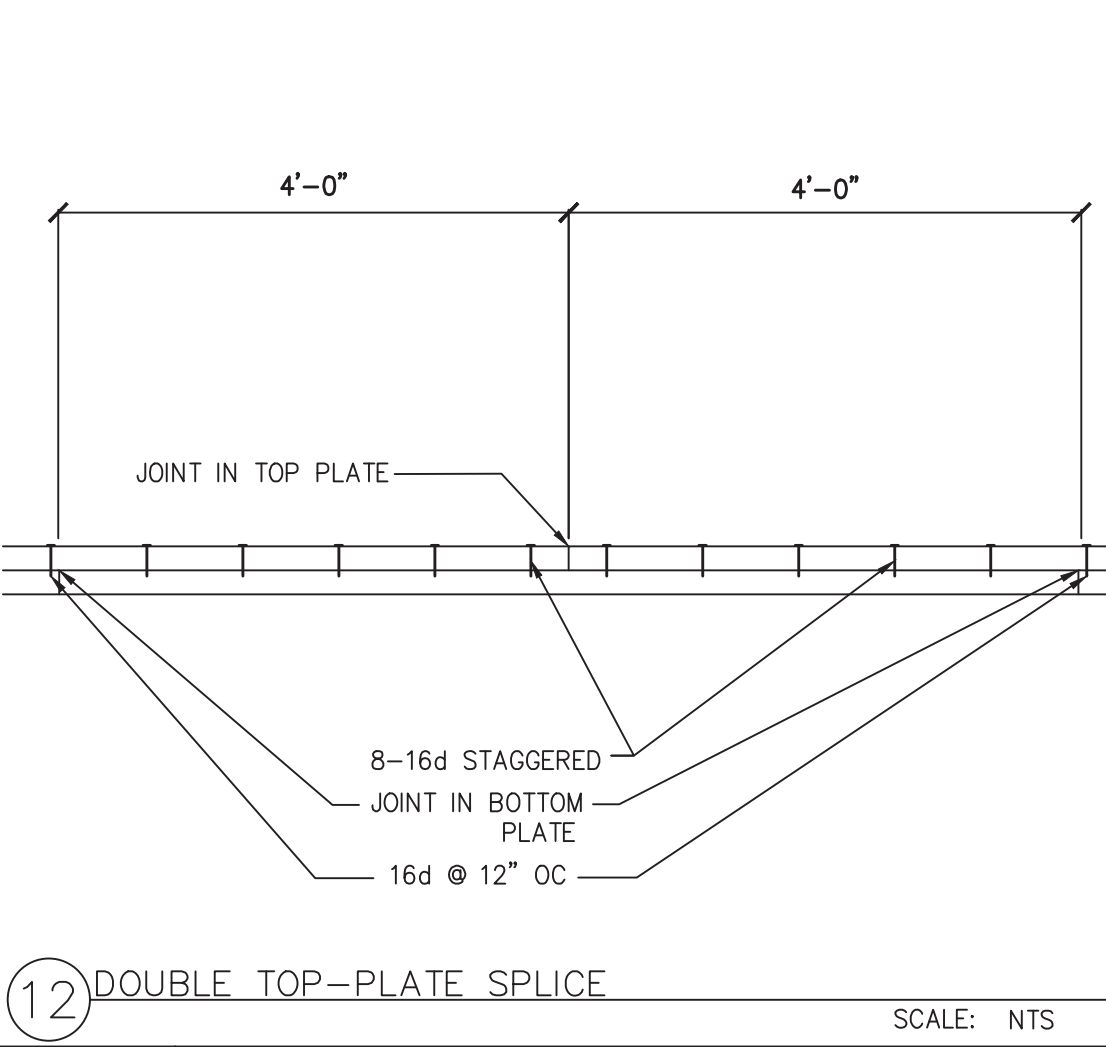
HOLD DOWN	ANCHOR Ø	POST SCREWS	EDGE DISTANCE	EMBED	MIN POST
HU2	5/8" (SSTB16)	6 SDS (F722)	1 1/2"	12"	4X4
HU4	5/8" (SSTB20)	6 SDS (F722)	1 1/2"	16"	4X4
HU5	5/8" (SSTB24)	6 SDS (F722)	1 1/2"	20"	4X4
HU8	7/8" (SSTB28)	6 SDS (F722)	1 1/2"	24"	4X4
HU11	1" (SBK30)	8 SDS (F722)	1 1/2"	24"	4X6
HU14	1" (SBK30)	6 SDS (F722)	1 1/2"	24"	4X8



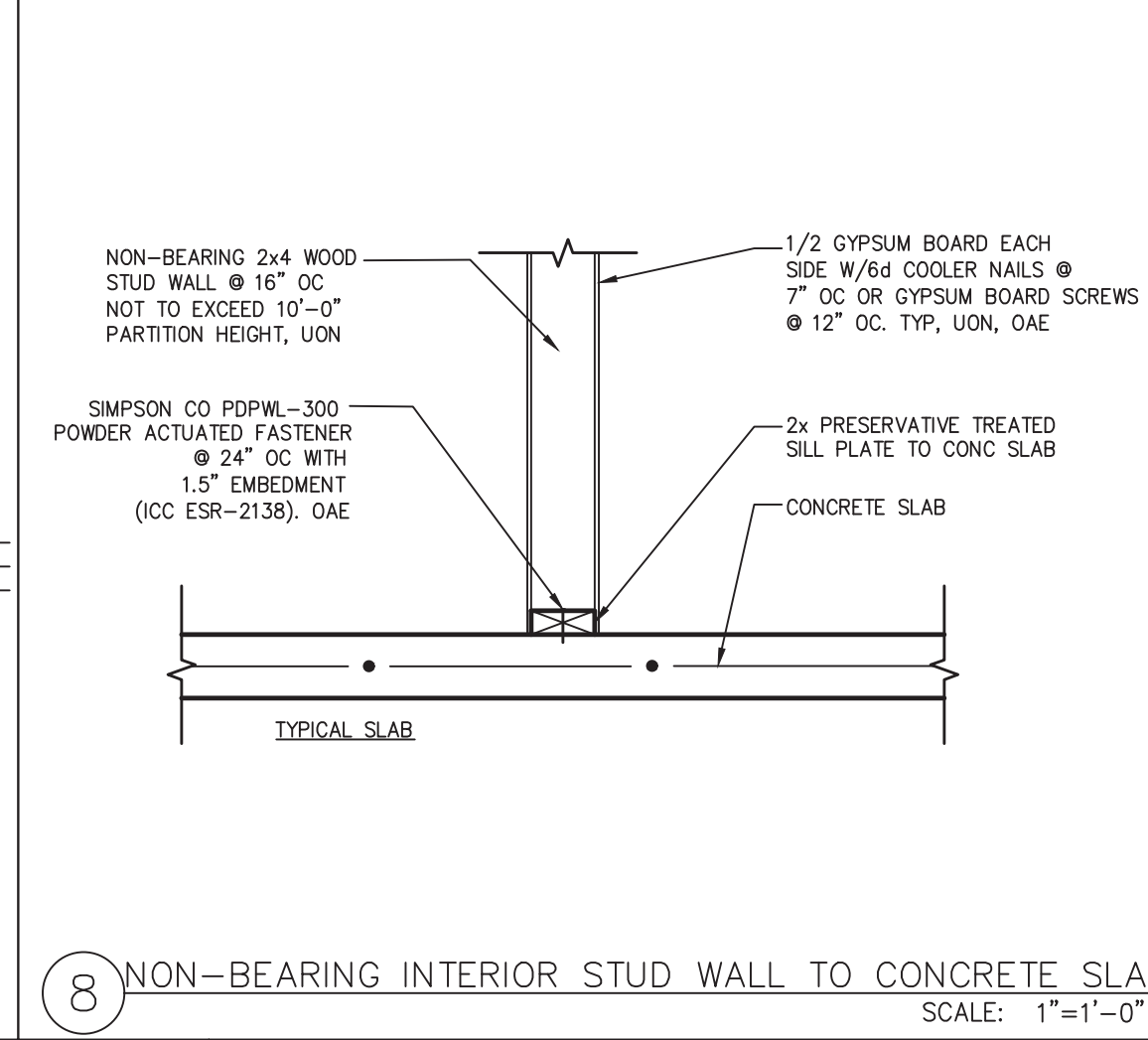
20 DRAG STRAP AT TP TO BM OR TP
SCALE: 3/4"=1'-0"



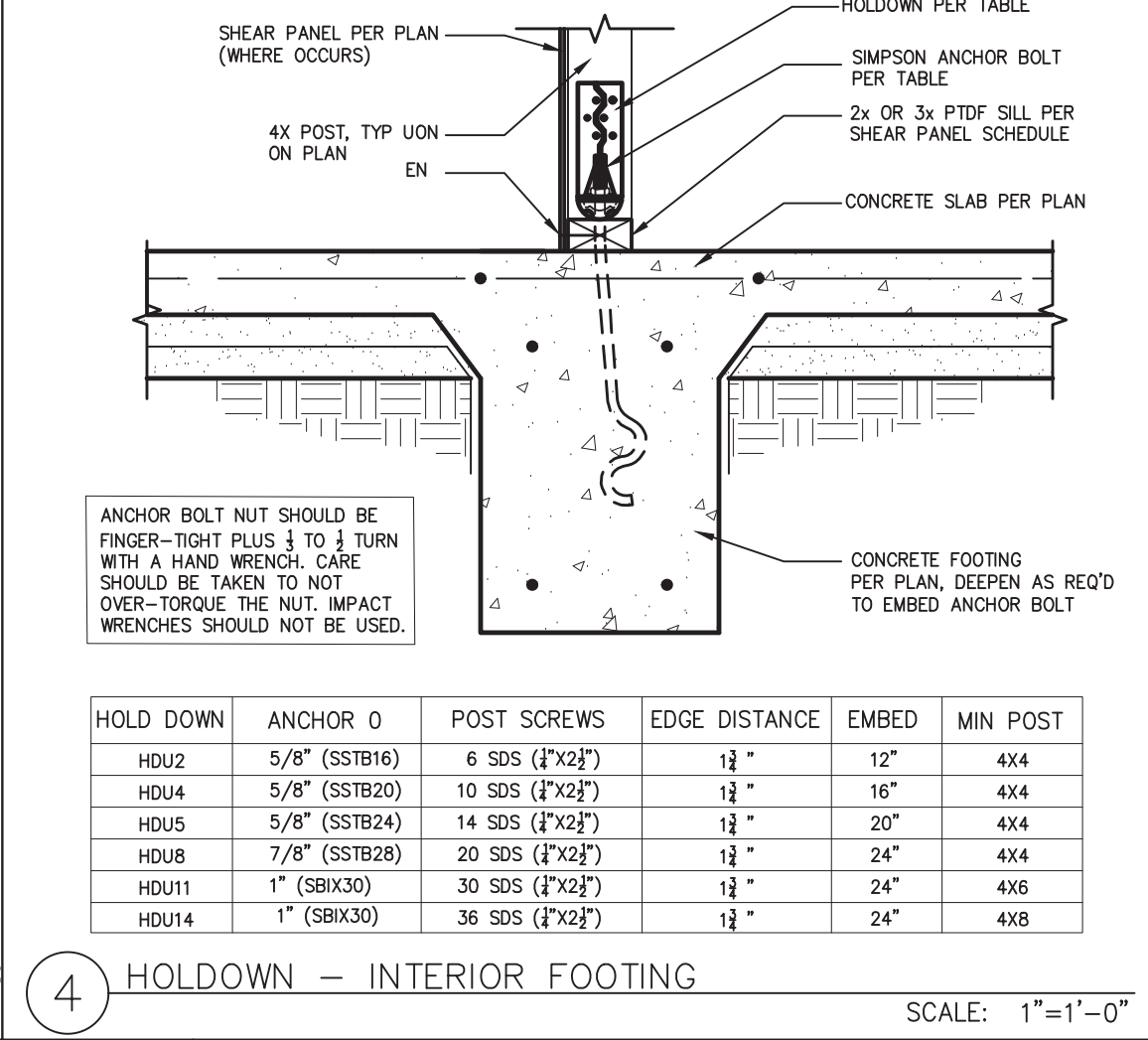
16 TYPICAL SHEAR PANEL
SCALE: NTS



12 DOUBLE TOP-PLATE SPLICE
SCALE: NTS



8 NON-BEARING INTERIOR STUD WALL TO CONCRETE SLAB
SCALE: 1"=1'-0"



4 HOLDOWN - INTERIOR FOOTING
SCALE: 1"=1'-0"

HOLD DOWN	ANCHOR Ø	POST SCREWS	EDGE DISTANCE	EMBED	MIN POST
HU2	5/8" (SSTB16)	6 SDS (F722)	1 1/2"	12"	4X4
HU4	5/8" (SSTB20)	10 SDS (F722)	1 1/2"	16"	4X4
HU5	5/8" (SSTB24)	14 SDS (F722)	1 1/2"	20"	4X4
HU8	7/8" (SSTB28)	20 SDS (F722)	1 1/2"	24"	4X4
HU11	1" (SBK30)	30 SDS (F722)	1 1/2"	24"	4X6
HU14	1" (SBK30)	36 SDS (F722)	1 1/2"	24"	4X8

project
Santa Ana
ADU
address
revisions
description
Foundation & Framing Details
date
MAY 2023
project no.
2022_SANTA_ANA_ADU
drawn by
DESIGN PATH STUDIO
sheet no.
S4