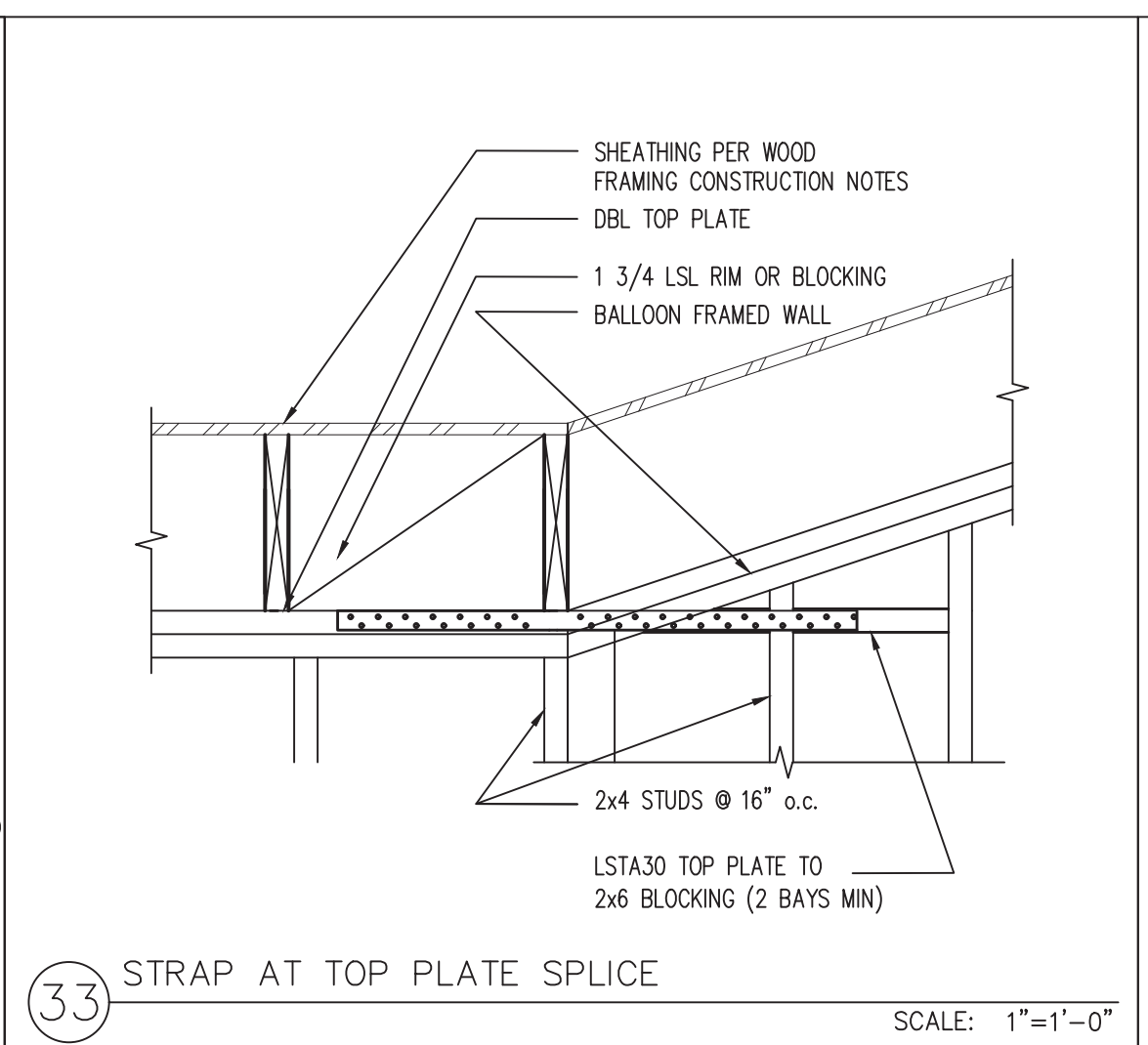
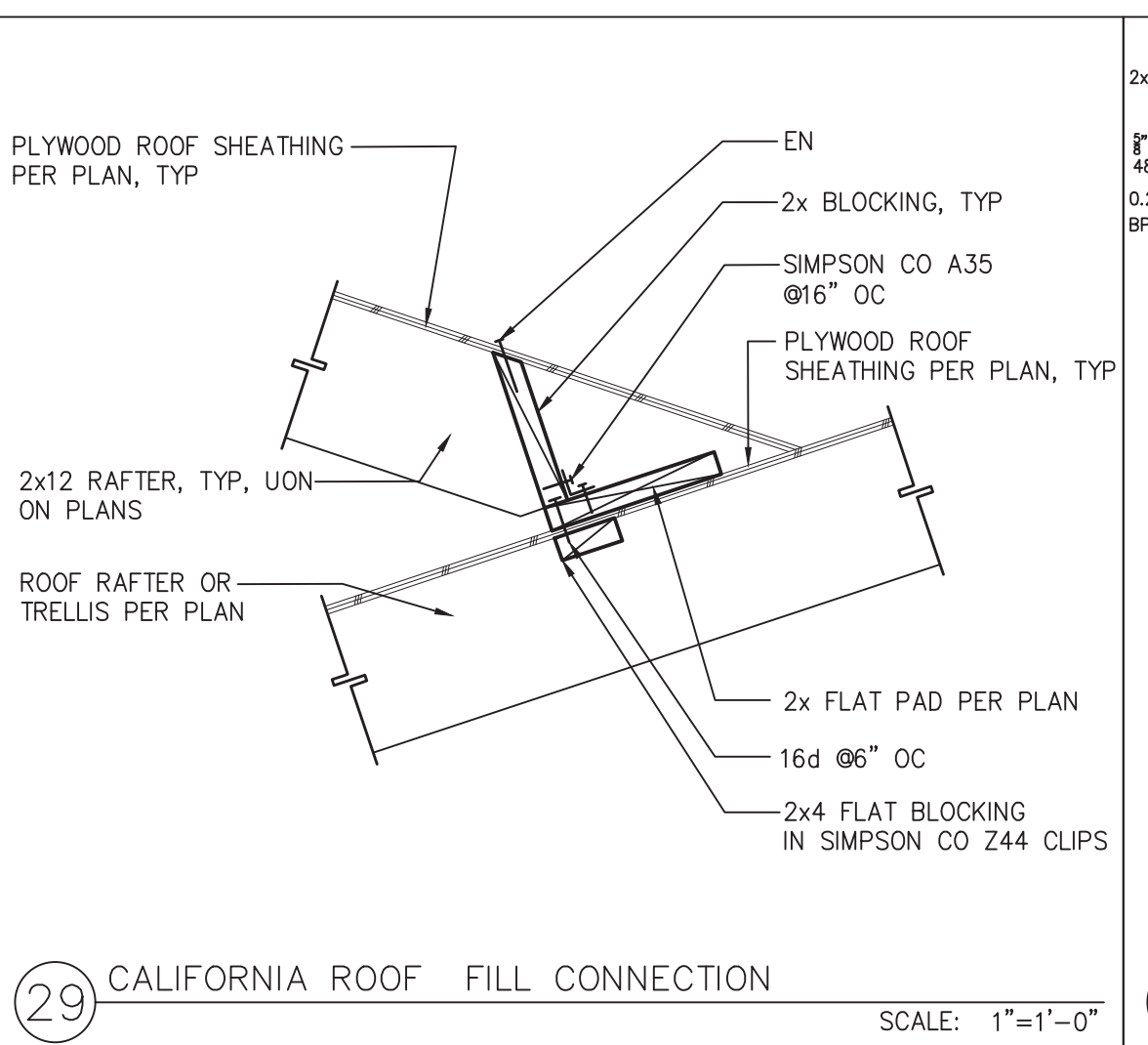


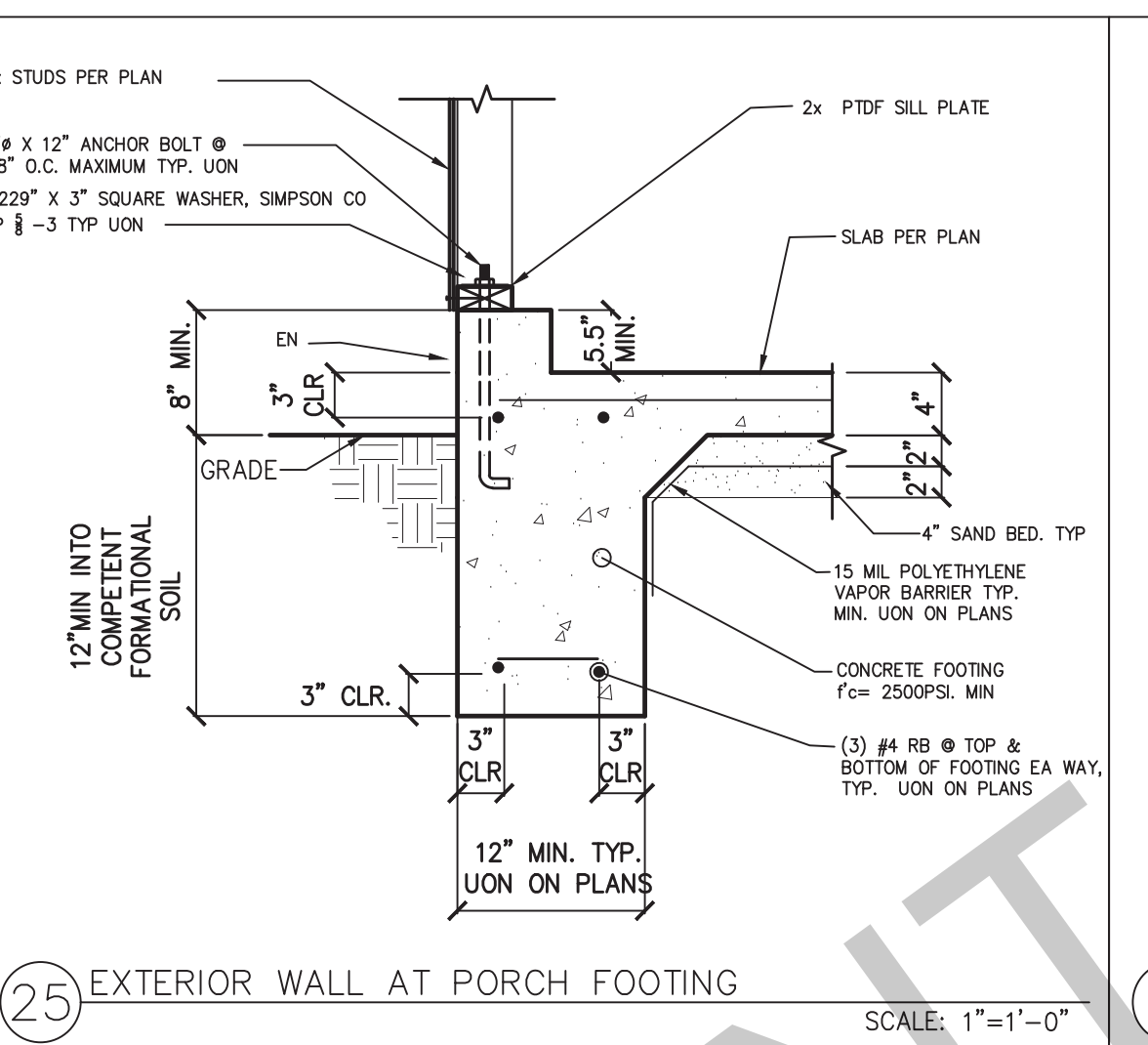
37 KNEE BRACE TRELLIS OPENING CAP
SCALE: 1"=1'-0"



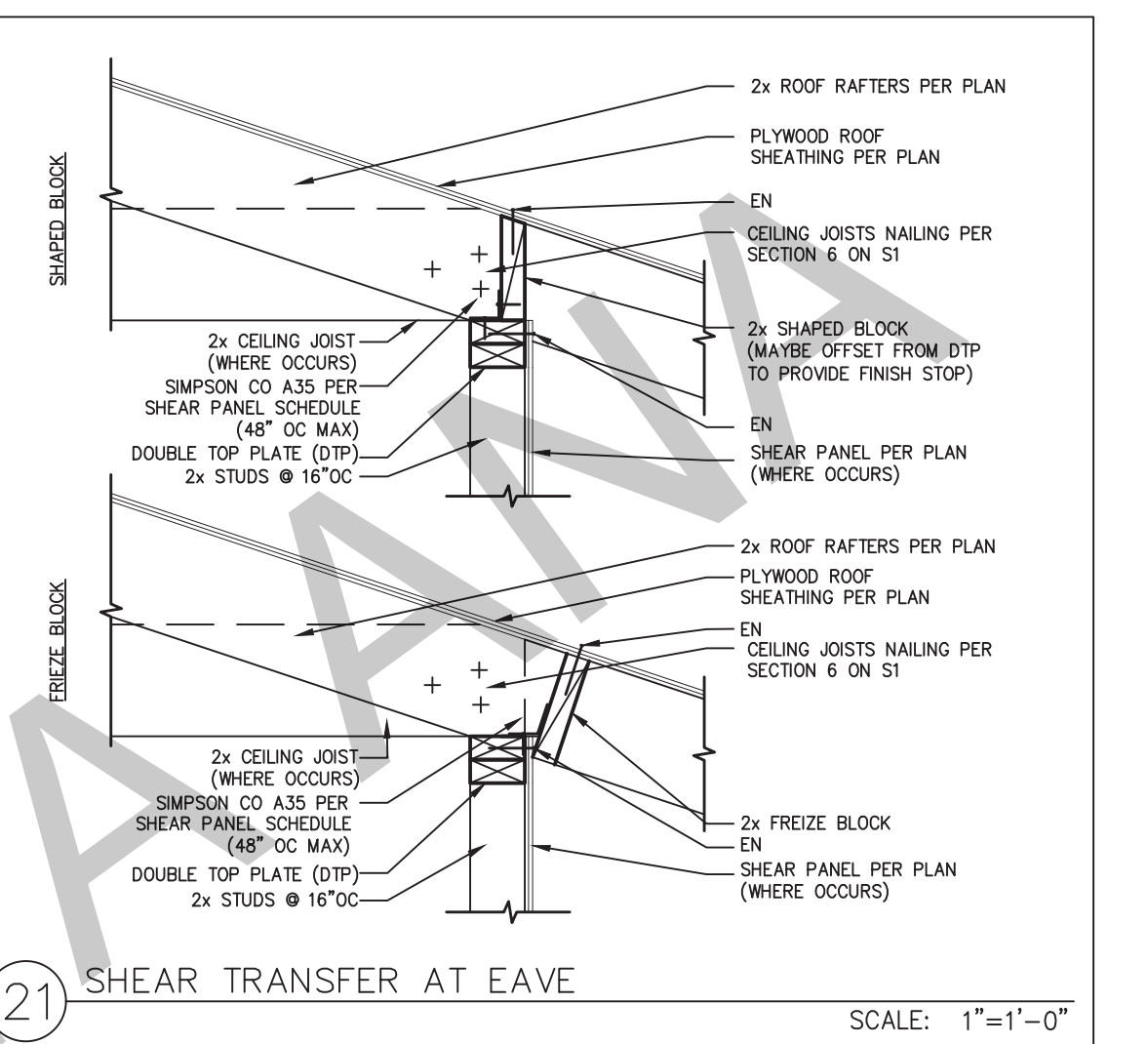
33 STRAP AT TOP PLATE SPLICE
SCALE: 1"=1'-0"



29 CALIFORNIA ROOF FILL CONNECTION
SCALE: 1"=1'-0"



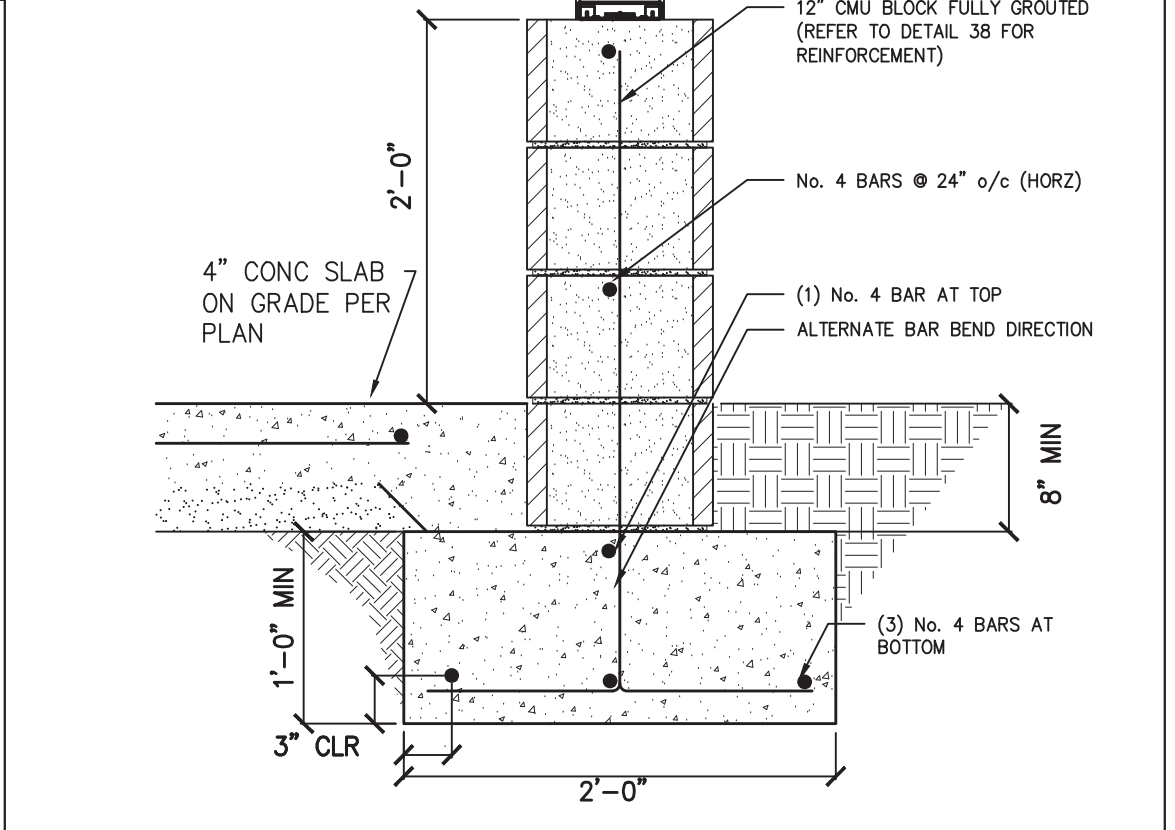
25 EXTERIOR WALL AT PORCH FOOTING
SCALE: 1"=1'-0"



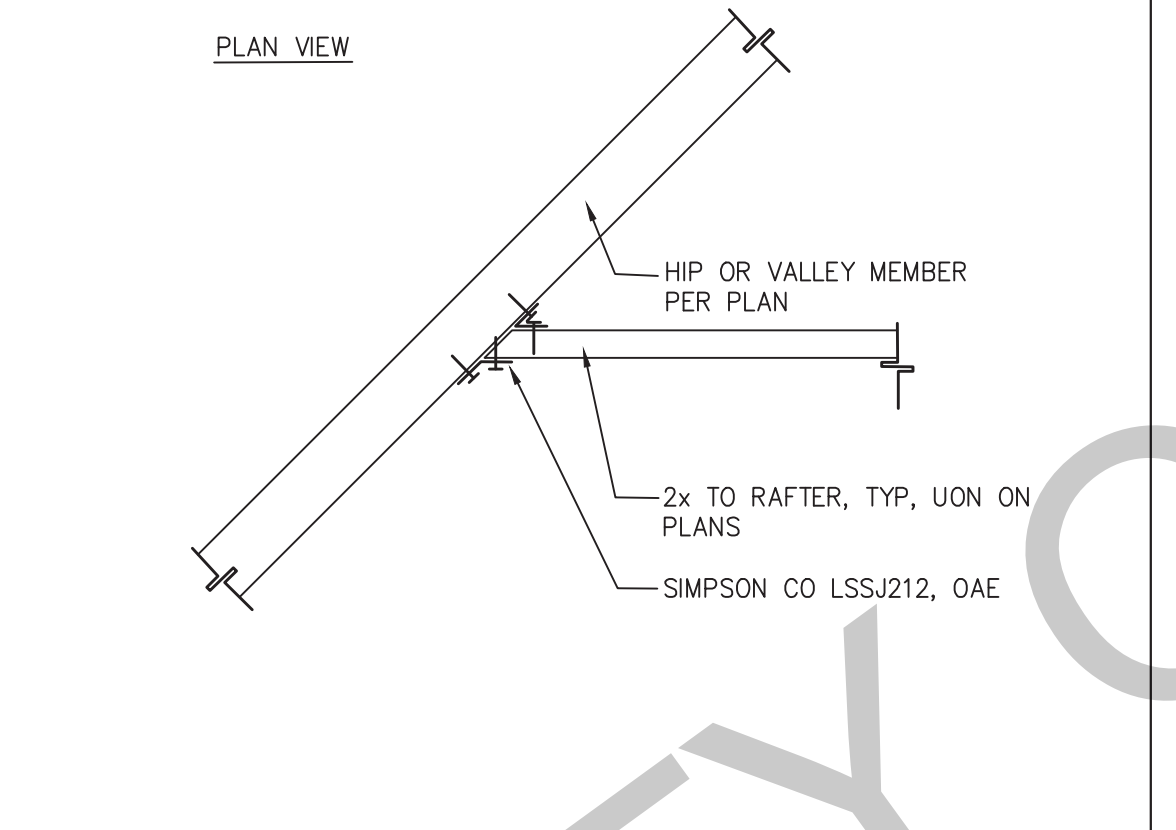
21 SHEAR TRANSFER AT EAVE
SCALE: 1"=1'-0"



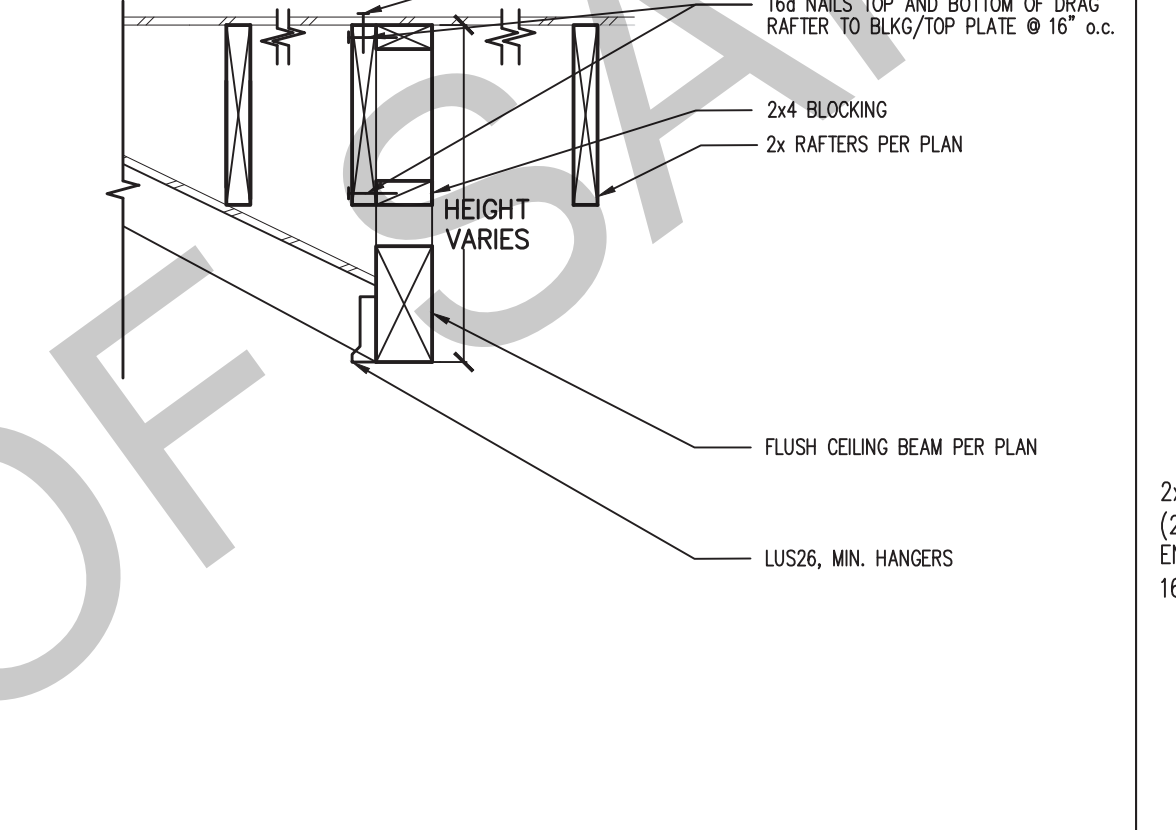
38 CMU WALL AT PORCH LOW WALL
SCALE: 1"=1'-0"



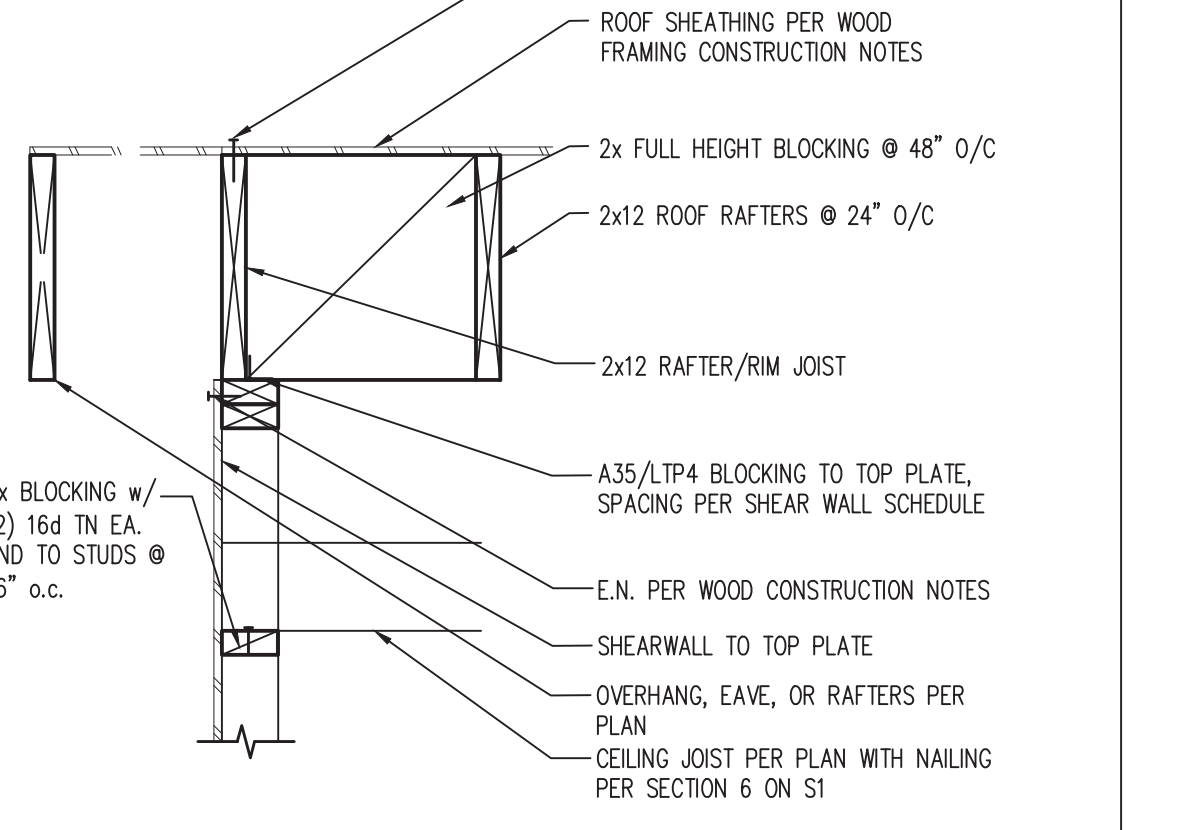
34 CMU WALL AT PORCH LOW WALL
SCALE: 1"=1'-0"



30 RAFTER TO HIP OR VALLEY
SCALE: 1"=1'-0"



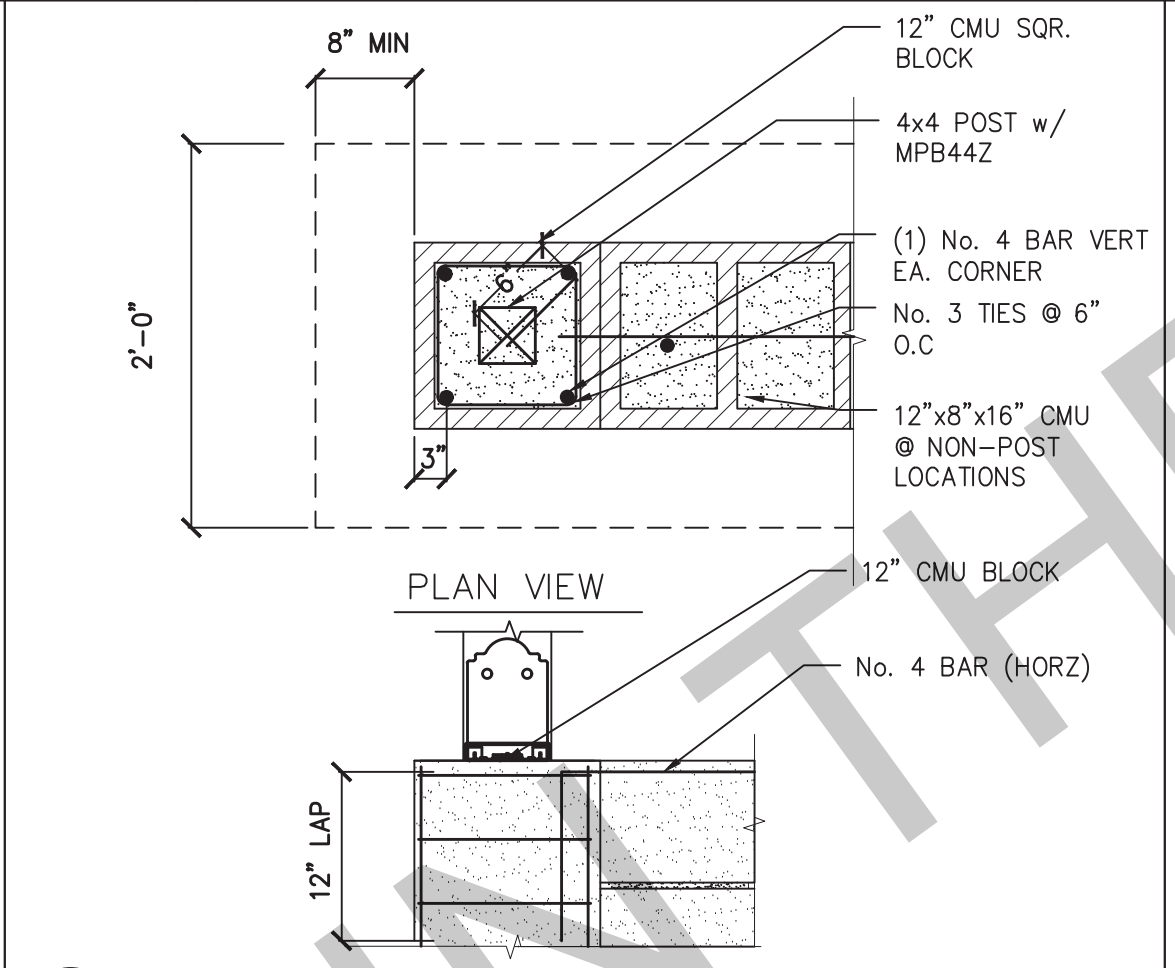
26 ROOF TRANSITION @ CLG. BEAM
SCALE: 1"=1'-0"



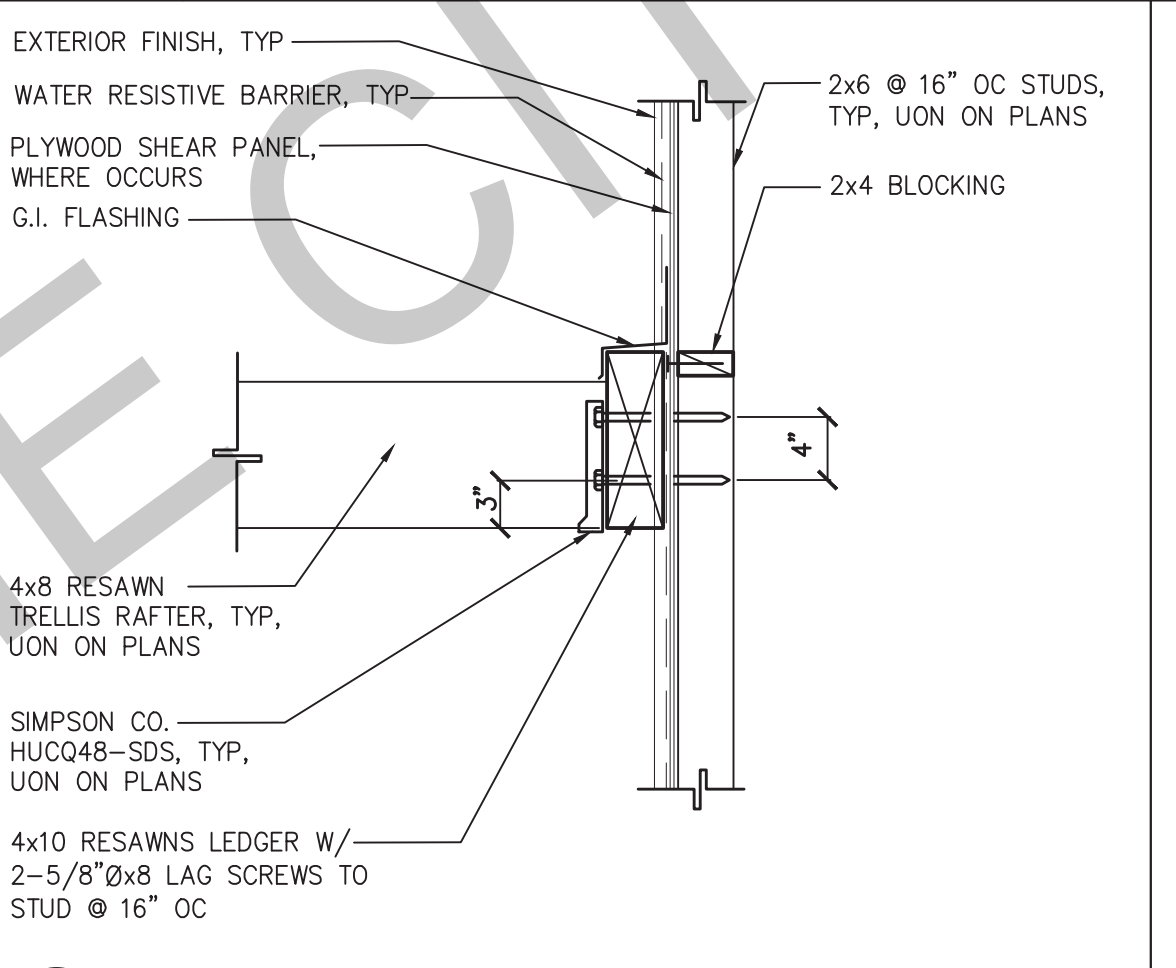
22 PARALLEL RAFTERS AT SHEAR WALL
SCALE: 1"=1'-0"



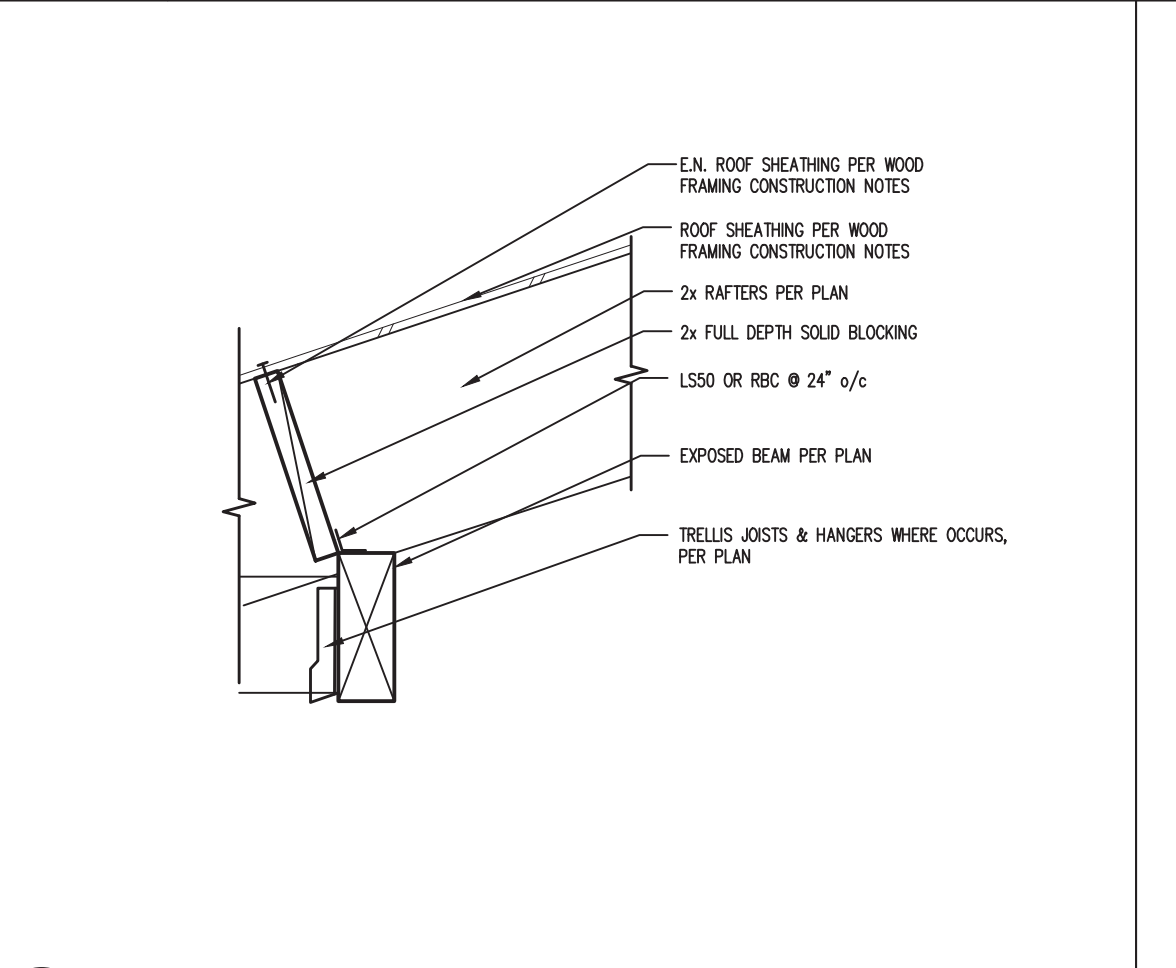
39 CMU WALL AT PORCH LOW WALL (FRONT VIEW)
SCALE: 1"=1'-0"



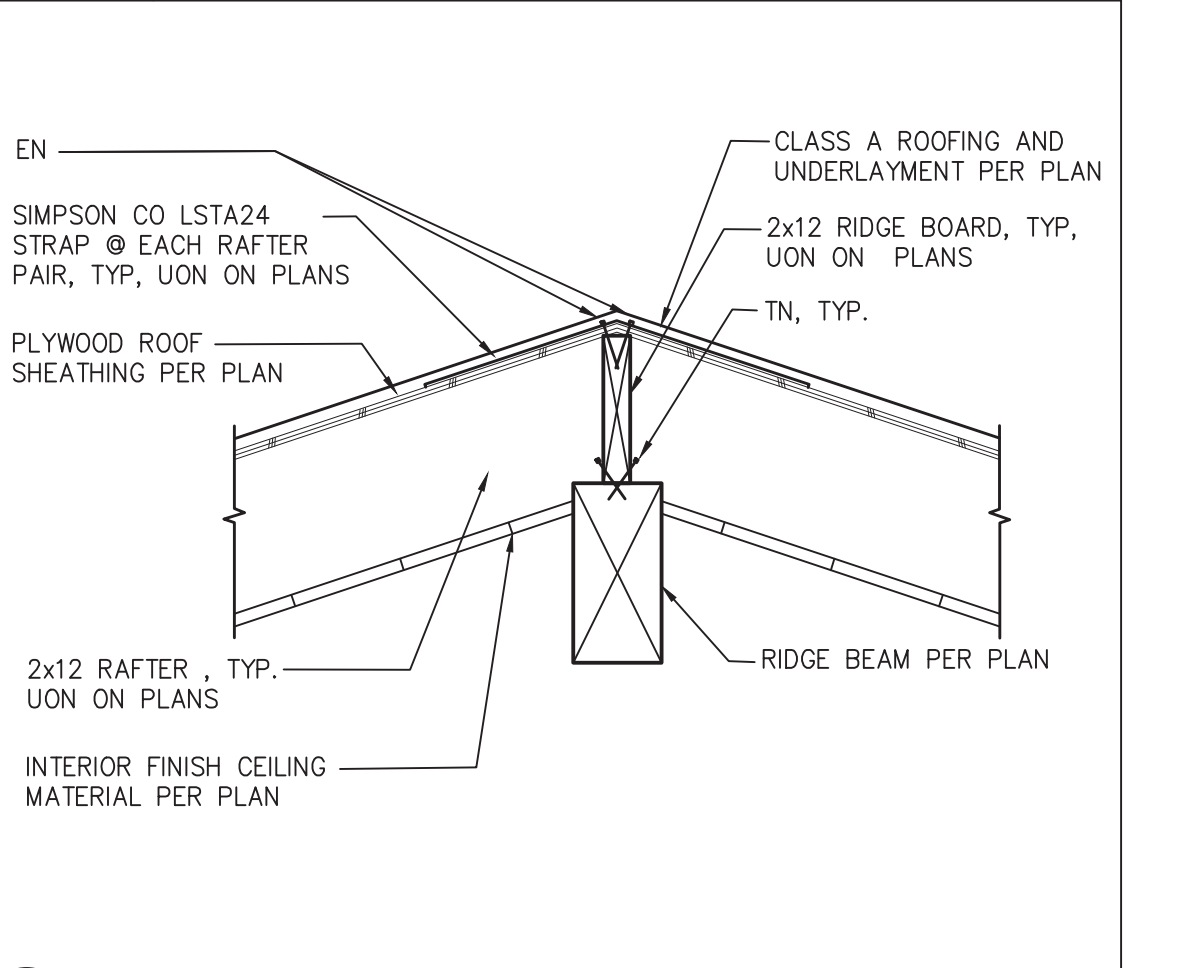
35 CMU WALL AT PORCH LOW WALL (FRONT VIEW)
SCALE: 1"=1'-0"



31 TRELLIS LEDGER AT WALL
SCALE: 1"=1'-0"



27 RAFTERS @ EXPOSED BEAM
SCALE: 1"=1'-0"



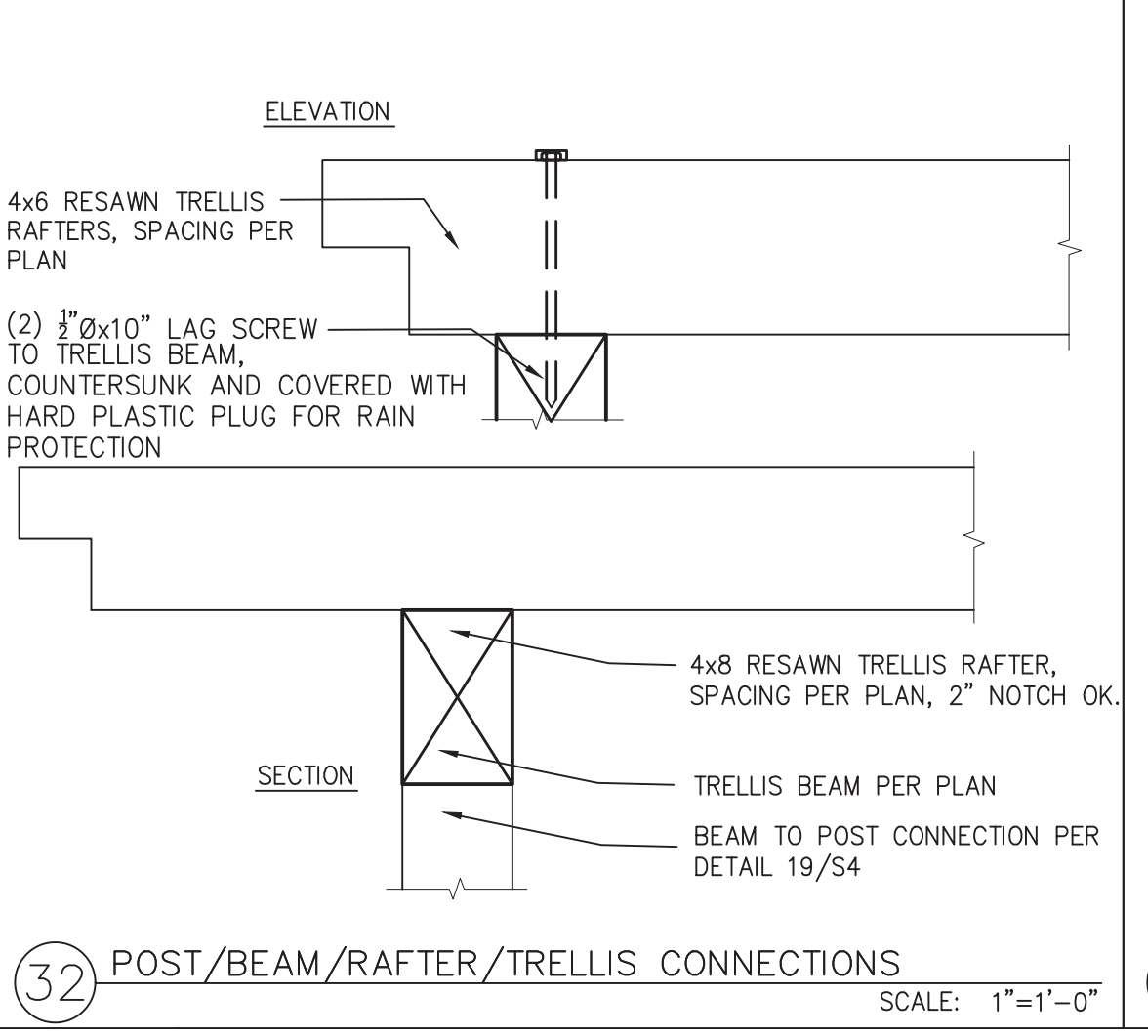
23 RAFTER AT RIDGE BOARD OVER RIDGE BEAM
SCALE: 1"=1'-0"



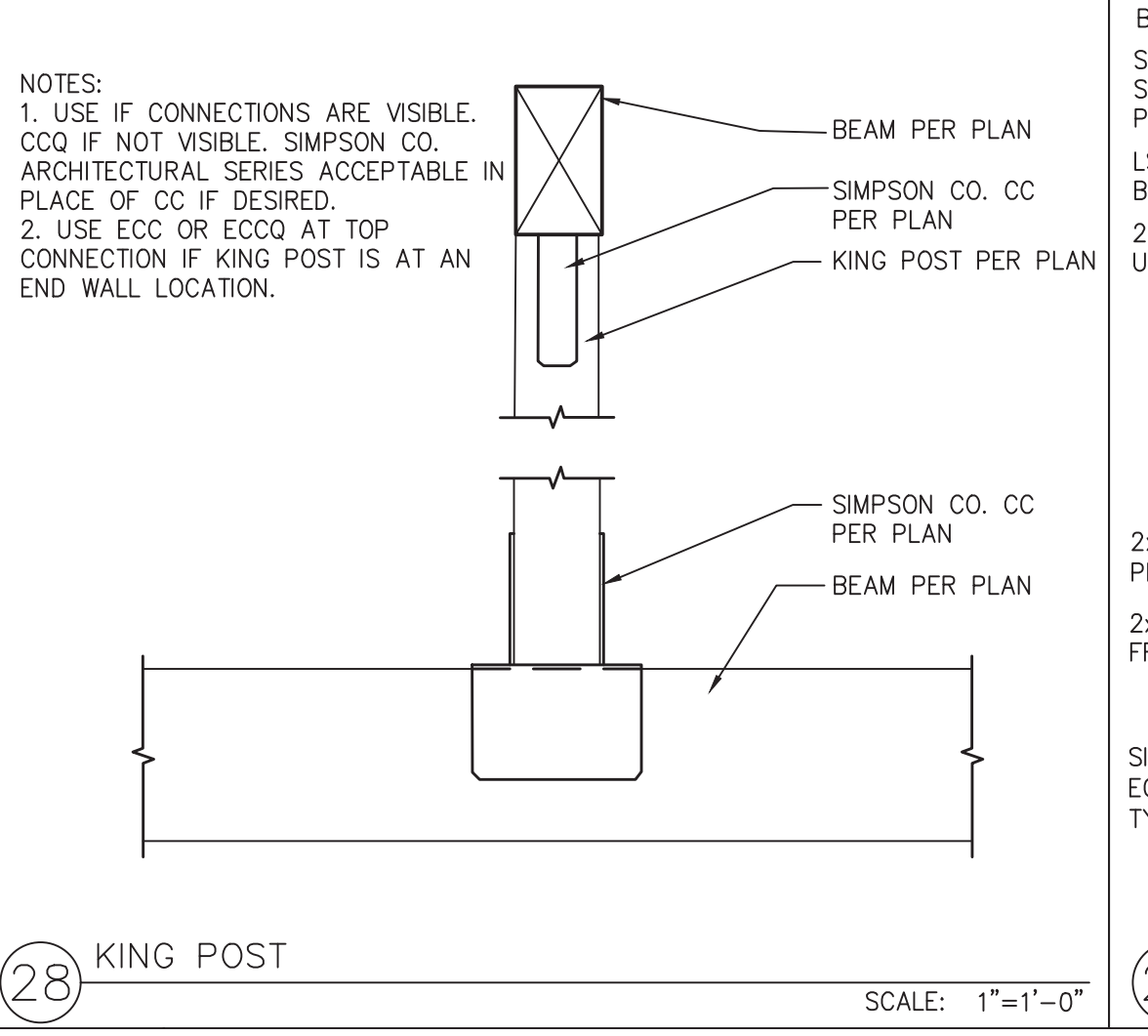
40 POST/BEAM/RAFTER/TRELLIS CONNECTIONS
SCALE: 1"=1'-0"



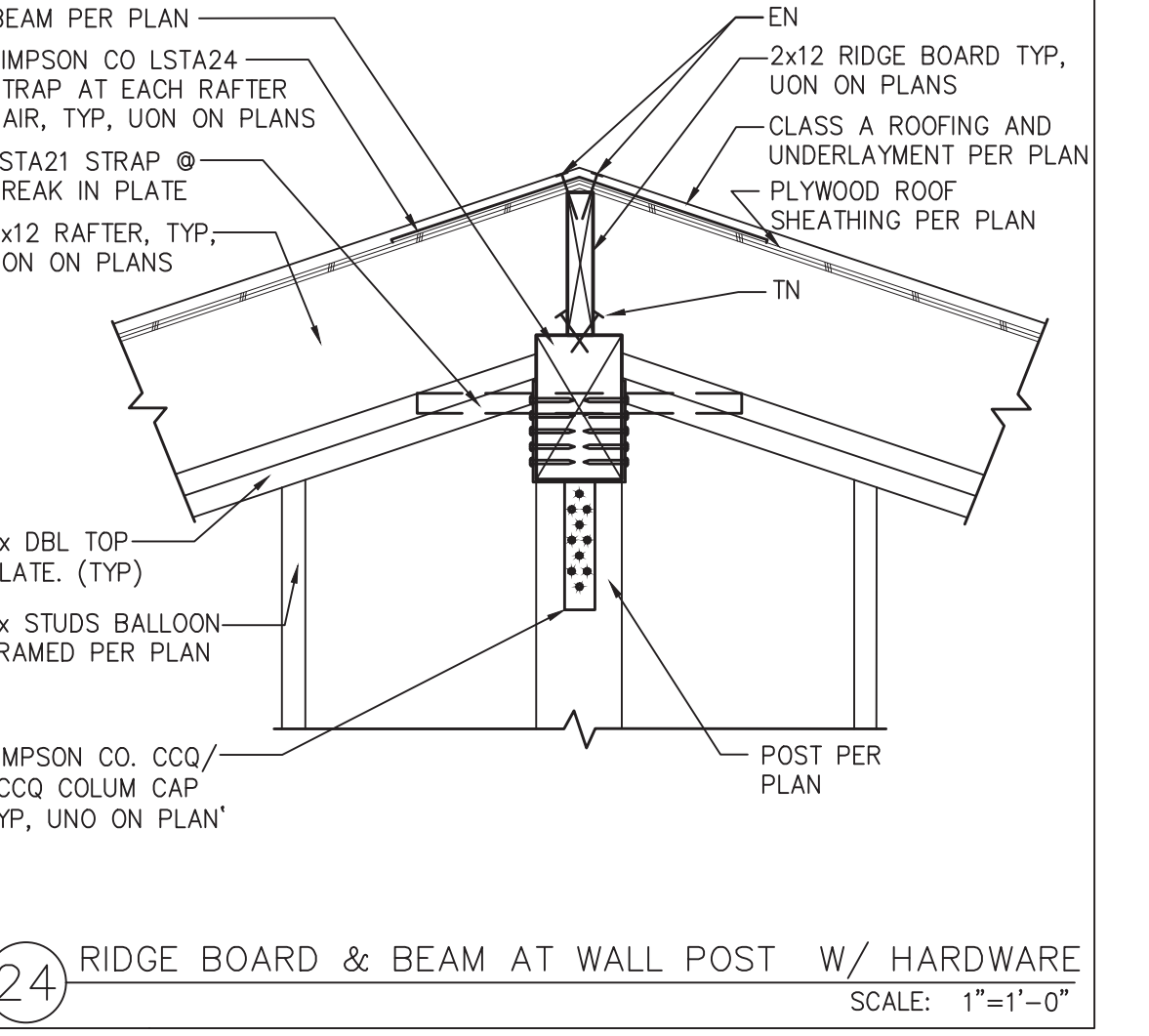
36 POST/BEAM/RAFTER/TRELLIS CONNECTIONS
SCALE: 1"=1'-0"



32 POST/BEAM/RAFTER/TRELLIS CONNECTIONS
SCALE: 1"=1'-0"



28 KING POST
SCALE: 1"=1'-0"



24 RIDGE BOARD & BEAM AT WALL POST W/ HARDWARE
SCALE: 1"=1'-0"

BY USING THESE PERMIT READY CONSTRUCTION DOCUMENTS, THE RECIPIENT ACKNOWLEDGES, ACCEPTS AND VOLUNTARILY AFFIRMS THE FOLLOWING CONDITIONS:
1. THE USE OF THIS INFORMATION IS RESTRICTED TO THE ORIGINAL PROJECT FOR WHICH IT WAS PREPARED FOR THE PERMIT READY ACCESSORY DWELLING UNIT (ADU) PROGRAM FOR THE CITY OF SANTA ANA ONLY. THIS IS A LIMITED SET OF STANDARDIZED ADU PLANS AND SPECIFICATIONS APPROVED BY THE CITY OF SANTA ANA BUILDING DEPARTMENT. BUILDING CODES DO CHANGE, OVER TIME AND RECIPIENT SHALL ENSURE FULL COMPLIANCE UNDER ALL CODES THEN IN EFFECT AT THE TIME OF THE SUBJECT PERMIT. THIS DOES NOT ELIMINATE OR REDUCE THE RECIPIENT'S RESPONSIBILITY TO VERIFY ANY AND ALL INFORMATION RELEVANT TO THE RECIPIENT'S WORK AND RESPONSIBILITY ON THIS PROJECT. DESIGN PATH STUDIO SHALL NOT BE RESPONSIBLE FOR TRANSLATION ERRORS. DO NOT USE THESE CONSTRUCTION DOCUMENTS IF THE PERMIT HAS EXPIRED OR IS REVOKED AT ALL.
2. THE RECIPIENT RECOGNIZES AND ACKNOWLEDGES THAT THE USE OF THIS INFORMATION WILL BE AT THEIR SOLE RISK AND WITHOUT ANY LIABILITY OR LEGAL EXPOSURE TO DESIGN PATH STUDIO. NO WARRANTIES OF ANY NATURE, WHETHER EXPRESS OR IMPLIED, SHALL ATTACH TO THESE DOCUMENTS AND THE INFORMATION CONTAINED THEREON. ANY USE, REUSE, OR ALTERATION OF THESE DOCUMENTS BY THE RECIPIENT OR BY OTHERS WILL BE AT THE RECIPIENT'S RISK AND FULL LEGAL RESPONSIBILITY. FURTHERMORE, THE RECIPIENT WILL, TO THE FULLEST EXTENT PERMITTED BY LAW, DEFEND, INDEMNIFY AND HOLD DESIGN PATH STUDIO AND ITS ARCHITECTS HARMLESS FROM ANY AND ALL CLAIMS, SUITS, LIABILITY, DEMANDS, JUDGMENTS, OR COSTS ARISING OUT OF OR RESULTING THERE FROM ANY USE OF THESE CONSTRUCTION DOCUMENTS FOR OR ON ACCOUNT OF ANY INJURY, DEATH, DAMAGE OR LOSS TO PERSONS OR PROPERTY, DIRECT OR CONSEQUENTIAL DAMAGES IN ANY AMOUNT. THIS INDEMNITY DOES NOT APPLY TO THE SOLE NEGLIGENCE OR WILLFUL MISCONDUCT OF DESIGN PATH STUDIO OR ITS ARCHITECTS.
3. THE DESIGNS REPRESENTED BY THESE PLANS ARE COPYRIGHTED AND ARE SUBJECT TO COPYRIGHT PROTECTION.
4. IF THE RECIPIENT DOES NOT AGREE WITH THE ABOVE CONDITIONS, DO NOT PROCEED WITH CONSTRUCTION OF AN ADU OR OTHER IMPROVEMENT UNDER THESE PLANS AT ALL.

project
Santa Ana
ADU
address
revisions
description
date MAY 2023
project no. 2022_SANTA_ANA_ADU
drawn by DESIGN PATH STUDIO
sheet no. S5