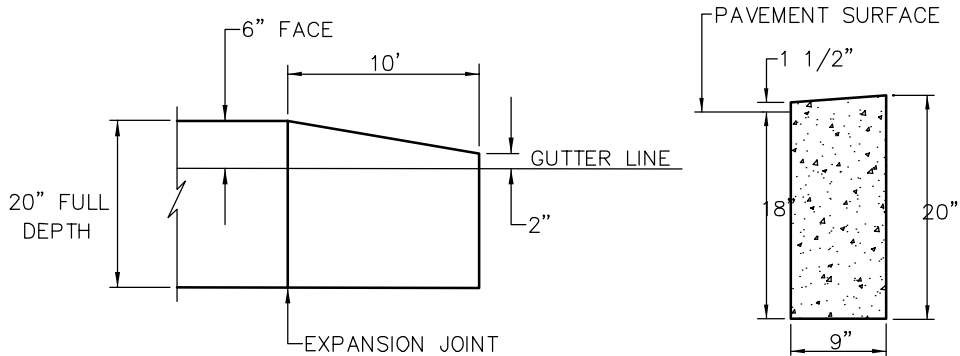


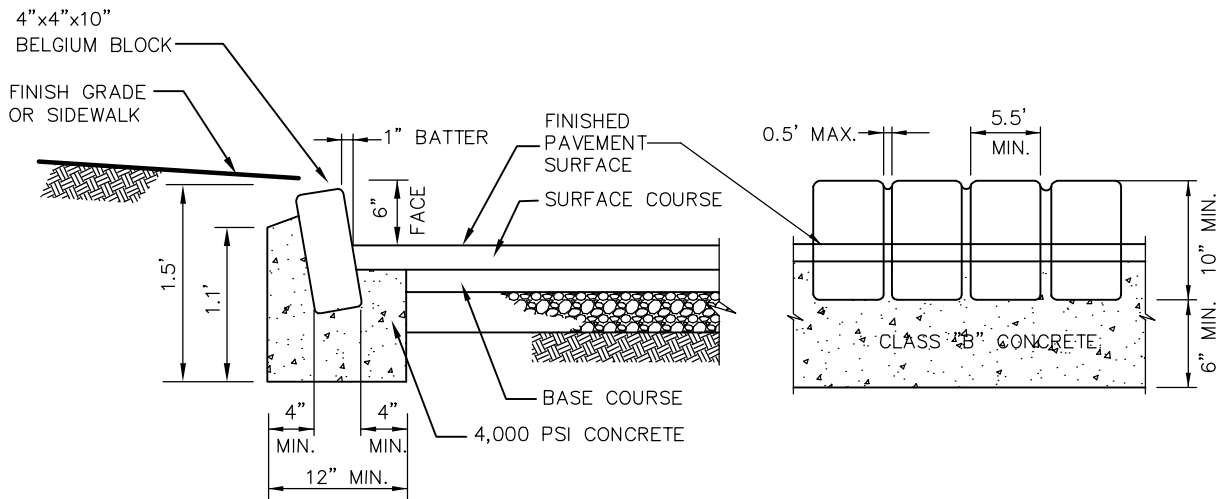
STATE PAVEMENT DETAIL
N.T.S.



CURBING END SECTION **SECTION A-A**

8" x 9" x 20" CONCRETE CURB DETAILS

N.T.S.



NOTE: JOINTS TO BE 0.5" WIDE USING 1-2 MIX CEMENT MORTAR STRUCK WITH CONCRETE TOOL

TYPICAL BELGIUM BLOCK CURB

N.T.S.

ROAD OPENING RESTORATION
DETAILS
FOR
SOMERVILLE BOROUGH

Cole & Associates, LLC
3986 Princeton Pike, Lawrenceville, NJ 08648
EMAIL: mcoleg@micoleandassociates.com
PHONE (609) 306-2877 FAX (609) 688-0363

BY: Michael J. Cole Date _____
New Jersey Professional Engineer License No. 32227
CERTIFICATE OF AUTHORIZATION No. 21CA210200

| | | | |
|--------------|----------|-----------|------------|
| DATE: | 12-12-12 | | |
| SCALE: | AS SHOWN | | |
| DESIGNED BY: | M.J.C. | | |
| DRAWN BY: | E.N. | | |
| CHECKED BY: | M.J.C. | | |
| JOB NO. | | REVISIONS | AUTH. DATE |