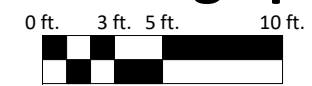
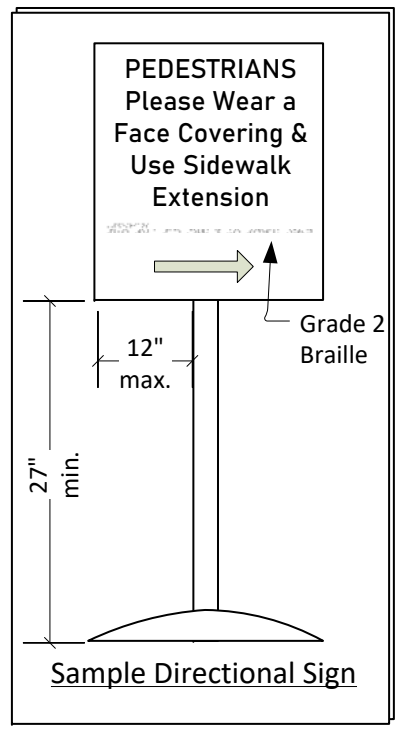
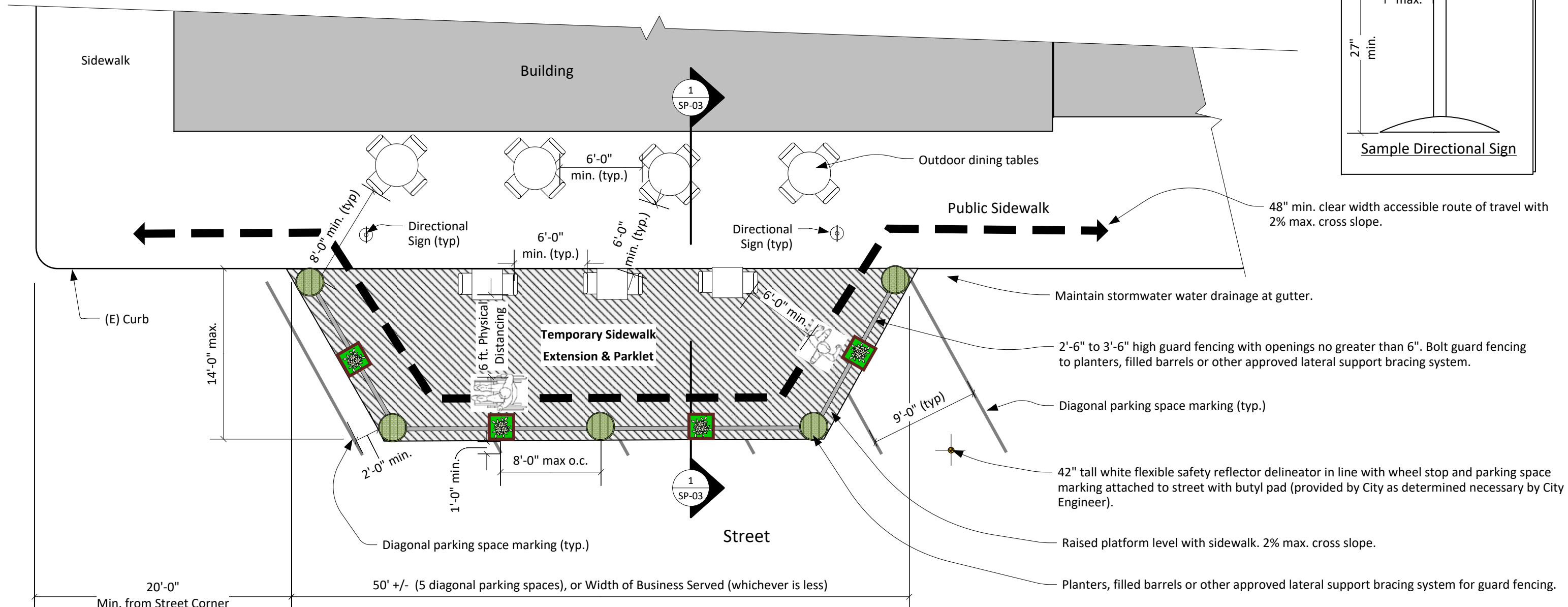


- Notes:**
- Sidewalk extension shall not be located in front of red painted curbs, fire hydrants, fire department connections or within 20 feet of a street corner.
  - At least 5% and not less than one dining seating space shall be made accessible to disabled individuals (e.g. 30" x 48" min. clear and level ground space, 28" – 34" table height with knee and toe clearance, etc.)
  - Any modifications from the standards herein must be approved by the City Engineer and the City Planning and the Community Development Director.
  - Along the street side of the parklet or sidewalk extension, brittle materials such as lattice, pallets, or thin wood boards without cross-bracing support are not acceptable for guard fencing.

## City of Sonoma Standard Plan for Temporary Sidewalk Extensions at Parallel Parking Spaces

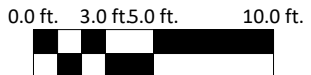


**SP-01**  
REV 12/8/20

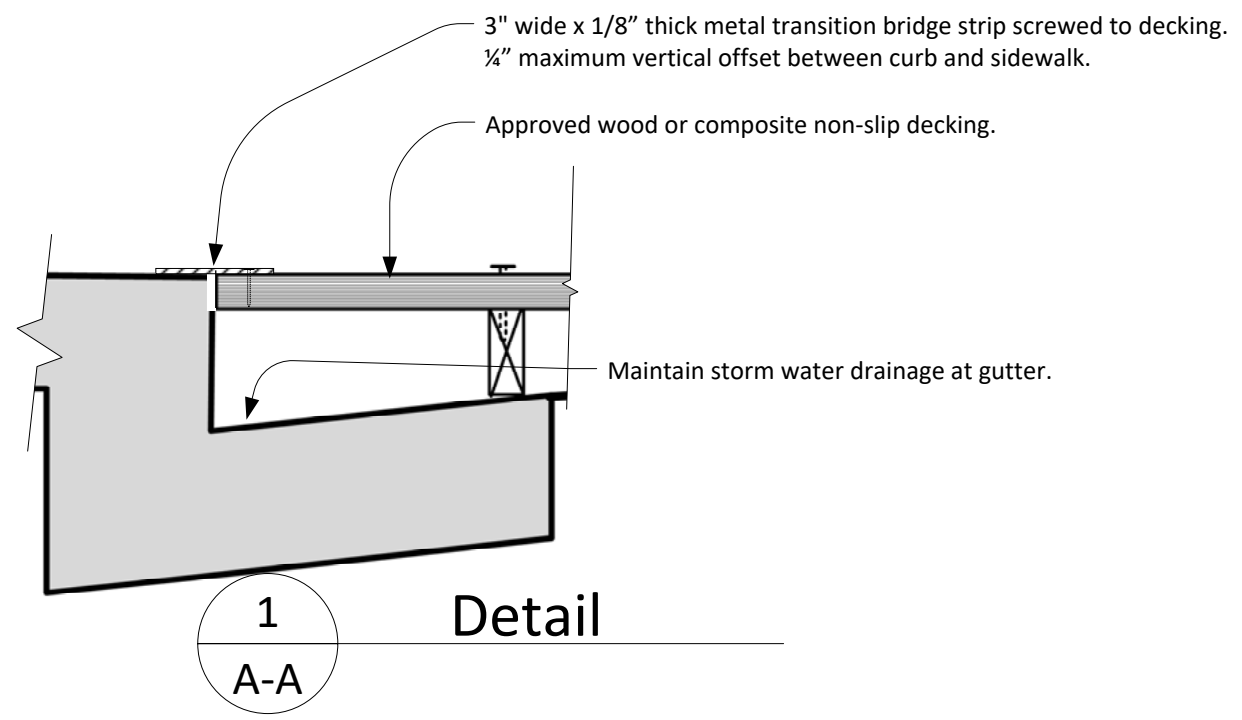
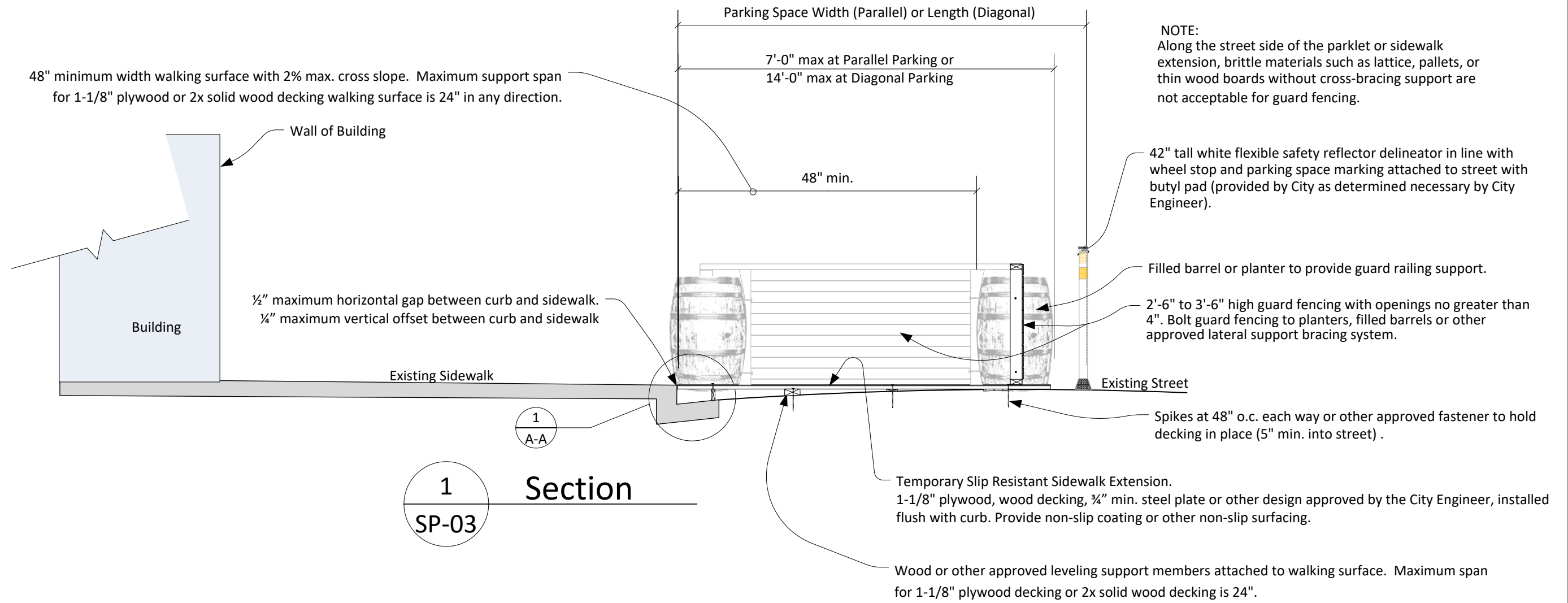


- Notes:**
- Sidewalk extensions shall not be located in front of red painted curbs, fire hydrants, fire department connections or within 20 feet of a street corner.
  - At least 5% and not less than one dining seating space shall be made accessible to disabled individuals (e.g. 30" x 48" min. clear and level ground space, 28" – 34" table height with knee and toe clearance, etc.)
  - Any modifications from the standards herein must be approved by the City Engineer and the Community Development Director.
  - Along the street side of the parklet or sidewalk extension, brittle materials such as lattice, pallets, or thin wood boards without cross-bracing support are not acceptable for guard fencing.

## City of Sonoma Standard Plan for Temporary Sidewalk Extension/Parklet at Diagonal Parking Spaces



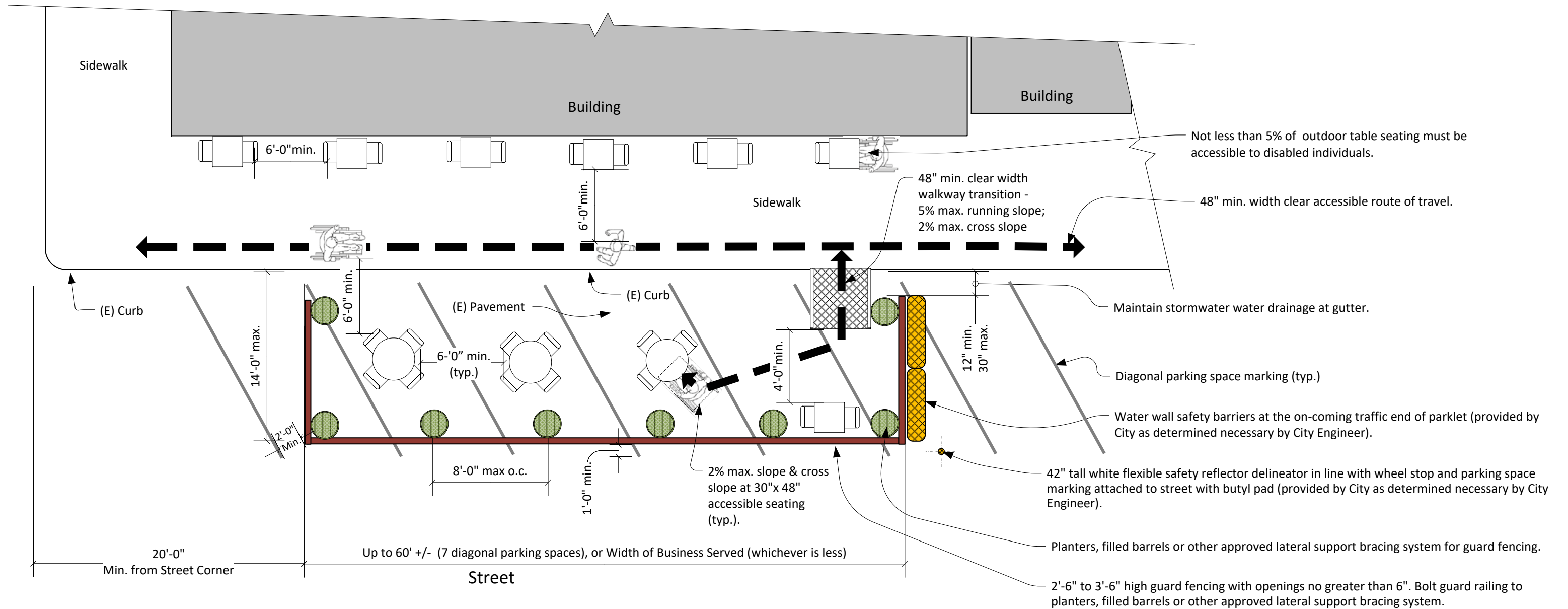
**SP-02**  
REV 12/8/20



City of Sonoma  
Standard Plan for  
**Temporary Sidewalk  
Extensions**



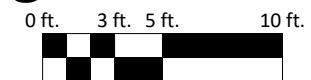
SP-03  
REV 12/8/20



**Notes:**

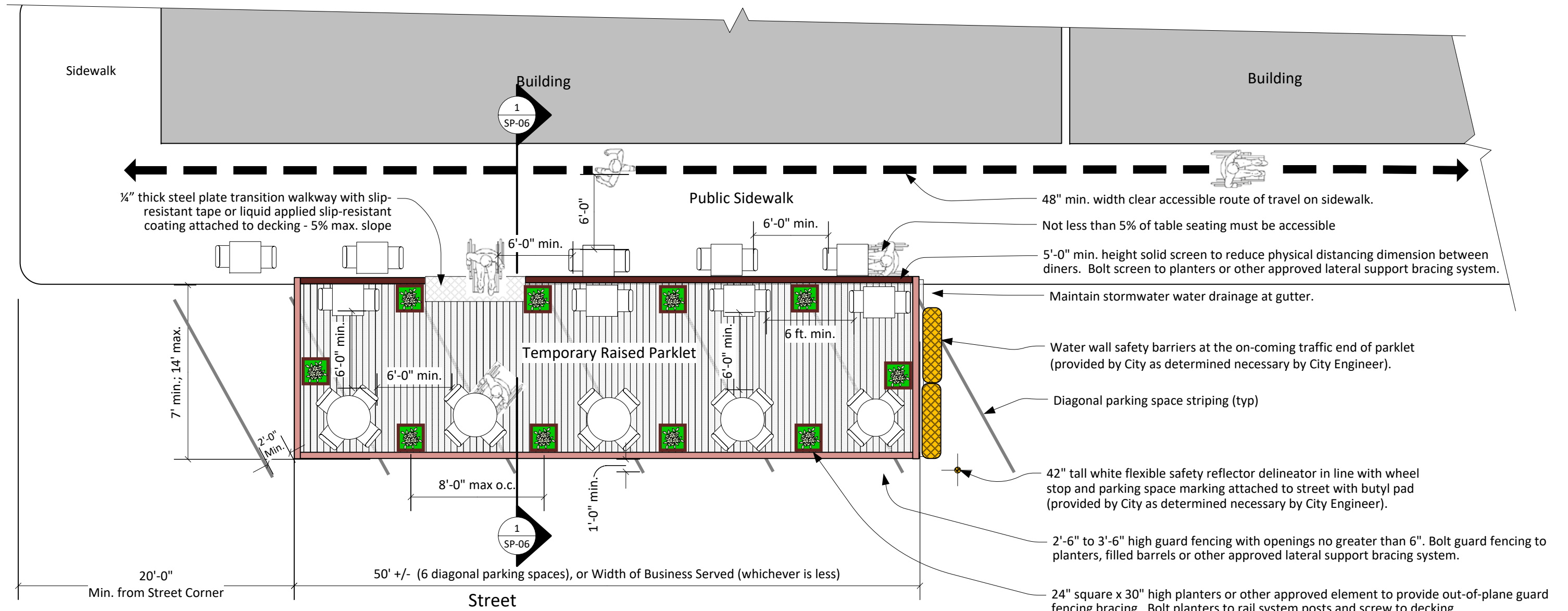
- Parklets shall not be located in front of red painted curbs, fire hydrants, fire department connections or within 20 feet of a street corner.
- At least 5% and not less than one dining seating space shall be made accessible to disabled individuals (e.g. 30" x 48" min. clear and level ground space, 28" – 34" table height with knee and toe clearance, etc.)
- Any modifications from the standards herein must be approved by the City Engineer and the City Planning & Community Development Director.
- Along the street side of the parklet or sidewalk extension, brittle materials such as lattice, pallets, or thin wood boards without cross-bracing support are not acceptable for guard fencing.

## City of Sonoma Standard Plan for Street Parklet (no platform) at Diagonal Parking

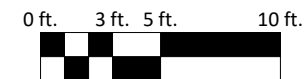


**SP-04**

REV 12/8/20



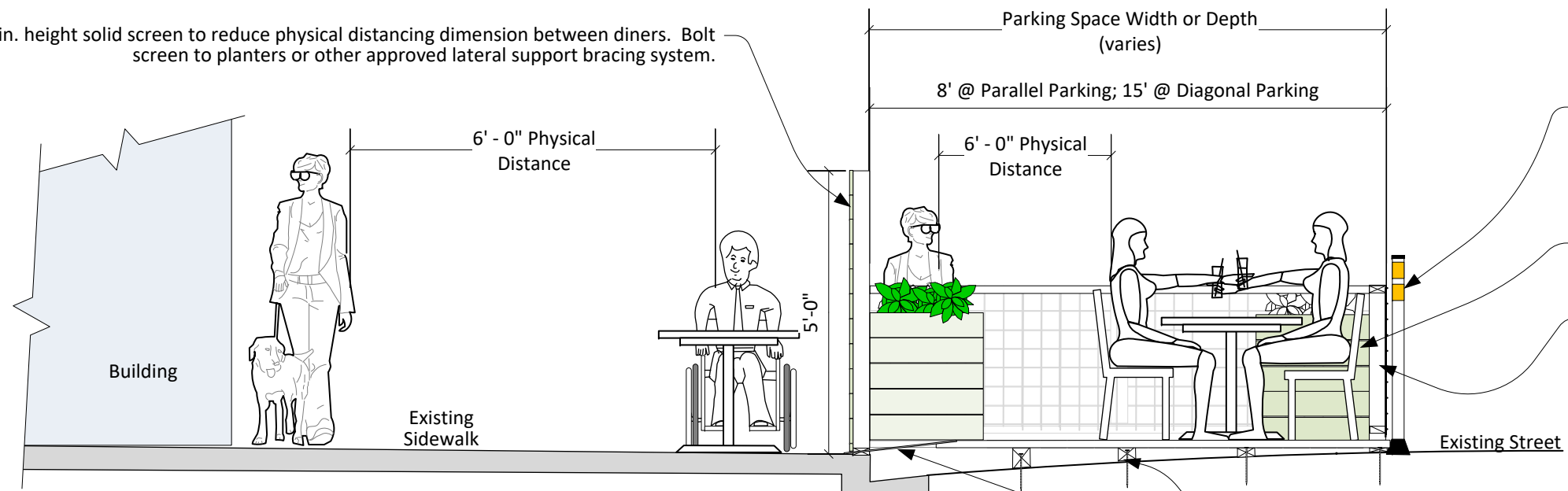
# City of Sonoma Standard Plan for Temporary Raised Parklet at Diagonal Parking Spaces



SP-05

REV 12/8/20

5'-0" min. height solid screen to reduce physical distancing dimension between diners. Bolt screen to planters or other approved lateral support bracing system.



1 Section  
SP-06

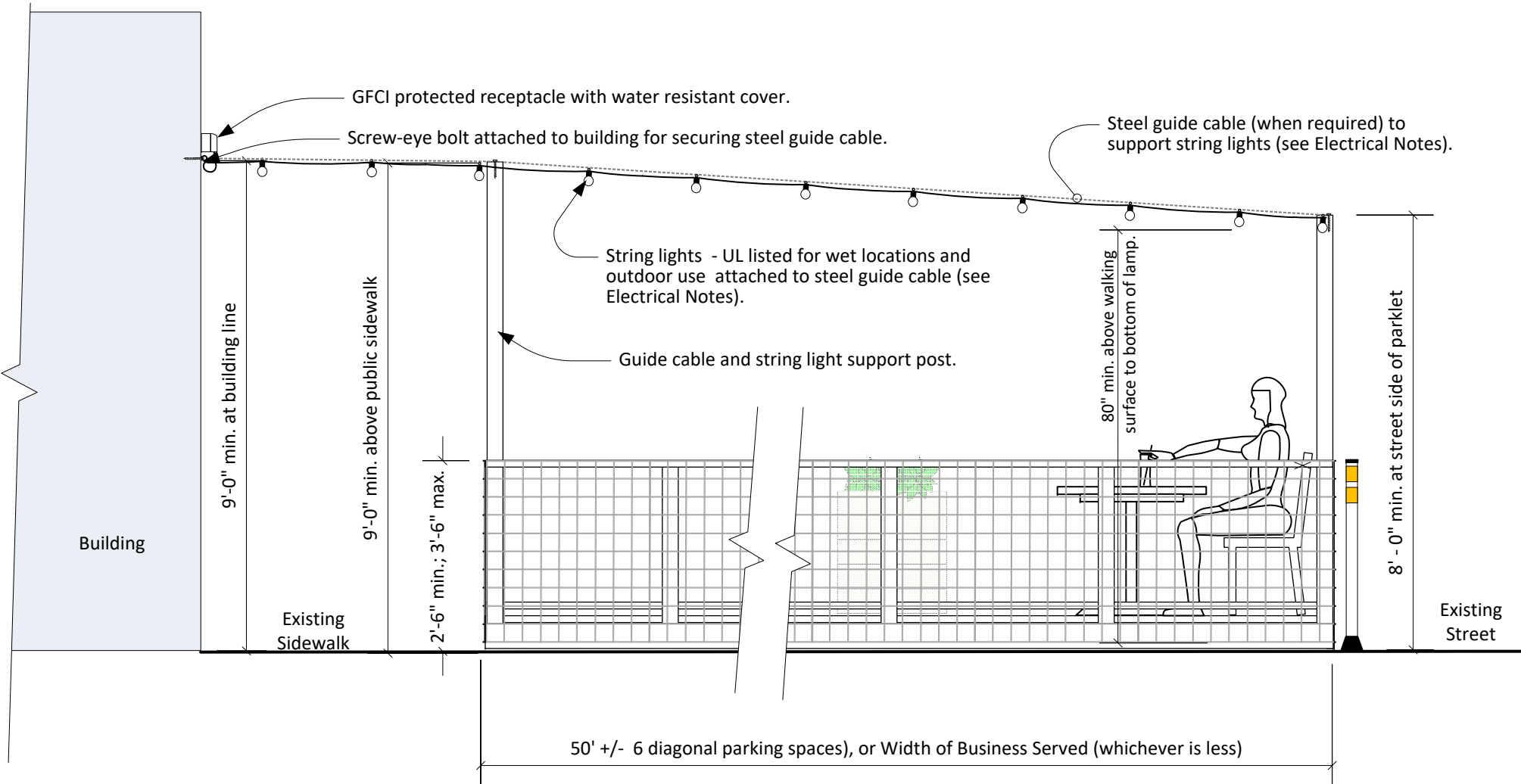
42" tall white flexible safety reflector delineator in line with wheel stop and parking space marking attached to street with butyl pad (provided by City as determined necessary by City Engineer).

Filled barrel or planter to provide guard railing support.

2'-6" to 3'-6" high guard fencing with openings no greater than 6". Bolt guard fencing to planters, filled barrels or other approved lateral support bracing system. Along the street side of the parklet or sidewalk extension, brittle materials such as lattice, pallets, or thin wood boards without cross-bracing support are not acceptable for guard fencing.

Wood leveling support for deck attached to street with spikes (5" min into street) at 24" o.c. or other approved fastener.

1/4" steel plate transition ramp with slip-resistant tape or liquid applied slip-resistant coating, attached to decking - 5% max. slope and 48" min. clear width



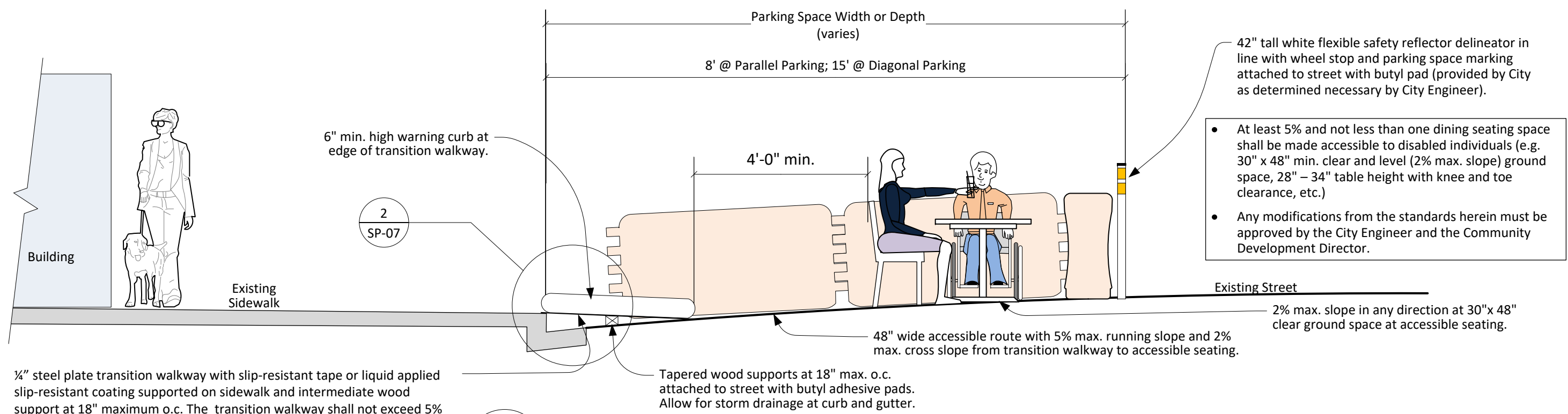
2 Street Elevation – Raised Parklet with String Lights  
SP-06

Electrical Notes	
•	String lights may be installed for a period not to exceed of 90 days. Remove and inspect wire and lamp sockets for degradation due to weather, UV light or other damage prior every 90 days and prior to any re-installation.
•	Ground Fault Circuit Interrupter protection (GFCI) is required on the circuits or outlets serving the string lights. A receptacle cover must be in place to prevent the entry of water.
•	String lights must comply with UL Standard 588 and be listed for use in outdoor and wet locations.
•	String lights must be LED luminaires and controlled by an astronomical time clock <u>or</u> by a photo cell and a time clock.
•	String lights must be capable of being turned off by a readily accessible switch or remote control.
•	String lights must be installed in accordance with the owner installation manual, and the current California Electric Code.
•	String lights must be supported by steel guide cables, with zip ties and eyebolts, or other suitable supporting hardware whenever span distances exceed 10 feet unless longer spans are specified in the manufacturer's installation instructions.
•	If an extension cord is used, it must be rated for outdoor use. Use only three wire outdoor extension cords that have three-prong grounding plugs and grounding receptacles that accept the three prong plug.
•	Keep combustible material clear of bulbs. Do NOT allow lamps or sockets to come into contact with walls, fabrics, canopies, umbrellas or other combustible materials.
•	String lights and extension cords shall not be secured with staples and shall not run through windows, door openings or other openings through walls.

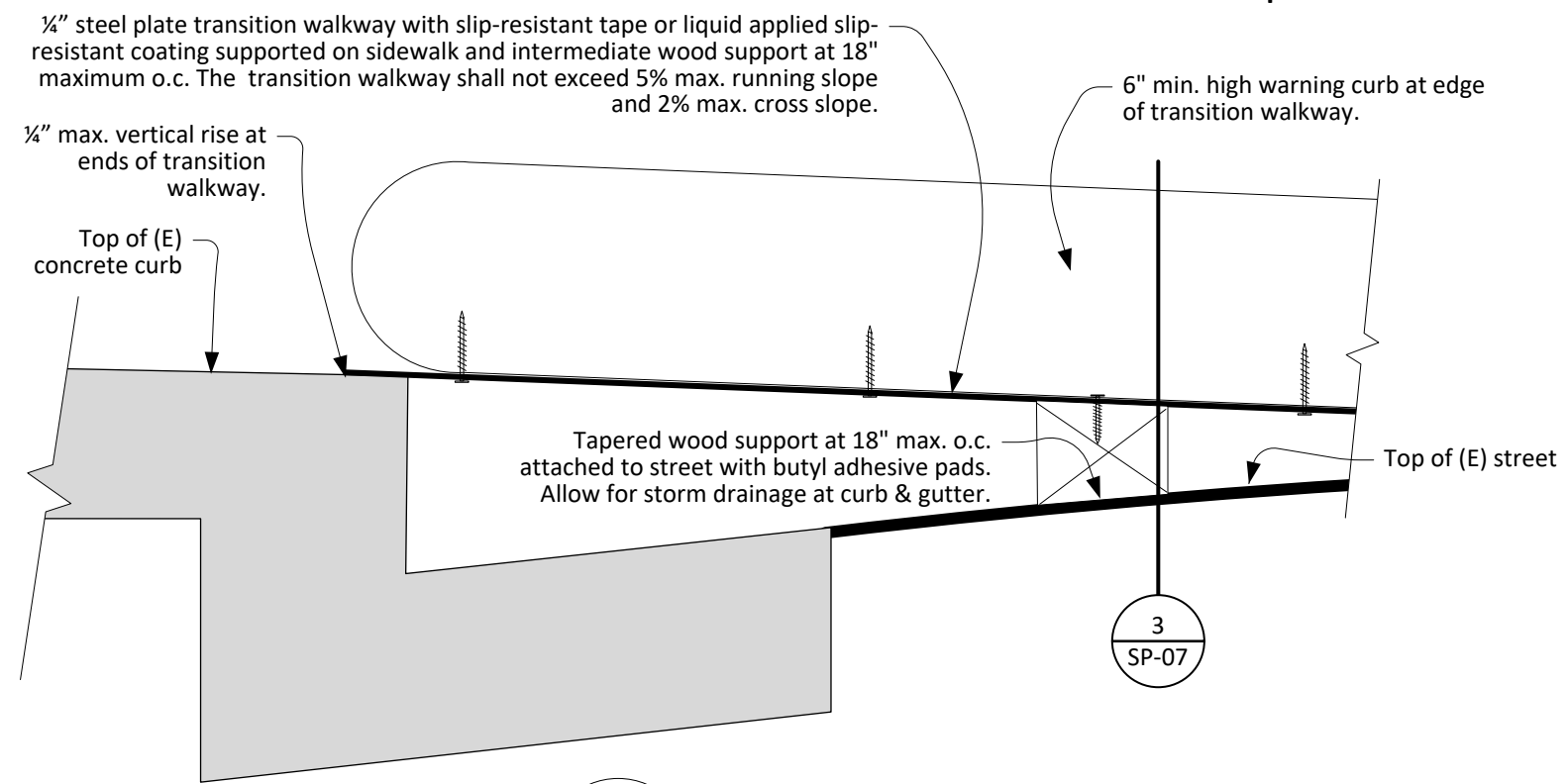
City of Sonoma  
Standard Plan for Temporary  
Raised Parklets with String Lights



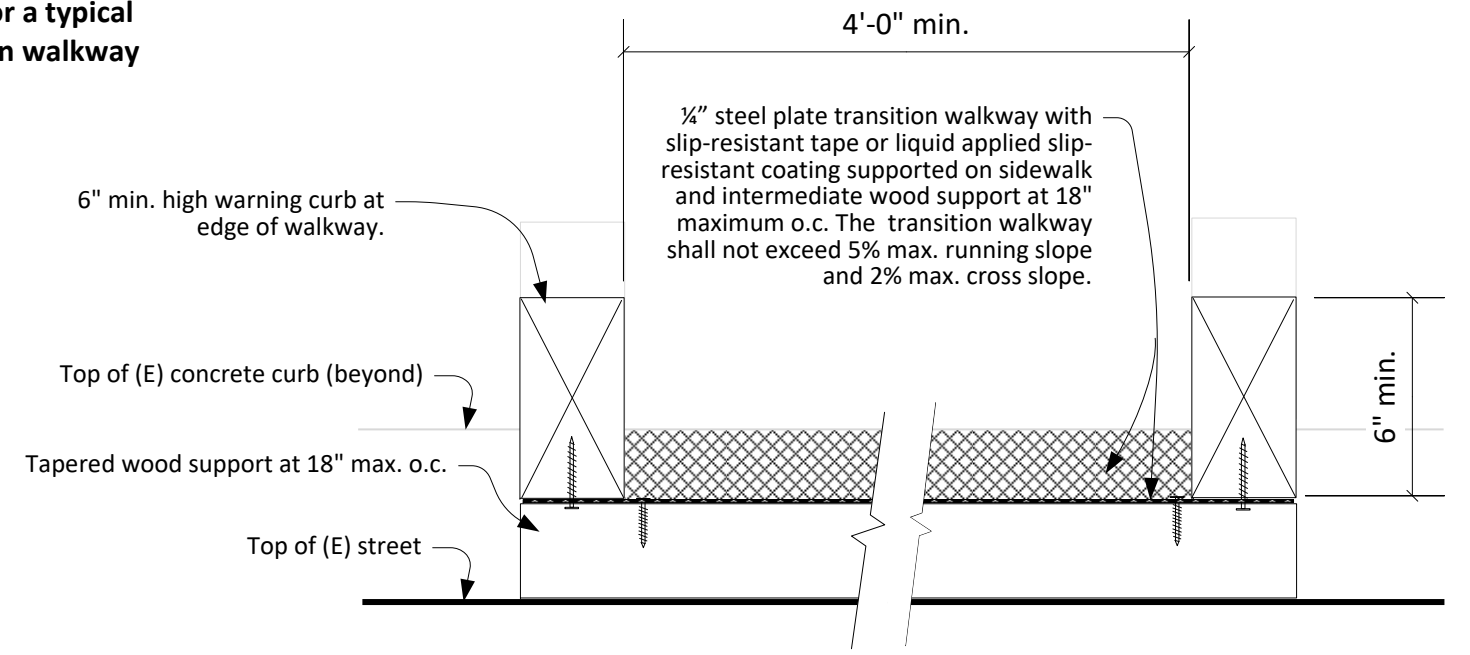
SP-06  
REV 12/8/20



**1**  
SP-07  
**Transition Walkway Section**  
NOTE: See sheet SP-04 for a typical plan view of the transition walkway

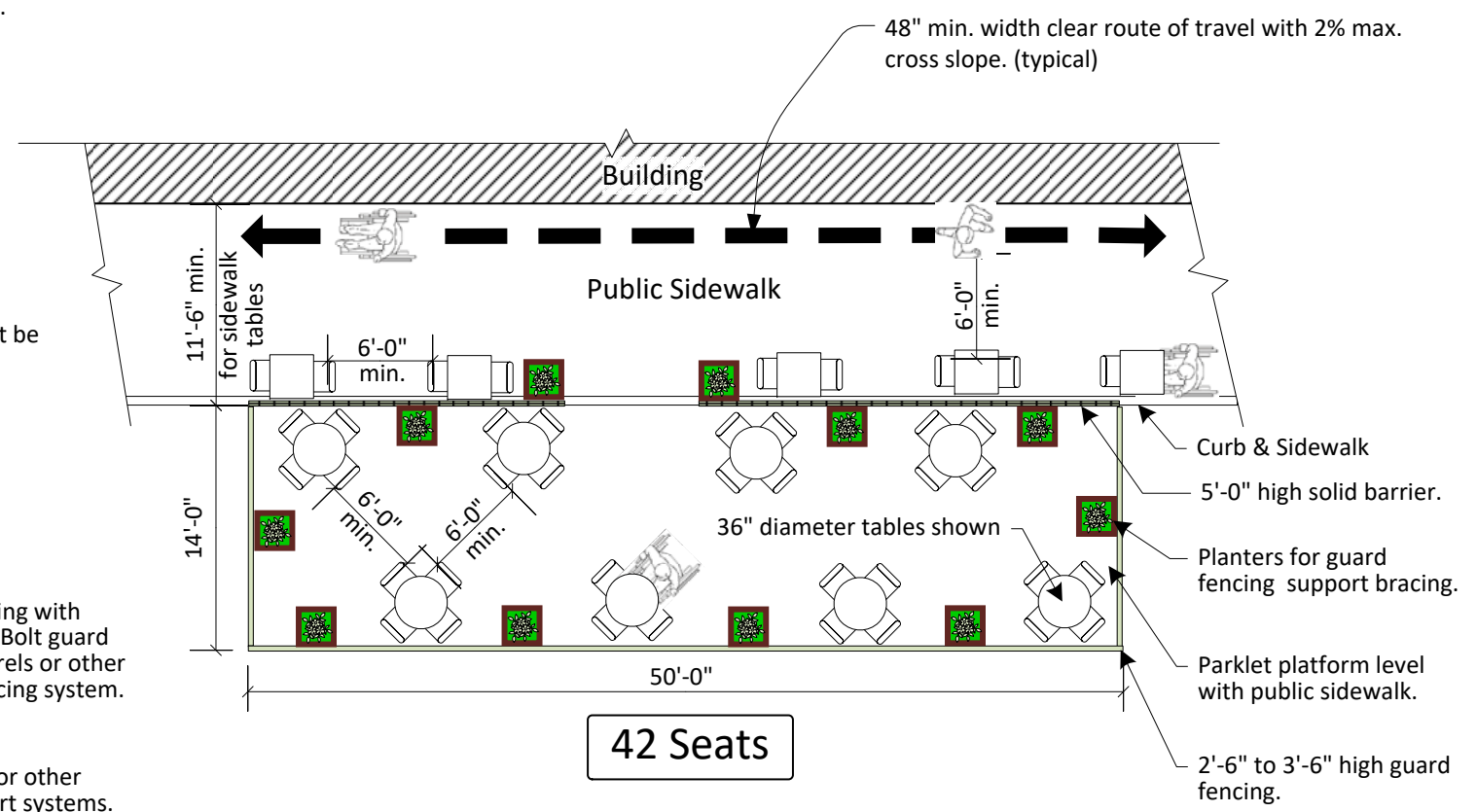
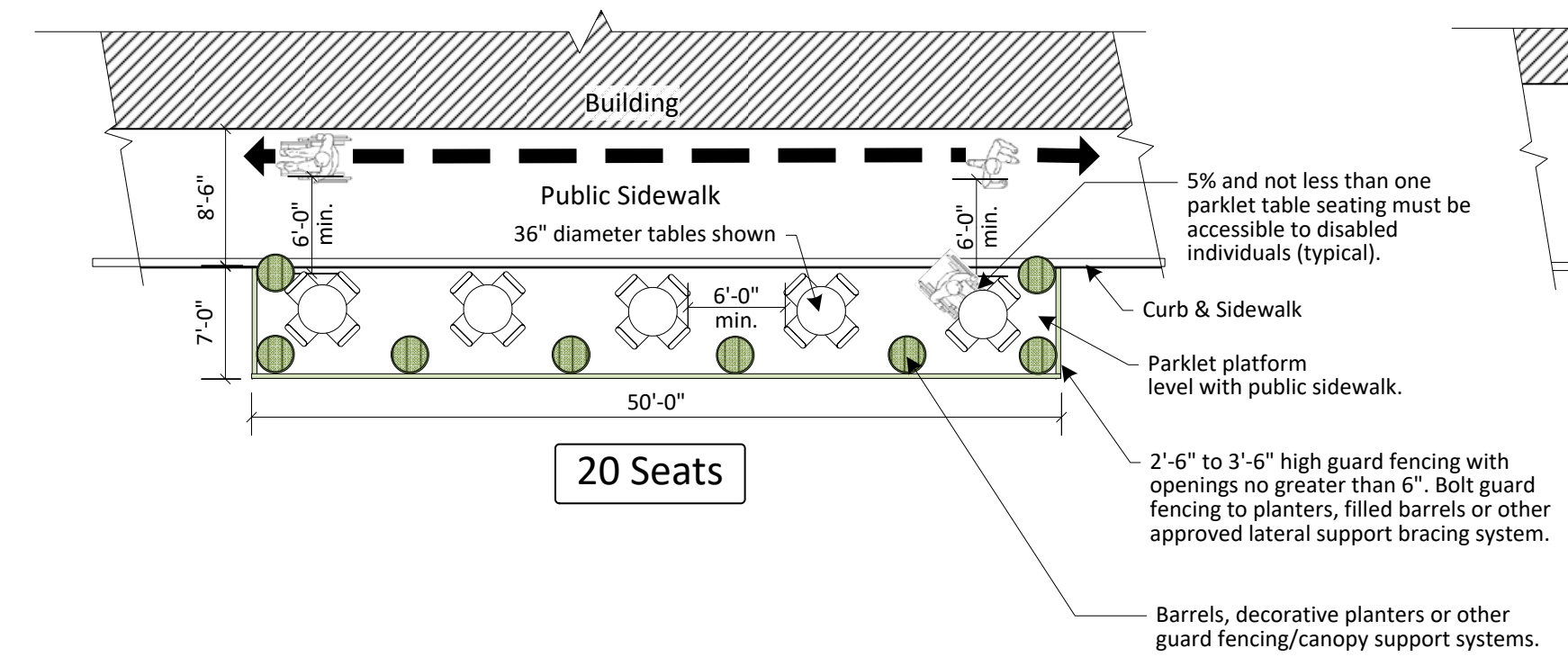
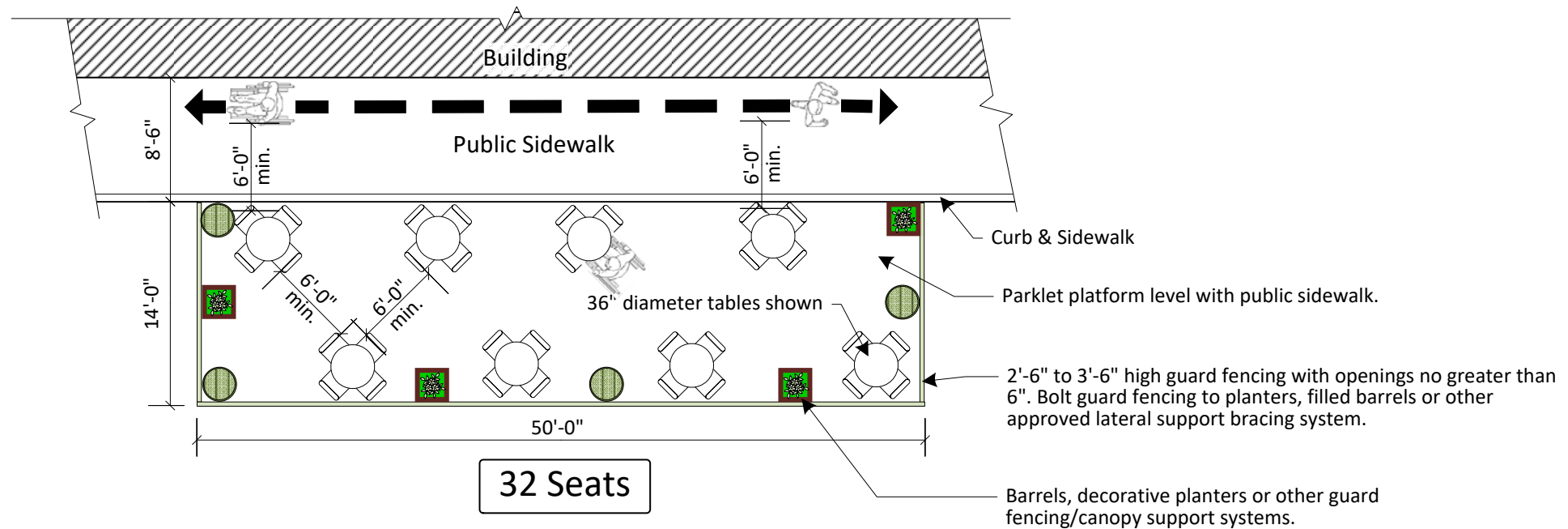


**2**  
SP-07  
**Transition Walkway Detail**



**3**  
SP-07  
**Transition Walkway Detail**

City of Sonoma  
Standard Plan for **Walkway**  
**Transition from Public Sidewalk to**  
**Street at Parklets**



# Sample Seating Layouts for Temporary Raised Parklets