



Pool and Spa Submittal Checklist

Handout No: 6
Revised 1/12/2021
Effective 1/1/2020

All portable and built-in pools and spas need to be reviewed and approved by the City of Sonoma Building Department prior to installation. A completed Building Permit application along with three (3) sets of plans must be submitted to the Building Department at City Hall and should include the information listed below:

The person responsible for the design of the swimming pool should SHOW AND NOTE ALL OF THE APPLICABLE ITEMS LISTED BELOW. Failure to incorporate the necessary information into the plans may result in a delay in the issuance of a building permit.

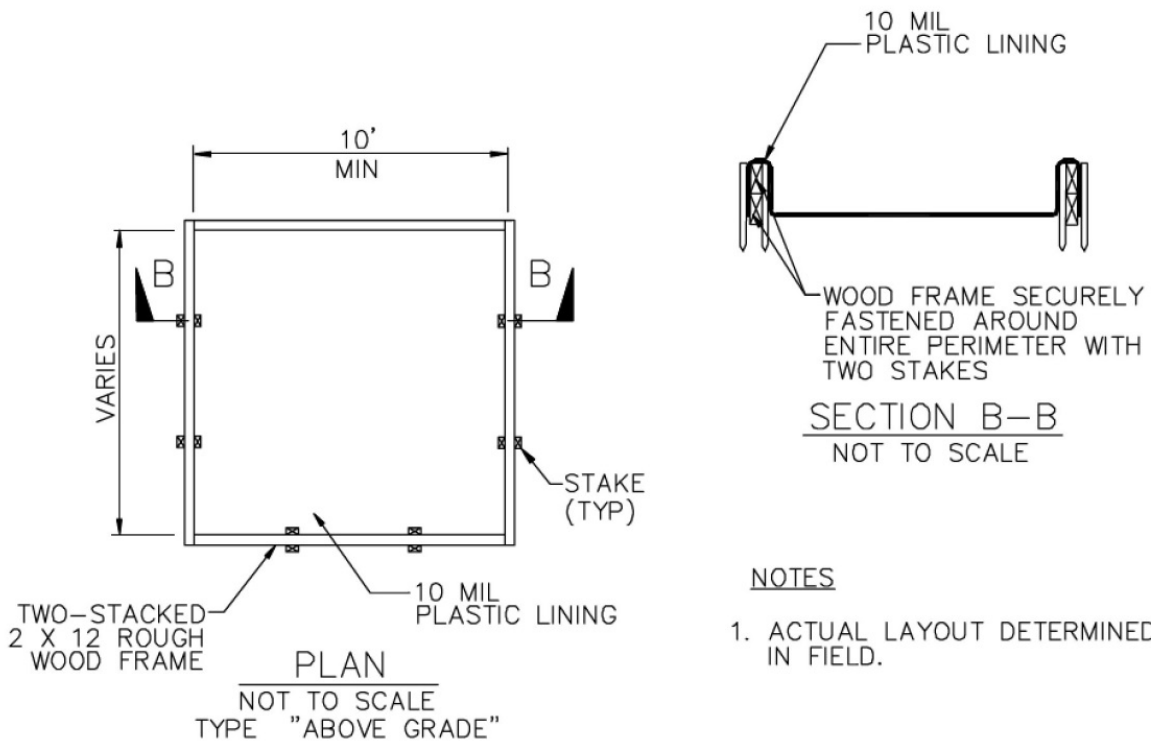
- Site plan showing:
 1. Proposed location, dimensions and type of the pool or spa;
 2. Existing home and other structures;
 3. Location and type of all exterior doors exiting the home or other habitable space if special door hardware or exit alarms are proposed as a drowning prevention method;
 4. Location, dimensions and type of enclosure fencing and gates if proposed as a drowning prevention method.
 5. Specific methods, location and requirements for complying with the drowning prevention measures of the California Swimming Pool Safety Act. Show and specify on the plans the location and specific requirements for each proposed drowning prevention method to be used (see below for more info);
 6. Location of all easements, overhead utility lines and setback distances from all property lines and buildings;
 7. Location and type of pool/spa equipment;
 8. Location of all proposed plumbing and the plumbing materials to be used, including the method and location of anti-entrapment devices;
 9. All proposed decks, indicating materials and height above ground;
 10. Location and type of all electric wiring, outlets, fixtures and switches within 20 feet of the pool or spa;
 11. Location and method of equipotential bonding for pool.
 12. Location and approved method of draining pool cover vaults and backwash drains (i.e. 18 cu. ft. gravel filled drywell, etc.)
- Structural details and calculations that are stamped and signed by the engineer (built-in pools/spas)
- UL listing and spa brochure with installation requirements for pre-manufactured spas.
- Non-Site-Specific and Typical Erosions and Sediment Control Best Management Practices (BMP's).



**NON-SITE-SPECIFIC AND TYPICAL EROSION AND SEDIMENT CONTROL
BEST MANAGEMENT PRACTICES (BMP'S)**

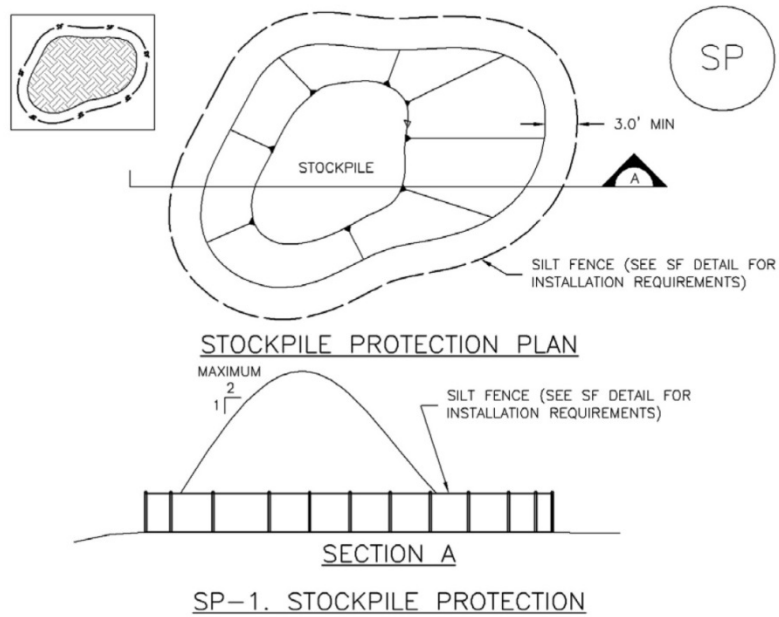
Excavation and trenching for all swimming pools and spas shall comply with the following Non-Site-Specific and Typical Erosions and Sediment Control Best Management Practices (BMP's) to the maximum extent practicable for the duration of the project, including the following: [SMC 14.20.100]

1. Vehicle and heavy equipment ingress and egress to the construction site shall be limited to paved or reinforced entrances. Reinforced entrances shall be designed, built, and maintained so as to prevent sediment from "tracking-out" into the public right-of-way on vehicle and heavy equipment tires.
2. All dirt or sediment tracked into the public right-of-way shall be promptly removed as soon as feasible and no less frequently than at the end of each working day. Dry sweeping methods are to be used for sweeping.
3. Existing vegetation shall be preserved wherever feasible to minimize disturbed soil area and associated erosion.
4. All construction products including uncured paint, concrete, stucco, drywall mud, and mortar shall be protected from run-on during precipitation and wastes disposed of properly in a designated washout.

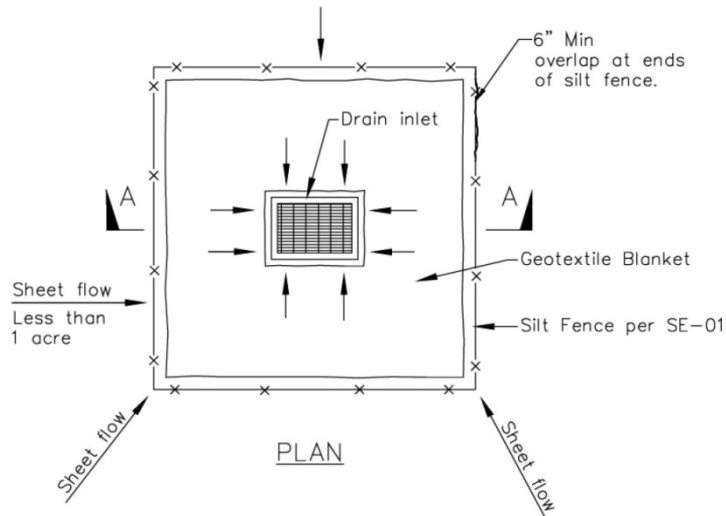
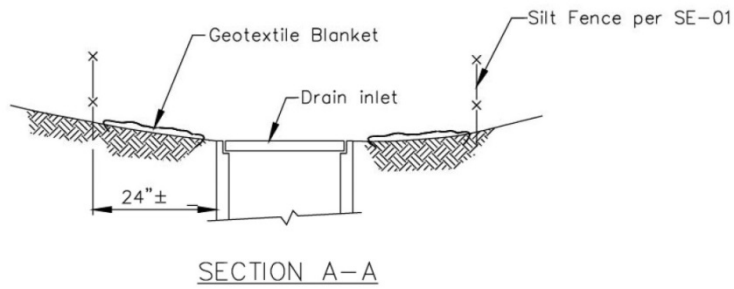


Typical Washout Facility

- All stockpiles of erodible materials shall be provided with erosion and sediment controls to prevent erosion and dust generation.



All storm drain inlets on the site or receiving direct discharges of stormwater from the site shall be protected from sediment-laden discharges



DI PROTECTION TYPE 1
NOT TO SCALE

Pool & Spa Drowning Prevention Safety Features for Private Single Family Homes

- The pool must show compliance with State of California Swimming Pool Safety Act (CA Health and Safety Code Sections 115921 – 115929) reprinted as Appendix V of the of the 2019 California Residential Code (CRC).
- AV100.1 "Swimming pool" or "pool" is defined as any structure intended for swimming or recreational bathing that contains water over 18 inches deep. "Swimming pool" includes in-ground and above-ground structures and includes, but is not limited to, hot tubs, spas, portable spas, and non-portable wading pools. Any person entering into an agreement to build a swimming pool shall give the consumer notice of the requirements of the State of California Swimming Pool Safety Act.
- **New or remodeled swimming pools or spas for single family homes shall be equipped with at least two of the following seven (7) drowning prevention safety features [CRC AV100(a)]** **Exception:** Hot Tub or Spas with locking covers that comply with ASTM F1346 do not apply to this requirement. [CRC AV100.5.2]
 - ❑ **1. AV100.2(a)(1) An enclosure** that meets the requirement of Section AV100. and isolates the swimming pool or spa from the private single-family home (habitable or occupiable spaces). The location and requirements of the pool and/or spa enclosure shall be shown and specified on the plans and the enclosure shall have all of the following characteristics:
 - (a) AV100.3.1 Gates. Any access gates through the enclosure shall open away from the swimming pool, and be self-closing with a self-latching device and release mechanism placed no lower than 60 inches above the ground. All access gates shall comply with the requirements of Sections AV100.3.2 through AV100.3.5.
 - (b) AV100.3.2 Height. A minimum height of 60 inches measured on the side of the barrier or enclosure that faces away from the swimming pool.
 - (c) AV100.3.3 A maximum vertical clearance from the ground to the bottom of the enclosure of 2 inches.
 - (d) AV100.3.4 Gaps or voids, if any, do not allow passage of a sphere equal to or greater than four (4) inches in diameter.
 - (e) AV100.3.5 An outside surface free of protrusions, cavities, or other physical characteristics that would serve as handholds or footholds that could enable a child below the age of five years to climb over. For the purposes of this subsection, the following fencing materials shall be considered free of protrusions, cavities, or other physical characteristics that would serve as handholds or footholds that could enable a child below the age of five years to climb over:
 - ❑ **2. AV100.2(a)(2) Removable mesh fencing** that meets ASTM Standard F 2286 in conjunction with a gate that is self-closing and self-latching and can accommodate a key lockable device.
 - ❑ **3. AV100.2(a)(3) An approved safety pool cover**, as defined in Section AV100.1 must be manually or power-operated and meet the performance standards of ASTM Standard F 1346-91.
 - ❑ **4. AV100.2(a)(4) Exit alarms** on the private single-family home's doors that provide direct access to the swimming pool or spa. The exit alarm may cause either an alarm noise or a verbal warning, such as a repeating notification that "the door to the pool is open." "Exit alarms" means devices that make audible, continuous alarm sounds when any door or window, that permits access from the residence to the pool area that is without any intervening enclosure, is opened or is left ajar. Exit alarms may be battery operated or may be connected to the electrical wiring of the building. [Where a wall of a

habitable or occupiable building serves as part of the enclosure or barrier for a pool, doors with direct access to the pool through that wall shall be equipped with an exit alarm that produces an audible warning when the door and/or its screen, if present, are opened. The exit alarm shall be listed in accordance with UL 2017. The audible alarm shall activate within 7 seconds and sound continuously for a minimum of 30 seconds after the door and/or its screen, if present, are opened and be capable of being heard throughout the house during normal household activities. The alarm shall automatically reset under all conditions. The alarm shall be equipped with a manual means, such as touchpad or switch, to temporarily deactivate the alarm for a single opening. Such deactivation shall last for not more than 15 seconds. In dwellings not required to be accessible to disabled individuals the deactivation switch shall be located 54 inches or more above the threshold of the door. In dwellings required to be accessible to disabled individuals the deactivation switch(es) shall be located at 54 inches maximum and 48 inches minimum above the threshold of the door.]

- ❑ 5. AV100.2(a)(5) **A self-closing, self-latching device** with a release mechanism placed no lower than 54 inches above the floor on the private single-family home's doors providing direct access to the swimming pool or spa.
- ❑ 6. AV100.2(a)(6) **An alarm** that, when placed in a swimming pool or spa, will sound upon detection of accidental or unauthorized entrance into the water. The alarm shall meet and be independently certified to the ASTM F 2208 "Standard Safety Specification for Residential Pool Alarms" which includes surface motion, pressure, sonar, laser, and infrared type alarms. A swimming protection alarm feature designed for individual use, such as an alarm attached to a child that sounds when the child exceeds a certain distance or becomes submerged in water, is not a qualifying drowning prevention safety feature.
- ❑ 7. AV100.2(a)(7) **Other approved means of protection**, if the degree of protection afforded is equal to or greater than that afforded by any of the features set forth above and been independently verified by an approved testing laboratory as meeting the standards for those devices established by ASTM or ASME.
- AV100.4(a) **Agreement to build a swimming pool.** Any person entering into an agreement to build a swimming pool or spa, or to engage in permitted work on a pool or spa covered by this subsection, shall give the consumer notice of the requirements of the State of California Swimming Pool Safety Act.
- AV100.8 **Entrapment avoidance.** Suction outlets shall be designed and installed in accordance with ANSI/APSP-7 and all of the following:
 - a) AV100.8.(1), (2) & (3) The suction outlets of a new pool or new spa for which a permit is issued shall be equipped to provide circulation throughout the pool or spa by installing at least two circulation suction outlets per pump that shall be hydraulically balanced and symmetrically plumbed through one or more "T" fittings, and that are separated by a distance of at least three feet in any dimension between the suction outlets; or be designed to use alternatives to suction outlets including, but not limited to, skimmers or perimeter overflow systems to conduct water to the circulation pump. The circulation system shall have the capacity to provide a complete turnover of pool water as specified in Section 3124B of Chapter 31B of the California Building Standards Code.
 - b) AV100.8.(4) Suction outlets shall be covered with anti-entrapment grates as specified in the ANSI/APSP-16 performance standard or successor standard designated by the federal Consumer Product Safety Commission, that cannot be removed except with the



use of tools. Slots of openings in the grates or similar protective devices shall be of a shape, area and arrangement that would prevent physical entrapment and would not pose any suction hazard to bathers.

- c) AV100.8.(5) Any backup safety system that an owner of a new swimming pool or spa may choose to install in addition to the requirements set forth in CRC sections AV100.8.(1) through AV100.8.(4), shall meet the standards as published in the document, "Guidelines for Entrapment Hazards: Making Pools and Spas Safer," Publication Number 363, March 2005, United States Consumer Products Safety Commission.
- d) AV100.8.5 Whenever a building permit is issued for the remodel or modification of any existing swimming pool, toddler pool, or spa, the permit shall require that the suction outlets of the existing swimming pool or spa be upgraded so as to be equipped with anti-entrapment grates, as specified in the ANSI/APSP-16 performance standard or successor standard designated by the federal Consumer Product Safety Commission.

Electrical (2019 California Electrical Code [CEC])

- OUTLETS SUPPLYING POOL PUMP MOTORS connected to single-phase, 120 through 240 volt branch circuits, rated 15 or 20 amperes, whether by receptacle or by direct connection, shall be provided with ground-fault circuit-interrupter protection for personnel. [CEC 680.21(C)]
- AT LEAST ONE 125-VOLT RECEPTACLE shall be located not less than 6 feet from, and not more than 20 feet from the inside wall of the pool. The receptacle shall be located not more than 6 feet 6 inches above the floor or grade serving the pool. [CEC 680.22(A)(1)]
- SWITCHING DEVICES shall be located at least 5 feet horizontally from the inside wall of the pool or spa, unless separated by a solid wall, fence or permanent barrier unless the switching device is listed for closer proximity. [CEC 680.22(C)]
- All CONVENIENCE RECEPTACLES on the property shall be not less than 6 feet from the pool or spa unless separated by a wall, fence or permanent barrier. [CEC 680.22(A)(3)]
- All 125-volt receptacles located within 20 feet of the pool or spa shall be protected by a GROUND FAULT CIRCUIT-INTERRUPTER (GFCI). [CEC 680.22(A)(4)]
- A ground fault circuit-interrupter (GFCI) shall be installed in the branch circuit supplying UNDERWATER LIGHT FIXTURES. [CEC 680.23(A)(3)]
- OTHER OUTLETS. Other outlets shall be not less than 10 feet from the inside walls of the pool. FPN: Other outlets may include, but are not limited to, remote-control, signaling, fire alarm, and communications circuits. [CEC 680.22 (D)]
- OUTDOOR POOL EQUIPMENT (i.e. pumps, filters and heating equipment) shall be located not less than 3 feet minimum from a property line and shall not exceed 4 feet in height. [SMC 19.40.110.C.3.c.i.]
- MAINTENANCE DISCONNECTING MEANS One or more means to simultaneously disconnect all ungrounded conductors. Each disconnecting means shall be located at least 5 feet horizontally from the inside walls of a pool, spa or hot tub. [CEC 680.12]
- EQUIPOTENTIAL BONDING shall be provided for pools and spas to reduce voltage gradients in the pool area [2019 CEC 680.26]. See the attached drawings for further clarification.

Fuel Heated Pools (2019 California Energy Code)

- Pool pumps with a capacity of 1 horsepower and manufactured after January 1, 2010 must be capable of operation at two or more speeds with a low speed having a rotation rate

(RPM) that is no more than one-half of the motor's maximum rotation rate. The pump motor must be operated with a control capable of running the pump at a minimum of two speeds. [Title 20 Section 1605.3(g)(5) of California Appliance Efficiency Regulations.]

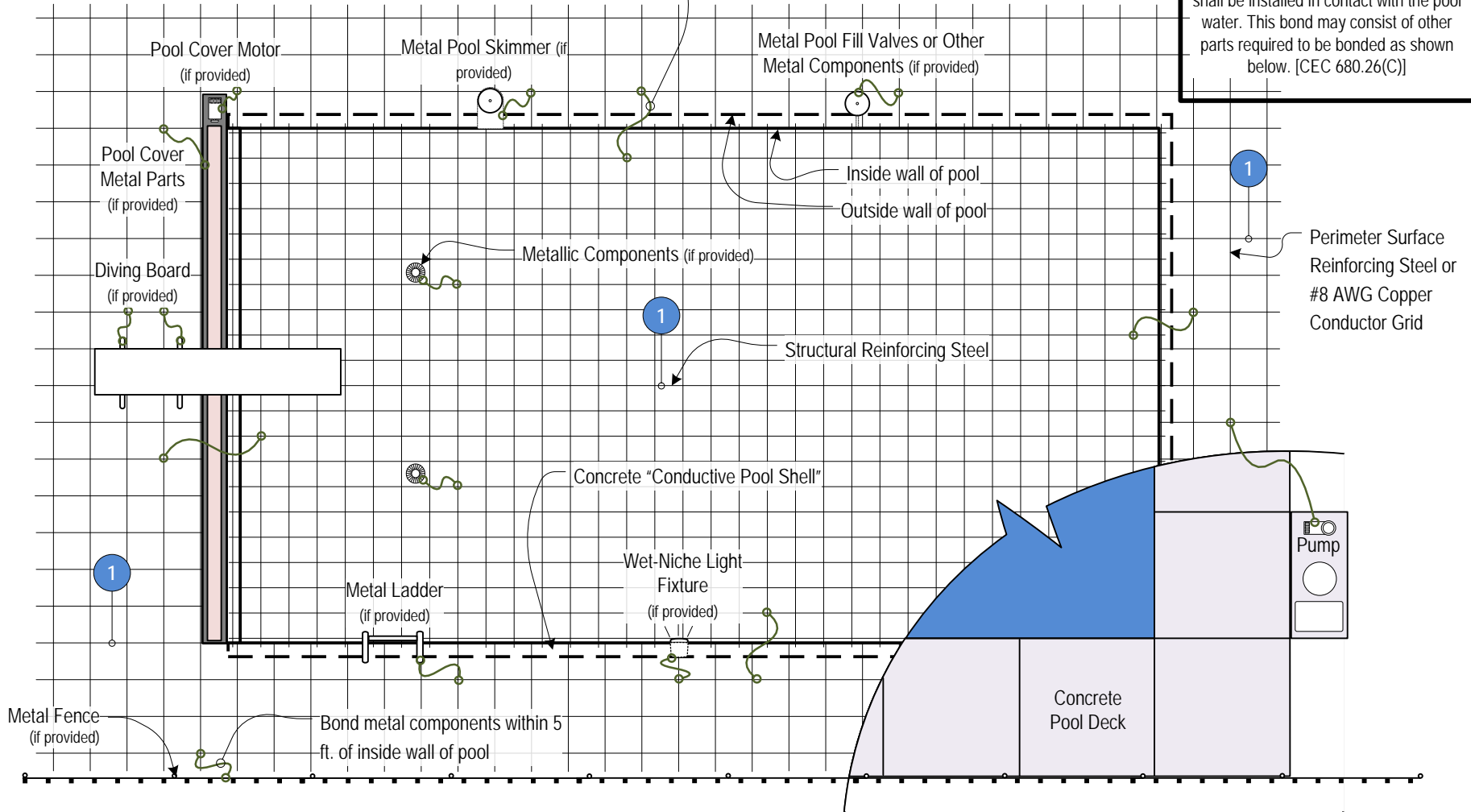
- Indicate if the pool will be fuel-heated. The following items must be installed in conjunction with any FUEL HEATED SWIMMING POOL pursuant to the State of California Energy Code [2019 California Energy Code Sections 110(a) and (b)]:
- The thermal efficiency of the equipment must comply with the appliance efficiency regulations.
- A readily accessible ON-OFF SWITCH mounted on the outside of the heater for easy access to allow shutting off the operation of the heater without adjusting the thermostat.
- A permanent WEATHERPROOF PLATE, easily readable, giving instructions for the energy-efficient operation of the swimming pool or spa heater and for the proper care of pool or spa water when a pool cover is used.
- No ELECTRIC RESISTANCE HEATING.
- A 36-inch minimum length of plumbing between the filter and the heater, to allow for FUTURE SOLAR HEATING equipment.
- Outdoor fuel heated pools and spas shall be provided with a POOL COVER.
- TIME CLOCKS shall be provided and so equipped so that the pump can be set to run in the off-peak electric demand period (unless required to operate an active solar pool heating system) and for the minimum time necessary to maintain the water in a clear and sanitary condition in accordance with public health standards require 24-hour operation, time clocks are not required.
- Pools shall be provided with DIRECTIONAL INLETS to provide adequate mixing of pool water.

If you have any questions, please call the City of Sonoma Building Department at (707) 938-3681 between 8:00 a.m. to 12:00 noon and 1:00 p.m. to 5:00 p.m., Monday through Friday.

ATTACHEMENTS: Explanatory drawings for equipotential bonding.

Bond perimeter surfaces to the pool structural reinforcing steel or copper conductor grid at four (4) points uniformly spaced around the pool or spa. [CEC 680.26(B)(2)]

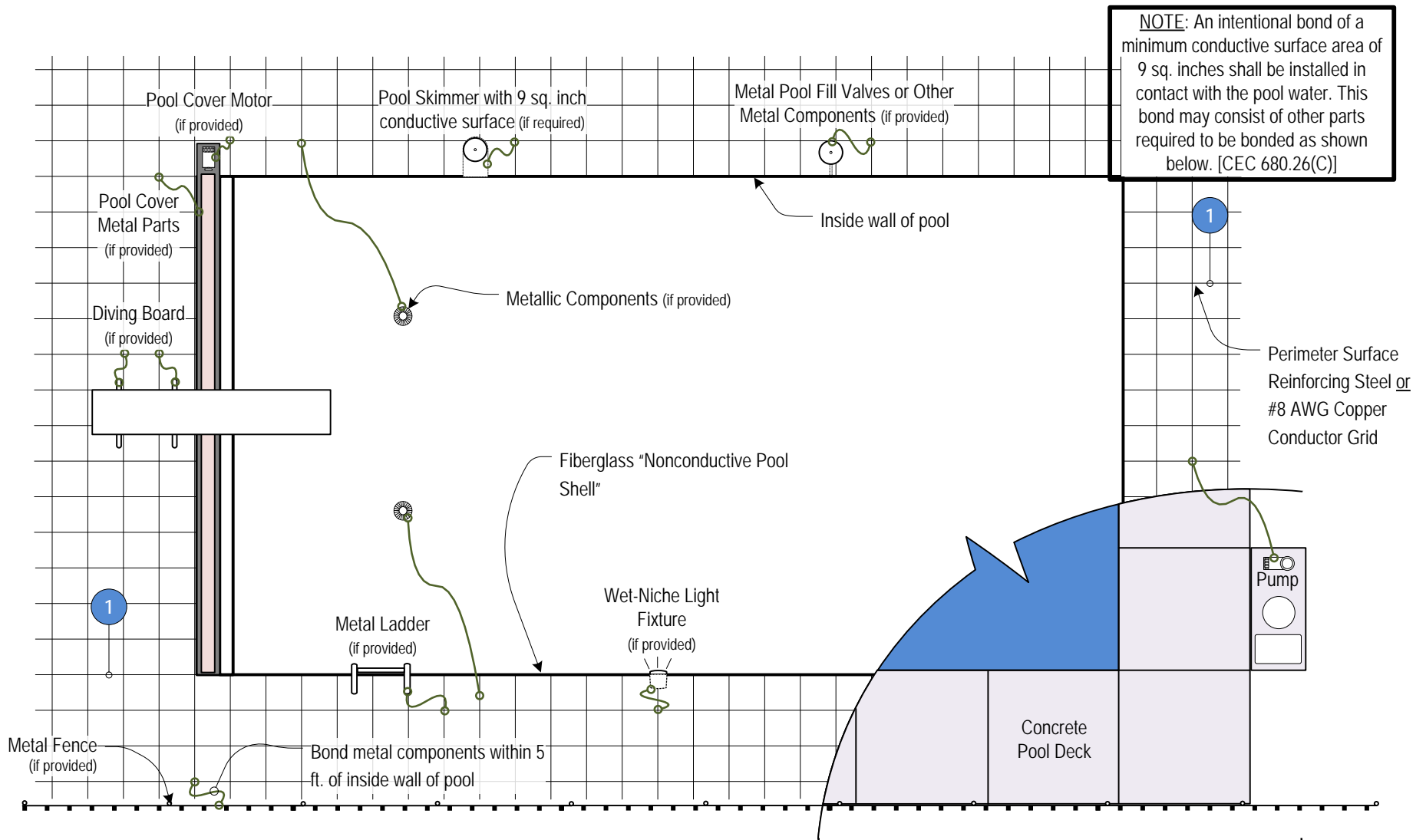
NOTE: An intentional bond of a minimum conductive surface area of 9 sq. inches shall be installed in contact with the pool water. This bond may consist of other parts required to be bonded as shown below. [CEC 680.26(C)]




Equipotential Bonding – In-Ground “Conductive” Concrete Pool or Spa - CEC 680.26	
1	Structural Reinforcing Steel per CEC 680.26(B)(1)(a) or Copper Conductor Grid within 6 inches of the pool shell using #8 AWG solid copper conductors at 12 inch x 12inch spacing and conforming with the contour of the pool. [CEC 680.26(B)(1)(b)]
~	#8 AWG Copper Bonding Conductor with listed connectors approved for the specific use. [CEC 680.26(B) and 250.8]

Based on the 2019 California Electrical Code

Not to Scale
6/18/18



NOTE: An intentional bond of a minimum conductive surface area of 9 sq. inches shall be installed in contact with the pool water. This bond may consist of other parts required to be bonded as shown below. [CEC 680.26(C)]

Equipotential Bonding – In-Ground “Nonconductive” Fiberglass Pool or Spa - CEC 680.26	
1	Structural Reinforcing Steel per CEC 680.26(B)(1)(a) or Copper Conductor Grid within 6 inches of the pool shell using #8 AWG solid copper conductors at 12 inch x 12inch spacing and conforming with the contour of the pool. [CEC 680.26(B)(1)(b)]
	#8 AWG Copper Bonding Conductor with listed connectors approved for the specific use. [CEC 680.26(B) and 250.8]

Based on the 2019 California Electrical Code