

HUMMINGBIRD COTTAGES - PRIVATE STREET LIGHTING

SternbergLighting
ESTABLISHED 1923 / EMPLOYEE OWNED
GENESIS 3D Product Configurator

Catalog Number: 1A-1521LED-R-FG-2ARC30T3R-MDL03-
HSS/OESPT/2815PA/BKT Type: AA

Customer Approval: _____ Date: _____

Signature: _____ Date: _____

Conceptual assembly drawing, subject to Engineering verification by factory.

NUMBER OF ARMS: 1
ARM ARM MOUNTED FIXTURE: 1521
1521 Omega decorative downlight fixture features a spun aluminum ball styled shade with a flared or rounded edge. An aluminum casting is attached to the upper portion of the ball shade to allow coupling to multiple arms. Fixture features sealed and rotatable optics. Available with flat, soap, clear or frosted glass.

LIGHT SOURCE: -2ARC30T3R-MDL03
Array: 2ARC (28 LEDs, 34 Watts) (2ARC)
Color Temp: 3000K (30)
Distribution: Type 3R (3R)
Driver: Multi-Volt Dimmable Low-Rate Driver, 120-277V (MDL03)

OPTIONS: -HSS
House Side Shield: Yes (HSS)

ARM: OESPT
OESPT

POLE: 2815PA/
The 1 1/2" diameter cast ASTM 356 aluminum alloy base and aluminum shaft shall be a one-piece construction. The pole is U.L. or E.T.L. listed in U.S. and Canada.
Model: 2800 (28)
Height: 15 FT (15)
Shaft Type: Smooth Straight 4 inch, 6061-T6 Aluminum Alloy (PA)

FINISH: BKT
Assembly shall be powder coated to Black Textured finish. Prior to coating, the assembly shall be chemically cleaned and etched in a 5-stage washing system which includes alkaline cleaning, rinsing, phosphoric etching, reverse osmosis water rinsing, and non-chrome sealing to ensure corrosion resistance.

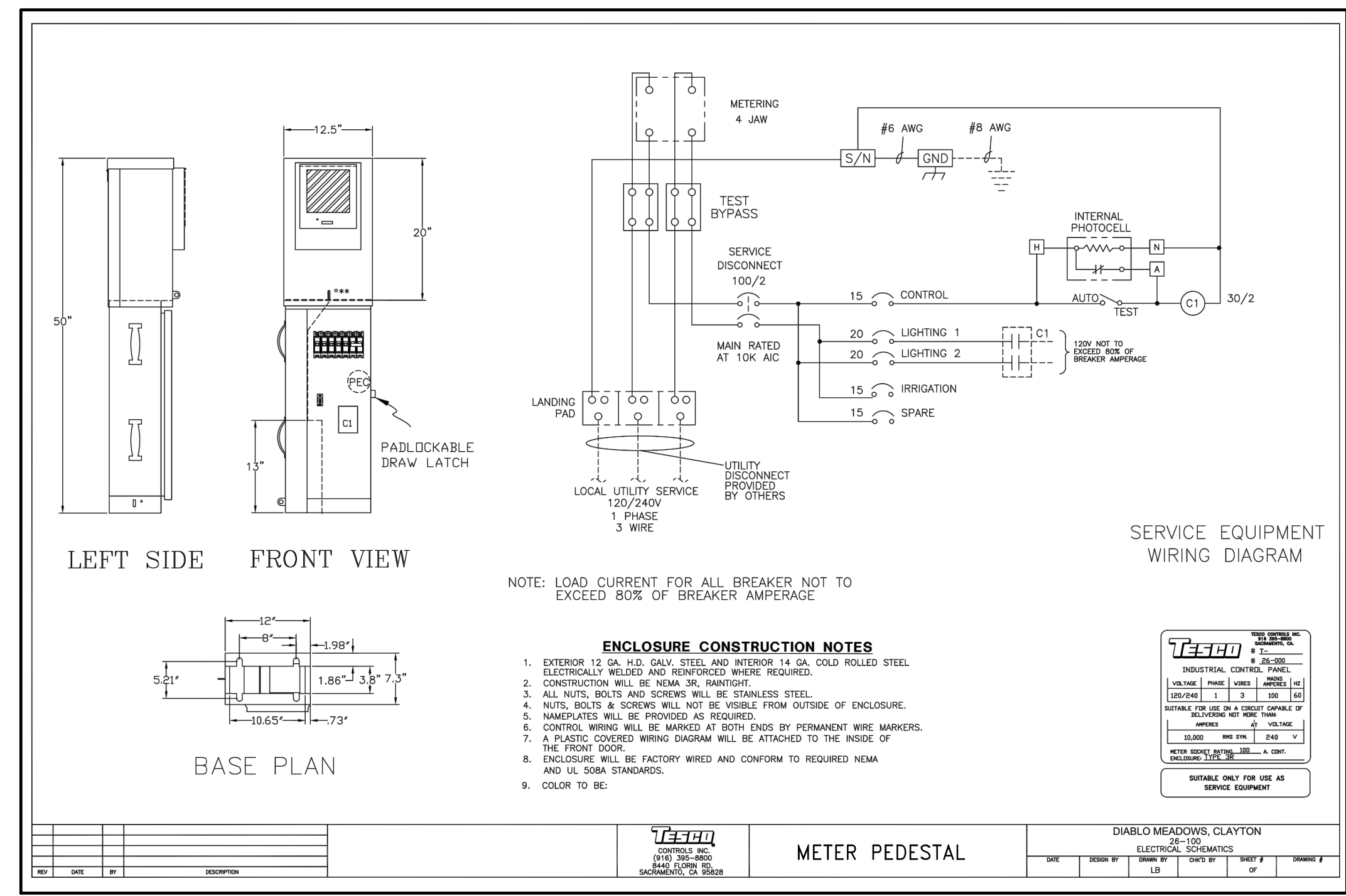
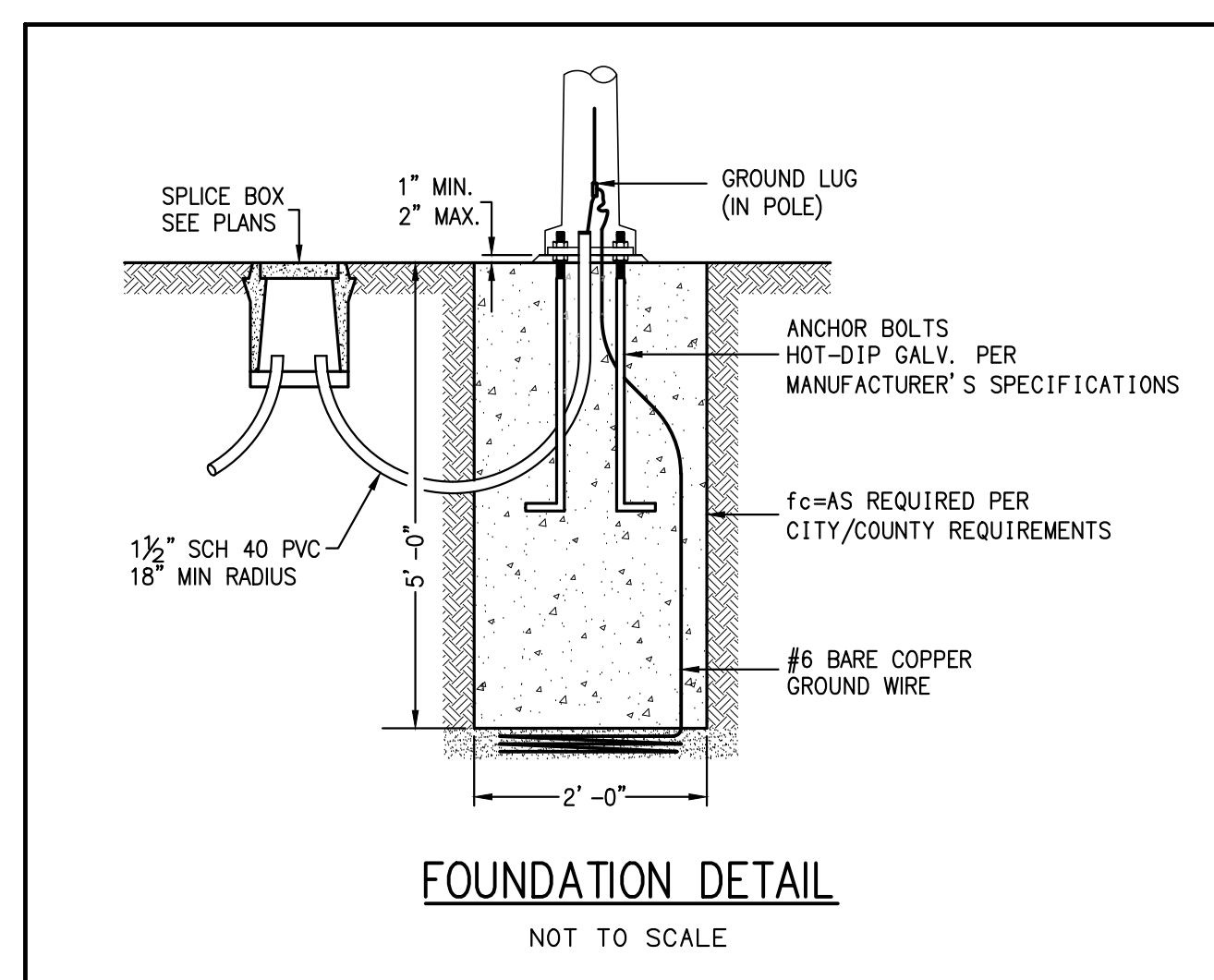
Bolt Info: (4) 3/4"-1" Anchor Bolts, 8-3/4" Bolt Circle, Square pattern

Access Door Orientation: 0°
Street Side Orientation: 180°

Rev	Description	By	Date
A			
B			
C			
D			
E			

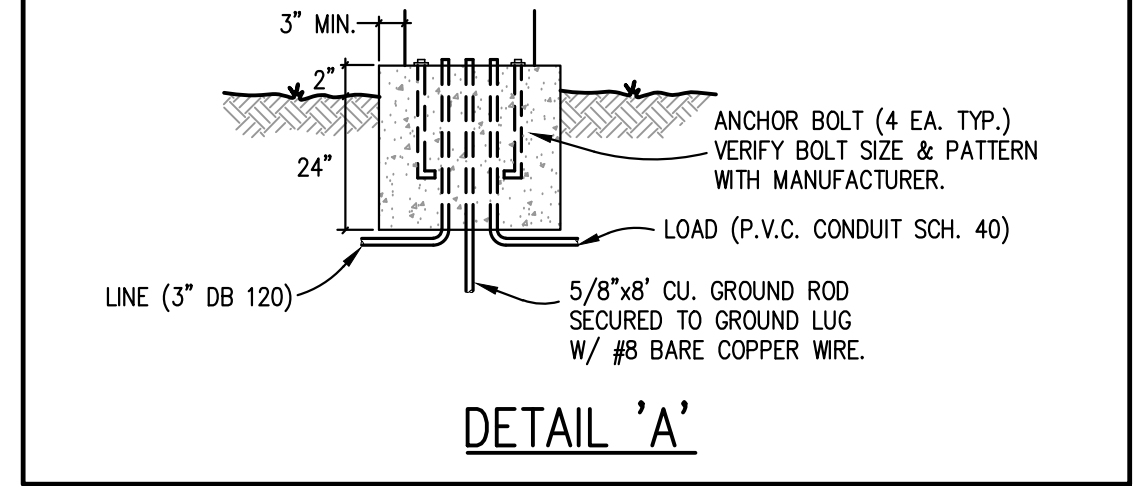
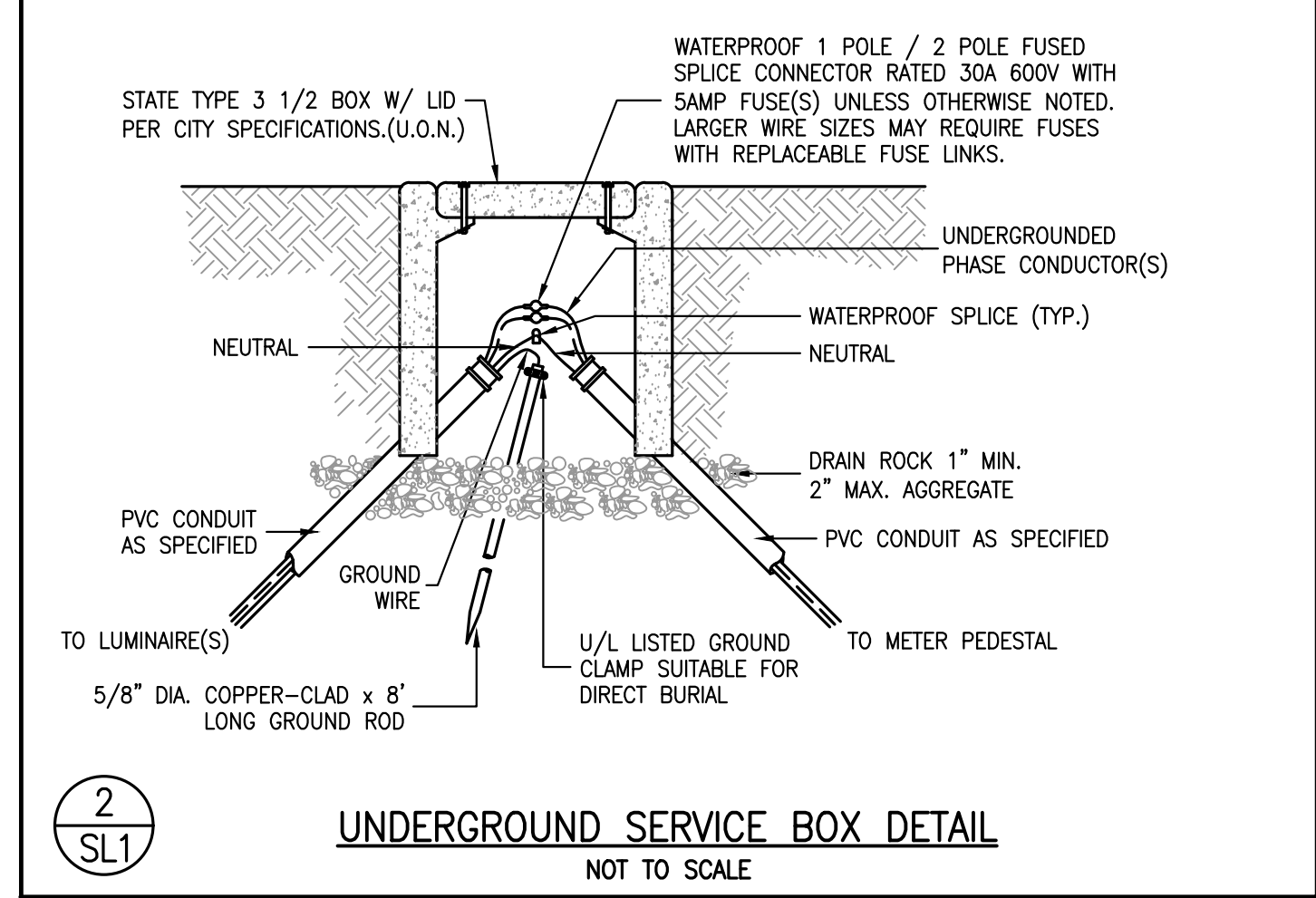
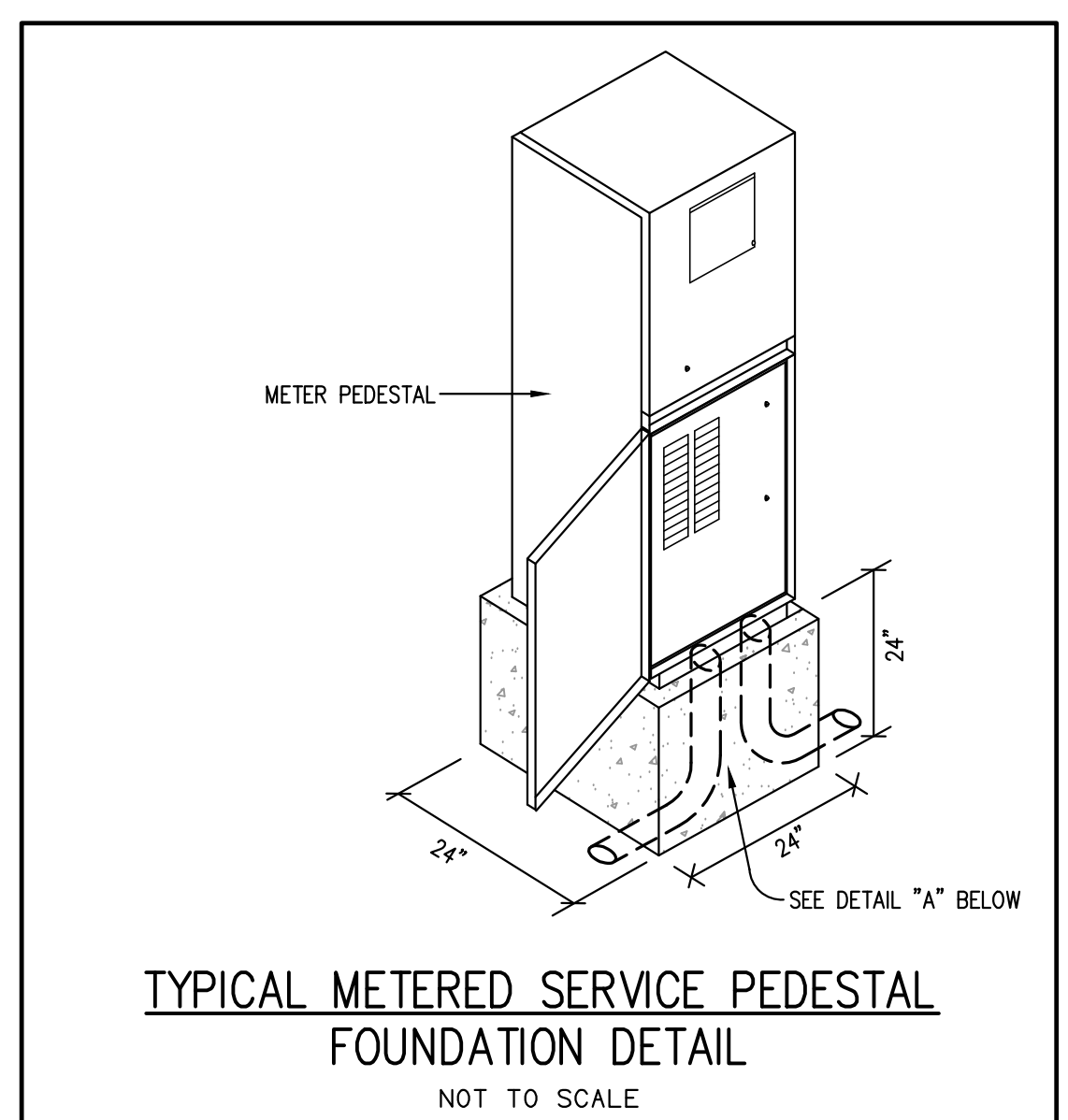
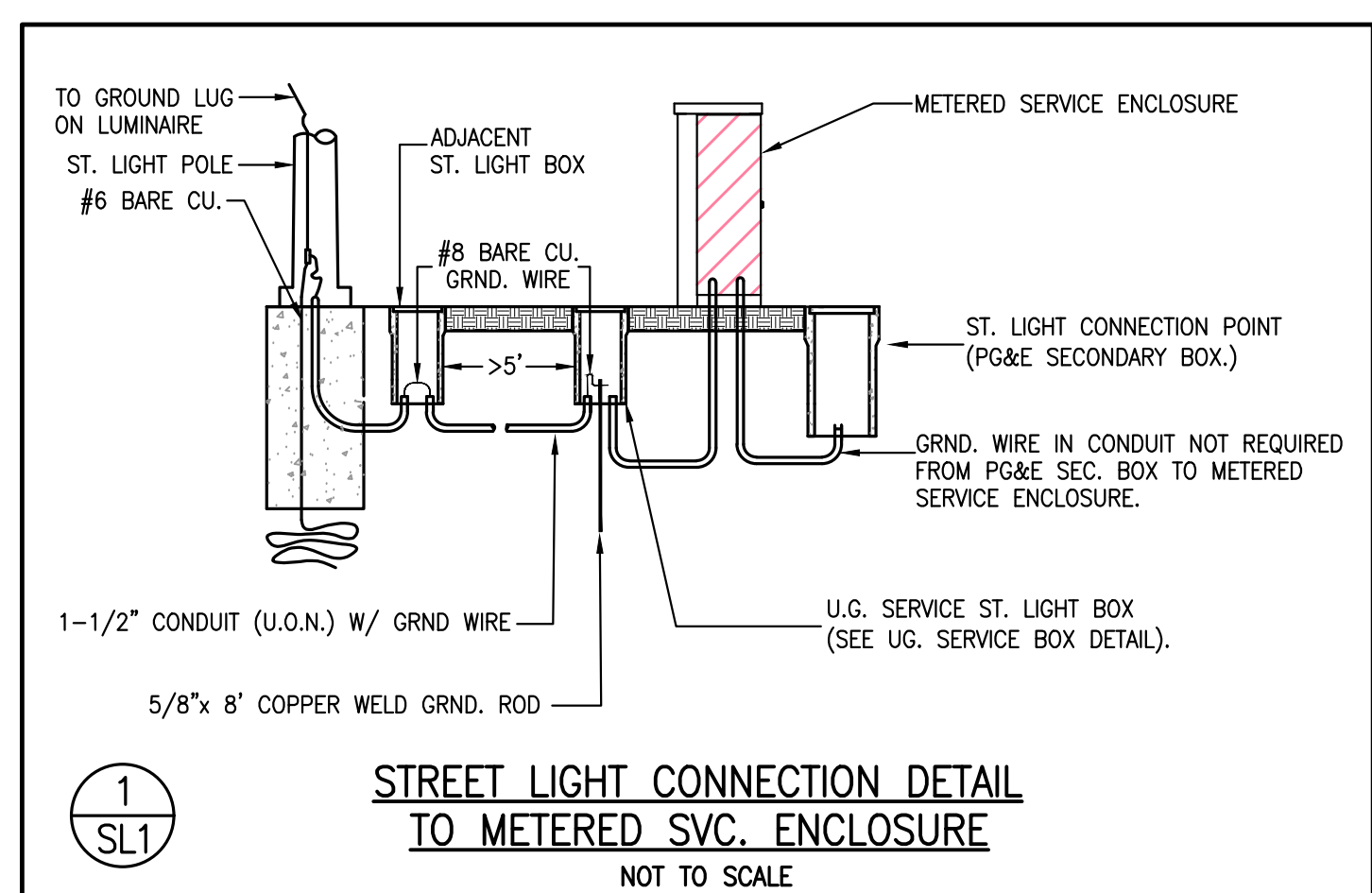
Job Name: Michael Caron
Job Location: Clayton, CA
Drawn By: John Benson / ALB
Checked By: _____
Drawing No: 15108
Date: 8/19/2021

NOTE:
THE LIGHT FIXTURE DETAIL ABOVE TO INCLUDE HOUSE SIDE SHIELD (HSS) ON ALL 6 LIGHT FIXTURES.

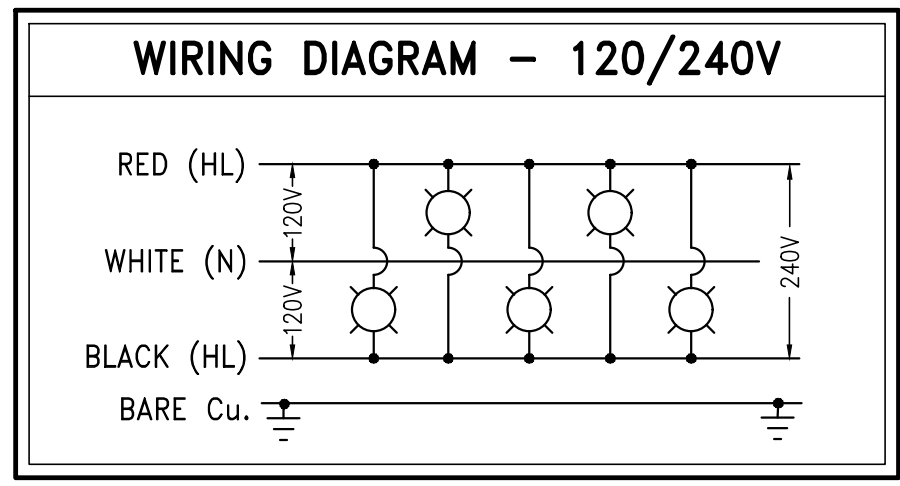


- PRIVATE LIGHTING CONTRACTORS NOTES**
- CONDUIT AND FITTINGS:** ALL CONDUIT AND FITTINGS SHALL BE U.L. APPROVED, UNLESS OTHERWISE NOTED OR REQUIRED. PROVIDE PULL ROPE IN ALL EMPTY CONDUITS.
 - CONDUIT DEPTH:** 18" UNDER SIDEWALK; 24" UNDER PLANTER STRIP; 30" UNDER PAVEMENT.
 - CABLE:** CABLE SHALL BE U.L. LISTED, TYPE THW OR THWN WITH MINIMUM OF 3/64" (46 MIL) POLYVINYL CHLORIDE INSULATION, UNLESS OTHERWISE NOTED. U.L. LISTED 600 VOLT, NO. 10 IN POLE MAY BE USED.
 - SPLICE BOXES:** SPLICE BOXES SHALL NOT BE MORE THAN 200 FEET APART ON LONG RUNS. (PER CALTRANS DETAIL ES-8A).
 - FUSES:** EACH STREET LIGHT SHALL BE FUSED WITH WATERPROOF IN-LINE FUSE HOLDERS (BUSHMAN HEB SERIES) AT EACH ADJACENT SPLICE BOX WITH 5 AMP FUSE.
 - SPLICING:** ALL SPLICES SHALL BE MADE IN LIGHT BOXES ONLY. SPLICES SHALL BE IN ACCORDANCE WITH CALTRANS STANDARD METHOD 'B'. (PER CALTRANS DETAIL ES-13A).

- PRIVATE LIGHTING GENERAL NOTES**
- ALL WORK AND MATERIALS SHALL BE IN FULL ACCORDANCE WITH THE LATEST RULES AND REGULATIONS OF THE STATE FIRE MARSHALL, FEDERAL AND ALL APPLICABLE CITY, COUNTY, STATE AND LOCAL UTILITY COMPANY REGULATIONS, N.E.C., AND THE LATEST APPROVED STANDARDS OF I.E.E.E., A.S.A., N.E.M.A., U.L. AND OSHA WHERE APPLICABLE. NOTHING IN THESE PLANS OR SPECIFICATIONS IS TO BE CONSTRUED TO PERMIT WORK NOT CONFORMING TO THE ABOVE. ALSO, ALL SECTIONS OF STATE OF CALIFORNIA P.U.C. G.O. 95 SHALL APPLY.
 - MATERIALS FURNISHED UNDER THIS SECTION OF THESE SPECIFICATIONS FOR WHICH UL STANDARDS HAVE BEEN ESTABLISHED SHALL BE LISTED AND BEAR THE LABEL OF UNDERWRITER'S LABORATORIES, INC.
 - WHERE REQUIREMENTS OF APPLICABLE CODES AND STANDARDS CONFLICT WITH THE DRAWINGS OR THESE SPECIFICATIONS, THE MORE STRINGENT REQUIREMENT SHALL GOVERN.
 - THE CONTRACTOR SHALL BE HELD RESPONSIBLE FOR ANY FIELD CHANGES MADE WITHOUT FIRST NOTIFYING & OBTAINING APPROVAL FROM CITY/COUNTY AGENCY & GIACALONE DESIGN SERVICES, INC.
 - CONTRACTOR TO INSTALL CIRCUIT GROUNDING AND GROUND WIRE IN CONDUIT PER N.E.C. STANDARDS AND LOCAL GOVERNING AGENCIES REQUIREMENTS.
 - A LIST OF ALL MATERIALS & SUPPLIERS SHOULD BE PROVIDED TO AUTHORITY HAVING JURISDICTION FOR APPROVAL.
 - GROUNDING & BONDING SHALL PROPERLY INTERCONNECT ALL METAL PARTS OF THE SYSTEM.
 - ALL CONNECTIONS SHALL BE SECURED WITH LOCK NUTS AND INSULATED BUSHINGS.
 - THE CONTRACTOR SHALL BE RESPONSIBLE FOR INSTALLING A COMPLETE OPERATING SYSTEM.
 - GIACALONE DESIGN SERVICES, INC. ASSUMES NO RESPONSIBILITY FOR ANY VARIANCE BETWEEN THESE PLANS AND THE ACTUAL FIELD CONDITIONS. CONTRACTOR SHOULD REVIEW PROJECT SITE PRIOR TO SUBMITTING ITS BID.
 - ANY CHANGES OR MODIFICATIONS TO PROPOSED LIGHT LOCATIONS SHALL BE APPROVED, IN WRITING, BY THE CITY/COUNTY AGENCY PRIOR TO INSTALLATION.
 - AS-BUILT DRAWINGS SHALL BE SUBMITTED TO THE STREET LIGHT ADMINISTRATION DEPT. OF THE CITY/COUNTY PRIOR TO ACCEPTANCE OF THE PRIVATE LIGHTING SYSTEM.



PRELIMINARY PLANS NOT FOR CONSTRUCTION



PUBLIC/PRIVATE LIGHTING: PUBLIC PRIVATE
PG&E RATE SCHEDULE: STANDARD METERED
INSTALL IN JOINT TRENCH:
INSTALL IN SEPARATE TRENCH:
CITY PERMIT REQUIRED:

LIGHTING CONTROL METHOD

PHOTOCELL IN EACH LIGHT FIXTURE
 METER PEDESTAL INTERNAL PHOTOCELL
 METER PEDESTAL TIME CLOCK
 BUILDING CONTROL PANEL

*NOTE: CONTRACTOR TO VERIFY ALL QUANTITIES AND SPECIFICATIONS PRIOR TO ORDERING.

LUMINAIRE SCHEDULE										
TYPE	LUMINAIRE	DIST.	MTG. HT.	ARM	POLE HT.	COLOR	MATERIAL	QUANTITY		
LED DECORATIVE	34W, 28LED, 120V	TYPE 3R	17'-6"	2'-0"	15'-0"	BKTX BLACK TEXTURED	ALUMINUM	5		

CAUTION:
CONTACT U.S.A. (811) (2) FULL WORKING DAYS PRIOR TO STARTING WORK IF EXISTING UTILITIES CONFLICT WITH POLE LOCATION, FIELD ADJUST TO CLEAR EXISTING UTILITIES A MINIMUM OF 3'-0".

CALL BEFORE YOU DIG

TWO DAYS BEFORE YOU DIG
CALL USA TOLL FREE
811



APPROVED

REVISIONS

SYMBOL	DATE	DESCRIPTION

GIACALONE
DESIGN SERVICES, INC.
5820 STONERIDGE MALL RD., #545 | PLEASANTON, CA 94588
925-467-1740 | WWW.GIACALONEDSIGN.COM

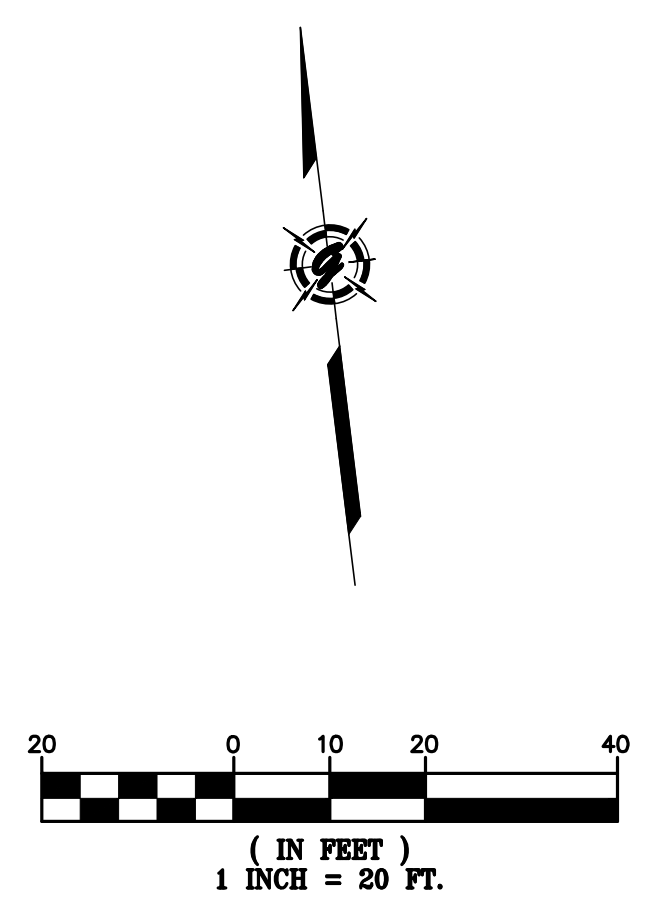
PRIVATE STREET LIGHTING TITLE SHEET

DENOVA HOMES, INC.
HUMMINGBIRD COTTAGES
19910 5TH STREET

CALIFORNIA

SONOMA

PROJECT MANAGER:
T. ARCAJA
DRAWN BY:
CCP
CHECKED BY:
D SHAY
SCALE:
AS SHOWN
JOB NUMBER:
21-179
DATE LAST MODIFIED:
09-17-21
SHEET
SL1
OF 2 SHEETS



LEGEND

	PROPOSED 1 1/2" SCH. 40 PVC CONDUIT
	PROPOSED POST TOP STREET LIGHT (34W)
	STREET LIGHT BOX (STATE TYPE 3 1/2)
	METERED SERVICE PEDESTAL
	PG&E SECONDARY BOX
	IRRIGATION CONTROLLER (BY OTHERS)
	FIRE HYDRANT (BY OTHERS)

NOTE:
CONDUIT SHOWN SCHEMATICALLY. REFER TO JOINT TRENCH COMPOSITE PLAN FOR EXACT TRENCH AND BOX LOCATIONS.

CAUTION:
CONTACT U.S.A. (811) (2) FULL WORKING DAYS PRIOR TO STARTING WORK IF EXISTING UTILITIES CONFLICT WITH POLE LOCATION, FIELD ADJUST TO CLEAR EXISTING UTILITIES A MINIMUM OF 3'-0".

**PRELIMINARY PLANS
NOT FOR CONSTRUCTION**

METER PEDESTAL SCHEDULE

SPECIFICATION INFORMATION							LOAD INFORMATION						
DESIGNATION	OWNER	MANUFACTURER	PANEL SIZE	VOLTAGE	PHASE	COLOR	LTG	IRR	P	EV	LV	SP	MISC
(M)	HOA	TESCO 26-100	100A	120/240	1Ø	RAL-7043	X	X					X

LTG=Lighting, IRR=Irrigation, P=Pump, EV=Electric Vehicle Charger, LV=Low Voltage Lighting, SP=Spare, MISC=Miscellaneous
 *NOTES: CONTRACTOR TO VERIFY ALL QUANTITIES AND SPECIFICATIONS PRIOR TO ORDERING.
 -J.T. CONTRACTOR TO INSTALL PG&E SERVICE CABLE-

TWO DAYS BEFORE YOU DIG
CALL USA TOLL FREE
811
CALL BEFORE YOU DIG



REVISIONS

SYMBOL	DATE	DESCRIPTION	APPROVED

GIACALONE
DESIGN SERVICES, INC.
5820 STONERIDGE HALL DR., #545 | PLEASANTON, CA 94688
925.467.1740 | WWW.GIACALONEDSIGN.COM

PRIVATE STREET LIGHTING SITE PLAN
DENOVA HOMES
HUMMINGBIRD COTTAGES
19910 5TH STREET
SONOMA CALIFORNIA

PROJECT MANAGER:
TOM ARCAYA
DRAWN BY:
CCP
CHECKED BY:
DAVID CROWFOOT P.E.
SCALE:
1"=20'
JOB NUMBER:
21-179
DATE LAST MODIFIED:
09-17-21
SHEET
SL2
OF 2 SHEETS