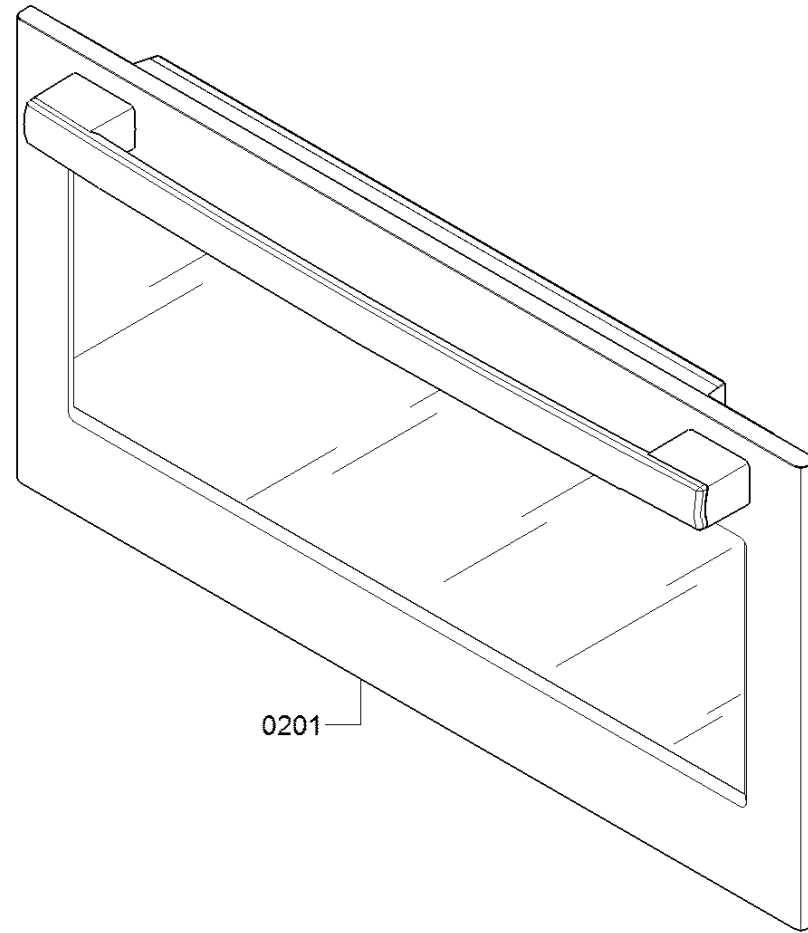


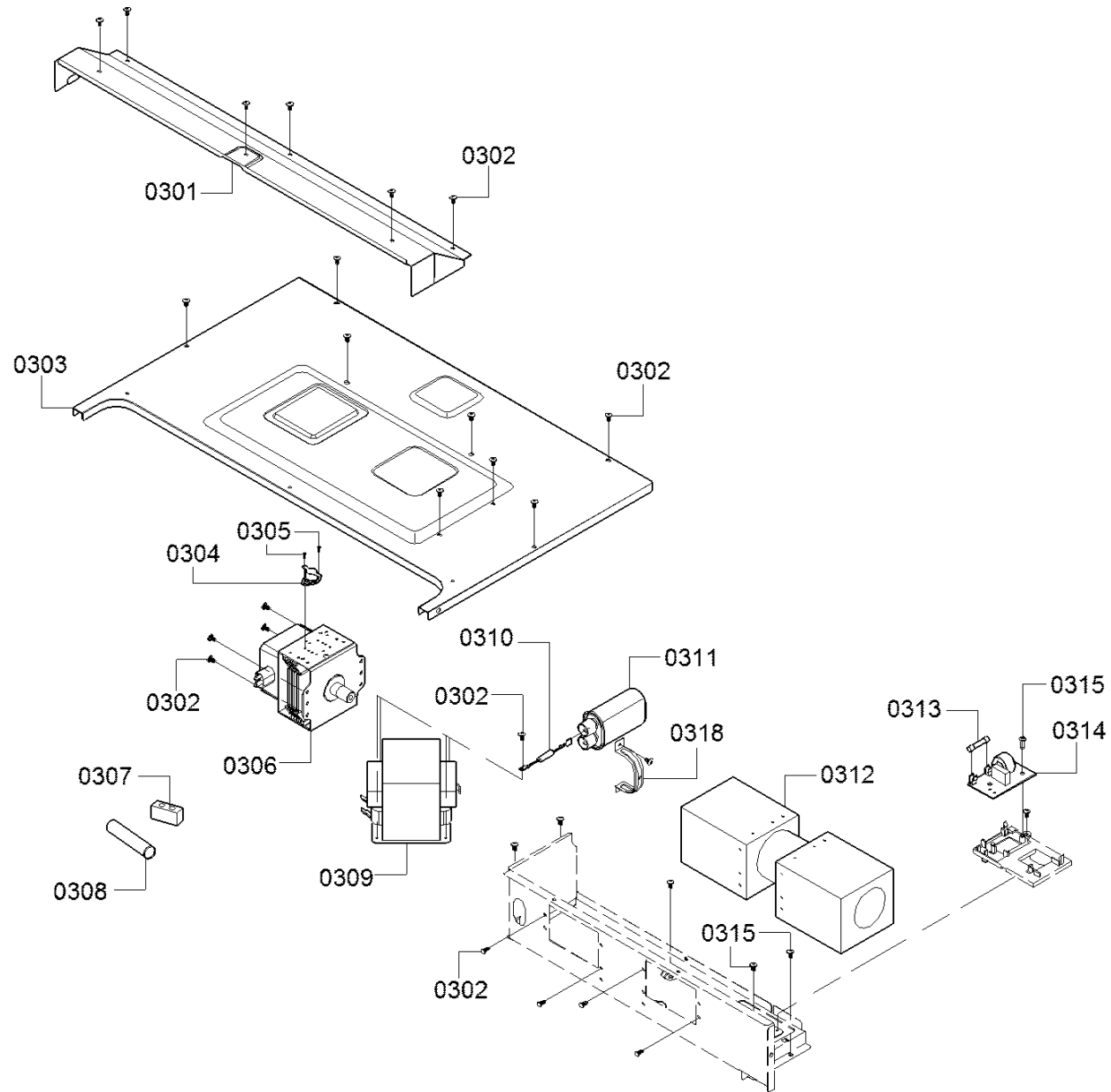
0199

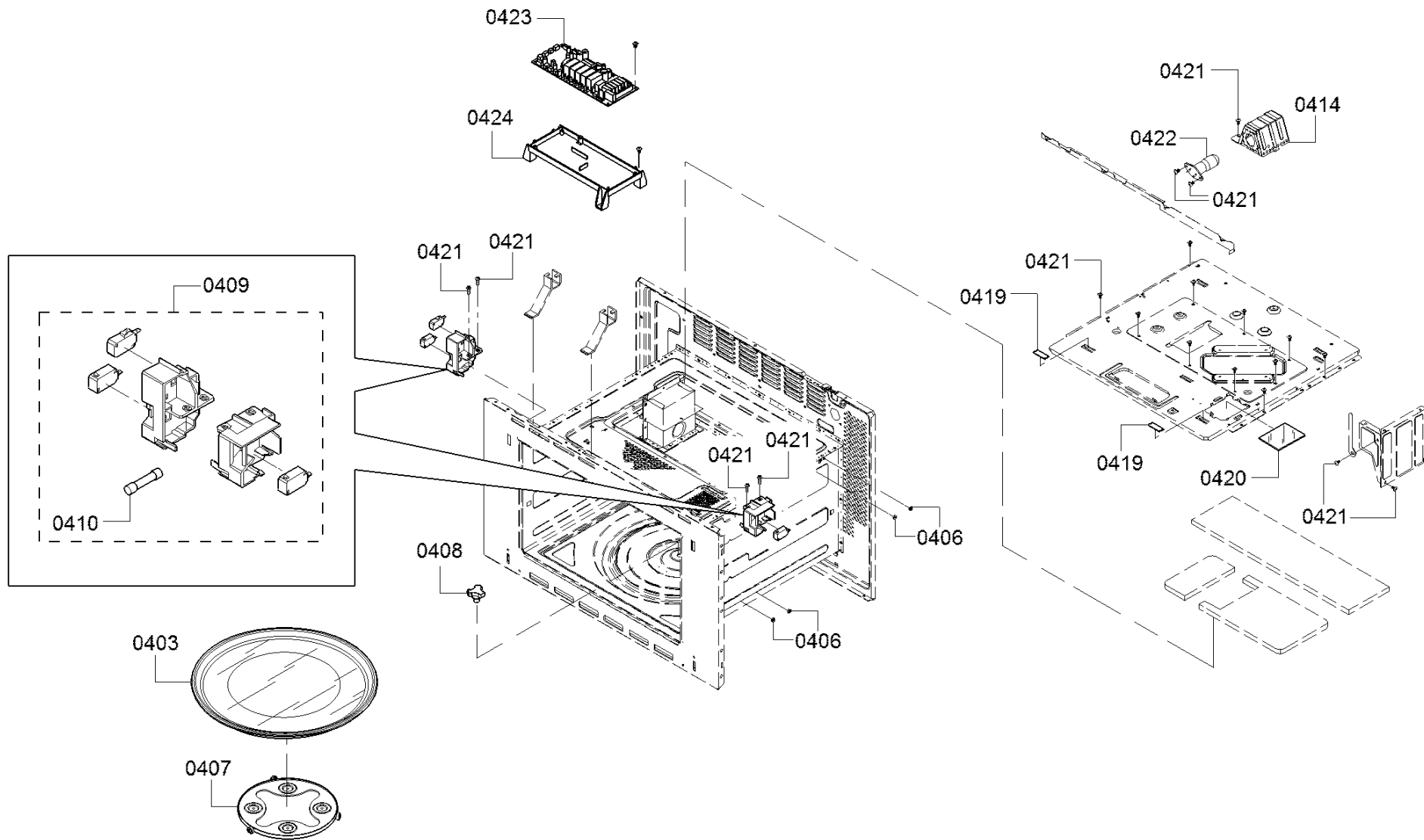


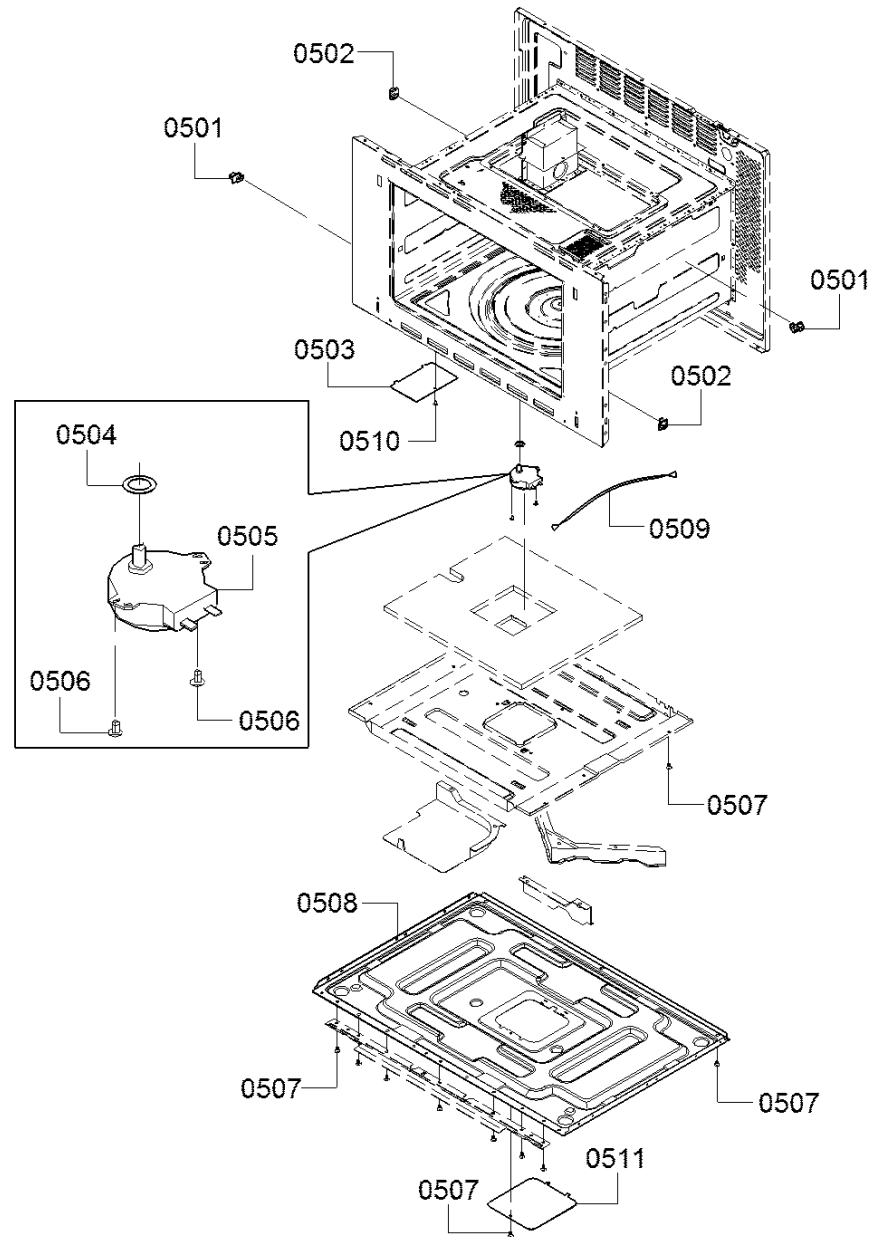
0197

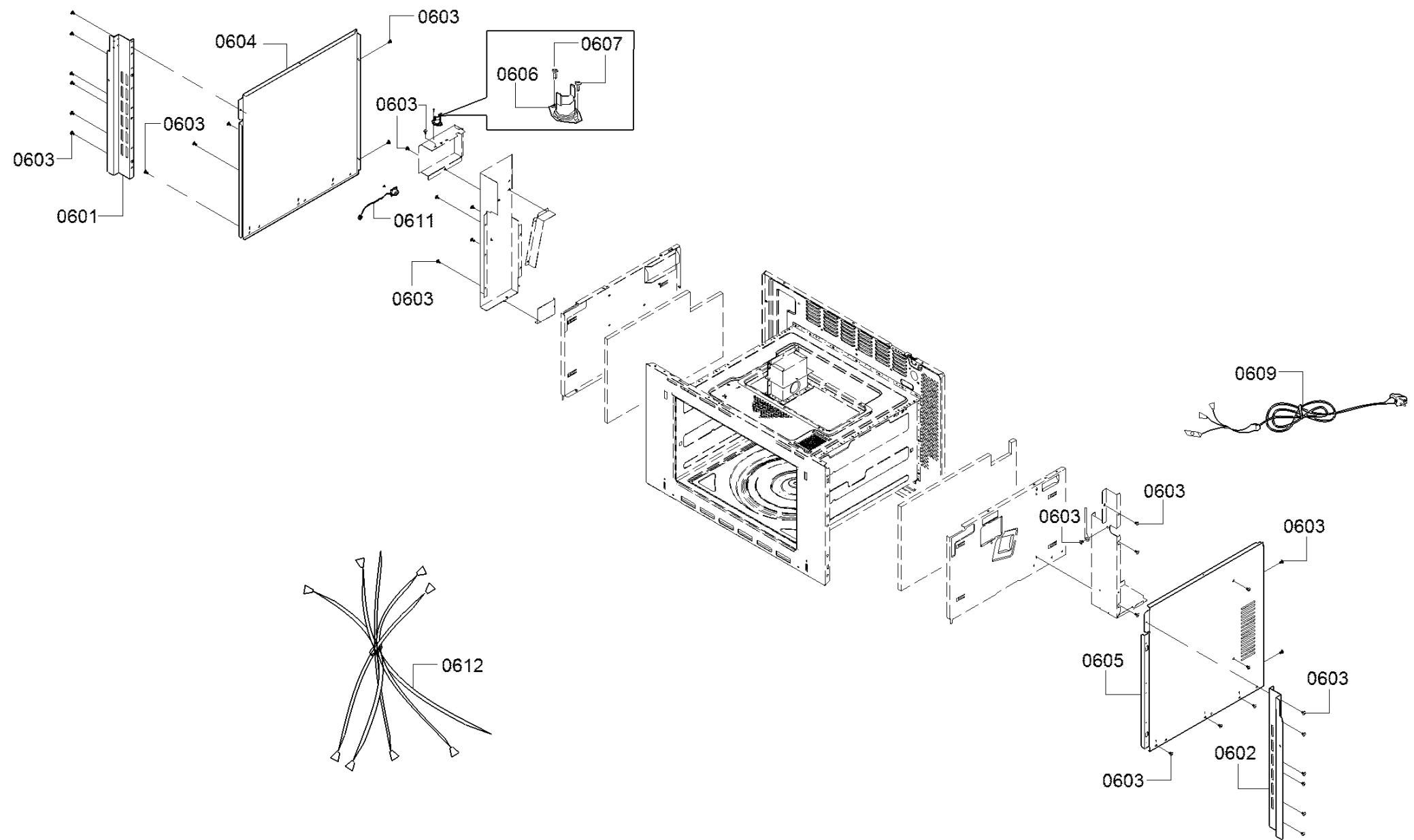


0201









Mar 2, 2025

Bill-of-material

1

Item Number	Material Number	Material Shorttext	Infotext	Substitute Material Number
0101	00777208	Control unit	Control Panel	20001401
0102	00717515	Controller unit	Control Panel Complete	
0103	12033156	Loudspeaker	Speaker assembly	
0104	00631577	Screw	Screw, CT4*8TBHC	
0197	10016213	Screw-set	Screws for inner panel - full screw assembly for microwave	
0201	00717514	Door	Door Assembly, Complete	
0301	00715820	Cover	Case Cover	
0302	00631577	Screw	Screw, CT4*8TBHC	
0303	11016914	Cover	Top Cover	
0304	00631508	Regulator-temperature	Thermostat	
0305	00631575	Screw	Screw, ST3*8PBHC	
0306	10001590	Magnetron	Magnetron may look different than original. It will mount the same but , the harness connection will be 45 degrees different.	
0307	10001591	Holder	Holder Rubber	
0308	00631509	Fuse	H.V. fuse	
0309	00145870	Transformer-high voltage	High Voltage Transformer	
0310	10001605	Diode	Diode	00625682
0311	12014084	Capacitor-high voltage	capacitor	
0312	00795453	Blower motor	Fan motor	
0313	00631510	Fuse	Fuse	

Item Number	Material Number	Material Shorttext	Infotext	Substitute Material Number
0314	11016939	Frequency filter	Filter, Noise	
0315	00631576	Screw	Screw, ST4*12PwBHC	
0318	12014085	Holder	Holding Strap, HV Capacitor	
0403	00775125	Turntable	Tray, Turntable	
0407	00756420	Ring-turntable		
0408	10001607	Drive coupling	Turntable Coupling	
0409	12038730	Switches group	Svc kit. contains RH and LH switch holder, 1x monitor switch, 2x door , switch, and 1x lever pre-installed. (includes 1x 20amp fuse)	
0410	00631510	Fuse	Fuse	
0414	10001611	Cover	Light Cover	
0419	00617098	Cover	Cover	
0420	12014088	Glass cover	Glass Cover, Lamp	00617096
0421	00631576	Screw	Screw, ST4*12PwBHC	
0422	12013471	Lamp	LED Lamp	
0423	12022489	Power supply unit	Power Supply, PCB	
0424	11025139	Mounting bracket	Bracket, PCB	
0501	00631439	Support	Rack support, A	
0502	00631440	Support	Rack support, B	
0503	12014089	Waveguide	Cover, Waveguide	00617090
0505	12014093	Turntable motor	Turntable Motor	
0508	00795452	Panel	Base plate	

Mar 2, 2025

Bill-of-material

3

Item Number	Material Number	Material Shorttext	Infotext	Substitute Material Number
0509	00648816	Cable harness	Cable harness	
0510	00631579	Screw	Screw hot air sheet, CT4*10TB SUS	
0511	12022515	Cover	Cover, Motor	
0601	11035806	Trimplate	Bracket, Trim-Left - SS	
0602	11035807	Trimplate	Bracket, Trim-Right - SS	
0604	00775131	Panel side	Side Panel, LH	
0605	00775133	Panel side	Side Panel, RH	
0606	10001632	Limiter-temperature	Thermostat	
0609	12014095	Power cord	AC Power Cord	
0611	12014096	Sensor	Humidaty Sensor	
0612	12035539	Cable harness	Cable harness	