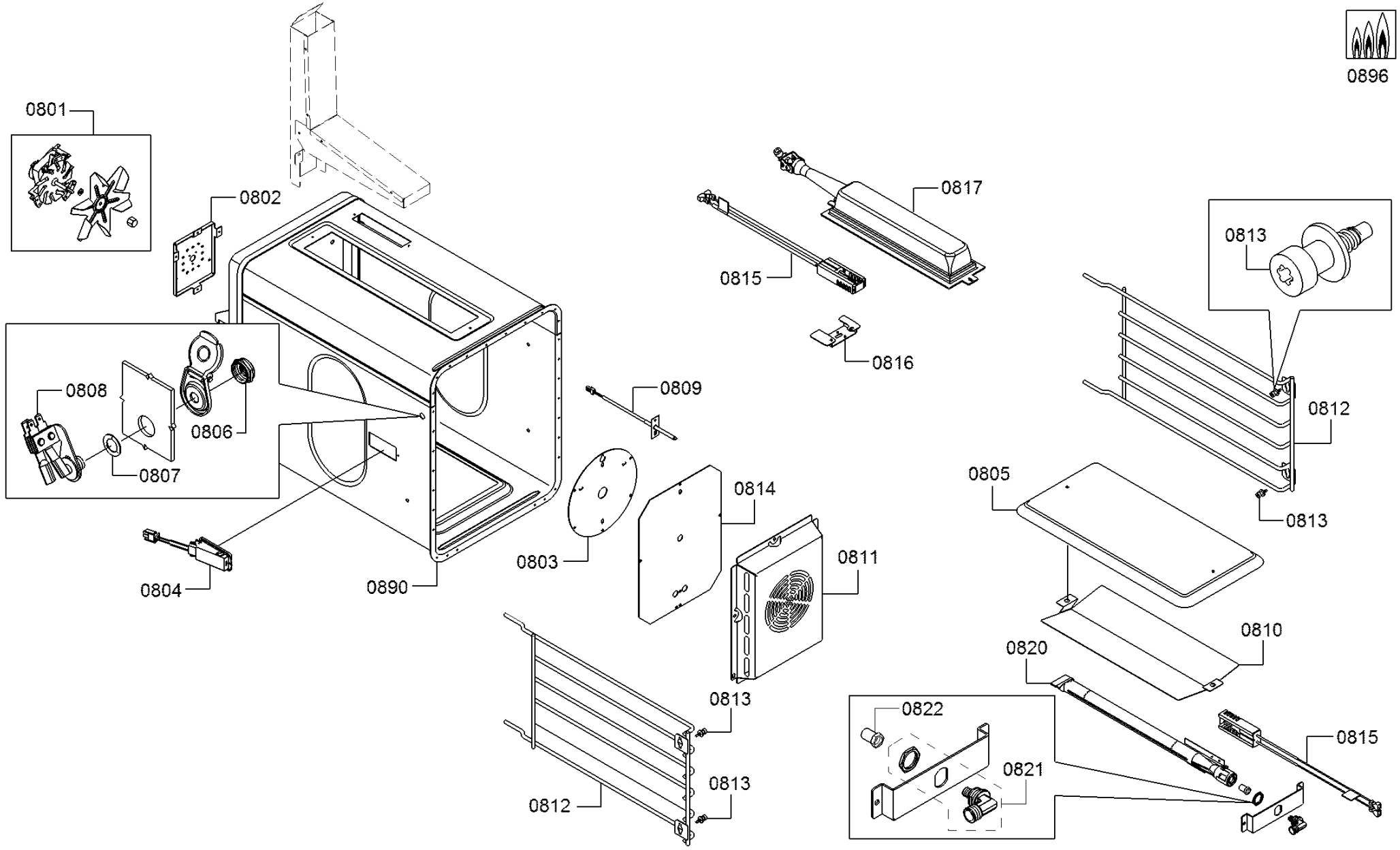
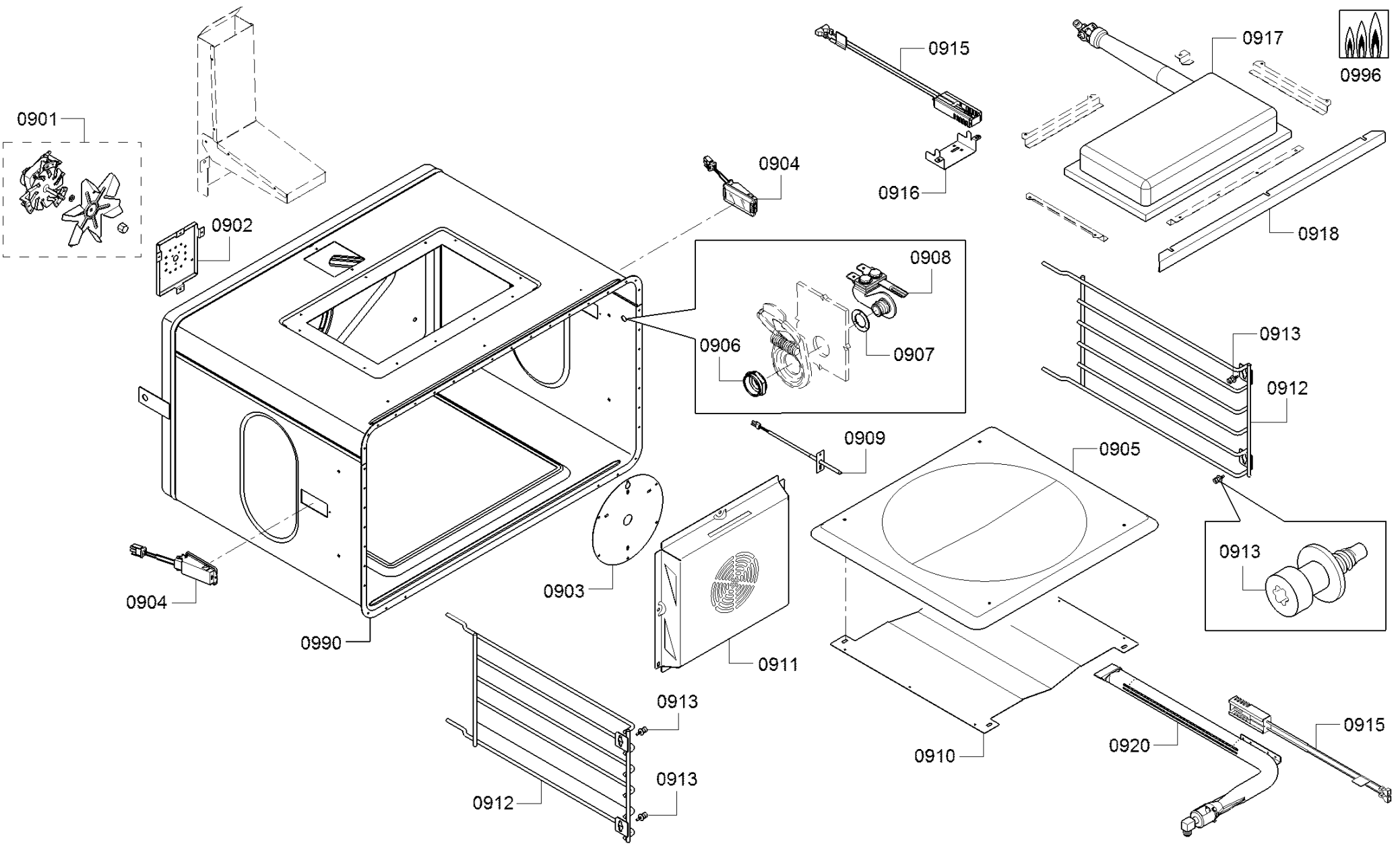
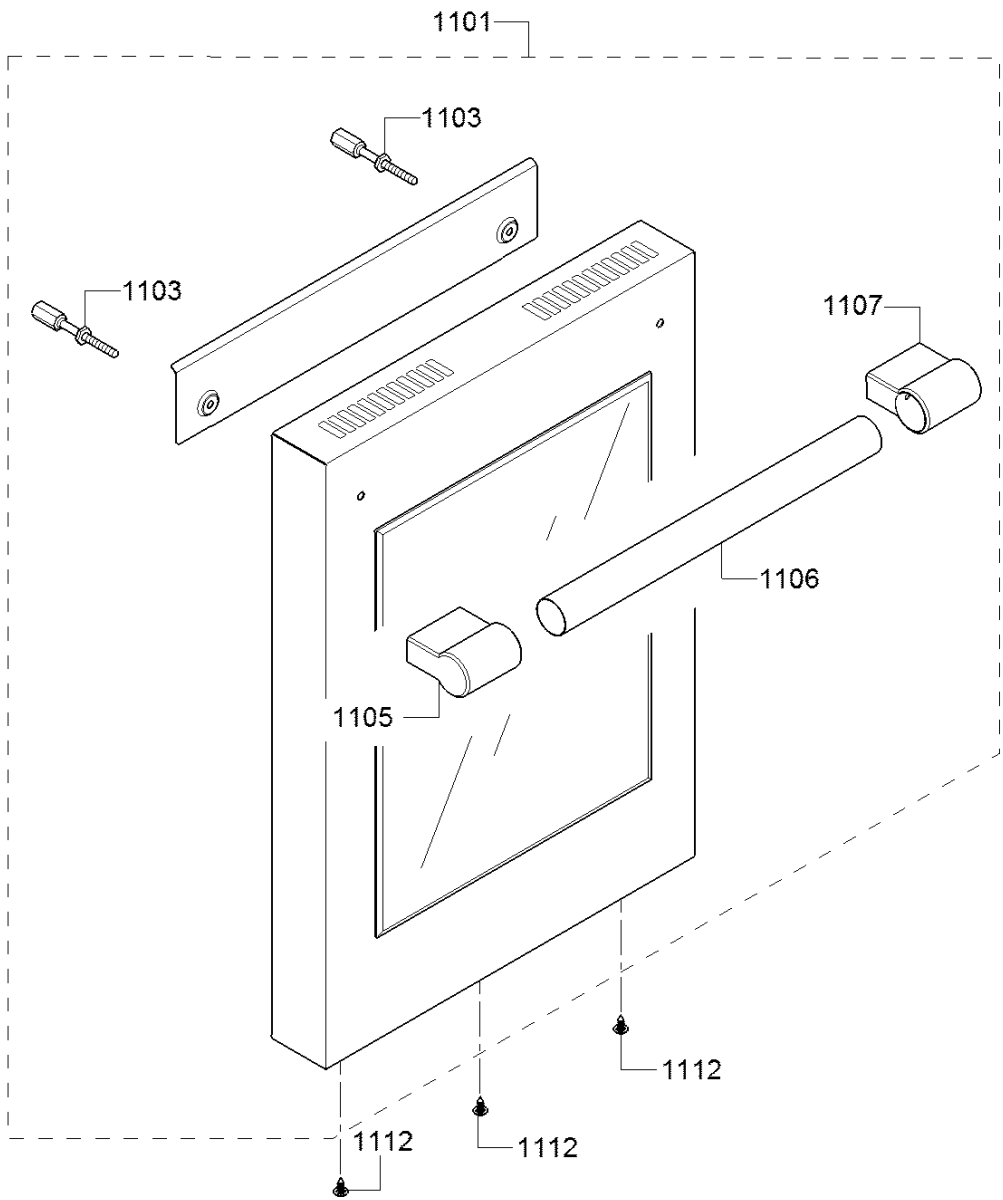
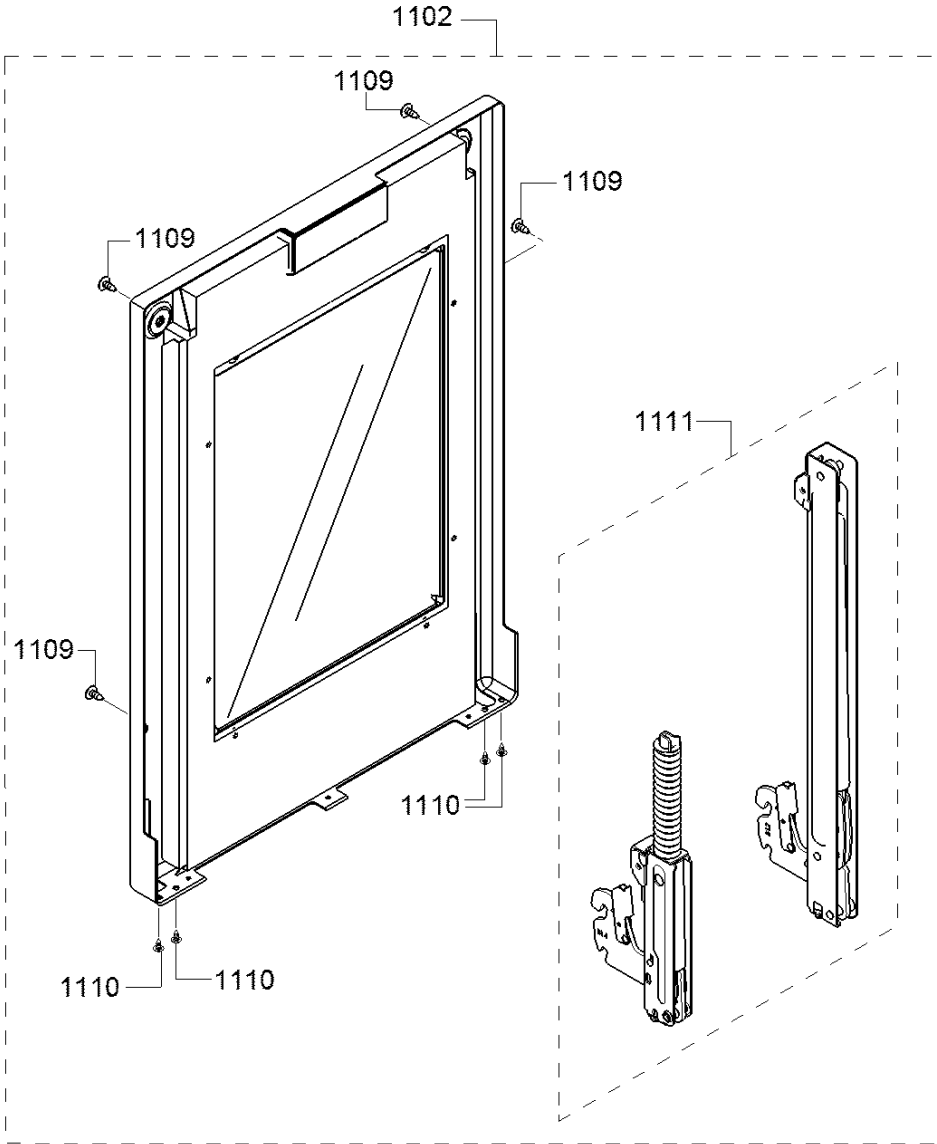


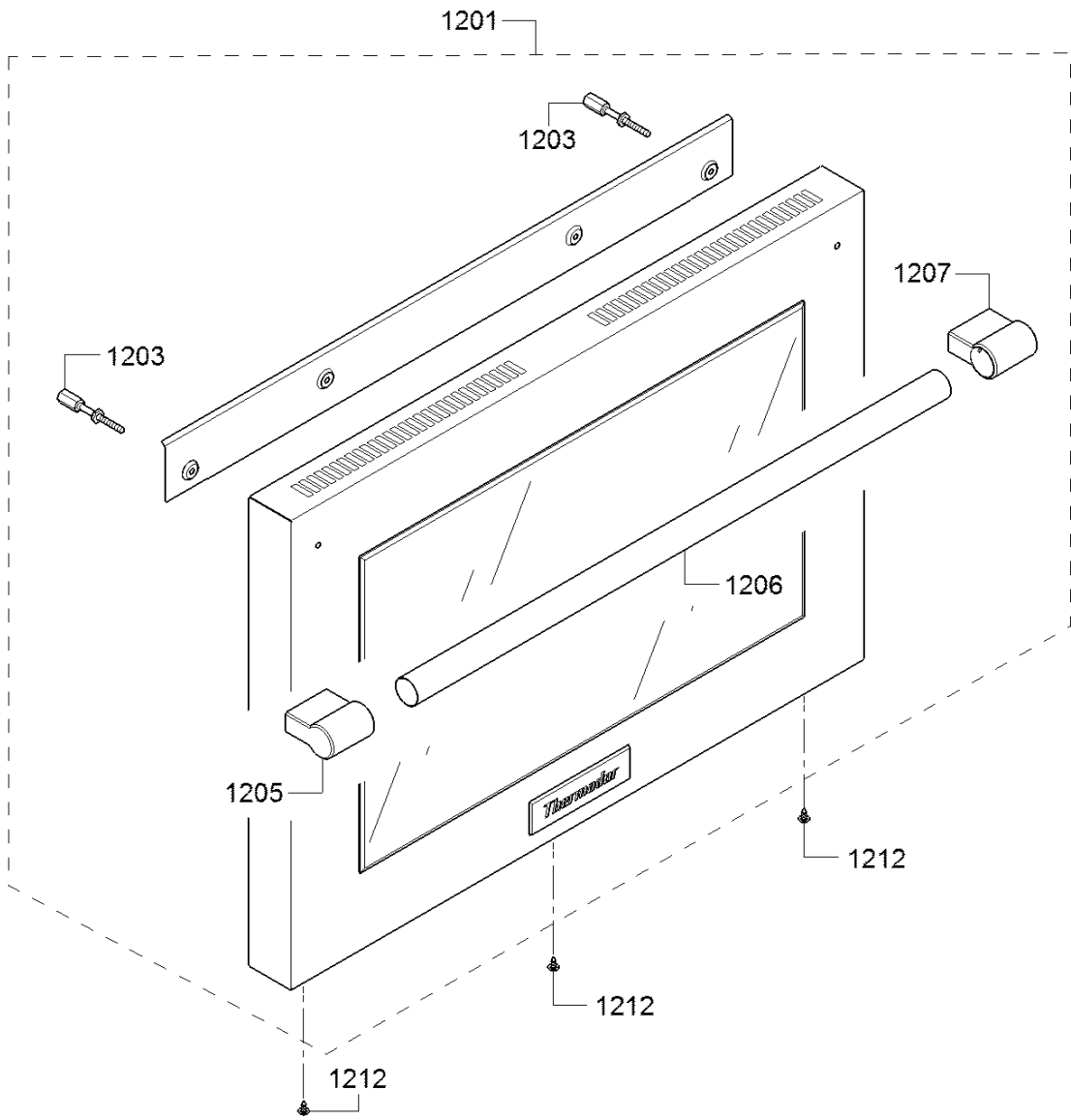
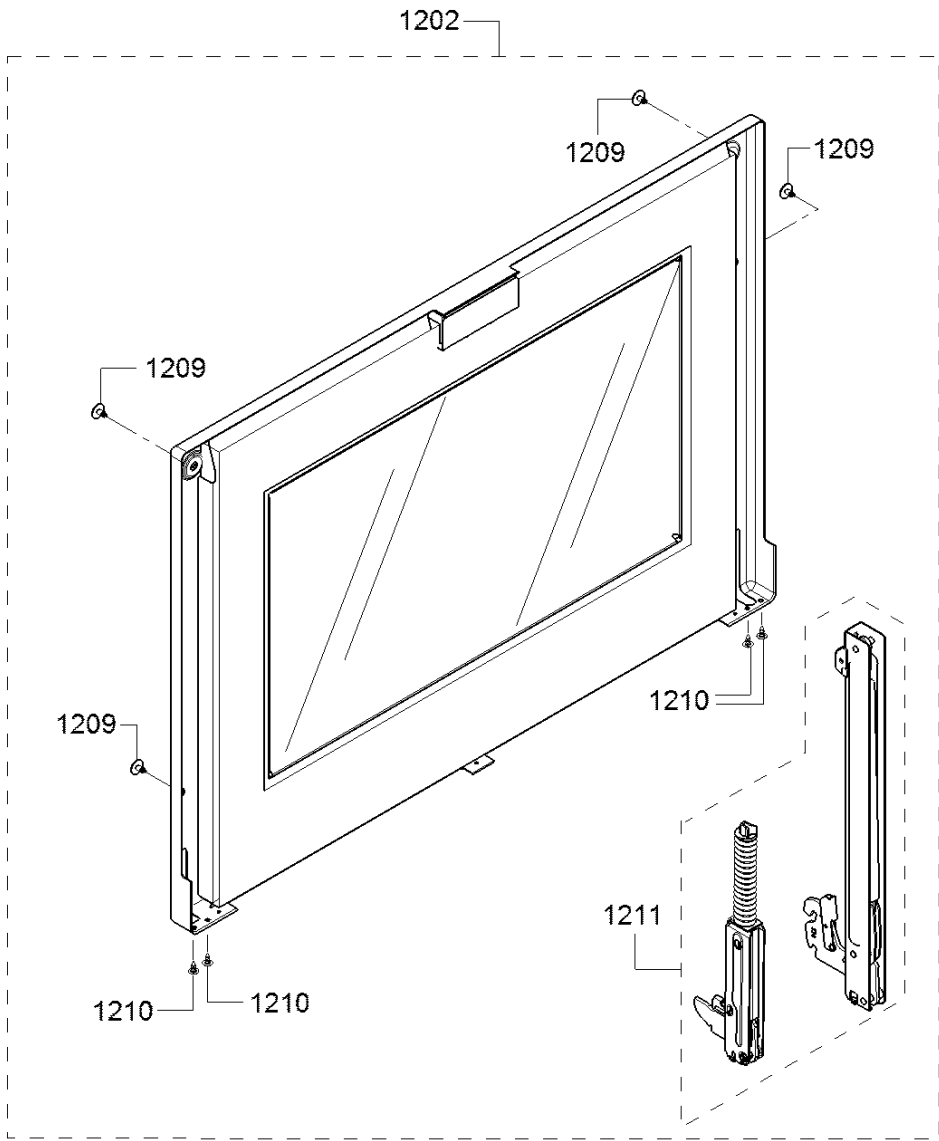


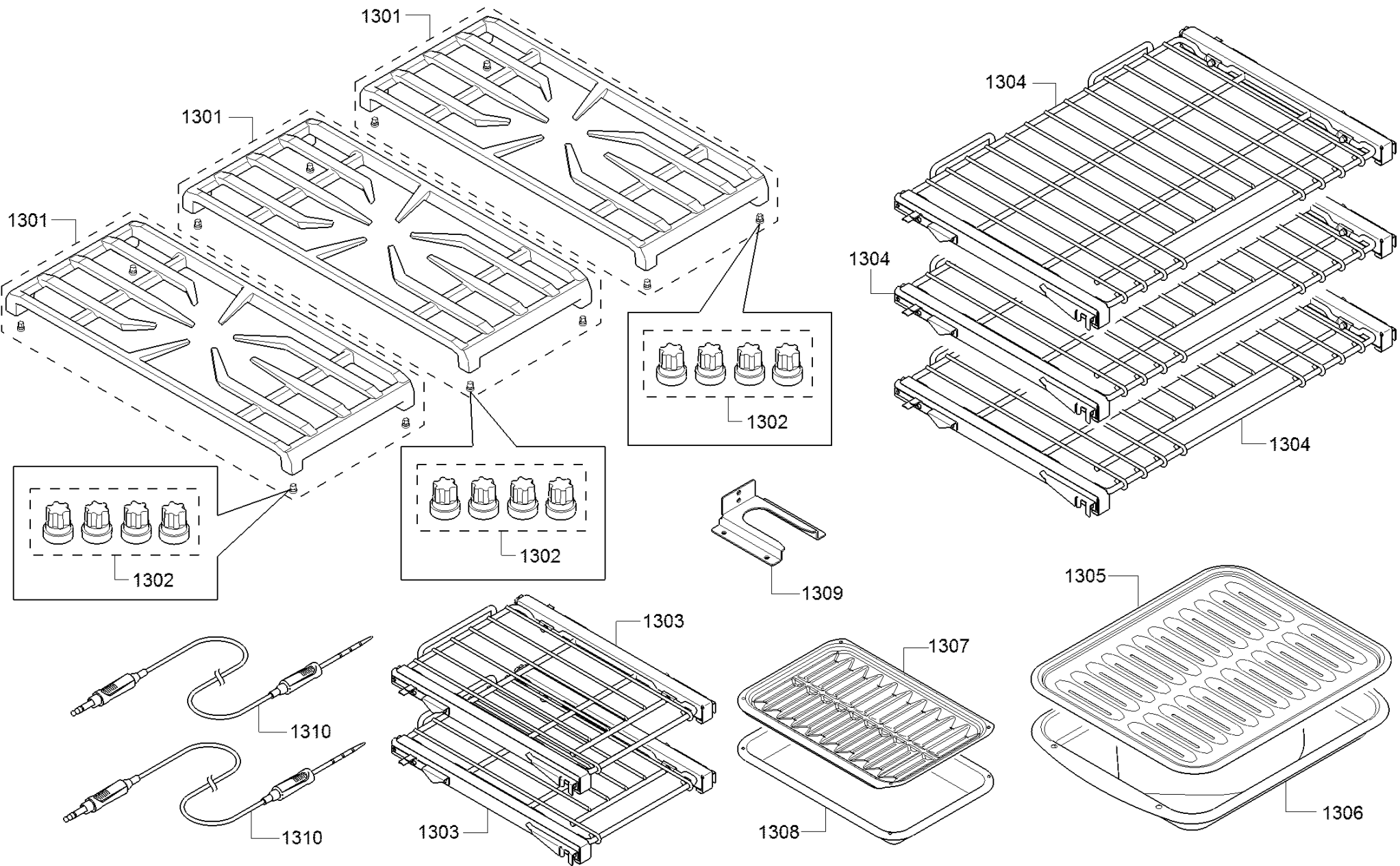
0896











Mar 2, 2025

Bill-of-material

1

| Item Number | Material Number | Material Shorttext | Infotext | Substitute Material Number |
|-------------|-----------------|-------------------------------|--|----------------------------|
| 0101 | 00146137 | Back wall panel | Trim, island 48" grand | |
| 0102 | 23000092 | Back panel | MAIN OVEN BACK PANEL | |
| 0103 | 00649417 | Cover | COVER, WIRE DOOR | 00752161 |
| 0104 | 12028699 | Back panel | Back Panel, 12" Oven | |
| 0105 | 20000392 | Panel side | SIDE PANEL, LEFT, GRAND, 48", ALL PRO | |
| 0106 | 20000393 | Panel side | SIDE PANEL, RIGHT, GRAND, 48, ALL PRO | |
| 0107 | 10008212 | Screw | SCREW, #10-16 X 7/16, PH, T20, 1018, ZINC | |
| 0108 | 00623741 | Screw | SCREW, #8 TYPE AB T20 PH SH SS/NK COAT | |
| 0109 | 20000018 | Panel-facia | Control Panel P24 Finished 364 Grill | |
| 0201 | 12024418 | Module-relay | IRIS XLO MODULE | |
| 0202 | 12024417 | Module-relay | IRIS STANDARD MODULE | |
| 0203 | 00617931 | Display | LED, BLUE, OVEN INDICATOR | |
| 0204 | 11032519 | Bracket | BRACKET TEMP GAUGE ALL PRO | |
| 0205 | 00609115 | Switch | SWITCH, OVEN LIGHT, CHROME | |
| 0206 | 11032495 | Display module not programmed | User interface assembly, main (Programming | |

| Item Number | Material Number | Material Shorttext | Infotext | Substitute Material Number |
|-------------|-----------------|----------------------------------|---|----------------------------|
| | | | required with , "iService" Customer Service software) | |
| 0206 | 12028845 | Display module programmed | Programmed Board; Home Connect coding required after install. , Svc kit PRG486WDG Only Pseudo coding info added | |
| 0207 | 11032497 | Display module not programmed | User interface assembly, aux (Programming required with , "iService" Customer Service software) | |
| 0207 | 11032514 | Display module programmed | User interface assembly, aux (UI#16) | |
| 0209 | 10011872 | Switch-selector | Dual Encoder digital 7 & 19 positions | |
| 0210 | 11033021 | Light bar | LIGHTBAR, BULLNOSE, 48" | |
| 0211 | 20000043 | Support | Bull Nose 48" P27 | 23000468 |
| 0212 | 00623615 | Nut | 7mm(9/32in) hex-M4-0.7 thread-Zinc Plated Steel | |
| 0213 | 20000029 | Panel-facia | Control Panel P27 Finished 486 Griddle | |
| 0214 | 10008212 | Screw | SCREW, #10-16 X 7/16, PH, T20, 1018, ZINC | |

| Item Number | Material Number | Material Shorttext | Infotext | Substitute Material Number |
|-------------|-----------------|-----------------------|---------------------------------------|----------------------------|
| 0215 | 10008201 | Ring | Bezel, Standard Knob All Pro | |
| 0216 | 00418122 | Ring | BEZEL,OVEN LIGHT SWITCH | |
| 0217 | 10010231 | Encoder | All Pro Dual Encoder Bezel | |
| 0218 | 10011598 | Knob | KNOB, XHI BURNER | |
| 0219 | 10008199 | Knob | Knob XLO Rangetop 5 Burner | |
| 0220 | 12034239 | Display-temperature | Temperature guage, with filter | |
| 0221 | 10012000 | Ring | 12" Mode Ring for Grand Gas | |
| 0222 | 10011873 | Ring | Mode ringe, 30/36 grand gas | |
| 0224 | 00623921 | Regulator-temperature | THERMOSTAT, GRIDDLE, EGO POSITIVE OFF | |
| 0225 | 00617886 | Display | LED, BLUE, COOKTOP INDICATOR | |
| 0226 | 10008200 | Knob | Knob, Standard Burner | |
| 0227 | 10010230 | Knob | Temp Self Clean Knob | |
| 0228 | 10009568 | Knob | Knob, griddle | |
| 0301 | 10004490 | Burner cap | Star burner cap, Size D | |
| 0302 | 10004489 | Burner cap | Star burner cap, size F | |
| 0303 | 10004493 | Burner | Star burner base, size D | |
| 0304 | 10004492 | Burner | Star burner base, size F | |

| Item Number | Material Number | Material Shorttext | Infotext | Substitute Material Number |
|-------------|-----------------|--------------------|--|----------------------------|
| 0305 | 10004495 | Venturi nozzle | Venturi, size D/F | |
| 0306 | 10006471 | Electrode | Electrode, top, Burner | |
| 0307 | 10008211 | Screw | SCREW, M3 - 0.5 X 6, PH T10, TRILOBE, ZINC | |
| 0308 | 10004498 | Burner housing | Star burner pedestal, size D | |
| 0309 | 10004497 | Burner housing | Star burner pedestal, size F | |
| 0310 | 10004531 | Screw | Fastner, pedestal to jet holder replacement, screw | |
| 0311 | 10006793 | Jet | Jet holder, 15k NG | |
| 0312 | 10006797 | Jet | Jet holder, 18k NG | |
| 0313 | 12007259 | Ignition device | Ignition Assembly | |
| 0314 | 00701902 | Rail | RAIL | |
| 0315 | 00687075 | Tray | MAINTOP TRAY, 4-BURNER, 24-INCH | |
| 0316 | 12024446 | Heat shield | Shield Plate, 4 Burner | |
| 0317 | 10006795 | Jet | Jet holder, 22k NG | |
| 0401 | 10004490 | Burner cap | Star burner cap, Size D | |
| 0402 | 10004489 | Burner cap | Star burner cap, size F | |
| 0403 | 10004493 | Burner | Star burner base, size D | |
| 0404 | 10004492 | Burner | Star burner base, size F | |
| 0405 | 10004495 | Venturi nozzle | Venturi, size D/F | |
| 0406 | 10006471 | Electrode | Electrode, top, Burner | |
| 0407 | 10008211 | Screw | SCREW, M3 - 0.5 X 6, PH T10, TRILOBE, ZINC | |

| Item Number | Material Number | Material Shorttext | Infotext | Substitute Material Number |
|-------------|-----------------|--------------------|--|----------------------------|
| 0408 | 10004498 | Burner housing | Star burner pedestal, size D | |
| 0409 | 10004497 | Burner housing | Star burner pedestal, size F | |
| 0410 | 10004531 | Screw | Fastner, pedestal to jet holder replacement, screw | |
| 0411 | 10006793 | Jet | Jet holder, 15k NG | |
| 0412 | 10006797 | Jet | Jet holder, 18k NG | |
| 0413 | 12007259 | Ignition device | Ignition Assembly | |
| 0414 | 00701902 | Rail | RAIL | |
| 0415 | 11013687 | Hob top | Spill tray, two-burner, 12" | |
| 0416 | 10008221 | Heat shield | Shield Plate, 2 burner | |
| 0501 | 11032438 | Gas tap | GAS LIN, LR, P27 | |
| 0502 | 11032439 | Gas tap | GAS LINE, LF, P27 | |
| 0503 | 11032863 | Gas tap | Gas line, left center rear | |
| 0504 | 11032862 | Gas tap | Gas line, left center front | |
| 0505 | 11032440 | Gas tap | GAS LINE, RR, P27 | |
| 0506 | 11032441 | Gas tap | GAS LINE, RF, P27 | |
| 0507 | 11033158 | Gas tap | Gas Line Bake AUX | |
| 0508 | 11033159 | Gas tap | Gas Line Broil AUX P27 (alternative) | |
| 0509 | 11033157 | Gas tap | 48" Main P27 ASM, Gas Line Bake | |
| 0510 | 11033160 | Gas tap | Gas Line Broil ASM Main 48" P27 | |

| Item Number | Material Number | Material Shorttext | Infotext | Substitute Material Number |
|-------------|-----------------|------------------------|---|----------------------------|
| 0511 | 00605061 | Valve-two way | GAS VALVE, DUAL, FLARE OUTLETS | |
| 0512 | 11034095 | Gas tap | Gas line Manifold to Main Safety Valve | |
| 0513 | 00607662 | Connection | FITTING, BRASS, 1/2IN NPT x 3/8IN CC | |
| 0514 | 00423093 | Valve | Valve , Solenoid Direct Mount 110 DC Coil | |
| 0515 | 11034096 | Gas tap | Gas line safety valve to AUX | |
| 0516 | 10011560 | Connection piece | Connector, nipple .5 npt x 1.5, black iron | |
| 0517 | 00601543 | Connection | TEE, 1/2" BLACK IRON | |
| 0518 | 00425942 | Installation accessory | Nipple, 1/2" pipe, 2" long | |
| 0520 | 10010270 | Installation accessory | Nipple-Flare, 1/2 to 1/2" FNPT 3/4 MNPT | |
| 0521 | 11033161 | Gas tap | Gas Line 48" Grand Gas Man-Man Assy | |
| 0522 | 10003806 | Valve | Valve, Bolt thru, XLO (| |
| 0523 | 10009155 | Valve | Standard valve | |
| 0524 | 00420807 | Screw | Screw Valve 1/4-20x5/16 W/ SILI Wash | |
| 0525 | 20000140 | Manifold | MANIFOLD ASM 2 POS RIGHT 2 XLO | |
| 0526 | 20000265 | Manifold | Manifold, 4 position left 2xlo/2 std | |

| Item Number | Material Number | Material Shorttext | Infotext | Substitute Material Number |
|-------------|-----------------|----------------------------------|---|----------------------------|
| 0527 | 10009569 | Bracket | Manifold bracket, side adjust | |
| 0528 | 00754658 | Regulator-pressure | REGULATOR, GAS 1/2 X 1/2 NPT RV48NCL | |
| 0529 | 10010200 | Adapter | 45 Degree flared x 1/2 MNPT Fitting | |
| 0530 | 11033031 | Hose-inlet | 48" Main Inlet Gas Line- Grand | |
| 0531 | 10011592 | Extension for inlet | Gas Inlet, Weldment Assy, Grand | |
| 0532 | 10024732 | Retaining plate | SVC - KIT, DF GRIDDLE | |
| 0601 | 00778241 | Grill plate smooth | Griddle 12" | |
| 0602 | 12024437 | Tray | Grease tray, coated | |
| 0603 | 11028221 | Heating element | Element, 120V Griddle, All Pro | |
| 0604 | 12024439 | Retaining plate | Retainer, Griddle Element | |
| 0605 | 12024438 | Insulating part | Insulation, griddle, Superwool+ | |
| 0606 | 12024440 | Cable harness | Harness, Griddle Gas, All Pro | |
| 0701 | 11032521 | Control module programmed | Control module programmed | |
| 0701 | 12025831 | Control module not programmed | Control module not programmed | 10029308 |
| 0702 | 00418283 | Support | Stand-off (support) for control module | |

| Item Number | Material Number | Material Shorttext | Infotext | Substitute Material Number |
|-------------|-----------------|---------------------|--|----------------------------|
| 0703 | 12024477 | Control module | Daughter, board, BIO, C | 12034882 |
| 0704 | 12028138 | Limiter-temperature | ELECTRONICS - THOR_MMB_PTC - LIMITER | |
| 0706 | 10005470 | PC board | Knob board, Pro, THD , electronic complete H_ADM_KNB_1 | |
| 0707 | 00489194 | Transformer | Lights, oven PRO | |
| 0708 | 12031987 | Connectivity module | COM module for Home Connect | |
| 0709 | 10008933 | Clip | Relockable clip-wire pushmount | |
| 0710 | 10010202 | Clip | Relockable Pushmount 12.7 wire clip | |
| 0711 | 10008207 | Ignition cable | IGNITER WIRE, RANGETOP, 25KV 12" | |
| 0712 | 12024415 | Ignition cable | IGNITER WIRE, RANGETOP, 25KV 25" | |
| 0713 | 12028783 | Cable harness | 48" Harness Gas Encoder Pro Grand | |
| 0714 | 12024414 | Cable harness | HARNESS, SIMMER SOLENOID ADAPTER | |
| 0715 | 12028039 | Cable harness | HARNESS, ALL PRO, GAS, MAIN | |

| Item Number | Material Number | Material Shorttext | Infotext | Substitute Material Number |
|-------------|-----------------|--------------------|---|----------------------------|
| 0716 | 12028077 | Cable harness set | HARNESS D-BUS, KNOB BOARD UI, PM | |
| 0717 | 12026925 | Cable harness | Harness, D-Bus, limiter | |
| 0720 | 12026870 | Cable harness | 48" Rangetop Iris Harness | |
| 0721 | 12028509 | Cable harness | Harnessm adapter iriss | |
| 0722 | 12024436 | Cable harness | Harness, Module Adapter IRIS | |
| 0723 | 11032801 | Cable harness | Harness, DBUS home connect | |
| 0724 | 12028086 | Adapter | TEMP GAUGE/LIGHT BAR SWITCH ADAPTER | |
| 0725 | 12028683 | Cable harness | Aux harness, all Pro Gas | |
| 0726 | 12028784 | Adapter | Harness Adapter, Convection, Gas, Grand | |
| 0727 | 12028597 | Cable harness | Harness, door interface adapter | |
| 0728 | 12028087 | Cable harness | HARNESS, D BUS, 4-WIRE, 18" | |
| 0729 | 12028082 | Cable harness | HARNESS, LED ADAPTER | |
| 0730 | 12026846 | Cable harness | 12" DBus Service Harness | |
| 0731 | 12028136 | Adapter | HARNESS ADAPTER, MULTI-POINT PROBE | |
| 0732 | 00656309 | Power cord | CORD, POWER, 364/486 RANGE | 00752650 |
| 0733 | 00423966 | Cable strap | Tie Cable Pushmount | |

| Item Number | Material Number | Material Shorttext | Infotext | Substitute Material Number |
|-------------|-----------------|----------------------|--|----------------------------|
| 0801 | 00497756 | Motor | MOTOR ASSY, CONVECTION FAN, P364 | |
| 0802 | 00489178 | Bracket | BRACKET, CONVECTION MOTOR | |
| 0803 | 00655581 | Put-underneath-plate | PLATE, COVER, REAR SHIELD, 12-INCH | |
| 0804 | 10007424 | Lamp | Oven lamp | |
| 0805 | 11036762 | Cover | Cover, bottom, gas AUX 48" | |
| 0806 | 10010225 | Nut | Hex Nut | |
| 0807 | 00605039 | Washer | WASHER, MEAT PROBE RECEPTACLE | |
| 0808 | 10008183 | Socket | Receptacle, Polarity, Mt Probe | |
| 0809 | 00627375 | Temperature sensor | SENSOR, PLATINUM WAKO RTD W/ WIRE SLEEVE | |
| 0810 | 00146150 | Heat shield | Pro 27 AUX Flame Spreader | |
| 0811 | 12028706 | Cover | COVER, CONVECT, 12" PORCELAIN | |
| 0812 | 11032546 | Support | Rack guide | |
| 0813 | 10011396 | Bolt | Screw, #10-16 X 1/2, T20, Shoulder Bolt | |
| 0814 | 00479238 | Cover | PLATE, HEATING ELEMENT | |

| Item Number | Material Number | Material Shorttext | Infotext | Substitute Material Number |
|-------------|-----------------|--------------------|--|----------------------------|
| 0815 | 00492431 | Ignition device | | |
| 0816 | 00600909 | Bracket | HSI BRACKET BROIL, P364 | |
| 0817 | 10032749 | Burner | Burner | |
| 0820 | 00701957 | Burner | BURNER, BAKE, 18-INCH | |
| 0821 | 00415033 | Connection piece | 01: ELBOW 90 DEGREE- ORIFICE HOLDER | |
| 0822 | 10030344 | Hood | Aux bake injector 1.80mm | |
| 0901 | 00497756 | Motor | MOTOR ASSY, CONVECTION FAN, P364 | |
| 0902 | 00489178 | Bracket | BRACKET, CONVECTION MOTOR | |
| 0903 | 00479238 | Cover | PLATE, HEATING ELEMENT | |
| 0904 | 10007424 | Lamp | Oven lamp | |
| 0905 | 23000287 | Cover | Cover, burnerbox, pro27 | |
| 0906 | 10010225 | Nut | Hex Nut | |
| 0907 | 00605039 | Washer | WASHER, MEAT PROBE RECEPTACLE | |
| 0908 | 10008183 | Socket | Receptacle, Polarity, Mt Probe | |
| 0909 | 00627375 | Temperature sensor | SENSOR, PLATINUM WAKO RTD W/ WIRE SLEEVE | |

| Item Number | Material Number | Material Shorttext | Infotext | Substitute Material Number |
|-------------|-----------------|---------------------|--|----------------------------|
| 0910 | 11030966 | Plate | Pro 24/27 Main Flame Spreader | |
| 0911 | 20000143 | Cover | COVER, CONVECT, PORCELAIN | |
| 0912 | 11032546 | Support | Rack guide | |
| 0913 | 10011396 | Bolt | Screw, #10-16 X 1/2, T20, Shoulder Bolt | |
| 0915 | 00492431 | Ignition device | | |
| 0916 | 00600909 | Bracket | HSI BRACKET BROIL, P364 | |
| 0917 | 11032929 | Burner | Broil burner ASM, NG P27 | |
| 0918 | 00445814 | Guide | ANGLE, FLUE GUARD, 30" | |
| 0920 | 11032930 | Burner | Burner ASM J burner 2.28 | |
| 1001 | 10020211 | Fan motor | Fan motor LH | |
| 1002 | 00643600 | Fan | COOLING FAN | |
| 1003 | 10011167 | Limiter-temperature | Hi-temp cutout | |
| 1004 | 00628372 | Terminal | Terminal block - Nut for power cord - 00635383 | |
| 1005 | 00651285 | Latch | LATCH, DOOR | |
| 1006 | 00618400 | Switch-door | SWITCH / PLUNGER | |
| 1007 | 10001186 | Plate | Bracket, Plate - Foot | |
| 1008 | 12013593 | Bolt | FOOT, ADJUSTABLE, 60" | |
| 1009 | 10001351 | Foot | Foot kit, svc , Includes (1)Foot, (1)Foot plate, (2)Screws | |

| Item Number | Material Number | Material Shorttext | Infotext | Substitute Material Number |
|-------------|-----------------|--------------------|---|----------------------------|
| 1010 | 10014059 | Cover | Leg cover svc kit for Pro Grand (includes 2 complete leg , cover sets; 2 inner covers and 2 outer covers) | |
| 1012 | 10020252 | Cover | MOUNTING BRACKET LEG COVER | |
| 1014 | 00655554 | Receiver | RECEIVER, HINGE, REVERSE | |
| 1015 | 12028710 | Seal-door | GASKET, DOOR, 12", BLK, PRO 27 | |
| 1016 | 20000145 | Seal-door | GASKET, DOOR, 36", BLK, PRO 27 | |
| 1017 | 10012001 | Cover | 12" Service Cover | |
| 1018 | 12028598 | Cover | Service cover, 36" | |
| 1019 | 10020212 | Fan motor | Fan motor, RH | |
| 1099 | 12030965 | Repair-set | SVC Kit includes: , 5040001231 Bag, Poly, 3x5 zip-lock | |
| 1101 | 20000149 | Door-outer | PRO 27 12" DOORSKIN ASM PHANTOM | |
| 1102 | 20000150 | Door-inner | PRO 27 12" DOOR LINER ASM PHANTOM | |
| 1103 | 10011927 | Bolt | STandoff bolt | |
| 1105 | 10011397 | Handle-cap shaped | Endcap, handle thd professional | |

Mar 2, 2025

Bill-of-material

14

| Item Number | Material Number | Material Shorttext | Infotext | Substitute Material Number |
|-------------|-----------------|--------------------|--|----------------------------|
| 1106 | 12028711 | Handle-door | HANDLE, DOOR, 12" | |
| 1107 | 10011397 | Handle-cap shaped | Endcap, handle thd professional | |
| 1109 | 10010274 | Screw | Screw, M5-0.8 X 13, TH, 1018, Black | |
| 1110 | 10008228 | Screw | Screw, #8-18 x 3/8, TH, T20, 1018, Black | |
| 1111 | 11032542 | Hinge | Hinge kit for 12" door P27, svc | |
| 1112 | 10011608 | Screw | Screw, door, outter skin bottom | |
| 1201 | 20000151 | Door-outer | PRO 27 48" DOORSKIN ASM, PHANTOM | |
| 1202 | 20000152 | Door-inner | PRO 27 48" DOOR LINER ASM PHANTOM | |
| 1203 | 10011927 | Bolt | Standoff bolt | |
| 1205 | 10011397 | Handle-cap shaped | Endcap, handle thd professional | |
| 1206 | 11033033 | Handle-door | HANDLE, DOOR, 48" | |
| 1207 | 10011397 | Handle-cap shaped | Endcap, handle thd professional | |
| 1209 | 10010274 | Screw | Screw, M5-0.8 X 13, TH, 1018, Black | |
| 1210 | 10008228 | Screw | Screw, #8-18 x 3/8, TH, T20, 1018, Black | |

Mar 2, 2025

Bill-of-material

15

| Item Number | Material Number | Material Shorttext | Infotext | Substitute Material Number |
|-------------|-----------------|---------------------------|---|----------------------------|
| 1211 | 11032543 | Hinge | Hinge kit for 48" large door, P27, svc | |
| 1212 | 10011608 | Screw | Screw, door, outter skin bottom | |
| 1301 | 00145306 | Grid | GRATE, ASM | |
| 1302 | 00637940 | Rubber foot | | |
| 1303 | 00774615 | Shelf | | |
| 1304 | 00774617 | Shelf | | |
| 1305 | 11013689 | Grill tray | Grill, broil pan | |
| 1306 | 00484628 | Pan | Broiler pan | 00449757 |
| 1307 | 00666710 | Grid | | |
| 1308 | 00666709 | Universal pan | | |
| 1309 | 10010207 | Bracket | Anti Tip Bracket | |
| 1310 | 12022200 | Sensor | | |
| 8400 | 18041910 | Installation instructions | MANUAL, GRAND, DF/ GAS, INSTALLATION | |
| 8402 | 10023832 | Installation instructions | MANUAL, VENTILATION PLANNING GUIDE | |
| 8403 | 18042313 | Instruction manual | Manual, DF/Gas, En/Fr | |