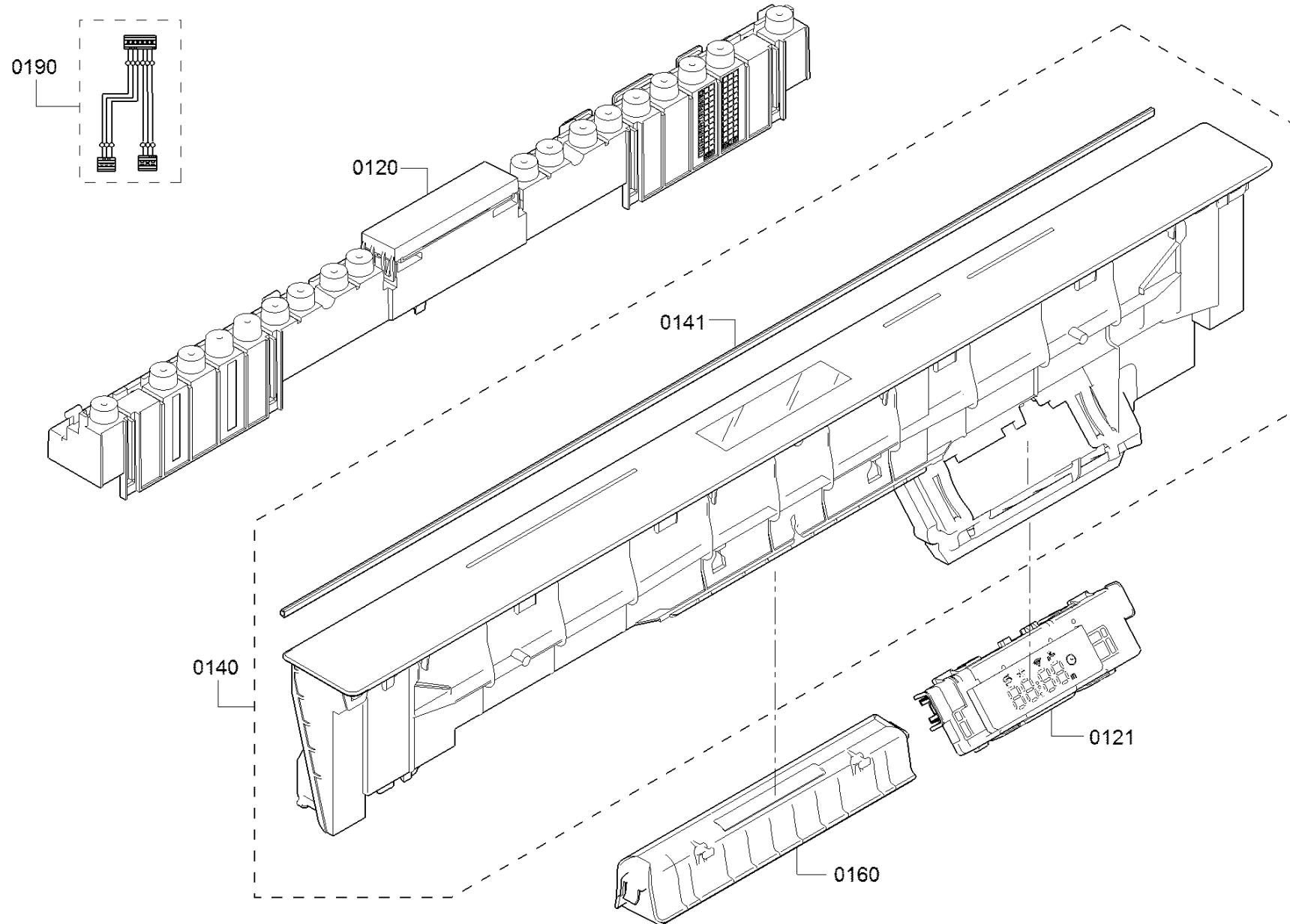


SHP9PCM5N/01

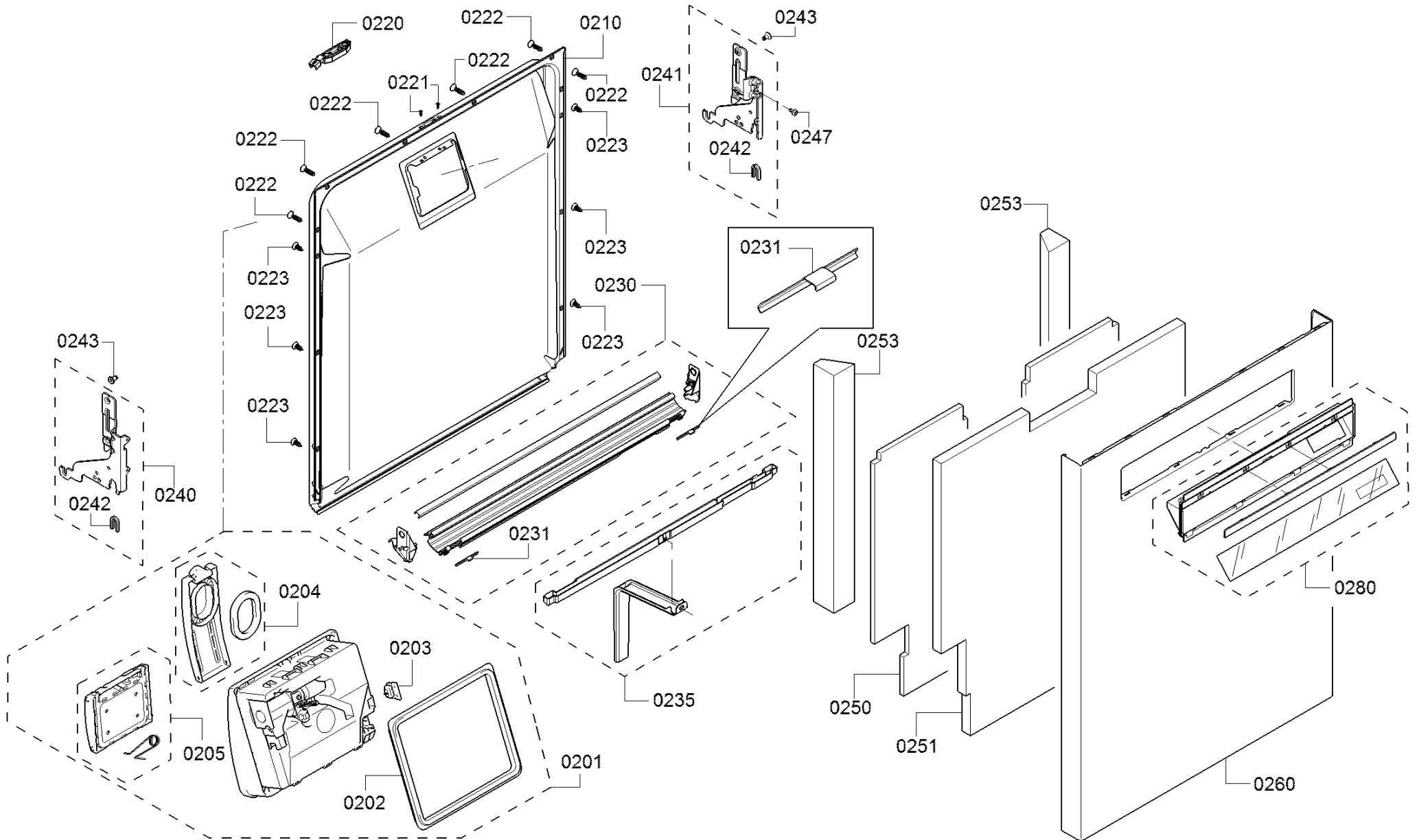
Dishwasher 60 cm built-
under intearable



0199

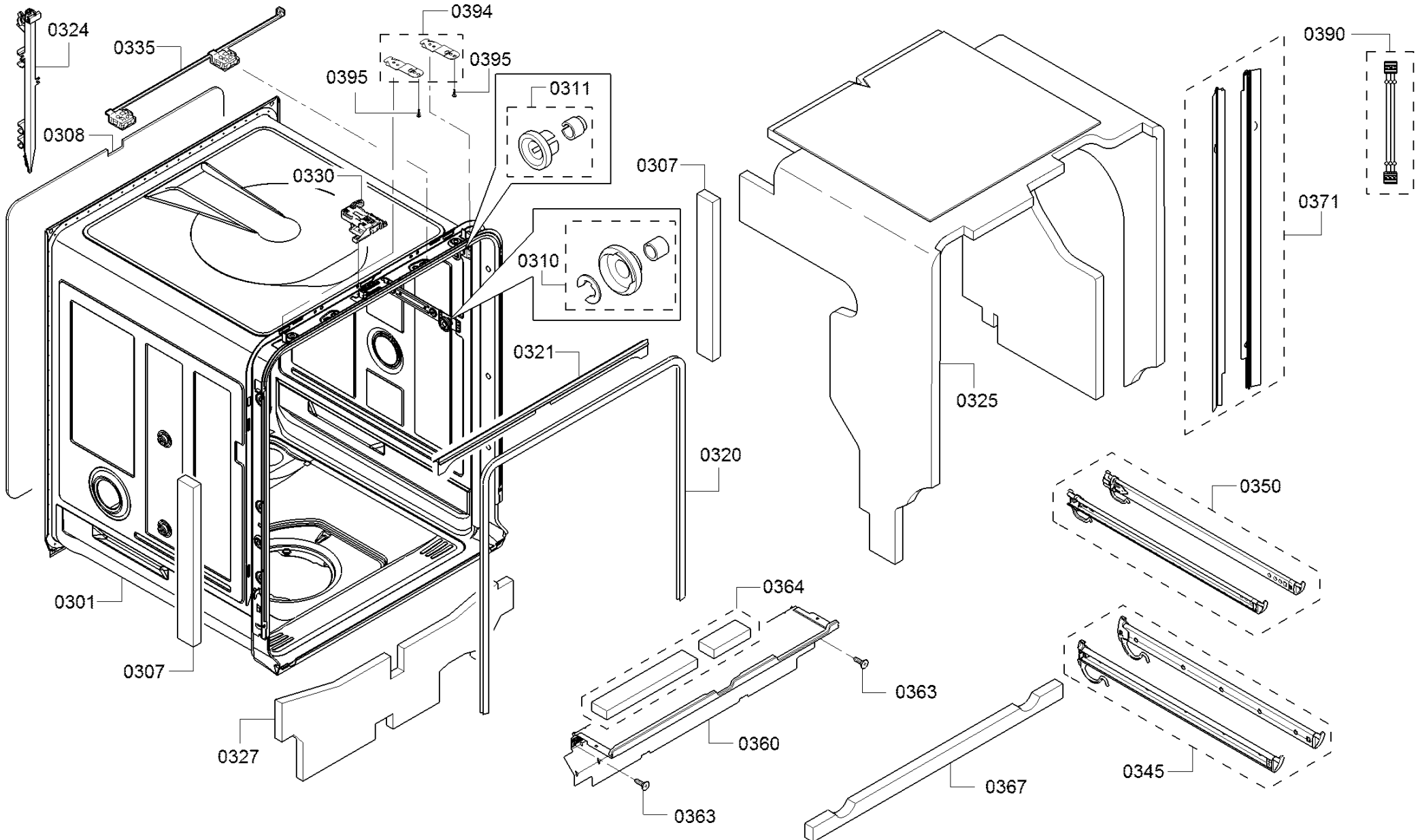


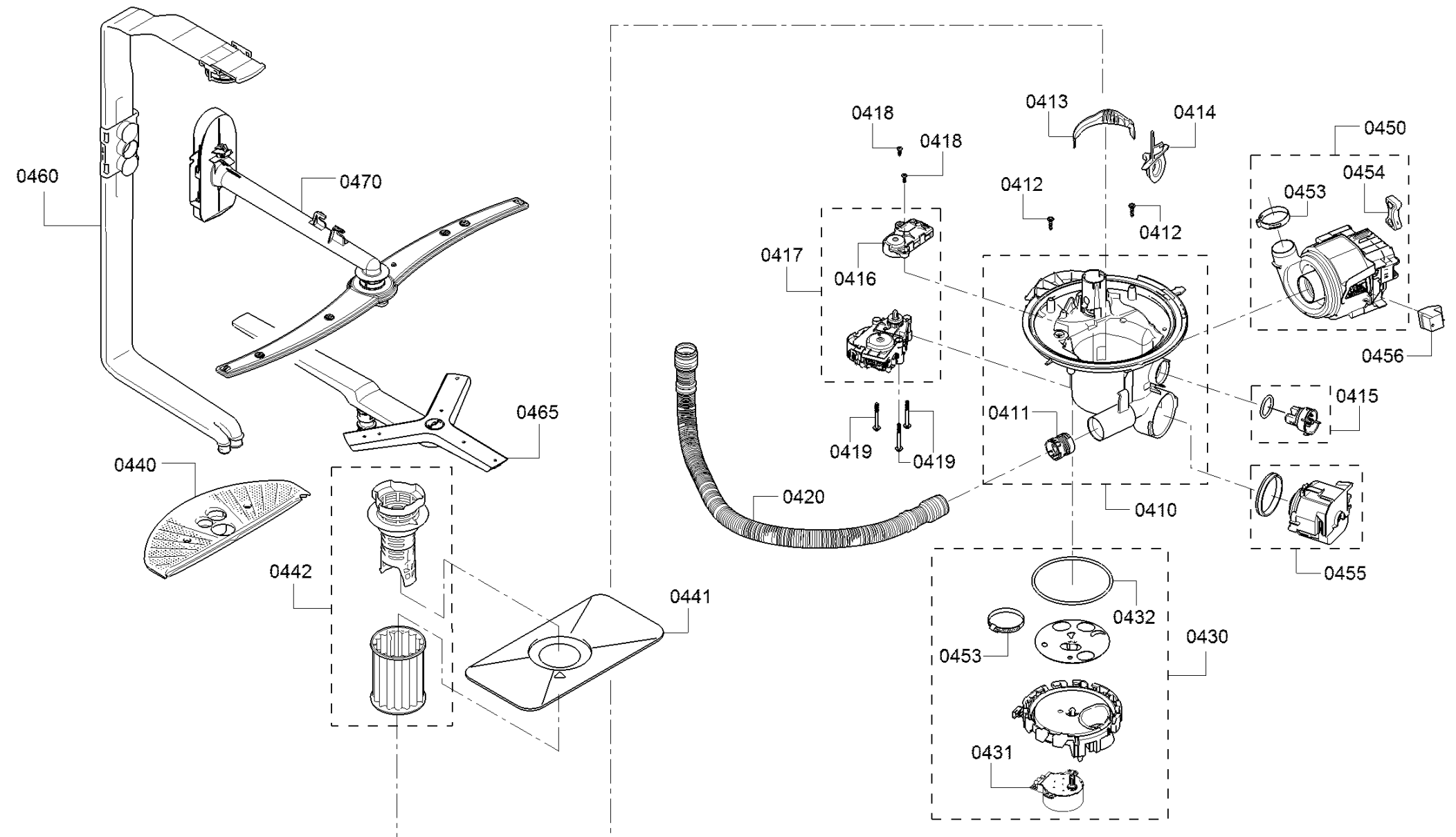
0197

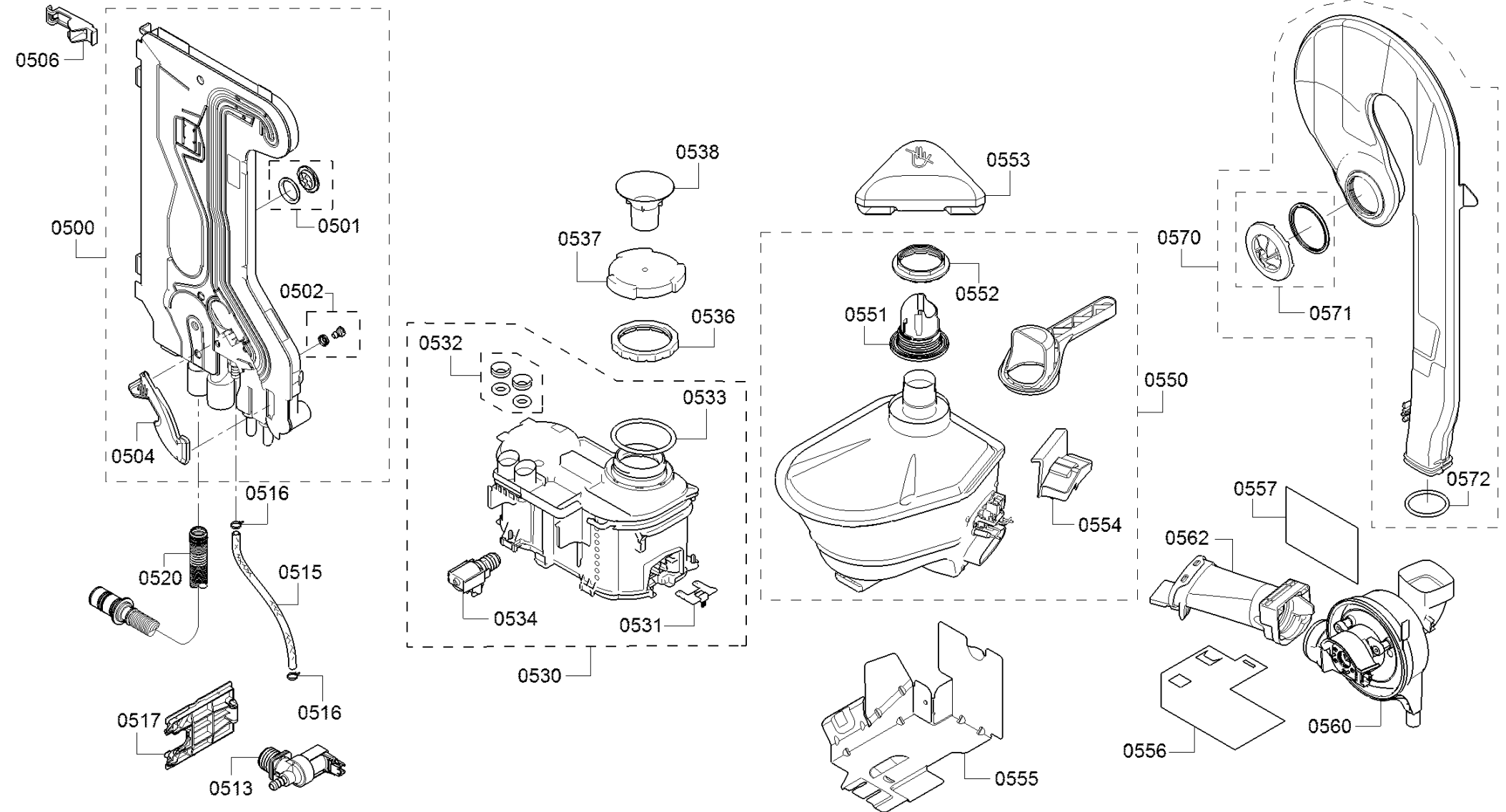


SHP9PCM5N/01

Dishwasher 60 cm built-
under intearable

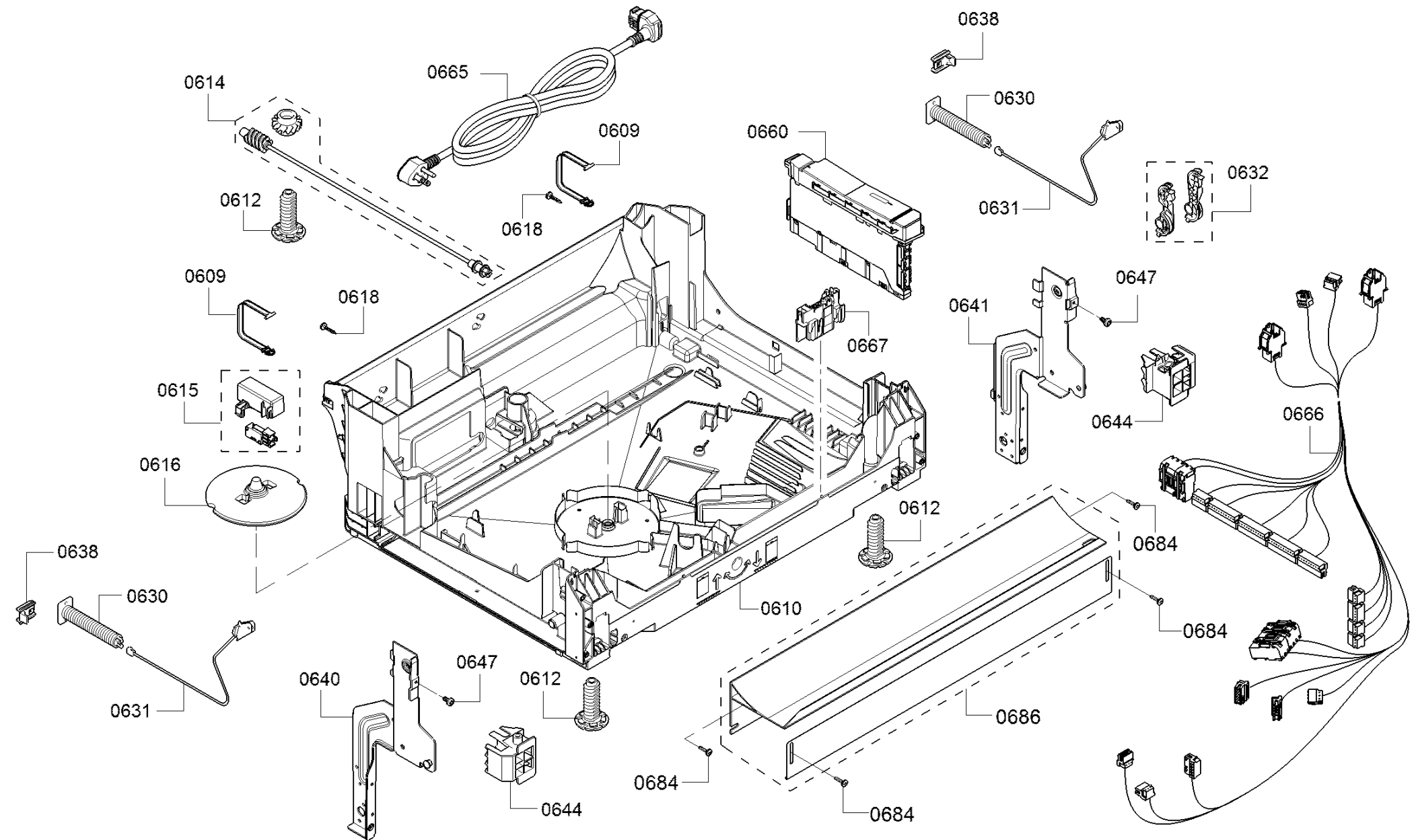


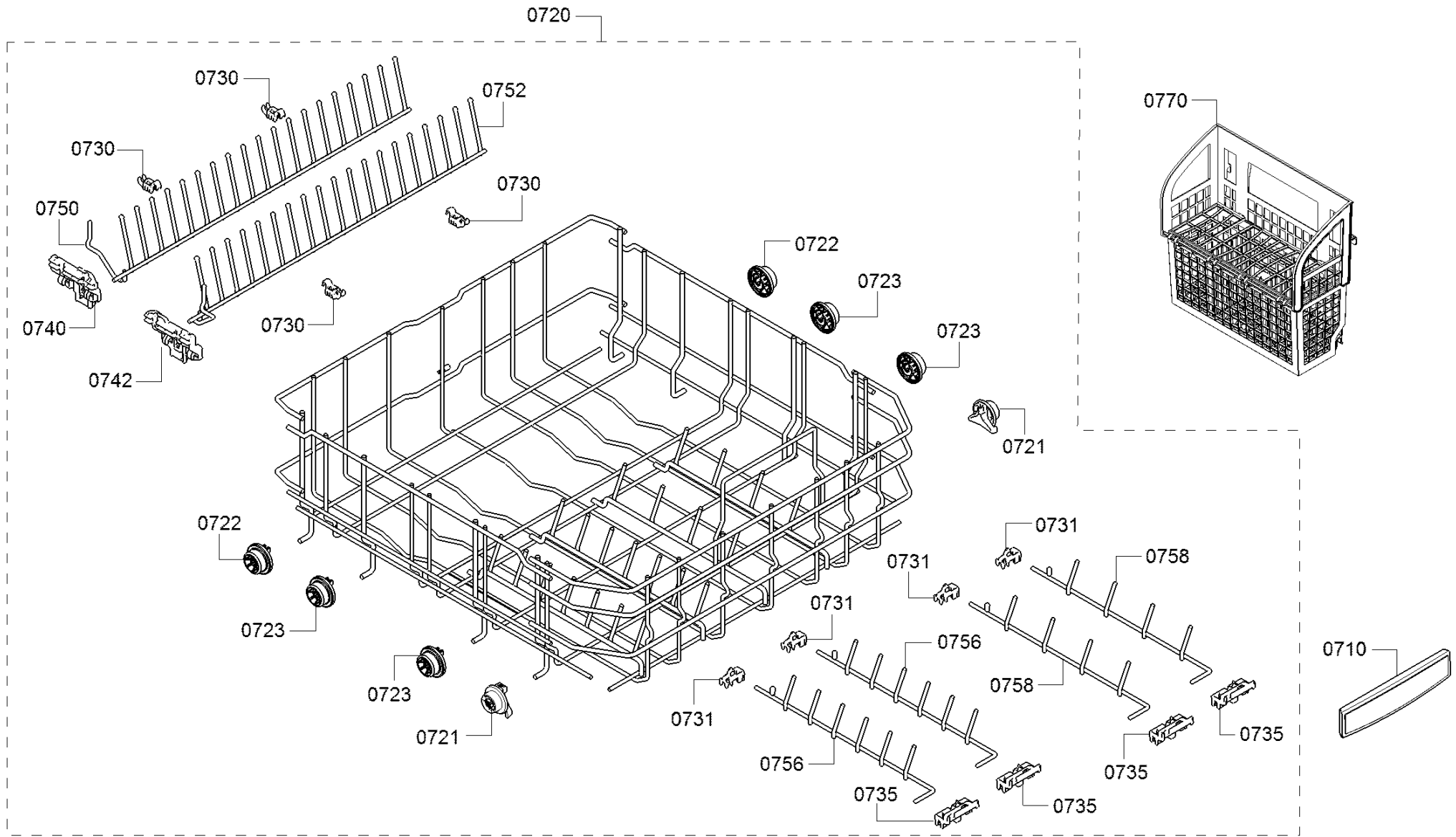




SHP9PCM5N/01

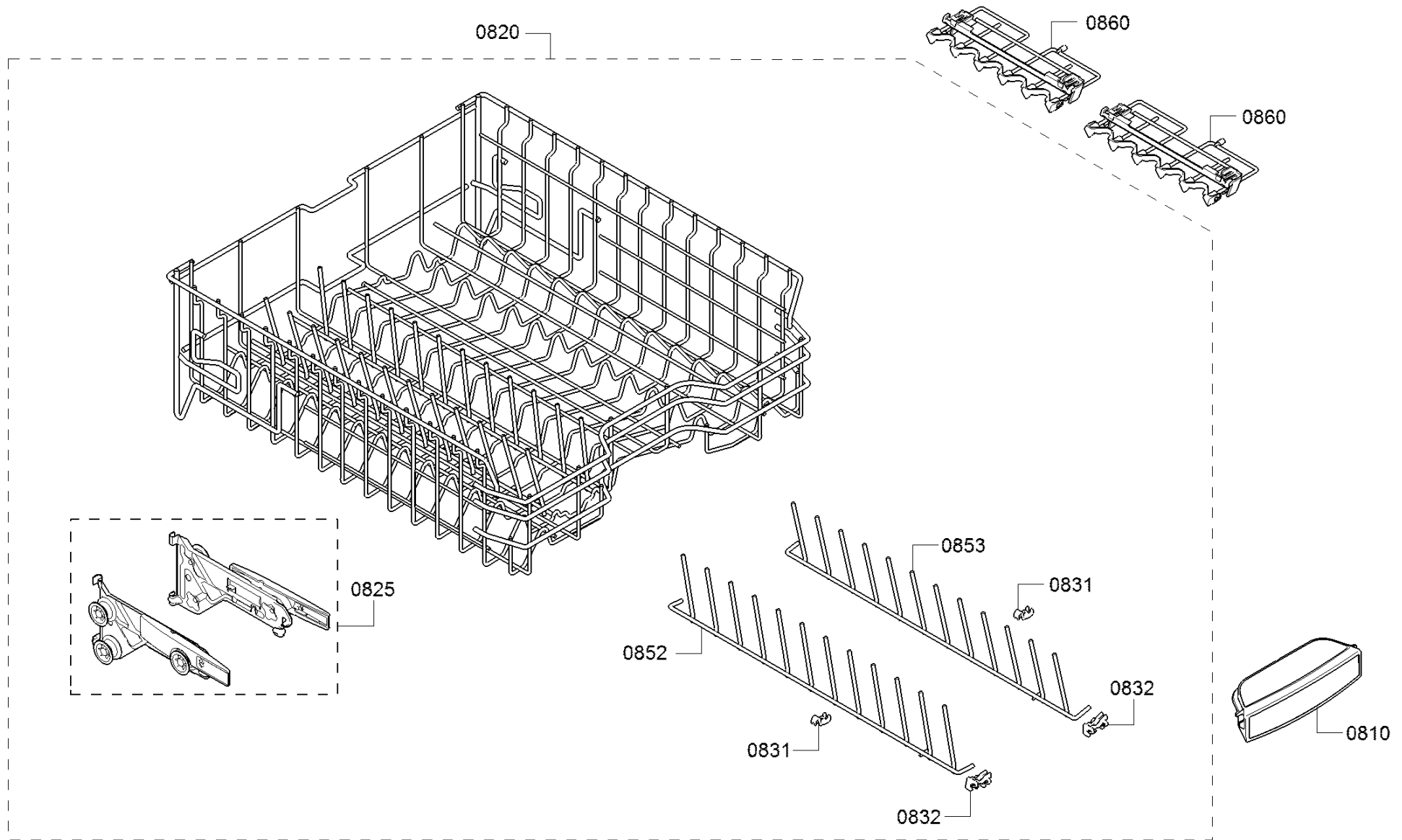
Dishwasher 60 cm built-
under intearable

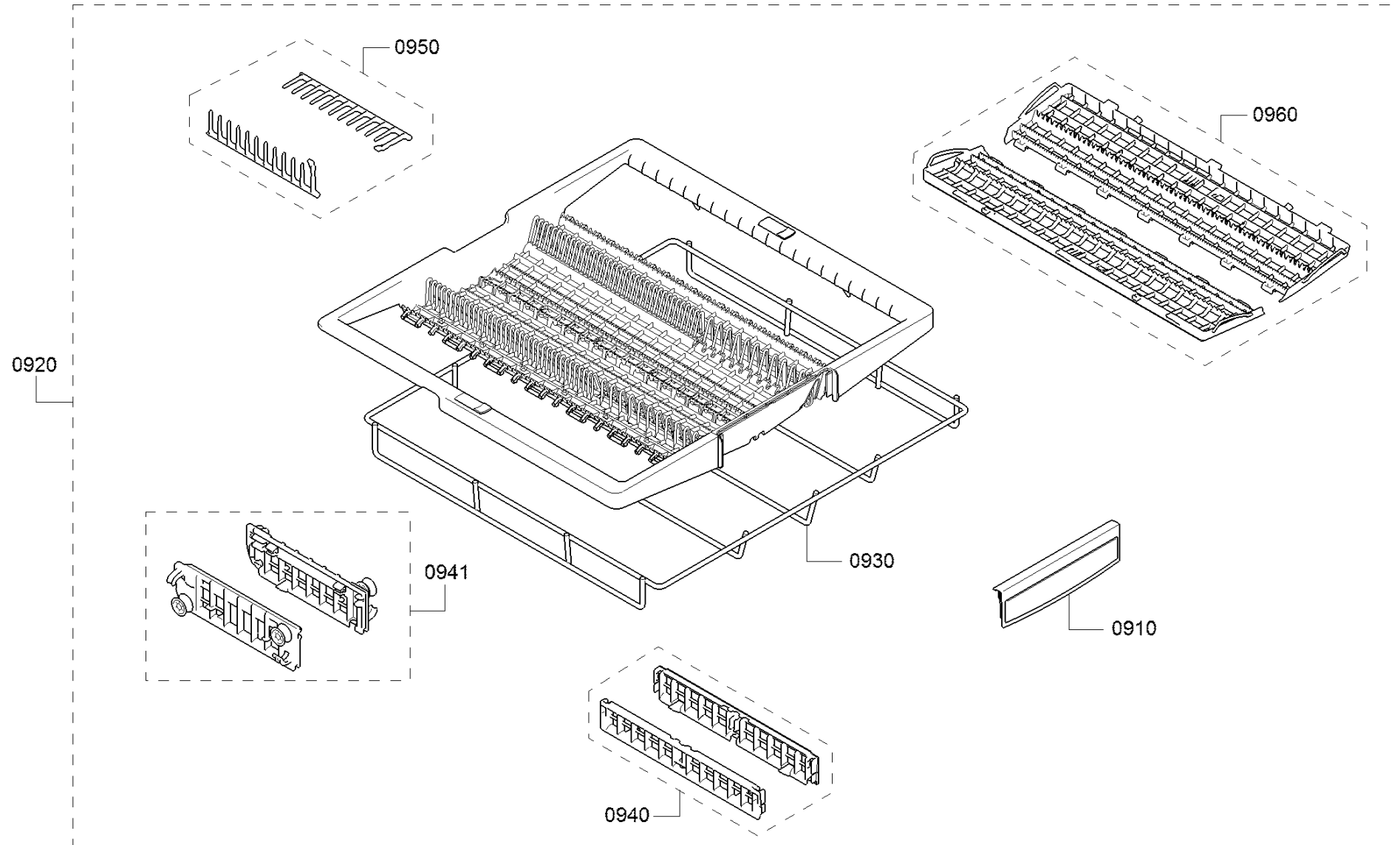




SHP9PCM5N/01

Dishwasher 60 cm built-
under intearable





Item Number	Material Number	Material Shorttext	Infotext	Substitute Material Number
0120	11051277	Operating module	Operating module	
0121	10024765	Display module	Visible Indicator	
0140	20004343	Panel-facia	Silver, w/ top seal	
0141	00745747	Sealing	Top seal, fascia panel	
0160	12042397	Handle	Handle Piece Integra MW	
0190	12037074	Cable	Cable for facia panel	
0190	12041555	Cable harness	Wire harness dbus iabo v7	
0197	10016054	Installation set	Parts bag	
0199	00341334	Plexiglass door	Inner door from perspex and magnet 341332 , for service-man,for 60x86cm-dishwasher GV64.	
0199	10009014	Lid	Optimised for liquid detergent , With seal and spring	
0199	10027073	Cover	Zeolite fill tube shield / cover	
0199	11018097	Tube	Fill tube, w/ sprinkler	
0199	12005744	Repair set-pump sump-seal	sump sealing set	
0199	12039064	Repair-set	broken basic carrier dome	
0199	15000364	Auxiliary tool	for metal nut of zeolite container	
0199	15000508	Tool set	Tool set for the repair of 60cm zeolite devices	
0201	12008380	Dispenser	Optical sensor, center door mount, TP3	

Item Number	Material Number	Material Shorttext	Infotext	Substitute Material Number
0202	00645144	Sealing	for the dispenser in the inner-door	
0203	00611574	Sensor	optical rinse default display	
0204	00611575	Lid	Rinse aid lid with gasket	
0205	00611576	Lid	Lid , Lid for cleaner with gasket and spring	
0210	00770166	Door-inner	ss, with bitumen	
0220	00630783	Lock	Kit, 47N door latch / sensor - must replace both parts	10028963
0221	00611659	Screw	One Screw, M3x10mm, Torx 10, door lock tray	
0222	00611311	Screw	Screw, Torx 20, M4x16, facia panel (1 piece)	
0223	00151703	Screw	Screw , 60/45, 4.0 x 11	
0230	00744884	Seal-door	Lower door seal assembly, with trough clips	
0231	00628338	Lock-clamp	Overflow trough	
0235	00744814	Overflow	Kit, front overflow support / drain with trough	
0240	00752103	Lever	Hinge lever, left, with 15mm bushing	
0241	00752102	Lever	Hinge lever, right, with 15mm bushing	
0242	00165296	Bearing	Hinge Bushing , 15mm (no hinge lock required)	

Item Number	Material Number	Material Shorttext	Infotext	Substitute Material Number
0243	00188850	Screw	Countersunk, M5 x 8 w/lead in	00633945
0250	00747394	Insulating part	Outer door insulation, full door, fleece	
0251	11050928	Insulating part	Fleece 640A_UC OD Build Under/V2	
0253	00748026	Insulating part	Foam sound insulation, outer door, left or right	
0260	20003993	Door-outer	Outer Door with Bitumen / Full	
0280	12041481	Handle	Pocket Handle, Painted Silver, with cut out for inlay	
0301	00984444	Stainless steel container	not to order, only for coding	
0307	00752310	Insulating part	Tank side frame	
0308	00746529	Insulating part	Rear tank, adhesive backed	
0310	10013299	Repair set-role	for wheel from upper rack guide rail , 1x wheel (d=24mm), 1x bushing, 1x retaining ring	
0311	10013300	Repair set-role	for wheel from top rack guide rail , 1x wheel (d=18,5mm), 1x bushing	
0320	00494772	Sealing		
0321	00745001	Strip	Trim strip, top, black	
0324	00751408	Holder	For drain and inlet hoses	

Item Number	Material Number	Material Shorttext	Infotext	Substitute Material Number
0325	11051411	Insulating part	Tank fleece insulation	
0327	12040672	Insulating part	Base sound insulation, front, cotton	
0330	00630783	Lock	Kit, 47N door latch / sensor - must replace both parts	10028963
0335	00755107	Interior lighting	white	
0345	11051212	Rail	Rack slides, right/left, with front/rear endcaps UR	
0350	11051213	Rail	Rack slides, left/right, with front/rear end caps TR	
0360	00744912	Cover sheet	Base cover, with bitumen	
0363	00423896	Screw	Screw , M4 x 9, T-20 Torx	
0364	00752529	Insulating part	Set, base cover, left / right, self-adhesive	
0367	12017579	Insulating part	Toe panel sound insulation, cotton, w/ instructions	
0371	00744998	Strip	Trim strip set, left / right, black	
0390	12040286	Cable harness	Cable Harness PM to CLS	
0394	00619985	Mounting set		
0395	00189670	Screw	Mounting bracket screw , M4 x 13	
0410	12041463	Sump	With drain check valve	
0411	00611320	Valve-non return	Drain check (backflow) valve	

Item Number	Material Number	Material Shorttext	Infotext	Substitute Material Number
0412	00167241	Screw	self-tapping screw 4x16mm, Torx 20, , round head	
0413	00611321	Cover	Cover , Suction cap, 6mm split	
0414	00611322	Lid	Lid , Drain pump cover, gray , With white handle	
0415	00611323	Sensor	Aquasensor	
0416	10021141	Transmission	Gearbox for CLS sump	
0417	11052133	Drive	CLS Drive Unit and Gearbox	
0418	10023058	Screw	SCREW FOR GEARBOX FOR PLASTIC 3,5X10 T15 INOX NO-MAG	
0419	10024700	Screw	Screw for driving unit, 3,5x27 T15 (CLS)	
0420	00668104	Hose	Hose from heat-exchanger to sump with o-rings	
0430	00751950	Altern.water distributor	Water switch, 120V, 60 Hz, with seal	
0431	00615820	Water switch motor	for Water-switch, 110V, 60 Hz	
0432	00628306	Sealing	O-ring, water switch	
0440	12038407	Cover	for Sump	
0441	00751458	Filter-fine	Filter screen	
0442	00645038	Filter-micro		

Item Number	Material Number	Material Shorttext	Infotext	Substitute Material Number
0450	12008381	Heat pump	BLDC, TP3, w/ hose clamp, motor suspension strap	
0453	00172272	Hose clamp	diameter 35mm	
0454	00611330	Suspension	Suspension strap, circulation pump	
0455	00631200	Pump-drain	Pump-drain	
0456	10014029	Protective cover	Connection Cover	
0460	11018097	Tube	Fill tube, w/ sprinkler	
0465	11049522	Spray arm bottom	Satellite for CLS, red, USA-long	
0470	00745856	Spray arm top	with inlet pipe	
0500	11032086	Water inlet	Water Inlet with cover	
0501	00623541	Cover	For expansion-slot	
0502	00622267	Thread bolt	for free inlet with gasket	
0504	10007786	Cover	Flowmeter Cover	
0506	10007775	Holder	Clip, water inlet system	
0513	00628334	Valve access	Water inlet valve, warm	10023852
0515	00751456	Hose	Water inlet, 13" long	
0516	00617642	Hose clamp	HOSE CLAMP d 13,4	
0517	10005178	Support	Straight, single water inlet valve	
0520	00744881	Drain hose	7.79' long	
0530	12025087	Water softener	Water softener	
0531	10007258	Sensor	Salt-default-sensor	

Item Number	Material Number	Material Shorttext	Infotext	Substitute Material Number
0532	00611913	Sealing	Sealing , 2 O-rings 10,47x5,33mm and 2 plastic rings	
0533	00611915	Sealing	Sealing , O-ring 66x5mm for water softener	
0534	00616218	Valve-regeneration	GV640A, 120V, 60Hz	00630255
0536	00611318	Nut	For salt-tub	
0537	00611319	Lid	Includes gasket	
0538	00645000	Funnel accessory	to refill the salt	
0550	11047045	Container	Zeolite container with stud, nut, tool, protective cover	
0551	10014986	Stud	connection part with seal, zeolite 3	
0552	10014987	Nut	threaded ring, zeolite 3- redesign	
0553	10014988	Cap	zeolite 3-redesign	
0554	10007674	Protective cover	Zeolite 3	
0555	12009747	Sheet	between ceolite container and basic carrier	
0556	12023726	Insulating-/protection sleeve	Base Cover Foil	
0557	12023720	Insulating-/protection sleeve	Wire protection foil	
0560	12038762	Fan	zeolite 3	
0562	12023782	Ventilation duct	air duct, zeolite 3	
0570	11010222	Ventilation duct	for zeolite	

Item Number	Material Number	Material Shorttext	Infotext	Substitute Material Number
0571	00626400	Cover	For expansion-slot of suction channel	
0572	00633979	Sealing	O-ring 42x4	
0609	00751409	Holder	Hose strap (base), for drain and inlet hoses	
0610	00777781	Case-bottom	Base	
0612	00617586	Foot	Gray (with rubber bottom coating)	
0614	11006502	Worm gear	Rear foot adjustment, gear w/ rod	
0615	00751391	Housing	Float assy, w/ microswitch	
0616	00622036	Float	Security-niveau	
0618	00628739	Screw	M4 x 21.5, base - rear panel, T20 Torx	
0630	00611337	Spring	blue , Weights of furniture door: 2,5 Kg to 8,5 Kg	
0631	00636603	Rope	Rope , For the hinge system	
0632	00623536	Guide	for rope, set right and left part	
0638	00632896	Holder	Clip, door spring	
0640	11002762	Hinge-plate	Hinge plate, left	
0641	11002763	Hinge-plate	Hinge plate, right	
0644	12041465	Support	Door guard	
0647	00423896	Screw	Screw , M4 x 9, T-20 Torx	
0660	10025378	Power module programmed	Power module programmed	

Item Number	Material Number	Material Shorttext	Infotext	Substitute Material Number
0665	12027214	Power cord	Power cord	
0666	12041558	Cable harness	WIRE HARNESS IH;ZEO;FM;SOFT;CM;SM	
0667	10025645	SMM programmed	SHP9PCM5N	
0667	10026022	SMM not programmed	Programming required with "iService" Customer Service software	
0684	00188670	Screw	Screw, M4x17, Phillips head , For M4x17 T20 Torx, use 617588	
0686	11019629	Panel-base	Toe panel set, black, plastic / metal	
0710	10008642	Handle	Lower rack handles	
0720	20004340	Crockery basket	Lower Rack, 4 front flip tines, two rear flip tines	
0721	10014064	Wheel	Stopper Wheel for lower rack	
0722	10014040	Wheel	Wheel for lower rack with holder	
0723	10014063	Wheel	Wheel for lower rack	
0730	00635884	Clip	for flip tines lower rack	
0731	10024656	Holder	Clamp, rear , single flip tine	
0735	10024655	Holder	Clip, front, single flip tine,	
0740	00611980	Holder	Latch, lower flip tine (left) , Light gray	

Item Number	Material Number	Material Shorttext	Infotext	Substitute Material Number
0742	00617903	Holder	Latch, lower flip tine (right) , Light gray	
0750	12026937	Insert	Flip tine, lower rack, long rear, back, no BE	
0752	12026936	Insert	Flip tine, lower rack, long rear, front, no BE	
0756	12041449	Insert	Flip Tine, Lower Rack, Front/Left, 6, Dark Gray	
0758	10024657	Insert	Flip Tine, Lower Rack, Front/Right, 4, Dark Gray	
0770	12048893	Cutlery basket	Cutlery basket	11061120
0810	10003449	Handle	Kit, Upper / Lower rack handles	
0820	00779034	Crockery basket	Upper rack, si/ dg ,Rackmatic, 2 fliptine, NO BE	00779033
0825	12005415	Rail-pull out	Rackmatic assy, left / right set	
0831	00616989	Holder	Clamp, upper rack flip tine, right middle , Middle gray	
0832	00616990	Holder	Clamp, upper rack flip tine, right front , Middle gray	
0852	00752274	Insert	Flip tine, dark gray, upper rack, left	

Item Number	Material Number	Material Shorttext	Infotext	Substitute Material Number
0853	00752276	Insert	Flip tine, dark gray, upper rack, right	
0860	12033370	Cup rack	for upper rack, lowerable, short	
0910	00628467	Handle	Handle, cutlery drawer	
0920	20004783	Cutlery drawer	Cutlery drawer	
0930	00688117	Frame	For the cutlery drawer	
0940	00658189	Cover	kit for top rack frame	
0941	00625710	Holder	left and right with wheels for the cutlery drawer	
0950	00657107	Insert	Flip tines left and right for top rack, , Vario 2 light grey	
0960	00708551	Insert	Flip trays left and right for top rack, , Vario 2 dark grey	