



MADE IN JAPAN
FUKUOKA



DUMPER

2017 PRODUCT CATALOGUE

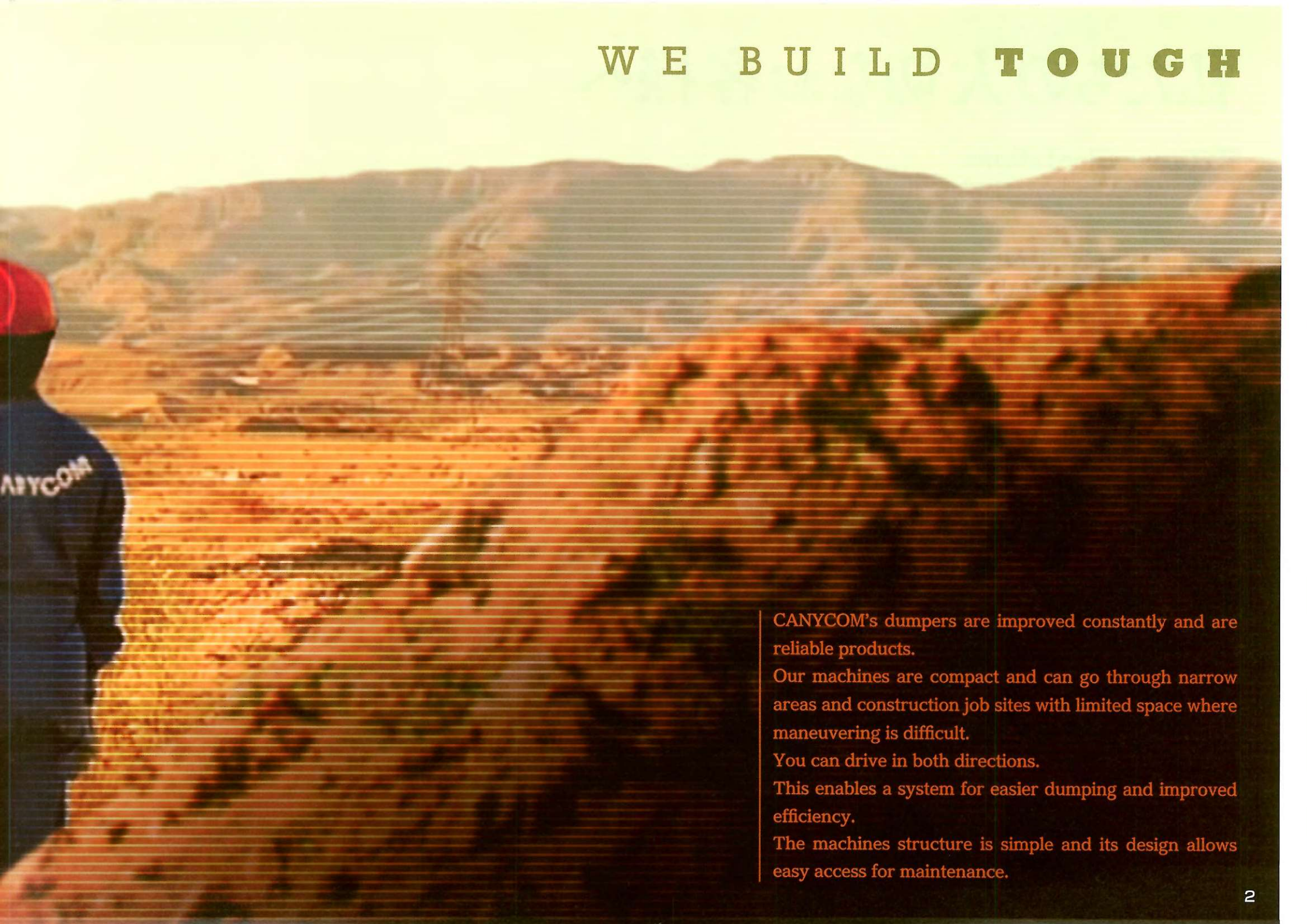
by CANYCOM - SUPERIOR JAPANESE ENGINEERING



CANYCOM



W E B U I L D T O U G H



CANYCOM's dumpers are improved constantly and are reliable products.

Our machines are compact and can go through narrow areas and construction job sites with limited space where maneuvering is difficult.

You can drive in both directions.

This enables a system for easier dumping and improved efficiency.

The machines structure is simple and its design allows easy access for maintenance.

私たちの大切なお客様へ

To our valued clients

We take pride in supporting our clients with our reliable technology.
We give them the chance to select the products that will suit their needs.
Together, we go further.

A nos chers clients

Nous sommes fiers de soutenir nos clients grâce à notre technologie fiable.
Nous leur donnons la chance de choisir le produit qui leur convient.
Tous ensemble en avant.

Untuk Pengguna Di Dunia

Kualitas tinggi dan kinerja tinggi produk Jepang mendukung pekerjaan anda disitus.
Pilih CANYCOM dumper dari seri kami.
Kompak, mobilitas tinggi di dunia.

Ai i nostri stimati clienti

Siamo orgogliosi di supportare i nostri clienti grazie all'affidabilità
dei prodotti CANYCOM.
Assieme faremo molti passi in avanti

An unsere werten Kunden

Wir sind stolz auf die Unterstützung unserer Kunden an unserer zuverlässigen Technologie.
Wir geben Ihnen die Chance, den Erzeugnisse, auf ihre Bedürfnisse angepasst auszuwählen.
Gemeinsam, kommen wir weiter.

Till våra värdefulla kunder

Vi är stolta att kunna hjälpa våra kunder med vår tillförlitliga teknik.
Vi ger dem chansen att välja den produkter som passar till deras behov.
Tillsammans går vi vidare.



Hydraulic dump model

[PUNDA]
S25A

Max. Output **46PS** | Max. Payload **2500kg**

TYPE: [Swivel Dump] | [1-way Dump]
Scoop Bucket | Flat Bucket | 3-way Opening Door Bucket



[PUNDA]
S160

Max. Output **20.5PS** | Max. Payload **1600kg**

TYPE: [Swivel Dump]
Scoop Bucket



[PUNDA]
S100

Max. Output **15PS** | Max. Payload **1000kg**

TYPE: [Swivel Dump] | [1-way Dump]
Scoop Bucket | 3-way Opening Door Bucket



[CONCRETE SUNAO]
SC75

Max. Output **22PS** | Max. Payload **750kg**

TYPE: [Swivel Dump] | [1-way Dump]
Plastic Bucket / Steel Bucket | Plastic Bucket / Steel Bucket



[WHITE CANY]
SC45

Rated Output **6.3PS** | Max. Payload **450kg**

TYPE: [1-way Dump]
Plastic Bucket



Manual / Hydraulic dump model

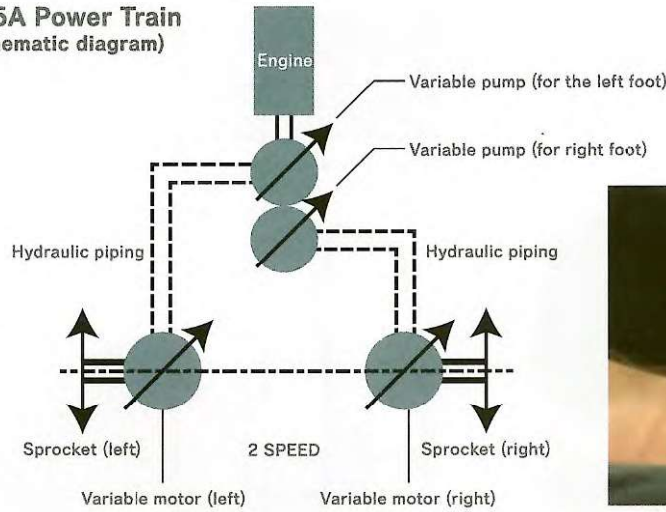
[PINKLADY]
BFP602

Max. Output **6.3PS** | Max. Payload **450kg**

TYPE: [1-way Dump]
Scoop Bucket (Manual / Hydraulic)
3-way Opening Door Bucket (Manual)
Slide Frame (Manual)



S25A Power Train
(schematic diagram)



2 pumps 2 motors type HST

The S25A is equipped with an HST driven system with 2 pumps and 2 motors. A low maintenance HST, less work is needed for adjusting the power train, oiling, and greasing. This system allows smooth maneuverability.

S25A	S160	S100
SC75	SC45	BFP602

THE ART OF MANUFACTURING

Our commitment is to provide to our customers satisfaction and comfort with a reliable technology

Product features



180° bucket rotation
Better work efficiency with a precise dumping system.

S25A	S160	S100
SC75	SC45	BFP602



Swedish steel
Bucket made from hard Swedish steel. *Only for swivel dump

S25A	S160	S100
SC75	SC45	BFP602



180° rotating operator seat
You can operate in a posture facing the direction of travel by using the rotating seat.

S25A	S160	S100
SC75	SC45	BFP602



Seesaw roller system
For easy and stable travel on uneven surfaces.

S25A	S160	S100
SC75	SC45	BFP602



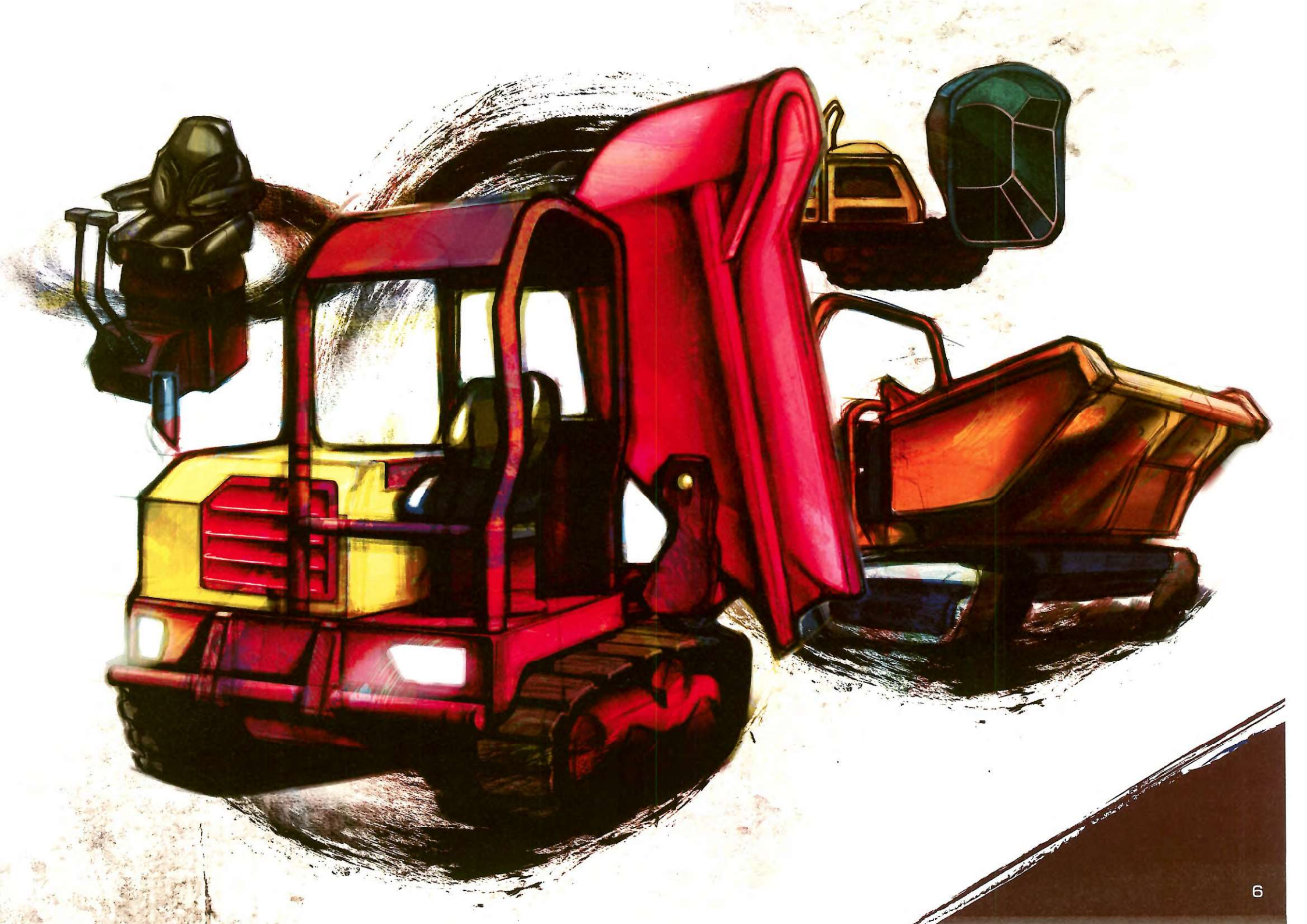
CANYCOM's unique transmission
Low speed running. Can select super low running gear 0.25Km/h

S25A	S160	S100
SC75	SC45	BFP602



Walk-behind Rubber Track Carrier
The unit allows operators to pass through garden gates, climb steep slopes, and work in the tightest and roughest of worksites.

S25A	S160	S100
SC75	SC45	BFP602



[PUNDA]

S25A

Swivel Dump

1-way Dump

Max.Output
46PS

Max.Payload
2500kg



Powerful in varied conditions

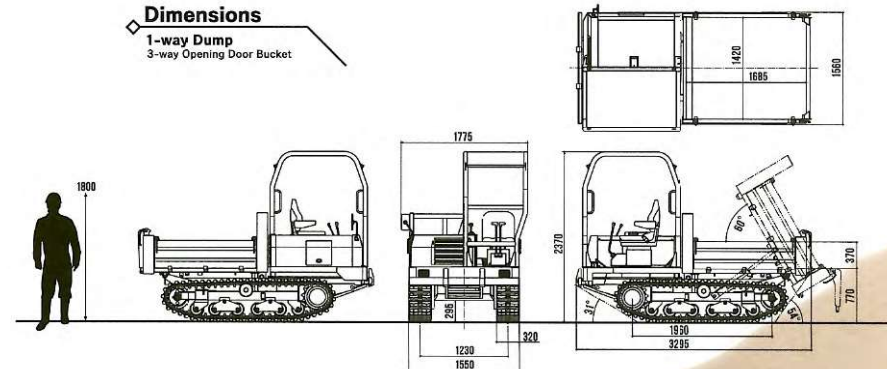
A reliable machine built to meet your expectations

Equipped with a 46PS water-cooled four-cylinder diesel engine. Good climbing speed and easy counter rotating ability. The rotating seat and swiveling bucket allow easy operation and dumping in narrow job sites.



Dimensions

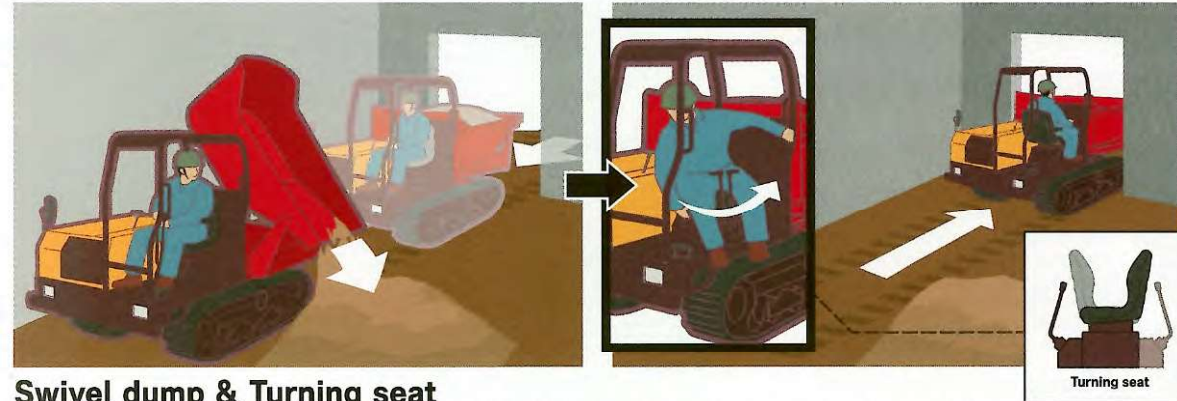
1-way Dump
3-way Opening Door Bucket



Specifications

Model and Type	S25A				
	1-way Dump	Swivel Dump			
	3-way Opening Door Bucket	Flat Bucket	Scoop Bucket		
Machine Mass	2230kg	2480kg	2430kg		
Maximum Payload	24.5kN(2500kgf)				
Dimensions	Overall Length	3295mm	3385mm	3665mm	
	Overall Width	1775mm			
	Overall Height	2370mm			
	Track Contact Length	1960mm			
	Track Tread	1230mm			
	Ground Clearance	295mm			
	Loading Bucket Height	770mm	910mm		
Loading Bucket	Inside Dimensions	Length	1685mm	1750mm	2155mm
		Width	1420mm	1330mm	1300mm
		Height	370mm	420mm	495mm
	Payload	Struck	0.89m ³	0.90m ³	1.03m ³
Heaped		1.26m ³	1.25m ³	1.40m ³	
Engine	Model	Kubota V2203			
	Type	4-cycle, Water-cooled Diesel, in-line 4 cylinder			
	Cylinder (Bore×Stroke)	87×92.4mm			
	Displacement	2197cm ³			
	Rated Output	34.1kw(46.4PS)			
	Maximum Torque	139.6N·m (14.2kgf·m)			
	Starter System	Electric			
	Fuel	Diesel Fuel			
	Fuel Consumption	251g/kW·h(185g/PS·h)			
	Fuel Tank Capacity	45L			
	Oil Capacity	9.7L			
	Coolant Capacity	7.2L			
Battery Type	100E41R				
Battery Capacity	12V/80AH				
Performance and Operating Range	Travel Speed	High Speed	0 - 11km/h		
		Low Speed	0 - 6km/h		
	Minimum Turning Radius	2.0m			
	Gradability	30° (Unloaded)			
HST Oil Capacity	36L				
Drive Train	Main Transmission	HST (2-Speed Motor)			
	Steering System	2-Pump/2-Motor System			
	Brakes	Hydraulic			
Dumping System	Dump System	Hydraulic Dump			
	Load Bucket Type	1-way Dump	Swivel Dump		
		Hydraulic Pump	Type	Gear Pump	
	Performance	Max. Speed	2,800rpm		
		Max. Discharge	31L/min		
		Relief Pressure	15.7MPa (160kgf/cm ²)	11.8MPa (120kgf/cm ²)	
	Cylinder(Bore×Stroke)	Max. Angle	60°	58°	85°
Lifting Time		approx. 4.0Sec		approx. 7.4Sec	
Lowering Time	approx. 3.0Sec		approx. 5.3Sec		
Hydraulic Fluid Capacity	Shared with HST System				
Swivel System	Swivel System	Hydraulic (Twin cylinder)			
	Swiveling Angle	90° (Right/Left)			
	Swiveling Time	approx. 6.0Sec			
	Cylinder(Bore×Stroke)	60×250mm			

*These specifications are subject to change without notice.



Swivel dump & Turning seat

While driving the machine, you can dump at an angle of 90° and at the same time rotate the bucket from left to right (vice versa) for a better work efficiency, you can operate in a posture facing your traveling direction without pivoting the machine by using the seat rotation system.



Tough undercarriage

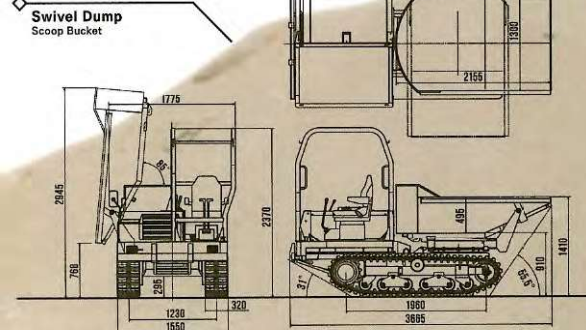
We use large-diameter track rollers to increase track life.



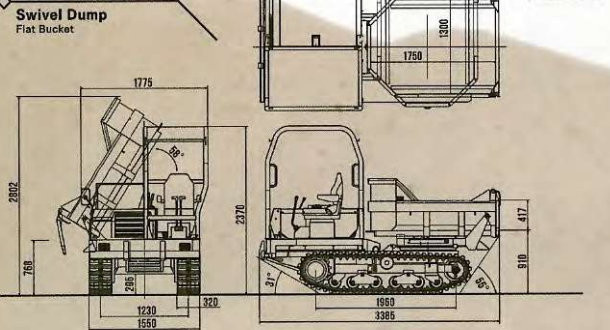
Easy maintenance

By using 2 pumps and 2 motors, less lubrication of the power train and adjustments are needed. Easy access engine hood opens fully for quicker maintenance and inspections.

Dimensions



Dimensions



[PUNDA]

S160 Swivel Dump

Max. Output
20.5PS

Max. Payload
1600kg

Compact and outstanding for indoor applications
The S160 enables speed and efficiency on the job

This is a compact machine for indoor or outdoor applications and carrying large loads gravel, stones, etc.



Twin HST

With the twin HST drive system, you can make a pivot turn on one side of the machine, while the other side of the crawler is locked. Left and right movements are possible while moving forward or backward. You can even make a smooth counter rotation.



Easy maintenance

Easy access engine hood opens fully for quicker maintenance and inspections.



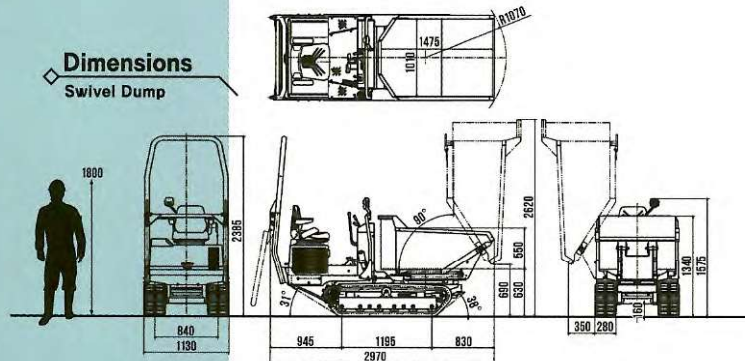
Smooth travel

The HST enables easy and smooth travel. The length of the track on the ground and the swing track roller allows smooth travel.

Other

- Due to the rotating seat, you can get off and get on the machine from both sides (left & right).
- Safety function switch to prevent against brake drags.

Dimensions
Swivel Dump



Specifications

		S160	
Model and Type		Swivel Dump	
		Scoop Bucket	
Machine Mass		1400[1310]kg	
Maximum Payload		15.7kN(1600kgf)	
Dimensions	Overall Length	2970[2850]mm	
	Overall Width	1130[1120]mm	
	Overall Height	2385[1575]mm	
	Track Contact Length	1195mm	
	Track Gauge	840mm	
	Ground Clearance	160mm	
	Loading Bucket Height	630mm	
Loading Bucket	Inside Dimensions	Length	1475mm
		Width	1010mm
		Height	550mm
	Payload	Struck	0.6 m ³
		Heaped	0.74 m ³
Engine	Model	Kubota D1105-E3B	
	Type	Water-cooled 4-cycle Diesel, in-line 3 cylinder	
	Cylinder (Bore×Stroke)	78×78.4mm	
	Displacement	1123cm ³	
	Rated Output	15.1kw(20.5PS)	
	Maximum Torque	70.3N·m(7.2kgf·m)	
	Starter System	Electric	
	Fuel	Diesel No.2-D(ASTM D975)	
	Fuel Consumption	255g/kW·h(190g/PS·h)	
	Fuel Tank Capacity	22L	
Oil Capacity	3.3L		
Coolant Capacity	3.5L(excluding reservoir)		
Electrical	Battery Type	95D31R	
	Battery Capacity	12V/65AH	
	Working Lamp	12V/18.4W	
	Speed	0-7.0km/h	
Performance and Operating Range	Minimum Turning Radius	1.7m	
	Gradability	25° (Unloaded)	
	Operating Temperature	-15~40°C	
	Altitude	0~1500m	
	HST Oil Capacity	32L	
	Drive Train	Main Transmission	Twin HST
Steering		Twin HST, 2Lever	
Brakes		Internally Expanding	
Track Size		280×51×72mm	
Transmission Oil Capacity		3.2L	
Dumping System	Dumping System		Hydraulic Dump
	Hydraulic Pump	Type	Gear Pump
		Max. Speed	2100rpm
		Max. Discharge	18.8L/min
	Relief Pressure	14.0MPa (145kgf/cm ²)	
	Cylinder(Bore×Stroke)	465×625mm	
	Performance	Max. Angle	90°
Lifting Time		approx. 7.4Sec	
Lowering Time		approx. 5.0Sec	
Hydraulic Fluid Capacity	Shared with HST System		
Swivel System	Swivel System	Hydraulic (Twin cylinder)	
	Swiveling Angle	90° (Right/Left)	
	Swiveling Time	approx. 6.6Sec / 180°	
	Cylinder(Bore×Stroke)	50×160mm	

*[] indicates models without ROPS.

**These specifications are subject to change without notice.