



Cat[®] CS44B

SMOOTH DRUM VIBRATORY SOIL COMPACTOR

FEATURES:

The Cat[®] CS44B features a smooth drum and is ideally suited for granular soil applications:

- **Comfortable and ergonomic operator station** features pivoting seat with integrated multifunction LCD display and control console, outstanding visibility to the front and rear of machine, low sound and vibration levels for greater operator comfort and productivity.
- **World-class propel system** built around the exclusive Cat dual pump propel system, two pumps provide separate dedicated flow to drum drive motor and rear axle motor for exceptional gradeability and traction in forward and reverse.
- **Virtually maintenance free** due to maintenance-free hitch bearings and extended maintenance intervals for vibratory system and hydraulic system, providing more uptime and lower maintenance costs.
- **Powerful Cat C3.4B Engine** meets US EPA Tier 4 Final and EU Stage IV emission standards.
- **Optional Cat Compaction Control** helps the operator determine when compaction has been completed to specification for greater productivity and uniform compaction quality.
- **Compact, highly maneuverable and transportable.**

Specifications

Engine - Power Train

| | | |
|--|------------------------------------|---------------------|
| Engine Model | Cat C3.4B | |
| Global Emissions | US EPA Tier 4 Final EU Stage IV | |
| Gross Power ISO 14396 | 75 kW | 100.6 hp |
| Displacement | 3.4 L | 207 in ³ |
| Stroke | 110 mm | 4.3 in |
| Bore | 99 mm | 3.9 in |
| Max. Travel Speed (Forward or Reverse) | 11.4 km/h | 7.0 mph |

Weights

| | | |
|--------------------------------------|----------|-----------|
| Operating Weight w/ ROPS/FOPS Canopy | 6943 kg | 15,307 lb |
| Weight at Drum | 3384 kg | 7,460 lb |
| Operating Weight w/ ROPS/FOPS Cab | 7210 kg | 15,895 lb |
| Weight at Drum | 3518 kg | 7,756 lb |
| With Padfoot Shell Kit | +1031 kg | +2,273 lb |
| With Leveling Blade | + 432 kg | + 952 lb |

Vibratory System Specifications

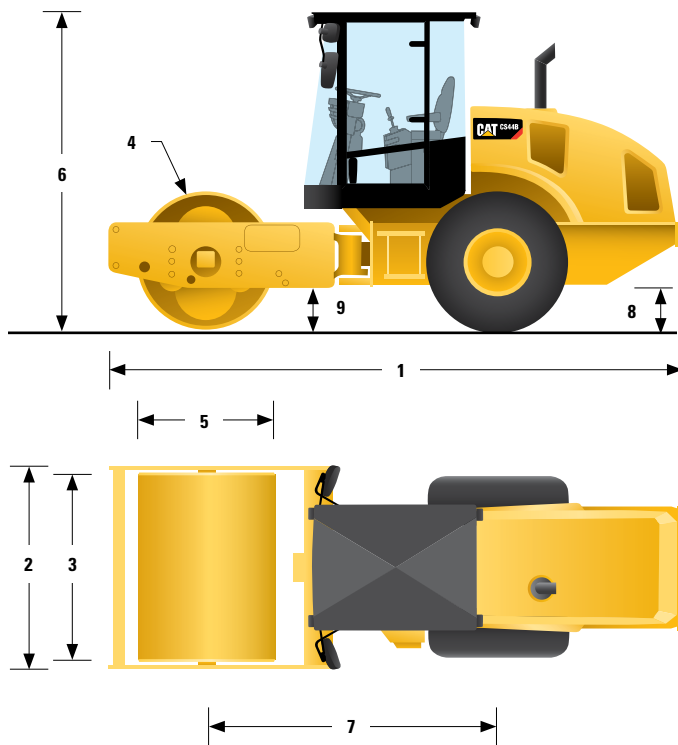
| | | |
|--|--------------|---------------|
| Frequency | | |
| Standard | 31.9 Hz | 1914 vpm |
| During Eco-mode Operation | 29 Hz | 1744 vpm |
| Optional Variable Frequency | 23.3-31.9 Hz | 1400-1914 vpm |
| Nominal Amplitude @31.9 Hz (1914 vpm) | | |
| High | 1.67 mm | 0.066 in |
| Low | 0.84 mm | 0.033 in |
| Centrifugal Force @ 31.9 Hz (1914 vpm) | | |
| Maximum | 133 kN | 29,900 lb |
| Minimum | 67 kN | 15,000 lb |
| Static Linear Load | | |
| w/ ROPS/FOPS | 20.2 kg/cm | 113 lbs/in |
| w/ ROPS/FOPS Cab | 21 kg/cm | 118 lbs/in |

Service Refill Capacities

| | | |
|---------------------------------|--------|---------|
| Fuel Tank, total capacity | 150 L | 40 gal |
| Diesel Exhaust Fluid refill | 18.9 L | 5 gal |
| Cooling System | 15.8 L | 4.2 gal |
| Engine Oil w/ Filter | 9 L | 2.4 gal |
| Eccentric Weight Housings | 26 L | 6.9 gal |
| Axle and Final Drives | 14.6 L | 3.9 gal |
| Hydraulic Tank (service refill) | 26 L | 6.9 gal |



CS44B Vibratory Soil Compactor



Dimensions

| | | |
|----------------------------|---------|----------|
| 1 Overall Length | 5.09 m | 16.7 ft |
| w/ Optional Leveling Blade | 5.62 m | 18.44 ft |
| 2 Overall Width | 1.8 m | 5.91 ft |
| w/ Optional Leveling Blade | 2.12 m | 6.95 ft |
| 3 Drum Width | 1676 mm | 66 in |
| 4 Drum Shell Thickness | 25 mm | 1 in |
| 5 Drum Diameter | 1221 mm | 48.1 in |
| 6 Overall Height | | |
| -Cab | 2.85 m | 9.35 ft |
| -ROPS/FOPS | 2.81 m | 9.22 ft |
| 7 Wheelbase | 2.6 m | 8.5 ft |
| 8 Ground Clearance | 411 mm | 16.2 in |
| 9 Curb Clearance | 369 mm | 14.5 in |
| Inside Turning Radius | 3.05 m | 10.0 ft |
| Hitch Articulation Angle | 37° | |
| Hitch Oscillation Angle | 15° | |

Optional Padfoot Shell Kit Specifications

| | | |
|-------------------------------------|----------------------|----------------------|
| Number of Pads (oval or square) | 98 | |
| Pad Height, oval pads | 89 mm | 3.5 in |
| Pad Face Area, oval pads | 63.8 cm ² | 9.9 in ² |
| Pad Height, optional square pads | 79.4 mm | 3.13 in |
| Pad Face Area, optional square pads | 95.5 cm ² | 14.8 in ² |
| Number of Chevrons | 14 | |

STANDARD EQUIPMENT *Varies by market- contact your Dealer for specifics.*

ELECTRICAL

- 12-volt Electrical System
- 120-ampere Alternator
- 1000 Cold-cranking Amps Battery Capacity

OPERATOR ENVIRONMENT

- ROPS/FOPS or ROPS/FOPS Cab *-Depends on market*
- Adjustable Seat with Integrated Console and LCD Display
- Multifunction LCD Display with gauges and/or audible warning alarm for: *Hydraulic oil temperature, Engine oil pressure, Engine coolant temperature, Alternator charge, Fuel level, Service hour meter, Engine RPM, Ground speed, Vibe frequency, Fuel rate, Air filter constriction, Engine load and Optional Cat Compaction Control*
- Platform Handrails/Guardrails *ROPS/FOPS models only*
- Adjustable Tilting Steering Column with Integrated Cup Holders
- Seat Belt
- Lockable Vandalism Guard for LCD Display *ROPS/FOPS models only*
- 12-volt Power Outlet
- Floor Mat
- Interior Rear View Mirror *ROPS/FOPS models only*
- Horn, Backup Alarm

POWER TRAIN

- Cat C3.4B Engine
- Air Cleaner, Dual Element
- Two-speed Throttle Switch, Eco-mode,
- Dual Propel Pumps; One for Drum Drive, One for Rear Axle
- Fuel Filter, Water Separator, Water Indicator
- Tilting Hydraulic Oil/Fuel Cooler
- Dual Braking System
- Two-speed Hydrostatic Transmission

VIBRATORY SYSTEM

- Smooth Drum
- Dual Amplitude, Single Frequency
- Pod-Style Eccentric Weight Housing
- Auto-vibe Function
- Front Adjustable Steel Scraper

OTHER

- Hydraulic Oil Level Sight Gauge
- Cat ToughGuard™ Hose
- S-O-SSM Sampling Valves, Engine Oil and Hydraulic Oil
- Universal Bumper

OPTIONAL EQUIPMENT

- ROPS/FOPS Cab with Climate Control
- Padfoot Shell Kit (Square or Oval pad shape)
- Scraper Shell Kit Ready
- Leveling Blade
- Variable Vibration Frequency
- Cat Compaction Control, CMV
- Beacon, Rotating
- Recording Module for Vibration Frequency
- Steel Rear-side Drum Scraper
- Bio-oil Factory Fill
- Sun Visor
- Cab Internal Roll-down Sun Screen
- Product Link™
- Additional Rear View Mirrors

For more complete information on Cat products, dealer services, and industry solutions, visit us on the web at www.cat.com

QEHQ1911-01 (07-15)

© 2015 Caterpillar
All Rights Reserved
Printed in U.S.A.

Weights and dimensions listed are approximate. Materials and specifications are subject to change without notice. Featured machines in photos may include additional equipment. See your Cat dealer for available options.

CAT, CATERPILLAR, BUILT FOR IT, their respective logos, "Caterpillar Yellow" and the "Power Edge" trade dress, as well as corporate and product identity used herein, are trademarks of Caterpillar and may not be used without permission.

