

Model 520AJ

ARTICULATING BOOM LIFT



ENVIRONMENTALLY FRIENDLY

- Variable speed engine control for improved fuel efficiency reducing operating cost

POWER & PERFORMANCE

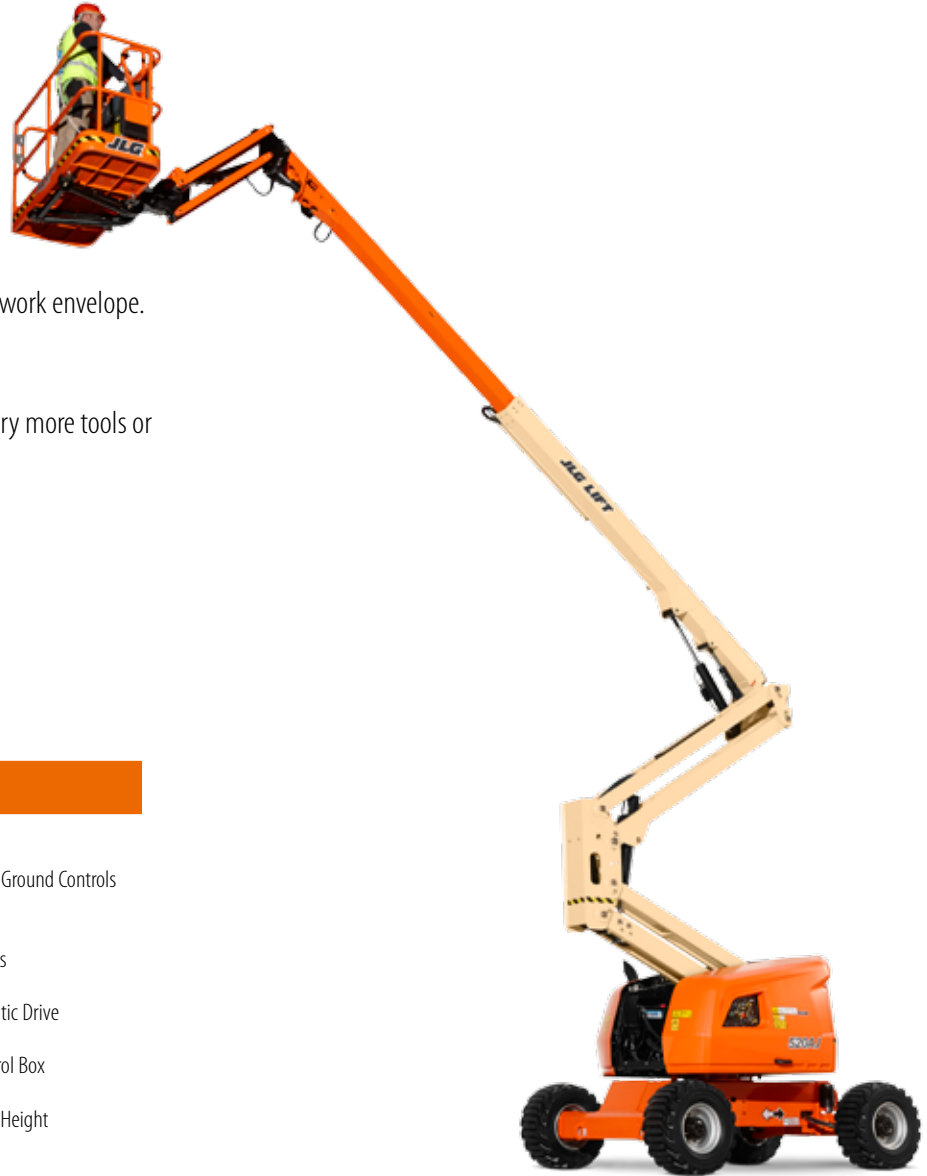
- 50%* faster full elevation time
(* actuals might vary increasing workers efficiency)

MORE ACCESS

- Half a meter more horizontal reach for an increased work envelope.

GREATER STRENGTH

- 250kg in basket vs 230kg before allowing you to carry more tools or materials to stay on a job longer.




Standard Features


- 1.24m (4ft 1in) Articulating Jib
- Platform 0.76m x 1.83m (30in x 72in) Side Entry
- 180 Degree Hydraulic Platform Rotator
- Platform Console Machine Status Light Panel¹
- AC cable to Platform
- 5 Degree Tilt Alarm/Indicator Light
- Swing Out Engine Module
- Improved Multi-Function Controls
- Dura Tough gull-wing turntable hoods
- 12V-DC Auxiliary Power
- Hourmeter
- Interactive Display at Ground Controls
- Proportional Controls
- Control ADE² System
- Lifting/Tie Down Lugs
- Horn
- Four-Wheel Hydrostatic Drive
- Oscillating Axle
- Cast Aluminum Control Box
- Motion Alarm
- Reduced Time to Full Height

Standard Specifications

Power Source	
• Diesel Engine	
• Deutz D2.3 L3 Stage IIIA	36.4 kW
• Fuel Tank Capacity	60.5 L
Hydraulic System	
• System Capacity	144 L
• Tank Capacity	136 L
• Auxiliary Power	12V-DC
Tyres	
• Standard	33/1550 x 16.5
	Foam Filled Superwide tyres
• Optional Non-Marking Tires	315/55 D20 foam filled tyres

Accessories & Options

- 0.76m x 1.22m (30 x 60in) Platform
- Inward Self-Closing Swing
- 0.76m x 1.22m (30 x 48in) Platform
- 13mm (1/2 in) Air Line to Platform
- AC Generator
- Flashing Amber Beacon 
- Hostile Environment Kit³
- Light Package
- Platform Worklights
- Operator Tool Tray
- Accessory Packages
- SkyPower⁴ Package
- SkyGuard⁴
- PipeRack
- Catalytic exhaust purifier

1. Provides indicator lights at platform control console for system distress, low fuel, 5 degree tilt, and foot switch status.
2. Includes battery blanket, hydraulic tank heater, block heater (GM), glow plugs (Deutz) 
3. Includes boom wipers, cylinder bellows and console cover.
4. Includes arctic hydraulic hoses (drive and steer only) and main boom cable, extreme cold engine oil, fuel conditioner, engine block heater, battery blanket, glow plugs, hydraulic tank heater, and oversized footswitch.

Note: Some options may increase lead time, and some option combinations may not be available.

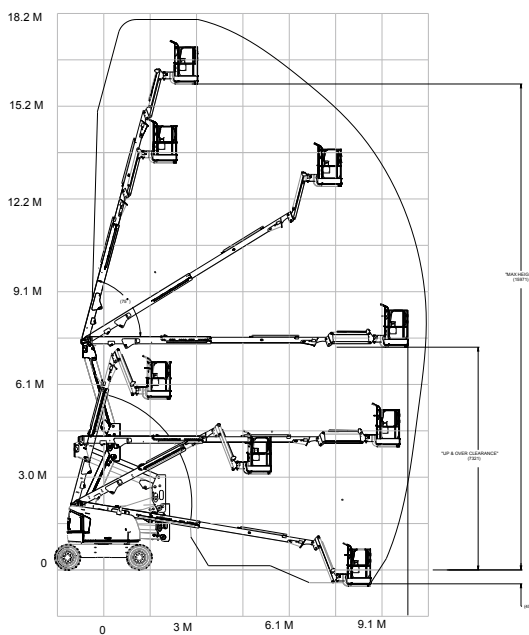
Model 520AJ

ARTICULATING BOOM LIFT

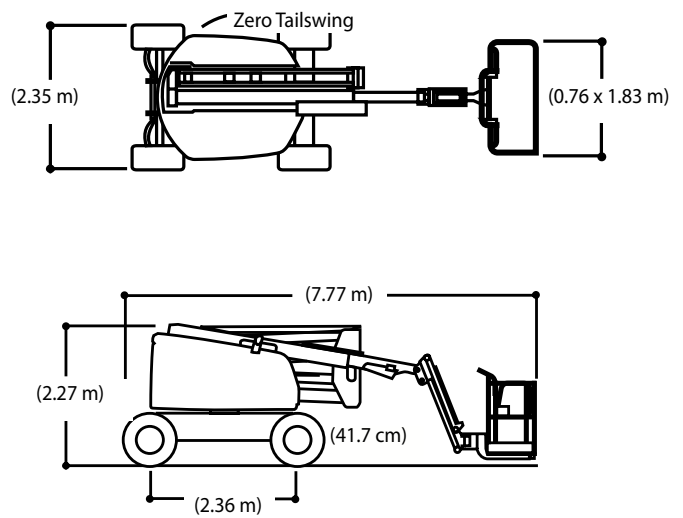
Performance

• Platform Height	16 m
• Horizontal Outreach	10 m
• Up and Over Height	7.3 m
• Swing	355 Degrees Non-Continuous
• Platform Capacity	
Unrestricted	250 kg
• Platform Size	0.76 x 1.83 m
• Platform Rotator	180 Degrees Hydraulic
• Jib	1.24 m
• Range of Articulation	144 Degrees (+76, -69)
• Weight	7,985 kg
• Max Ground Bearing Pressure	
(With Pneumatic Tires)	6.6 kg/cm ²
• Drive Speed	6.8 km/hr
• Gradeability	45%
• Axle Oscillation	10 cm
• Turning Radius	
Inside	2.06 m
Outside	4.78 m

Reach Diagram



Dimensions



IMPORTANT

JLG is continually researching and developing products and reserves the right to make modifications without prior notice. All data in this document is indicative. Certain options or country standards will increase weight. Specifications may change to meet country standards or with the addition of optional equipment.

Due to continuous product improvements, JLG Industries reserves the right to make specification and/or equipment changes without prior notification.



JLG EMEA BV

Polaris Avenue 63
2132 JH Hoofddorp
The Netherlands
Tel: +31 (0)23 565 5665
Fax: +31 (0)23 557 3750
www.jlg.com

An Oshkosh Corporation Company