



GIANT[®]
BY TOBROCO



COMPACT DESIGN
BIG IN PERFORMANCE

G2200E



ZERO EMISSION



LOW NOISE



LITHIUM-ION BATTERIES



HIGH PERFORMANCE



ENERGY RECUPERATION

TECHNICAL DATA

TYPE	G2200E	G2200E X-TRA
Service weight ¹	2.200 kg	2.200 kg
Lifting capacity	1.650 kg	2.200 kg
Tipping load ²	1.450 kg	2.054 kg
SIZE AND SPEED		
Lifting height ²	2.825 mm	2.450 mm
Length without bucket	2.975 mm	3.054 mm
Machine height ³	2.300 mm	2.300 mm
Width on standard tyres		1.080 mm
Standard tyres	10.0/75x15.3 AS	
Travel speed	0-15 km/h	
MOTOR		
Electric motor traction	6,5 kW	
Electric motor working hydraulics	12 kW	
STANDARD BATTERY		
Lithium-ion battery	48V	
Capacity	125 Ah	
Standard "on board" charger	230 V / 40A	
Charging time	4 hours	
POWERTRAIN		
Type	Hydrostatic 4 wheel drive	
Transmission	Automotive control	
Differential	Axles with limited slip	
Working hydraulics	35 l/min (200 bar)	
Parking brake	Drum brakes	

STANDARD MACHINE FEATURES

	Std	Std
Hydraulic Quick Hitch	Std	Std
Double acting valve at the front (mechanical)	Std	Std
ROPS / FOPS safetyroof incl. safety doors left and right	Std	Std
Hydraulic servicebrake on 4 wheels	Std	Std
Luxury seat with safetybelt, armrest and extended backrest	Std	Std
Towing hook at the back	Std	Std
Working light (LED) at the front	Std	Std
Battery management system	Std	Std

¹ Measured with earthbucket
² Measured with hinge point in straight position on standard tyres
³ Measured on standard tyres with safety roof

BATTERY OPTIONS

Lithium-ion battery	48V
Capacity	250 Ah
Capacity	375 Ah
Capacity	500 Ah

CHARGER OPTIONS

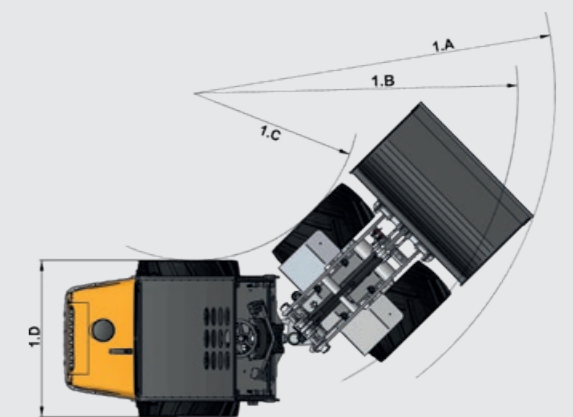
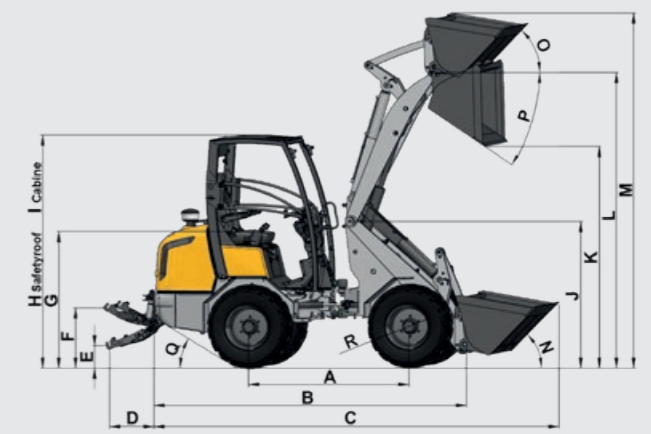
On board charger	230 V / 60 A
Charging time standard battery	2 hours
External charger (from 250 Ah battery)	48 V / 150 A
Charging time 250 Ah battery	3 hours
External charger (from 250 Ah battery)	48 V / 300 A
Charging time 250 Ah battery	1,5 hours



Energy recuperation: automatic charging of the battery, e. g. during braking processes

MEASUREMENTS

	Unit	G2200E	G2200E X-TRA
A Wheelbase	mm	1.515	1.580
B Total length	mm	2.975	3.054
C Length with bucket	mm	3.690	3.830
D Length 3 point hitch	mm	622	622
E 3 Point hitch in lowest position	mm	134	134
F 3 Point hitch in highest position	mm	797	797
G Seat height	mm	1.256	1.256
H Max. height with safety roof	mm	2.300	2.300
I Max. height with cabin	mm	2.284	2.284
J Height front frame	mm	1.480	1.250
K Max. dumping height	mm	1.988	1.680
L Lifting height	mm	2.825	2.450
M Height with bucket	mm	3.392	3.040
N Rollback angle on the ground	degrees	43	41
O Rollback angle at max. lift height	degrees	53	46
P Max. angle for bucket emptying	degrees	47	37
Q Drive-up angle	degrees	29	29
R Outer size of tires	ø mm	760	760
1D Width on standard tyres	mm	1.080	1.080
1A Turning radius with bucket	mm	2.599	2.650
1B Turning radius on outer edge	mm	2.292	2.342
1C Inner turning radius	mm	1.179	1.230



ONE MACHINE FOR EVERY JOB!

