

Owners Manual FS-2L

The FS-2L incorporates 2 ON/OFF-switches in one housing. ON/OFF-switches (latch-type) are used in most amplifiers, e.g. for channel or reverb switching.

The FS-2L can be operated without any battery. When using a battery, the 2 LEDs will indicate the state of each switch:

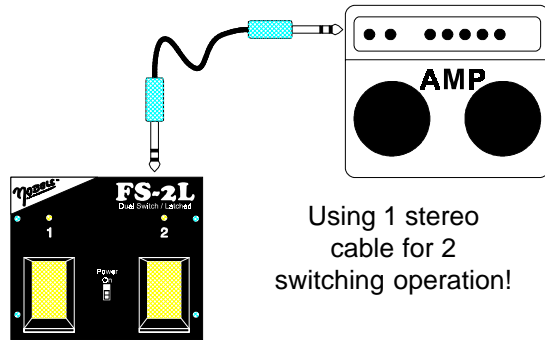
Led "ON" = switch is closed

Led "OFF" = switch is open

NOTE: Please remove the battery, if you do not need the FS-

2L for a longer period of time.

-NOTE: The switches are not connected to each other, so you have no hum noise causing by a ground loop!



Using 1 stereo cable for 2 switching operation!

2 USING A STEREO CABLE:

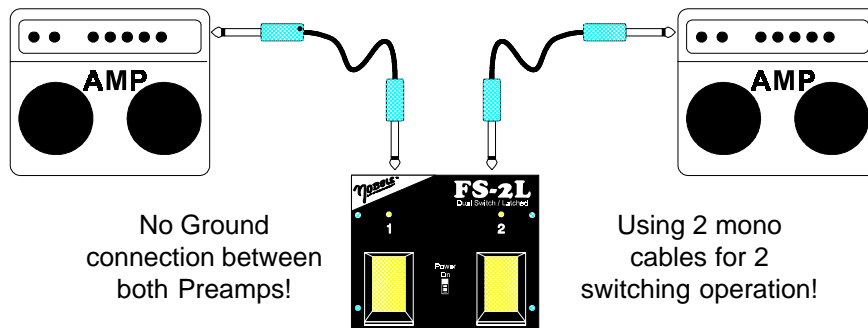
You can easily connect a stereo cable between "Out-2 / Stereo" of the FS-2L and your favorite amp. Make sure that "Out-1" is not plugged!

NOTE: Of course you also can use the FS-2L as a single switch!

3 USING 2 SEPERATE MONO CABLES:

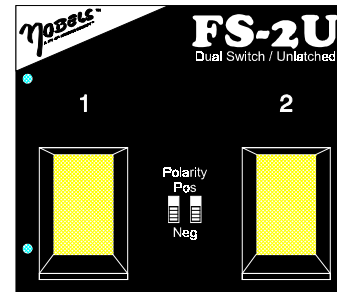
You can easily connect 2 mono cable from "Out-1" and "Out-2" of the FS-2L to 2 amps.

NOTE: The switches are not connected to each other, so you have no hum noise causing by a ground loop!



No Ground connection between both Preamps!

Using 2 mono cables for 2 switching operation!



Owners Manual FS-2U

The FS-2U is a dual footswitch for almost all units on the market which needs remote control by a latched type switch. The versatility of this switch makes it comfortable for different connections.

This unlatched (*momentary*) switch type is often used by computer controlled devices, such as multi-effects. Especially all NOBELS Effectpedals can be remote switched!

1 THE POLARITY SWITCHES

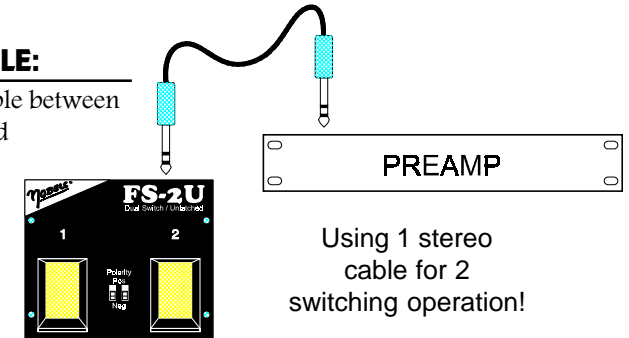
Two switches allows you to match the FS-2U to your equipment. If one or both switches are working "vice-versa" try to reverse the polarity by using the corresponding selector switch.

NOTE: Refer to the owners manual of the connected unit!

2 USING A STEREO CABLE:

You can easily connect a stereo cable between "Out-2 / Stereo" of the FS-2U and your favorite pre-amp or effect device. Make sure that "Out-1" is not plugged!

NOTE: Of course you can also use the FS-2U as a single switch!

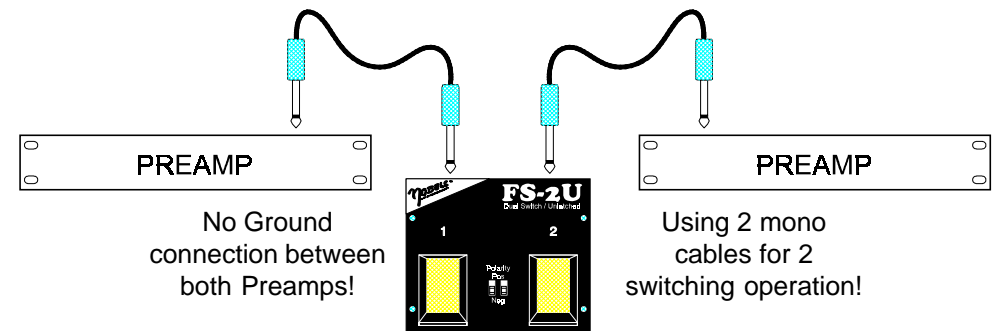


Using 1 stereo cable for 2 switching operation!

3 USING 2 SEPERATE MONO CABLES:

You can easily connect 2 mono cables from "Out-1" and "Out-2" of the FS-2U to 2 units.

NOTE: The switches are not connected to each other, so you have no hum noise causing by a ground loop!



No Ground connection between both Preamps!

Using 2 mono cables for 2 switching operation!

If you need more information: Please ask your local dealer!

