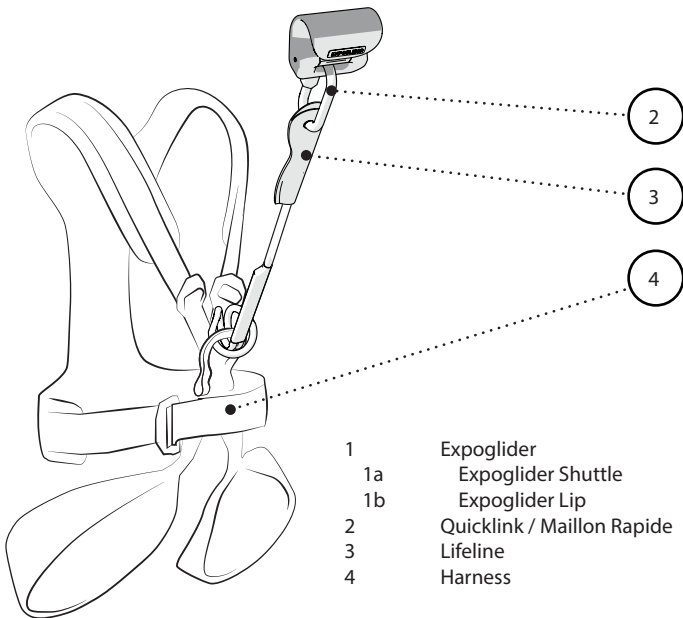
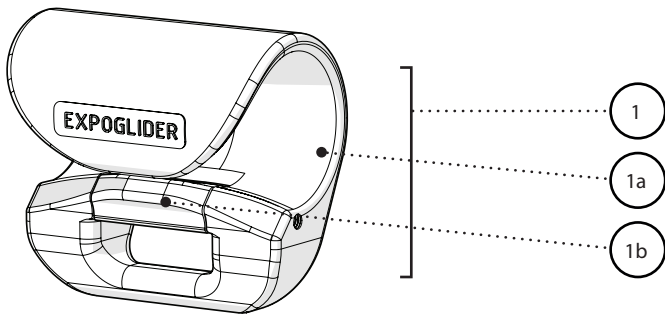
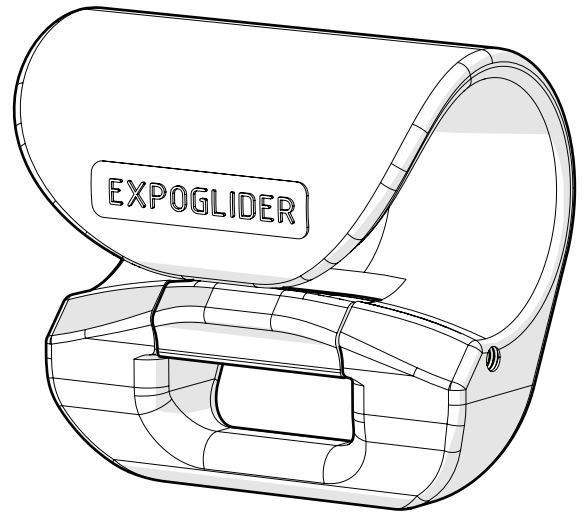


User Manual Expoglider® Shuttle

EN 795 B



- 1 Expoglider
- 1a Expoglider Shuttle
- 1b Expoglider Lip
- 2 Quicklink / Maillon Rapide
- 3 Lifeline
- 4 Harness



VAN RISWICK

We build adventure



With the CE symbol, van Riswick BV confirms that this product meets the essential requirements of the Directive EN 795 B - Personal fall protection equipment - Anchor devices and EN 17109:2017 - Ropes courses - Individual safety system - Safety requirements and test methods. The numbers below the CE symbol correspond to the code of certified institutions that were consulted under the abovementioned directives.



This symbol indicates that it is important for the user to read and take into account the relevant information in this user guide.



This symbol indicates that it is important for the user to pay attention to the relevant warning notices in this user guide.

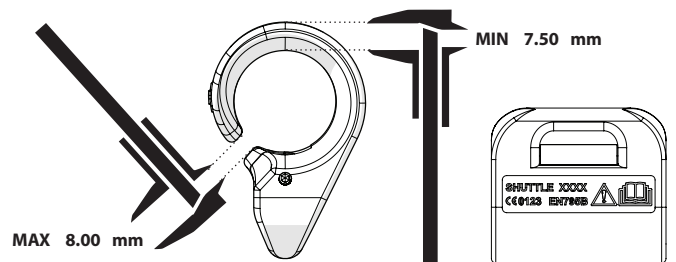


Manufacturer details

van Riswick BV
Flevolaan 32
1382 JZ Weesp
The Netherlands
www.van-riswick.eu
info@van-riswick.eu
+31352030088



Periodically check the indicated dimensions and document its compliance in the table below. In case the value does not comply, the Shuttle needs to be taken out of use.



Production Date	Serialnumber

	Date	Name / Organisation	Result
1			
2			
3			
4			
5			
6			

INTRODUCTION

Congratulations on your purchase of the Expoglider Shuttle, part of the van Riswick Expoglider PPE safety system. Read this manual carefully and follow instructions for use, maintenance and inspection to guarantee optimal use and safety of the product.

1 USE

- Before using the Shuttle, you should carefully check whether all the other components that are used in combination with this product meet all user requirements. Consult the user- and maintenance information.
- Use the Shuttle exclusively on a safety line which is designed and installed for the use with the Expoglider, and approved by van Riswick BV or any other recognized inspection agency.
- The Shuttle should always be applied by or under the supervision of a qualified supervisor.
- Only use the Shuttle as fall protection.

2 INSTALLATION

Press the Lip backward and place the Shuttle onto the safety line. Always check whether the Shuttle completely encloses the cable. Close the Shuttle by returning the Lip into its closed position. Please note to place the Shuttle in such a way that the opening is faced towards the wallprofile.

3 LIFELINE

Hook the Lifeline into the Quicklink. Only use Lifelines either supplied by van Riswick BV or Lifelines specifically developed and tested for personal fall protection. Read the instructions of the Lifeline carefully and follow them accurately.

4 QUICKLINK (Maillon Rapide)

Place the Quicklink through the opening under the suspension lip of the Shuttle. Check that the Lip remains in a closed position. Lock the Quicklink carefully with an appropriate tool.



Only use Quicklinks that are approved by van Riswick for use with the Expoglider Shuttle. For a list of approved accessories please contact van Riswick at info@van-riswick.eu.

Some types of Lifelines have adjustable lengths. Adjust the length if needed so that it does not hang down or sag. Furthermore, there should be no tension on the Lifeline when individual is standing straight.

5 CLIMBING HARNESS

Attach the other end of the LifeLine to the appropriate attachment of the climbing harness. Check whether the harness is suitable for the individual that needs to be protected and whether the harness is applied correctly. Check for wear and tear and read the use- and maintenance instructions supplied with the product.

The Expoglider Security system with Shuttle is suitable for climbing belts, chest belts, children harnesses and full-body harnesses that have an attachment item in both the front and the rear.



Only use climbing harnesses which are supplied by van Riswick or harnesses specifically developed and tested for use for personal fall protection.

6 CHECK

The Shuttle is an essential safety component. Therefore, before each use, check:

- for visual errors
- for the absence of deformations
- for the absence of wear and tear signs
- if the Lip is in a closed position

NEVER dismantle or modify the Shuttle yourself. This will void all warranty on the Shuttle. In case of a defect or if in doubt, the Shuttle needs to be immediately returned to van Riswick BV.

7 MAINTENANCE

De Expoglider Shuttle requires no special maintenance. However, it is recommended to clean the shuttle regularly. Avoid sand and other debris to ensure a proper functioning of the hinge in the Lip. Do not use corrosive acids.

