

PRODUCT FACT SHEET



COLLECTION - ALANTO

PRODUCT IMAGES



PRODUCT FEATURES:

Type: Single Lever Concealed Shower Mixer
Code: SD91247RB
Material: Brass Body with Zinc Lever
Finishing: Chrome

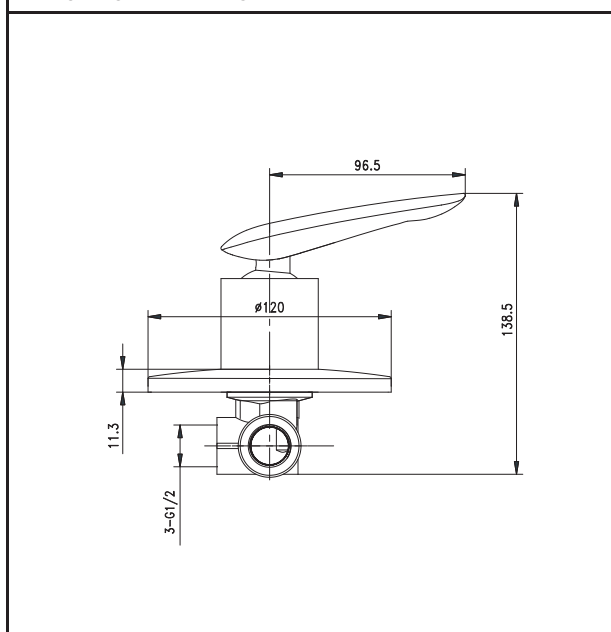
Components included:

- * 40mm Ceramic Cartridge;
- * Fixing kit

FLOW RATE: L/MIN

Water pressure	1bar	2bar	3bar	4bar	5bar
1bar~5bar	13.4	19.1	23.4	25.9	30.3

TECHNICAL DRAWING



REMARKS:

- * Quality standard apply with EN 817 regulation;
- * Plating thickness passes NSS 200H test under lab conditions;

WARRANTY:

ROCELL BATHWARE guarantees all its Chrome plated ranges of mixers and taps for a period of 5 years from the date of purchase against defect of work or materials, except for the electronic parts and the internal components such as ceramic cartridges, headworks and thermostatic cartridges which are guaranteed for a period of 2 years.

The guarantee is only offered when products are installed and cared for in line with proper fitting and maintenance methods.

For detailed information, please see our website www.rocellbathware.com

Legal disclaimer: The details provided by this technical file have an informational purpose, thus no contractual value. To obtain further information about the materials and the installation, please contact one of our sales advisors. ROCELL reserves the right to modify or delete any information regarding its products. Weights, measurements and colours may be subject to small variations.