

FIOR



URINAL (BACK INLET)

PRODUCT ID

(RB.FIR.07G100.11 / RB.TGN.0FS310.PL.PC)

Vitreous China wall mounted Urinal with back inlet water connection, modelled to be used with a sensor operated concealed flush valve.

FEATURES

- Back inlet only
- Vitreous china
- Contemporary Design

WARRANTY

- 25 year written warranty against crazing and dunting

STANDARDS APPLICABLE

Specified model meets or exceeds the following:

- BS 3402:1969
- BS EN 13407:2006

TECHNICAL INFORMATION

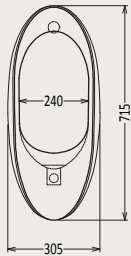
** Approximate measurements for comparison only

CONFIGURATION	WALL MOUNTED URINAL
Weight	17 kg
Height - Floor to Rim	650 mm
Nominal Dimensions	305 x 715 x 315 mm
Inlet Hole	40 mm
Waste Hole	60 mm

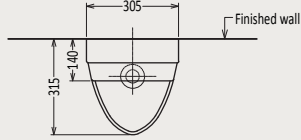
FIOR - URINAL (BACK INLET)

TECHNICAL DRAWINGS

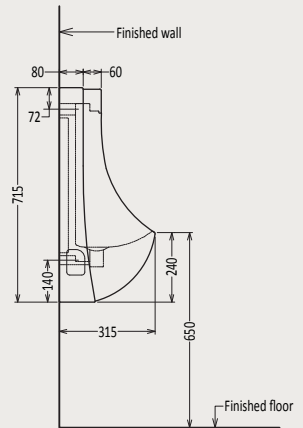
All drawings contain the necessary measurements, which are subject to standard tolerances. They are stated in mm, are drawn on a scale of 1:20 and are non-binding. Exact measurements, in particular for customized installation scenarios, can only be taken from the finished ceramic piece.



Front view



Top view



Side view

INSTALLATION NOTES

- Install this product according to the installation guide



Royal Ceramics Lanka PLC.

No.20, R.A. De Mel Mawatha, Colombo 03, Sri Lanka.

☎ 076 6 223 344 ✉ info@rcl.lk 🌐 www.roccl.com

FOLLOW US



** Dimensions of fixtures are nominal and may vary within the range of tolerance. These measurements are subject to change or cancellation. No responsibility is assumed for use of superseded or voided leaflet.