

DSP20

- ▶ 24 Digits LCD display
- ▶ 5 Inputs
- ▶ Auto-Tuning function
- ▶ SAW filters against Lte interferences
- ▶ A.C.G. in each filter
- ▶ 32 high selectivity digital filters
- ▶ DC powering by plug or coaxial*
- ▶ Zamak chassis for high screening protection



Programmable compact multi-input multiband amplifier to digitally filter, convert and equalize DVB-T/T2 channels. Ideal for fibre installation.

5 YEARS WARRANTY

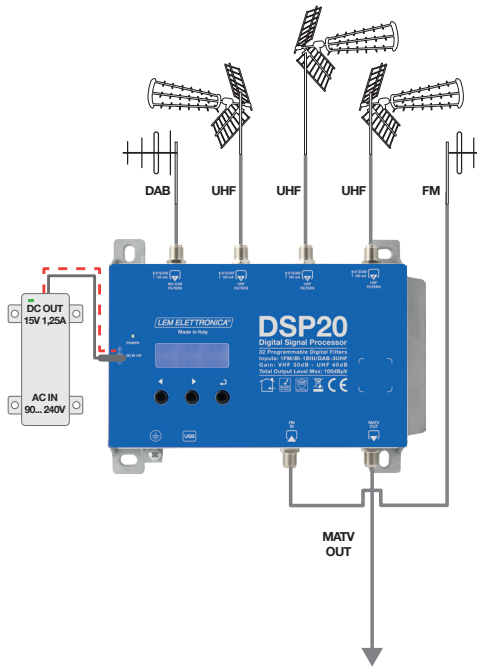
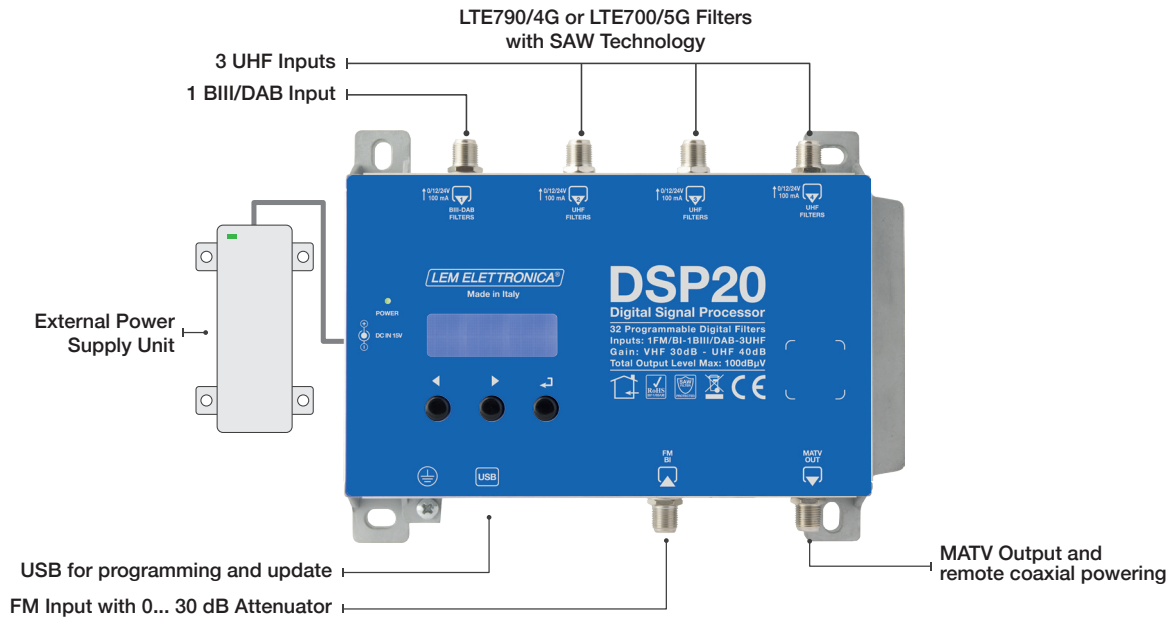
LEM GUI

SAW FILTER PROTECTED

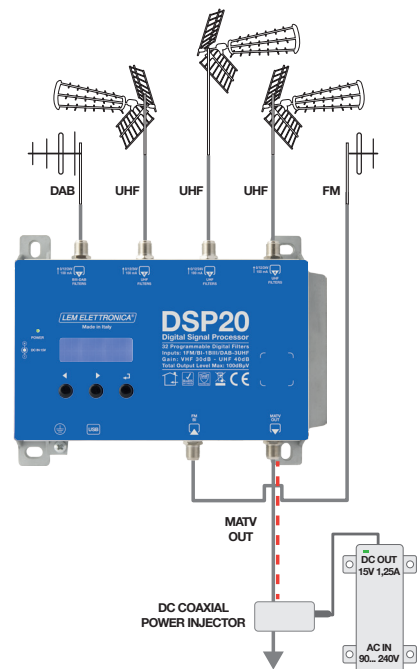
* require DC coaxial injector sold separately

MODEL		DSP20-4G	DSP20-5G
NUMBER OF INPUTS	5	1 FM; 1 BIII/DAB; 3 UHF	
INPUTS FREQUENCY RANGE	MHz	FM (40... 108) BIII (170... 230) / DAB (170... 240) UHF (470... 790)	FM (40... 108) BIII (170... 230) / DAB (170... 240) UHF (470... 694)
LTE PROTECTION		LTE790	LTE700
SINGLE CHANNEL FILTERS		32	
NUMBER OF CHANNEL PER FILTERS		1... 2	
INPUT LEVEL RANGE	dBµV	FM 35... 90 - BIII/DAB 40... 110 - UHF... 45... 90	
BI/FM INPUT ATTENUATOR	dB	0/-12/-24	
BIII/DAB INPUT AMPLIFIER	dB	0/+20 (OFF/ON)	
UHF INPUT AMPLIFIER		0/+10 (OFF/ON)	
BIII/DAB - UHF INPUTS A.C.G. RANGE	dB	40 dB	
DIGITAL FILTERS SELECTIVITY	dB	35 @1MHz	
SELECTABLE FILTERS AMPLITUDE	MHz	6/7/8/9/10	
VHF GAIN	dB	30	
UHF GAIN	dB	40	
OUTPUT LEVEL RANGE	dBµV	70... 90	
BIII/DAB ADJUSTABLE SLOPE	dB	0... -10	
UHF ADJUSTABLE SLOPE	dB	0... -5	
MAX VHF-UHF OUTPUT LEVEL	dBµV	100 (IM3 DIN 45004B - 60 dBc)	
MAX OUTPUT LEVEL WITH 6 MUX	dBµV	90	
RETURN LOSS IN/OUT	dB	>12	
USB CONNECTOR		USB 1.0 / 2.0 Type B	
REMOTE POWER SUPPLY VHF-UHF		12V / 24V 100 mA	
MAXIMUM CONSUMPTION		15Vcc 0,46A - 7W	
OPERATING TEMPERATURE	°C	-5... 50	
DIMENSIONS	mm	193 x 148 x 36	

DSP20 Connections Schematic



DSP20 power supply through the DC input.



DSP20 power supply through the MATV OUT.

Three different programming option



Direct Programming

All settings can be selected and adjusted with the easy to use built-in 24 digits display.



Automatic programming

The Auto-tuning function scans and detects DVB-T/T2 signals from the VHF/UHF inputs and allocates a single digital filter for each channel.



Applications Programming

With the user-friendly application LEMGUI available for PC Windows and Android IOS devices, all the DSP30 parameters can be set, stored, and retrieved.