



# PRESCHEM POLESAVER RODS (PS10)

Date	NOV 2014
Issue	007

## TECHNICAL DATA SHEET

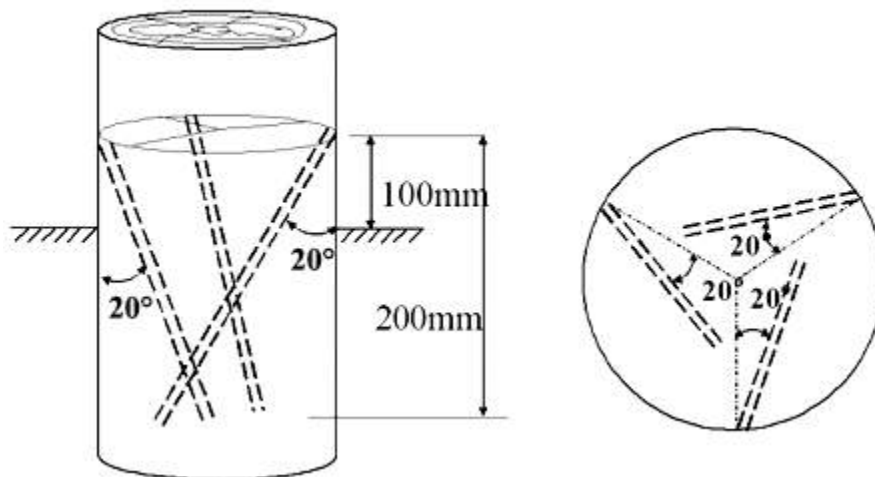
TDS 07  
Page 1 of 2

### Description

Solid rods of concentrated elemental Boron and Fluoride manufactured as slow release wood preservatives for the control of fungal decay in the heartwood of poles and other structural timber.

Active constituents	124 g/kg Boron (B) 110 g/kg Fluorine (F)
Appearance	White solid rods of 10 mm diameter x 100 mm Long
Solubility in water	Soluble (9.5% at 20°C)
Ph	7.6 (at a 10% concentration of material)
Odour	Nil
Corrosivity	Non corrosive
Compatibility	Compatible with metals and plastic
Stability	Stable indefinitely if stored in a cool dry place
Size of rod	10mm $\Phi$ x 100MM

**3 Hole Configuration**  
(Pole diameter up to 200mm)





# PRESCHEM POLESAVER RODS (PS10)

Date	NOV 2014
Issue	007

## TECHNICAL DATA SHEET

TDS 07  
Page 2 of 2

### Directions for Use

#### Treatment

1. In poles with a diameter of up to 200 mm. Drill 3 equally spaced abaxial holes of 10 mm diameter according to the diagram above at about 20° to the vertical into each pole, each hole starting about 150 mm above groundline, extending to 230 mm below groundline.
2. Insert 2 Preschem Polesaver Rods (PS10) into each hole.
3. Seal each hole with tapered plastic plugs.

#### Sterilisation of Inspection holes

1. Where 12mm holes have been used for inspection of the internal section of a wooden pole, sterilisation of these holes can be achieved by inserting a single 10mm rod into the hole and sealing with a tapered plug.

#### Mode Of Action

Preschem Polesaver Rods are recommended for the remedial treatment of centre rot and termite attack in standing poles as well as for other treatment structures subject to the ingress of water. In the presence of moisture inside the timber, the rods will slowly dissolve, releasing the active ingredients, Boron and Fluorine, which diffuse into the timber to kill any active decay fungi and provide protection from further attack. The rods are able to deliver up to 1.3 kg/m<sup>3</sup> of elemental boron and 1.2 kg/m<sup>3</sup> of elemental fluorine in the treated zone. These loadings are more than adequate to inhibit most decay fungi and insects.

#### Precautions For Use

For use as a wood preservative. Avoid contact with skin and eyes. Use impervious gloves when handling. The material is non-flammable. Store in the closed original container in a well ventilated as cool as possible. Keep packages dry. Do not expose boxes to moisture or humidity. Do not store for prolonged periods in direct sunlight. Dispose of packaging at an approved disposal site.

#### Packaging

Available in boxes containing 200 rods. Six boxes are packed into an outer carton.