

SAMSON[®]

QH4

4 CHANNEL HEADPHONE AMP



Owner's Manual

Important Safety Information



AVIS
RISQUE DE CHOC ÉLECTRONIQUE -
NE PAS OUVRIR

WARNING: TO REDUCE THE RISK OF ELECTRIC SHOCK, DO NOT REMOVE COVER (OR BACK) AS THERE ARE NO USER-SERVICEABLE PARTS INSIDE. REFER SERVICING TO QUALIFIED SERVICE PERSONNEL.



This lightning flash with arrowhead symbol within an equilateral triangle is intended to alert the user to the presence of non-insulated "dangerous voltage" within the product's enclosure that may be of sufficient magnitude to constitute a risk of electric shock.



The exclamation point within an equilateral triangle is intended to alert the user to the presence of important operating and maintenance instructions in the literature accompanying the appliance.



If you want to dispose this product, do not mix it with general household waste. There is a separate collection system for used electronic products in accordance with legislation that requires proper treatment, recovery and recycling. Private household in the 28 member states of the EU, in Switzerland and Norway may return their used electronic products free of charge to designated collection facilities or to a retailer (if you purchase a similar new one). For Countries not mentioned above, please contact your local authorities for a correct method of disposal. By doing so you will ensure that your disposed product undergoes the necessary treatment, recovery and recycling and thus prevent potential negative effects on the environment and human health.

FCC Notice

1. This device complies with Part 15 of the FCC Rules. Operation is subject to the following two conditions:
 - (1) This device may not cause harmful interference.
 - (2) This device must accept any interference received, including interference that may cause undesired operation.
2. Changes or modifications not expressly approved by the party responsible for compliance could void the user's authority to operate the equipment.

This product is capable of causing permanent damage to your hearing if used at excessive volumes!

To protect your hearing, the QH4 should always be used at as low a volume as possible. We recommend that you stringently follow the guidelines established by the U.S. Occupational Safety Health Administration (OSHA) regarding maximum time exposure at various sound pressure levels:

- Don't use this product for more than 8 hours at 90 dB SPL
- Don't use this product for more than 4 hours at 95 dB SPL
- Don't use this product for more than 2 hours at 100 dB SPL
- Don't use this product for more than 1 hour at 105 dB SPL
- Don't use this product for more than 1/2 hour at 110 dB SPL
- Don't use this product for more than 15 minutes at 115 dB SPL
- Don't operate at listening levels of greater than 120 dB SPL!

Pay attention to what your ears are telling you! Ringing is a sign that you have set the gain levels too high and that damage may result. We recommend that you consult with a qualified audiologist if you exhibit ringing or any other symptoms!

Important Safety Information

1. Read these instructions.
2. Keep these instructions.
3. Heed all warnings.
4. Follow all instructions.
5. Do not use this apparatus near water.
6. Clean only with dry cloth.
7. Do not block any ventilation openings. Install in accordance with the manufacturer's instructions.
8. Do not install near any heat sources such as radiators, heat registers, stoves, or other apparatus (including amplifiers) that produce heat.
9. Do not defeat the safety purpose of the polarized or grounding type plug. A polarized plug has two blades with one wider than the other. A grounding type plug has two blades and a third grounding prong. The wide blade or the third prong are provided for your safety. If the provided plug does not fit into your outlet, consult an electrician for replacement of the obsolete outlet.
10. Protect the power cord from being walked on or pinched particularly at the plugs, convenience receptacles, and at the point where they exit from the apparatus.
11. Only use attachments/accessories specified by the manufacturer.
12. Use only with the cart, stand, tripod, bracket, or table specified by the manufacturer, or sold with the apparatus. When a cart is used, use caution when moving the cart/apparatus combination to avoid injury from tip-over.
13. Unplug the apparatus during lightening storms or when unused for long periods of time.
14. Refer all servicing to qualified personnel. Service is required when the apparatus has been damaged in any way, such as power supply cord or plug is damaged, liquid has been spilled or objects have fallen into the apparatus has been exposed to rain or moisture, does not operate normally, or has been dropped.
15. This appliance shall not be exposed to dripping or splashing water and that no object filled with liquid such as vases shall be placed on the apparatus.
16. Caution-to prevent electrical shock, match wide blade plug wide slot fully insert.
17. Please keep a good ventilation environment around the entire unit.
18. To prevent injury, this apparatus must be securely attached to the stand in accordance with the installation instructions.



EN

FR

DE

ES

IT

Disconnection from the MAINS: The direct plug-in adapter is used as disconnect device, the disconnect device shall remain readily operable.

Hereby, Samson Technologies Corp., declares that this QH4 is in compliance with the essential requirements and other relevant provisions of Directive 2014/30/EU. The declaration of conformity may be consulted at: http://www.samsontech.com/site_media/support/manuals/QH4_DOC.pdf



Introduction

Thank you for purchasing the Samson QH4 4-channel headphone monitoring system. The QH4 provides an elegant solution for headphone monitoring, either on stage or in the studio. The perfect addition to your home recording studio, podcasting setup or just kicking back listening to music, the QH4 delivers super clean, loud, audio fidelity. The QH4 is a specially designed headphone distribution amplifier that allows you to control the level balance between four individual sets of headphones. Providing over 280mW of power to each headphone channel, the QH4 is compatible with virtually all popular headphone models. And its compact, elegant design, fits into any desktop or mobile application.

In the box, you'll find a registration card enclosed—please don't forget to follow the instructions so that you can receive online technical support and so we can send you updated information about this and other Samson products in the future. If you have any questions or comments regarding the QH4 or any other products from Samson, do not hesitate to contact us at **support@samsontech.com**.

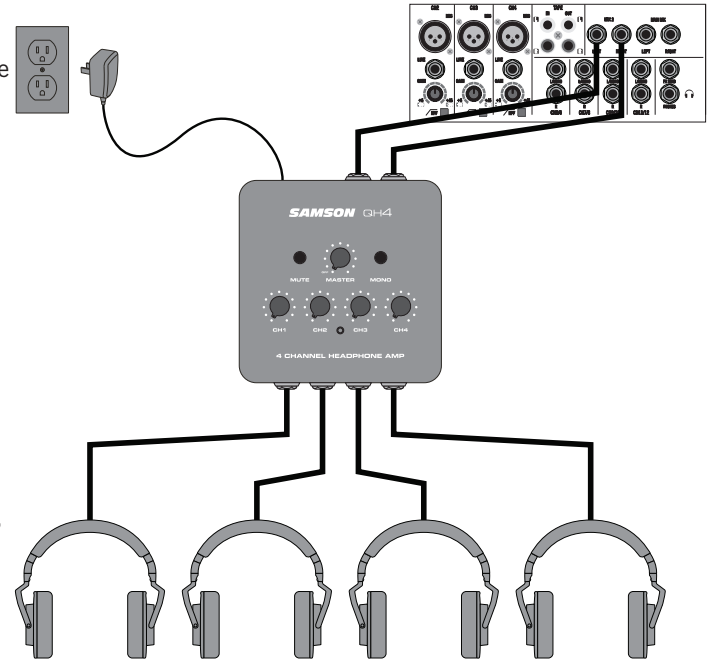
With proper care and maintenance, your QH4 will operate trouble-free for many years. Should your QH4 ever require servicing, a Return Authorization (RA) number must be obtained before shipping your unit to Samson. Without this number, the unit will not be accepted. Please visit **www.samsontech.com/ra** for an RA number prior to shipping your unit. Please retain the original packing materials and, if possible, return the unit in its original carton. If your QH4 was purchased outside of the United States, contact your local distributor for warranty details and service information.

Quick Start

Follow this basic procedure for setting up and using your QH4 4-Channel Headphone Amplifier.

NOTE: Before you connect any headphones to the QH4, be sure to double check that the signal source and QH4 amplifier level controls are turned all the way down to their fully counter clockwise positions. The QH4 can generate loud signal levels into the connected headphone. We recommend that you exercise extreme caution and care for your ears. Always start with the level controls all the way off and slowly raise the signal to a comfortable listening level.

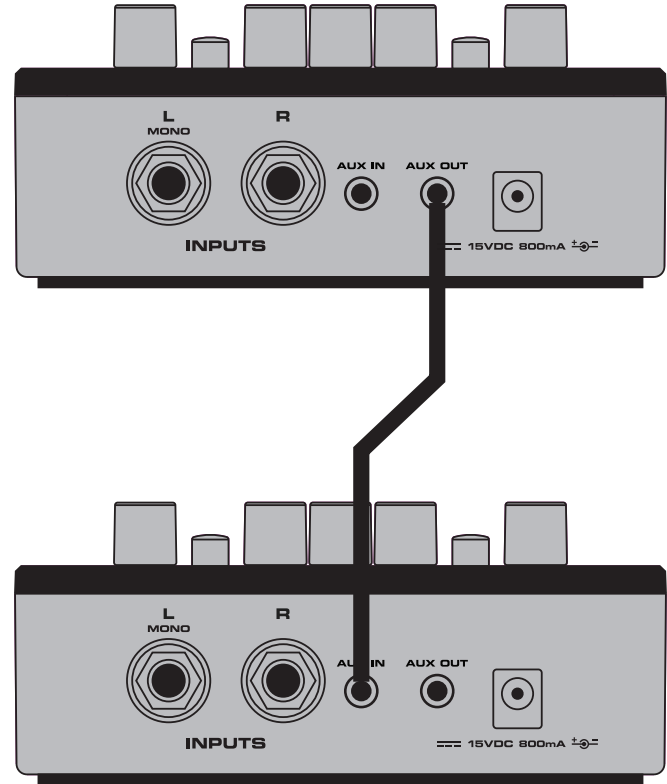
1. Turn the MASTER Volume knob all the way down until it is in the off-position (rotate counterclockwise until it clicks), and turn all four headphone channel volume knobs to their minimum (fully counterclockwise) setting.
2. Connect the included power supply to the QH4, and plug it into an AC wall socket, but leave its power off for the moment.
3. Connect the outputs from the device you want monitored to the Left and Right INPUTS on the QH4 rear panel. The QH4 accepts both balanced and unbalanced signals. It is recommended to use balanced 1/4" TRS cables because it minimizes extraneous noise from entering the signal path.
4. Connect headphones to the 1/4" headphone output jacks.
5. Play an audio signal into the QH4 inputs.
6. Raise the MASTER volume half way (to the 12 o'clock position).
7. Slowly turn the channel's level knob clockwise until you hear the desired level.
8. Repeat the previous step for all Channels that have headphones connected, making sure to start with the Headphone Volume knob completely counterclockwise and then slowly raising it until the desired level is achieved.



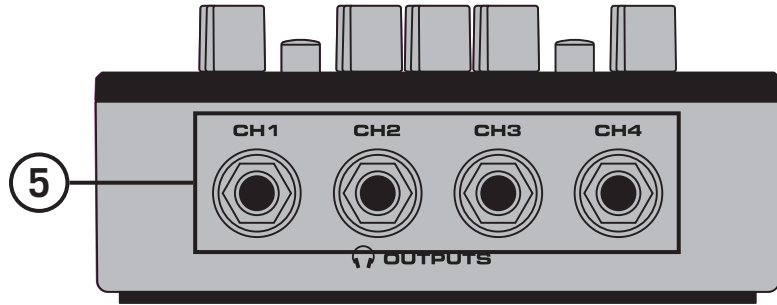
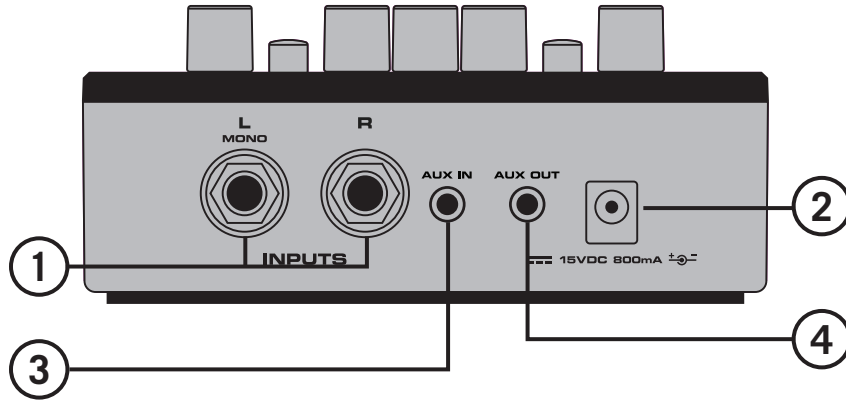
Quick Start

- To expand the QH4 to allow for more than four individual headphone outputs, you can connect multiple QH4 amplifiers together by plugging a 1/8" stereo cable into the Aux Output of the first QH4 amplifier and the Aux Input of another QH4 amplifier. You can repeat this step to add as many headphone amplifiers as necessary. The Aux Output jack is after the MASTER Volume/Power control, Mute and Mono switches, so all adjustments to these controls will affect units further down the chain.

If you have connected different models of headphones to the QH4, you may find that some require more gain than others to achieve the same volume. This kind of disparity occurs if the headphones have different sensitivities or different impedances. The lower the impedance, the louder the headphone will sound compared to another, higher impedance headphone at the same volume setting. Sensitivity is measured by determining the decibel (dB) level generated by 1 mW of power input. The higher the dB rating, the louder the headphone



Front and Rear Panel Call-Outs



1. **Line INPUTS** - Balanced 1/4" (TRS) left and right inputs. These line level inputs are the main signal inputs to the headphone amp. Plugging into only the L/MONO jack sends the signal to both the left and right.
2. **DC Power Input** - Connect the supplied power adapter here.
3. **AUX IN** - Stereo 1/8" inputs for connecting an auxiliary line level input, like that from a smart phone or computer output.
4. **AUX OUT** - Stereo 1/8" outputs that are tied to the main 1/4" and AUX inputs for linking to another headphone amp, studio monitors or other device that accepts line level signals.
5. **Headphone OUTPUTS (CH1-CH4)** - Stereo 1/4" headphone outputs. Note: Do not connect headphones with a minimum impedance less than 16Ω.

EN

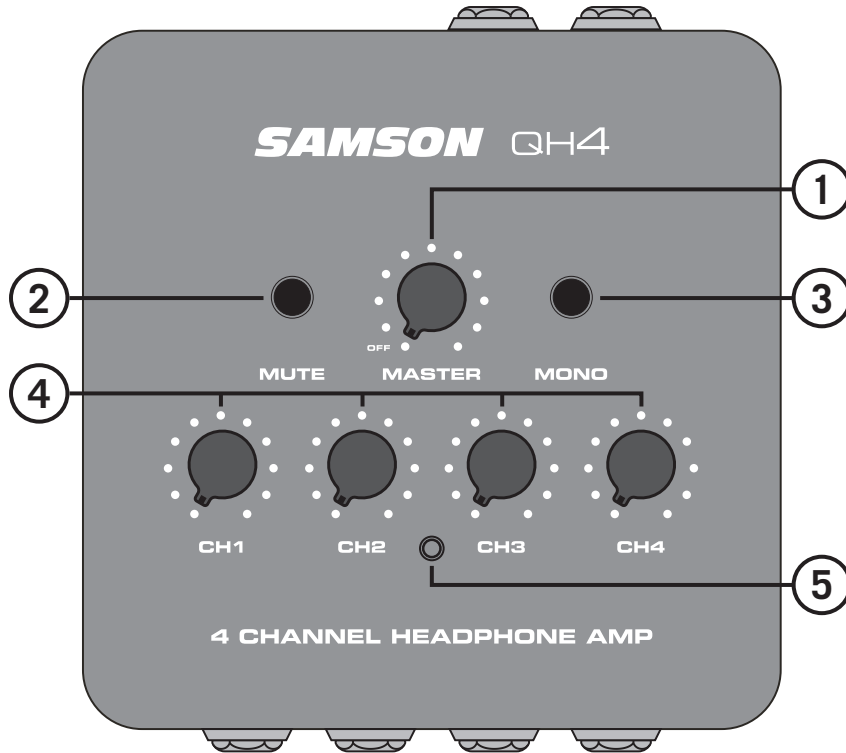
FR

DE

ES

IT

Top Panel Call-Outs



1. **MASTER Volume/Power** - This rotary knob controls the level sent to the individual headphone output channels and powers the QH4 on and off. Turn the control clockwise to turn the system on. Turn the knob counterclockwise until it clicks to turn the system off.
2. **MUTE Switch** - This switch mutes all of the headphone outputs.
3. **MONO Switch** - When pressed, the left and right inputs will be summed together into a single mono signal.
4. **Headphone Volume (CH1–CH4)** - Control knobs used to adjust the level of the headphone outputs.
5. **Power Indicator** - This white LED will illuminate when power is on indicating the QH4 is ready for operation.

Specifications

Input Connectors	2 x 1/4" balanced TRS, 1/8" stereo unbalanced TRS
Max Input Level	+21dBu, 1% THD
Input Impedance	20k Ω
Frequency Response	20Hz to 20kHz \pm 0.5dB
Noise floor	-114dBu, 22k BW unweighted
Dynamic range	122dB, 22k BW
Signal to noise ratio	96dB, re 1mW at 32 Ω load
Aux Outputs	1/8" stereo unbalanced TRS
Max Aux Output Level	+14dBu, 1% THD
Aux Output Impedance	100 Ω
Headphone Outputs	4 x 1/4" stereo TRS
Max Output Power	282mW per channel, 0.5% THD at 32 Ω
Headphone Frequency Response	20Hz to 20kHz -1dB @ 32 Ω
Controls	MASTER Volume knob, Master MUTE switch, Master MONO switch, 4 x Channel Volume knobs
External Adapter	15VDC, 800 mA, pin positive
Weight	0.88lb / 0.4kg
Dims (LxWxH)	4.88" x 4.88" x 1.57" / 124mm x 124mm x 40mm

At Samson, we are continually improving our products, therefore specifications and images are subject to change without notice.

EN

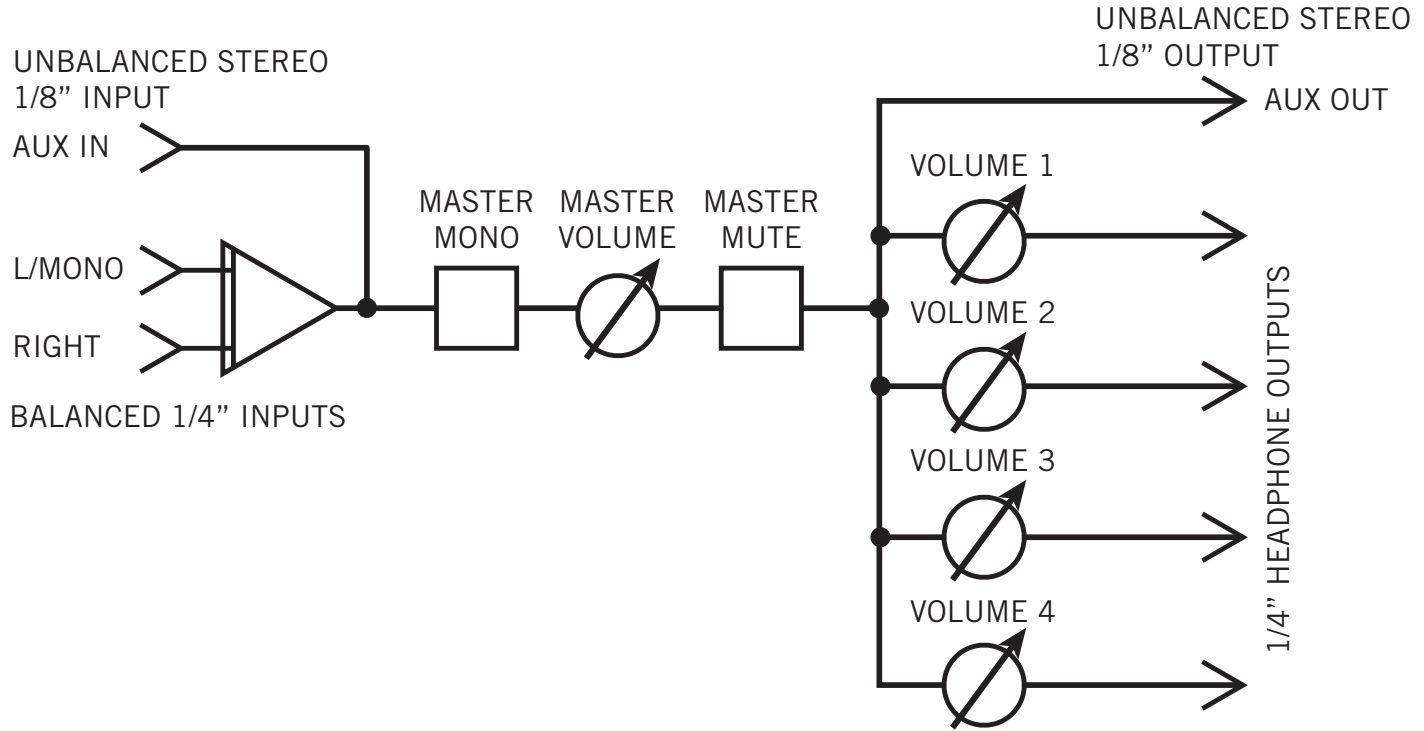
FR

DE

ES

IT

Block Diagram



Troubleshooting

Issue	Solution
No Power (power indicator is not lit)	Make sure that the included power supply is connected to the QH4 amplifier.
	Make sure that the QH4 power supply is plugged into an AC outlet.
	Turn the MASTER Volume/Power knob clockwise until it clicks into the On position.
No Audio	Make sure the QH4 is turned on.
	Make sure the audio cable is plugged into both the audio source output and the QH4 audio input jacks (either the two 1/4" INPUT jacks or the 1/8" AUX jack located on the rear of the QH4).
	Check that the audio source volume level is set to a level that can properly send a signal to the QH4. Also verify that the MASTER Volume and Headphone Volume knobs on the QH4 are turned up.
Distorted or bad audio	Check your headphones on another audio device to ensure the headphones are not at fault.
	Ensure that all audio connections are securely attached.
	Reduce the output volume of the source audio device. Reduce the volume of the QH4 headphone channels.

If these suggestions do not solve your problem, contact your nearest Samson dealer or Samson distributor. If you have any questions or comments regarding the QH4 or any other products from Samson, do not hesitate to contact us at support@samsontech.com.

EN

FR

DE

ES

IT

Consignes de sécurité importantes



AVIS
RISQUE DE CHOC ÉLECTRONIQUE -
NE PAS OUVRIR

AVERTISSEMENT : POUR RÉDUIRE LE RISQUE D'ÉLECTROCUTION, NE PAS OUVRIR LE CAPOT (OU LA FACE ARRIÈRE), CAR IL NE CONTIENT AUCUNE PIÈCE QUE L'UTILISATEUR PEUT ENTREtenir. CONFIER L'ENTRETIEN A UN TECHNICIEN QUALIFIÉ.



Cet éclair avec un symbole représentant une flèche dans un triangle équilatéral est destiné à alerter l'utilisateur sur la présence de « tension dangereuse » non isolée à l'intérieur du produit qui peut être d'une importance suffisante pour constituer un risque de choc électrique.



Le point d'exclamation dans un triangle équilatéral est destiné à alerter l'utilisateur sur la présence d'importantes instructions de fonctionnement et d'entretien dans la documentation accompagnant l'appareil.



Si vous souhaitez mettre ce produit au rebut, ne le jetez pas avec les déchets ménagers. Il existe un système de collecte séparée pour les produits électroniques usagés, conformément à la législation qui exige un traitement, une récupération et un recyclage appropriés. Les ménages privés dans les 28 états membres de l'UE, en Suisse et en Norvège peuvent renvoyer gratuitement leurs produits électroniques usagés à des centres de collecte désignés ou à un revendeur (si vous en achetez un neuf similaire). Pour les pays non mentionnés ci-dessus, veuillez contacter les autorités locales pour connaître la méthode d'élimination correcte. Ce faisant, vous vous assurez que votre produit mis au rebut subit le traitement, la récupération et le recyclage nécessaires et vous évitez ainsi les effets négatifs potentiels sur l'environnement et la santé humaine.

Avis FCC

1. Cet appareil est conforme à la partie 15 du règlement FCC. L'utilisation est soumise aux deux conditions suivantes :

- (1) cet appareil ne peut causer d'interférences nuisibles et
- (2) cet appareil doit accepter toute interférence reçue, notamment celles pouvant entraîner un dysfonctionnement.

2. Tout changement ou modification non expressément approuvé par la partie responsable de la conformité pourrait annuler le droit de l'utilisateur d'utiliser l'équipement.

Ce produit peut endommager définitivement votre ouïe s'il est utilisé à un volume excessif !

Pour protéger votre ouïe, utilisez toujours le QH4 au volume le plus faible possible. Nous recommandons de respecter strictement les directives spécifiées par l'administration américaine de la santé et de la sécurité professionnelle (U.S. Occupational Safety Health Administration (OSHA)) relatives à la durée d'exposition maximum à différents niveaux de pression sonore :

- Ne pas utiliser ce produit plus de 8 heures à 90 dB SPL
- Ne pas utiliser ce produit plus de 4 heures à 95 dB SPL
- Ne pas utiliser ce produit plus de 2 heures à 100 dB SPL
- Ne pas utiliser ce produit plus de 1 heure à 105 dB SPL
- Ne pas utiliser ce produit plus de 1/2 heure à 110 dB SPL
- Ne pas utiliser ce produit plus de 15 minutes à 115 dB SPL
- N'opérez pas à des niveaux d'écoute supérieurs à 120 dB SPL !

Écoutez vos oreilles ! Si vous ressentez des sifflements dans les oreilles, cela signifie que vous avez réglé les niveaux de gain trop haut et que vous pouvez perdre l'audition. Nous vous recommandons de consulter un ORL qualifié si vous ressentez des sifflements ou tout autre symptôme !

Informations importantes sur la sécurité

1. Lisez ces instructions.
2. Conservez ces instructions.
3. Tenez compte de tous les avertissements.
4. Suivez toutes les instructions.
5. N'utilisez pas cet appareil près de l'eau.
6. Nettoyer uniquement avec un chiffon sec.
7. N'obstruez pas les ouvertures de ventilation. Installez l'appareil conformément aux instructions du fabricant.
8. N'installez pas l'appareil à proximité de sources de chaleur telles que radiateurs, registres de chaleur, poêles ou autres appareils (y compris les amplificateurs) qui produisent de la chaleur.
9. Ne retirez en aucun cas le dispositif de sécurité de la fiche polarisée ou de terre. Une fiche polarisée possède deux lames dont l'une est plus large que l'autre. Une fiche de terre possède deux lames et une troisième broche de terre. La lame large ou la troisième broche servent à votre sécurité. Si la fiche fournie ne rentre pas dans votre prise, consultez un électricien pour le remplacement de la prise obsolète.
10. Protégez le cordon d'alimentation pour éviter qu'il ne soit piétiné ou pincé, en particulier au niveau des fiches, des prises de courant et à l'endroit où il sort de l'appareil.
11. N'utiliser que les ajouts/accessoires spécifiés par le fabricant.
12. N'utiliser qu'avec le chariot, le pied, le trépied, le support ou la table spécifiés par le fabricant, ou vendus avec l'appareil. Lorsqu'un chariot est utilisé, soyez prudent lorsque vous déplacez la combinaison chariot/appareil afin d'éviter les blessures causées par le renversement du chariot.
13. Débranchez l'appareil pendant les orages ou lorsqu'il n'est pas utilisé pendant de longues périodes de temps.
14. Pour toute réparation adressez-vous à un personnel qualifié. L'entretien est nécessaire lorsque l'appareil a été endommagé de quelque façon que ce soit, par exemple si le cordon d'alimentation ou la fiche est endommagé(e), si du liquide a été renversé ou si des objets sont tombés sur l'appareil, s'il a été exposé à la pluie ou à l'humidité, ne fonctionnent pas normalement ou est tombé..
15. Cet appareil ne doit pas être exposé à des gouttes ou des éclaboussures d'eau et aucun objet rempli de liquide tel qu'un vase ne doit être placé sur l'appareil.
16. Attention - pour éviter tout risque d'électrocution, faites correspondre la lame la plus large avec la fente la plus large et insérez entièrement.
17. Veillez à maintenir un bon environnement de ventilation autour de l'ensemble de l'appareil.
18. Pour éviter les blessures, cet appareil doit être solidement fixé au support, conformément aux instructions d'installation.

Déconnexion du secteur : L'adaptateur directement enfichable est utilisé comme dispositif de déconnexion. Le dispositif de déconnexion doit rester facilement accessible.

Par la présente, Samson Technologies Corp., déclare que cet appareil QH4 est conforme aux exigences essentielles et aux autres dispositions pertinentes de la directive 2014/30/UE. Cette déclaration de conformité peut être consultée à l'adresse : http://www.samsontech.com/site_media/support/manuals/QH4_DOC.pdf



EN

FR

DE

ES

IT

Introduction

Nous vous remercions d'avoir acheté le système de monitoring par casque à 4 canaux QH4 de Samson. Le QH4 offre un système élégant pour le monitoring au casque, que ce soit sur scène ou en studio. Le QH4 est le complément idéal de votre studio d'enregistrement, de votre installation de podcasting ou pour écouter de la musique. Il offre une qualité audio exceptionnelle, claire et forte. Le QH4 est un amplificateur de distribution de casque spécialement conçu qui vous permet de contrôler l'équilibre des niveaux entre quatre jeux de casques individuels. Fournissant plus de 280 mW de puissance à chaque canal de casque, le QH4 est compatible avec pratiquement tous les modèles de casque populaires. Et son design compact et élégant s'intègre dans n'importe quelle application de bureau ou mobile.

Dans la boîte, vous trouverez une carte de garantie. N'oubliez pas de suivre les instructions pour recevoir votre assistance technique en ligne et pour que nous puissions vous envoyer des informations actualisées sur ce produit et les autres produits Samson. Si vous avez des questions ou des commentaires concernant le QH4 ou tout autre produit de Samson, n'hésitez pas à nous contacter à l'adresse suivante **support@samsontech.com**.

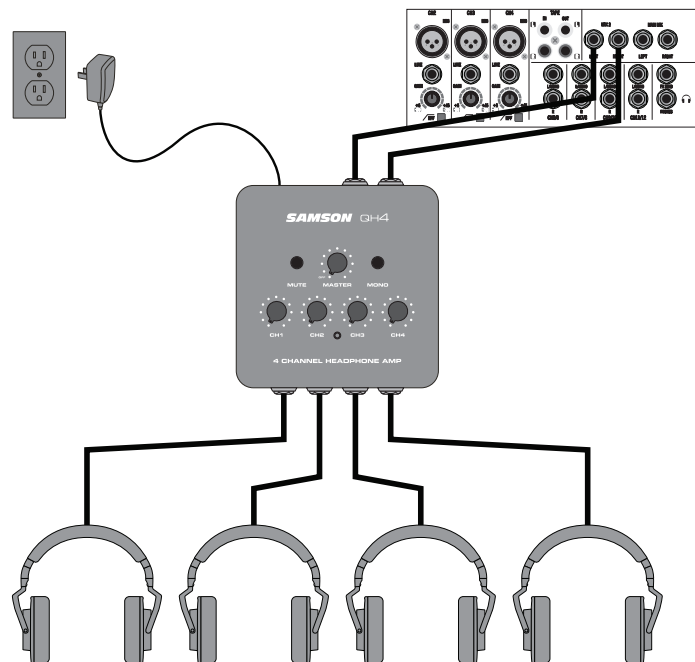
Avec un entretien régulier et des soins appropriés, votre QH4 fonctionnera sans souci pendant des années. Si votre QH4 doit être réparé, vous devez obtenir un numéro d'autorisation de retour (RA) avant de renvoyer votre appareil chez Samson. Sans ce numéro, l'appareil ne sera pas accepté. Veuillez consulter le site **www.samsontech.com/ra** pour obtenir un numéro RA avant d'expédier votre appareil. Veuillez conserver les matériaux d'emballage d'origine et, si possible, retourner l'appareil dans son emballage d'origine. Si vous avez acheté votre QH4 en dehors des États-Unis, contactez votre distributeur local pour en savoir plus sur la garantie et les services d'entretien.

Démarrage rapide

Suivez cette procédure de base pour configurer et utiliser votre amplificateur de casque à 4 canaux QH4.

REMARQUE : Avant de connecter un casque au QH4, vérifiez que les commandes de niveau de la source de signal et de l'amplificateur du QH4 sont tournées à fond dans le sens inverse des aiguilles d'une montre. Le QH4 peut générer des niveaux de signal élevés dans le casque connecté. Nous vous recommandons de faire preuve d'une extrême prudence et de prendre soin de vos oreilles. Commencez toujours avec les commandes de niveau complètement désactivées et augmentez lentement le signal jusqu'à un niveau d'écoute confortable.

1. Tournez le bouton MASTER Volume à fond jusqu'à ce qu'il soit en position d'arrêt (tournez dans le sens inverse des aiguilles d'une montre jusqu'à ce qu'un déclic se fasse entendre), et tournez les quatre boutons de volume des canaux de casque à leur réglage minimum (à fond dans le sens inverse des aiguilles d'une montre).
2. Connectez le bloc d'alimentation fourni au QH4, et branchez-le dans une prise murale CA, mais laissez-le hors tension pour le moment.
3. Connectez les sorties de l'appareil que vous souhaitez contrôler aux entrées gauche et droite (Left et Right INPUTS) du panneau arrière du QH4. Le QH4 accepte les signaux symétriques et asymétriques. Il est recommandé d'utiliser des câbles TRS de 1/4 po symétriques, car cela permet de minimiser l'entrée de bruits parasites dans le chemin du signal.
4. Branchez un casque sur les prises de sortie casque de 1/4 po.
5. Lisez un signal audio dans les entrées du QH4.
6. Augmentez le volume MASTER de moitié (jusqu'à la position 12 heures).
7. Tournez lentement le bouton de niveau du canal dans le sens des aiguilles d'une montre jusqu'à ce que vous entendiez le niveau souhaité.



EN

FR

DE

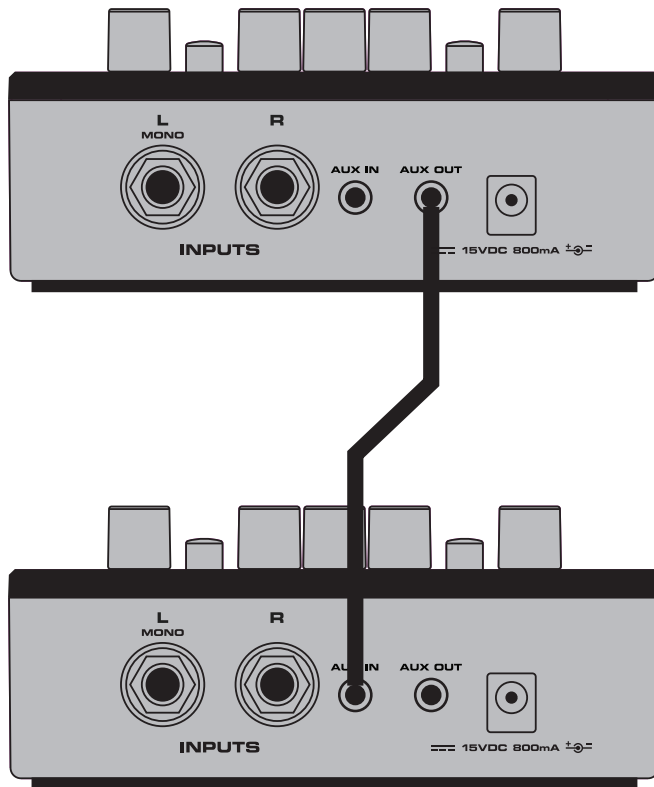
ES

IT

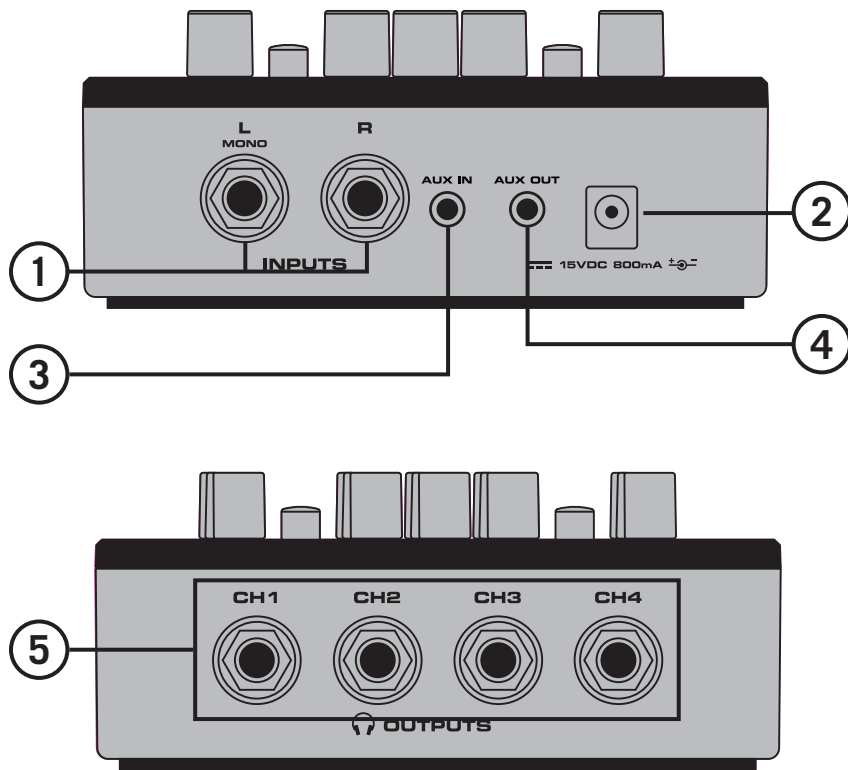
Démarrage rapide

- Répétez l'étape précédente pour tous les canaux dont le casque est connecté, en veillant à commencer avec le bouton de volume du casque complètement dans le sens inverse des aiguilles d'une montre, puis en l'augmentant lentement jusqu'à ce que le niveau souhaité soit atteint.
- Pour étendre le QH4 afin de permettre plus de quatre sorties casque individuelles, vous pouvez connecter plusieurs amplificateurs QH4 ensemble en branchant un câble stéréo de 1/8 po dans la sortie auxiliaire du premier amplificateur QH4 et l'entrée auxiliaire d'un autre amplificateur QH4. Vous pouvez répéter cette étape pour ajouter autant d'amplificateurs de casque que nécessaire. La prise de sortie auxiliaire se trouve après la commande MASTER Volume/Power, les commutateurs Mute et Mono, de sorte que tous les réglages de ces commandes affecteront les unités situées plus bas dans la chaîne.

Si vous avez connecté différents modèles de casques au QH4, vous pouvez constater que certains nécessitent plus de gain que d'autres pour obtenir le même volume. Ce type de disparité se produit si les écouteurs ont des sensibilités différentes ou des impédances différentes. Plus l'impédance est faible, plus le casque sera fort par rapport à un autre casque d'impédance plus élevée au même réglage de volume. La sensibilité est mesurée en déterminant le niveau de décibels (dB) généré par 1 mW de puissance d'entrée. Plus l'indice dB est élevé, plus le casque est fort.



Sorties des panneaux avant et arrière



1. **Entrées de ligne INPUTS** - Entrées symétriques de 1/4 po (TRS) gauche et droite. Ces entrées de niveau ligne sont les entrées principales du signal vers l'amplificateur de casque. Le fait de brancher uniquement la prise L/MONO envoie le signal à la fois à gauche et à droite.
2. **Entrée d'alimentation DC** - Connectez l'adaptateur électrique fourni ici.
3. **AUX IN** - Entrées stéréo de 1/8 po pour la connexion d'une entrée auxiliaire de niveau ligne, comme celle d'un téléphone intelligent ou d'une sortie d'ordinateur.
4. **AUX OUT** - Sorties stéréo de 1/8 po liées aux entrées principales de 1/4 po et AUX pour le raccordement à un autre amplificateur de casque, à des moniteurs de studio ou à un autre appareil acceptant les signaux de niveau ligne.
5. **SORTIES CASQUE (CH1-CH4)** - Sorties casque stéréo de 1/4 po. Remarque : Ne connectez pas de casque dont l'impédance minimale est inférieure à 16 Ω .

EN

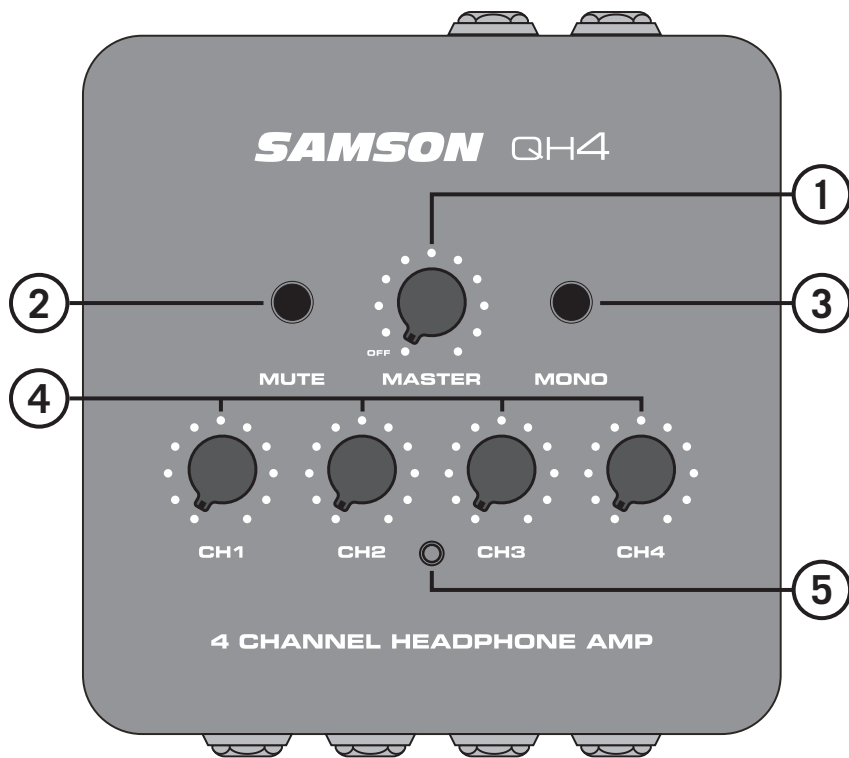
FR

DE

ES

IT

Sorties du panneau supérieur



1. **MASTER Volume/Power** - Ce bouton rotatif contrôle le niveau envoyé aux canaux de sortie casque individuels et allume et éteint le QH4. Tournez le contrôle dans le sens des aiguilles d'une montre pour allumer le système. Tournez le bouton dans le sens inverse des aiguilles d'une montre jusqu'à entendre un « clic » pour éteindre le système.
2. **MUTE** - Cet interrupteur coupe toutes les sorties casque.
3. **MONO** - Lorsqu'il est enfoncé, les entrées gauche et droite sont additionnées en un seul signal mono.
4. **Volume du casque (CH1-CH4)** - Boutons de contrôle utilisés pour régler le niveau des sorties du casque.
5. **Voyant d'alimentation** - Ce voyant blanc s'allume lorsque l'appareil est sous tension, indiquant que le QH4 est prêt à fonctionner.

Caractéristiques techniques

Connecteurs d'entrée	2 x 1/4 po TRS symétrique, 1/8 po TRS stéréo asymétrique
Niveau d'entrée maximum	+21 dBu, 1 % THD
Impédance d'entrée	20 k Ω
Réponse en fréquence	20 Hz à 20 kHz \pm 0,5 dB
Plancher de bruit	-114 dBu, 22k BW non pondéré
Plage dynamique	122 dB, 22k BW
Rapport signal/bruit	96 dB, re 1 mW à 32 Ω de charge
Sorties auxiliaires	TRS 1/8 po stéréo asymétrique
Niveau de sortie auxiliaire maximum	+14 dBu, 1 % THD
Impédance de sortie auxiliaire	100 Ω
Sorties casque	4 x 1/4 po stéréo TRS
Puissance de sortie maximale	282 mW par canal, 0,5 % THD à 32 Ω
Réponse en fréquence du casque	20 Hz à 20 kHz -1 dB @ 32 Ω
Commandes Bouton de volume	MASTER, interrupteur Master MUTE, interrupteur Master MONO, 4 boutons de volume de canal
Adaptateur externe	15 V c.c., 800 mA, broche positive
Poids	0,4 kg (0,88 livres)
Dims (L x l x H)	4,88 x 4,88 x 1,57 po / 124 x 124 x 40 mm

Chez Samson, nous améliorons continuellement nos produits, c'est pourquoi les caractéristiques techniques et les images sont sujettes à changement sans préavis.

EN

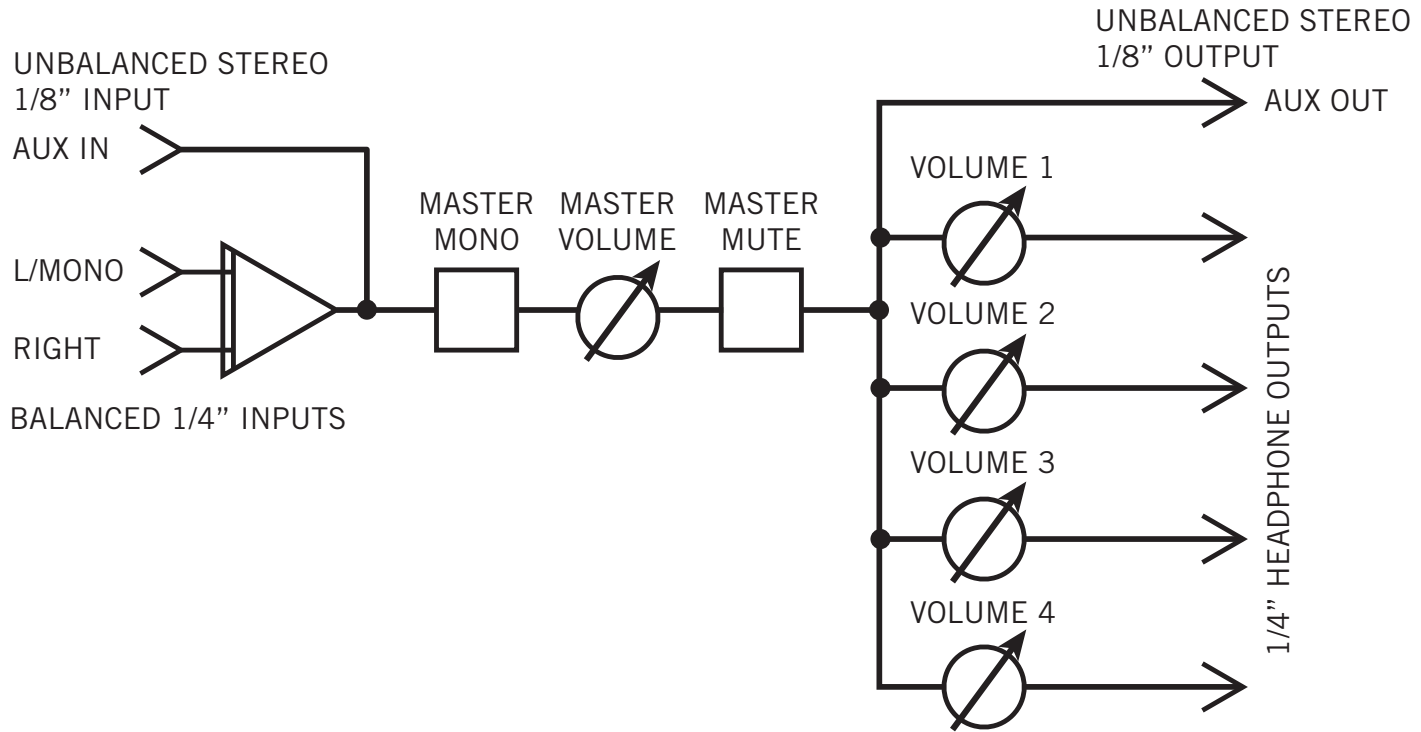
FR

DE

ES

IT

Schéma fonctionnel



Dépannage

Problème	Solution
Pas d'alimentation (le voyant d'alimentation n'est pas allumé)	Assurez-vous que l'alimentation électrique fournie est connectée à l'amplificateur QH4.
	Assurez-vous que l'alimentation électrique du QH4 est branchée sur une prise de courant alternatif.
	Tournez le bouton MASTER Volume/Power dans le sens des aiguilles d'une montre jusqu'à ce qu'il s'enclenche sur la position On.
Pas de son	Assurez-vous que le QH4 est allumé.
	Assurez-vous que le câble audio est branché à la fois sur la sortie de la source audio et sur les prises d'entrée audio du QH4 (soit les deux prises INPUT de 1/4 po, soit la prise AUX de 1/8 po située à l'arrière du QH4).
	Vérifiez que le volume de la source audio est réglé à un niveau permettant d'envoyer correctement un signal au QH4. Vérifiez également que les boutons MASTER Volume et Headphone Volume du QH4 sont tournés vers le haut.
	Vérifiez vos écouteurs sur un autre appareil audio pour vous assurer que les écouteurs ne sont pas en cause.
Audio déformé ou mauvais	Assurez-vous que toutes les connexions audio sont bien fixées.
	Réduisez le volume de sortie de l'appareil audio source.
	Réduisez le volume des canaux des écouteurs du QH4.

Si ces suggestions ne résolvent pas votre problème, contactez votre revendeur Samson le plus proche ou votre distributeur Samson.

Si vous avez des questions ou des commentaires concernant le QH4 ou tout autre produit de Samson, n'hésitez pas à nous contacter à l'adresse suivante support@samsontech.com.

EN

FR

DE

ES

IT

Wichtige Sicherheitsinformationen



AVIS
RISQUE DE CHOC ÉLECTRIQUE –
NE PAS OUVRIR

WARNHINWEIS: UM EINEN STROMSCHLAG ZU VERMEIDEN, NEHMEN SIE FRONTBLLENDE UND RÜCKWAND NICHT SELBST AB, DA SICH IM INNEREN DES GERÄTS KEINE VOM NUTZER ZU WARTENDEN TEILE BEFINDEN. ÜBERLASSEN SIE WARTUNGS- UND REPARATURARBEITEN QUALIFIZIERTEN FACHKRÄFTEN.



Das Dreieck mit dem Blitz-Pfeil-Symbol soll den Anwender darauf hinweisen, dass nicht isolierte „gefährliche Spannung“ im Gerätegehäuse vorhanden ist und diese u. U. ein Stromschlagrisiko darstellt.



Das Dreieck mit dem Ausrufezeichen soll für den Anwender wichtige Hinweise zu Betrieb und Wartung des Geräts hervorheben.



Entsorgen Sie dieses Gerät nach Ende seiner Nutzungsdauer bitte nicht als Restmüll. Es gibt ein separates Sammelsystem für gebrauchte, elektronische Produkte gemäß der Gesetzgebung, die eine ordnungsgemäße Behandlung, Rückgewinnung und Recycling erfordert. Privathaushalte in den 28 Mitgliedsstaaten der EU, in der Schweiz und in Norwegen können ihre gebrauchten, elektronischen Produkte kostenlos an benannte Sammelstellen oder an einen Einzelhändler zurückgeben (wenn Sie ein ähnliches neues Produkt kaufen). Für Länder, die nicht oben erwähnt werden, wenden Sie sich für eine ordnungsgemäße Entsorgungsmethode bitte an Ihre örtlichen Behörden. Auf diese Weise stellen Sie sicher, dass Ihr entsorgtes Produkt der erforderlichen Bearbeitung, Verwertung und Wiederverwertung unterzogen wird und verhindern so mögliche negative Auswirkungen auf die Umwelt und die menschliche Gesundheit.

FCC-Hinweis

1. Dieses Gerät erfüllt Teil 15 der FCC-Richtlinien. Der Betrieb unterliegt den folgenden beiden Bedingungen:
 - (1) Dieses Gerät darf keine gefährlichen Interferenzen verursachen.
 - (2) Dieses Gerät muss alle empfangenen Störungen aufnehmen können, einschließlich Störungen, die einen unerwünschten Betrieb verursachen können.
2. Änderungen, die nicht ausdrücklich von der für die Einhaltung der Vorschriften verantwortlichen Stelle genehmigt wurden, könnten die Befugnis des Benutzers zum Betrieb des Geräts aufheben.

Dieses Produkt kann Ihr Gehör durch Verwendung bei übermäßigen Lautstärken dauerhaft schädigen!

Um Ihr Gehör zu schützen, sollte der QH4 immer so leise wie möglich betrieben werden. Bitte beachten Sie folgende Richtlinien der Occupational Safety Health Administration (OSHA) zu den maximalen Zeitspannen bei unterschiedlichen Schalldruckpegeln:

- Verwenden Sie dieses Produkt bei 90 dB SPL nicht länger als acht Stunden.
- Verwenden Sie dieses Produkt bei 95 dB SPL nicht länger als vier Stunden.
- Verwenden Sie dieses Produkt bei 100 dB SPL nicht länger als zwei Stunden.
- Verwenden Sie dieses Produkt bei 105 dB SPL nicht länger als eine Stunde.
- Verwenden Sie dieses Produkt bei 110 dB SPL nicht länger als eine halbe Stunde.
- Verwenden Sie dieses Produkt bei 115 dB SPL nicht länger als 15 Minuten.
- Verwenden Sie dieses Produkt nicht bei Schalldruckpegeln über 120 dB SPL!

Achten Sie auf Ihre Ohren! Ohrgeräusche sind ein Zeichen dafür, dass Sie die Lautstärke zu hoch eingestellt haben und Gehörschäden entstehen können. Wenn Sie Ohrgeräusche oder andere Symptome feststellen, empfehlen wir die Untersuchung durch einen qualifizierten Hörgeräteakustiker!

Wichtige Sicherheitsinformationen

1. Lesen Sie diese Anweisungen.
2. Bewahren Sie diese Anweisungen auf.
3. Beachten Sie alle Warnhinweise.
4. Befolgen Sie alle Anweisungen.
5. Verwenden Sie dieses Gerät nicht in der Nähe von Wasser.
6. Nur mit einem trockenen Tuch reinigen.
7. Blockieren Sie keine Lüftungsöffnungen. Installieren Sie das Gerät gemäß den Anweisungen des Herstellers.
8. Installieren Sie das Gerät nicht in der Nähe von Wärmequellen wie Heizkörpern, Heizregistern, Öfen oder anderen Geräten (einschließlich Verstärkern), die Wärme erzeugen.
9. Unterbrechen Sie nicht die Sicherheitsfunktion des polarisierten oder geerdeten Steckers. Ein polarisierter Stecker hat zwei Kontakte, von denen einer breiter ist als der andere. Ein geerdeter Stecker hat zwei Kontakte und eine dritte Erdungszinke. Der breite Kontakt oder die dritte Zinke sind zu Ihrer Sicherheit vorgesehen. Wenn der mitgelieferte Stecker nicht in Ihre Steckdose passt, wenden Sie sich an einen Elektriker, um die veraltete Steckdose auszutauschen.
10. Sorgen Sie dafür, dass nicht auf das Netzkabel getreten oder dass es eingeklemmt wird, insbesondere an den Steckern, Steckdosen und an der Stelle, an der es aus dem Gerät austritt.
11. Verwenden Sie nur vom Hersteller spezifizierte Aufsätze/Zubehörteile.
12. Nur mit dem vom Hersteller angegebenen oder mit dem Gerät verkauften Wagen, Ständer, Stativ, Halter oder Tisch verwenden. Wenn ein Wagen verwendet wird, ist beim Bewegen des Wagens/der Gerätekombination Vorsicht geboten, um Verletzungen durch Umkippen zu vermeiden.
13. Ziehen Sie den Netzstecker des Geräts aus der Steckdose, wenn ein Gewitter aufzieht oder das Gerät voraussichtlich für längere Zeit ungenutzt bleibt.
14. Überlassen Sie alle Wartungsarbeiten qualifiziertem Personal. Ein Wartungseinsatz ist erforderlich, wenn das Gerät auf irgendeine Weise beschädigt wurde, z. B. wenn das Netzkabel oder der Stecker beschädigt ist, Flüssigkeit verschüttet wurde oder Gegenstände in das Gerät gefallen sind, Regen oder Feuchtigkeit ausgesetzt waren, nicht normal funktionieren oder fallen gelassen wurden.
15. Dieses Gerät darf keinem Tropf- oder Spritzwasser ausgesetzt sein und es dürfen keine mit Flüssigkeit gefüllten Gegenstände, wie z. B. Vasen, auf das Gerät gestellt werden.
16. Vorsicht – um einen Stromschlag zu vermeiden, muss der breite Kontakt vollständig in den breiten Kontaktschlitz eingeschoben werden.
17. Bitte sorgen Sie für eine gute Lüftung rund um das gesamte Gerät.
18. Um Verletzungen vorzubeugen, muss dieses Gerät entsprechend den für die Aufstellung relevanten Anweisungen fest mit dem Stativ verbunden sein.

Trennen vom Stromnetz: Das direkte Steckernetzteil wird als Trennvorrichtung verwendet, die Trennvorrichtung muss problemlos bedienbar bleiben.

Hiermit erklärt die Samson Technologies Corp., dass QH4 die wesentlichen Anforderungen und sonstige anwendbare Bestimmungen der Richtlinie 2014/30/EU erfüllt. Die Konformitätserklärung ist über folgenden Link einsehbar: http://www.samsontech.com/site_media/support/manuals/QH4_DOC.pdf



EN

FR

DE

ES

IT

Einführung

Vielen Dank, dass Sie sich für das Samson QH4 4-Kanal Kopfhörer-Monitoring-System entschieden haben. Der QH4 ist eine elegante Lösung für Kopfhörer-Monitoring auf der Bühne oder im Studio. Das QH4 ist die perfekte Ergänzung für Ihr Homerecording-Studio, Ihr Podcasting-Setup oder einfach nur zum Entspannen beim Musikhören und liefert eine extrem saubere, laute Audiowiedergabe. Der QH4 ist ein speziell entwickelter Kopfhörer-Verteilerverstärker, mit dem Sie die Pegelbalance zwischen vier einzelnen Kopfhörern steuern können. Der QH4 liefert über 280 mW Leistung an jeden Kopfhörerkanal und ist mit praktisch allen gängigen Kopfhörermodellen kompatibel. Sein kompaktes, elegantes Design passt in jede Desktop- oder Mobilanwendung.

In der Box finden Sie eine Registrierungskarte. Bitte vergessen Sie nicht, den Anweisungen zu folgen, damit Sie technischen Support online erhalten. So können wir Ihnen in Zukunft auch aktualisierte Informationen über dieses Produkt und weitere Produkte von Samson zukommen lassen. Wenn Sie Fragen oder Anmerkungen zum QH4 oder anderen Produkten von Samson haben, kontaktieren Sie uns unter **support@samsontech.com**.

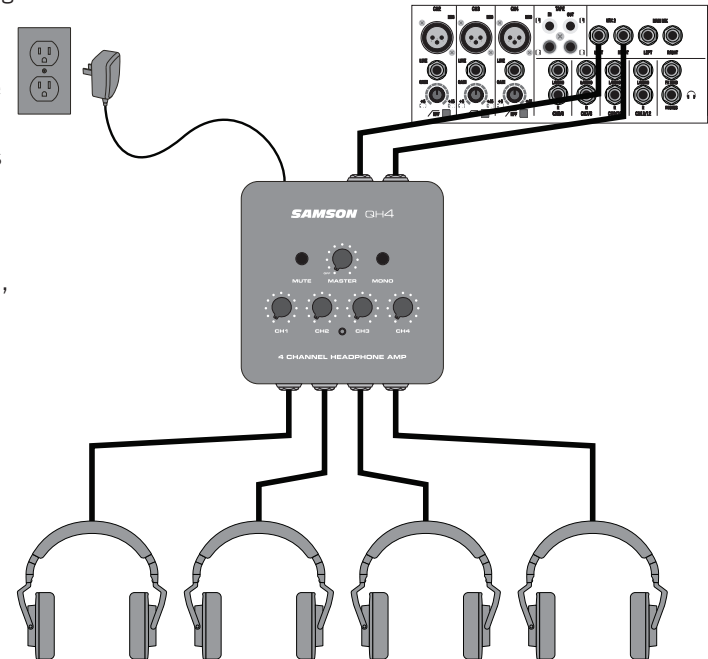
Wenn Sie Ihren QH4 mit angemessener Sorgfalt behandeln und korrekt warten, funktioniert es jahrelang problemlos. Wenn Ihr QH4 Service benötigt, muss eine Umtauschberechtigungsnummer (Return Authorization, RA) von Samson eingeholt werden, bevor Sie die Einheit versenden. Ohne diese Nummer wird das Gerät nicht akzeptiert. Bitte besuchen Sie **www.samsontech.com/ra** für eine RA-Nummer vor dem Versand Ihres Gerätes. Bitte bewahren Sie das Material der Originalverpackung auf und senden Sie das Gerät nach Möglichkeit im Originalkarton zurück. Wenn Sie Ihren QH4 außerhalb der USA erworben haben, wenden Sie sich bitte an einen Händler in Ihrer Nähe. Dort erhalten Sie alle für Garantie, Wartung und Reparaturen wichtigen Informationen.

Schnellstart

Gehen Sie bitte wie folgt vor, um Ihren QH4-Vierkanal-Kopfhörerverstärker einzurichten und zu verwenden:

HINWEIS: Bevor Sie einen Kopfhörer an den QH4 anschließen, vergewissern Sie sich, dass die Pegelregler der Signalquelle und des QH4-Verstärkers ganz nach unten und gegen den Uhrzeigersinn gedreht sind. Der QH4 kann laute Signalpegel im angeschlossenen Kopfhörer erzeugen. Wir empfehlen Ihnen, äußerste Vorsicht walten zu lassen und Ihre Ohren zu schonen. Beginnen Sie immer mit vollkommen zurückgedrehten Pegelreglern und erhöhen Sie das Signal langsam auf einen angenehmen Hörpegel.

1. Drehen Sie den MASTER-Lautstärkereger ganz nach unten, bis er ausgeschaltet ist (gegen den Uhrzeigersinn drehen, bis er einrastet), und drehen Sie alle vier Lautstärkereger der Kopfhörerkanäle auf ihre minimale Einstellung (vollständig gegen den Uhrzeigersinn).
2. Schließen Sie das mitgelieferte Netzteil an den QH4 an und stecken Sie es in eine Netzsteckdose, aber lassen Sie es vorerst ausgeschaltet.
3. Schließen Sie die Ausgänge des zu überwachenden Geräts an die linken und rechten Eingänge auf der Rückseite des QH4 an. Der QH4 akzeptiert sowohl symmetrische als auch unsymmetrische Signale. Es wird empfohlen, symmetrische 1/4-Zoll-TRS-Kabel zu verwenden, da dadurch das Eindringen von Fremdgeräuschen in den Signalweg minimiert wird.
4. Schließen Sie Kopfhörer an die 1/4-Zoll-Kopfhörerausgangsbuchsen an.
5. Speisen Sie ein Audiosignal in die Eingänge des QH4 ein.
6. Stellen Sie dann den MASTER-Lautstärkereger auf „12 Uhr“.
7. Drehen Sie den Pegelregler des Kanals langsam im Uhrzeigersinn, bis Sie den gewünschten Pegel erreichen.
8. Wiederholen Sie den vorherigen Schritt für alle Kanäle, an die Kopfhörer angeschlossen sind, und stellen Sie sicher, dass Sie den Kopfhörer-Lautstärkereger zunächst ganz nach links drehen und ihn dann langsam erhöhen, bis der gewünschte Pegel erreicht ist.



EN

FR

DE

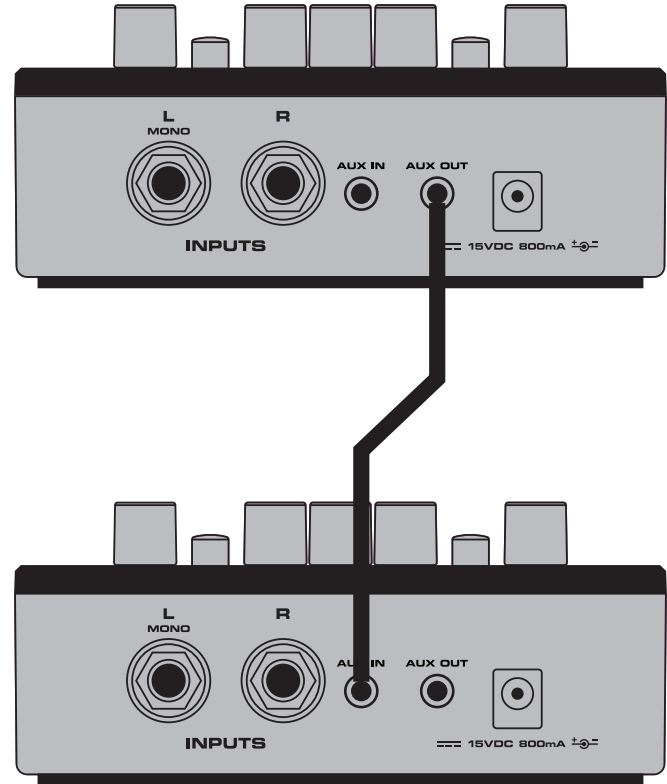
ES

IT

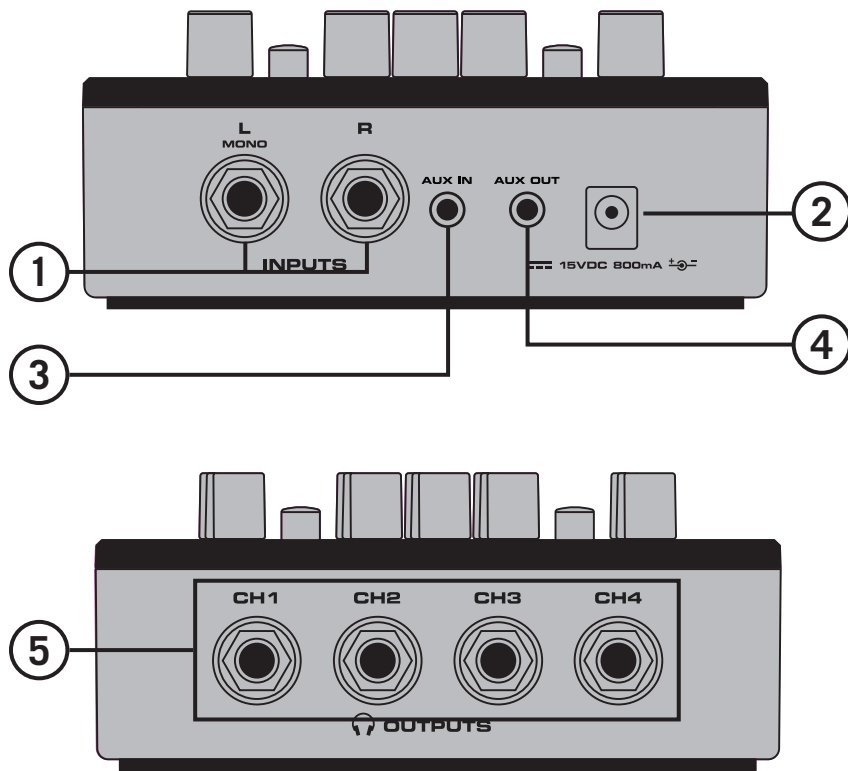
Schnellstart

9. Um den QH4 auf mehr als vier einzelne Kopfhörerausgänge zu erweitern, können Sie mehrere QH4-Verstärker miteinander verbinden, indem Sie ein 1/8"-Stereokabel in den Aux-Ausgang des ersten QH4-Verstärkers und den Aux-Eingang eines anderen QH4-Verstärkers stecken. Sie können diesen Schritt wiederholen, um so viele Kopfhörerverstärker wie nötig hinzuzufügen. Die Aux-Ausgangsbuchse befindet sich nach dem MASTER-Lautstärke-/Leistungsregler, dem Mute- und dem Mono-Schalter, sodass sich alle Einstellungen an diesen Reglern auf die Geräte weiter unten in der Kette auswirken.

Wenn Sie verschiedene Kopfhörermodelle an den QH4 angeschlossen haben, kann es vorkommen, dass einige mehr Verstärkung benötigen als andere, um die gleiche Lautstärke zu erreichen. Solche Unterschiede treten auf, wenn die Kopfhörer unterschiedliche Empfindlichkeiten oder unterschiedliche Impedanzen aufweisen. Je niedriger die Impedanz, desto lauter klingt der Kopfhörer im Vergleich zu einem anderen Kopfhörer mit höherer Impedanz bei gleicher Lautstärkeeinstellung. Die Empfindlichkeit wird gemessen, indem der Dezibel-Pegel (dB) bestimmt wird, der durch eine Eingangsleistung von 1 mW erzeugt wird. Je höher der dB-Wert, desto lauter ist der Kopfhörer.



Front- und Rückseitenaufzüge



1. **Line-EINGÄNGE** - Symmetrische 1/4"-(TRS)-Eingänge links und rechts. Diese Line-Pegel-Eingänge sind die Hauptsignaleingänge für den Kopfhörerverstärker. Wenn Sie nur die L/MONO-Buchse anschließen, wird das Signal sowohl nach links als auch nach rechts gesendet.
2. **DC-Eingang** - Schließen Sie hier das mitgelieferte Netzteil an.
3. **AUX IN** - Stereo-1/8"-Eingänge für den Anschluss eines zusätzlichen Line-Pegel-Eingangs, z. B. von einem Smartphone oder einem Computerausgang.
4. **AUX OUT** - Stereo-1/8"-Ausgänge, die mit den 1/4"- und AUX-Haupteingängen verbunden sind, um einen anderen Kopfhörerverstärker, Studiomonitore oder ein anderes Gerät, das Line-Pegel-Signale akzeptiert, anzuschließen.
5. **KOPFHÖRERAUSGÄNGE (CH1-CH4)** - Stereo-Kopfhörerausgänge zu 1/4". Hinweis: Schließen Sie keine Kopfhörer mit einer Mindestimpedanz von weniger als 16 Ω an.

EN

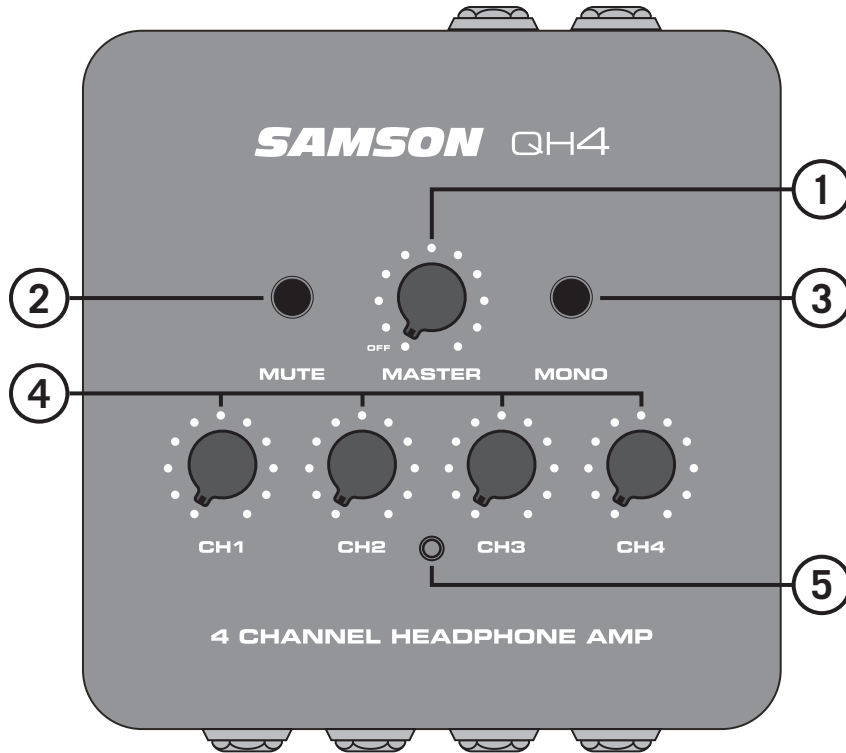
FR

DE

ES

IT

Befehle an der Oberseite



1. **MASTER/Power** - Dieser Drehknopf steuert den Pegel der einzelnen Kopfhörerausgangskanäle und schaltet den QH4 ein und aus. Drehen Sie den Regler im Uhrzeigersinn, um das System einzuschalten. Drehen Sie den Knopf gegen den Uhrzeigersinn, bis er einrastet, um das System auszuschalten.
2. **MUTE-Schalter** - dieser Schalter schaltet alle Kopfhörerausgänge stumm.
3. **MONO-Schalter** - Wenn er gedrückt wird, werden der linke und rechte Eingang zu einem einzigen Monosignal summiert.
4. **Kopfhörerlautstärke (CH1-CH4)** - Drehregler zur Einstellung des Pegels der Kopfhörerausgänge.
5. **Betriebsanzeige** - Diese weiße LED leuchtet, wenn das Gerät eingeschaltet ist, und zeigt, dass der QH4 betriebsbereit ist.

Spezifikationen

Eingangsanschlüsse	2 x 1/4" symmetrische TRS, 1/8" Stereo unsymmetrische TRS
Maximaler Eingangspegel	+21 dBu, 1 % THD
Eingangsimpedanz	20 k Ω
Frequenzgang	20 Hz bis 20 kHz \pm 0,5 dB
Grundrauschen	-114 dBu, 22k BW ungewichtet
Dynamikbereich	122 dB, 22k BW
Signal-Rauschabstand	96 dB re 1 mW bei 32 Ω Last
Aux-Ausgänge	1/8" Stereo unsymmetrisch TRS
Maximaler Ausgangspegel	+14 dBu, 1 % THD
Aux-Ausgangsimpedanz	100 Ω
Kopfhörerausgänge	4 x 1/4" stereo TRS
Maximale Ausgangsleistung	282 mW pro Kanal, 0,5 % THD an 32 Ω
Kopfhörer-Frequenzgang	20 Hz bis 20 kHz -1 dB bei 32 Ω
Bedienelemente	MASTER-Lautstärkereger, Master-MUTE-Schalter, Master-MONO-Schalter, 4 x Kanal-Lautstärkereger
Externer Adapter	15 VDC, 800 mA, Stift positiv
Gewicht	0,4kg (0,88lb)
Abmessungen (LxBxH)	4.88" x 4.88" x 1.57"/124 mm x 124 mm x 40 mm

Bei Samson verbessern wir unsere Produkte ständig, daher können sich Spezifikationen und Bilder ohne Vorankündigung ändern.

EN

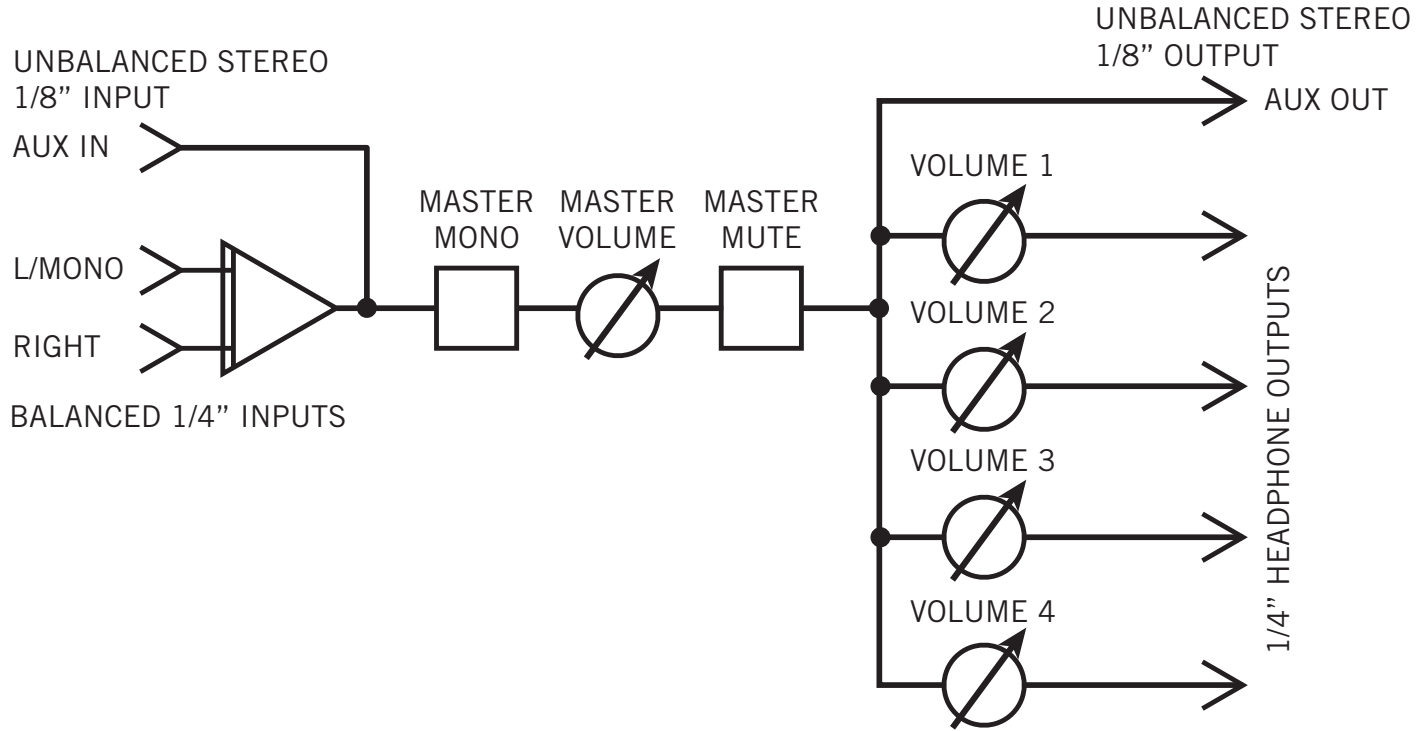
FR

DE

ES

IT

Blockdiagramm



Fehlerbehebung

Problem	Lösungen
Kein Strom (Stromanzeige leuchtet nicht).	Stellen Sie sicher, dass das mitgelieferte Netzteil an den QH4-Verstärker angeschlossen ist.
	Vergewissern Sie sich, dass das QH4-Netzteil an eine Netzsteckdose angeschlossen ist.
	Drehen Sie den MASTER Volume/Power-Regler im Uhrzeigersinn, bis er in der Position On einrastet.
Kein Ton	Vergewissern Sie sich, dass der QH4 eingeschaltet ist.
	Vergewissern Sie sich, dass das Audiokabel sowohl an den Ausgang der Audioquelle als auch an die Audioeingangsbuchsen des QH4 angeschlossen ist (entweder an die beiden 1/4"-Eingangsbuchsen oder an die 1/8"-AUX-Buchse auf der Rückseite des QH4).
	Vergewissern Sie sich, dass die Lautstärke der Audioquelle auf einen Pegel eingestellt ist, der ein Signal an den QH4 senden kann. Vergewissern Sie sich auch, dass die Regler MASTER Volume und Headphone Volume am QH4 aufgedreht sind.
	Überprüfen Sie Ihre Kopfhörer an einem anderen Audiogerät, um sicherzustellen, dass die Kopfhörer nicht defekt sind.
Verzerrter oder schlechter Ton	Vergewissern Sie sich, dass alle Audioanschlüsse fest angeschlossen sind.
	Verringern Sie die Ausgangslautstärke des Quell-Audiogeräts.
	Verringern Sie die Lautstärke der QH4-Kopfhörerkanäle.

Wenn diese Vorschläge Ihr Problem nicht lösen, wenden Sie sich an Ihren nächsten Samson-Händler oder Samson-Distributor.

Wenn Sie Fragen oder Anmerkungen zum QH4 oder anderen Produkten von Samson haben, kontaktieren Sie uns unter support@samsontech.com.

EN

FR

DE

ES

IT

Información importante sobre seguridad



AVIS
RISQUE DE CHOC ÉLECTRIQUE
- NE PAS OUVRIIR

ADVERTENCIA: PARA REDUCIR EL RIESGO DE DESCARGA ELÉCTRICA, NO RETIRE LA CUBIERTA (O PARTE TRASERA) YA QUE NO HAY EN SU INTERIOR PIEZAS QUE EL USUARIO PUEDA REPARAR. ENCARGUE CUALQUIER REPARACIÓN A PERSONAL DE SERVICIO CUALIFICADO.



Este símbolo de un relámpago con punta de flecha dentro de un triángulo equilátero está destinado a alertar al usuario de la presencia de «voltaje peligroso» no aislado dentro de la caja del producto, que puede ser de la suficiente magnitud como para constituir un riesgo de descarga eléctrica.



El signo de exclamación dentro de un triángulo equilátero está destinado a alertar al usuario de la presencia de instrucciones importantes de funcionamiento y mantenimiento en la documentación que se adjunta con el aparato.

Si desea desechar este producto, no lo mezcle con los residuos domésticos de tipo general. Existe un sistema de recogida por separado para los productos electrónicos, de conformidad con la legislación que requiere un tratamiento, recuperación y reciclaje adecuados. Los domicilios particulares de los 28 estados miembro de la UE, de Suiza y de Noruega pueden devolver sus productos electrónicos usados sin cargo alguno en instalaciones de recogida designadas o a un vendedor (en caso de que usted comprara uno nuevo similar). Para los países no mencionados arriba, por favor, póngase en contacto con sus autoridades locales para informarse sobre un método de eliminación correcto. Haciéndolo así, tendrá la seguridad de que su producto desechado se somete al tratamiento, recuperación y reciclaje necesarios y, de esta manera, evitará efectos potencialmente negativos en el entorno y la salud humana.



Aviso de la FCC

1. Este dispositivo cumple con el apartado 15 de las normas de la FCC. Su operación está sujeta a las dos condiciones siguientes:
 - (1) este dispositivo no debe ocasionar interferencia perjudicial, y
 - (2) este dispositivo debe aceptar cualquier interferencia recibida, incluyendo interferencias que puedan causar un funcionamiento no deseado.
2. Cualquier cambio o modificación no aprobada de forma expresa por la parte responsable del cumplimiento podría anular la autoridad del usuario para manejar el equipo.

¡Este producto es capaz de causar daños permanentes a su audición si se usa a volúmenes excesivos!

Para proteger su audición, el amplificador QH4 siempre debe usarse al volumen más bajo posible. Le recomendamos que siga estrictamente las pautas establecidas por la Administración de Salud y Seguridad Ocupacional de los EE. UU. (OSHA) con respecto al tiempo máximo de exposición a varios niveles de presión sonora:

- No use este producto durante más de 8 horas a 90 dB SPL.
- No use este producto durante más de 4 horas a 95 dB SPL.
- No use este producto durante más de 2 horas a 100 dB SPL.
- No use este producto durante más de 1 hora a 105 dB SPL.
- No use este producto durante más de 1/2 hora a 110 dB SPL.
- No use este producto durante más de 15 minutos a 115 dB SPL.
- ¡No use este producto a más de 120 dB SPL!

¡Preste atención a lo que le indican sus oídos! Si siente zumbidos en los oídos, esto es una señal de que ha establecido niveles de ganancia demasiado altos y que pueden producirse daños. Le recomendamos que consulte con un audiólogo calificado si presenta zumbidos o cualquier otro síntoma.

Información importante sobre seguridad

1. Lea estas instrucciones.
2. Guarde estas instrucciones.
3. Preste atención a todas las advertencias.
4. Siga todas las instrucciones.
5. No utilice este aparato cerca del agua.
6. Limpie únicamente con un paño seco.
7. No obstruya ninguna abertura de ventilación. Instale de conformidad con las instrucciones del fabricante.
8. No instale cerca de ninguna fuente de calor, como radiadores, rejillas de calefacción, estufas u otros aparatos (incluidos amplificadores) que produzcan calor.
9. No anule el propósito de seguridad del enchufe polarizado o de tipo de conexión a tierra. Un enchufe polarizado tiene dos patillas, siendo una más ancha que la otra. Un enchufe de tipo de conexión a tierra tiene dos patillas y una tercera clavija de conexión a tierra. La patilla ancha o la tercera clavija se proporcionan para su seguridad. Si el enchufe que se proporciona no encaja en su toma de corriente, consulte a un electricista para sustituir la toma obsoleta.
10. Evite pisar o pellizcar el cable de alimentación, en especial en los enchufes, los receptáculos y en el punto de donde salen del aparato.
11. Use únicamente conexiones o accesorios especificados por el fabricante.
12. Use únicamente con el carro, soporte, trípode, abrazadera o mesa que especifique el fabricante o que se haya vendido junto con el aparato. Cuando se utilice un carro, tenga precaución cuando mueva la combinación de carro/aparato para evitar daños producidos por posibles vuelques.
13. Desenchufe el aparato durante las tormentas eléctricas o cuando no vaya a utilizarse durante largos períodos de tiempo.
14. Encargue todas las reparaciones a personal cualificado. Las reparaciones son necesarias cuando el aparato ha resultado dañado en cualquier forma; por ejemplo, si el enchufe o el cable de alimentación están dañados, se han derramado líquidos o han caído objetos en el interior del aparato, si ha estado expuesto a lluvia o humedad, no funciona con normalidad, o se ha dejado caer.
15. No se debe exponer este aparato a gotas o salpicaduras de agua, ni depositar objetos que contengan líquido, como vasos, encima del aparato.
16. Precaución - Para evitar descargas eléctricas, inserte completamente la patilla ancha del enchufe en la toma de corriente.
17. Por favor, mantenga un entorno bien ventilado en los alrededores de la unidad al completo.
18. Para evitar lesiones, este aparato debe instalarse de manera segura en el soporte, de conformidad con las instrucciones de instalación.



Desconexión de la RED: El adaptador de conexión directa se utiliza como dispositivo de conexión; el dispositivo de conexión deberá ser fácilmente accesible.

Por la presente, Samson Technologies Corp., declara que este adaptador QH4 guarda conformidad con los requisitos esenciales y otras disposiciones relevantes de la Directiva 2014/30/UE. La declaración de conformidad puede consultarse en: http://www.samsontech.com/site_media/support/manuals/QH4_DOC.pdf



EN

FR

DE

ES

IT

Introducción

Gracias por adquirir el sistema de monitorización con auriculares Samson QH4 de 4 canales. El QH4 proporciona una solución elegante para la monitorización con auriculares, ya sea en el escenario o en el estudio. El complemento perfecto para su estudio de grabación doméstico, kit de podcasting o simplemente para relajarse escuchando música, el modelo QH4 ofrece un audio potente de gran fidelidad y nitidez. El QH4 es un amplificador de distribución de auriculares especialmente diseñado que le permite controlar el balance de nivel entre cuatro juegos de auriculares individuales. Al proporcionar más de 280 mW de potencia a cada canal de auriculares, el QH4 es compatible con prácticamente todos los modelos de auriculares más populares. Y su diseño compacto y elegante se adapta a cualquier aplicación de escritorio o móvil.

En la caja encontrará una tarjeta de garantía adjunta; no olvide seguir las instrucciones para recibir asistencia técnica en línea, y para que podamos enviarle información actualizada sobre este y otros productos Samson en el futuro. Si tiene alguna pregunta o comentario sobre el H4 o cualquier otro producto de Samson, no dude en contactarnos en **support@samsontech.com**.

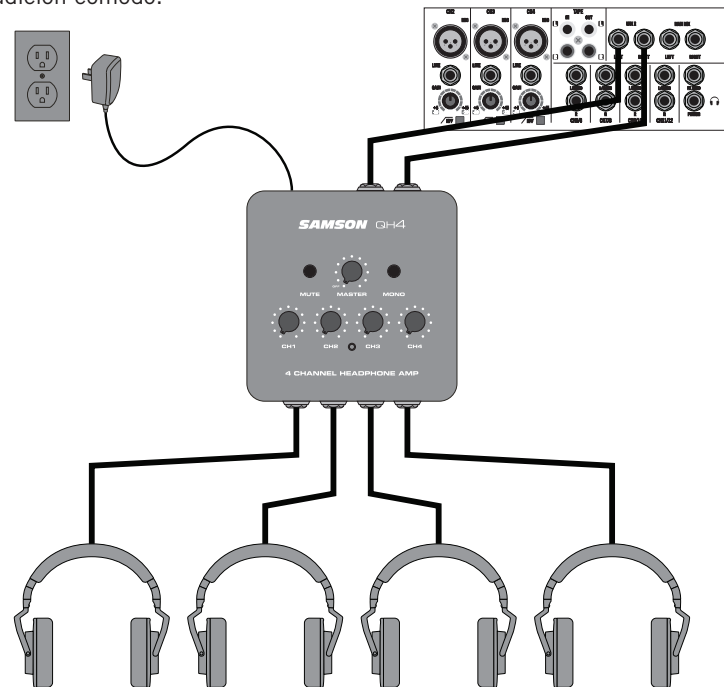
Con un cuidado y mantenimiento adecuados, su QH4 funcionará sin problemas durante muchos años. Si su QH4 requiere algún servicio, un número de Autorización de Retorno (RA) debe ser obtenido antes de enviar su unidad a Samson. Sin este número, su unidad no será aceptada. Por favor, visite **www.samsontech.com/ra** para obtener un número de RA antes de expedir su unidad. Conserve los materiales del embalaje original y, si es posible, devuelva la unidad en su caja de cartón original. Si su QH4 fue comprado fuera de los Estados Unidos, póngase en contacto con su distribuidor local para obtener los detalles de la garantía y la información de servicio.

Inicio rápido

Siga este procedimiento básico para configurar y usar su amplificador QH4 de 4 canales para auriculares.

NOTA: Antes de conectar cualquier auricular al amplificador QH4, asegúrese de verificar que la fuente de señal y los controles de nivel del amplificador QH4 estén completamente hacia abajo, totalmente en sentido antihorario. El QH4 puede generar niveles altos de señal en los auriculares conectados. Le recomendamos que tenga mucho cuidado y que cuide sus oídos. Comience siempre con los controles de nivel completamente apagados y aumente lentamente la señal hasta un nivel de audición cómodo.

1. Gire la perilla de volumen MASTER completamente hacia abajo hasta que esté en la posición de apagado (gírela en sentido antihorario hasta que haga clic) y gire las cuatro perillas de volumen de los canales de auriculares hasta su ajuste mínimo (totalmente en sentido antihorario).
2. Conecte la fuente de alimentación incluida al QH4 y enchúfelo a un enchufe de pared de CA, pero déjelo apagado por el momento.
3. Conecte las salidas del dispositivo que desea monitorear a las ENTRADAS izquierda y derecha en el panel trasero del QH4. El QH4 acepta señales balanceadas y no balanceadas. Se recomienda usar cables TRS balanceados de 1/4 in (6,35 mm) porque minimizan el ruido extraño que ingresa a la ruta de la señal.
4. Conecte los auriculares a las tomas de salida de auriculares de 1/4 in (6,35 mm).
5. Reproduzca una señal de audio en las entradas del amplificador QH4.
6. Luego, suba el volumen MAESTRO hasta la mitad (hasta la posición de las doce en punto).
7. Gire lentamente la perilla de nivel del canal en el sentido de las agujas del reloj hasta que escuche el nivel deseado.



EN

FR

DE

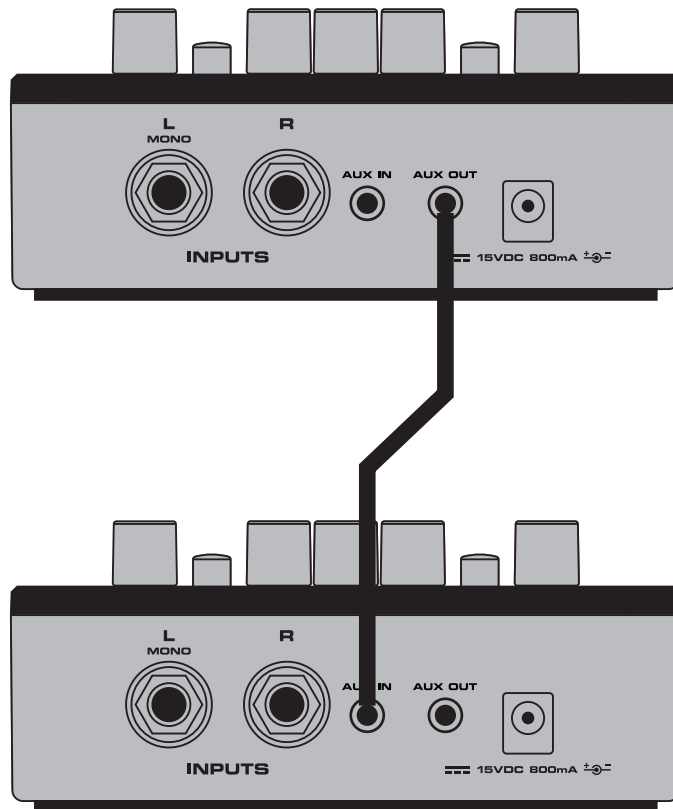
ES

IT

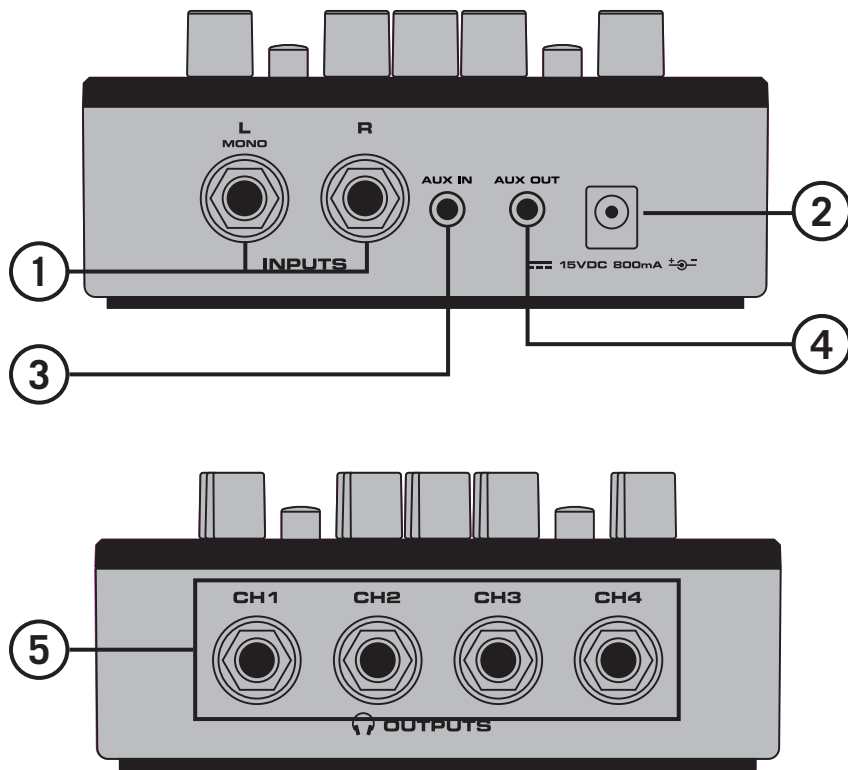
Inicio rápido

- Repita el paso anterior para todos los canales que tengan auriculares conectados, asegurándose de comenzar con la perilla de volumen de los auriculares completamente en sentido antihorario y luego subiéndola lentamente hasta alcanzar el nivel deseado.
- Para expandir el QH4 para permitir más de cuatro salidas de auriculares individuales, puede conectar varios amplificadores QH4 juntos conectando un cable estéreo de 1/8 in (3,175 mm) en la salida auxiliar del primer amplificador QH4 y la entrada auxiliar de otro amplificador QH4. Puede repetir este paso para agregar tantos amplificadores de auriculares como sea necesario. El conector de salida auxiliar está después del control MASTER de volumen/potencia, de los interruptores Mute (Silenciar) y Mono, por lo que todos los ajustes a estos controles afectarán a las unidades que se encuentren más abajo en la cadena.

Si ha conectado diferentes modelos de auriculares al QH4, es posible que algunos requieran más ganancia que otros para lograr el mismo volumen. Este tipo de disparidad ocurre si los auriculares tienen diferentes sensibilidades o diferentes impedancias. Cuanto menor sea la impedancia, más fuerte sonarán los auriculares en comparación con otros auriculares de mayor impedancia con la misma configuración de volumen. La sensibilidad se mide determinando el nivel de decibelios (dB) generado por 1 mW de entrada de energía. Cuanto mayor sea la clasificación de dB, más ruidosos son los auriculares.



Llamadas del panel frontal y posterior



- 1. ENTRADAS de línea** - Entradas de 1/4 in (6,35 mm) (TRS) izquierda y derecha balanceadas. Estas entradas de nivel de línea son las principales entradas de señal al amplificador de auriculares. Si la conexión se realiza solamente con el conector L/MONO (izq./mono), se envía la señal tanto a la izquierda como a la derecha.
- 2. Entrada de alimentación de CC** - Conecte aquí el adaptador de alimentación suministrado.
- 3. AUX IN** - Entradas estéreo de 1/8 in (3,175 mm) para conectar una entrada de nivel de línea auxiliar, como la de un teléfono inteligente o una salida de computadora.
- 4. AUX OUT** - salidas estéreo de 1/8 in (3,175 mm) que están conectadas a las entradas principales de 1/4 in (6,35 mm) y AUX para conectarse a otro amplificador de auriculares, a monitores de estudio o a otro dispositivo que acepte señales de nivel de línea.
- 5. SALIDAS para auriculares (CH1-CH4)** - Salidas estéreo de 1/4 in (6,35 mm) para auriculares. Nota: No conecte auriculares con una impedancia inferior a 16 Ω .

EN

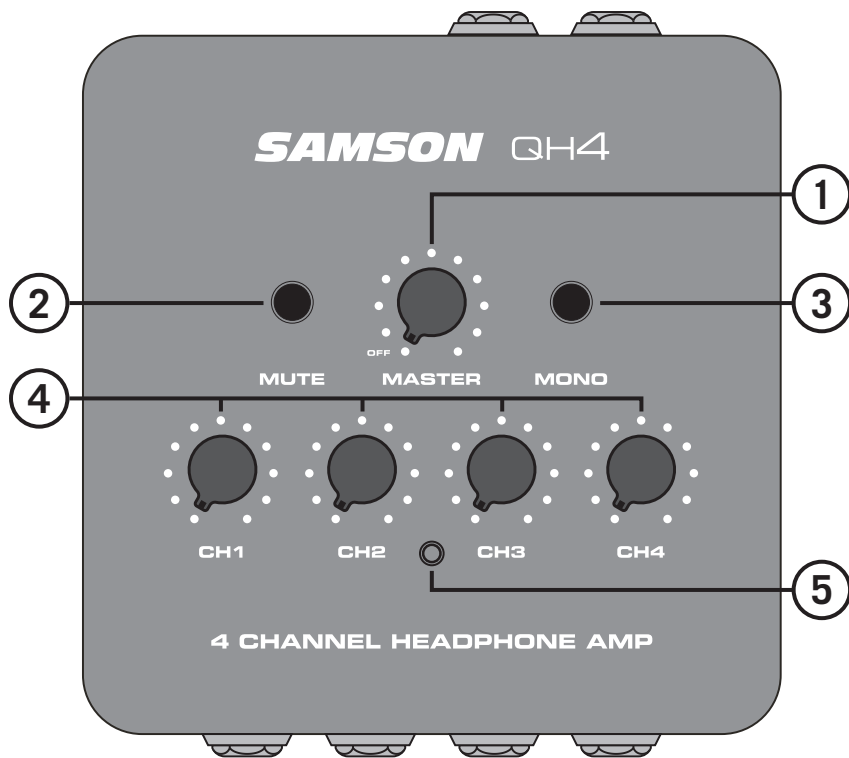
FR

DE

ES

IT

Indicadores del panel superior



1. **MASTER (control maestro de volumen/potencia)** - Este mando giratorio controla el nivel de la salida del receptor y enciende y apaga el amplificador QH4. Gire la perilla hacia la derecha para encender el sistema. Gire la perilla hacia la izquierda hasta que emita un clic para apagar el sistema.
2. **Interruptor MUTE (silenciar)** - Este interruptor silencia todas las salidas de auriculares.
3. **Interruptor MONO** - Cuando se pulsa este interruptor, las entradas izquierda y derecha se suman en una sola señal mono.
4. **Volumen de auriculares (CH1 – CH4 [can. 1 a 4])** - Perillas de control utilizadas para ajustar el nivel de las salidas de auriculares.
5. **Indicador de encendido** - Este LED blanco se iluminará cuando el dispositivo esté encendido, lo que indica que el amplificador QH4 está listo para funcionar.

Especificaciones

Conectores de entrada (3,175mm)	2 TRS balanceados de 1/4 in (6,35 mm), TRS estéreo no balanceado de 1/8 in
Nivel de entrada máximo	+21 dBu, THD 1 %
Impedancia de entrada	20k Ω
Respuesta de frecuencia	De 20 Hz a 20kHz \pm 0,5 dB
Piso de ruido	-114 dBu, 22k BW no ponderado
Rango dinámico	122 dB, 22k BW
Relación señal/ruido	96dB, en referencia a 1 mW a 32 Ω de carga
Salidas auxiliares	TRS estéreo no balanceados de 1/8 in (3,175mm)
Nivel máximo de salida auxiliar	+14dBu, THD 1 %
Impedancia de salida auxiliar	100 Ω
Salidas de auriculares	4 TRS estéreo de 1/4 in (6,35 mm)
Potencia de salida máxima	282 mW por canal, 0,5 % THD a 32 Ω
Respuesta de frecuencia de los auriculares	De 20 Hz a 20 kHz -1 dB a 32 Ω
Controles	Perilla de volumen MASTER, interruptor maestro MUTE, interruptor maestro MONO, 4 perillas de volumen de canal
Adaptador externo	15 V de CC, de 800 mA, pin positivo
Peso	0,88 lb/0,4 kg
Dimensiones (L x An x Al)	4,88 x 4,88 x 1,57 in (124 x 124 x 40 mm)

En Samson estamos continuamente mejorando nuestros productos; por lo tanto, las especificaciones e imágenes están sujetas a cambios sin previo aviso.

EN

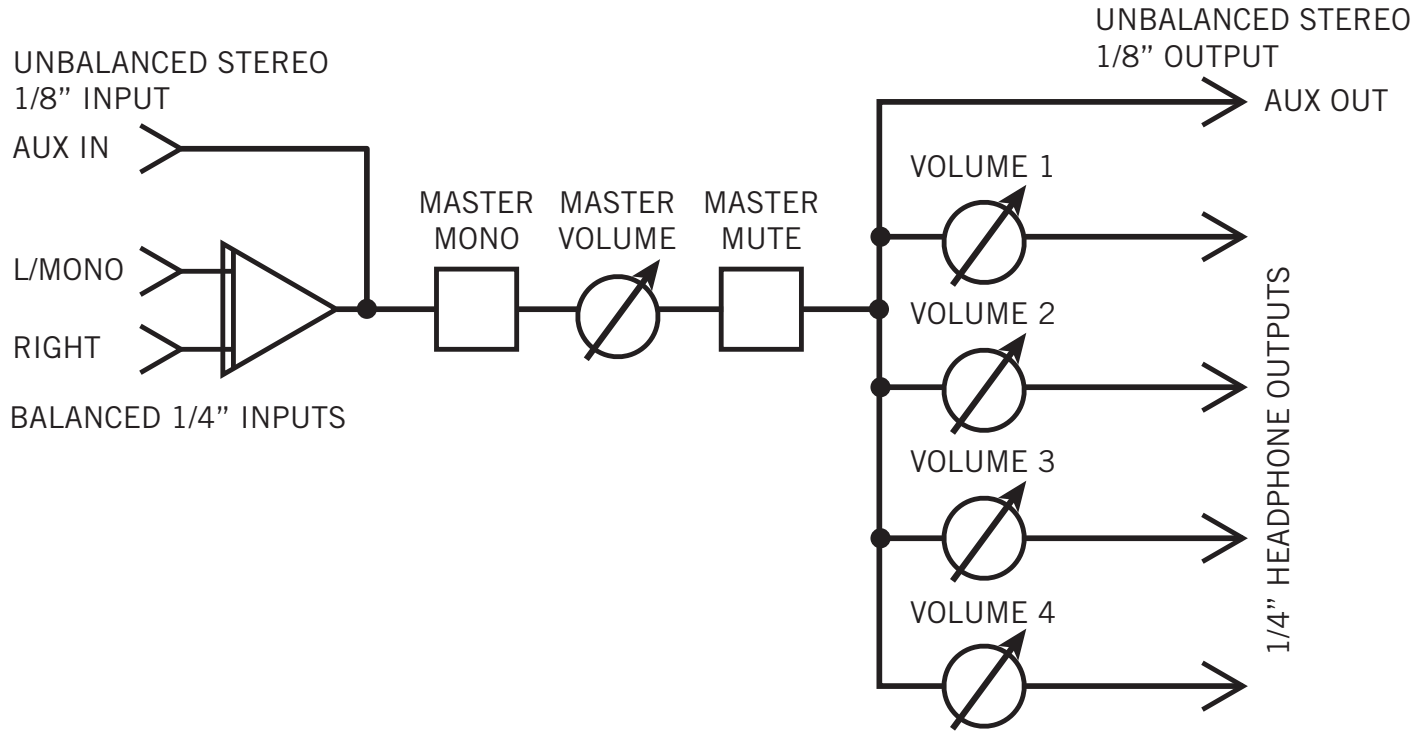
FR

DE

ES

IT

Diagrama de bloques



Solución de problemas

Problema	Solución
No hay energía (el indicador de energía no está iluminado)	Asegúrese de que la fuente de alimentación incluida esté conectada al amplificador QH4.
	Asegúrese de que la fuente de alimentación del amplificador QH4 esté conectada a una toma de CA.
	Gire la perilla MASTER de volumen/potencia en el sentido de las agujas del reloj hasta que se active la posición de encendido con un clic.
No hay audio	Asegúrese de que el amplificador QH4 esté encendido.
	Asegúrese de que el cable de audio esté conectado tanto a la salida de la fuente de audio como a las tomas de entrada de audio del amplificador QH4 (ya sea las dos tomas INPUT (entrada) de 1/4 in o la toma AUX de 1/8 in ubicada en la parte posterior del QH4).
	Compruebe que el nivel de volumen de la fuente de audio esté ajustada a un nivel que pueda enviar correctamente una señal al amplificador QH4. También asegúrese de que las perillas de volumen MASTER de volumen de los auriculares del QH4 estén subidas.
Audio distorsionado o deficiente	Pruebe los auriculares en otro dispositivo de audio para asegurarse de que los auriculares no tengan ninguna falla.
	Asegúrese de que todas las conexiones de audio estén bien conectadas.
	Reduzca el volumen de salida del dispositivo de audio fuente.
	Reduzca el volumen de los canales para auriculares del QH4.

Si estas sugerencias no resuelven su problema, comuníquese con su representante o distribuidor de Samson más cercano.

Si tiene alguna pregunta o comentario sobre el H4 o cualquier otro producto de Samson, no dude en contactarnos en support@samsontech.com.

EN

FR

DE

ES

IT

Importanti informazioni sulla sicurezza



AVVERTENZA RISCHIO DI SCOSSA ELETTRICA – NON APRIRE

AVVERTENZA: PER RIDURRE IL RISCHIO DI SCOSSA ELETTRICA, NON RIMUOVERE LA COPERTURA (O IL RETRO) PERCHÉ ALL'INTERNO NON SONO PRESENTI PARTI RIPARABILI DALL'UTENTE. AFFIDARE QUALSIASI RIPARAZIONE A PERSONALE QUALIFICATO.



Il simbolo del fulmine con punta a forma di freccia all'interno di un triangolo equilatero indica la presenza di tensione pericolosa non isolata all'interno del prodotto di potenza tale da costituire rischio di folgorazione.



Il punto esclamativo all'interno di un triangolo equilatero indica la presenza di istruzioni importanti sul funzionamento o la manutenzione dell'apparecchio nella documentazione fornita insieme al prodotto.



Il prodotto non va smaltito con i rifiuti domestici generici. Esiste un sistema di raccolta differenziata per i prodotti elettronici usati in conformità alla legislazione che richiede un trattamento, un recupero e un riciclaggio adeguati. I nuclei familiari dei 28 Stati membri dell'UE, della Svizzera e della Norvegia possono restituire gratuitamente i loro prodotti elettronici usati a centri di raccolta

designati o a un rivenditore (in caso di acquisto di uno nuovo simile). Per i Paesi non menzionati sopra, contattare le autorità locali per sapere quale sia il corretto metodo di smaltimento. In questo modo, si garantisce che il prodotto smaltito venga sottoposto al necessario trattamento, recupero e riciclaggio, evitando così potenziali effetti negativi sull'ambiente e sulla salute umana.

Nota FCC

1. Questo dispositivo è conforme con la Parte 15 delle norme FCC. Il funzionamento è soggetto alle due condizioni seguenti:
 - (1) Questo dispositivo non può causare interferenze dannose.
 - (2) Questo dispositivo deve accettare qualsiasi interferenza ricevuta, incluse interferenze che possano causare un funzionamento indesiderato.
2. Cambiamenti o modifiche non esplicitamente approvati dalla parte responsabile della conformità possono invalidare il diritto dell'utente a utilizzare l'apparecchio.

Questo prodotto può causare danni permanenti all'udito se usato a volumi eccessivi!

Per proteggere l'udito, il QH4 deve essere sempre usato a un volume più basso possibile. Raccomandiamo di seguire rigorosamente le linee guida stabilite dalla Occupational Safety Health Administration (OSHA) degli Stati Uniti riguardo al tempo massimo di esposizione a vari livelli di pressione sonora:

- Non usare questo prodotto per più di 8 ore a 90 dB SPL
- Non usare questo prodotto per più di 4 ore a 95 dB SPL
- Non usare questo prodotto per più di 2 ore a 100 dB SPL
- Non usare questo prodotto per più di 1 ora a 105 dB SPL
- Non usare questo prodotto per più di 1/2 ora a 110 dB SPL
- Non usare questo prodotto per più di 15 minuti a 115 dB SPL
- Non utilizzare a livelli di ascolto superiori a 120 dB SPL!

Prestare attenzione a cosa dicono le proprie orecchie! Il ronzio è un segno che si sono impostati i livelli di guadagno troppo alti e che si possono verificare dei danni. Consigliamo di consultare un audiologo qualificato in caso di ronzii o altri sintomi!

Importanti informazioni sulla sicurezza

1. Leggere queste istruzioni.
2. Conservare queste istruzioni.
3. Rispettare tutti gli avvertimenti.
4. Seguire tutte le istruzioni.
5. Non utilizzare l'apparecchio vicino all'acqua.
6. Pulire solo con un panno asciutto.
7. Non bloccare le aperture di ventilazione. Installare secondo le istruzioni del produttore.
8. Non installare vicino a fonti di calore come radiatori, diffusori di aria calda, stufe o altri apparecchi (compresi amplificatori) che producono calore.
9. Non annullare lo scopo di sicurezza della spina polarizzata o con messa a terra. Una spina polarizzata ha due lame, una delle quali è più larga dell'altra. Una spina con messa a terra ha due lame e un terzo polo di messa a terra. La lama larga o il terzo polo sono forniti per la sicurezza dell'utente. Se la spina in dotazione non si adatta alla presa, consultare un elettricista per sostituire la presa obsoleta.
10. Proteggere il cavo di alimentazione in modo che non sia calpestato o schiacciato, in particolare in corrispondenza delle spine, delle prese e nel punto di uscita dall'apparecchio.
11. Utilizzare solo accessori specificati dal produttore.
12. Utilizzare solo con il carrello, il supporto, il treppiede, la staffa o il tavolo specificati dal produttore, o venduti con l'apparecchio. Quando si utilizza un carrello, prestare attenzione quando si sposta la combinazione carrello/apparecchio per evitare lesioni da ribaltamento.
13. Scollegare l'apparecchio dalla presa di corrente durante i temporali o in previsione di un lungo periodo di inutilizzo.
14. Per tutti gli interventi di manutenzione, rivolgersi a personale qualificato. L'assistenza è necessaria quando l'apparecchio è stato danneggiato in qualsiasi modo, ad esempio se il cavo di alimentazione o la spina sono stati danneggiati, se è stato versato del liquido o sono caduti oggetti all'interno dell'apparecchio, se è stato esposto a pioggia o umidità, se non funziona normalmente o se è caduto.
15. L'apparecchio non deve essere esposto a gocce o schizzi d'acqua né bisogna appoggiarvi sopra oggetti pieni di liquido, come vasi.
16. Attenzione: onde prevenire le scosse elettriche, abbinare la spina a lama larga con lo slot largo completamente inserito.
17. Mantenere un buon ambiente di ventilazione intorno all'intera unità.
18. Per evitare lesioni, l'apparecchio deve essere fissato in maniera sicura al supporto in conformità con quanto indicato nelle istruzioni per l'installazione.

Scollegamento dall'alimentazione di rete: L'adattatore a innesto diretto viene utilizzato come dispositivo di disinserimento, il quale deve rimanere facilmente utilizzabile.

Con la presente, Samson Technologies Corp. dichiara che questo QH4 è conforme ai requisiti essenziali e altre disposizioni rilevanti della direttiva UE 2014/30. La dichiarazione di conformità può essere consultata all'indirizzo: http://www.samsontech.com/site_media/support/manuals/QH4_DOC.pdf



EN

FR

DE

ES

IT

Introduzione

Grazie per aver acquistato il sistema di monitoraggio delle cuffie a 4 canali Samson QH4. Il QH4 fornisce una soluzione elegante per il monitoraggio delle cuffie, sia sul palco che in studio. L'aggiunta perfetta per lo studio di registrazione casalingo, la configurazione di podcasting o semplicemente calci indietro ascoltando la musica, il QH4 offre super pulito, forte, fedeltà audio. Il QH4 è un amplificatore di distribuzione per cuffie appositamente progettato che consente di controllare il bilanciamento del livello tra quattro set individuali di cuffie. Fornendo oltre 280mW di potenza per ogni canale della cuffia, il QH4 è compatibile con praticamente tutti i modelli di cuffie popolari. E il suo design compatto ed elegante, si adatta a qualsiasi applicazione desktop o mobile.

Nella confezione si troverà una scheda di registrazione allegata: non dimenticare di seguire le istruzioni per poter ricevere assistenza tecnica online e per in odo che possiamo inviare informazioni aggiornate su questo e altri prodotti Samson in futuro. In caso di domande o commenti sul QH4 o su qualsiasi altro prodotto Samson, contattarci all'indirizzo **support@samsontech.com**.

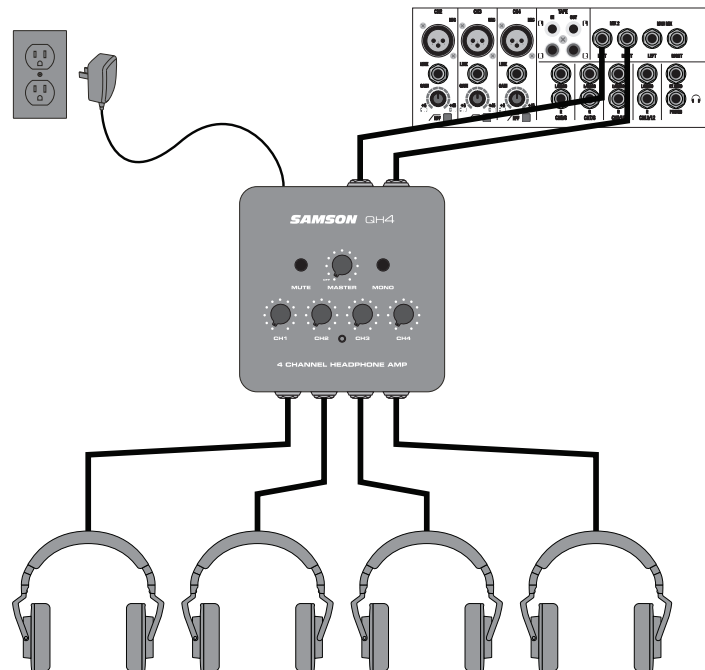
Seguendo le istruzioni per la cura e la manutenzione, la QH4 funzionerà senza problemi per diversi anni. Per eventuali interventi di assistenza sul QH4, occorre un numero di autorizzazione al reso (RA) prima di inviare il prodotto a Samson. Senza questo numero, l'unità non sarà accettata. Visitare il sito **www.samsontech.com/ra** per avere un numero RA prima della spedizione dell'unità. Conservare i materiali di imballaggio originali e, se possibile, restituire l'unità nella confezione originale. Se l'QH4 è stato acquistato al di fuori degli Stati Uniti, contattare il proprio distributore locale per i dettagli in merito alla garanzia e informazioni in materia di assistenza.

Avvio rapido

Seguire la procedura di base descritta di seguito per configurare e usare l'amplificatore per cuffie a 4 canali QH4.

NOTA: Prima di collegare qualsiasi cuffia al QH4, assicurarsi di controllare due volte che la sorgente del segnale e i controlli di livello dell'amplificatore QH4 siano girati completamente in senso antiorario. Il QH4 è in grado di generare forti livelli di segnale nella cuffia collegata. Raccomandiamo la massima cautela e cura per le orecchie. Cominciare sempre con i controlli di livello completamente spenti e aumentare lentamente il segnale fino a un livello di ascolto confortevole.

1. Girare la manopola MASTER Volume fino in fondo finché non è in posizione off (girare in senso antiorario finché non scatta), e girare tutte e quattro le manopole del volume dei canali delle cuffie al loro minimo (completamente in senso antiorario).
2. Collegare l'alimentatore incluso al QH4 e inserirlo in una presa a muro CA, ma lasciarlo spento per il momento.
3. Collegare le uscite dal dispositivo che si desidera monitorare agli ingressi sinistro e destro sul pannello posteriore del QH4. Il QH4 accetta sia segnali bilanciati che non bilanciati. Si consiglia di usare cavi bilanciati TRS da 1/4" perché minimizza il rumore estraneo che entra nel percorso del segnale.
4. Collegare le cuffie ai jack di uscita per cuffie da 1/4".
5. Riprodurre un segnale audio negli ingressi del QH4.
6. Alzare il volume MASTER fino a metà (alla posizione delle ore 12).
7. Ruotare lentamente la manopola del livello del canale in senso orario finché non si sente il livello desiderato.
8. Ripetere il passo precedente per tutti i canali che hanno le cuffie collegate, assicurandosi di iniziare con la manopola del volume delle cuffie completamente in senso antiorario e poi alzarla lentamente fino a raggiungere il livello desiderato.



EN

FR

DE

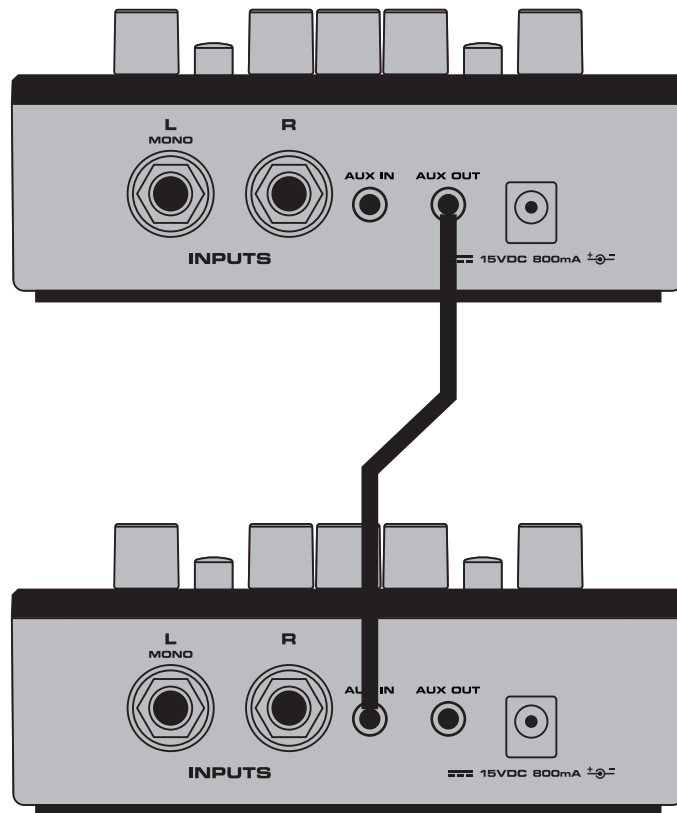
ES

IT

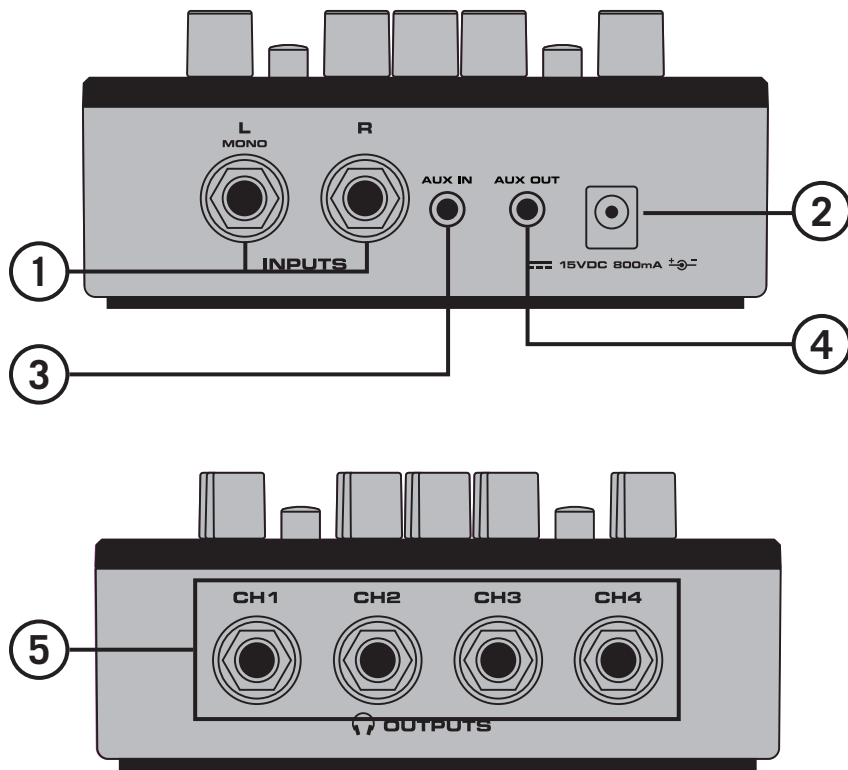
Avvio rapido

9. Per espandere il QH4 per consentire più di quattro uscite cuffie individuali, è possibile collegare più amplificatori QH4 insieme collegando un cavo stereo da 1/8" all'uscita Aux del primo amplificatore QH4 e all'ingresso Aux di un altro amplificatore QH4. È possibile ripetere questo passaggio per aggiungere tanti amplificatori per cuffie quanti sono necessari. Il jack dell'uscita Aux si trova dopo il controllo MASTER Volume/Power, gli interruttori Mute e Mono, quindi tutte le regolazioni di questi controlli avranno effetto sulle unità più in basso nella catena.

Se sono stati collegati diversi modelli di cuffie al QH4, si può scoprire che alcuni richiedono più guadagno di altri per ottenere lo stesso volume. Questo tipo di disparità si verifica quando le cuffie hanno sensibilità diverse o impedenze diverse. Più bassa è l'impedenza, più forte suonerà la cuffia rispetto a un'altra cuffia con un'impedenza più alta allo stesso volume. La sensibilità si misura determinando il livello di decibel (dB) generato da 1 mW di potenza in ingresso. Più alta è la valutazione in dB, più forte è la cuffia



Callout del pannello anteriore e posteriore



1. **INGRESSI di linea** - Ingressi sinistro e destro da 1/4" bilanciati (TRS). Questi ingressi a livello di linea sono i principali ingressi di segnale per l'amplificatore per cuffie. Collegando solo la presa L/MONO il segnale viene inviato sia a destra che a sinistra.
2. **Ingresso alimentazione CC** - Collegare qui l'alimentatore in dotazione.
3. **AUX IN** - Ingressi stereo da 1/8" per collegare un ingresso ausiliario a livello di linea, come quello di uno smartphone o l'uscita di un computer.
4. **AUX OUT** - Uscite stereo da 1/8" che sono legate agli ingressi principali da 1/4" e AUX per il collegamento a un altro amplificatore per cuffie, monitor da studio o altri dispositivi che accettano segnali a livello di linea.
5. **USCITE cuffie (CH1-CH4)** - Uscite cuffie da 1/4" stereo. Nota: non collegare cuffie con un'impedenza minima inferiore a 16Ω.

EN

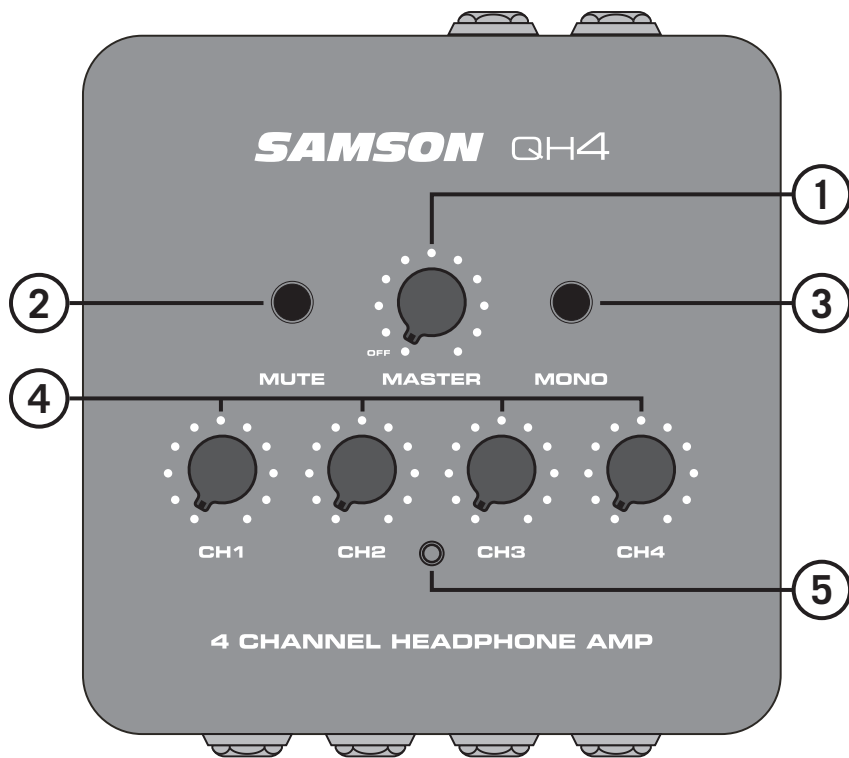
FR

DE

ES

IT

Callout del pannello superiore



1. **Volume/Alimentazione MASTER** - Questa manopola girevole controlla il livello inviato ai singoli canali di uscita delle cuffie e accende e spegne l'QH4. Ruotare il controllo in senso orario per accendere il sistema. Ruotare la manopola in senso antiorario finché non scatta per spegnere il sistema.
2. **Interruttore MUTE** - Questo interruttore silenzia tutte le uscite delle cuffie.
3. **Interruttore MONO** - Quando viene premuto, gli ingressi sinistro e destro saranno sommati insieme in un unico segnale mono.
4. **Volume cuffie (CH1-CH4)** - Manopole di controllo utilizzate per regolare il livello delle uscite per le cuffie.
5. **Spia di alimentazione** - Questo LED bianco si illumina quando l'alimentazione è attiva, indicando che il QH4 è pronto per il funzionamento.

Specifiche

Connettori d'ingresso	2 x 1/4" TRS bilanciato, 1/8" stereo sbilanciato TRS
Livello di ingresso max	+21dBu, 1% THD
Impedenza di ingresso	20k Ω
Risposta di frequenza	da 20Hz a 20kHz \pm 0,5dB
Rumore di fondo	-114dBu, 22k BW non ponderato
Gamma dinamica	122dB, 22k BW
Rapporto segnale-rumore	96dB, re 1mW a 32 Ω di carico
Uscite Aux	1/8" stereo non bilanciate TRS
Livello uscita Aux max	+14dBu, 1% THD
Impedenza uscita Aux	100 Ω
Uscite cuffie	4 x 1/4" stereo TRS
Potenza di uscita max	282mW per canale, 0,5% THD a 32 Ω
Risposta di frequenza cuffie	da 20Hz a 20kHz -1dB a 32 Ω
Controlli Manopola del volume	MASTER, interruttore Master MUTE, interruttore Master MONO, 4 manopole del volume dei canali
Adattatore esterno	15VCC, 800 mA, pin positivo
Peso	0,4 kg/0,88 libbre
Dimensioni (LxLxA)	4,88" x 4,88" x 1,57"/124 mm x 124 mm x 40 mm

Samson migliora continuamente i propri prodotti, pertanto le specifiche e le immagini sono soggette a modifiche senza preavviso.

EN

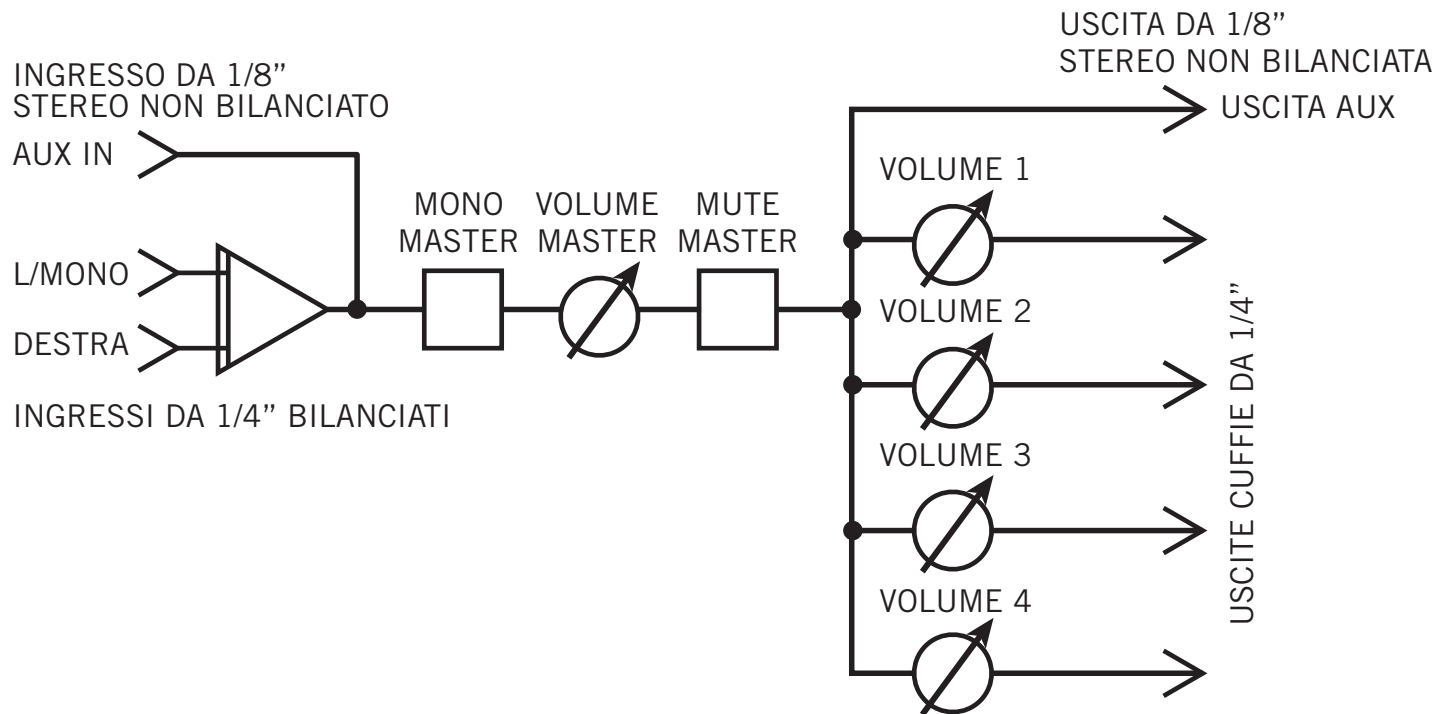
FR

DE

ES

IT

Diagramma a blocchi



Risoluzione dei problemi

Problema	Soluzione
Nessuna alimentazione (l'indicatore di alimentazione non è acceso)	Assicurarsi che l'alimentatore in dotazione sia collegato all'amplificatore QH4.
	Assicurarsi che l'alimentatore QH4 sia collegato a una presa di corrente.
	Ruotare la manopola MASTER Volume/Power in senso orario finché non scatta in posizione On.
Nessun audio	Assicurarsi che il QH4 sia acceso.
	Assicurarsi che il cavo audio sia collegato sia all'uscita della sorgente audio che ai jack di ingresso audio del QH4 (i due jack INPUT da 1/4" o il jack AUX da 1/8" situato sul retro del QH4)
	Verificare che il livello del volume della sorgente audio sia impostato su un livello che possa inviare correttamente un segnale al QH4. Verificare inoltre che le manopole Volume MASTER e Volume cuffie sul QH4 siano alzate.
	Verificare le cuffie su un altro dispositivo audio per assicurarsi che le cuffie non siano difettose.
Audio distorto o scadente	Assicurarsi che tutte le connessioni audio siano fissate saldamente.
	Ridurre il volume di uscita del dispositivo audio sorgente.
	Ridurre il volume dei canali delle cuffie QH4.

Se questi suggerimenti non risolvono il problema, contattare il rivenditore Samson o il distributore Samson più vicino.
In caso di domande o commenti sul QH4 o su qualsiasi altro prodotto Samson, contattarci all'indirizzo support@samsontech.com.

EN

FR

DE

ES

IT

Samson Technologies Corp.
278-B Duffy Ave
Hicksville, NY 11801
www.samsontech.com
V2 ©2022