



JCB ETEC





JCB 525-60E kurottaja





525-60E



5 = 500 sarja (Kurottaja), 25 = 2,5 tonnia, maksimi nosto kapasiteetti, 60 = 6,0 Metriä, maksimi nosto korkeus.

Project Attributes

1 JCB DESIGN – First Impression

- New distinctive branding Same size and design as diesel model – familiar and understood
- Maintains the diesel design that boasts class-leading visibility

9 QUALITY & RELIABILITY – Fault Free

- Electrical system uses high volume parts from a supplier with pedigree in electrical vehicles
- Machine produced to JCB quality standards
- Fully supported by Service

8 COST OF OWNERSHIP – Lowest Cost Per Hr

- Revenue opportunities for rental owners
- Savings of £1000 per annum fuel costs
- JCB group charger

7 SECURITY & SAFETY – Peace of Mind

- Key and keypad immobiliser to reduce risk of theft
- LiveLink for geo-fencing and protecting against unauthorised machine usage
- Battery packs mounted within machine to reduce theft
- Significantly reduced noise levels improve operator communication and awareness of surroundings

500 Hrs

6 SERVICEABILITY – Easy Access

- Reduced daily checks and service content
- Service Master – full diagnostics
- Live Link to monitor usage and plan servicing ahead of schedule

2 COMFORT – Command Driving Position

- In-cab noise and vibration levels significantly reduced
- External noise levels significantly reduced
- Maintains class leading cab space

3 PRODUCTIVITY – Move More

- Maintains same lift and capacity as current
- Full shift operation from single charge for 90% of users
- On board charging and rapid off board charging.

4 EASE OF USE – Easy & Effortless

- Easy access to charge battery
- On board charging and rapid off board charging.
- Clear in-cab display screen shows charge level
- Market leading installation and handover

5 EFFICIENCY – Use Less Litres

- Fully powered by electric – no diesel required
- Regenerative braking system - maximises charge time
- Regenerative hydraulics reduces power consumption



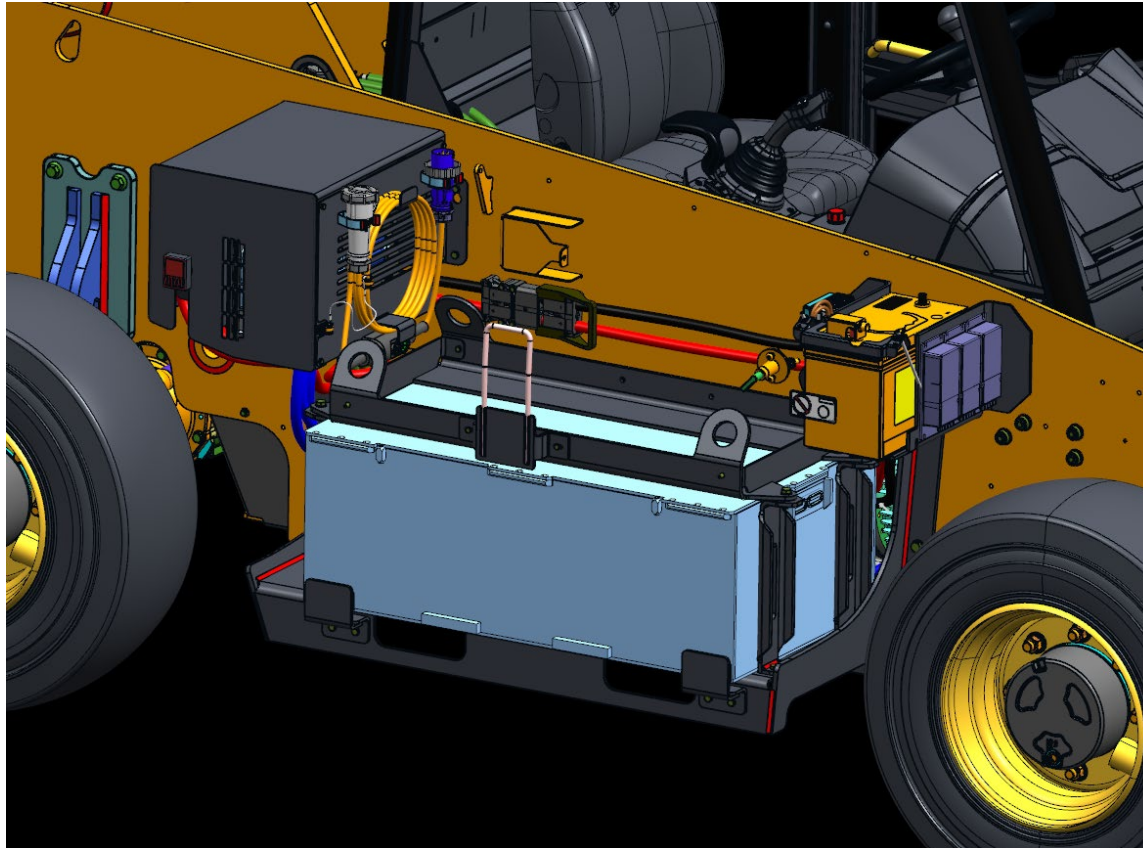
JUNGHEINRICH



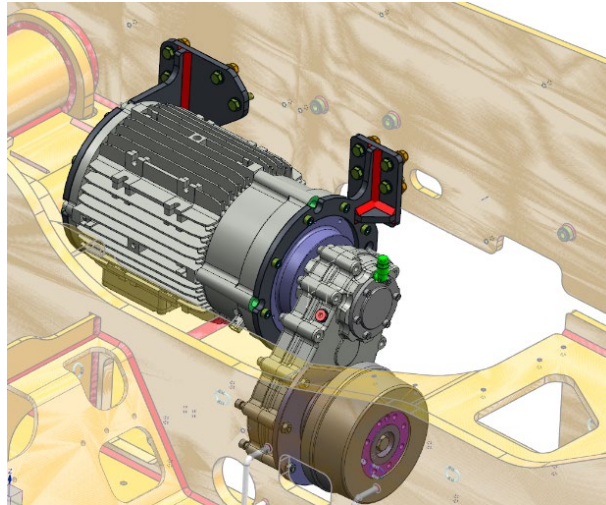
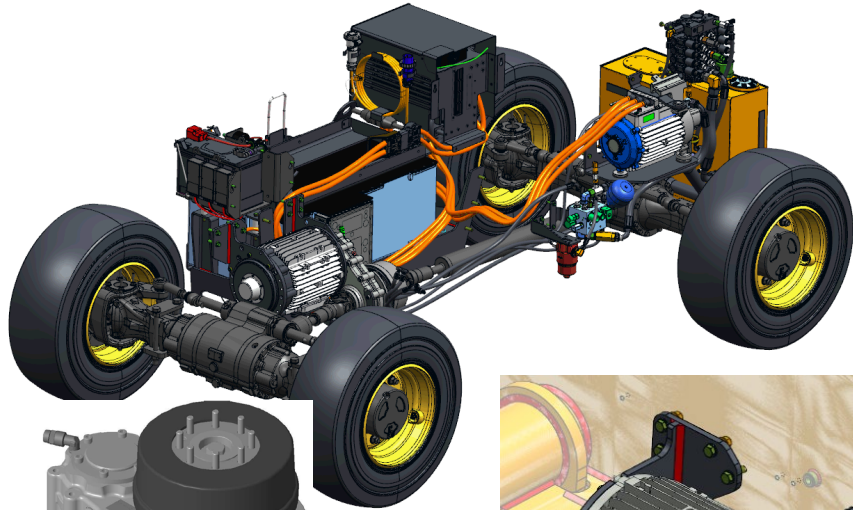


Eroja diesel version kurottajaan

- Ei perävaunun vetomahdollisuutta, koska koneen hidastuvuus on toteutettu regeneroinnilla.
- Ei ilmastointia
- Ei vesikiertoista lämmitystä hyttiin – keraaminen PTC sähkölämmitin korvaa.
- Lämmitetyt lasit edessä, sivulla ja takana.
- Sähköinen ajomoottori alennusvaihteistolla 2.75:1 välityksellä.
- Ei akselijarruja, kardaanin laipalla rumpujarru, hätäjarrutusta ja käsijarrua varten
- Regeneroiva jarru lataa hidastaessa ja rullatessa 96v akkua.
- Ei erillistä hydraulikanjäähdytintä, joten jatkuvavirtaus hydraulikka ei mahdollinen.



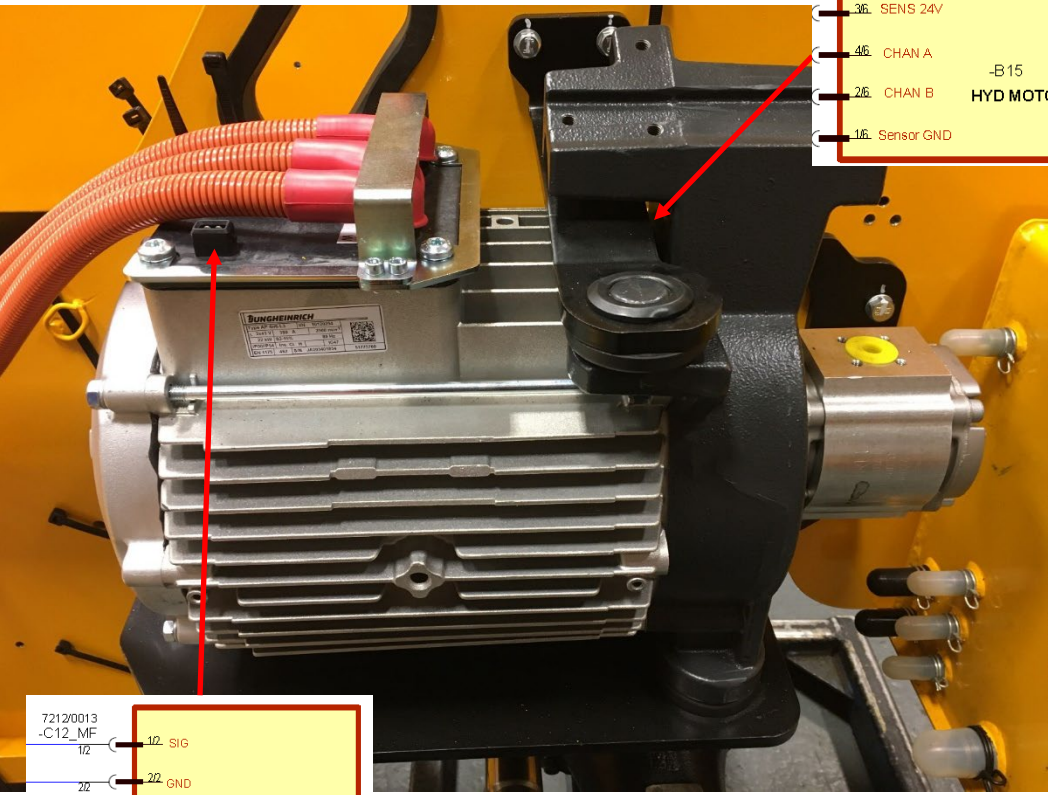
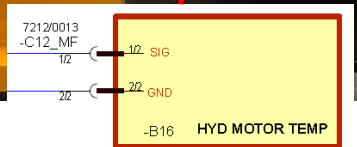
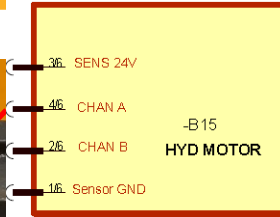
- 96v akkujärjestelmä. Lithium-Ion
- HaV komponentit sijoitettu akkukotelon sisään.
- HaV akku voidaan eristää irrottamalla trukkimallin liitin.
- 12V akkua käytetään mittariston ja kuormanvalvonnan tarpeisiin. Lataus hoidetaan DC-DC muuntimella.



- Jatkuva 4WD (JCB SD40 akselit)
- 17KW moottori 6000RPM
- Jakolaatikko 2.75 välityksellä takaa 15 km/h huippunopeuden
- Regeneroiva jarrutus, eli lataa akkuja hidastuksesta.
- Ajoaika yhdellä latauksella noin 6h

Hydrauliikka

- 22KW sähkömoottori 3600RPM
- 22CC hammasrataspumppu, jonka tuotto on 80lpm
- Husco sähköisesti esiohjattu hydraulilohko



Latauspisteke



Latauksesta kertovat LED



Laturi



Näyttö



Charging Requirements and Estimated Time

This machine is installed with an on-board charger suitable for your territory as specified in the table. Refer to Table 24.

Where the connector on the machine is Blue it will be suitable for 220–240V at 16A current draw, where Grey it will be suitable for either 220–240V or 110–120V with a 12A current draw. If you require an alternative voltage charger to that supplied with your machine, you should contact your local JCB dealership.

Table 24.

Charger Type	Voltage and Am- pere Requirements	Frequency (Hz)	Full Charge time	25% to 80% Charge Time
On-board 3kW	220–240V 16A	50/60	8h	5h
On-board 1.2kW	220–240V 12A	50/60	21h	11h
On-board 1.2kW	110–120V 12A	50/60	21h	11h
Off-board Rapid 18kW	415V (3 phase) 32A	50	1h 45min	1h
Off-board Rapid 27kW	415V (3 phase) 63A	50	1h	30min
Off-board Rapid 18kW	480V (3 phase) 22A	60	1h 45min	1h
Off-board Rapid 27kW	480V (3 phase) 63A	60	1h	30min

Charger Cables

The machine has two charger configurations to allow use with different voltages. These are identified on the machine by the colour of the charge inlet socket.

Only use a JCB approved cable that has been designed to go with the corresponding colour of charge socket on the machine. Details of the appropriate cable for a specific territory and voltage requirement is specified in the table. Refer to Table 25.

Table 25.

Charge Inlet Colour	Territory	Industrial / Do- mestic	Mains Voltage	Cable Length	JCB Part Num- ber
Blue	UK	Industrial	230V	8m	401/T8065
Blue	EUROPE	Industrial	230V	8m	401/T9359
Grey	UK	Industrial	110V	8m	401/U9598
Grey	UK	Industrial	230V	8m	401/U9594
Grey	UK	Domestic	230V	8m	401/U9601
Grey	EUROPE	Industrial	230V	8m	401/U9603
Grey	USA	Industrial	110V	8m	401/U9608
Grey	AUS/NZ/CHN	Industrial	230V	8m	401/U9611
Grey	AUS/NZ/CHN	Domestic	230V	8m	401/U9615

This machine is also installed with the capability to utilise higher output chargers specified by JCB that can allow opportunity/rapid charging and increase the productivity of the machine. These rapid chargers will require three phase electrics. Read and understand the provided manual with the rapid charger before use, and make sure that the electrical requirements for the charger are met.





JCB 403 E



403E perustuu 403 19kw Smart versioon

- Saatavilla samat lisävarusteet kuin diesel versioon.
- Sama hydraulikka kuin diesel version.
- Saatavilla myös lämpimällä umpihytillä.
- Huippunopeus 20km/h
- Työskentelyaika noin 5h
- Pikalatauksella tyhjästä 90% alle 2h.

Ajomootorin teho	10.6 kW
Hydraulimootorin teho	11 kW
HaV jännite	96 V
Latausaika (h)	9 -9,5h (230v lataus), 3-vaihe pikalataus 2h 90%
Akun tyyppi	Lithium Ion 19kW in 96V Configuration
Kapasiteetti	185 Ah
työskentelyaika	4-5 h

	403 19kw Smart	403E
Machine Weight (kg)	2794	2771
Front axle Straight (kg)	1077	992
Rear Axle Straight (kg)	1717	1778
% Weight on Front	39%	36%
% Weight on Rear	61%	64%
Tipping Load Straight (Kg)	1729	1791
Tipping Load Full Turn (Kg)	1262	1388
Pay Load (Kg)	631	694
Speed (kph)	20	20

19C-E minikaivinkone



- Työpaino
 - 4 akun paketilla :1902kg
- Akku
 - 48v Lithium-ion akku
 - 19.8kWh
- Hydraulikkamoottori
 - 7kW jatkuvaa, 20kW maksimi teho
- Sisäänrakennettu lataus
 - 8h latausaika 230v
- Pikalataus
 - 3-vaihe pikalatausmahdollisuus
 - Latausaika alle 2h tyhjästä täyteen.
- Tehoalueet
 - L@1200rpm
 - G@1600rpm
 - H@1800rpm
 - Nopea ajo 2300rpm



JCB virtapankki työkoneille





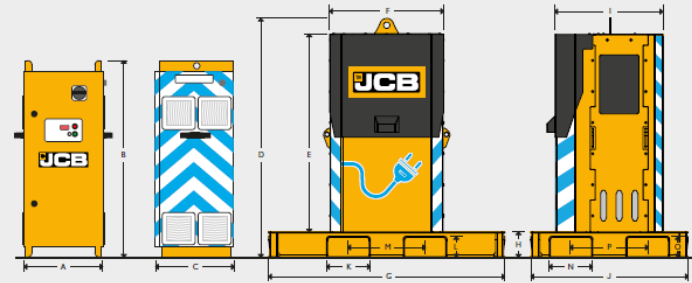
- Päästötön vaihtoehto tuottaa sähköä sellaisiin paikkoihin joissa sitä ei ole saatavilla.
- Virtapankki ladataan ennen kohteeseen tuontia.
- Sarjaan kytketyt akut, tarjoavat laajan skaalan erilaisia jänniteulosottoja.
- 3-vaiheinen 400v, maksimi kuorma 4kw.
- Akkukapasiteetit 46kWh-104kWh, kolme eri vaihtoehtoa

Item	3.50QE	3.75QE	3.100QE
Number of batteries	8	12	18
Three phase / single phase output	400V / 230V	400V / 230V	400V / 230V
Total storage capacity	46kWh	69kWh	104kWh
Maximum recommended depth of discharge	90%	90%	90%
Capacity to 90% depth of discharge	41kW	62kW	94kW
Continuous output at 25°C (77.0°F)	36kW	36kW	36kW
Peak power output at 25°C (77.0°F)	45kVA	45kVA	45kVA
Autonomy 1kW/ 2kW / 4kW	20h / 10h / 5h	30h / 15h / 7.5h	45h / 22.5h / 11h

SPECIFICATION

UNIVERSAL FAST CHARGER / CHARGE GUARD

401/X4630



STATIC DIMENSIONS - UNIVERSAL FAST CHARGER / CHARGE GUARD

A	Width	mm (in)	406 (16)
B	Height	mm (in)	875 (34.5)
C	Depth	mm (in)	401 (15.8)
D	Full height	mm (in)	1214 (47.8)
E	H-Height	mm (in)	1001(39.5)
F	Width	mm (in)	572 (22.5)
G	Full width	mm (in)	1200 (47.2)
H	Height of base	mm (in)	128 (5)
I	Depth	mm (in)	549 (21.6)
J	Full depth	mm (in)	800 (31.5)
K	Front fork-pocket width	mm (in)	350 (13.7)
L	Front fork-pocket height	mm (in)	97 (3.8)
M	Front fork-pocket centres	mm (in)	520 (20.5)
N	Side fork-pocket width	mm (in)	215 (8.5)
O	Side fork-pocket height	mm (in)	97 (3.8)
P	Side fork-pocket centres	mm (in)	385 (15)

FEATURES - UNIVERSAL FAST CHARGER

- Lithium-ion ready
- 3 phase power supply
- 2 year warranty
- Lifting hook and handles for manoeuvrability
- Supplied with a 2.5m charge cable which plugs directly into the machine

FEATURES - CHARGE GUARD

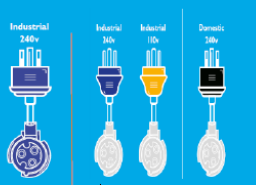
- Lockable for enhanced security
- Lifting hook and fork pockets for manoeuvrability



SINGLE PHASE

UK

STANDARD CHARGE

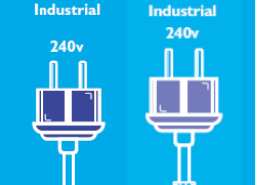


401/T9359 401/U9594 401/U9598 401/U9601



EU

STANDARD CHARGE

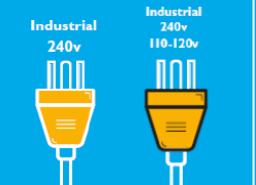


401/T9359 401/U9603

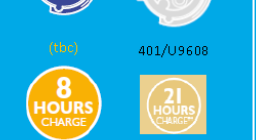


USA

STANDARD CHARGE

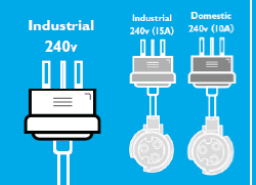


(tbc) 401/U9608

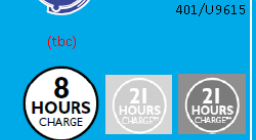


AUS/NZ/CH

STANDARD CHARGE

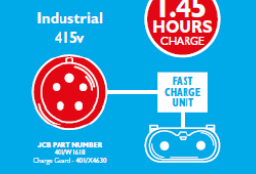


401/U9611 401/U9615



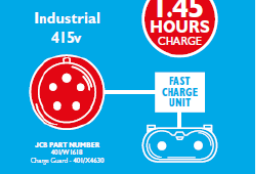
THREE PHASE

FAST CHARGE



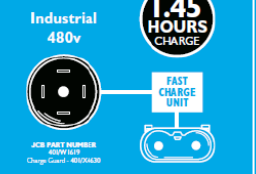
Compatible machines:

FAST CHARGE



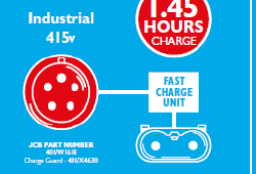
Compatible machines:

FAST CHARGE



Compatible machines:

FAST CHARGE



Compatible machines:

AVAILABLE WITH 1.2kW CHARGER – 21H CHARGE TIME

401/U9611	AUS/NZ CHR LD 240V GREY-GREY (8m)
401/U9603	EURO CHR LEAD 240V GREY-BLUE (8m)
401/U9594	UK CHR LEAD 240V GREY-BLUE (8m) (industrial)
401/U9601	UK CHR LEAD DOM 240V GREY-DOMESTIC BLACK (8m)
401/U9615	AUS/NZ CHR LEAD 240V GREY- DOMESTIC GREY (8m)
401/U9598	UK CHR LEAD 110V GREY-YELLOW (8m) (industrial)
401/U9608	USA CHR LEAD 110V GREY-YELLOW (8m)

AVAILABLE WITH 3kW CHARGER – 8H CHARGE TIME

401/T9359	EURO CHR LEAD 240V BLUE-BLUE
401/T8065	UK CHR LEAD 240V BLUE-BLUE
TBC (LH)	AUS/NZ CHR LEAD 240V BLUE-GREY (7213/0096)(8m)
TBC (LH)	USA CHR LEAD 240V BLUE-YELLOW (hub) (8m)