



2015 FLORIDA STATE SOFTBALL

1981 & 1982 AIAW National Champions - Eight WCWS Appearances (1987, '90, '91, '92, '93, 2002, '04, '14)
13 Atlantic Coast Conference Championships (1992, '93, '95, '96, '97, '98, '99, 2000, '03, '04, '11, '14, '15)
28 NCAA Championship Appearances - 27 All-Americans - 60 All-ACC Members

2015 SEASON

Overall	48-12
ACC	20-3
Home	24-7
Away	14-3
Neutral	10-2

FEBRUARY

Renegade Classic - Tallahassee, Fla.		
Sat 7	Georgia Southern	W, 8-0 (6)
Sat 7	No. 6 Kentucky	W, 3-2
Sun 8	No. 6 Kentucky	L, 1-3
Sun 8	Georgia Southern	W, 4-0

Tue 10	at Florida A&M	W, 12-5
--------	----------------	---------

Unconquered Invitational - Tallahassee, Fla.

Fri 13	No. 20 Nebraska	W, 4-1
Fri 13	Western Kentucky	W, 2-1
Sat 14	No. 7 Michigan	L, 5-6
Sat 14	No. 7 Michigan	L, 1-2
Sun 15	No. 20 Nebraska	W, 3-2

Mary Nutter Collegiate Classic - Palm Springs, Calif.

Thur 19	vs. No. 13 Tennessee	L, 1-4
Thur 19	vs. RV South Carolina	W, 4-3 (10)
Fri 20	vs. Oklahoma State	W, 4-1
Sat 21	vs. No. 20 Cal	L, 6-7
Sat 21	vs. No. 12 UCLA	W, 5-1

Wed 25	Florida A&M (ESPN3)	Postponed
Sat 28	Boston College*	W, 5-0
Sat 28	Boston College*	W, 2-1

MARCH

Sun 1	Boston College*	W, 5-1
-------	-----------------	--------

Parent's Weekend Tournament - Boca Raton, Fla.

Fri 6	vs. Coastal Carolina	W, 9-0 (5)
Fri 6	vs. Bethune-Cookman	W, 12-0 (5)
Sat 7	vs. Hofstra	W, 2-1
Sat 7	at RV FAU	W, 1-0
Sun 8	vs. Coastal Carolina	W, 8-0 (5)

Tue 10	at RV FAU	W, 12-0 (6)
Thur 12	USC Upstate (ESPN3)	W, 2-0
Thur 12	USC Upstate (ESPN3)	CCD - Rain
Sat 14	RV Notre Dame*	W, 4-1
Sat 14	RV Notre Dame*	W, 7-3
Sun 15	RV Notre Dame*	L, 0-12
Tue 17	Colgate (ESPN3)	W, 8-0 (5)
Wed 18	Troy	L, 4-6 (8)
Sat 21	at No. 25 Virginia Tech* (ESPN3)	W, 7-5 (8)
Sat 21	at No. 25 Virginia Tech* (ESPN3)	W, 7-6 (8)
Sun 22	at No. 25 Virginia Tech*	W, 5-2
Wed 25	No. 9 Auburn (ESPN3)	W, 10-7
Wed 25	No. 9 Auburn (ESPN3)	L, 4-10
Sat 28	RV Pitt*	W, 8-0 (5)
Sat 28	RV Pitt*	W, 7-0
Sun 29	RV Pitt*	W, 3-0

APRIL

Wed 1	Florida A&M (ESPN3)	W, 11-0 (6)
Fri 3	at NC State*	W, 6-5
Fri 3	at NC State*	W, 10-1 (6)
Sat 4	at NC State*	L, 4-9
Wed 8	No. 3 Florida	L, 1-5
Sat 11	at Louisville*	L, 0-1
Sun 12	at Louisville* (ESPNU)	W, 9-1
Mon 13	at Louisville* (ESPNU)	CCD - Rain
Wed 15	Georgia State	CCD - Rain
Wed 15	Georgia State	CCD - Rain
Sat 18	Virginia*	W, 9-1 (6)
Sat 18	Virginia*	W, 8-0 (5)
Sun 19	Virginia*	W, 8-0 (5)
Wed 22	at No. 1 Florida (SEC Network)	L, 0-5
Sat 25	at Georgia Tech*	W, 2-1 (8)
Sat 25	at Georgia Tech*	W, 3-2
Sun 26	at Georgia Tech*	W, 8-1
Mon 27	at Georgia State	W, 6-3

MAY

Sun 3	at North Florida	W, 15-1 (5)
Thur 7	vs. Boston College (RSN)	W, 4-2
Fri 8	vs. RV NC State (RSN)	W, 11-4
Sat 9	vs. Pitt (ESPN)	W, 6-2
Fri 15	Dartmouth (ESPN3)	W, 5-1
Sat 16	No. 13 UCF (ESPN3)	W, 2-1
Sun 17	No. 13 UCF (ESPN3)	W, 5-0
Thur 21	at No. 8 Tennessee (ESPN)	7:00 p.m.
Fri 22	at No. 8 Tennessee (ESPNU)	4:00 p.m.
28-June 3	Women's College World Series	

* - ACC Game



No. 9 Florida State (48-12)
at
No. 8 Tennessee (45-14)

2015 NCAA Knoxville Super Regional

Thur., May 21 at 7:00 p.m. - ESPN2

Fri., May 22 at 4:00 p.m. - ESPNU

Fri., May 22 at 7:00 p.m. - ESPN



2015 SOFTBALL CHAMPIONSHIP

Location: Tallahassee, Fla. | Stadium: JoAnne Graf Field | TV: ESPN3

Live Stats: Gametracker | In-game updates: @FSU_Softball on Twitter

QUICK HITS

- Florida State is ranked No. 9 in the NFCA/USA Today poll and come in at No. 10 in the ESPN.com/USA Softball poll for May 12.
- The Seminoles are No. 7 in this week's NCAA Softball RPI and are a No. 9 national seed in the 2015 NCAA Softball Championship.
- FSU won its third consecutive ACC regular season championship and second straight ACC tournament championship in 2015.
- The Seminoles placed six players on the All-ACC Teams and five on the ACC All-Tournament Teams. Lacey Waldrop was named ACC Pitcher of the Year, Jessica Warren was named Freshman of the Year and Lonni Alameda earned ACC Coach of the Year for the third-straight season.
- Freshman Morgan Klavemann leads the team with a .401 batting average as she is currently on a 26-game hitting streak. She is batting .484 (44-for-91) with three triples, 27 runs scored, 13 walks, 14 RBI and 11 stolen bases during the streak.
- Freshman third baseman Jessica Warren leads the FSU offense in eight categories, including runs scored (49), home runs (16), RBI (53) and slugging (.717).
- Maddie O'Brien tops the NCAA with 72 walks, which is an FSU single-season record, ranks second in ACC history and is 12th-most in NCAA history. Her 197 career walks is an FSU and ACC record and sits No. 10 in NCAA history.
- Senior pitcher Lacey Waldrop is having another amazing season as she holds a 28-6 record with two saves and a 1.50 ERA. She has recorded 225 strikeouts over 201.2 innings and teams are batting just .164 against her in 2015.
- Jessica Burroughs has been dominant in the circle as well for the Noles, earning 2015 ACC Tournament MVP honors and she has an 18-5 record with a 2.15 ERA this season. Burroughs has posted 214 strikeouts in 172.1 innings and has three saves. She has allowed just one walk in 25.1 innings and has won nine straight.

MEDIA INFORMATION

Softball SID	Scott Moriak	E-mail	smoriak@fsu.edu
Office Phone	850-644-1403	Website	Seminole.com
Cell Phone	715-641-0365	Mailing Address	403 Stadium Dr.
Fax	850-644-3820	Tallahassee, Fla. 32306

NOLES FOR NATIONAL AWARDS

For the second year in a row, Lacey Waldrop was announced to be a Top 26 Finalist for the 2015 USA Softball Collegiate National Player of the Year by The Amateur Softball Association (ASA) of America and USA Softball. The senior from Chester, Va., earned the national award in 2014 and has posted an impressive 2015 season as well. The list was reduced to 10 finalists on May 6, with the final three candidates to be announced on May 20. The USA Softball Collegiate National Player of the Year will be awarded on May 26 at the Women's College World Series. Waldrop has also been named one of 10 finalists for the 2015 Senior CLASS award.

Freshman Jessica Warren was named as one of the top 25 finalists for NFCA Division I National Freshman of the Year. The award is in its second year of existence and highlights excellence for those in their first season of collegiate softball. The top 25 was trimmed to 10 on May 7, with the final three to be selected on May 21. The NFCA Freshman of the Year will be presented during a live ceremony on May 26 prior to the Women's College World Series.

Lacey Waldrop – Pitcher – Senior – Chester, Va.

- Drafted in the first round by the Chicago Bandits with the No. 3 overall pick in the 2015 NPF Draft
- Named ACC Player of the Week on February 9, March 2, March 9 and April 20
- Leads the ACC with a 1.50 ERA and allowing an opposing batting average of .164
- She is in the ACC top three of five other categories, including victories (28), strikeouts (225), saves (2) home runs allowed (7)
- Recorded her seventh career no-hitter on March 6 versus Coastal Carolina, retiring 15 of the 16 batters she faced
- Pitched a complete-game victory vs. No. 12 UCLA on February 21, recording 10 strikeouts without allowing a walk and gave up just three hits and one run
- Retired 15 of the 16 batters she faced, surrendering just one hit, against Boston College on February 28
- Recorded a streak of 47.2 innings without allowing an earned run (UCLA, Feb. 21 to Virginia Tech, March 21)
- Has allowed more than two runs in only seven appearances this season
- Snapped a streak of 21.1 innings without giving up an earned run on an RBI groundout at Florida on April 22.



Jessica Warren – Third Baseman – Freshman – Tampa, Fla.

- Top-10 in the ACC in 11 different categories and is third in the conference with a .717 slugging percentage and fourth in the ACC with 16 home runs.
- Batted .403 (29-for-72) with nine home runs and 26 RBI against ACC opponents this season. She has also hit three doubles and a triple with six walks and 22 runs scored in 23 conference games.
- Had an amazing first day of her collegiate career, batting a combined 5-for-7 with two doubles, two home runs, four RBI and four runs scored versus Georgia Southern and No. 6 Kentucky
- Hit a walk-off, three-run home run versus Notre Dame on March 14; finished 2-for-4 from the plate in the game with two runs scored
- Posted an eight-game hitting streak from February 15 to February 28 and recorded a 15-game streak of reaching base from February 15 to March 10
- Batted .667 (6-for-9) with a 1.222 slugging percentage on two doubles and a home run with four RBI and three runs scored in the series at NC State on April 3-4
- Went 2-for-4 with a two-RBI single and a two-RBI home run at Louisville on April 12 to help FSU to a 9-1 win on the road
- Leads the team with 19 multiple-hit games and 16 multiple-RBI games

AGAINST THE FIELD OF 64

The Seminoles played against 21 teams that made the 2015 NCAA Tournament. Overall 40 of FSU's 59 games this season, over 66 percent, were played against teams in the postseason and the Noles posted a record of 29-11 against those teams.

26 STRAIGHT!

Freshman outfielder Morgan Klaevemann is currently on a 26-game hitting streak, dating back to March 25. The streak ranks second in FSU history, trailing Natasha Jacob's 28-game streak from April 4, 2005 to February 14, 2006.

She is batting .484 (44-for-91) with three triples, 27 runs scored, 13 walks, 14 RBI and 11 stolen bases over that span. Klaevemann has recorded multiple hits in 14 of those 26 games, including four games with three hits.

VERSUS THE BEST

The Seminoles put together a schedule in 2015 that forced them to play against the best in the country. According to the NCAA Softball RPI, Florida State had the No. 2 rated non-conference strength of schedule, and No. 1 opponents strength of schedule.

In all, Florida State played against teams from 11 different conferences, including six teams that won either their conference's regular season or tournament championship.

The Seminoles also competed against five coaches who earned their conference's 2015 Coach of the Year honors as well as a total of 43 First Team All-Conference selections.

40-WIN MILESTONE

With an 8-1 win in the final game of the series at Georgia Tech on April 26, Florida State won its 40th game of the season and surpassed the 40-win milestone for the 28th time in program history.

It marks the sixth time in seven seasons under head coach Lonni Alameda that the Noles have won 40 games in a season.

'NOLES IN THE POLLS

USA Softball/ESPN.com Poll (May 12)

Rk.	Team	2015 Record	Pts.	LW
1.	Florida (11)	50-6	485	2
2.	Oregon (6)	46-6	484	1
3.	Michigan (2)	51-6	462	3
4.	Auburn (1)	49-9	443	6
5.	Oklahoma	45-7	400	4
6.	Alabama	42-12	397	5
7.	LSU	44-11	360	8
8.	UCLA	45-10	356	7
9.	Tennessee	42-14	352	12
10.	Florida State	45-12	328	10
t11	Louisiana	39-9	281	11
t11	Minnesota	46-9	281	9
13.	Missouri	39-14	268	13
14.	UCF	48-7	249	15
15.	Baylor	38-15	215	14
16.	Georgia	40-14	204	16
17.	James Madison	47-8	156	17
18.	Arizona	38-17	155	18
19.	California	38-16	123	19
20.	Washington	40-15	96	20
21.	Arizona State	34-20	86	23
22.	Notre Dame	40-13	74	21
23.	Utah	34-17	64	22
24.	North Dakota State	43-9	35	RV
25.	Texas A&M	38-18	30	25

NFCA/USA Today Coaches Poll (May 12)

Rk.	Team	2015 Record	Pts.	LW
1	Oregon (19)	46-6	787	1
2	Florida (13)	50-6	777	2
3	Michigan	51-6	733	3
4	Auburn	49-9	696	7
5	Alabama	42-12	655	4
6	Oklahoma	45-7	628	5
7	UCLA	45-10	577	6
8	LSU	44-11	571	8
9	Florida State	42-12	551	9
10	Tennessee	42-14	540	11
11	Louisiana	39-9	468	10
12	Missouri	39-14	427	13
13	UCF	48-7	412	15
14	Georgia	40-14	384	14
15	Minnesota	46-9	366	12
16	Arizona	38-17	306	17
17	James Madison	47-8	271	18
18	Baylor	38-15	244	16
19	California	38-16	234	19
20	Washington	40-15	180	20
21	Notre Dame	40-13	151	21
22	South Alabama	38-11	130	23
23	Arizona State	34-20	91	24
24	Texas A&M	38-18	52	22
25	North Dakota State	43-9	43	RV

NCAA Women's Softball RPI (May 12)

Rk.	Team	2015 Record	Road	Home
1	Florida	50-6	13-3	24-2
2	LSU	44-11	7-7	32-4
3	Auburn	49-9	12-5	27-3
4	Oregon	46-6	15-3	16-1
5	Michigan	51-6	20-1	14-2
6	Alabama	42-12	13-4	19-7
7	Florida St.	45-12	14-3	21-7
8	UCLA	45-10	10-4	22-4
9	Tennessee	42-14	11-6	20-4
10	Missouri	39-14	12-4	12-6
11	La.-Lafayette	39-9	10-7	27-1
12	James Madison	47-8	14-2	22-3
13	Hofstra	37-12-1	14-6-1	15-4
14	Oklahoma	45-7	14-4	19-1
15	UCF	48-7	14-2	29-4
16	Arizona	38-17	9-6	24-5
17	Georgia	40-14	9-4	23-7
18	Minnesota	46-9	19-1	12-3
19	Notre Dame	40-13	12-8	18-1
20	California	38-16	6-10	14-5
21	Arizona St.	34-20	9-7	22-12
22	Baylor	38-15	9-7	20-5
23	Kansas	38-13	12-4	10-8
24	Texas A&M	38-18	4-10	27-6
25	Kentucky	29-24	8-13	12-9
26	Utah	34-17	13-7	7-6
27	Washington	40-15	13-7	15-4
28	South Ala.	38-11	12-4	17-5
29	Texas	37-15	13-4	18-6
30	South Carolina	37-20	7-9	23-8
31	Western Ky.	34-12	15-8	9-2
32	NC State	35-20	18-13	9-6
33	Mississippi St.	35-19	12-7	20-10
34	Northwestern	28-21	8-9	11-2
35	North Carolina	36-14	8-8	21-2

Week-by-Week Ranking

Week	USA Softball	NFCA	RPI	Record
Preseason	5	5	-	0-0
Feb. 10	5	6	-	3-1
Feb. 17	8	9	-	7-3
Feb. 24	12	12	-	10-5
March 3	11	12	-	13-5
March 10	9	10	-	18-5
March 17	10	10	-	22-6
March 24	11	11	6	26-7
March 31	11	8	5	30-8
April 7	10	8	5	33-9
April 14	11	10	6	34-11
April 21	11	10	8	37-11
April 28	10	9	9	40-12
May 5	10	9	8	42-12
May 12	10	9	7	45-12

2015 QUICK FACTS

LocationTallahassee, Fla.
 Founded..... 1851
 Enrollment.....41,477
 Symbol Seminole
 Colors.....Garnet and Gold
 Conference Atlantic Coast
 President.....John Thrasher
 Athletics Director.....Stan Wilcox

Head Coach.....Lonni Alameda
 Alma Mater..... Oklahoma '93
 Career Record..... 423-264-1 (11 years)
 FSU Record266-106 (Six years)
 Assistant Coach.....Travis Wilson
 Alma Mater..... Canterbury '96
 Assistant Coach..... Craig Snider
 Alma Mater..... Centenary '05
 Softball Office.....850-644-9594

Home FieldJoAnne Graf Field
 Dimensions..Lines - 200', Center - 220'
 Capacity 1,000
 Press Box Phone850-645-3245

First Year of Softball 1978
 All-Time Record1,749-615-5
 ACC Titles 13*
*includes tie with Maryland in 1997
 National Titles (AIAW)2
 NCAA Regional Appearances..... 28
 NCAA Super Regional Appearances...3
 WCWS Appearances8
 NCAA Tournament Record 58-60

2014 Record 55-9
 2014 ACC Record24-3
 2014 ACC Finish.....1st (Tournament)
1st (Regular Season)

Starters R/L 5/5
 Pitchers R/L..... 3/1
 Letterwinners R/L.....12/8
 Newcomers.....8

Softball Oversight Cindy Hartmann
 Softball SID Scott Moriak
 Moriak's email smoriak@fsu.edu
 Moriak's Office850-644-1403
 Moriak's Cell.....715-641-0365
 SID Office Fax..... 850.644.3820
 Website seminole.com
 Mailing Address.403 Stadium Drive W.
 Tallahassee, FL 32306

Twitter.....@FSU_Softball
 Facebook/FSUsoftball
 Instagram/fsusoftball

ACC LEADERS

Florida State earned its third-consecutive ACC regular season championship in 2015 with a 20-3 conference record and is tops in the conference in 13 team statistical categories, and top three of 20 categories as of May 19.

Ten Seminoles are also among the top three in the conference in 13 individual categories.

ACC STANDINGS - As of May 19

Team	ACC	Overall
Florida State	20-3	48-12
North Carolina	16-5	37-16
Notre Dame	17-6	42-15
Louisville	16-7	30-19
NC State	13-8	38-20
Pitt	11-13	37-22
Virginia Tech	9-14	34-23
Boston College	6-15	27-24
Georgia Tech	6-18	16-34
Syracuse	4-13	20-26
Virginia	4-20	16-40

TEAM TOP THREE - As of May 19

Category	Rank	Value
On-Base Percentage	3	.414
Runs Scored	3	328
Runs Batted In	3	291
Triples	1	18
Walks	1	294
Sacrifice Bunts	3	32
Sacrifice Flies	1	20
Stolen Bases	3	51
ERA	1	1.85
Opposing BA	1	.170
Innings Pitched	2	400.2
Batters Struck Out	1	453
Wins	1	48
Saves	1	6
Hits Allowed	1	244
Runs Allowed	1	139
Earned Runs Allowed	1	106
Doubles Allowed	1	34
Triples Allowed	2	4
Home Runs Allowed	1	25

INDIVIDUAL TOP THREE - As of May 19

Category	Player	Rank	Value
Slugging	Jessica Warren	3	.717
OBP	Maddie O'Brien	3	.507
TB	Jessica Warren	2	129
Walks	Maddie O'Brien	1	72
	Alex Powers	2	55
HBP	Jessica Warren	2	14
Sac Bunts	Macey Cheatham	2	10
	Alex Kossoff	3	8
	Ellie Cooper	3	8
ERA	Lacey Waldrop	1	1.50
Opp. BA	Lacey Waldrop	1	.164
	Jessica Burroughs	2	.168
IP	Lacey Waldrop	2	205.1
Wins	Lacey Waldrop	2	28
Saves	Jessica Burroughs	1	3
App	Lacey Waldrop	3	40
Field Pct.	Morgan Klaevemann	1	1.000
	Bailey Schinella	1	1.000

ALL OVER THE ALL-ACC

Florida State, the 2015 regular season and tournament champions of the ACC placed six players on the All-ACC First and Second Teams this season. Lacey Waldrop earned ACC Pitcher of the Year honors for the second year in a row and Jessica Warren was selected at the ACC Freshman of the Year.

Joining Waldrop and Warren on the All-ACC First Team was Morgan Klaevemann.

Jessica Burroughs, Maddie O'Brien and Ellie Cooper were selected to the All-ACC Second Team.

Head Coach Lonni Alameda also earned ACC Coach of the Year honors for the third season in a row. She is just the second coach in the history of the ACC to be named Coach of the Year in three consecutive years, joining Sharon Perkins of Georgia Tech (2009-11).

ACC ALL-TOURNAMENT TEAM

FSU pitcher Jessica Burroughs had three impressive relief appearances during the 2015 ACC Softball Championship to be named Most Valuable player of the tournament.

The sophomore from Warner Robins, Ga., tossed 13.2 innings over three games, earning two wins and a save. She allowed just one run on eight hits with 18 strikeouts and four walks.

Joining Burroughs on the 2015 ACC All-Tournament team were Bailey Schinella, Alex Powers, Victoria Daddis and Jessica Warren.

Schinella batted .400 with two doubles, while Daddis hit a two-run home run and added an RBI single. Powers reached base in nine of 10 plate appearances, hitting two singles and a double along with six walks.

Warren's pinch-hit two-run double in the bottom of the sixth of the ACC Championship game gave the Noles the lead as FSU went on to win 6-2 over Pitt.

MADDIE O RECORD WATCH

Redshirt senior shortstop Maddie O'Brien had already secured the all-time FSU records in home runs and RBI coming into the 2015 season. She currently has 55 HR and 216 RBI.

On March 6, she posted her 145th walk to pass Jessica van der Linden for the Florida State record. She now has 197 walks for her career.

O'Brien also currently has the highest career slugging percentage (.652) and is tied for third in doubles with 41.

In 2015, O'Brien has 72 walks through 60 games, which is an FSU single-season record and leads the NCAA in the category.

She also is moving up the charts of several ACC and NCAA career and single-season marks.

MADDIE O'BRIEN RECORD WATCH

NCAA Career Walks

1.	Veronica Nelson, Cal	2000-03	395
2.	Valerie Arioto, Cal	2008-10, 12	264
3.	Stacey Nuveman, UCLA	1997-02	240
4.	Devon Wallace, Arkansas	2012-Pr.	235
	Kaitlin Cochran, Arizona St	2006-09	235
6.	Sam Marder, Ohio St	2007-10	232
7.	Oli Keohohou, BYU/LBSU	2001-03, 05	227
8.	Tarrah Beyster, OSU	1997-00	211
9.	Lauren Chamberlain, OU	2012-Pr.	206
10.	Maddie O'Brien, FSU	2012-Pr.	197
11.	Jenny Topping, UW/CSF	2000, 01-03	193
12.	Adrienne Monka, NU	2009-12	190

NCAA Single Season Walks

1.	Veronica Nelson, Cal	2002	108
...			
9.	Stacey Nuveman, UCLA	2001	77
10.	Kaitlin Cochran, Arizona St	2008	74
11.	Taylor Hoagland, Texas	2013	73
	Oli Keohohou, BYU	2001	73
14.	Maddie O'Brien, FSU	2015	72

ACC Career Walks

1.	Maddie O'Brien, FSU	2012-Pr.	197
2.	Heather Field, UVA	2001-04	153
3.	Jen Yee, GT	2007, 2009-10	151

ACC Career Home Runs

1.	Renada Davis, NC State	2012-Pr.	63
2.	Whitney Haller, GT	2006-09	61
3.	Maddie O'Brien, FSU	2012-Pr.	55
	Kelsi Weseman, GT	2009-12	55
5.	Jen Yee, GT	2007, 2009-10	54
6.	Jen Chamberlin, NC State	2004-07	49

ACC Career Runs Batted In

1.	Whitney Haller, GT	2006-09	228
2.	Maddie O'Brien, FSU	2012-Pr.	216
3.	Kelsi Weseman, GT	2009-12	201

NO. 1 SEED

The Seminoles entered the 2015 ACC Championships with the No. 1 seed for the 12th time in program history. FSU is now 32-8-1 all-time in the ACC Championships as the No. 1 seed, including eight conference championships.

BACK TO BACK!

The Seminoles earned their second-straight ACC Tournament championship on May 9 with a 6-2 win over Pitt.

FSU earned two other back-to-back championships in 2003-04 and 1992-93. The Noles also earned ACC tournament titles six straight times from 1995-2000.

THREE-PEAT

Florida State earned the ACC regular season championship for the third consecutive season after finishing with the best conference winning percentage in 2013, 2014 and 2015.

It is the third time that the Seminoles have had a streak of at least three straight ACC titles, as they topped the conference four years in a row from 1992-95 and again from 2001-04.

Georgia Tech is the only other ACC school to accomplish the feat, as the Jackets earned regular season titles in 2009-11.

BRUISING THE BRUINS

Lacey Waldrop and the Seminoles capped off their trip to California and the Mary Nutter Collegiate Classic with an impressive win over No. 12 UCLA.

Waldrop tossed a complete game, allowing just three hits and one run while recording 10 strikeouts and zero walks.

Offensively, Jessica Warren, Alex Powers and Bailey Schinella each had two hits in the ballgame as Florida State won the game, 5-1.

HEAD COACH LONNI ALAMEDA



2005 NFCA West Region Coach of the Year
2005 MWC Coach of the Year
2007 MWC Coach of the Year
2013 ACC Coach of the Year
2014 ACC Coach of the Year
2015 ACC Coach of the Year

Coaching History

Florida State (Head Coach)	2009-Present
UNLV (Head Coach)	2004-08
Stanford (Assistant Coach)	1996-2004
Barry University (Assistant Coach)	1994-96

Coaching Ledger

Year	Record	Conf.	Finish	Postseason
UNLV				
2004	25-35	7-13	5th	N/A
2005	44-19	17-3	2nd	NCAA Reg
2006	26-37	8-12	4th	N/A
2007	37-27	12-8	2nd	N/A
2008	25-40-1	5-15	6th	N/A
Florida State				
2009	44-16	17-4	2nd	NCAA Reg
2010	44-18	12-9	3rd	NCAA Reg
2011	32-28	9-11	1st	NCAA Reg
2012	47-16	16-5	2nd	NCAA Reg
2013	44-19	18-2	1st(R)	NCAA Supers
2014	55-9	24-3	1st	WCWS
2015	48-12	20-3	1st	-

Overall: 471-276-1 FSU: 314-118 ACC: 116-37

Alameda versus the ACC since 2009

Opponent	Record	Current Streak
Boston College	23-0 (1.000)	Won 23
Georgia Tech	14-10 (.583)	Won 9
Louisville	1-1 (.500)	Won 1
North Carolina	14-6 (.700)	Won 7
NC State	20-4 (.833)	Won 1
Notre Dame	4-2 (.667)	Lost 1
Pitt	6-0 (1.000)	Won 6
Syracuse	4-0 (1.000)	Won 4
Virginia	19-3 (.864)	Won 5
Virginia Tech	15-7 (.682)	Won 3

2015 FSU RECORD WHEN..

Overall	48-12
At home	24-7
At neutral sites	10-2
On the road	14-3
Against ranked teams	10-8
Night games	12-7
Day games	36-5
On Sunday	11-2
On Monday	1-0
On Tuesday	3-0
On Wednesday	2-4
On Thursday	3-1
On Friday	9-0
On Saturday	19-5
Out-hit opponent	39-4
Out-hit by opponent	7-7
Had fewer than 5 hits	5-6
Had 5 hits or more	43-6
Had 10 hits or more	13-2
Scored first	23-3
Opponent scored first	15-9
Scored in the first inning	21-0
Scored fewer than 3 runs	7-7
Scored 3 or more runs	41-5
Scored 4 or more runs	37-5
Scored 5 or more runs	31-2
Scored 10 or more runs	8-0
Opp. scored fewer than 3 runs	39-2
Opp. scored 3 or more runs	9-10
Opp. scored 4 or more runs	6-9
Opp. scored 5 or more runs	5-8
Opp. scored 10 or more runs	0-2
Led after four innings	34-4
Led after five innings	31-3
Led after six innings	28-2
Trailed after four innings	8-6
Trailed after five innings	6-7
Trailed after six innings	4-9
In games decided by 1 run	12-4
In extra innings	4-1
Committed 0 errors	20-2
Committed 2 or more errors	11-6

2015 FSU GAME HIGHS

OFFENSIVE

At Bats	35, Michigan (2/14)
Runs.....	15, at North Florida (5/3)
Hits.....	14, three times
Walks.....	10, twice
Strikeouts.....	15, Western Kentucky (2/13)
2B	4, twice
3B	2, twice
HR.....	4, Bethune-Cookman (3/6)
RBIs.....	13, at North Florida (5/3)
Stolen Bases	4, three times
Total Bases.....	28, Bethune-Cookman (3/6)
Runners LOB.....	12, four times

DEFENSIVE

Runs.....	12, Notre Dame (3/15)
Earned Runs	9, Notre Dame (3/15)
Hits.....	9, four times
2B	3, twice
3B	1, four times
HR.....	3, twice
Walks.....	11, Auburn (3/25)
Strikeouts.....	14, four times
RBIs	9, Notre Dame (3/15)
SB	3, Virginia (4/18)
Wild Pitches.....	4, twice
Errors.....	4, three times
Double Plays	2, Virginia (4/18)

SLOW-MO? FAST MO!

Freshman Morgan Klaevemann has been key to Florida State's success this season. The centerfielder leads the team with 19 stolen bases, 69 hits and a .408 batting average. She is second with 43 runs scored and a .487 on-base percentage.

She had a career game against No. 7 Michigan on February 14 as she went 3-for-4 from the plate and scored a run.

In total, she has recorded six three-hit games this season, most recently against Dartmouth on May 15 where she in a 5-1 victory over the Big Green.

Klaevemann is also an impressive outfielder, making an amazing diving catch in centerfield on opening day to rob Georgia Southern's Emily Snider of a base hit in the top of the fourth inning.

LET'S GET IT STARTED!

Getting the leadoff runner on base is key to the Florida State success this season. The Noles have accomplished the feat 151 times this season.

Six different Seminoles reach base with at least a .400 average this season when leading off the inning - Alex Powers (.548), Maddie O'Brien (.488), Morgan Klaevemann (.489), Alex Kossoff (.462), Jessica Warren (.433) and Victoria Daddis (.417).

WALDROP A FINALIST

Senior Lacey Waldrop was chosen as one of 26 finalists for the USA Softball National Player of the Year award.

Waldrop is 28-6 with a 1.50 ERA and 225 strikeouts in 205.1 innings this season. She was named the Player of the Year in 2014 as Florida State became the only school to have multiple winners of the award - Jessica van der Linden (2004).

ACC PLAYERS OF THE WEEK

Senior pitcher Lacey Waldrop started off 2015 the way she ended 2014, as the best pitcher in the conference.

After an opening weekend where she went 2-0 with a 0.00 ERA, four walks and 24 strikeouts, including a win over No. 6 Kentucky, Waldrop was named the ACC Pitcher of the Week on February 9.

With another earned-run free weekend, Waldrop was named Pitcher of the Week on March 2 after 12.0 innings of work against Boston College, allowing four hits, one walk and 15 strikeouts.

Waldrop picked up her third award on March 9 after a nearly flawless week in the circle, tossing 12.0 innings and giving up two hits, zero runs and striking out 14.

The Chester, Va., native added another conference honor on Senior Weekend, posting two wins without allowing an earned run over 11.0 innings in a sweep of Virginia. She also went 1-for-3 with an RBI in the first plate appearances of her career.

Waldrop now has earned the weekly conference honor 16 times in her career. She set the single-season record in 2014 after being named ACC POW seven times.

Redshirt sophomore Alex Powers earned her first ACC Player of the Week honor on February 16 after helping FSU to two wins over No. 20 Nebraska.

Powers finished the week with two doubles, three home runs, nine RBI and a .941 slugging percentage.

2015 ACC PLAYERS OF THE WEEK

Feb. 9	Lacey Waldrop	Pitcher
Feb. 16	Alex Powers	Player
March 2	Lacey Waldrop	Pitcher
March 9	Lacey Waldrop	Pitcher
April 20	Lacey Waldrop	Pitcher

WONDERFUL WALDROP

Coming off an amazing 2014 campaign where she was USA Softball National Player of the Year, ACC Pitcher of the Year, NFCA First Team All-American, among many other honors, it can be difficult trying to replicate that success.

Lacey Waldrop has come back in 2015 just as strong, currently holding a 28-6 record with a 1.50 ERA and 225 strikeouts over 205.1 innings.

She posted her 108th career win on May 3 to set the Florida State record for victories, passing Leslie Malerich (1999-2002).

Waldrop also sits in the FSU All-Time Top 5 in four other categories - appearances (169 - 2nd), innings pitched (853.2 - 3rd), strikeouts (910 - 3rd) and saves (7 - 4th).

She also is climbing several ranks in ACC all-time pitching categories.

LACEY WALDROP RECORD WATCH

ACC Career Wins

1. Angela Tincher, VT	2005-08	123
2. Lacey Waldrop, FSU	2012-Pr.	109
Jessica Sallinger, GT	2002-05	109
4. Leslie Malerich, FSU	1999-02	107

ACC Career Strikeouts

1. Angela Tincher, VT	2005-08	2149
2. Jessica Sallinger, GT	2002-05	1398
3. Crystal Cox, UNC	2003-06	1205
4. Abbie Sims, NC State	2004-07	1091
5. Kelly Shipman, MD	1996-99	1037
6. Sarah Hamilton, FSU	2008-11	1005
7. Tiffany McDonald, FSU	2005-08	939
8. Lacey Waldrop, FSU	2012-Pr.	910
9. Jessica van der Linden, FSU	2001-04	899
10. Casey Hunter, FSU	2003-05	893

ACC Career Innings Pitched

1. Angela Tincher, VT	2005-08	1116.1
2. Crystal Cox, UNC	2003-06	1014.1
3. Jessica Sallinger, GT	2002-05	1008.2
4. Leslie Malerich, FSU	1999-02	988.2
5. Kelly Shipman, MD	1996-99	942.2
6. Tiffany McDonald, FSU	2005-08	898.1
7. Radara McHugh, UNC	1998-01	861.2
8. Lacey Waldrop, FSU	2012-Pr.	853.2
9. Abbie Sims, NC State	2004-07	836.2

20 ACC WINS

The Seminoles earned 20 conference wins for the second straight season in 2015.

Florida State is the only school to ever win at least 20 ACC games in one year as it set the conference record with 24 wins in 2014, surpassing Georgia Tech's 19 win total from 2010.

STARTING STRONG

Florida State has scored 41 runs in the first inning this season, plating at least one run in the first frame of 21 different games. The Seminoles are 21-0 in 2015 when scoring in the first inning.

LET ME ASSIST YOU!

Centerfielder Morgan Klaevemann had two game-saving outfield assists in Florida State's victory in game two of the doubleheader at Georgia Tech on April 25.

With FSU leading 3-2 in the sixth inning, GT had runners on 1st and 2nd with no outs as Samantha Pierannunzi hit a single up the middle. Klaevemann cleanly fielded the ball and fired home to retire Kelsey Chisolm at the plate to preserve the lead. FSU got out of the inning on a groundout and a strikeout.

In the bottom of the seventh inning, with the same 3-2 score, Georgia Tech had runners on the corners with one out when Morgan Taylor hit a fly ball to center. Klaevemann made the catch for out number two and tossed home to Macey Cheatham who tagged out Draven Sonnen for the game-ending double play.

She has added three other outfield assists as well, throwing out Nebraska's Stephanie Pasquale at the plate on Feb. 13, retiring ND's Karley Wester at second as she tried to stretch a single into a double on March 14 and gunning down NC State's Lana Van Dyken at the plate in the first inning of the ACC semifinal on May 8.

NCAA LEADERS

The Seminoles are one of the best programs in the country, on both a team and individual level. The team ranks tied for No. 7 with 18 triples, No. 10 in ERA (1.85), No. 12 in triples per game (0.30) and No. 14 in winning percentage (.800).

Eight different Noles rank in the Top 150 of the NCAA in 18 different categories as of May 19.

NCAA LEADERS

TEAM (as of May 19)

Category	Value	Rank
Earned Run Average	1.85	10
Scoring	5.47	67
Slugging Percentage	.456	88
Triples/Game	0.30	12
Triples	18	7
Win/Loss Pct.	.800	14

INDIVIDUAL (as of May 19)

Category	Player	Value	Rank
Batting Avg.	Morgan Klaevemann	.408	93
ERA	Lacey Waldrop	1.50	16
	Jessica Burroughs	2.15	53
HBP/Game	Jessica Warren	0.24	64
Hits/7 inn	Lacey Waldrop	4.09	9
	Jessica Burroughs	4.26	16
HR/Game	Jessica Warren	0.28	80
Home runs	Jessica Warren	16	50
	Maddie O'Brien	.507	74
On Base Pct.	Morgan Klaevemann	.485	135
	Jessica Warren	0.91	133
RBI/Game	Alex Powers	3	123
	Maddie O'Brien	3	123
Sac Flies	Ellie Cooper	3	123
	Macey Cheatham	0.20	93
Sac Hits/Gm	Jessica Burroughs	3	42
Saves	Jessica Burroughs	8	21
Shutouts	Jessica Burroughs	8	21
Slugging Pct.	Jessica Warren	.717	105
Strikeouts	Lacey Waldrop	225	30
	Jessica Burroughs	8.7	26
K/7 inn	Lacey Waldrop	7.7	51
	Lacey Waldrop	28	13
Victories	Lacey Waldrop	28	13
	Maddie O'Brien	1.20	2
Walks/Game	Alex Powers	0.92	9
	Maddie O'Brien	72	1
Walks	Alex Powers	55	6

ROAD WARRIORS

Florida State is 14-3 this season on the road, including three-game sweeps of ACC-foes No. 25 Virginia Tech and Georgia Tech.

Dating back to March 8, 2014, the Seminoles have won 27 of their last 31 true road games.

PITCHING PROWESS

The Seminole pitching staff has done a great job to shut down opposing offenses this season. Teams are batting a combined .170 off the FSU quartet of Lacey Waldrop, Jessica Burroughs, Bailey Schinella and Korina Rosario.

FSU leads the ACC in several pitching categories, including opposing batting average, ERA (1.85), strikeouts (453), saves (6), hits allowed (244), runs allowed (139) and earned runs allowed (106).

ENTIRE TEAM EFFORT

Whether from the top, middle or bottom of the lineup, the Seminoles have spread out the production at the plate so far in 2015. It challenges opposing teams when no spot of the lineup is an easy out.

Freshman Morgan Klaevemann leads the team with 69 hits, but there are seven players who have totaled at least 41 base hits this season.

Jessica Warren leads the team with 49 runs scored, but there are eight players on the team with at least 21 runs scored in 2015. In all, 15 different players have scored a run - 14 with at least eight runs - for Florida State this season.

WALK THIS WAY

One of the main reasons Florida State has returned to be one of the elite teams in college softball is their discipline at the plate.

In 2014, FSU led the nation with a +76 walk-to-strikeout ratio - drawing 318 walks while striking out 242 times. The Seminoles were one of just 16 schools to have a positive walk-to-strikeout ratio in 2014.

Already in 2015, FSU has walked 294 times and recorded just 248 strikeouts for a +46 walk-to-strikeout ratio.

HITS LIMITED BY DUO

Pitchers Lacey Waldrop and Jessica Burroughs, along with the defense that plays behind them, have not only kept runs off the board but have also done well to limit the amount of base hits to opposing batters.

Waldrop has allowed 120 hits in 205.1 innings for an average of 4.09 hits per seven innings, which ranks ninth in the nation. Burroughs sits No. 16 nationally in the category, giving up just 4.26 hits per seven innings (105 hits in 172.1 inn).

The pair of Seminoles are one of three sets of teammates that rank in the NCAA top 16 in the category, joining Mackenzie Audas (third - 3.37) and Shelby Turnier (sixth - 3.56) of UCF and Jaily Ford (10th - 4.10) and Megan Good (12th - 4.13) of James Madison.

YOU NEED TO EARN IT!

Florida State ended a streak of 33.1 consecutive innings without allowing an earned run on April 22 with an RBI groundout at Florida.

The Seminoles posted a streak of 44.1 innings without surrendering an earned run over the span of seven games from March 7-14 earlier this season.

HANGING WITH MS. COOPER

Sophomore infielder Ellie Cooper has been a reliable force for FSU this season. She has a .331 batting average with a .429 on-base percentage.

Her mix of infield singles and bunts, along with seven doubles and two triples makes her tough to get out. She has also been a great defender this season at second base.

NO HITS FOR YOU!

For the second time in their careers, seniors Lacey Waldrop and Bailey Schinella teamed up to throw a combined no-hitter against Georgia Southern on February 8.

Only five Eagle batters reached base on three walks and two hit-by-pitches, as the Seminoles recorded a 4-0 victory.

The Seminole pitching staff added two more no-hitters at the FAU Parents' Weekend Tournament, both against Coastal Carolina.

Lacey Waldrop struck out four and retired 15 of the 16 Coastal Carolina batters she faced on March 6 for her seventh career no-hitter.

Jessica Burroughs followed that with a 5.0-inning, seven-strikeout performance on March 8, allowing just one walk to the Chanticleers.

There have been 17 no-hitters at FSU since Lonni Alameda became the head coach.

NO-HITTERS UNDER ALAMEDA		
Pitcher	Opponent	Date
Sarah Hamilton	Indiana	2/21/09
Sarah Hamilton	at Boston College	5/2/09
Sarah Hamilton	Mississippi State	5/16/09
Sarah Hamilton	Hofstra	2/27/10
Sarah Hamilton	Kent State	2/28/10
Terese Gober	Boston College	3/27/10
Terese Gober	at South Alabama	4/21/10
Sarah Hamilton	Virginia	4/9/11
Lacey Waldrop	Ole Miss	2/12/12
Lacey Waldrop	Troy	3/3/13
Monica Perry	Tennessee State	3/13/13
Waldrop/Schinella	NDSU	2/15/14
Lacey Waldrop	at Virginia	3/9/14
Lacey Waldrop	Florida A&M	3/26/14
Waldrop/Schinella	Georgia Southern	2/8/15
Lacey Waldrop	Coastal Carolina	3/6/15
Jessica Burroughs	Coastal Carolina	3/8/15

ACC CONTROL

The Seminoles opened the 2015 conference season with five wins on a three-game sweep of Boston College on February 28 and March 1, as well as winning both games of a doubleheader versus Notre Dame on March 14.

With a loss on March 15 to Notre Dame, FSU ended a streak of 14

consecutive regular season wins in the ACC, dating back to April 13, 2014 at Notre Dame.

In their first road ACC series of the season, the Seminoles swept No. 25 Virginia Tech in Blacksburg, Va., including two extra-inning victories.

The Noles swept Virginia with a trio of run-rule victories on April 18-19 and each of the last five games against the Cavaliers have been run-rule wins.

FSU closed out its third-straight regular season ACC Championship with a three-game sweep at Georgia Tech on April 25-26.

Florida State is 22-0-3 in its last 25 conference series, including 17 sweeps. The Seminoles last lost a conference series at Maryland on May 5-6, 2012.

CLOSE CALLS TO TOP TEAMS

Florida State has lost 12 games so far in 2015 - eight to top-20 teams - and the Seminoles were defeated by a total of 18 runs against those ranked teams.

Against No. 6 Kentucky, the Wildcats scored three unearned runs in the top of the sixth and held on for a 3-1 win.

In a pair of one-run losses to No. 7 Michigan, the Noles had the winning run on base in the seventh inning, but were unable to push them across.

Versus No. 20 Cal at the Mary Nutter Classic, the Seminoles held a 6-0 lead in the seventh inning, but a late rally by the Golden Bears gave them a 7-6 victory.

The Noles earned a 10-7 game one victory over No. 9 Auburn before dropping game two, 10-4, on March 25.

In the first game of the home-and-home series with No. 3 Florida, the Gators were able to post a 5-1 win. In game two at No. 1 Florida, UF took a 5-0 victory.

SEMINOLE WALK-OFFS

Florida State has posted 10 wins this season during its final time at the plate.

Freshman Jessica Warren has done the honor four times, as her two-run home run on opening day against Georgia Southern helped seal the 8-0 victory in six innings.

Warren added a 10th-inning, bases-loaded walk against South Carolina on February 19 and then on March 14 hit three-run home run to left to end the game vs. Notre Dame as FSU won 4-1.

Maddie O'Brien closed out a 2-1 win for FSU versus Hofstra on March 7 as she hit a single to right in the seventh.

Ellie Cooper clinched an 8-0 run-rule victory for Florida State, ending the game against Colgate on March 17 with a two-run double to left center in the bottom of the fifth inning.

Victoria Daddis smashed a grand slam in the bottom of the sixth inning to post an 11-0 victory over FAMU (4/1).

Each game of FSU's sweep of Virginia ended in the Seminoles' half of the inning as RBI singles by Rylan Harvey and Jessica Warren, along with a three-run double by Victoria East gave the Noles the requisite eight-run advantage for a run-rule victory. FSU won 9-1 in six innings in game one and ended the series with a pair of 8-0, five-inning wins.

Alex Powers completed the dramatic come-from-behind win against UCF on May 16 with an RBI triple to right field to win. FSU entered the seventh trailing 1-0, but O'Brien's HR tied it at 1-1 and Powers' triple won it.

2015 WALKOFFS

Date	Player	Result
2/7 (GSU)	Jessica Warren	2-Run HR
2/19 (S.C.)	Jessica Warren	Bases-loaded BB
3/7 (Hofstra)	Maddie O'Brien	Bases-loaded 1B
3/14 (ND)	Jessica Warren	3-Run HR
3/17 (Colgate)	Ellie Cooper	2-Run Double
4/1 (FAMU)	Victoria Daddis	Grand Slam
4/18 (UVa)	Victoria East	3-run Double
4/18 (UVa)	Rylan Harvey	RBI single
4/19 (UVa)	Jessica Warren	RBI single
5/16 (UCF)	Alex Powers	RBI triple

POW-POW-POWERS!

After redshirting the 2013 season, and coming of the bench in pinch hit roles in 2014 after multiple knee injuries, first baseman Alex Powers is finally able to play full-time for Florida State and is playing impressively.

She leads the team with 13 doubles and is second with 45 RBI and 55 walks. Her nine home runs are third-best on the team.

Her 55 walks also ranks second in the conference and is sixth in the NCAA this season.

Powers hit the first home run of her career in her first at-bat at Florida A&M on February 10 and hit a second one in the top of the seventh inning as FSU earned a 12-5 victory over the Rattlers.

She drove in a career-high five RBI at Florida Atlantic on March 10 with a grand slam and a sacrifice fly.

She matched her career-high with two home runs against No. 9 Auburn, with a grand slam in the second inning and a two-run shot in the fourth as the Seminoles went on to win, 10-7.

She reached base in nine of 10 plate appearances at the 2015 ACC Championship on May 7-9, hitting a double and two singles along with six walks.

BLAZING BURROUGHS

Jessica Burroughs has been a strikeout machine in the circle for Florida State this season. She has posted 214 strikeouts in 172.1 innings on the season and registered back-to-back 13-strikeout performances against Colgate (3/17) and Troy (3/8).

Burroughs has posted three strikeouts in the first inning six times this season - No. 6 Kentucky (2/8), Florida A&M (2/10), Hofstra (3/7), Colgate (3/18), RV Pitt (3/28) and Florida A&M (4/1).

In all, Burroughs has had 23 different innings where she recorded all three outs via the strikeout.

JB BACK IN THE CIRCLE

Redshirt sophomore pitcher Jessica Burroughs has registered a solid 2015 season with an 18-5 record, 2.15 ERA with 214 strikeouts in 172.1 innings pitched. She has allowed 105 hits, 61 walks and 53 earned runs over 37 appearances.

She tossed the first no-hitter of her career on March 8 versus Coastal Carolina, registering seven strikeouts and one walk in the 5.0-inning victory.

Burroughs recorded a career-high 14 strikeouts against No. 6 Kentucky on February 8. She matched that output on April 1 against Florida A&M.

She looks to continue to be one of the top pitchers in the country after finishing as a Top 25 finalist for the 2014 NFCA Freshman of the year, as well as being named to the All-ACC Second Team in both 2014 and 2015.

RALLY ON THE ROAD

The Seminoles came from behind to win all three games at No. 25 Virginia Tech and in each game of the doubleheader on March 21 FSU scored enough runs in the top of the seventh to force extra innings and won it in the eighth.

In game one, FSU trailed 3-2 entering the seventh, but a one-out RBI double by Victoria Daddis tied the game. The Seminoles scored four runs in the top of the eighth, two on bases-loaded hit-by-pitches, and held on for a 7-5 win.

In game two, the Seminoles trailed 6-2 as they came to the plate in the top of the seventh. Alex Kossoff led off with a bunt single and three straight singles from Morgan Klaevemann, Maddie O'Brien and Alex Powers cut the lead to 6-3. Bailey Schinella added a RBI groundout to make it 6-4 with two outs in the inning.

Ellie Cooper followed with a two-run double to left center to tie the game and force extra innings. In the top of the eighth, Jessica Warren hit a solo home run as the Seminoles would go on to win, 7-6.

In game three, Florida State trailed 1-0 in the top of the sixth before plating four runs on a bases loaded BB to O'Brien, an RBI single by Cooper and a two-run 2B by Daddis. The Noles went on to win 5-2, completing the sweep.

COME FROM BEHIND WINS

Fighting until the final out is a staple of the Florida State softball program, and the Seminoles have already posted 17 come-from-behind wins in 2015.

2015 COME FROM BEHIND WINS

At Florida A&M - February 10

Trailed 5-2..... Won 12-5

Western Kentucky - February 13

Trailed 1-0..... Won 2-1

Nebraska - February 15

Trailed 1-0..... Won 3-2

Vs. South Carolina - February 19

Trailed 2-0 and 3-2..... Won 4-3 in 10 inn

Boston College - February 28

Trailed 1-0..... Won 2-1

Boston College - March 1

Trailed 1-0..... Won 5-1

Vs. Hofstra - March 7

Trailed 1-0..... Won 2-1

Notre Dame - March 14

Trailed 1-0..... Won 4-1

At Virginia Tech - March 21

Trailed 2-0 and 3-2..... Won 7-5 in 8 inn

At Virginia Tech - March 21

Trailed 6-2..... Won 7-6 in 8 inn

At Virginia Tech - March 22

Trailed 1-0..... Won 5-2

Auburn - March 25

Trailed 3-0..... Won 10-7

At NC State - April 3

Trailed 5-4..... Won 6-4

At NC State - April 3

Trailed 1-0..... Won 10-1 in 6 inn

At Georgia Tech - April 25

Trailed 1-0..... Won 2-1 in 8 inn

At Georgia State - April 27

Trailed 1-0..... Won 6-3

Vs. NC State - ACC Semifinal - May 8

Trailed 3-0..... Won 11-4

UCF - May 16

Trailed 1-0..... Won 2-1

DADDIS IS THE BADDEST

Sophomore utility player Victoria Daddis had the best week of her career from March 17-22. In five games, she batted .600 with three doubles, seven RBI and a .900 slugging percentage.

She had a pinch-hit, three-run double on March 17 against Colgate, added a game-tying, pinch-hit RBI double in the seventh inning on March 21 at No. 25 Virginia Tech and gave FSU the lead on Sunday against the Hokies with a two-run double in the sixth.

1-2-3 GO!

To prepare for the pressure of the postseason, the Seminoles have scheduled numerous ranked teams in the first month of the 2015 season. In fact, the amount of ranked teams faced per weekend increased each time.

In the season-opening Renegade Classic, No. 6 Kentucky came to Tallahassee. The next weekend, No. 7 Michigan and No. 20 Nebraska participated in the Unconquered Invitational.

The following weekend, the Seminoles faced three ranked teams out in California - No. 13 Tennessee, No. 20 Cal and No. 12 UCLA.

SENIOR SCHINELLA

Bailey Schinella has been consistent in everything she has done for Florida State this season. She has 42 hits this season, along with 24 runs and 33 RBI.

She hit a grand slam in her first at-bat against Georgia Southern on February 8 and ended out closing the game in the circle with 1.0 innings of scoreless pitching with one strikeout to record a combined no-hitter with starter Lacey Waldrop. It was Schinella's second combined no-hitter of her career.

Schinella also secured the Seminole victory over No. 20 Nebraska on February 15, entering the game to pitch with the bases loaded and one out in the Nebraska sixth inning.

FSU had a 3-2 lead and Schinella induced a pop out and a strikeout to end the inning and retired all three batters she faced in the seventh to earn her fifth career save.

She drove in an RBI in three straight plate appearances against Coastal Carolina on March 8 with a single, fielder's choice and bases-loaded walk.

Schinella was great for the Noles in game one of the doubleheader at NC State on April 3, driving in two RBI at the plate. She also held the lead in the circle, tossing 2.0 shutout innings and allowing just one base hit as the Noles held on to win 6-5.

BACK-TO-BACK JACKS

Alex Powers and Bailey Schinella hit consecutive home runs in the fourth inning versus Bethune-Cookman on March 6.

It marked the first time that the Seminoles had hit back-to-back home runs since Briana Hamilton and Corey Hendrickson accomplished the feat on April 5, 2014 versus Maryland.

Alex Powers hit the first home run of back-to-back HRs against Auburn on March 25. Her grand slam in the second inning gave the Seminoles a 6-3 lead. Victoria Daddis followed a batter later with her first career home run down the left field line.

AK IS OK!

Junior outfielder Alex Kossoff has turned into an offensive threat with her slapping and speed.

She currently has a .309 batting average, with many of her 47 hits on the season staying in the infield. She can also drive the ball as she has two doubles and three triples this season.

Kossoff posted 12-game hitting streak this season, recording at least one base hit from March 17 to April 3.

A solid outfielder, Kossoff helped end the game against Boston College with a double play on a fly out to left field and recorded her first outfield assist by retiring the runner trying to tag and go to third.

Kossoff also showed off the glove in the series at NC State on April 3-4. In game one of the doubleheader on April 3, she robbed a home run in the second inning. She followed that with another home-run-robbing grab in the final game of the series in the sixth inning.

TAKING DOWN RANKED FOES

Florida State has already recorded eight wins over ranked teams during the 2015 season. The Noles took down No. 6 Kentucky on February 7 and earned wins over No. 20 Nebraska on February 13 and 15.

At the Mary Nutter Classic in Palm Springs, Calif., FSU defeated No. 12 UCLA by a score of 5-1.

The Seminoles also swept the series at No. 25 Virginia Tech on March 21-22.

FSU came back from a 3-0 deficit to defeat No. 9 Auburn, 10-7, on March 25.

The Noles took two wins over No. 13 UCF to clinch the NCAA Tallahassee Regional on May 16-17.

Florida State has 36 wins over ranked opponents under head coach Lonni Alameda since 2009, including eight ranked wins in 2014.

RANKED WINS UNDER ALAMEDA

Date	Opponent	Score
2/22/09	No. 4 Michigan	6-5
2/7/15	No. 6 Kentucky	3-2
4/2/14	at No. 6 Florida	3-2 (8)
4/24/10	No. 6 Georgia Tech	6-2
3/24/10	No. 7 Georgia	4-3
3/25/15	No. 9 Auburn	10-7
2/9/14	vs. No. 9 Nebraska	5-1
3/2/14	at No. 11 Alabama	5-1
2/21/15	vs. No. 12 UCLA	5-1
5/17/15	No. 13 UCF	5-0
5/16/15	No. 13 UCF	2-1
5/23/14	No. 13 Michigan	4-2
5/23/14	No. 13 Michigan	6-0
5/19/12	No. 14 UCLA	2-1
3/14/09	No. 14 North Carolina	4-1
5/19/13	at No. 15 South Alabama	7-6 (8)
5/18/13	at No. 15 South Alabama	2-1
3/10/09	No. 15 North Carolina	4-1
3/10/09	No. 15 North Carolina	6-2
5/8/11	No. 17 Georgia Tech	9-4
3/13/10	No. 18 North Carolina	2-1
2/15/15	No. 20 Nebraska	3-2
2/13/15	No. 20 Nebraska	4-1
5/10/14	vs. No. 20 Notre Dame	3-1
4/13/14	at No. 23 Notre Dame	9-7 (9)
4/18/12	No. 23 LSU	8-1
4/1/12	No. 23 North Carolina	8-3
4/2/12	No. 23 North Carolina	3-1
2/19/11	No. 24 Kentucky	2-0
2/26/14	at No. 25 Auburn	5-4
3/21/15	at No. 25 Virginia Tech	7-5 (8)
3/21/15	at No. 25 Virginia Tech	7-6 (8)
3/22/15	at No. 25 Virginia Tech	5-2
2/16/13	No. 25 Hofstra	9-1 (6)
2/16/13	No. 25 Hofstra	4-0
2/24/11	No. 25 BYU	6-4

GOING STREAKING

Freshman third baseman Jessica Warren posted an eight game hitting streak from February 15 to February 28. She also recorded a 15-game steak of reaching base from February 15 to March 10.

Fellow freshman Morgan Klaevemann has hit safely in her last 26 games, dating back to March 25.

Klaevemann is also currently on a 32-game streak of reaching base, passing Maddie O'Brien's 23-game streak from February 19 to March 25.

Lacey Waldrop recorded a stretch of 30.2 scoreless innings from March 1 to March 14. She also held a streak of 47.2 innings without allowing an earned run, dating from February 21 (UCLA) to March 21 (Virginia Tech).

As a team, Florida State did not allow an earned run over a span of 44.1 consecutive innings from March 7 to March 14.

OPENING EXCITEMENT

Freshman Jessica Warren made the most of her first day playing collegiate softball in games against Georgia Southern and No. 6 Kentucky.

In her first game against GSU, she went 2-for-3 with a home run, three runs scored and two RBI.

She performed even better later that day versus the No. 6 Wildcats, batting 3-for-4 with two doubles, one home run and two RBI.

ACC FAVORITE

For the second straight season, Florida State was chosen as the preseason favorite to win the Atlantic Coast Conference softball regular season, as voted by the league's 11 head coaches. The Noles received 100 points and 10 first-place votes as coaches could not vote for their own team.

2015 NPF DRAFT

On April 1, Lacey Waldrop and Maddie O'Brien became the second and third FSU players, respectively, to be drafted into the National Pro Fastpitch league.

Waldrop was selected in the first round (No. 3 overall) by the Chicago Bandits, while O'Brien went in the second round to the PA Rebellion (No. 9 overall).

The duo joined Carly Wynn, who was selected No. 14 overall in 2010 by the Tennessee Diamonds, as the only players from Florida State to be drafted by teams in the NPF.

Assistant coach Travis Wilson will also participate in the NPF this summer as a member of the USSSA Pride coaching staff.

SENIOR CLASS AWARD

Lacey Waldrop was named one of 30 candidates for the Senior CLASS Award on March 5 and earned a spot as one of the 10 finalists on April 7.

An acronym for Celebrating Loyalty and Achievement for Staying in School®, the Senior CLASS Award focuses on the total student-athlete and encourages students to use their platform in athletics to make a positive impact as leaders in their communities.

Ballots will be distributed through a nationwide voting system to media, coaches and fans, who will select one candidate who best exemplifies excellence in the four Cs of community, classroom, character and competition.

TOUGH COMPETITION

Florida State put together one of the toughest schedules in the country, as eight of their 29 opponents entered the 2015 season ranked in the preseason polls.

During the regular season the Seminoles hosted No. 6 Kentucky, No. 8 Michigan, No. 18 Nebraska, No. 20 Auburn, No. 22 Notre Dame at JoAnne Graf Field. FSU will played a home-and-home series with No. 1 Florida and faced No. 7 UCLA and No. 13 Tennessee at the Mary Nutter Classic in Palm Springs, Calif.

In all, over half of FSU's opponents (15-of-29) and games (29-of-56) were against teams that received votes in the preseason polls.

PRESEASON RANKINGS

The Seminoles entered the 2015 season ranked No. 5 in both the NFCA/USA Today and the ESPN.com/USA Softball polls. It is the highest preseason rank in either poll in Florida State history.

The Noles were ranked as high as No. 3 in both polls in 2014 before finishing with a No. 7 ranking after their appearance at the Women's College World Series.

WATCH OUT!

After earning NFCA First Team All-America honors in 2014, seniors Lacey Waldrop and Maddie O'Brien were both named to the Top 50 Watch List for the 2015 USA Softball Collegiate Player of the Year award.

Waldrop won the award in 2014 after leading the NCAA with 38 wins and finished third nationally with a 1.13 ERA. O'Brien was a top-10 finalist for the award in 2014, leading the country with 83 RBI and ranking second in both home runs (24) and slugging percentage (.942).

PRESEASON ALL-AMERICANS

FSU was well represented on espnW's 2015 Preseason All-American teams as Lacey Waldrop earned a spot as a First Team pitcher, while shortstop Maddie O'Brien was placed on the Second Team.

RECORD-BREAKING 2014

The Seminoles posted one of the greatest offensive seasons in Florida State history in 2014, setting single-season records for home runs (65), walks (318), runs scored (400) and RBI (363). The 2014 squad also finished in the top three all-time in doubles (90) and batting average (.304).

PASSING THE TORCH

The Noles lost 10 players from last year's team and have welcomed in seven newcomers to continue the strong softball tradition at Florida State.

Korina Rosario and Meghan King finished first and second, respectively, in the 2014 Florida Miss Softball voting as each led their high school team to a state title last year.

Morgan Klaevemann (Refugio, Texas) and Jessica Warren (Tampa, Fla.) will be among the starting lineup as Klaevemann is a speedy outfielder and Warren is a powerful offensive threat with impressive defensive skills.

Freshmen Katie Baker and Megan McReynolds, as well as redshirt freshman Rylan Harvey round out a group that will help the team in numerous ways in their first year of collegiate softball.



2015 NCAA Division I SOFTBALL CHAMPIONSHIP

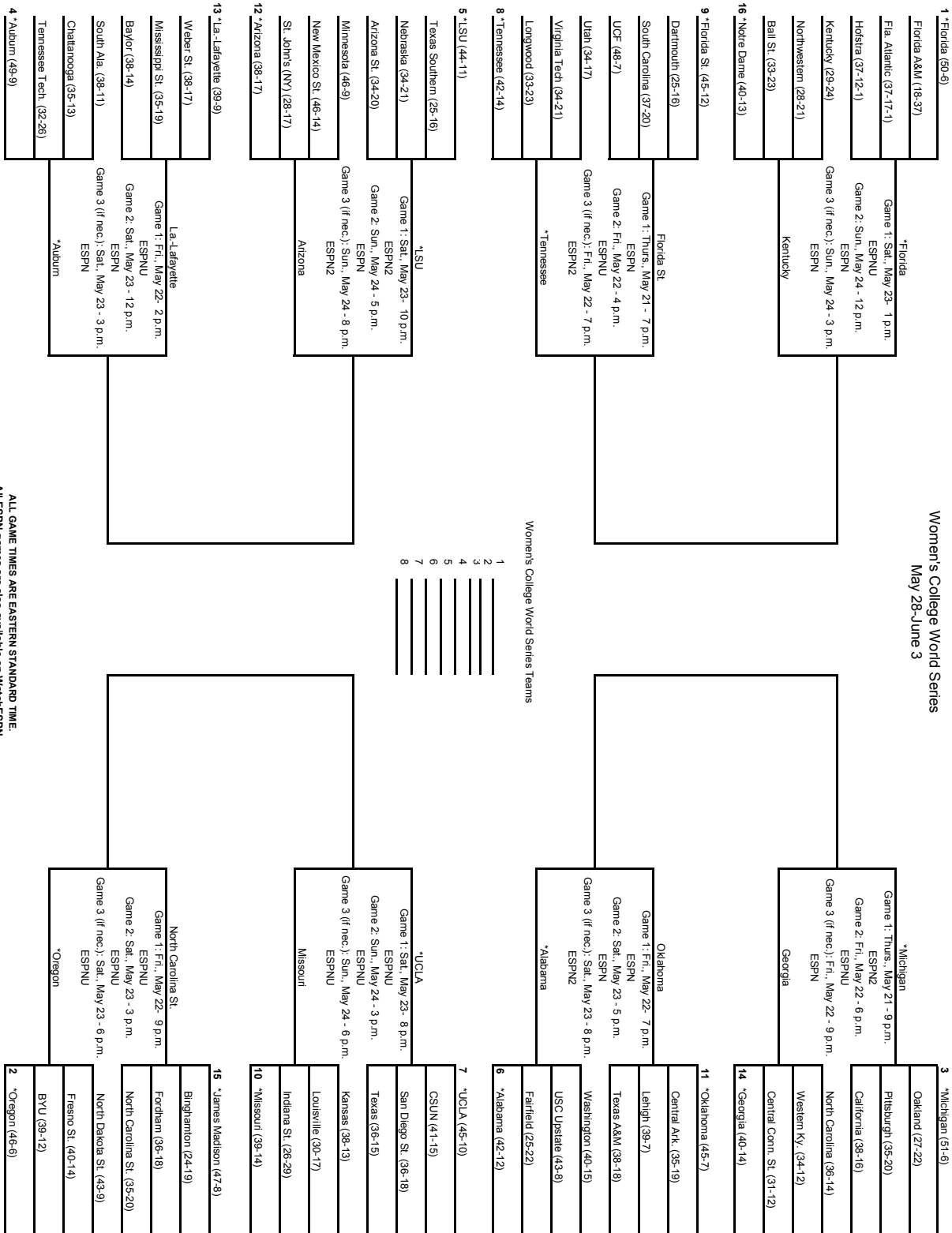
REGIONALS
May 15-17

SUPER REGIONALS
May 21-24

SUPER REGIONALS
May 21-24

REGIONALS
May 15-17

Women's College World Series May 28-June 3



ALL GAME TIMES ARE EASTERN STANDARD TIME.
All ESPN games are also available on WatchESPN.

LAST TIME IT HAPPENED

TEAM

Defeated a top-five team.....	vs. No. 4 Michigan (6-5), Feb. 22, 2009
Defeated a top-10 team	vs. No. 9 Auburn (10-7), March 25, 2015
Defeated a top-25 team	vs. No. 13 UCF - NCAA Regional (5-0), May 17, 2015
Won when trailing after six innings.....	vs. No. 13 UCF - NCAA Regional (2-1), May 16, 2015
Lost when leading after six innings	vs. Troy (4-6 in 8 inn), March 18, 2015
Scored 10-15 runs	vs. NC State (11), May 8, 2015
Scored 15-20 runs	at North Florida (15), May 3, 2015
Scored 20 or more runs.....	vs. Bethune-Cookman (20), Feb. 10, 2013
Allowed 5-10 runs.....	vs. No. 1 Florida (5), April 22, 2015
Allowed 10-15 runs.....	vs. No. 9 Auburn (10), March 25, 2015
Allowed 15 or more runs	vs. No. 13 Michigan - NCAA Super Regional (17), May 22, 2014
Recorded 10-15 hits	vs. Dartmouth - NCAA Regional (10), May 15, 2015
Recorded 15 or more hits	at No. 23 Notre Dame (15), April 13, 2014
Hit five or more doubles	at Pitt (6), April 16, 2014
Hit two or more triples.....	vs. Virginia (2), April 19, 2015
Hit four or more home runs	vs. Bethune-Cookman (4), March 6, 2015
Hit back-to-back home runs.....	vs. No. 9 Auburn (Alex Powers and Victoria Daddis - 2nd inning), March 25, 2015
Stole six or more bases.....	vs. Wisconsin (7), March 6, 2011
Drew 10 or more walks.....	vs. Boston College (10), March 1, 2015
Shutout a team	vs. No. 13 UCF - NCAA Regional (5-0), May 17, 2015
Was shutout	at No. 1 Florida (5-0), April 22, 2015
Pitched a no-hitter.....	vs. Coastal Carolina (Jessica Burroughs), March 8, 2015
Was no-hit	vs. Notre Dame (Rachel Nasland), March 15, 2015

INDIVIDUAL

Recorded five or more at bats	Morgan Klaevemann at Louisville (5), April 12, 2015
Scored four or more runs in a game	Tiffani Brown, vs. Saint Mary's (4), Feb. 8, 2014
Had four or more hits in a game	Morgan Bullock, vs. North Carolina (4), March 22, 2013
Had at least a 10-game hitting streak	Morgan Klaevemann (26), March 25 to Present, 2015
Had at least a 15-game hitting streak	Morgan Klaevemann (26), March 25 to Present, 2015
Hit two or more doubles in a game	Victoria East (2) vs. Coastal Carolina, March 6, 2015
Hit two or more triples in a game	Morgan Klaevemann (2) vs. Virginia, April 19, 2015
Hit two or more home runs in a game.....	Maddie O'Brien (three-run, solo) at North Florida, May 3, 2015
Hit a grand slam	Victoria Daddis, vs. Florida A&M, April 1, 2015
Hit for the cycle	Ashley Stager, vs. Virginia, May 1, 2010
Hit a walk-off home run.....	Jessica Warren (3-run), vs. Notre Dame, March 14, 2015
Stole home.....	Michelle Snyder vs. Memphis, Feb. 17, 2007
Stole three bases in a game	Tiffani Brown, vs. Southern Miss, Feb. 16, 2014
Stole four bases or more in a game	Whitney Buckmon (4), UAB, Feb 17, 2008
Drew three walks in a game.....	Alex Powers, vs. Boston College, May 7, 2015
Drew four or more walks in a game	Jessica Warren (4) vs. No. 13 UCF - NCAA Regional, May 16, 2015
Was hit by at least two pitches in a game.....	Jessica Warren (3), at NC State, April 3, 2015
Recorded five RBIs in a game.....	Maddie O'Brien, at North Florida, May 3, 2015
Recorded six or more RBIs in a game	Alex Powers (6), vs. No. 9 Auburn, March 25, 2015
Two players had four or more RBI in a game	Courtney Senas (4) and Maddie O'Brien (5), vs. Saint Mary's, Feb. 8, 2014
First career hit was a home run	Lauren Harris, vs. UC Santa Barbara, Feb. 22, 2014
Pitched a no-hitter.....	Jessica Burroughs, vs. Coastal Carolina, March 8, 2015
Pitched a perfect game.....	Casey Hunter, vs. St. Joseph's (W 14-0), March 13, 2004
Had 10 or more strikeouts.....	Jessica Burroughs (12), vs. Virginia, April 18, 2015
Had 15 or more strikeouts	Lacey Waldrop (18), at Florida, March 27, 2013
Won 10 consecutive decisions.....	Lacey Waldrop (16), February 20 to April 3, 2015
Won 15 or more consecutive decisions	Lacey Waldrop (16), February 20 to April 3, 2015

ALL-TIME TOP 10

BATTING RECORDS

GAMES

1. Kristy Hull	281	1995-98
2. Brandi Stuart	280	2000-03
3. Tami Post	277	1996-99
4. Veronica Wootson	273	2004-07
5. Kimmy Carter	272	1999-02
Jessica van der Linden	272	2001-04
7. Myssi Calkins	271	1994-97
8. Jesse McGregor	267	1996-99
9. Natasha Jacob	264	2003-06
10. Shamalene Wilson	262	1993-96

BATTING AVERAGE

1. Shamalene Wilson	.366	1993-96
Danielle Cox	.366	1998-99
3. Jessica van der Linden	.361	2001-04
4. Cindy Lawton	.358	1994-95
5. Brandi Stuart	.357	2000-03
6. Tiffany Daniels	.356	1986-89
7. Carly Wynn	.355	2007-10
8. Staci Brandon	.351	2000-01
Serita Brooks	.351	2000-01
10. Natasha Jacob	.341	2003-06

RUNS

1. Shamalene Wilson	223	1993-96
2. Tiffani Brown	207	2010-14
3. Veronica Wootson	199	2004-07
4. Brandi Stuart	196	2000-03
5. Courtney Senas	180	2011-14
6. Susan Buttery	170	1990-93
7. Myssi Calkins	166	1994-97
8. Carly Wynn	165	2007-10
9. Maddie O'Brien	157	2012-Pr.
10. Jessica van der Linden	155	2001-04
Kristy Hull	155	1995-98

HITS

1. Shamalene Wilson	310	1993-96
2. Brandi Stuart	287	2000-03
3. Tiffani Brown	285	2010-14
4. Veronica Wootson	282	2004-07
5. Jessica van der Linden	277	2001-04
6. Natasha Jacob	271	2003-06
7. Kristy Hull	265	1995-98
8. Myssi Calkins	253	1994-97
9. Carly Wynn	247	2007-10
10. Susan Buttery	245	1990-93

DOUBLES

1. Jessica van der Linden	50	2001-04
2. Carly Wynn	45	2007-10
3. Maddie O'Brien	41	2012-Pr.
Veronica Wootson	41	2004-07
5. Brandi Stuart	39	2000-03
6. Corrie Williams	38	1996-99
7. Courtney Senas	37	2011-14
8. Yuruby Alicart	36	2006-07
9. Wendy Braye	35	1994-97
10. Leslie Palmer	33	2003-05

TRIPLES

1. Shamalene Wilson	30	1993-96
2. Tiffani Brown	22	2010-14
Veronica Wootson	22	2004-07
4. Tiffany Daniels	21	1986-89
5. Lisa Davidson	19	1991-94
6. Kimmy Carter	18	1999-02
7. Jessica van der Linden	17	2001-04
Brandi Stuart	17	2000-03
Leslie Barton	17	1990-93
10. Susan Buttery	16	1990-93

HOME RUNS

1. Maddie O'Brien	55	2012-Pr.
2. Courtney Senas	36	2011-14
3. Veronica Wootson	29	2004-07
4. Briana Hamilton	28	2011-14
5. Yuruby Alicart	26	2006-07
6. Brandi Stuart	25	2000-03
7. Tiffany Daniels	24	1986-89
8. Ashley Stager	23	2008-11
9. Carly Wynn	20	2007-10
10. Lisa Davidson	19	1991-94
-- Jessica Warren	16	2015-Pr.

RBI

1. Maddie O'Brien	216	2012-Pr.
2. Jessica van der Linden	161	2001-04
3. Courtney Senas	158	2011-14
4. Brandi Stuart	151	2000-03
5. Veronica Wootson	137	2004-07
6. Kimmy Carter	136	1999-02
7. Leslie Barton	131	1990-93
8. Robin Ahrberg	117	2007-11
Ashley Stager	117	2008-11
10. Kristy Hull	114	1995-98
Lisa Davidson	114	1991-94

STOLEN BASES

1. Myssi Calkins	185	1994-97
2. Brandi Stuart	162	2000-03
3. Shamalene Wilson	161	1993-96
4. Tiffani Brown	109	2010-14
5. Serita Brooks	97	2000-01
6. Danielle Cox	93	1998-99
7. Veronica Wootson	79	2004-07
8. Courtney Senas	69	2011-14
Natasha Jacob	69	2003-06
10. Leslie Barton	66	1990-93

WALKS

1. Maddie O'Brien	197	2012-Pr.
2. Jessica van der Linden	144	2001-04
3. Brandi Stuart	133	2000-03
4. Lisa Davidson	114	1991-94
5. Ashley Stager	113	2008-11
6. Carly Wynn	103	2007-10
7. Courtney Senas	98	2011-14
8. Tiffany Daniels	92	1986-89
9. Kimmy Carter	88	1999-02
10. Tatiana George	87	2002-05

SLUGGING PERCENTAGE

1. Maddie O'Brien	.652	2012-Pr.
2. Yuruby Alicart	.622	2006-07
3. Tiffany Daniels	.592	1986-89
4. Courtney Senas	.547	2011-14
5. Carly Wynn	.543	2007-10
6. Brandi Stuart	.540	2000-03
7. Shamalene Wilson	.521	1993-96
8. Veronica Wootson	.519	2004-07
9. Lisa Davidson	.501	1991-94
10. Cindy Lawton	.496	1994-95

PITCHING RECORDS

APPEARANCES

1. Leslie Malerich	179	1999-02
2. Lacey Waldrop	169	2012-Pr.
3. Tiffany McDonald	163	2005-08
4. Sarah Hamilton	149	2008-11
5. Terese Gober	141	2007-10
6. Casey Hunter	137	2002-05
7. Jen White-Cody	135	1998-01
8. Kristy Fuentes	125	1994-97
9. Debbie DeJohn	121	1987-90
10. Julie Larsen	113	1985-88

INNINGS PITCHED

1. Leslie Malerich	988.2	1999-02
2. Tiffany McDonald	898.1	2005-08
3. Lacey Waldrop	853.2	2012-Pr.
4. Debbie DeJohn	798.0	1987-90
5. Casey Hunter	759.1	2002-05
6. Julie Larsen	759.0	1985-88
7. Jen White-Cody	756.1	1998-01
8. Sarah Hamilton	704.2	2008-11
9. Kristy Fuentes	698.1	1994-97
10. Jessica van der Linden	690.0	2001-04

WINS

1. Lacey Waldrop	109	2012-Pr.
2. Leslie Malerich	107	1999-02
3. Debbie DeJohn	90	1987-90
4. Casey Hunter	85	2002-05
Julie Larsen	85	1985-88
6. Tiffany McDonald	79	2005-08
7. Christy Larsen	77	1988-91
8. Jessica van der Linden	76	2001-04
9. Jen White-Cody	74	1998-01
Toni Gutierrez	74	1990-93

STRIKEOUTS

1. Sarah Hamilton	1,005	2008-11
2. Tiffany McDonald	939	2005-08
3. Lacey Waldrop	910	2012-Pr.
4. Jessica van der Linden	899	2001-04
5. Casey Hunter	893	2002-05
6. Julie Larsen	834	1985-88
7. Christy Larsen	758	1988-91
8. Leslie Malerich	751	1999-02
9. Terese Gober	692	2007-10
10. Toni Gutierrez	648	1990-93

EARNED RUN AVERAGE

(MINIMUM 300 IP)

1. Shelley Berube	0.38	1984-85
2. Toni Gutierrez	0.47	1990-93
3. Tina Kyler	0.50	1984-85
4. Julie Larsen	0.68	1985-88
5. Debbie DeJohn	0.69	1987-90
6. Marla Looper	0.78	1993-94
7. Rebecca Aase	0.84	1991-94
8. Jessica van der Linden	0.96	2001-04
9. Christy Larsen	0.98	1988-91
10. Renee Espinoza	1.06	1995-96

SHUTOUTS

1. Christy Larsen	52	1988-91
2. Toni Gutierrez	51	1990-93
3. Julie Larsen	50	1985-88
4. Leslie Malerich	45	1999-02
5. Rebecca Aase	43	1991-94
Debbie DeJohn	43	1987-90
7. Jessica van der Linden	39	2001-04
8. Casey Hunter	36	2002-05
9. Kristy Fuentes	35	1994-97
10. Tina Kyler	30	1984-85

-- **Lacey Waldrop** **25** **2012-Pr.**

SAVES

1. Jessica Nori	9	2011-14
2. Sarah Hamilton	8	2008-11
Tiffany McDonald	8	2005-07
4. Lacey Waldrop	7	2012-Pr.
Casey Hunter	7	2002-05
6. Leslie Malerich	6	1999-02
7. Bailey Schinella	5	2012-Pr.
8. Jessica Burroughs	4	2014-Pr.
Jessica van der Linden	4	2001-04
Marla Looper	4	1993-94

FIELDING RECORDS

ASSISTS

1. Tami Post	591	1996-99
2. Jesse McGregor	523	1996-99
3. Shannan Mitchem	451	1989-92
4. Brandi Stuart	444	2000-03
5. Veronica Wootson	422	2004-07
6. Maddie O'Brien	403	2012-Pr.
Penny Siqueiros	403	1989-92
8. Tiffani Brown	391	2010-14
9. Laurie Shepard	387	1992-95
10. Briana Hamilton	361	2011-14

PUTOUTS

1. Lori Crouse	1260	1986-89
2. Wendy Braye	1209	1994-97
3. Brittany Osmon	1203	2005-08
4. Julie Rice	1169	1988-91
5. Corrie Williams	1149	1996-99
6. Beth Wade	1117	2001-04
7. Heather Feltman	1013	1993-95
8. Celeste Gomez	900	2011-14
9. Victoria East	873	2013-Pr.
10. Leslie Adams	798	1992-93

SINGLE SEASON TOP 10

BATTING RECORDS

HITS

1.	Serita Brooks	99	2000
2.	Danielle Cox	98	1999
3.	Natasha Jacob	94	2006
4.	Shamalene Wilson	91	1996
5.	Kristy Hull	87	1995
	Cindy Lawton	87	1995
7.	Susan Buttery	84	1991
8.	Veronica Wootson	83	2004
9.	Myssi Calkins	82	1997
10.	Brandi Stuart	81	2002
	Shamalene Wilson	81	1994

BATTING AVERAGE

1.	Danielle Cox	.432	1999
2.	Maddie O'Brien	.424	2014
3.	Jessica van der Linden	.412	2003
4.	Shamalene Wilson	.402	1996
5.	Jessica van der Linden	.401	2004
	Serita Brooks	.401	2000
7.	Brandi Stuart	.391	2002
	Tiffany Daniels	.391	1987
9.	Cindy Lawton	.383	1995
10.	Penny Siqueiros	.381	1992

-- **Morgan Klavemann** **.408** **2015**

RUNS

1.	Shamalene Wilson	72	1996
2.	Veronica Wootson	70	2004
3.	Tiffani Brown	65	2014
	Courtney Senas	65	2014
5.	Brandi Stuart	63	2002
	Tiffany Daniels	63	1987
7.	Maddie O'Brien	62	2014
8.	Veronica Wootson	61	2007
9.	Susan Buttery	59	1991
10.	Courtney Senas	58	2013
	Serita Brooks	58	2001
	Susan Buttery	58	1993

-- **Jessica Warren** **49** **2015**

STOLEN BASES

1.	Danielle Cox	73	1999
2.	Shamalene Wilson	69	1996
3.	Myssi Calkins	61	1997
4.	Serita Brooks	55	2001
5.	Brandi Stuart	54	2002
	Myssi Calkins	54	1996
7.	Myssi Calkins	44	1994
8.	Tiffani Brown	43	2012
9.	Serita Brooks	42	2000
	Brandi Stuart	42	2000

WALKS

1.	Maddie O'Brien	72	2015
2.	Maddie O'Brien	56	2014
3.	Alex Powers	55	2015
4.	Erika Leonard	52	2012
5.	Brandi Stuart	49	2002
6.	Jessica van der Linden	46	2003
7.	Courtney Senas	43	2014
8.	Carly Wynn	42	2010
	Jessica van der Linden	42	2004
10.	Brandi Stuart	39	2003
	Tiffany Daniels	39	1984

AT BATS

1.	Natasha Jacob	252	2006
2.	Veronica Wootson	248	2004
3.	Serita Brooks	242	2000
4.	Susan Buttery	240	1991
5.	Brandi Stuart	233	2000
6.	Kristy Hull	232	1995
7.	Shamalene Wilson	229	1996
8.	Danielle Cox	227	1999
	Cindy Lawton	227	1995
10.	Whitney Buckmon	222	2006

TRIPLES

1.	Tiffany Daniels	11	1987
	Shamalene Wilson	11	1995
3.	Veronica Wootson	9	2006
	Susan Buttery	9	1991
	Lisa Davidson	9	1993
	Shamalene Wilson	9	1994
7.	Carly Wynn	8	2010
	Serita Brooks	8	1996
9.	Veronica Wootson	7	2004
	Brandi Stuart	7	2002
	Shamalene Wilson	7	1996
	Lisa Donaldson	7	1991

HOME RUNS

1.	Maddie O'Brien	24	2014
2.	Jessica Warren	16	2015
3.	Courtney Senas	15	2014
4.	Courtney Senas	14	2013
	Yuruby Alicart	14	2007
6.	Maddie O'Brien	13	2015
	Kelly Hensley	13	2013
8.	Briana Hamilton	12	2012
	Yuruby Alicart	12	2006
10.	Kaleigh Rafter	11	2009
	Veronica Wootson	11	2007

-- **Alex Powers** **9** **2015**

DOUBLES

1.	Yuruby Alicart	19	2006
2.	Carly Wynn	18	2010
3.	Maddie O'Brien	17	2014
	Yuruby Alicart	17	2007
5.	Victoria East	16	2013
	Cindy Lawton	16	1995
7.	Shayla Jackson	15	2011
8.	Veronica Wootson	14	2007
	Jessica van der Linden	14	2002
	Monique Marier	14	2001
	Jessica van der Linden	14	2001
	Corrie Williams	14	1998

-- **Alex Powers** **13** **2015**

-- **Jessica Warren** **11** **2015**

-- **Bailey Schinella** **10** **2015**

RUNS BATTED IN

1.	Maddie O'Brien	83	2014
2.	Courtney Senas	57	2014
3.	Yuruby Alicart	56	2007
4.	Jessica van der Linden	55	2004
5.	Kelly Hensley	54	2013
	Yuruby Alicart	54	2006
7.	Jessica Warren	53	2015
	Kimmy Carter	53	2002
9.	Courtney Senas	52	2013
10.	Veronica Wootson	49	2006
	Penny Siquerious	49	1991

-- **Alex Powers** **45** **2015**

-- **Maddie O'Brien** **43** **2015**

SLUGGING PERCENTAGE

1.	Maddie O'Brien	.942	2014
2.	Tiffany Daniels	.673	1987
3.	Courtney Senas	.667	2014
4.	Brandi Stuart	.647	2002
5.	Courtney Senas	.646	2013
6.	Carly Wynn	.643	2010
7.	Yuruby Alicart	.623	2007
8.	Yuruby Alicart	.621	2006
9.	Kelly Hensley	.618	2013
10.	Veronica Wootson	.597	2006

-- **Jessica Warren** **.717** **2015**

PITCHING RECORDS

APPEARANCES

1.	Leslie Malerich	58	2000
2.	Tiffany McDonald	57	2006
3.	Leslie Malerich	55	2002
4.	Lacey Waldrop	48	2014
	Kristy Fuentes	48	1997
6.	Lacey Waldrop	47	2013
	Casey Hunter	47	2005
8.	Sarah Hamilton	45	2011
	Sarah Hamilton	45	2010
10.	Toni Gutierrez	44	1992

-- **Lacey Waldrop** **40** **2015**

-- **Jessica Burroughs** **37** **2015**

INNINGS PITCHED

1.	Tiffany McDonald	329.1	2006
2.	Leslie Malerich	323.0	2000
3.	Leslie Malerich	315.1	2002
4.	Kristy Fuentes	310.0	1997
5.	Toni Gutierrez	285.1	1992
6.	Christy Larsen	275.0	1991
7.	Casey Hunter	268.1	2005
8.	Lacey Waldrop	266.1	2014
9.	Renee Espinoza	253.0	1996
10.	Jessica van der Linden	246.1	2004

WINS

1.	Lacey Waldrop	38	2014
2.	Leslie Malerich	35	2002
	Leslie Malerich	35	2000
	Toni Gutierrez	35	1992
5.	Casey Hunter	33	2004
6.	Kristy Fuentes	32	1997
7.	Tiffany McDonald	30	2006
	Renee Espinoza	30	1996
9.	Jessica van der Linden	29	2004
10.	Lacey Waldrop	28	2015
	Rebecca Aase	28	1992

STRIKEOUTS

1.	Jessica van der Linden	378	2004
2.	Casey Hunter	338	2005
3.	Sarah Hamilton	326	2010
4.	Tiffany McDonald	312	2006
5.	Sarah Hamilton	311	2009
6.	Christy Larsen	307	1991
7.	Sarah Hamilton	289	2011
8.	Toni Gutierrez	295	1992
9.	Lacey Waldrop	287	2014
10.	Casey Hunter	277	2004

SHUTOUTS

1.	Toni Gutierrez	23	1992
2.	Jessica van der Linden	20	2004
	Julie Larsen	20	1986
4.	Leslie Malerich	16	2000
	Julie Larsen	16	1987
6.	Rene Espinoza	15	1995
	Christy Larsen	15	1990
8.	Casey Hunter	14	2004
	Toni Gutierrez	14	1991
	Debbie DeJohn	14	1990
	Tina Kyler	14	1985

EARNED RUN AVERAGE (MINIMUM 100 INNINGS PITCHED)

1.	Julie Larsen	0.29	1985
2.	Christy Larsen	0.35	1990
3.	Julie Larsen	0.37	1986
4.	Marla Looper	0.42	1993
5.	Toni Gutierrez	0.46	1993
	Tina Kyler	0.46	1985
7.	Toni Gutierrez	0.47	1992
8.	Rebecca Aase	0.51	1993
	Debbie DeJohn	0.51	1987
10.	Debbie DeJohn	0.53	1989
	Shelly Berube	0.53	1985

SAVES

1.	Jessica Nori	4	2014
	Jessica Nori	4	2012
	Bailey Schinella	4	2012
	Tiffany McDonald	4	2006
	Leslie Malerich	4	2002
	Marla Looper	4	1994
7.	Jessica Burroughs	3	2015
	Sarah Hamilton	3	2010
	Tiffany McDonald	3	2007
	Casey Hunter	3	2005
	Niki Zenger	3	1995

-- **Lacey Waldrop** **2** **2015**

FIELDING RECORDS

ASSISTS

1.	Cindy Lawton	189	1995
2.	Natalie Bennett	173	2000
3.	Tami Post	171	1998
4.	Shannan Mitchem	165	1992
5.	Natalie Bennett	156	2001
6.	Jesse McGregor	153	1998
7.	Veronica Wootson	149	2007
8.	Shannan Mitchem	147	1991
9.	Brandi Stuart	145	2000
10.	Yuruby Alicart	144	2006
	Tami Post	144	1999

PUTOUTS

1.	Kaleigh Rafter	540	2009
2.	Becky Wallace	498	2000
3.	Jen Lapicki	489	2010
4.	Heather Feltmann	480	1994
5.	Heather Feltmann	463	1995
6.	Leslie Adams	443	1992
7.	Victoria East	418	2013
8.	Robyn Gauger	409	2001
9.	Beth Wade	407	2004
10.	Heather Conway	403	1992

2015 SOFTBALL ROSTER

NUMERICAL

No.	Name	B/T	Pos.	Ht.	Yr.	Hometown/Prev. School
2	Morgan Klaevemann	OF	L/R	5-2	Fr.	Refugio, Texas/Refugio
4	Megan McReynolds	1B	R/R	5-9	Fr.	Winter Garden, Fla./Lake Highland
5	Alex Kossoff	OF	L/R	5-5	Jr.	Redondo Beach, Calif./South Torrance
7	Maddie O'Brien	SS	L/R	5-6	RSr.	Palm Harbor, Fla./Palm Harbor University
8	Korina Rosario	OF/P	L/L	5-4	Fr.	Pensacola, Fla./West Florida
11	Alex Powers	1B	L/R	5-7	RSo.	Melbourne, Fla./Eau Gallie
13	Lacey Waldrop	P	R/R	5-9	Sr.	Chester, Va./Thomas Dale
14	Ellie Cooper	UT	L/R	5-7	So.	Fenton, Mo./Rockwood Summit
15	Katie Baker	INF	R/R	5-5	Fr.	Tallahassee, Fla./Chiles
16	Jessica Burroughs	P	R/R	5-9	RSo.	Warner Robins, Ga./Houston County
18	Victoria East	UT	R/R	5-9	Jr.	Pensacola, Fla./Escambia
24	Victoria Daddis	UT	R/R	5-9	So.	St. Johns, Fla./Creekside
25	Macey Cheatham	C	R/R	5-7	Jr.	Wellington, Fla./Wellington
27	Bailey Schinella	UT/P	R/R	5-7	Sr.	Valrico, Fla./Newsome
28	Bella D'Errico	OF	L/R	5-2	So.	Ponte Vedra Beach, Fla./Ponte Vedra
30	Jessica Warren	INF	R/R	5-4	Fr.	Tampa, Fla./Alonso
31	Sienna Surber	C	R/R	5-2	Fr.	Jackson, Mich./Jackson
32	Rylan Harvey	1B	R/R	5-8	RFr.	Mont Belvieu, Texas/Barbers Hill
44	Lauren Harris	OF	R/R	5-6	So.	St. Cloud, Fla./Harmony
48	Meghan King	P	L/L	5-9	Fr.	Parkland, Fla./St. Thomas Aquinas

ALPHABETICAL

No.	Name	B/T	Pos.	Ht.	Yr.	Hometown/Prev. School
15	Katie Baker	INF	R/R	5-5	Fr.	Tallahassee, Fla./Chiles
16	Jessica Burroughs	P	R/R	5-9	RSo.	Warner Robins, Ga./Houston County
25	Macey Cheatham	C	R/R	5-7	Jr.	Wellington, Fla./Wellington
14	Ellie Cooper	UT	L/R	5-7	So.	Fenton, Mo./Rockwood Summit
28	Bella D'Errico	OF	L/R	5-2	So.	Ponte Vedra Beach, Fla./Ponte Vedra
24	Victoria Daddis	UT	R/R	5-9	So.	St. Johns, Fla./Creekside
18	Victoria East	UT	R/R	5-9	Jr.	Pensacola, Fla./Escambia
44	Lauren Harris	OF	R/R	5-6	So.	St. Cloud, Fla./Harmony
32	Rylan Harvey	1B	R/R	5-8	RFr.	Mont Belvieu, Texas/Barbers Hill
48	Meghan King	P	L/L	5-9	Fr.	Parkland, Fla./St. Thomas Aquinas
2	Morgan Klaevemann	OF	L/R	5-2	Fr.	Refugio, Texas/Refugio
5	Alex Kossoff	OF	L/R	5-5	Jr.	Redondo Beach, Calif./South Torrance
4	Megan McReynolds	1B	R/R	5-9	Fr.	Winter Garden, Fla./Lake Highland
7	Maddie O'Brien	SS	L/R	5-6	RSr.	Palm Harbor, Fla./Palm Harbor University
11	Alex Powers	1B	L/R	5-7	RSo.	Melbourne, Fla./Eau Gallie
8	Korina Rosario	OF/P	L/L	5-4	Fr.	Pensacola, Fla./West Florida
27	Bailey Schinella	UT/P	R/R	5-7	Sr.	Valrico, Fla./Newsome
31	Sienna Surber	C	R/R	5-2	Fr.	Jackson, Mich./Jackson
13	Lacey Waldrop	P	R/R	5-9	Sr.	Chester, Va./Thomas Dale
30	Jessica Warren	INF	R/R	5-4	Fr.	Tampa, Fla./Alonso

Head Coach - Lonni Alameda (Oklahoma, 1993)

Assistant Coach - Travis Wilson (University of Canterbury, 1996)

Assistant Coach - Craig Snider (Centenary, 2005)

PRONUNCIATION GUIDE

2	Morgan Klaevemann	CLEYV-man
5	Alex Kossoff	KOSS-off
8	Korina Rosario	Co-REENA Rose-are-ee-o
25	Macey Cheatham	CHEAT-um
28	Bella D'Errico	Da-REE-co
Head Coach Lonni Alameda		Al-uh-mee-duh

2015 SEASON STATISTICS

Record: 48-12 Home: 24-7 Away: 14-3 Neutral: 10-2 ACC: 20-3

Player	avg	gp-gs	ab	r	h	2b	3b	hr	rbi	tb	slg%	bb	hp	so	gdp	ob%	sf	sh	sb-att	po	a	e	fld%	
2 Morgan Klaevemann	.408	60-57	169	43	69	5	3	0	18	80	.473	27	0	30	0	.487	1	3	19-20	51	5	0	1.000	
30 Jessica Warren	.356	58-56	180	49	64	11	3	16	53	129	.717	27	14	16	1	.473	1	0	3-4	51	101	10	.938	
14 Ellie Cooper	.331	59-56	157	32	52	7	2	0	25	63	.401	20	9	16	0	.429	3	8	7-9	44	69	6	.950	
5 Alex Kossoff	.309	59-55	152	22	47	2	3	0	10	55	.362	16	1	18	0	.376	1	8	9-11	56	1	1	.983	
11 Alex Powers	.280	60-60	150	25	42	13	2	9	45	86	.573	55	3	29	0	.474	3	0	0-0	328	0	10	.970	
7 Maddie O'Brien	.273	60-60	150	37	41	3	2	13	43	87	.580	72	2	20	4	.507	3	0	0-1	42	93	10	.931	
27 Bailey Schinella	.258	59-59	163	24	42	10	0	2	33	58	.356	26	2	13	2	.365	1	1	0-0	16	5	0	1.000	

13 Lacey Waldrop	.333	2-1	3	0	1	0	0	0	1	1	.333	0	0	1	0	.333	0	0	0-0	5	67	4	.947	
18 Victoria East	.283	52-29	99	21	28	8	0	0	17	36	.364	13	0	15	2	.363	1	1	5-7	111	1	3	.974	
24 Victoria Daddis	.267	53-28	90	9	24	4	2	4	24	44	.489	13	2	29	3	.364	2	0	0-0	12	10	3	.880	
44 Lauren Harris	.200	42-1	10	10	2	0	0	0	1	2	.200	0	0	2	0	.200	0	0	0-1	8	1	0	1.000	
8 Korina Rosario	.190	38-12	42	9	8	1	1	1	5	14	.333	3	0	12	0	.239	1	2	1-1	11	0	1	.917	
32 Rylan Harvey	.160	21-4	25	1	4	1	0	0	3	5	.200	2	0	6	0	.222	0	0	0-0	0	0	0	.000	
25 Macey Cheatham	.102	51-44	59	15	6	1	0	0	2	7	.119	12	0	23	0	.250	1	10	1-1	324	17	3	.991	
15 Katie Baker	.000	24-0	3	8	0	0	0	0	0	0	.000	0	0	2	0	.000	0	0	0-0	2	2	0	1.000	
28 Bella D'Errico	.000	30-0	1	14	0	0	0	0	0	0	.000	0	0	0	0	.000	0	0	5-5	0	0	0	.000	
31 Sienna Surber	.000	2-0	0	0	0	0	0	0	0	0	.000	0	0	0	0	.000	0	0	0-0	0	0	0	.000	
16 Jessica Burroughs	.000	1-1	0	0	0	0	0	0	0	0	.000	0	0	0	0	.000	0	0	0-0	4	23	9	.750	
Totals	.292	60	1517	328	443	68	18	48	291	691	.456	294	36	248	12	.414	19	33	51-61	1202	402	63	.962	
Opponents	.170	60	1437	139	244	34	4	25	117	361	.251	160	23	453	11	.263	6	24	35-36	1137	478	68	.960	

LOB - Team (442), Opp (312). DPs turned - Team (18), Opp (25). TPs turned - Team (0), Opp (1). CI - Team (0), Opp (5).

(All games Sorted by Earned run avg)

Player	era	w-l	app	gs	cg	sho	sv	ip	h	r	er	bb	so	2b	3b	hr	b/avg	wp	hp	bks	sfa	sha
13 Lacey Waldrop	1.50	28-6	40	33	20	6/3	2	205.1	120	62	44	82	225	15	1	7	.164	33	11	0	1	13
16 Jessica Burroughs	2.15	18-5	37	26	14	8/1	3	172.1	105	66	53	61	214	14	3	16	.168	13	10	0	2	9

8 Korina Rosario	0.00	0-0	3	0	0	0/0	0	1.0	1	0	0	1	1	0	0	0	.250	1	0	0	0	0
27 Bailey Schinella	2.86	2-1	13	1	0	0/2	1	22.0	18	11	9	16	13	5	0	2	.234	0	2	1	3	2
Totals	1.85	48-12	60	60	34	17/3	6	400.2	244	139	106	160	453	34	4	25	.170	47	23	1	6	24
Opponents	5.06	12-48	60	60	30	3/1	1	379.0	443	328	274	294	248	68	18	48	.292	32	36	1	19	33

PB - Team (16), Cheatham, M. 11, Szymanowski 3, Surber, S. 2, Opp (11). Pickoffs - Team (0), Opp (1).



2015 ACC STATISTICS

Record: 20-3 Home: 11-1 Away: 9-2 ACC: 20-3

Player	avg	gp-gs	ab	r	h	2b	3b	hr	rbi	tb	slg%	bb	hp	so	gdp	ob%	sf	sh	sb-att	po	a	e	fld%	
2 Morgan Klavemann	.431	23-23	72	18	31	1	2	0	7	36	.500	12	0	12	0	.512	0	3	8-8	17	3	0	1.000	
30 Jessica Warren	.403	23-22	72	22	29	3	1	9	26	61	.847	6	9	5	1	.506	0	0	0-1	16	47	3	.955	
14 Ellie Cooper	.351	22-19	57	8	20	3	1	0	11	25	.439	10	2	5	0	.464	0	2	2-3	15	32	2	.959	
5 Alex Kossoff	.290	23-23	62	7	18	1	0	0	5	19	.306	6	0	6	0	.348	1	3	2-3	26	1	1	.964	
7 Maddie O'Brien	.263	23-23	57	13	15	1	0	5	13	31	.544	29	1	6	3	.511	1	0	0-0	15	33	2	.960	
11 Alex Powers	.232	23-23	56	9	13	6	1	0	10	21	.375	24	1	9	0	.463	1	0	0-0	148	0	3	.980	
27 Bailey Schinella	.158	22-22	57	5	9	4	0	0	12	13	.228	12	1	6	0	.314	0	0	0-0	4	1	0	1.000	

44 Lauren Harris	.667	15-0	3	4	2	0	0	0	1	2	.667	0	0	0	0	.667	0	0	0-1	0	0	0	.000	
18 Victoria East	.372	21-10	43	10	16	3	0	0	9	19	.442	5	0	4	1	.429	1	0	1-2	44	0	1	.978	
13 Lacey Waldrop	.333	1-1	3	0	1	0	0	0	1	1	.333	0	0	1	0	.333	0	0	0-0	2	38	1	.976	
24 Victoria Daddis	.318	23-16	44	3	14	3	1	1	8	22	.500	6	0	13	1	.392	1	0	0-0	4	7	2	.846	
32 Rylan Harvey	.200	6-0	5	0	1	0	0	0	1	1	.200	1	0	1	0	.333	0	0	0-0	0	0	0	.000	
8 Korina Rosario	.167	12-3	12	5	2	0	0	1	2	5	.417	2	0	3	0	.286	0	0	0-0	4	0	0	1.000	
25 Macey Cheatham	.095	18-16	21	5	2	0	0	0	1	2	.095	4	0	9	0	.240	0	3	0-0	103	5	1	.991	
15 Katie Baker	.000	10-0	1	5	0	0	0	0	0	0	.000	0	0	1	0	.000	0	0	0-0	1	1	0	1.000	
31 Sienna Surber	.000	1-0	0	0	0	0	0	0	0	0	.000	0	0	0	0	.000	0	0	0-0	0	0	0	.000	
28 Bella D'Errico	.000	14-0	0	9	0	0	0	0	0	0	.000	0	0	0	0	.000	0	0	2-2	0	0	0	.000	
Totals	.301	23	588	127	177	26	6	17	112	266	.452	121	15	89	6	.429	5	11	15-20	456	177	22	.966	
Opponents	.173	23	538	53	93	11	2	10	45	138	.257	71	12	151	5	.282	3	11	15-15	435	196	21	.968	

LOB - Team (179), Opp (126). DPs turned - Team (9), Opp (11). TPs turned - Team (0), Opp (1). CI - Team (0), Opp (1).

(ACC games only Sorted by Earned run avg)

Player	era	w-l	app	gs	cg	sho	sv	ip	h	r	er	bb	so	2b	3b	hr	b/avg	wp	hp	bks	sfa	sha
13 Lacey Waldrop	1.37	13-2	17	14	10	3/1	2	91.2	55	26	18	40	91	5	1	4	.169	9	5	0	0	5
16 Jessica Burroughs	2.85	6-1	12	9	4	2/0	2	51.2	32	22	21	26	55	4	1	6	.175	4	5	0	1	5

27 Bailey Schinella	2.42	1-0	5	0	0	0/1	0	8.2	6	5	3	5	5	2	0	0	.200	0	2	1	2	1
Totals	1.93	20-3	23	23	14	6/1	4	152.0	93	53	42	71	151	11	2	10	.173	13	12	1	3	11
Opponents	5.26	3-20	23	23	11	2/0	0	145.0	177	127	109	121	89	26	6	17	.301	20	15	0	5	11

PB - Team (6), Cheatham, M. 4, Szymanowski 2, Opp (1).



2015 NCAA TOURNAMENT STATISTICS

Record: 3-0 Home: 3-0 Away: 0-0 ACC: 0-0

Player	avg	gp-gs	ab	r	h	2b	3b	hr	rbi	tb	slg%	bb	hp	so	gdp	ob%	sf	sh	sb-att	po	a	e	fld%	
2 Morgan Klavemann	.500	3-3	12	4	6	2	0	0	1	8	.667	0	0	3	0	.500	0	0	3-3	2	0	0	1.000	
11 Alex Powers	.250	3-3	8	0	2	1	1	0	1	5	.625	2	1	1	0	.455	0	0	0-0	17	0	0	1.000	
7 Maddie O'Brien	.250	3-3	8	3	2	0	0	2	3	8	1.000	4	0	2	0	.500	0	0	0-0	3	3	0	1.000	
5 Alex Kossoff	.250	3-3	8	1	2	0	0	0	0	2	.250	1	0	2	0	.333	0	0	1-1	5	0	0	1.000	
14 Ellie Cooper	.222	3-3	9	0	2	0	0	0	3	2	.222	0	0	0	0	.200	1	0	0-0	3	6	1	.900	
27 Bailey Schinella	.143	3-3	7	0	1	1	0	0	0	2	.286	0	0	0	0	.143	0	1	0-0	0	0	0	.000	

30 Jessica Warren	.400	3-3	5	2	2	1	1	0	3	5	1.000	6	0	0	0	.667	1	0	0-0	4	6	2	.833	
25 Macey Cheatham	.200	3-3	5	2	1	0	0	0	0	1	.200	1	0	3	0	.333	0	0	1-1	20	1	0	1.000	
24 Victoria Daddis	.167	3-3	6	0	1	0	0	0	0	1	.167	1	0	3	0	.286	0	0	0-0	2	0	0	1.000	
18 Victoria East	.000	3-0	2	0	0	0	0	0	0	0	.000	1	0	0	0	.333	0	0	0-0	4	0	0	1.000	
32 Rylan Harvey	.000	1-0	1	0	0	0	0	0	0	0	.000	0	0	1	0	.000	0	0	0-0	0	0	0	.000	
44 Lauren Harris	.000	2-0	1	0	0	0	0	0	0	0	.000	0	0	0	0	.000	0	0	0-0	2	0	0	1.000	
8 Korina Rosario	.000	1-0	0	0	0	0	0	0	0	0	.000	0	0	0	0	.000	0	0	0-0	0	0	0	.000	
28 Bella D'Errico	.000	3-0	0	0	0	0	0	0	0	0	.000	0	0	0	0	.000	0	0	2-2	0	0	0	.000	
Totals	.264	3	72	12	19	5	2	2	11	34	.472	16	1	15	0	.396	2	1	7-7	63	21	4	.955	
Opponents	.101	3	69	2	7	0	0	1	2	10	.145	9	0	20	0	.205	0	2	3-4	57	17	2	.974	

LOB - Team (24), Opp (15). DPs turned - Team (1), Opp (2). CI - Team (0), Opp (1).

(NCAA Tournament Sorted by Earned run avg)

Player	era	w-l	app	gs	cg	sho	sv	ip	h	r	er	bb	so	2b	3b	hr	b/avg	wp	hp	bk	sfa	sha
16 Jessica Burroughs	0.43	2-0	3	2	1	1/0	0	16.1	5	1	1	1	16	0	0	1	.093	2	0	0	0	1
13 Lacey Waldrop	1.91	0-0	1	1	0	0/0	0	3.2	1	1	1	6	3	0	0	0	.091	2	0	0	0	1

27 Bailey Schinella	0.00	1-0	1	0	0	0/0	0	1.0	0	0	0	1	1	0	0	0	.000	0	0	0	0	0
8 Korina Rosario	0.00	0-0	1	0	0	0/0	0	0.0	1	0	0	1	0	0	0	0	1.000	1	0	0	0	0
Totals	0.67	3-0	3	3	1	1/0	0	21.0	7	2	2	9	20	0	0	1	.101	5	0	0	0	2
Opponents	3.32	0-3	3	3	2	0/0	0	19.0	19	12	9	16	15	5	2	2	.264	1	1	0	2	1



PLAYER PAGES

2 MORGAN KLAEVEMANN • OF

- 2015 All-ACC First Team
- 2015 NFCA Southeast All-Region Third Team
- Stole two bases and walked twice at Florida A&M on February 10 to set career highs in both categories
- Set a career high with three hits as she went 3-for-4 at the plate against No. 7 Michigan (Feb. 14) and scored a run
- Went 1-for-3 with an RBI versus No. 13 Tennessee at the Mary Nutter Classic (Feb. 19)
- Batted 3-for-3 with an RBI and a career-high two runs at Florida Atlantic on March 10
- Went 2-for-2 with a walk in a 2-0 win against USC Upstate on March 12
- Recorded an outfield assist on March 14 against Notre Dame; also went 2-for-4 from the plate in the 7-3 win over the Irish
- Reached base in seven consecutive plate appearances from March 8-12
- Drew a career-high three walks against Troy on March 18
- Hit a single and a double in the seventh and eighth innings as the Seminoles rallied to defeat No. 25 Virginia Tech, 7-6 in eight innings, on March 21
- Batted 2-for-3 with an RBI and a career-high three runs scored against No. 9 Auburn on March 25
- Went 7-for-9 with an RBI and a run scored over the three-game series with Pitt on March 28-29.
- Hit an RBI single against No. 3 Florida on April 8
- Walked three times at Louisville on April 11 to tie a career high
- Tied a career high with three hits at Louisville on April 12; also drove in a career-high two RBI
- Posted three hits, including two triples, scored three runs and drove in two RBI - tying career highs in all categories - against Virginia on April 19
- Had two game-saving outfield assists in game two of a doubleheader at Georgia Tech on April 26. With FSU leading 3-2 in the sixth, she threw out a runner at the plate after a single to center. With the same score and one out in the seventh, she caught a fly ball and retired a runner at the plate to end the game
- Went 2-for-3 with two runs scored and an RBI at North Florida on May 3
- Hit a two-RBI triple against NC State in the ACC semifinal on May 8
- Posted two hits each in ACC tournament games against Boston College and Pitt
- Tied a career high with three hits against Dartmouth in the first game of the NCAA Tallahassee Regional (May 15)
- Currently on a 26-game hitting streak - ranking as the second-longest hitting streak in FSU history
- In 15 games as the leadoff hitter, she has seven base hits to open the top of the first inning
- Has had multiple hits in 14 of her last 26 games
- Reached base in each of her last 32 games

SEASON-HIGHS

AB 5at Louisville (4/12)
 R 32x, last vs. Virginia (4/19)
 H 3 6x, last vs. Dartmouth - NCAA (5/15)
 BB 3 2x, last at Louisville (4/11)
 RBI 23x, last vs. NC State - ACC (5/8)
 SB..... 2 3x, last vs. Dartmouth - NCAA (5/15)

CAREER-HIGHS

AB 5 at Louisville (4/12/15)
 R 3 2x, last vs. Virginia (4/19/15)
 H 3 6x, last vs. Dartmouth - NCAA (5/15/15)
 BB 3 2x, last at Louisville (4/11/15)
 RBI 2 3x, last vs. NC State - ACC (5/8/15)
 SB..... 2 3x, last vs. Dartmouth - NCAA (5/15/15)

5 ALEX KOSSOFF • OF

- Hit a double in the season opener against Georgia Southern on Feb. 7
- Hit a leadoff triple to center in the fifth inning against No. 7 Michigan on February 14
- Went 2-for-2 vs. No. 20 Cal at the Mary Nutter Classic on February 21
- Batted .555 (5-for-9) with a sac bunt in the series sweep of Boston College on Feb 28-March 1
- Came off the bench and went 2-for-2 with a triple and a single - all in the sixth inning - at Florida Atlantic on March 10
- Went 2-for-3 with two runs scored against Colgate on March 17
- Had four hits, including a double and an RBI, during the road sweep of No. 25 Virginia Tech
- Tied a season high with two hits and tied a career high with two RBI versus Florida A&M on April 1
- Posted a 12-game hitting streak from March 17 to April 3
- Robbed two home runs during the series at NC State - one during the second inning of game one on April 3 and another during the sixth inning of game three
- Tied a career high with three hits and two RBI at Louisville on April 12
- Walked and scored the game-tying run in the top of the seventh at Georgia Tech as the Seminoles went on to defeat the Jackets, 2-1, in eight innings on April 25
- Batted 3-for-3 with two runs scored and two RBI - matching career-highs in all three categories - in FSU's 15-1 win at North Florida on May 3
- Tied career highs with two walks and two runs scored in the ACC Championship game against Pitt on May 9 and added her third triple of the season in the second inning
- Went 2-for-3 with a run scored in FSU's 5-1 victory over Dartmouth in the NCAA Tallahassee Regional (May 15)

SEASON-HIGHS

AB 48x, last vs. NC State - ACC (5/8)
 R 2 3x, last vs. Pitt - ACC (5/9)
 H 3at Louisville (4/12)
 BB 2 5x, last vs. Pitt - ACC (5/9)
 RBI 23x, last at North Florida (5/3)

CAREER-HIGHS

AB 4 12x, last vs. NC State - ACC (5/8/15)
 R 24x, last vs. Pitt - ACC (5/9/15)
 H 3 2x, last at Louisville (4/12/15)
 BB 2 6x, last vs. Pitt - ACC (5/9/15)
 RBI 2 4x, last at North Florida (5/3/15)

7 MADDIE O'BRIEN • SS

- 2015 All-ACC Second Team
- Set the FSU career walks mark (146) on March 6 against Coastal Carolina. She now owns Seminole career records with 52 home runs, 189 walks and 210 RBI
- Also owns the ACC record in career walks and is second in the conference in RBI and fifth in home runs
- Drove in two RBI in the season opener against Georgia Southern on February 7
- Hit the fifth triple of her career on Feb. 8 versus Georgia Southern
- Added another triple against Bethune-Cookman on March 6
- Blasted a two-run home run and had an RBI double against No. 7 Michigan on February 14.
- Went 3-for-4 with a home run and three RBI against No. 20 Cal at the Mary Nutter Classic on February 21
- Batted 2-for-2 with two RBI, two walks and a run scored at Florida Atlantic on March 10
- Went 2-for-3 with a home run and two RBI in game one of the doubleheader at No. 25 Virginia Tech on March 21
- Tied a career high with four walks in game one of the doubleheader at NC State on April 3
- Followed that up with a 2-for-2 performance with a walk and a two-run home run in game two
- Hit an RBI single and a two-run home run on Senior Day against Virginia on April 19
- Hit two home runs and finished with five hits in Florida State's 15-1 win at North Florida on May 3
- Leads the nation with 68 walks, which already sets a single-season FSU record. She is second all-time in ACC history and ranks tied for 14th in NCAA history
- Has drawn at least one walk in 42 games, and 2+ walks in 25 games this season
- Has reached base in 53 of 60 games this season

SEASON-HIGHS

AB 4 11x, last at North Florida (5/3)
 R 3 at North Florida (5/3)
 H 32x, last at North Florida (5/3)
 BB 4at NC State (4/3)
 RBI 5 at North Florida (5/3)

CAREER-HIGHS

AB 5 at Maryland (5/6/12)
 R 3 5x, last at North Florida (5/3/15)
 H 34x, last at North Florida (5/3)
 BB 4 2x, last at NC State (4/3/15)
 RBI 6vs. UC Santa Barbara (3/4/12)

PLAYER PAGES

8 KORINA ROSARIO • OF/P

- Her first career hit went for a double against Georgia Southern on February 7
- Had a two-RBI single against Oklahoma State at the Mary Nutter Classic on February 20.
- Went 2-for-2 with two runs scored and a triple (all career-highs) against Bethune-Cookman on March 6
- Was 1-for-3 from the plate with an RBI versus Coastal Carolina on March 8
- Drew the first walk of her career at Florida Atlantic on March 10
- Had a base hit and scored a run against Pitt on March 28
- Made her first career pitch appearance on April 8 against No. 3 Florida, retiring both batters she faced including a strikeout of All-American Kelsey Stewart
- Hit her first career home run at Georgia Tech on April 25. The two-run HR proved to be the difference in a 3-2 win for the Seminoles.
- Had a base hit off the bench at North Florida and closed out the game in the circle, inducing a ground out to secure the 15-1 victory on May 3

SEASON-HIGHS

AB 4 2x, last at Virginia Tech (3/21)
 R 2 vs. Bethune-Cookman (3/6)
 H 2 vs. Bethune-Cookman (3/6)
 BB 1 3x, last at Georgia Tech (4/26)
 RBI 2 2x, last at Georgia Tech (4/25)

SEASON-HIGHS – PITCHING

IP..... 0.2 vs. Florida (4/8)
 H 1 vs. UCF - NCAA (5/16)
 R -
 ER -
 BB 1 vs. UCF - NCAA (5/16)
 SO 1 vs. Florida (4/8)

CAREER-HIGHS – BATTING

AB 4 2x, last at Virginia Tech (3/21/15)
 R 2 vs. Bethune-Cookman (3/6/15)
 H 2 vs. Bethune-Cookman (3/6/15)
 BB 1 3x, last at Georgia Tech (4/26/15)
 RBI 2 2x, last at Georgia Tech (4/25/15)

CAREER-HIGHS – PITCHING

IP..... 0.2 vs. Florida (4/8/15)
 H 1 vs. UCF - NCAA (5/16/15)
 R -
 ER -
 BB 1 vs. UCF - NCAA (5/16/15)
 SO 1 vs. Florida (4/8/15)

ROSARIO'S CAREER APPEARANCES

2015 (0 STARTS, 3 APPEARANCES)

Date	Opp. (W-L-ND-SV)	GS	IP	H	R	ER	BB	K
4/8	vs. Florida (ND)		0.2	0	0	0	0	1
5/3	at North Florida (ND)		0.1	0	0	0	0	0
5/16	vs. UCF (ND)		0.0	1	0	0	1	0

11 ALEX POWERS • 1B

- 2015 ACC All-Tournament Team
- ACC Player of the Week on February 16
- Walked in all four plate appearances versus Georgia Southern on Feb. 8
- Hit two home runs in a game - the first two of her career - at Florida A&M on February 10
- Hit two doubles and drove in two RBI versus No. 20 Nebraska on Feb. 13
- Crushed a three-run home run in the first inning vs. No. 20 Nebraska on Feb 15 as the Noles went on to win 3-2
- Batted 2-for-4 with a home run and three RBI vs. No. 20 Cal and went 2-for-4 with two RBI and a double versus No. 12 UCLA on the final day of the Mary Nutter Classic (Feb. 21)
- Went 2-for-2 with two walks and two runs scored against Coastal Carolina on March 8
- Blasted a grand slam on her way to driving in a career-high five RBI at Florida Atlantic on March 10
- Drew two walks against USC Upstate on March 12
- Registered three walks against Notre Dame on March 14
- Went 2-for-3 from the plate with a double and a two-run home run against Troy on March 18
- Hit two home runs and drove in a career-high six RBI against No. 9 Auburn on March 25
- Had two hits and two RBI against Pitt on March 28
- Posted five hits, including four doubles, with four RBI and two runs scored in the series at NC State on April 3-4
- Had a walk, RBI single and a run scored in FSU's 9-1 win at Louisville on April 12
- Drew a total of seven walks in the series versus Virginia and scored three runs
- Tied a career high with two hits at Florida on April 22
- Reached base in nine of 10 plate appearances at the ACC Championships with a double, two singles and six walks.
- Was 2-for-2 with two RBI and two walks against NC State on May 8
- Hit a walk-off RBI triple to right field to defeat UCF, 2-1, in the NCAA Tallahassee Regional on May 16

SEASON-HIGHS

AB 4 9x, last vs. UCF - NCAA (5/16)
 R 2 4x, last vs. Virginia (4/18)
 H 2 12x, last vs. NC State - ACC (5/8)
 BB 4 vs. Georgia Southern (2/8)
 RBI 6 vs. Auburn (3/25)

CAREER-HIGHS

AB 4 9x, last vs. UCF - NCAA (5/16/15)
 R 2 5x, last vs. Virginia (4/18/15)
 H 2 13x, last vs. NC State - ACC (5/8/15)
 BB 4 vs. Georgia Southern (2/8/15)
 RBI 6 vs. Auburn (3/25/15)

13 LACEY WALDROP • P

- 2015 ACC Pitcher of the Year
- 2015 All-ACC First Team
- 2015 NFCA Southeast All-Region First Team
- 2015 Top 26 Finalist for USA Softball National Player of the Year
- 2015 Top 10 Finalist for Senior CLASS Award
- Drafted in the first round by the Chicago Bandits with the No. 3 overall pick in the 2015 NPF Draft
- Became Florida State's career wins leader on May 3 as she recorded her 108th victory in a 15-1 win at North Florida
- Named ACC Player of the Week on February 9, March 2, March 9 and April 20
- Teamed up with Bailey Schinella to toss her sixth career no-hitter versus Georgia Southern on Feb. 8. She finished with 6.0 IP, 3 BB and 12 SO.
- Recorded her seventh career no-hitter on March 6 versus Coastal Carolina, retiring 15 of the 16 batters she faced
- Pitched 3.0 innings of relief for the win against Florida A&M as the Noles made a come-from-behind victory
- Pitched a complete-game victory vs. No. 12 UCLA on February 21, recording 10 strikeouts without allowing a walk and gave up just three hits and one run
- Gave up just one run on three hits with 10 strikeouts and a walk over 7.0 innings against Oklahoma State on Feb. 20
- Retired 15 of the 16 batters she faced, surrendering just one hit, against Boston College on February 28
- Tossed a complete-game two-hitter at Florida Atlantic on March 7, recording 10 strikeouts and allowing just one walk
- Gave up three hits and one walk with nine strikeouts in a complete-game shutout versus USC Upstate on March 12
- Recorded a streak of 47.2 innings without allowing an earned run (UCLA, Feb. 21 to Virginia Tech, March 21)
- Pitched all 8.0 innings and struck out nine as the Seminoles rallied to force extra innings and win, 7-5, at Virginia Tech on March 21
- Tossed consecutive shutouts against Pitt on March 28 and 29
- Did not give up an earned run over 10.0 innings of work at Louisville on April 11-12, recording 11 strikeouts
- Posted her second-straight earned-run free weekend on April 18-19 against Virginia, going 11.0 innings and giving up six hits and recording 12 strikeouts
- Was given her first chance to bat in her career on Senior Day (April 19) and went 1-for-3, including an RBI single in the fifth inning versus Virginia
- Snapped a streak of 21.1 innings without giving up an earned run on an RBI groundout at Florida on April 22
- Recorded seven strikeouts in 4.0 innings versus Boston College in the ACC quarterfinals on May 7
- Allowed one run on one hit in 3.2 innings against Dartmouth in the NCAA Tallahassee Regional on May 15
- Has allowed more than two runs in only seven appearances this season
- Has recorded nine or more strikeouts in 10 of her 33 starts this season

PLAYER PAGES

SEASON-HIGHS

IP.....8.0.....at Georgia Tech (4/25)
 H.....9.....at Virginia Tech (3/21)
 R.....7.....vs. Auburn (3/25)
 ER.....5.....2x, last at NC State (4/4)
 BB.....7.....at Virginia Tech (3/21)
 SO.....12.....2x, last vs. Georgia Southern (2/8)

CAREER-HIGHS

IP.....11.0.....vs. USF - NCAA (5/17/14)
 H.....10.....3x, last at Notre Dame (4/13/14)
 R.....8.....at Notre Dame (4/13/14)
 ER.....5.....3x, last at NC State (4/4/15)
 BB.....7.....at Virginia Tech (3/21/15)
 SO.....18.....at Florida (3/27/13)

WALDROP'S CAREER APPEARANCES

2012 (26 STARTS, 34 APPEARANCES)

Date	Opp. (W-L-ND-SV)	GS	IP	H	R	ER	BB	K
2/10	vs. Mississippi (ND)	*	5.2	10	6	4	4	1
2/11	vs. Tenn. Tech (W)	*	5.0	0	0	0	1	3
2/12	vs. Mississippi (W)	*	5.0	0	0	0	3	7
2/18	vs. Coastal Car. (W)	*	5.0	1	0	0	2	2
2/19	vs. Mercer (W)	*	7.0	5	0	0	0	5
2/22	vs. UCF (W)	*	4.0	3	1	0	2	4
2/24	vs. Wisconsin (W)	*	7.0	5	2	2	1	5
2/25	vs. S. Illinois (W)	*	7.0	2	0	0	1	3
3/2	vs. UCSB (W)	*	7.0	3	1	1	1	9
3/3	at Hawaii (L)	*	6.0	3	2	2	1	7
3/10	vs. NC State (W)	*	6.0	3	1	1	1	4
3/17	vs. Fairfield (W)	*	5.0	3	0	0	0	6
3/18	vs. Rutgers (L)	*	5.0	3	1	1	1	2
3/20	vs. Jacksonville (W)	*	6.0	3	1	1	0	3
3/21	at Florida A&M (W)	*	4.0	2	1	1	0	4
3/24	at Virginia (W)	*	7.0	1	0	0	1	10
3/25	at Virginia (W)	*	4.0	2	0	0	1	3
3/29	vs. FGCU (W)	*	4.0	4	1	0	2	3
4/1	vs. North Carolina (L)	*	5.2	7	4	0	0	5
4/4	vs. Florida (ND)	*	3.2	4	2	1	0	2
4/6	at Virginia Tech (ND)	*	0.1	3	4	4	1	0
4/7	at Virginia Tech (SV)	*	2.0	0	0	0	0	1
4/10	vs. Florida A&M (SV)	*	2.0	2	0	0	0	6
4/12	vs. S. Alabama (ND)	*	4.1	2	0	0	0	2
4/15	vs. Georgia Tech (ND)	*	4.0	3	4	4	3	5
4/16	vs. Georgia Tech (W)	*	5.0	7	3	3	1	2
4/19	at Troy (ND)	*	4.2	2	0	0	0	5
4/21	vs. Boston College (W)*	*	7.0	2	0	0	0	9
4/22	vs. Boston College (W)*	*	7.0	4	0	0	1	6
5/1	at N. Florida (W)	*	6.0	2	0	0	0	5
5/5	at Maryland (L)	*	6.0	9	4	2	4	2
5/10	vs. NC State (ND)	*	1.2	2	2	0	2	4
5/11	vs. Georgia Tech (L)	*	1.1	1	0	0	2	2
5/19	vs. San Diego St. (ND)	*	2.1	1	0	0	2	2

2013 (41 STARTS, 47 APPEARANCES)

Date	Opp. (W-L-ND-SV)	GS	IP	H	R	ER	BB	K
2/9	vs. N. Florida (ND)	*	4.2	2	1	0	1	9
2/10	vs. Beth.-Cook. (W)	*	3.0	1	0	0	0	2
2/15	vs. Arkansas (W)	*	5.0	4	1	1	3	3
2/16	vs. Hofstra (W)	*	7.0	4	0	0	3	8
2/17	vs. Tulsa (ND)	*	3.2	0	0	0	0	7
2/20	at UCF (W)	*	6.0	4	2	2	1	11
2/22	vs. Washington (L)	*	6.0	6	2	2	1	3
2/23	vs. Oklahoma (ND)	*	3.0	2	2	1	0	4
2/24	vs. Nebraska (L)	*	7.0	6	2	2	1	6
2/28	vs. Troy (ND)	*	2.0	7	4	3	0	0
3/1	vs. S. Miss (L)	*	5.0	3	2	2	1	6
3/2	vs. App. State (SV)	*	3.0	4	2	2	0	2
3/3	vs. Troy (W)	*	5.0	0	0	0	0	9
3/9	at NC State (W)	*	5.2	1	1	1	4	12
3/10	at NC State (W)	*	7.0	3	0	0	0	10
3/12	vs. FIU (W)	*	4.0	1	2	1	2	4
3/15	vs. Minnesota (ND)	*	5.0	4	2	2	0	3
3/17	vs. Minnesota (W)	*	2.0	2	0	0	0	3
3/17	vs. Georgia S. (W)	*	5.0	4	3	0	4	8
3/19	at Auburn (SV)	*	1.1	0	0	0	0	3
3/22	vs. North Carolina (L)	*	4.1	4	4	2	1	5
3/24	vs. North Carolina (W)*	*	5.0	1	1	0	1	4
3/24	vs. North Carolina (W)*	*	6.1	6	1	1	1	6
3/27	at Florida (ND)	*	6.2	3	3	0	6	18
3/30	at Maryland (L)	*	0.0	0	1	0	2	0
3/30	at Maryland (W)	*	3.0	2	1	1	1	3
3/31	at Maryland (W)	*	4.0	4	3	0	1	3
4/3	vs. LSU (L)	*	7.0	7	5	5	4	8
4/6	vs. Boston College (W)*	*	3.0	3	0	0	1	3
4/7	vs. Boston College (W)	*	4.0	2	2	2	3	6
4/10	at S. Alabama (L)	*	4.0	6	3	3	0	4
4/14	vs. Virginia (ND)	*	6.1	7	2	1	0	6
4/15	vs. Virginia (W)	*	7.0	2	0	0	0	10
4/20	at Virginia Tech (W)	*	7.0	4	2	2	2	3
4/21	at Virginia Tech (W)	*	7.0	6	3	3	1	3
4/27	at Georgia Tech (W)	*	8.0	4	1	0	3	5
5/9	vs. Boston College (W)*	*	4.0	4	0	0	0	8
5/10	vs. North Carolina (W)*	*	7.0	2	0	0	1	5
5/11	vs. NC State (L)	*	7.0	6	1	1	0	9
5/17	vs. Miss. State (W)	*	7.0	5	2	0	1	11
5/18	vs. S. Alabama (W)	*	7.0	6	1	1	1	10
5/19	vs. S. Alabama (L)	*	3.1	2	3	3	1	3
5/19	vs. S. Alabama (ND)	*	1.2	5	6	1	1	2
5/25	vs. Texas (ND)	*	5.0	5	2	2	2	8
5/26	vs. Texas (L)	*	4.1	5	3	1	0	3

2014 (42 STARTS, 48 APPEARANCES)

Date	Opp. (W-L-ND-SV)	GS	IP	H	R	ER	BB	K
2/7	vs. Nebraska (L)	*	7.0	10	4	2	2	4
2/8	vs. UTEP (W)	*	4.0	2	0	0	1	4
2/8	vs. UTEP (W)	*	4.0	2	0	0	1	4
2/9	vs. Nebraska (W)	*	7.0	4	1	0	1	3
2/14	vs. N. Dakota St. (W)	*	7.0	4	1	1	0	8
2/15	vs. N. Dakota St. (W)	*	4.0	0	0	0	2	4
2/16	vs. N. Dakota St. (W)	*	7.0	6	0	0	0	10
2/19	vs. UCF (W)	*	6.0	2	1	1	3	14
2/22	vs. UCSB (W)	*	7.0	6	2	0	0	10
2/26	at Auburn (W)	*	7.0	6	4	1	4	8
2/28	vs. Houston (W)	*	5.0	5	1	0	0	10
3/1	at Alabama (L)	*	6.0	6	1	1	1	9
3/2	at Alabama (W)	*	4.0	1	0	0	1	2
3/8	at Virginia (ND)	*	5.0	4	2	1	2	1
3/9	at Virginia (W)	*	5.0	0	0	0	2	5
3/11	vs. Virginia Tech (W)	*	4.0	2	0	0	2	10
3/12	at FGCU (W)	*	7.0	2	0	0	0	13
3/15	vs. NC State (W)	*	7.0	2	1	1	0	9
3/14	vs. NC State (W)	*	7.0	3	2	1	3	5
3/19	at N. Florida (W)	*	4.0	1	0	0	1	7
3/22	at Boston College (W)	*	7.0	5	1	1	4	6
3/23	at Boston College (W)	*	5.0	1	0	0	2	7
3/26	vs. Florida A&M (W)	*	6.0	0	0	0	1	14

3/30	at North Carolina (W)	*	7.0	3	0	0	2	4
3/30	at North Carolina (W)	*	3.1	2	1	1	2	7
3/31	at North Carolina (W)	*	7.0	3	1	0	1	4
4/2	at Florida (W)	*	8.0	6	2	2	4	9
4/5	vs. Maryland (W)	*	4.0	3	2	2	4	6
4/5	vs. Maryland (W)	*	2.0	2	1	1	0	0
4/6	vs. Maryland (SV)	*	1.2	1	0	0	1	2
4/9	vs. Florida (L)	*	6.2	3	4	4	3	8
4/13	at Notre Dame (L)	*	6.0	10	8	2	2	2
4/13	at Notre Dame (W)	*	3.0	1	0	0	0	5
4/16	at Pitt (W)	*	7.0	7	2	1	2	7
4/19	vs. Syracuse (W)	*	7.0	7	1	1	0	5
4/20	vs. Syracuse (W)	*	4.0	2	1	0	1	7
4/26	vs. Georgia Tech (W)	*	7.0	4	1	1	4	9
4/27	vs. Georgia Tech (W)	*	2.2	1	0	0	2	5
5/8	vs. Georgia Tech (ND)	*	2.0	3	4	4	4	2
5/9	vs. North Carolina (W)*	*	5.0	3	1	0	4	4
5/10	vs. Notre Dame (W)	*	7.0	3	1	1	0	7
5/16	vs. Fordham (W)	*	5.0	1	0	0	0	7
5/17	vs. USF (W)	*	11.0	9	0	0	2	7
5/18	vs. USF (W)	*	7.0	7	1	1	1	4
5/22	vs. Michigan (L)	*	2.0	6	8	4	5	2
5/23	vs. Michigan (W)	*	7.0	5	0	0	0	2
5/23	vs. Michigan (W)	*	7.0	10	2	2	3	4
5/29	vs. Oregon (L)	*	5.0	10	3	3	1	2
5/31	vs. Baylor (L)	*	4.0	6	5	3	0	3

2015 (33 STARTS, 40 APPEARANCES)

Date	Opp. (W-L-ND-SV)	GS	IP	H	R	ER	BB	K
2/7	vs. Kentucky (W)	*	7.0	4	2	0	1	12
2/8	vs. Ga Southern (W)	*	6.0	0	0	0	3	12
2/10	at Florida A&M (W)	*	3.0	1	1	1	1	5
2/13	vs. W. Kentucky (W)	*	7.0	4	1	0	3	11
2/14	vs. Michigan (L)	*	3.0	2	2	2	1	2
2/14	vs. Michigan (L)	*	7.0	7	2	2	1	4
2/15	vs. Nebraska (W)	*	3.1	4	1	1	3	6
2/19	vs. Tennessee (L)	*	3.1	0	1	1	3	6
2/20	vs. Oklahoma St. (W)	*	7.0	3	1	1	1	10
2/21	vs. Cal (ND)	*	5.0	2	0	0	5	1
2/21	vs. UCLA (W)	*	7.0	3	1	1	0	10
2/28	vs. Boston College (W)*	*	5.0	1	0	0	0	6
3/1	vs. Boston College (W)*	*	7.0	3	1	0	1	9
3/6	vs. Coastal Carolina (W)	*	5.0	0	0	0	1	4
3/7	vs. FAU (W)	*	7.0	2	0	0	0	10
3/10	vs. FAU (W)	*	4.0	0	0	0	0	7
3/12	vs. USC Upstate (W)	*	7.0	3	0	0	1	9
3/14	vs. Notre Dame (W)	*	7.0	5	1	0	4	6
3/21	at Virginia Tech (W)	*	8.0	9	5	4	7	9
3/21	at Virginia Tech (W)	*	3.1	1	2	2	1	3
3/22	at Virginia Tech (W)	*	7.0	6	2	1	2	2
3/25	vs. Auburn (W)	*	7.0	7	7	4	3	5
3/28	vs. Pitt (W)	*	5.0	1	0	0	0	3
3/29	vs. Pitt (W)	*	7.0	4	0	0	3	11
4/3	at NC State (W)	*	4.0	3	5	5	6	6
4/4	at NC State (L)	*	4.1	3	6	5	4	4
4/11	at Louisville (L)	*	6.0	3	1	0	2	5
4/12	at Louisville (W)	*	4.0	1	1	0	2	6
4/18	vs. Virginia (W)	*	6.0	4	1	0	2	5
4/19	vs. Virginia (W)	*	5.0	2	0	0	1	7
4/22	at Florida (L)	*	4.1	6	5	3	1	4
4/25	at Georgia Tech (W)	*	8.0	5	1	1	3	6
4/25	at Georgia Tech (SV)	*	2.0	3	0	0	2	1
4/26	at Georgia Tech (SV)	*	3.0	1	0	0	0	2
4/27	at Georgia State (W)	*	7.0	3	3	2	5	1
5/3	at North Florida (W)	*	2.2	1	1	1	0	2
5/7	vs. Boston College (W)*	*	4.0	4	2	2	0	7
5/8	vs. NC State (ND)	*	1.0	5	3	3	0	0
5/9	vs. Pitt (ND)	*	2.1	3	2	1	2	3

PLAYER PAGES

14 ELLIE COOPER • UT

- 2015 All-ACC Second Team
- Was hit by three pitches in the same game at Florida A&M on February 10.
- Went 2-for-4 with an RBI and a run scored versus No. 7 Michigan on February 14
- Tied a career high with three hits as she went 3-for-4 with a run scored and a stolen base against Cal at the Mary Nutter Classic on February 21
- Went 1-for-3 and tied a career high with three runs scored versus Oklahoma State on February 20
- Tied a career high with three hits against Bethune-Cookman on March 6. Added two RBI and two runs scored in the game as well
- Set a career high with three runs scored on March 10 as FSU defeated Florida Atlantic, 12-0 in six innings
- Had a base hit and scored a run versus USC Upstate on March 12
- Came off the bench and went 2-for-3 with an RBI against Notre Dame on March 14
- Hit a walk-off double against Colgate in a 8-0, five-inning win on March 17; finished the game 2-for-3 with two RBI and a walk
- Hit two doubles in game two of the doubleheader at Virginia Tech (3/21), including a two-run, two-out double to tie the game in the seventh inning. FSU would go on to win 7-6 in eight innings.
- Went 3-for-4 with a run scored against No. 9 Auburn on March 25 to tie a career high in hits
- Batted 2-for-3 with a two runs scored and an RBI against Florida A&M on April 1
- Went 2-for-2 with two walks and a run scored at NC State on April 4
- Had a single, two walks and two runs scored at Louisville on April 12
- Was 2-for-3 with a triple and a career-high three RBI against Virginia in game two of a doubleheader on April 18
- Batted 2-for-3 with two RBI and a double in the final game of the series at Georgia Tech (4/26)
- Drove an RBI double off the wall, scored two runs and drew a walk in FSU's 15-1 victory at North Florida on May 3
- Hit a single and added a sac fly versus NC State at the ACC tournament on May 8
- Had a two-RBI single against Dartmouth in the NCAA Tallahassee Regional on May 15
- Drove in a run on a sacrifice fly against UCF on May 17 in the regional championship

SEASON-HIGHS

AB 4 8x, last at Georgia Tech (4/25)
 R 3 at Florida Atlantic (3/10)
 H 3 3x, last vs. Auburn (3/25)
 BB 2 4x, last at Louisville (4/12)
 RBI 3 vs. Virginia (4/18)

CAREER-HIGHS

AB 4 10x, last at Georgia Tech (4/25/15)
 R 3 at Florida Atlantic (3/10/15)
 H 3 4x, last vs. Auburn (3/25/15)
 BB 2 6x, last at Louisville (4/12/15)
 RBI 3 vs. Virginia (4/18/15)

15 KATIE BAKER • INF

- Had her first career at bat versus Boston College on February 28
- Pinch ran and scored a run versus Florida A&M on February 10
- Pinch ran and scored a run against UCLA on Feb. 21
- Ended the game versus Bethune-Cookman with a double play at second base, tagging the runner and throwing to first
- Scored on a sacrifice fly at Virginia Tech on March 21
- Pinch ran and scored at Louisville on April 12 in FSU's 9-1 victory
- Pinch ran at North Florida on May 3 and stayed in the game to record two at bats

SEASON-HIGHS

AB 2 at North Florida (5/3)
 R 1 8x, last vs. Virginia (4/18)
 H 1
 BB
 RBI

CAREER-HIGHS

AB 2 at North Florida (5/3/15)
 R 1 8x, last vs. Virginia (4/18/15)
 H
 BB
 RBI

16 JESSICA BURROUGHS • P

- 2015 ACC Tournament MVP
- 2015 ACC All-Tournament Team
- 2015 All-ACC Second Team
- Recorded her first career no-hitter versus Coastal Carolina on March 8, posting seven strikeouts and one walk over 5.0 innings
- Faced just one over the minimum, retiring 18 of the 19 batters she faced, in a complete game victory over Georgia Southern on Feb. 7
- Recorded a career-high 14 strikeouts against No. 6 Kentucky
- Posted a complete-game victory over No. 20 Nebraska on February 13, allowing just four hits, one run, one walk and recording six strikeouts
- Set a career high with 10.0 innings pitched and earned the complete-game victory over South Carolina on Feb. 19
- Recorded nine strikeouts in a complete game victory over Boston College on February 28
- Struck out 11 over 7.0 innings against Hofstra on March 7 as FSU came from behind to win 2-1.
- Struck out the first seven batters of the game on March 17 against Colgate; finished with a complete-game 5.0 inning victory with 13 Ks and zero walks
- Recorded her second straight 13-strikeout performance on March 18 in a loss to Troy.
- Registered nine strikeouts in a complete-game shutout of Pitt on March 28
- Tied a career high with 14 strikeouts in a 6.0-inning shutout of Florida A&M on April 1
- Earned her second career save at NC State on April 3, retiring all three batters she faced in the seventh inning as the Noles defeated the Wolfpack 6-5
- Posted her second save of the season on April 12, tossing the final 3.0 innings at Louisville without allowing a hit and striking out four in FSU's 9-1 win
- Recorded 12 strikeouts in 5.0 innings as the Noles posted a 8-0, run-rule victory over UVa on April 18
- Retired all five batters she faced, including two strikeouts, in a relief appearance at Florida on April 22
- Earned the win at Georgia Tech on April 26, tossing 4.0 innings and allowing one run on two hits with three strikeouts
- Struck out four batters in 2.0 shutout innings at North Florida on May 3
- Earned a save and recorded two wins in three relief appearances at the ACC Championships. She tossed 13.2 innings and posted 18 strikeouts while allowing just one run
- Allowed five hits and went 2-0 over three games and 16.1 innings of the NCAA Tallahassee Regional, including 16 strikeouts
- Has won nine straight decisions
- Allowed just one walk in her last 25.1 innings

SEASON-HIGHS

IP... 10.0 vs. South Carolina (2/19)
 H 8 vs. Auburn (3/25)
 R 10 vs. Auburn (3/25)
 ER 8 vs. Auburn (3/25)
 BB 7 vs. Auburn (3/25)
 SO 14 2x, last vs Florida A&M (4/1)

CAREER-HIGHS

IP... 10.0 vs. South Carolina (2/19/15)
 H 11 at Notre Dame (4/13/14)
 R 10 vs. Auburn (3/25/15)
 ER 8 vs. Auburn (3/25/15)
 BB 7 vs. Auburn (3/25/15)
 SO 14 2x, last vs Florida A&M (4/1/15)

PLAYER PAGES

BURROUGHS' CAREER APPEARANCES

2014 (21 STARTS, 28 APPEARANCES)

Date	Opp. (W-L-ND-SV)	GS	IP	H	R	ER	BB	K
2/7	vs. N.M. State (W) *	4.0	1 0	0 2	4	2	4	8
2/8	vs. St. Mary's (W)	* 5.0	6 3	2 2	3	3	2	3
2/14	vs. Southern Miss (W) *	7.0	3 1	1 0	9	0	0	9
2/15	vs. Southern Miss (W) *	3.2	2 0	0 2	5	0	2	5
2/16	vs. Southern Miss (W) *	3.0	0 0	0 0	3	0	0	3
2/21	vs. Charleston So. (W) *	5.0	5 2	2 2	5	2	2	5
2/28	vs. Purdue (W)	* 4.1	3 1	1 1	2	1	1	2
3/1	vs. Purdue (W)	* 4.1	3 1	1 3	3	1	3	3
3/8	at Virginia (W)	* 5.0	1 0	0 1	8	0	1	8
3/11	vs. Virginia Tech (L)	* 3.1	4 4	3 4	3	4	3	3
3/16	vs. NC State (W)	* 7.0	2 1	1 0	10	1	0	10
3/19	at N. Florida (W)	* 4.1	1 0	0 1	5	0	1	5
3/22	at Boston College (W) *	7.0	6 1	1 2	10	1	2	10
3/30	at North Carolina (ND) *	3.2	4 2	2 3	3	3	2	3
4/5	vs. Maryland (ND)	* 1.0	3 4	4 3	1	4	3	1
4/6	vs. Maryland (W)	* 4.2	3 3	3 4	3	4	3	3
4/9	vs. Florida (ND)	* 0.1	0 0	0 0	1	0	0	1
4/13	at Notre Dame (ND)	* 6.0	11 7	7 3	1	7	3	1
4/13	at Pitt (W)	* 5.0	2 2	0 3	9	2	0	3
4/19	vs. Syracuse (W)	* 7.0	6 0	0 2	10	0	0	10
4/20	vs. Syracuse (ND)	* 2.0	1 0	0 0	3	0	0	3
4/26	vs. Georgia Tech (W)	* 7.0	2 0	0 1	8	0	0	1
4/27	vs. Georgia Tech (SV)	1.0	0 0	0 1	0	0	1	0
5/8	vs. Georgia Tech (W)	5.0	4 1	1 3	4	1	3	4
5/16	vs. Fordham (ND)	2.0	2 1	0 1	4	1	0	1
5/22	vs. Michigan (ND)	3.0	5 4	3 1	3	4	3	1
5/29	vs. Oregon (ND)	1.0	1 0	0 0	1	0	0	1
5/31	vs. Baylor (ND)	3.0	2 2	2 0	4	2	2	0

2015 (26 STARTS, 37 APPEARANCES)

Date	Opp. (W-L-ND-SV)	GS	IP	H	R	ER	BB	K
2/7	vs. Ga. Southern (W)	* 6.0	1 0	0 0	8	0	0	8
2/8	vs. Kentucky (L)	* 7.0	3 3	0 1	14	3	0	14
2/10	at Florida A&M (ND)	* 3.0	4 4	0 3	7	4	0	3
2/13	vs. Nebraska (W)	* 7.0	4 1	1 1	6	4	1	1
2/14	vs. Michigan (ND)	* 4.0	5 4	3 1	0	4	3	1
2/15	vs. Nebraska (ND)	* 2.0	2 1	1 2	1	2	1	1
2/19	vs. South Carolina (W) *	10.0	6 3	2 3	5	6	3	5
2/21	vs. Cal (L)	1.2	5 7	7 2	3	5	7	2
2/28	vs. Boston College (W) *	7.0	3 1	1 4	9	3	1	4
3/6	vs. Bethune-Cookman (W) *	5.0	2 0	0 0	5	2	0	0
3/7	vs. Hofstra (W)	* 7.0	4 1	1 1	11	4	1	1
3/8	vs. Coastal Carolina (W) *	5.0	0 0	0 1	7	0	0	1
3/10	at FAU (ND)	2.0	1 0	0 0	1	0	0	0
3/14	vs. Notre Dame (W)	* 6.0	5 3	3 3	4	5	3	3
3/15	vs. Notre Dame (L)	* 3.0	5 7	6 2	2	5	7	6
3/17	vs. Colgate (W)	* 5.0	2 0	0 0	13	2	0	0
3/18	vs. Troy (L)	* 7.2	4 5	4 3	13	4	5	4
3/21	at Virginia Tech (ND)	* 4.2	5 4	4 2	3	5	4	4
3/25	vs. Auburn (L)	* 4.1	8 10	8 7	5	8	10	8
3/28	vs. Pitt (W)	* 7.0	2 0	0 0	9	2	0	0
4/1	vs. Florida A&M (W)	* 6.0	2 0	0 0	14	2	0	0
4/3	at NC State (SV)	1.0	0 0	0 0	1	0	0	0
4/3	at NC State (W)	* 6.0	3 1	1 4	4	3	1	4
4/4	at NC State (ND)	1.2	2 3	3 2	0	2	3	3
4/8	vs. Florida (ND)	4.1	6 3	3 5	6	6	3	5
4/12	at Louisville (SV)	3.0	0 0	0 1	4	0	0	1
4/18	vs. Virginia (W)	* 5.0	1 0	0 2	12	1	0	2
4/22	at Florida (ND)	1.2	0 0	0 0	2	0	0	0
4/25	at Georgia Tech (ND)	* 3.1	4 2	2 4	4	4	2	2
4/26	at Georgia Tech (W)	* 4.0	2 1	1 2	3	2	1	1
5/3	at North Florida (ND)	* 2.0	1 0	0 0	4	1	0	0
5/7	vs. Boston College (SV)	3.0	1 0	0 2	7	1	0	0
5/8	vs. NC State (W)	6.0	6 1	1 2	5	6	1	2
5/9	vs. Pitt (W)	4.2	1 0	0 0	6	1	0	0
5/15	vs. Dartmouth (W)	3.1	1 0	0 0	4	1	0	0
5/16	vs. UCF (ND)	* 6.0	2 1	1 1	6	2	1	1
5/17	vs. UCF (W)	* 7.0	2 0	0 0	6	2	0	0

18 VICTORIA EAST • UT

- Tied a career high with three hits and three runs scored as FSU defeated Florida A&M on Feb. 10
- Drove in an RBI against No. 12 UCLA on Feb. 21
- Went 2-for-3 with a walk against Boston College on February 28
- Hit two doubles and drove in a career-high four RBI against Coastal Carolina on March 6
- Drew a walk, stole a base and scored a run versus Bethune-Cookman on March 6
- Scored two runs in FSU's 8-0 win over Colgate on March 17
- Pinch-ran and scored, and later hit an RBI double on March 22 at No. 25 Virginia Tech
- Went 2-for-3 with two RBI and a run scored in the first game of a doubleheader against Pitt on March 28
- Batted 2-for-4 at NC State on April 3
- Hit a double and scored a run against No. 3 Florida on April 8
- Came off the bench and went 2-for-2 with a run scored at Louisville on April 12
- Was a reserve player in each game of the Virginia series (April 18-19) but batted 2-for-3 with a double, five RBI and three runs scored
- Hit an RBI single versus Pitt in the ACC Championship game on May 9

SEASON-HIGHS

AB 4 4x, last at NC State (4/3)
 R 3 at Florida A&M (2/10)
 H 3 at Florida A&M (2/10)
 BB 1 12x, last at Georgia Tech (4/26)
 RBI 4 vs. Coastal Carolina (3/6)

CAREER-HIGHS

AB 5 at Notre Dame (4/13/14)
 R 3 3x, last at Florida A&M (2/10/15)
 H 3 6x, last at Florida A&M (2/10/15)
 BB 2 3x, last at Alabama (3/2/14)
 RBI 4 vs. Coastal Carolina (3/6/15)

24 VICTORIA DADDIS • UT

- 2015 ACC All-Tournament Team
- Had a base hit up the middle against Georgia Southern on February 8
- Hit a pinch-hit two-RBI triple to center against Oklahoma State on February 20
- Drove in an RBI on a sacrifice fly against Bethune-Cookman on March 6
- Had a career-high three RBI against Colgate on March 17 after a pinch-hit, bases-clearing double in the fifth inning
- Hit a pinch-hit RBI double to tie the game in the seventh inning at No. 25 Virginia Tech on March 21. The Seminoles would go on to win 7-5 in eight innings
- Started each of the last two games at No. 25 Virginia Tech and posted four hits, three RBI, including a two-RBI double to give FSU the lead on March 22 as the Seminoles swept the Hokies
- Hit her first career home run - a solo shot to left field - as part of a seven-run second inning against No. 9 Auburn on March 25
- Added a career-high two walks in game two of the doubleheader against Auburn on March 25
- Hit a solo home run and finished with two RBI against Pitt on March 28
- Set career highs in runs scored (2) and RBI (4) and tied in hits (2) after she crushed a grand slam in the bottom of the sixth to secure a 11-0 run-rule victory over Florida A&M on April 1
- Had a pair of two-hit performances at Louisville on April 11 and 12, adding a double in game one and a triple with two runs scored in game two - matching career highs in all categories
- Had a pinch-hit single at Georgia State on April 27
- Scored a run and drove in an RBI at North Florida on May 3
- Hit an RBI single and added a two-run home run versus NC State in the ACC semifinal game on May 8
- Tied a career high with two walks and scored the go-ahead run versus Pitt in the ACC Championship game on May 9

SEASON-HIGHS

AB 4 4x, last at Louisville (4/12)
 R 2 2x, last at Louisville (4/12)
 H 2 6x, last vs. NC State - ACC (5/8)
 BB 2 2x, last vs. Pitt - ACC (5/9)
 RBI 4 vs. Florida A&M (4/1)

CAREER-HIGHS

AB 4 4x, last at Louisville (4/12/15)
 R 2 2x, last at Louisville (4/12/15)
 H 2 6x, last vs. NC State - ACC (5/8/15)
 BB 2 2x, last vs. Pitt - ACC (5/9/15)
 RBI 4 vs. Florida A&M (4/1/15)

PLAYER PAGES

25 MACEY CHEATHAM • C

- Had a base hit and a run scored versus No. 7 Michigan on February 14.
- Drew a walk in her only plate appearance versus Cal on February 21
- Walked and scored a run against Boston College on March 1
- Had a base hit and an RBI against Pitt on March 28
- Drove in a run on a sacrifice fly against Florida A&M on April 1
- Scored a run in each game played at NC State (April 3 and April 4)
- Hit her first career extra-base hit with a leadoff double in the seventh inning at Georgia State on April 27 and finished with a career-high-tying two runs scored
- Scored a run at North Florida on May 3
- Posted a sac bunt and scored a run versus NC State on May 8 at the ACC tournament
- Hit a bunt single, walked and tied a career high with two runs scored against UCF on May 17 to help the Seminoles win the NCAA Tallahassee Regional
- Has hit 10 sacrifice bunts, ranking first in the conference

SEASON-HIGHS

AB 3 at Florida Atlantic (3/7)
 R 2 2x, last vs. UCF - NCAA (5/17)
 H 1 6x, last vs. UCF - NCAA (5/17)
 BB 1 12x, last vs. UCF - NCAA (5/17)
 RBI 1 2x, last vs. Florida A&M (4/1)

CAREER-HIGHS
 AB 3 5x, last at Florida Atlantic (3/7/15)
 R 2 5x, last vs. UCF - NCAA (5/17/15)
 H 2 vs. Boston College (4/7/13)
 BB 2 2x, last at Pitt (4/16/14)
 RBI 1 4x, last vs Florida A&M (4/1)

27 BAILEY SCHINELLA • P/UT

- 2015 ACC All-Tournament Team
- Pitched in the second no-hitter of her career as she and Waldrop shut down Georgia Southern on Feb. 8
- Hit her first career grand slam in the first inning against Georgia Southern (Feb. 8)
- Started the season on a six-game hitting streak
- Set a career high with three hits as she went 3-for-4 against No. 7 Michigan on February 14
- Entered to pitch against No. 20 Nebraska with one out in the sixth inning and the bases loaded and retired all five batters to earn her fifth career save
- Went 2-for-3 with a walk and an RBI in the win over UCLA on February 21
- Hit a two-RBI double and scored a run against Boston College on February 28. Also finished the game in the circle, tossing 2.0 scoreless innings giving up just one walk and striking out two
- Walked twice versus Boston College on March 1 to set a season high
- Hit a RBI sacrifice fly against USC Upstate on March 12
- Went 2-for-3 from the plate with a double versus Colgate on March 17
- Had a base hit, an RBI and a run scored against Troy on March 18
- Hit a double and finished 2-for-2 with an RBI and a run scored in game two of the doubleheader against Auburn on March 25
- Came in to pitch the final 2.2 innings of the game against Auburn and limited the Tigers to only one hit and zero runs. Auburn entered the game averaging 9.6 hits and 9.1 runs per game.
- Drove in two RBI and pitched a scoreless 2.0 innings from the circle as the Noles defeated NC

State on the road, 6-5, on April 3

- Added three RBI in game two of the doubleheader as FSU won 10-1 in six innings on April 3
- Made her first career pitching start on April 8 against No. 3 Florida and allowed two runs on three hits in 2.0 innings
- Had a base hit, walked and scored two runs against Virginia on April 18
- Earned her first win of the season in game two of the doubleheader at Georgia Tech on April 25, tossing 1.2 innings of relief without allowing a hit or a run
- Went 2-for-4 with a double and an RBI at Georgia Tech on April 26
- Had a base hit and scored a run at North Florida on May 3
- Posted two hits and recorded three RBI in FSU's 4-2 win over Boston College in the ACC quarterfinal game on May 7
- Added two hits and scored two runs versus NC State on May 8
- Entered the game to pitch in the seventh inning with multiple runners on base against UCF and tossed 1.0 shutout innings, allowing just one intentional walk to load the bases to create a force out opportunity
- Hit a double versus UCF in the NCAA Tallahassee Regional on May 17

SEASON-HIGHS – HITTING

AB 5 vs. South Carolina (2/19)
 R 3 at Florida A&M (2/10)
 H 3 vs. Michigan (2/14)
 BB 2 2x, last vs. Pitt (3/28)
 RBI 4 vs. Georgia Southern (2/8)

SEASON-HIGHS – PITCHING

IP 3.2 vs. Tennessee (2/19)
 H 6 vs. Tennessee (2/19)
 R 5 vs. Notre Dame (3/15)
 ER 3 2x, last vs. Notre Dame (3/15)
 BB 4 vs. Tennessee (2/19)
 SO 2 vs. Tennessee (2/19)

CAREER-HIGHS – HITTING

AB 5 at Notre Dame (4/13/14)
 R 3 2x, last at Florida A&M (2/10/15)
 H 3 vs. Michigan (2/14/15)
 BB 2 7x, last vs Pitt (3/28/15)
 RBI 4 2x, last vs. Georgia Southern (2/8/15)

CAREER-HIGHS – PITCHING

IP 3.2 vs. Tennessee (2/19/15)
 H 6 vs. Tennessee (2/19/15)
 R 5 vs. Notre Dame (3/15/15)
 ER 4 vs. Appalachian State (3/2/13)
 BB 5 vs. FIU (3/12/13)
 SO 4 vs. UC Santa Barbara (3/4/12)

SCHINELLA'S CAREER APPEARANCES

2012 (0 STARTS, 13 APPEARANCES)

Date	Opp. (W-L-ND-SV)	GS	IP	H	R	ER	BB	K
2/10	vs. SFA (W)		2.1	0	0	0	0	1
2/11	vs. Tenn. Tech (SV)		2.0	2	1	1	2	0
2/17	vs. W. Carolina (ND)		1.0	0	0	0	0	0
2/18	vs. N. Dakota St. (SV)		2.2	1	1	0	0	1
2/24	vs. St. John's (SV)		1.1	1	0	0	1	2
2/26	vs. Wisconsin (ND)		1.0	2	1	0	0	0
3/4	vs. UCSB (W)		3.0	1	0	0	1	4
3/11	vs. NC State (ND)		1.0	1	0	0	0	0
3/17	vs. Fairfield (SV)		2.0	0	0	0	0	3
3/18	at USF (L)		1.2	1	1	1	1	1
3/20	vs. Jacksonville (ND)		1.0	0	0	0	0	0
3/29	vs. Florida GC (ND)		1.0	1	0	0	1	1
5/11	vs. Georgia Tech (ND)		1.0	3	3	3	2	0

2013 (0 STARTS, 8 APPEARANCES)

Date	Opp. (W-L-ND-SV)	GS	IP	H	R	ER	BB	K
2/22	vs. LIU Brooklyn (ND)		1.0	0	0	0	2	0
3/1	vs. Troy (ND)		0.1	0	0	0	1	1
3/2	vs. App. St. (ND)		1.0	2	4	4	3	0
3/5	vs. Presbyterian (ND)		1.0	0	0	0	0	1
3/12	vs. FIU (ND)		1.1	1	3	1	5	0
3/30	at Maryland (ND)		1.0	0	0	0	0	0
3/31	at Maryland (ND)		1.2	1	1	1	2	1
4/17	vs. Florida (ND)		0.1	0	1	1	2	0

2014 (0 STARTS, 4 APPEARANCES)

Date	Opp. (W-L-ND-SV)	GS	IP	H	R	ER	BB	K
2/8	vs. UTEP (ND)		1.0	1	0	0	0	0
2/8	vs. St. Mary's (ND)		1.0	1	0	0	0	0
2/15	vs. N. Dakota St. (ND)		1.0	0	0	0	1	0
3/19	at North Florida (ND)		0.2	0	0	0	1	2

2015 (1 START, 12 APPEARANCES)

Date	Opp. (W-L-ND-SV)	GS	IP	H	R	ER	BB	K
2/8	vs. Ga. Southern (ND)		1.0	0	0	0	0	1
2/10	at Florida A&M (ND)		1.0	1	0	0	0	0
2/15	vs. Nebraska (SV)		1.2	0	0	0	0	1
2/19	vs. Tennessee (ND)		3.2	6	3	3	4	2
2/28	vs. Boston College (ND)		2.0	0	0	0	1	2
3/14	vs. Notre Dame (ND)		1.0	1	0	0	2	1
3/15	vs. Notre Dame (ND)		2.0	4	5	3	1	0
3/18	vs. Troy (ND)		0.1	1	1	1	0	1
3/25	vs. Auburn (ND)		2.2	1	0	0	4	1
4/3	at NC State (ND)		2.0	1	0	0	0	1
4/8	vs. Florida (L)	*	2.0	3	2	2	2	1
4/25	at Georgia Tech (W)		1.2	0	0	0	1	1

PLAYER PAGES

28 BELLA D'ERRICO • UT

- Played in her first game of the season on March 6 against Bethune-Cookman and scored a run
- Scored a run against Troy on March 18
- Pinch ran and scored in game one and game three of the road series at No. 25 Virginia Tech
- Scored a run against No. 9 Auburn on March 25
- Pinch ran and scored in each appearance at NC State on April 3 and 4
- Scored a run in each of the last two games of the Virginia series on April 18-19
- Pinch-ran and scored the winning run in a 2-1, eight-inning victory at Georgia Tech on April 25. She reached second on a wild pitch, stole third with two outs and scored on an infield single by Lauren Harris
- Entered the game to play left field and had her first career at bat on May 3 at North Florida.
- Pinch ran and scored against both Boston College and NC State at the ACC Championships

SEASON-HIGHS

AB 1 at North Florida (5/3)
R 1 14x, last vs. NC State (5/8)
H
BB
RBI

CAREER-HIGHS

AB 1 at North Florida (5/3/15)
R 1 25x, last vs. NC State (5/8/15)
H
BB
RBI

30 JESSICA WARREN • INF

- 2015 ACC Freshman of the Year
- 2015 All-ACC First Team
- 2015 ACC All-Tournament Team
- 2015 NFCA Southeast All-Region Second Team
- Had an amazing first day of her collegiate career, batting a combined 5-for-7 with two doubles, two home runs, four RBI and four runs scored versus Georgia Southern and No. 6 Kentucky
- Went 2-for-3 with a triple and a run scored versus Tennessee on February 19
- Drove in two RBI versus South Carolina on Feb 19
- Batted 2-for-2 with two walks, a double and two runs scored versus No. 12 UCLA to close out the Mary Nutter Classic on February 21
- Went 2-for-3 with a home run, two RBI and two runs scored against Boston College on Feb. 28
- Drove in a career-high three RBI versus Coastal Carolina on March 6
- Drew two walks and scored two runs in a 12-0 win over Bethune-Cookman on March 6
- Hit a walk-off, three-run home run versus Notre Dame on March 14; finished 2-for-4 from the plate in the game with two runs scored
- Posted an eight-game hitting streak from February 15 to February 28
- Recorded a 15-game streak of reaching base from February 15 to March 10
- Hit a two-run home run and finished with two walks and two runs scored against Colgate (3/17)
- Hit a solo home run in the eighth inning of game two of a doubleheader at No. 25 Virginia Tech on March 22 as the Seminoles defeated the Hokies, 7-6
- Hit a solo home run against No. 9 Auburn (3/25)
- Went 2-for-3 with three RBI on a triple and a home run against Pitt on March 28
- Batted .667 (6-for-9) with a 1.222 slugging percentage on two doubles and a home run with four RBI and three runs scored in the series at NC State in April 3-4
- Had at least one base hit and one run scored in nine games from March 25 to April 4
- Went 2-for-4 with a two-RBI single and a two-RBI home run at Louisville on April 12 to help FSU to a 9-1 win on the road
- Went 3-for-3 with two solo home runs and an RBI single in the series finale at Georgia Tech on April 26
- Launched a go-ahead home run at Georgia State and finished with three RBI as the Seminoles defeated the Panthers, 6-3, on April 27
- Batted 2-for-3 with two runs scored and an RBI at North Florida on May 3
- Hit a go-ahead two-run single in the bottom of the sixth versus Pitt in the ACC Championship game (5/9)
- Scored the winning run in Florida State's 2-1 come-from-behind victory over UCF on May 16
- Went 1-for-2 with three RBI in the regional championship game vs. UCF on May 17
- Leads the team with 16 home runs, which sits second in a single season in FSU history

SEASON-HIGHS

AB 5 4x, last at Virginia Tech (3/21)
R 3 2x, last at Georgia Tech (4/26)
H 3 3x, last at Georgia Tech (4/26)
BB 4 vs. UCF - NCAA (5/16)
RBI 4 at Louisville (4/12)

CAREER-HIGHS

AB 5 4x, last at Virginia Tech (3/21/15)
R 3 2x, last at Georgia Tech (4/26/15)
H 3 3x, last at Georgia Tech (4/26/15)
BB 4 vs. UCF - NCAA (5/16/15)
RBI 4 at Louisville (4/12/15)

32 RYLAN HARVEY • 1B

- Made the first at-bat of her career on February 10 after redshirting 2014 due to injury
- Made her first career start as the designated player versus South Carolina on February 19
- Drew a walk against Boston College on February 28
- Had a pinch-hit single against Florida on April 8
- Hit a game-ending RBI single in the fifth inning against Virginia on April 18
- Hit her first career double, scored the first run of her career and finished with a career-high two RBI in FSU's 15-1 victory at North Florida on May 3

SEASON-HIGHS

AB 3 2x, last vs. Oklahoma State (2/20)
R 1 at North Florida (5/3)
H 1 4x, last at North Florida (5/3)
BB 1 2x, last vs. Boston College (2/28)
RBI 2 at North Florida (5/3)

CAREER-HIGHS

AB 3 2x, last vs. Oklahoma State (2/20/15)
R 1 at North Florida (5/3/15)
H 1 4x, last at North Florida (5/3/15)
BB 1 2x, last vs. Boston College (2/28/15)
RBI 2 at North Florida (5/3/15)

44 LAUREN HARRIS • OF

- Pinch ran and scored runs against South Carolina and UCLA at the Mary Nutter Classic in Palm Springs, Calif.
- Scored a run against Boston College on March 1
- Made an amazing catch in right field - crashing into the wall to save extra bases and multiple runs - against Troy on March 18
- Posted her first hit of the season and scored a career-high two runs as the Seminoles completed the series sweep with a 5-2 win at No. 25 Virginia Tech on March 22
- Recorded the first outfield assist of her career against No. 9 Auburn on March 25, throwing out a runner at the plate after a single to right field
- Hit a game-winning RBI single to defeat Georgia Tech on April 25 and give the Noles a 2-1, eight-inning victory
- Reached on an error and came around to score a run versus NC state on May 8 at the ACC tournament
- Made a great catch crashing into the wall in foul territory in right field against UCF on May 17

SEASON-HIGHS

AB 2 vs. Hofstra (3/7)
R 2 at Virginia Tech (3/22)
H 1 2x, last at Georgia Tech (4/25)
BB
RBI 1 at Georgia Tech (4/25)

CAREER-HIGHS

AB 3 vs. UCSB (2/22/14)
R 2 at Virginia Tech (3/22/15)
H 2 vs. UCSB (2/22/14)
BB
RBI 2 vs. UCSB (2/22/14)

2015 TEAM PHOTO ROSTER



2
**Morgan
 Klaevemann**
 FR - OF
 Refugio, Texas



4
**Megan
 McReynolds**
 FR - 1B
 Winter Garden, Fla.



5
**Alex
 Kossoff**
 JR - OF
 Redondo Beach, Calif.



7
**Maddie
 O'Brien**
 R-SR - SS
 Palm Harbor, Fla.



8
**Korina
 Rosario**
 FR - OF/P
 Pensacola, Fla.



11
**Alex
 Powers**
 R-SO - 1B
 Melbourne, Fla.



13
**Lacey
 Waldrop**
 SR - P
 Chester, Va.



14
**Ellie
 Cooper**
 SO - UT
 Fenton, Mo.



15
**Katie
 Baker**
 FR - INF
 Tallahassee, Fla.



16
**Jessica
 Burroughs**
 R-SO - P
 Warner Robins, Ga.



18
**Victoria
 East**
 JR - UT
 Pensacola, Fla.



24
**Victoria
 Daddis**
 SO - UT
 St. Johns, Fla.



25
**Macey
 Cheatham**
 JR - C
 Wellington, Fla.



27
**Bailey
 Schinella**
 SR - UT/P
 Valrico, Fla.



28
**Bella
 D'Errico**
 SO - OF
 Ponte Vedra Beach, Fla.



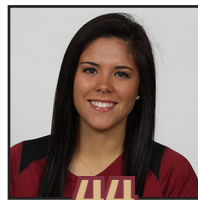
30
**Jessica
 Warren**
 FR - INF
 Tampa, Fla.



31
**Sienna
 Surber**
 FR - BC
 Jackson, Mich.



32
**Rylan
 Harvey**
 R-FR - 1B
 Mont Belvieu, Texas



44
**Lauren
 Harris**
 SO - OF
 St. Cloud, Fla.



48
**Meghan
 King**
 FR - P
 Parkland, Fla.



HG
**Lonni
 Alameda**
 Head Coach



AG
**Travis
 Wilson**
 Assistant Coach



AG
**Craig
 Snider**
 Assistant Coach

