

The B22 subwoofer datasheet



B22 subwoofer

The B22-SUB is a high performance subwoofer designed for ground stacked applications, housing two long excursion 18" drivers built into a bandpass horn cabinet design. With high Sound Pressure Levels and an extended frequency response, the B22-SUB is ideal for any large format sound reinforcement application. When operated in INFRA mode, the B22-SUB can be used to complement other d&b subwoofers by extending the frequency response of the system. When three or any multiple of three B22 subwoofers are used, they can be positioned in a Cardioid Subwoofer Array, achieving impressive directivity control at lower frequencies and significantly reducing the energy radiating towards to the rear.

The cabinet is constructed from marine plywood, and has an impact resistant paint finish. The front of the loudspeaker cabinet is protected by a rigid metal grill backed by an acoustically transparent foam. The side panels of the B22-SUB both incorporate four handles, whilst four wheels are mounted to the rear. The enclosure features two runners to protect the bottom panel from scratching. Two correspondingly shaped recesses are incorporated into the top panel of each B22-SUB cabinet to accept these runners, preventing cabinet movement when stacked.

d&b amplifiers

The d&b audiotechnik loudspeaker range is designed exclusively for operation with d&b amplifiers. These provide power as well as comprehensive control and protection functions tailored to achieve the performance, reliability and longevity associated with the d&b System approach. The d&b D80 amplifier is recommended to drive the B22-SUB. The d&b D20, 30D and D12 amplifiers can also be used with the appropriate loudspeaker configuration selected.

System data

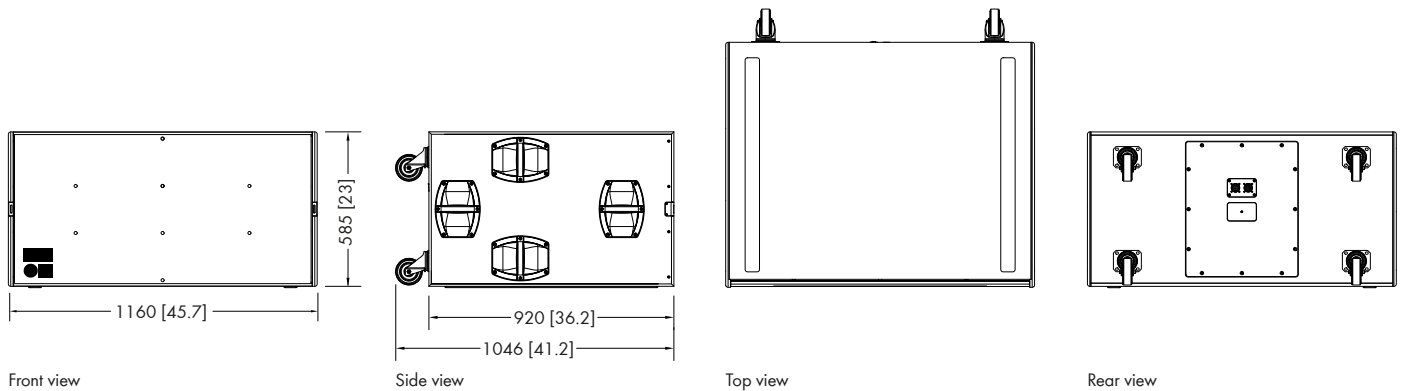
Frequency response (-5 dB standard).....	37 Hz - 90 Hz
Frequency response (-5 dB INFRA mode).....	32 Hz - 68 Hz
Max. sound pressure (1 m, free field) ¹	
with D12/D20/30D	140 dB
with D80	143 dB

Loudspeaker data

Nominal impedance.....	4 ohms
Power handling capacity (RMS/peak 10 msec) ...	1000/4000 W
Components	2 x 18" driver with neodymium magnet
Connections	2 x NLT4 F/M
.....	optional 2 x EP5
Weight.....	106 kg (234 lb)

¹ Broadband measurement, pink noise, crest factor 4, peak measurement, linear weighting

The B22 subwoofer datasheet



B22-SUB cabinet dimensions in mm [inch]

Features and benefits

- High performance subwoofer intended for ground stacked applications
- Two 18" long excursion neodymium LF drivers built into a bandpass horn cabinet
- High Sound Pressure Levels for use in any large format sound reinforcement application
- INFRA mode extends the operating frequency response even further to supplement other d&b subwoofers
- Any three or multiple of three B22-SUBs can be used in a Cardioid Subwoofer Array to reject low frequency energy radiating towards the rear
- Efficient cabinet design produces very high Sound Pressure Levels

Applications

Mobile music and live program reinforcement • Live performance venues • Infrabass subwoofer to supplement other d&b systems • Night clubs

Architectural specifications

The loudspeaker shall be an actively driven subwoofer housing a pair of 18" long excursion neodymium LF drivers built into a bandpass horn cabinet.

The loudspeaker shall only be operated by a dedicated, compatible controller amplifier.

The cabinet enclosure shall be made from marine plywood with an impact resistant paint finish.

The driver shall be protected by a rigid metal grill backed by an acoustically transparent foam. The cabinet shall incorporate four handles in each side panel and four heavy duty transport wheels at the cabinet's rear.

Two runners shall be incorporated in the bottom panel and two corresponding recesses in the top panel shall be incorporated to prevent movement of stacked cabinets.

The connection panel on the back shall be recessed and fitted with speakon NLT4 F/M sockets (EP5 connectors as an option).

The power handling capacity shall be 1000 W RMS and 4000 W peak (10 ms). The frequency response (-5 dB) measured on axis shall be 32 Hz to 90 Hz with a maximum sound pressure of at least 143 dB.

The dimensions (WxHxD) shall not exceed 1160 x 585 x 1046 mm (45.7" x 23" x 41.2") and shall weigh no more than 106 kg (234 lb).

The loudspeaker shall be the B22-SUB by d&b audiotechnik GmbH.