



Q·7

RGBW LED flood blind strobe



Description

The Q-7 has defined a new level of power, accuracy, and flexibility in the lighting world, well-known as the most versatile strobe light in the industry. Not only is it a stunningly bright audience blinder, it is also a low-profile flood light and an accurate wide-angle wash luminaire. Its excellent performance in any conditions is the primary reason why some of the top lighting designers choose the Q-7 as their main light for touring, events, theatrical productions, architectural installs, or corporate shows. Due to its revolutionary product features, the Q-7 won the prestigious PIPA Award for Best Lighting Product of the Year 2015.

Features and benefits

- ✓ High performance IP65 RGBW LED light source
- ✓ Powerful high-speed strobe / More than 25163 lumens
- ✓ Accurate 16bit dimming performance
- ✓ Flicker-free / Programmable scenes
- ✓ 110° wide-angle coverage
- ✓ DMX, RDM, and wireless control
- ✓ 2000K - 10000K CTC control
- ✓ Practically maintenance-free

Certifications & classifications

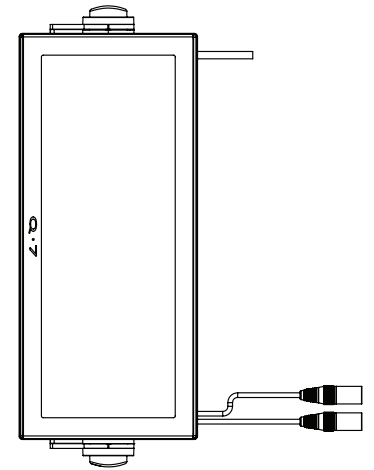
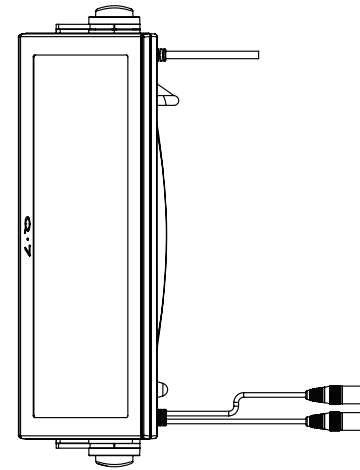
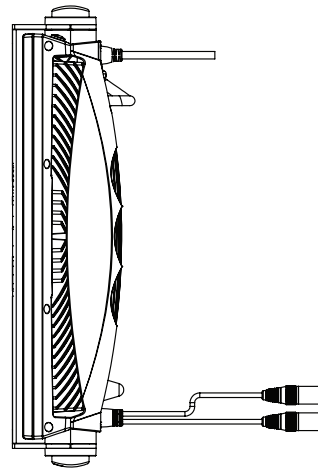
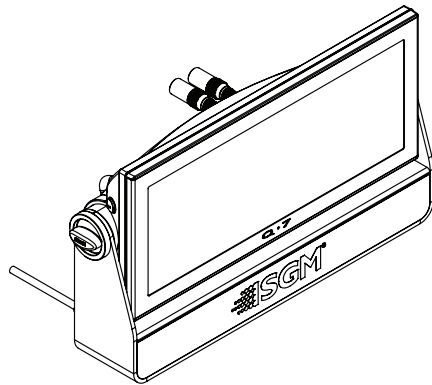
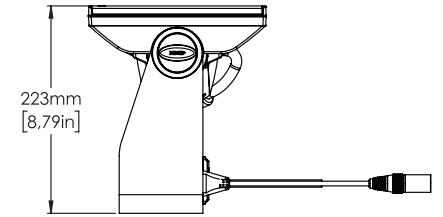
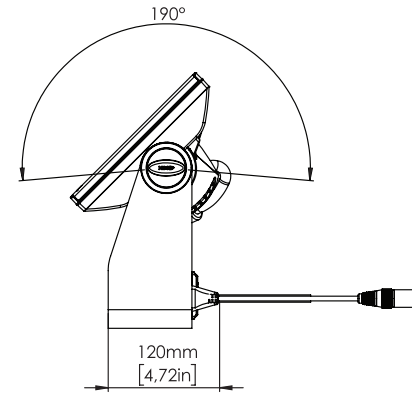
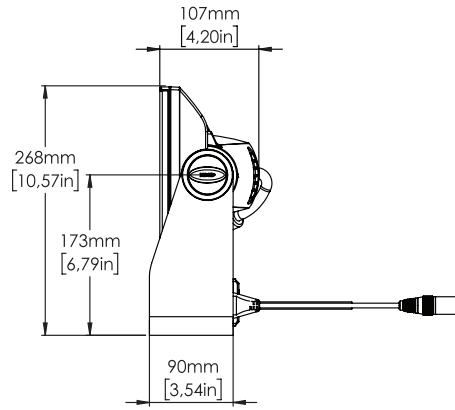
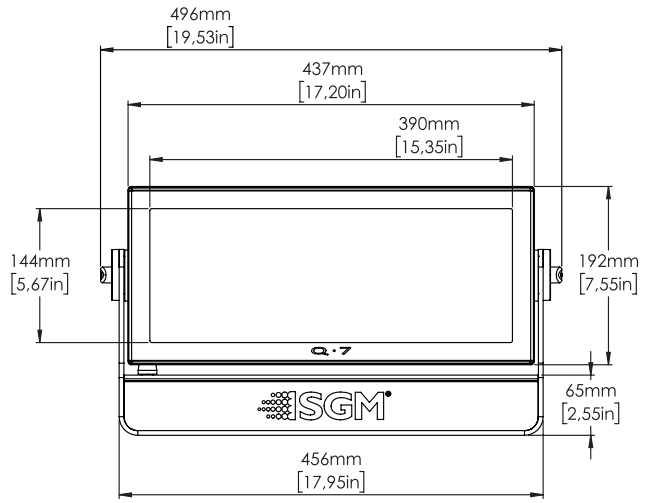
IP65

RoHS

CE

ETL US

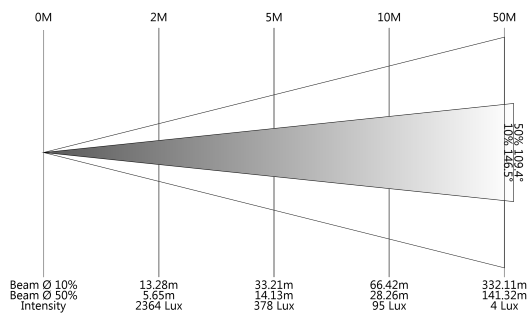
ECO FRIENDLY



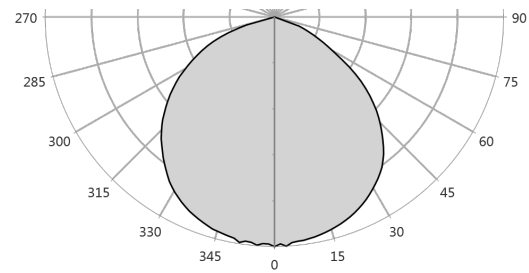
Manufacturer SGM
Luminaire Q-7 All on raw peak
Measurement Date 17-01-2018
Power Consumption 473 W
Light Output 25 163 lm
Field Angle 146.5 deg
Beam Angle 109.4 deg
Color Temperature 8 483 K



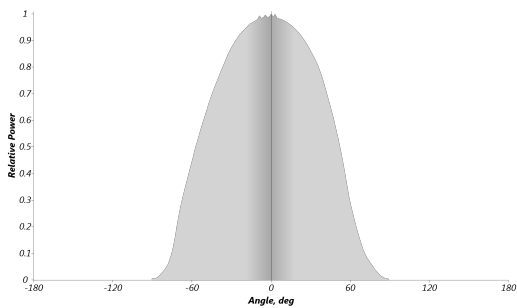
Lux Diagram



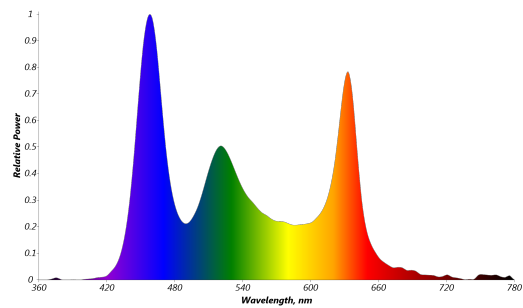
Polar Distribution



Beam Profile



Spectral Distribution



Specification

Optical Data	LED expected lifetime	50,000 hours
	Lens	110° fixed
	Lightsource	2,000 x RGBW SMD LEDs (5,700K)
Photometric	Beam angle(s)	110° (with 110° lens)
	Color temperature range	2000K - 10000K
	CRI typical	84
	Efficacy	53 lm/W
	Light output all LEDs on	25163 lm
	Light output blue	1256 lm
	Light output green	6948 lm
	Light output red	3193 lm
	Lux @ 10m	95 lux
	Lux @ 3m	1051 lux
	Lux @ 5m	378 lux
	Maximum Field Angle	146 °
Physical	Color options	Black - RAL 9004 Custom color - Any RAL White - RAL 9010
	IP class	IP65
	Lens material	Tempered glass front
	Material	Aluminium
	Net dimensions	497 x 268 x 122 mm
	Net dimensions inches	19.6 x 10.6 x 4.8 inches
	Net weight	8.1 kg (17.9 lbs)
Features	Dimming	Electronic
	Strobe	Ultra-high-speed strobe effects
	Tilt	0 - 190°
Electrical	AC Power, nominal	208 - 240V 50/60Hz
	Electrical Protection	Overload protection
	Max Inrush Current	20 A
	Max Inrush Current 230VAC	45 A
	Max power consumption	465 W
	Power factor	0.99 PF (230 V)
	Standby power consumption	8 W

	Typical power consumption	450 W
Programming and Control	16-bit control	Dimmer, Red, Green, Blue
	Cabled DMX	5 pin XLR input/output
	DMX channels	3, 4, 6, 8, 9 or 10
	DMX modes	7
	Protocol	USITT DMX512A Wireless DMX (LumenRadio) RDM ANSI E1.20
	Setting and addressing	OLED graphical display / 4 buttons RDM ANSI E1.20 RFID Standalone mode
	Standalone mode	Quick Color Standalone mode programmable via RFID Up to 24 programmable scenes
	Wireless DMX	Lumen Radio with RDM
Connections	DMX data in/out	IP65 XLR 5-pin cable 0.5m
	Power	Power cable 1 meter with bare ends
Installation	Mounting point	2 x 2 quarter-turn locking points for one or two Omega brackets
	Orientation	Any
	Rigging possibilities	Floor stand (included) or hanging (Omega clamps included)
	Safety features	Bottom mount for safety wire Minimum distance to combustible materials: 0.3 meter (11 in).
Thermal	Cooling	Active, Forced Air, Temperature- regulated
	Humidity (max.)	98 %
	Temperature range, Operating	-40°C to 50°C
	Temperature range, Start-up	-20°C to 50°C
	Temperature range, Storage	-40°C to 80°C
	Thermal Protection	Automatic overtemperature protection
Included items	Included items	Wireless DMX antenna Mounting bracket (incl. screws) 2 Omega bracket with quarter-turn fasteners Safety instructions and installation quick guide
Conforms To	CE - 2014/30/EU: EMC Directive	EN 55103-1

EN 55103-2
EN 55015
EN 61547
EN 61000-3-2
EN 61000-3-3

CE - 2014/35/EU: Low Voltage
Directive

EN 60598-1
EN 60598-2-17
EN 62471
EN 60529

RoHS2 Directive
UL

2011/65/EU
UL Std. 1573

Certified To

CSA

CSA E60598-1, Ed: 2
CSA-E598-2-17-98, Ed: 1

NOTES:

Due to continuous improvements and innovations, specifications may change without notice.

LEDs' expected lifetime provided by manufacturer and obtained under manufacturer's test conditions.

Zoom range defined as a minimum beam angle to a maximum field angle.

Photometric measurements obtained with Goniometer Scan / SGM Illumination Lab 1.6.0.0.

Lumen output in pixel products is calculated.

Ordering information

Qty	Product name	Item number
<input type="checkbox"/>	Q-7 Color Flood, Std, BL	80030524
<input type="checkbox"/>	Q-7 Color Flood, Std, WH	80030561
<input type="checkbox"/>	Q-7 Color Flood, Std, CU	80030562
<input type="checkbox"/>		
	Accessories	Item number
<input type="checkbox"/>	BCC-2 Dual Bracket	83060603
<input type="checkbox"/>	BCC-4 Quad Bracket	83060604
<input type="checkbox"/>	Omega Bracket with 1/4-turn fasteners	83060602
<input type="checkbox"/>	4-way Barndoors for P·5, i·5, X·5, Q·7	83061120
<input type="checkbox"/>	8-way Barndoors for P·5, i·5, X·5, Q·7	83061121
<input type="checkbox"/>	Accessory Holder for X·5 & Q·7	83061123
<input type="checkbox"/>	Color Frame for P·5, Q·7, X·5, i·5	83061122
<input type="checkbox"/>	Floor Stand for P·5, X·5 & Q·7	83060610
<input type="checkbox"/>	Flight Case for 4 pcs of P·5/Q·7/X·5	82051501
<input type="checkbox"/>	Flight Case for 4 pcs of P·5/Q·7/X·5 incl. barndoors	82051502
<input type="checkbox"/>	SGM USB uploader cable	83062011
<input type="checkbox"/>	Vacuum Test Kit	83061136
<input type="checkbox"/>	A·4	80070217
<input type="checkbox"/>	RDM Addressing Tool	
<input type="checkbox"/>		



Headquarter [+45 70 20 74 00](tel:+4570207400)

Mail info@sgmlight.com

Website sgmlight.com