

INFILED

Screen your dreams



ART

S E R I E S

ALL FOR RENTAL TOURING SOLUTIONS



More lightweight and stronger, the INFiLED All for Rental Touring series represents the next-generation of LED display touring systems. Developed specifically to offer an all-in-one solution for rental and touring markets, the ART series was born superbly lightweight and unprecedentedly robust due to the smart combination of carbon fiber and die-cast aluminum.

The ART series has been designed by industry professionals, for industry professionals.

With an innovative and removable ladder, the whole structure is strong and resistant to 20m/s wind speed, the 8th grade in Beaufort scale, coping with any harsh outdoor environment.

Strong and lightweight, all-in-one solution for rental and touring.

Indoor and outdoor applications



Fast installation



IP65



Curved Available



Wind Loading Rating



Rental



Front Maintenance

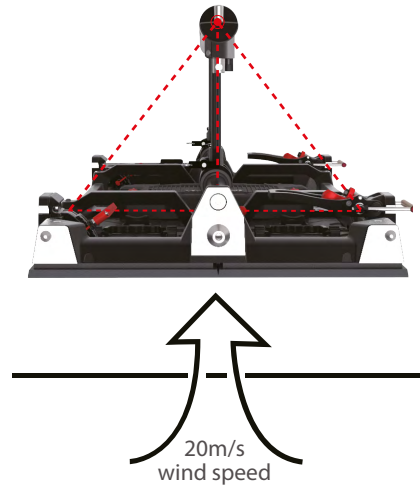
Pixel Pitch	3.9, 4.6, 5.9, 7.8, 10.4mm
Brightness	5.000nits
Cabinet size (WxHxD)	500x1000x131mm



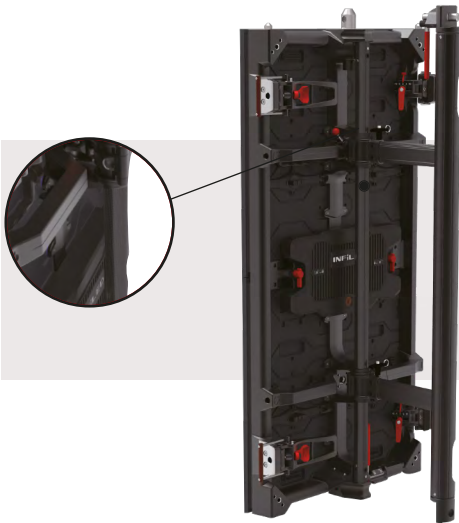
KEY FEATURES

Built-in wind load reinforcement

The ART series features innovative ladder design to make it extremely stable and resistant to wind speeds of up to 20 m/s. (*Please refer to the user's manual for details) IP65 for both front and rear service makes the system suitable for projects exposed to the elements.



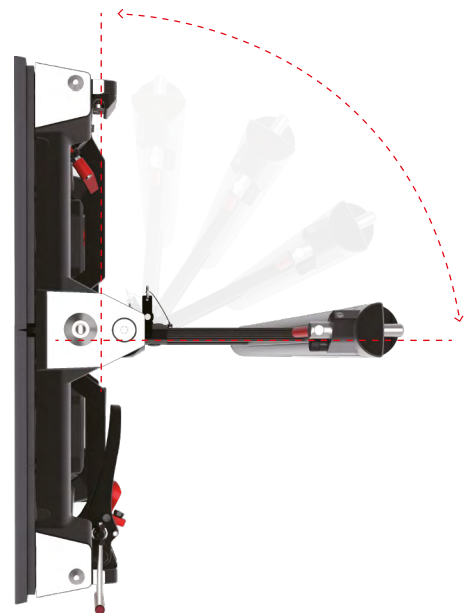
Lightweight and durable



Carbon fiber allows safer hanging installation, while the combination with die-cast aluminum of the ladder ensures accuracy and durability. Designed to withstand harsh outdoor environments.

Fast installation

Stepless curvature between $\pm 10^\circ$ can be easily achieved. Efficient and convenient stacking with stackable and removable ladders. Our road-ready ART series cuts the installation time to minimum for building large screens.



Efficient transportation

The standard industry sized dolly fits perfectly into trucks with double horizontal layers available.

20ft container = 10 carts / 75 sqm LED system;

40ft container = 21 carts / 315 sqm LED system.



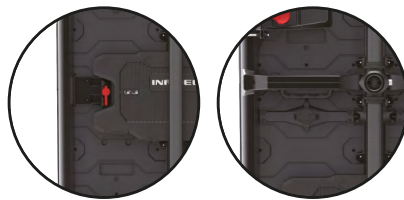
Well-organized empty dollies reduce the required storage space to minimum.



Easy maintenance & installation



Separate Power and Data Units can be easily exchanged with both front and rear access, with no tools required. Efficient and convenient installation with stackable and removable ladders, helps to cut the installation time to a minimum.



Easy locks design for PDUs and modules enables efficient maintenance.



Climbing steps are available for quick and easy maintenance on site.

SPECIFICATIONS

Model Number	ART3.91mini	ART4.63mini
Pixel Pitch	3.91mm	4.63mm
Physical Density	65,536pixels/m ²	46,656pixels/m ²
LED Arrangement	3 IN 1 SMD	3 IN 1 SMD
Module Resolution	64×128pixels	54×108pixels
Module Dimensions	250×500mm(9.84×19.69in)	250×500mm(9.84×19.69in)
Cabinet Resolution	128×128pixels	108×108pixels
Cabinet Dimensions	500×500×131mm (19.69×19.69×5.16in)	500×500×131mm (19.69×19.69×5.16in)
Cabinet Weight	14kg(30.86lb)/panel	14kg(30.86lb)/panel
Brightness	5,000nits	5,000nits
Max Power Consumption	135w/panel	135w/panel
Avg Power Consumption	45w/panel	45w/panel
Viewing Angle	160°/155°	160°/135°
Operating Power Source	AC100-240V 50-60Hz	AC100-240V 50-60Hz
Operating Temperature	-20°C~+45°C	-20°C~+45°C
Refresh Rate(PRO version)	≤3,840Hz	≤3,840Hz
IP Rating	IP65	IP65
Max Rigging	22 panels	22 panels
Signal Input Source	Composite, S-Video, Component, HDMI, SDI, HD SDI, VGA, DVI	Composite, S-Video, Component, HDMI, SDI, HD SDI, VGA, DVI
Verification	CE, ETL, FCC, RoHS	CE, ETL, FCC, RoHS

Model Number	ART5.95mini	ART7.81mini	ART10.41mini
Pixel Pitch	5.95mm	7.81mm	10.41mm
Physical Density	28,224pixels/m ²	16,384pixels/m ²	9,216pixels/m ²
LED Arrangement	3 IN 1 SMD	3 IN 1 SMD	3 IN 1 SMD
Module Resolution	42×84pixels	32×64pixels	24×48pixels
Module Dimensions	250×500mm(9.84×19.69in)	250×500mm(9.84×19.69in)	250×500mm(9.84×19.69in)
Cabinet Resolution	84×84pixels	64×64pixels	48×48pixels
Cabinet Dimensions	500×500×131mm (19.69×19.69×5.16in)	500×500×131mm (19.69×19.69×5.16in)	500×500×131mm (19.69×19.69×5.16in)
Cabinet Weight	14kg(30.86lb)/panel	14kg(30.86lb)/panel	14kg(30.86lb)/panel
Brightness	5,000nits	5,000nits	5,000nits
Max Power Consumption	135w/panel	135w/panel	150w/panel
Avg Power Consumption	45w/panel	45w/panel	50w/panel
Viewing Angle	160°/130°	160°/130°	160°/110°
Operating Power Source	AC100-240V 50-60Hz	AC100-240V 50-60Hz	AC100-240V 50-60Hz
Operating Temperature	-20°C~+45°C	-20°C~+45°C	-20°C~+45°C
Refresh Rate(PRO version)	≤3,840Hz	≤3,840Hz	≤3,840Hz
IP Rating	IP65	IP65	IP65
Max Rigging	22 panels	22 panels	22 panels
Signal Input Source	Composite, S-Video, Component, HDMI, SDI, HD SDI, VGA, DVI	Composite, S-Video, Component, HDMI, SDI, HD SDI, VGA, DVI	Composite, S-Video, Component, HDMI, SDI, HD SDI, VGA, DVI
Verification	CE, ETL, FCC, RoHS	CE, ETL, FCC, RoHS	CE, ETL, FCC, RoHS

The product specifications can be customized

SPECIFICATIONS

Model Number	ART3.91	ART4.63
Pixel Pitch	3.91mm	4.63mm
Physical Density	65,536pixels/m ²	46,656pixels/m ²
LED Arrangement	3 IN 1 SMD	3 IN 1 SMD
Module Resolution	64×128pixels	54×108pixels
Module Dimensions	250×500mm(9.84×19.69in)	250×500mm(9.84×19.69in)
Cabinet Resolution	128×256pixels	108×216pixels
Cabinet Dimensions	500×1000×131mm (19.69×39.37×5.16in)	500×1000×131mm (19.69×39.37×5.16in)
Cabinet Weight	21kg(46.30lb)/panel	21kg(46.30lb)/panel
Brightness	5,000nits	5,000nits
Max Power Consumption	270w/panel	270w/panel
Avg Power Consumption	90w/panel	90w/panel
Viewing Angle	160°/155°	160°/135°
Operating Power Source	AC100-240V 50-60Hz	AC100-240V 50-60Hz
Operating Temperature	-20°C~+45°C	-20°C~+45°C
Refresh Rate(PRO version)	≤3,840Hz	≤3,840Hz
IP Rating	IP65	IP65
Max Rigging	15panels	15panels
Signal Input Source	Composite, S-Video, Component, HDMI, SDI, HD SDI, VGA, DVI	Composite, S-Video, Component, HDMI, SDI, HD SDI, VGA, DVI
Verification	CE, ETL, FCC, RoHS	CE, ETL, FCC, RoHS

Model Number	ART5.95	ART7.81	ART10.41
Pixel Pitch	5.95mm	7.81mm	10.41mm
Physical Density	28,224pixels/m ²	16,384pixels/m ²	9,216pixels/m ²
LED Arrangement	3 IN 1 SMD	3 IN 1 SMD	3 IN 1 SMD
Module Resolution	42×84pixels	32×64pixels	24×48pixels
Module Dimensions	250×500mm(9.84×19.69in)	250×500mm(9.84×19.69in)	250×500mm(9.84×19.69in)
Cabinet Resolution	84×168pixels	64×128pixels	48×96pixels
Cabinet Dimensions	500×1000×131mm (19.69×39.37×5.16in)	500×1000×131mm (19.69×39.37×5.16in)	500×1000×131mm (19.69×39.37×5.16in)
Cabinet Weight	21kg(46.30lb)/panel	21kg(46.30lb)/panel	21kg(46.30lb)/panel
Brightness	5,000nits	5,000nits	5,000nits
Max Power Consumption	270w/panel	270w/panel	300w/panel
Avg Power Consumption	90w/panel	90w/panel	100w/panel
Viewing Angle	160°/130°	160°/130°	160°/110°
Operating Power Source	AC100-240V 50-60Hz	AC100-240V 50-60Hz	AC100-240V 50-60Hz
Operating Temperature	-20°C~+45°C	-20°C~+45°C	-20°C~+45°C
Refresh Rate(PRO version)	≤3,840Hz	≤3,840Hz	≤3,840Hz
IP Rating	IP65	IP65	IP65
Max Rigging	15 panels	15 panels	15 panels
Signal Input Source	Composite, S-Video, Component, HDMI, SDI, HD SDI, VGA, DVI	Composite, S-Video, Component, HDMI, SDI, HD SDI, VGA, DVI	Composite, S-Video, Component, HDMI, SDI, HD SDI, VGA, DVI
Verification	CE, ETL, FCC, RoHS	CE, ETL, FCC, RoHS	CE, ETL, FCC, RoHS

Dolly			
Dimensions	1594x760x1232mm	1594x760x2302mm	1594x760x2500mm
Capacity	15 in 1	30 in 1	30 in 1
Weight	76.5kg(168.65lb)	89.7kg(168.65lb)	179.3kg(168.65lb)
Weight/Angle of Slope	≥770kg/<11° ≥420kg/<21°	≥770kg/<11° ≥420kg/<21°	≥770kg/<11° ≥420kg/<21°
Hanging bar			
Dimensions	490x123x108mm	990x123x108mm	1490x123x108mm
Weight	6.1kg	11.6kg	15.1kg

The product specifications can be customized

© Copyright 2023 INFILED. INFILED is a trademark of SHENZHEN INFILED ELECTRONICS Co, LTD. The information contained herein is subject to change without notice. INFILED shall not be liable for technical or editorial errors or omissions contained herein. For more information, please contact your local sales manager. March 2023



Shenzhen HQ | Barcelona | Dubai | Rotterdam | Los Angeles | Kuala Lumpur

For more information, contact:
info.emea@infiled.com



www.infiled.com