

Sign Parts Names referred to in the Instructions



Tools Needed: Safety Glasses, Tape, Tape Measure, Level, Screws, Drill Bits, and Screw Driver Bit

Step 1

Unroll pattern and tape to wall where letters are to be installed.

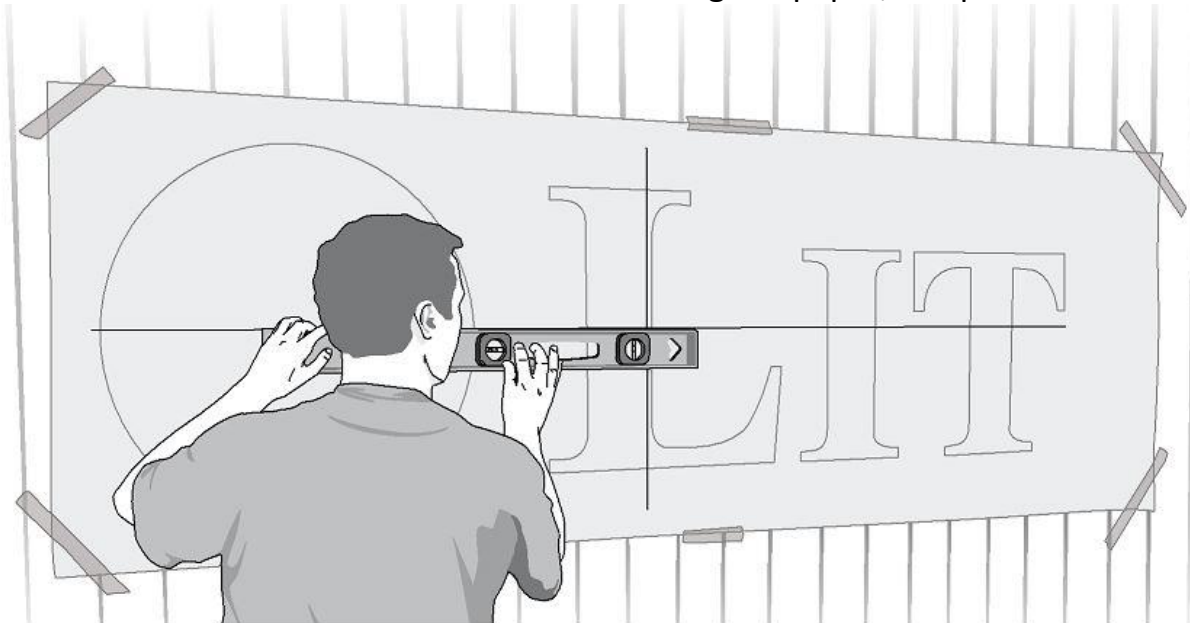
Check to make sure letters are level and centered in the area.

There must be access to the back of the wall to connect EZLit Power Link to the EZLit Power Strip.

Use a tape that will not damage the wall surface when it is removed.

For brick you can use duct tape but remove as soon as done.

Do not level with the bottoms of the letters or edge of paper, use provided level lines only.



Step 2 Drill Holes

Stand Off Mounting Holes ○ are near the center of Letters and Logos.
Drill pilot holes through the center of the mark for appropriate fastener.

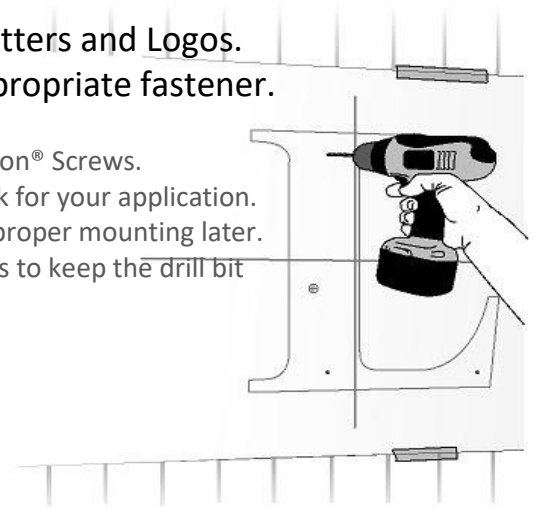
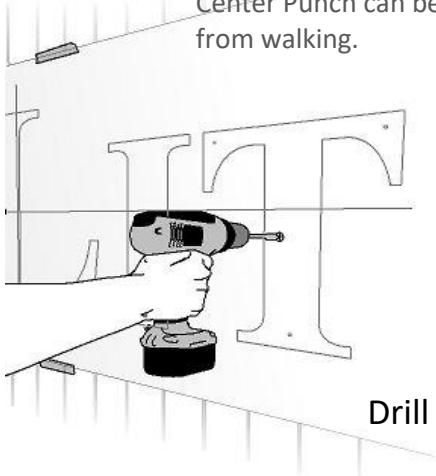
For wood surfaces we suggest galvanized wood screws.

For Concrete, Brick, or Cinderblock surfaces we suggest Tapcon® Screws.

Your hardware store may suggest another type that will work for your application.

During this step, make sure to precisely drill these holes for proper mounting later.

Center Punch can be used to mark holes on masonry surfaces to keep the drill bit from walking.



Power Holes ⊕ are in the middle of the Letters & Logos.
Drill a 3/4" hole completely through the wall to the inside of the building.

Step 3 Installing Letters

Installation Sequence

A	30-HLVR	1927851
2 of 5	QC	12VDC - 5.5 Watts
signmonkey.com		Green PS

Remove the pattern from the wall.

It is best to remove the tape as soon as possible.

On the back of the Letters & Logos there is a sticker, this sticker will tell you the sequence the Letters & Logos are to be installed.

Begin by fastening the cup to the wall using screws appropriate for the wall.

The screw is to be put through hole in the base of the cup and into the pilot hole created from the pattern. During this step, make sure the set screw hole is in a location that can easily be reached for later steps within installation.

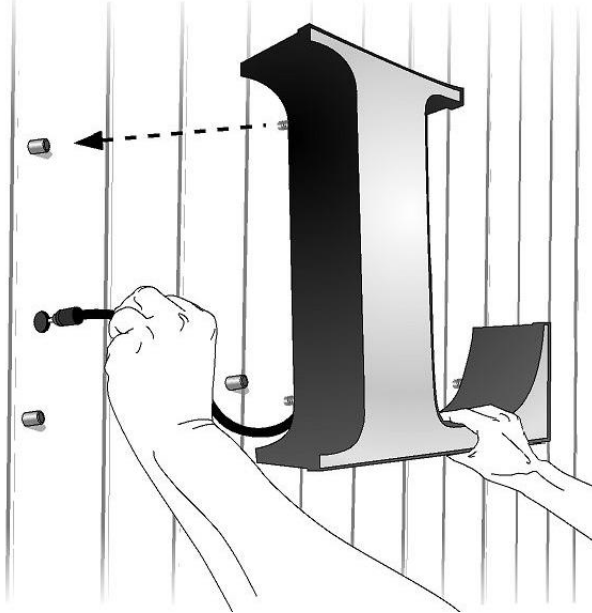
It is important in this step to not force the screw into the wall beyond the cup. Let the cup have some mobility in order to make letter installation easier. It should droop approximately 1/8 inch. The combination of stand offs create the sturdiness required for such a mount.



Step 3 *Installing Letters (cont.)*

Once fastened, begin putting the Letters or Logos on the wall, making sure to align the posts that extend from the backs of each to the previously mounted cups.

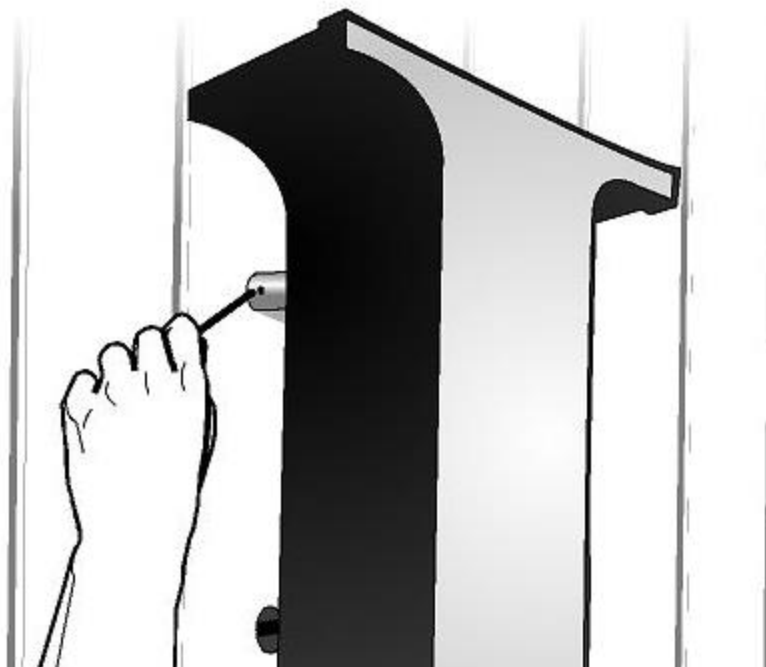
While putting Letters or Logos on the wall, shove the EZLit Power Link through the wall so it can be reached from the inside the building.



Once the Letters or Logos are placed, and the rods are aligned within the cups, screw the set screws into the sides of the cups with the supplied Allen wrench.

We recommend running the rods all the way into the cups, and placing the set screw in the last possible notch within the rod.

This will fully secure the letter to the building.

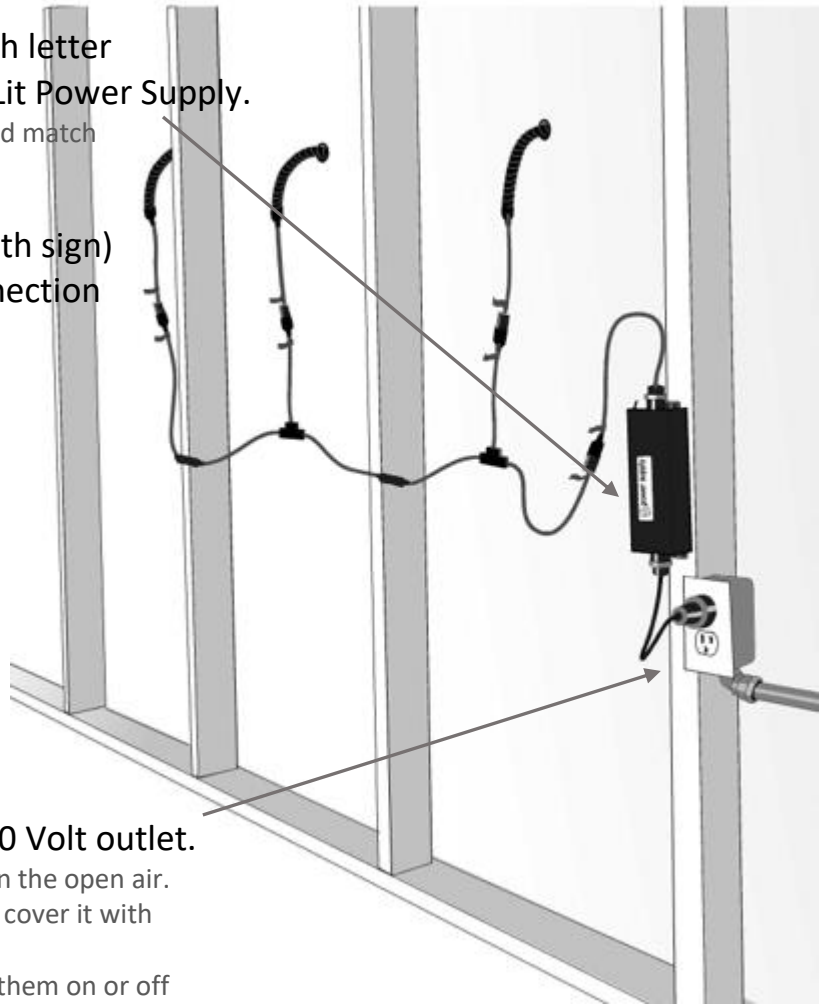


Step 4 *Install Power Strip*

On the back side of the wall, plug each letter into the EZLit Power Strip and the EZLit Power Supply.

Each Power Link has a colored tag that should match the color tag on the Power Strip.

*Apply Dielectric Grease (Included with sign) to the metal parts of each Plug Connection



Plug the EZLit Power Supply into a 110 Volt outlet.

The Power Supply gets warm and should be in the open air. Do not put the power supply in a container or cover it with combustible materials.

The sign will be on all the time. You can turn them on or off with the switch or purchase a lamp timer at the hardware store.

Power supply must be indoors, it is not weather proof.

A loop of wire should hang down below the outlet.

This will prevent water running down the cord and into the socket.



Wear Safety Glasses when drilling holes.