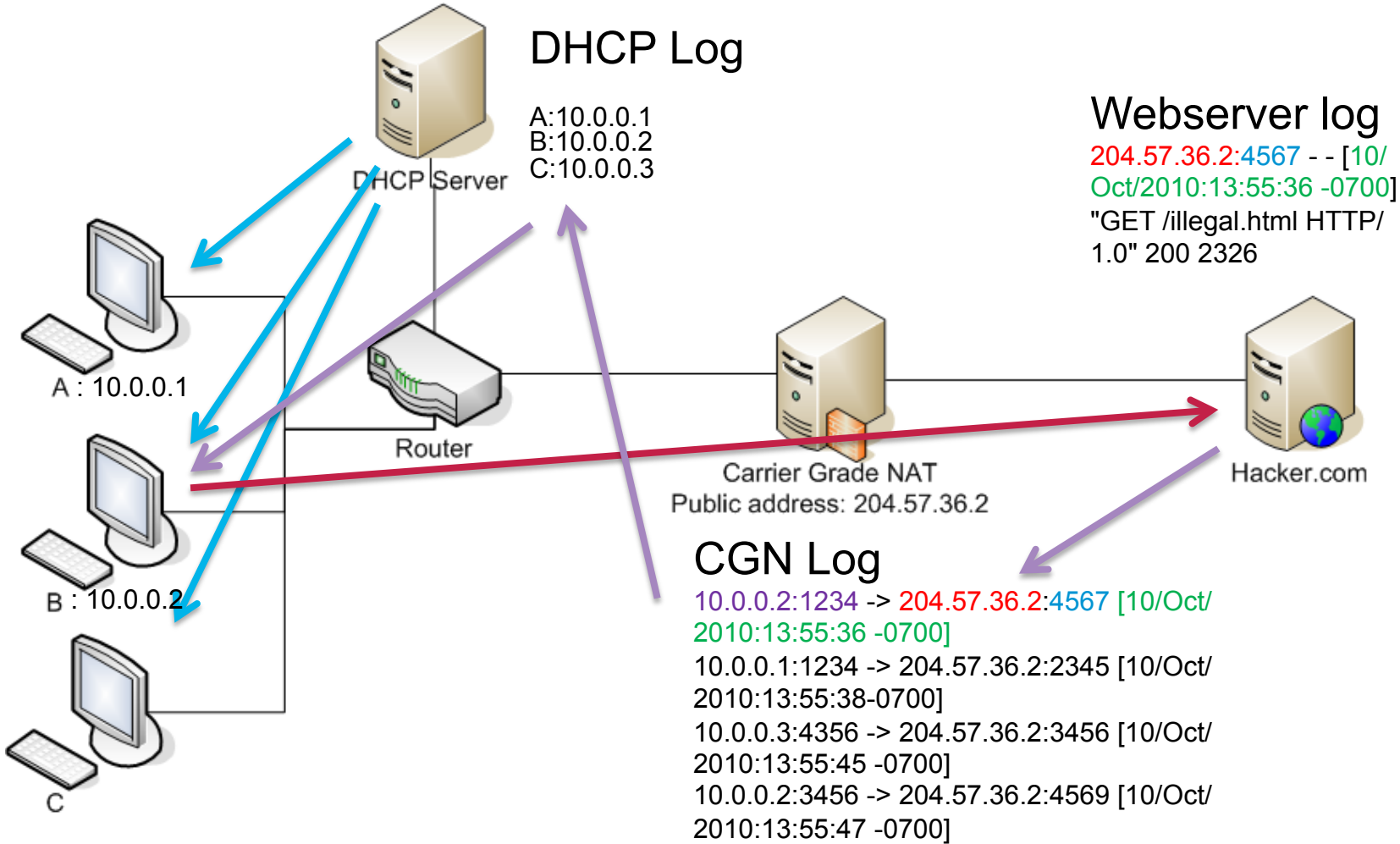


CGN Logging

- Horror Stories
 - CGN logs required
 - Testing results
- Happy Endings
 - Current options
 - Deterministic reservation

Identity Traceback Illustration



CGN Testing Background

- CableLabs first conducted CGN testing in 2010
- Second round June – Sep, 2011
 - Both NAT444 and DS-Lite
- Additional CGN testing in IPv6 interop events
- Logging has been *one* aspect of testing

CGN Logging Feature Highlights

- Remote reporting supports Syslog only
- Template for logging is currently not configurable
- Syslog facility is configurable
- Data fields include: Time Stamp, Source IP/Port, NAT IP/Port, Destination IP/Port, Host Name
 - 173 – 542 bytes (DS-Lite)
 - 150 – 450 bytes (NAT444)

CGN Logging (DS-Lite)

Date	Time	Priority	Hostname	Message
08-04-2011	14:37:47	Local0.Emerg	192.168.0.11	Aug 4 14:37:06 CGN-Unit1 NAT-TCP-N: [2001:504:0:1300::9]192.168.0.105:62455<-->65.55.42.171:80, 65.55.42.171:80<-->8.20.211.22:62455 Aug 4 14:37:06 CGN-Unit1 NAT-TCP-C: [2001:504:0:1300::9]192.168.0.105:62455 -> 8.20.211.22:62455 to [2001:504::192:168:0:11]65.55.42.171:80 Aug 4 14:37:07 CGN-Unit1 NAT-TCP-D: [2001:504:0:1300::9]192.168.0.105:62455<-->65.55.42.171:80, 65.55.42.171:80<-->8.20.211.22:62455 Aug 4 14:37:07 CGN-Unit1 NAT-TCP-F: [2001:504:0:1300::9]192.168.0.105:62455 -> 8.20.211.22:62455
08-04-2011	14:37:44	Local0.Emerg	192.168.0.11	Aug 4 14:37:02 CGN-Unit1 NAT-TCP-D: [2001:504:0:1300::10]192.168.2.193:1028<-->64.4.9.190:1863, 64.4.9.190:1863<-->8.20.211.22:1028
08-04-2011	14:37:43	Local0.Emerg	192.168.0.11	Aug 4 14:37:00 CGN-Unit1 NAT-TCP-D: [2001:504:0:1300::10]192.168.2.193:8679<-->68.142.118.4:80, 68.142.118.4:80<-->8.20.211.22:8679 Aug 4 14:37:00 CGN-Unit1 NAT-TCP-F: [2001:504:0:1300::10]192.168.2.193:8679 -> 8.20.211.22:8679

CGN Logging (NAT444)

Date	Time	Priority	Hostname	Message
08-04-2011	17:57:07	Local0.Emerg	192.168.0.11	Aug 4 17:56:25 CGN-Unit1 NAT-TCP-D: 192.168.23.24:49418<-->76.111.145.233:30057, 76.111.145.233:30057<-->8.20.211.21:49418
08-04-2011	17:57:07	Local0.Emerg	192.168.0.11	Aug 4 17:56:28 CGN-Unit1 NAT-TCP-D: 192.168.23.24:49423<-->98.163.96.90:40022, 98.163.96.90:40022<-->8.20.211.21:49423 Aug 4 17:56:28 CGN-Unit1 NAT-TCP-D: 192.168.23.24:49415<-->69.161.107.46:19924, 69.161.107.46:19924<-->8.20.211.21:49415
08-04-2011	17:57:05	Local0.Emerg	192.168.0.11	Aug 4 17:56:22 CGN-Unit1 NAT-TCP-C: 192.168.23.24:49422 ->8.20.211.21:49422 to 69.161.107.46:19924 Aug 4 17:56:22 CGN-Unit1 NAT-TCP-N: 192.168.23.24:49422<-->69.161.107.46:19924, 69.161.107.46:19924<-->8.20.211.21:49422 Aug 4 17:56:22 CGN-Unit1 NAT-UDP-N: 192.168.23.24:24935<-->75.119.252.87:27553, 75.119.252.87:27553<-->8.20.211.21:24935

The Horror (log volumes)

$$\begin{array}{r} 150 - 450 \text{ bytes/connection} \\ + \quad 33\text{k} - 216\text{k} \text{ connections per sub per day} \\ \hline 5 - 96 \text{ MB / user / day} \end{array}$$

*That's potentially over 1 PB per 1M subs per month
It's also over 20Mbps for just the log stream...*

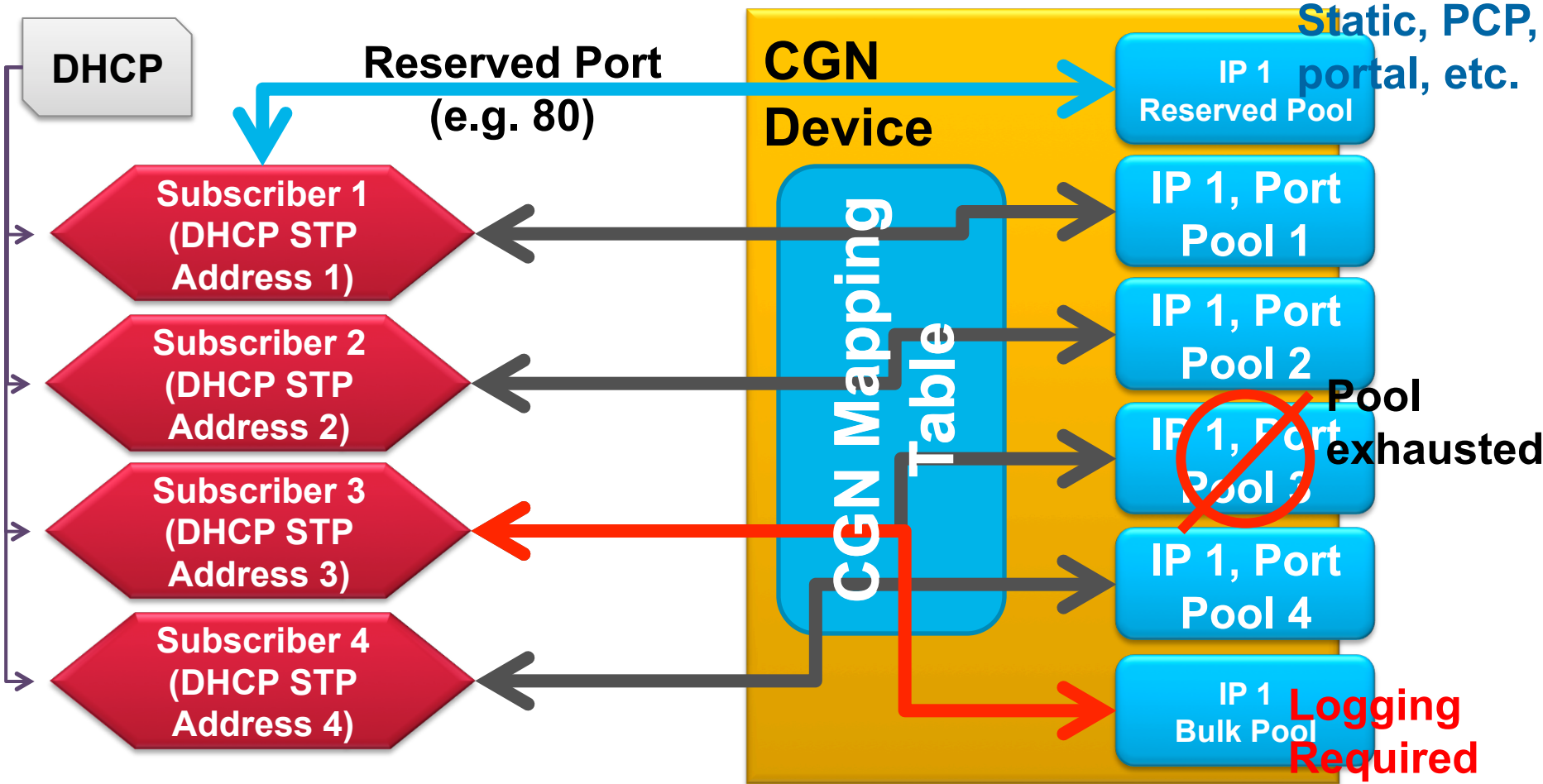
Log Reduction Strategies

- Port block reservations
 - Reduce logging up to 100x
- Log compression
 - Reduces volume, but not search time
- Deterministic reservation
 - See next slide...

Proposal: Deterministic Port Reservation

- **draft-donley-behave-deterministic-cgn**
- Collect inside range, outside range, compression ratio
 - Compression ratio \geq inside/outside
 - Inside range/compression ratio = ports/user
 - Set aside well-known ports (<1024) & dynamic overflow range
 - Pre-reserve port ranges for each internal IP address
 - Allow dynamic reservation above that threshold
 - Remote logging only required for dynamic reservations
 - Still need state logging locally for every active connection
- **Limitation: Requires low compression ratios**

The Happy Ending...



Questions?

Chris Grundemann
c.grundemann@cablelabs.com