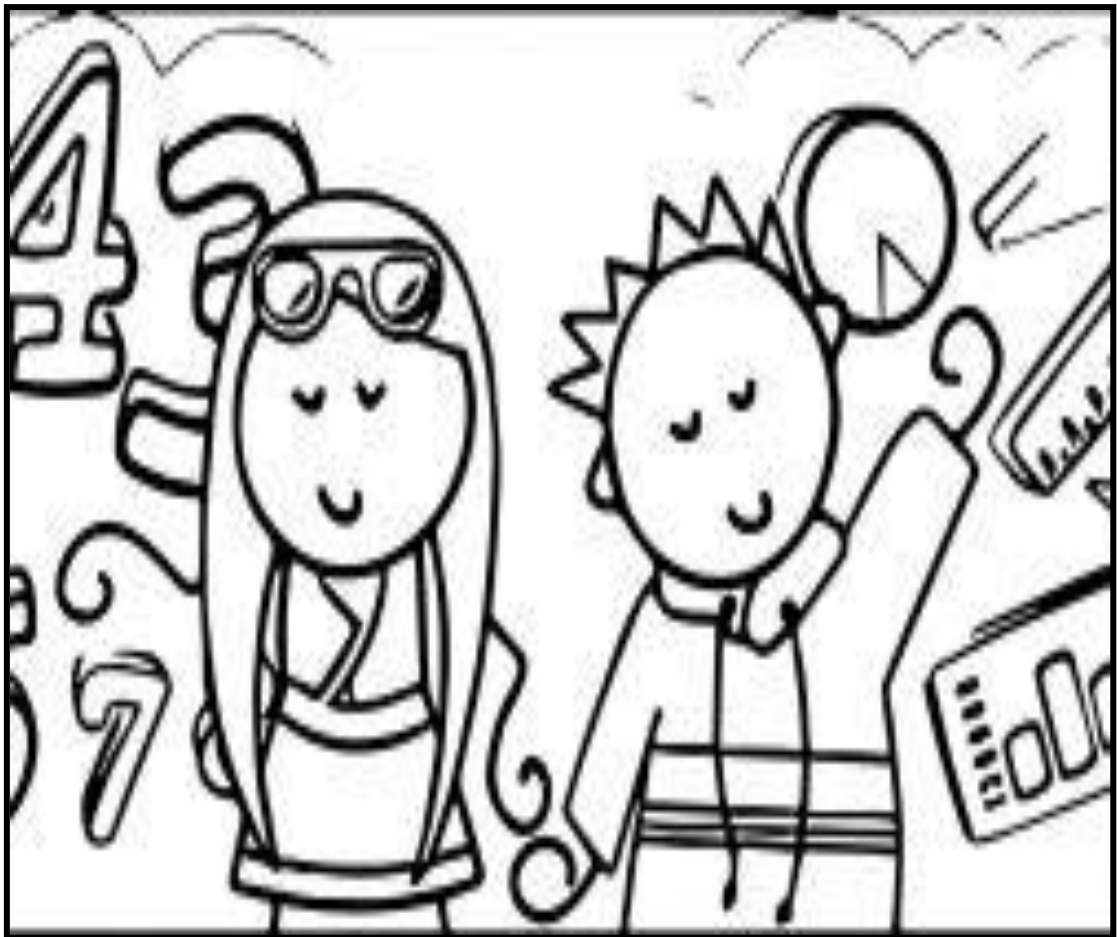


Obair Bhaile Mata



Ainm _____ Rang _____



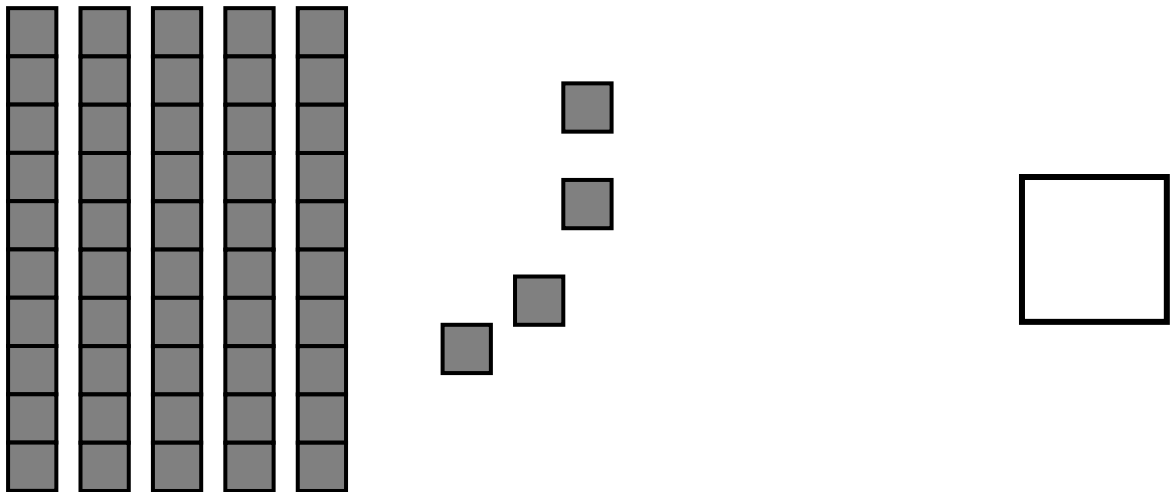
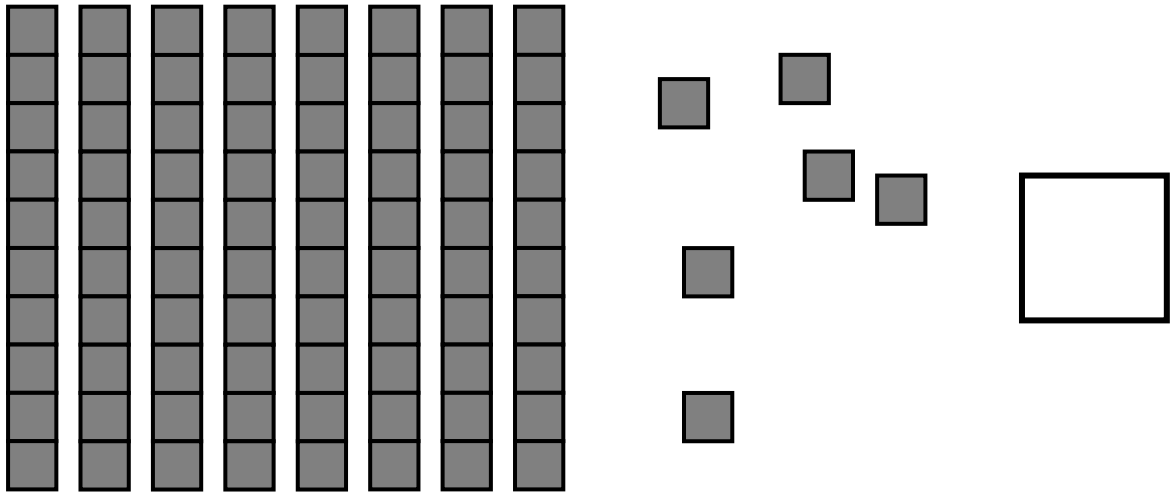
Cearnóg100

1	2	3	4	5	6	7	8	9	10
11	12	13	14	15	16	17	18	19	20
21	22	23	24	25	26	27	28	29	30
31	32	33	34	35	36	37	38	39	40
41	42	43	44	45	46	47	48	49	50
51	52	53	54	55	56	57	58	59	60
61	62	63	64	65	66	67	68	69	70
71	72	73	74	75	76	77	78	79	80
81	82	83	84	85	86	87	88	89	90
91	92	93	94	95	96	97	98	99	100

Obair Bhaile 1

Deicheanna agus Aonaid

Scríobh an uimhir a théann leis na deicheanna agus aonaid.



75

86

68

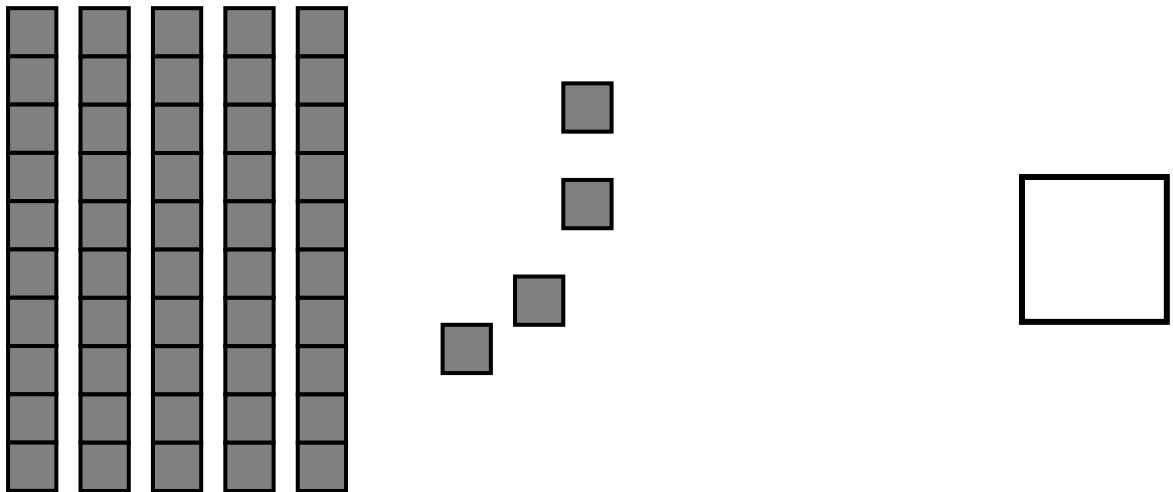
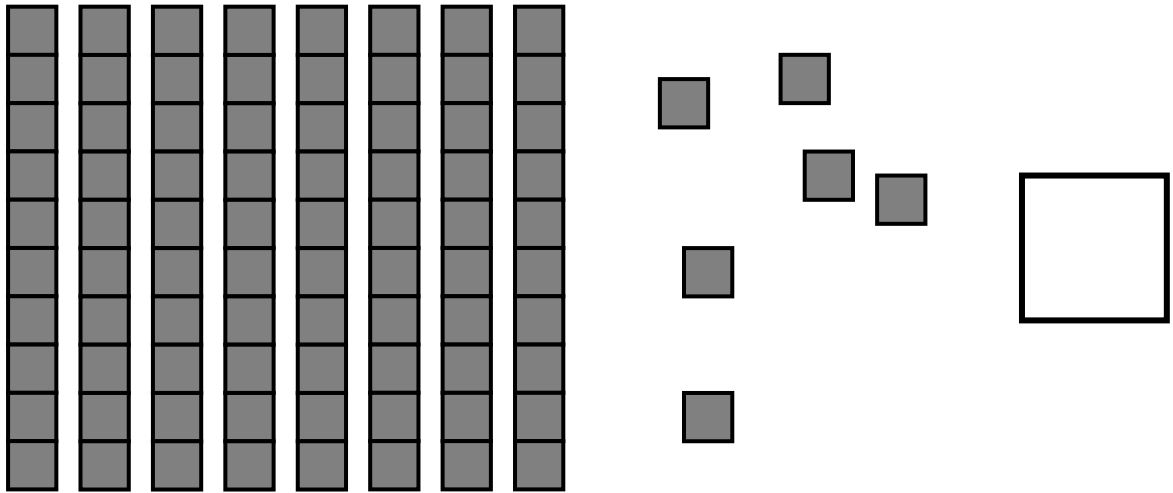
45

54

Homework 1

Tens and Units

Find the numbers that matches the tens and units..



75

86

68

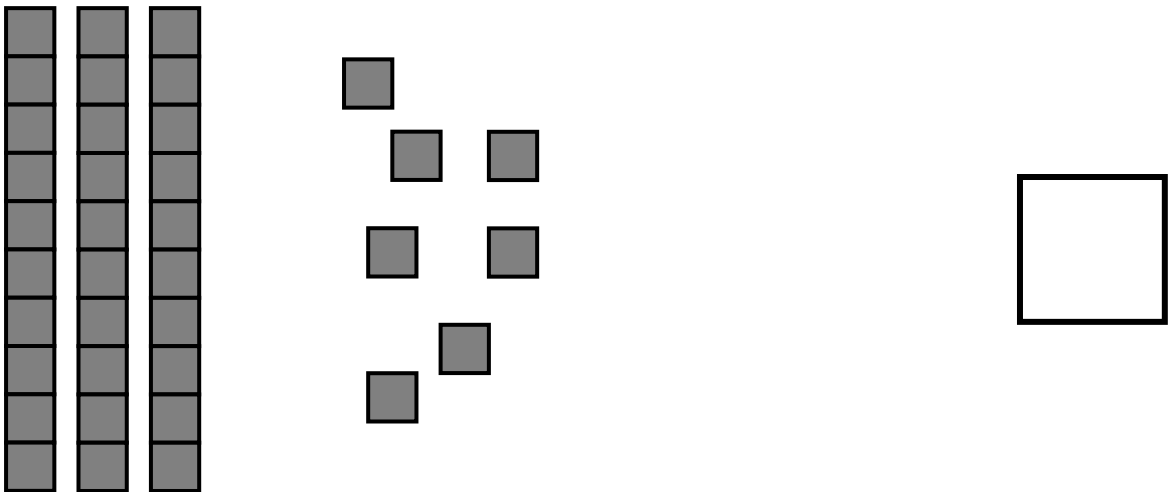
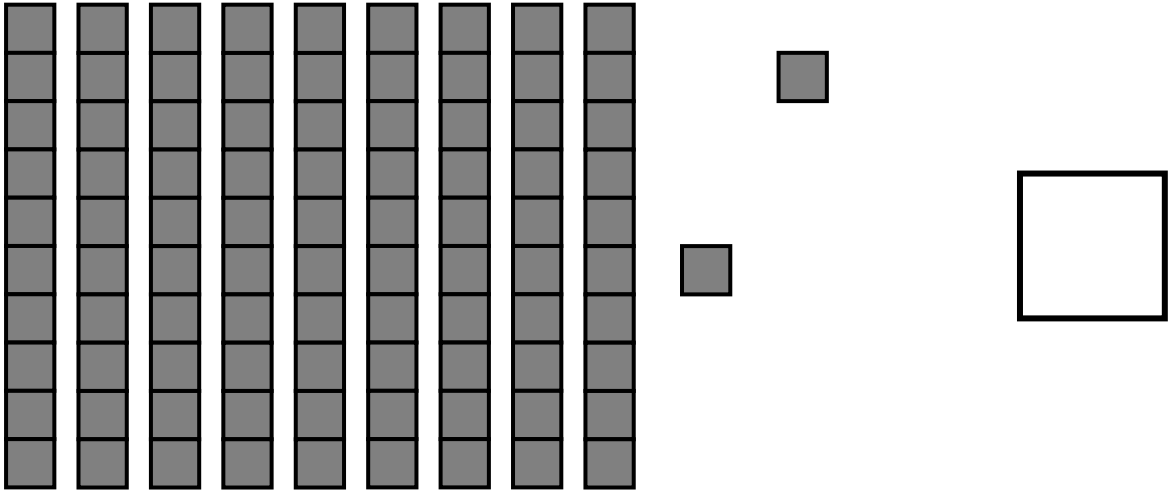
45

54

Obair Bhaile 2

Deicheanna agus Aonaid

Scríobh an uimhir a théann leis na deicheanna agus aonaid.



37

73

92

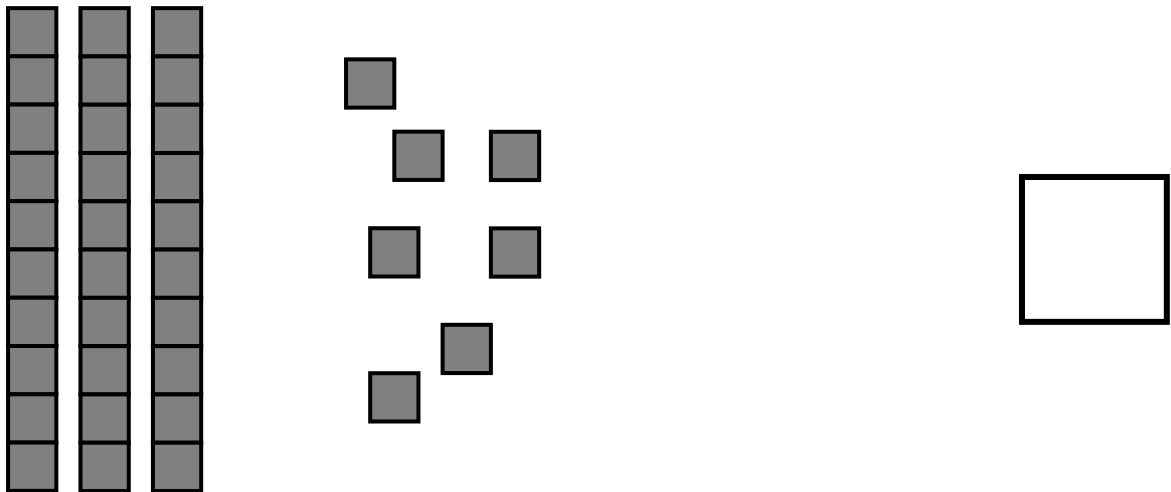
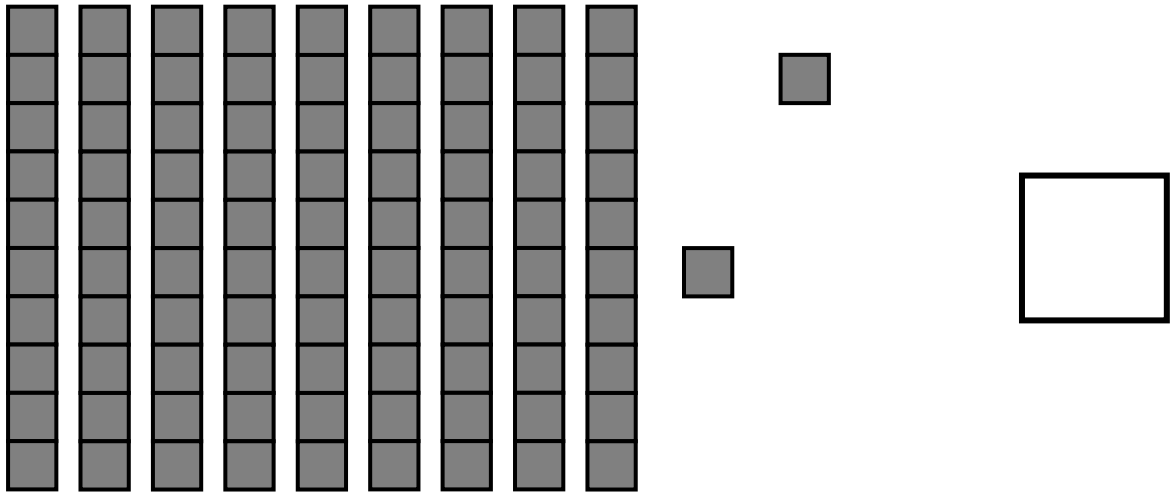
29

57

Homework 2

Tens and Units

Find the numbers that matches the tens and units..



37

73

92

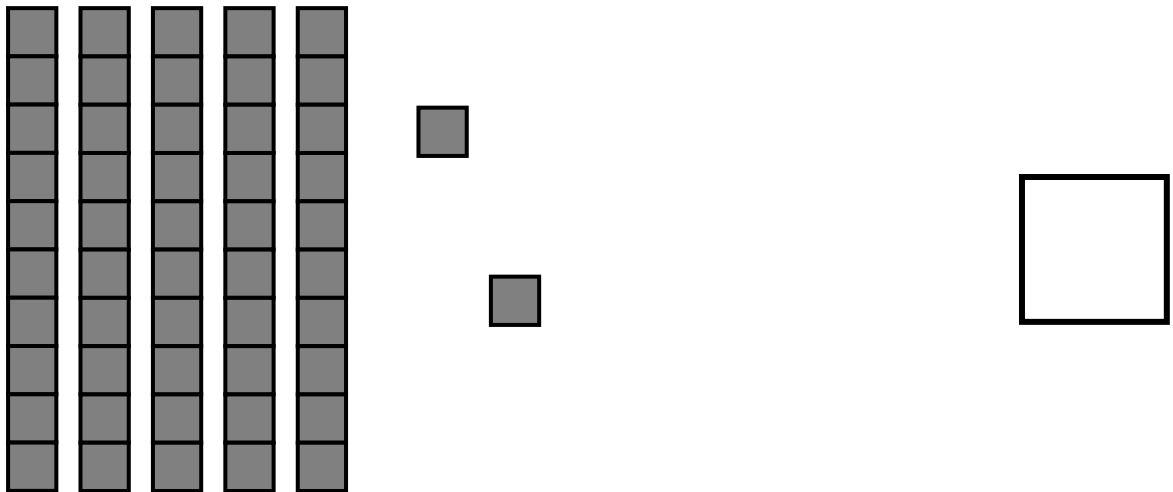
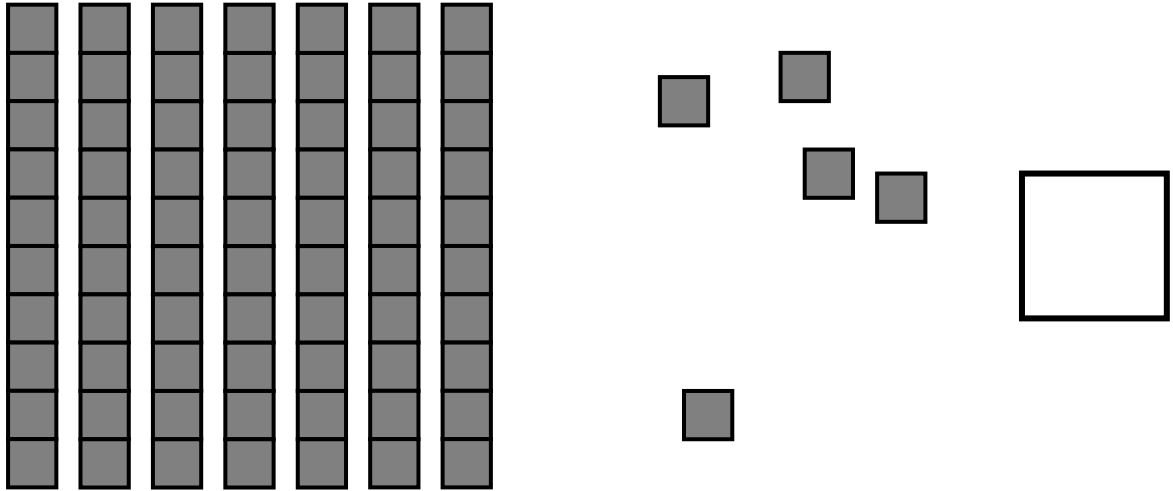
29

57

Obair Bhaile 3

Deicheanna agus Aonaid

Scríobh an uimhir a théann leis na deicheanna agus aonaid.



77

52

75

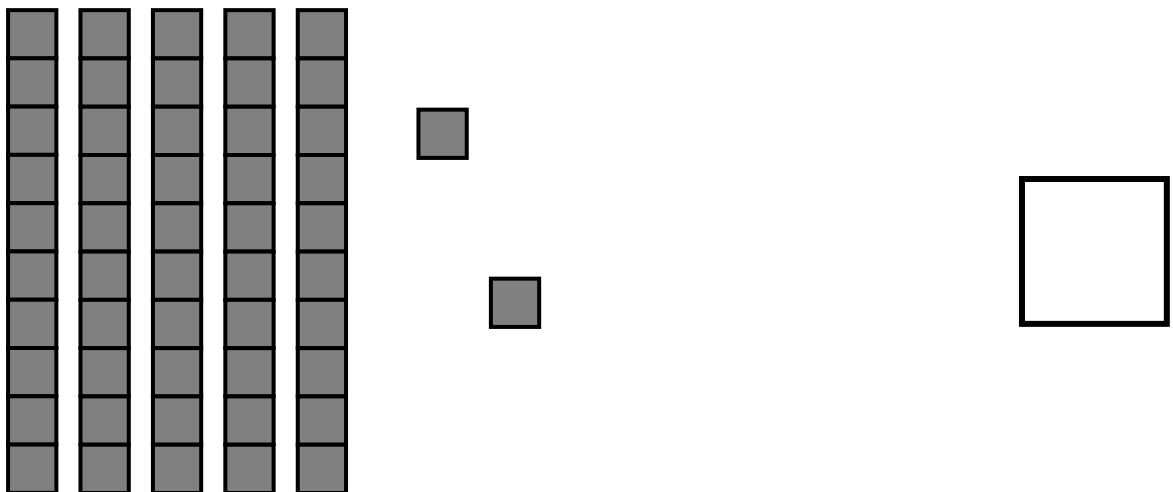
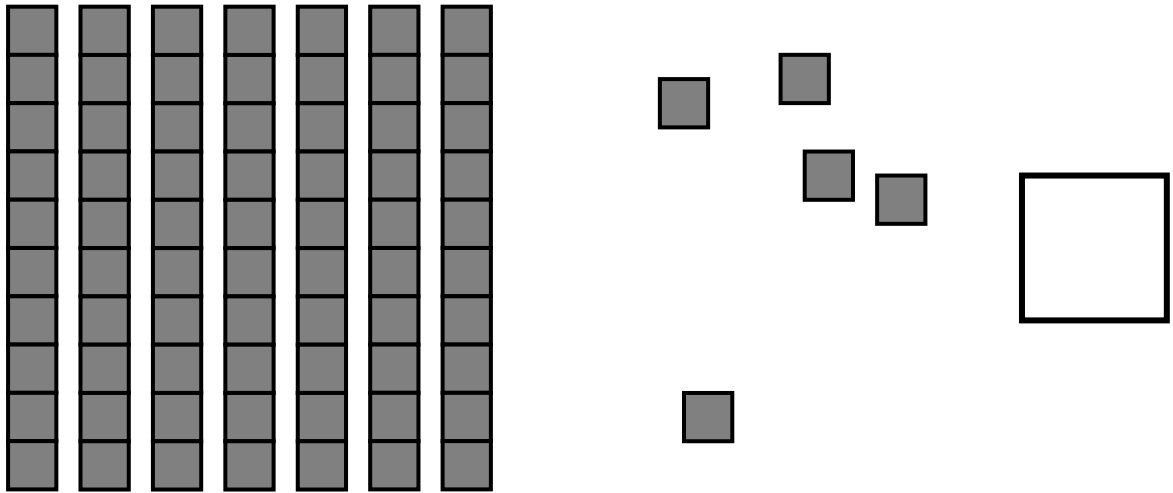
25

57

Homework 3

Tens and Units

Find the numbers that matches the tens and units..



77

52

75

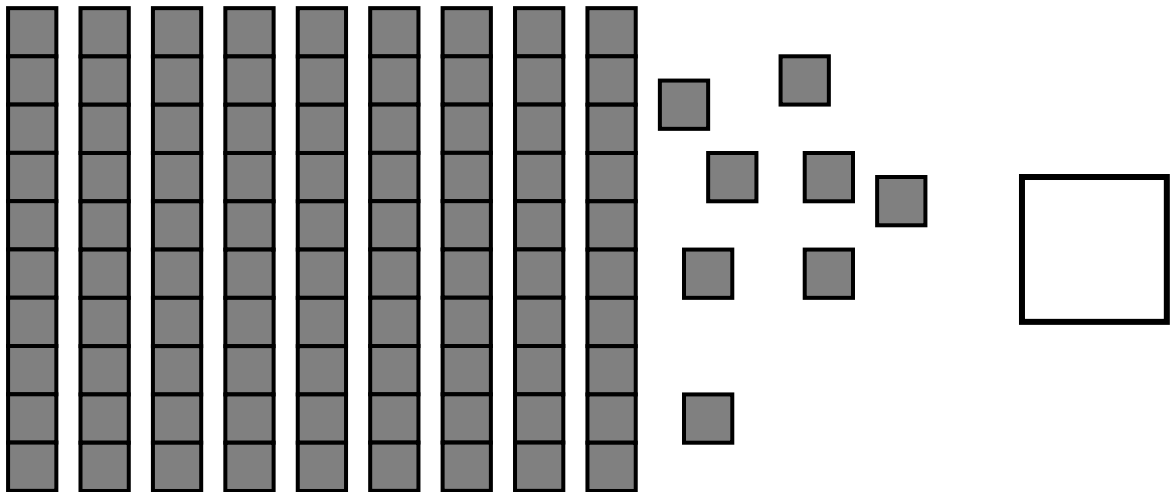
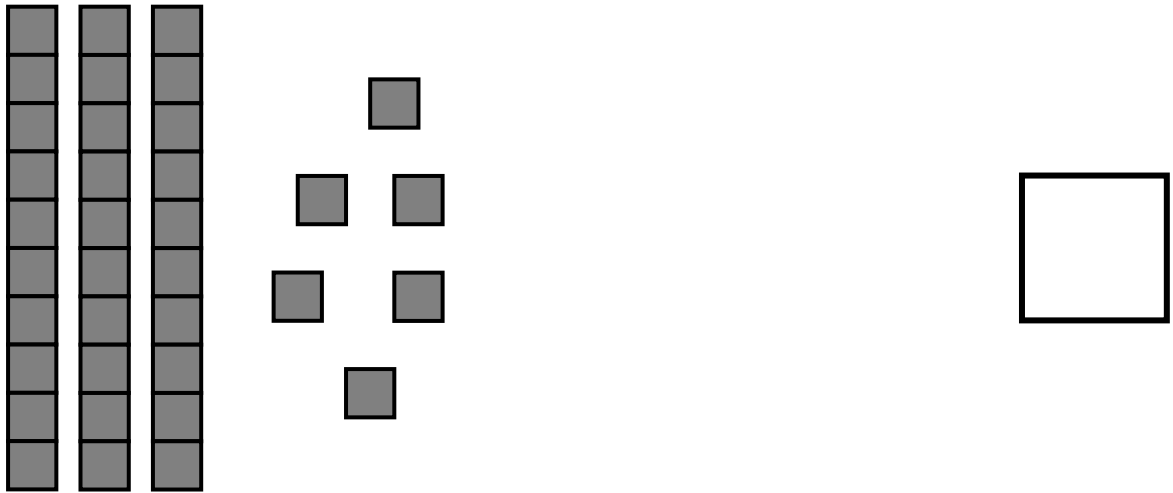
25

57

Obair Bhaile 4

Deicheanna agus Aonaid

Scríobh an uimhir a théann leis na deicheanna agus aonaid.



95

25

35

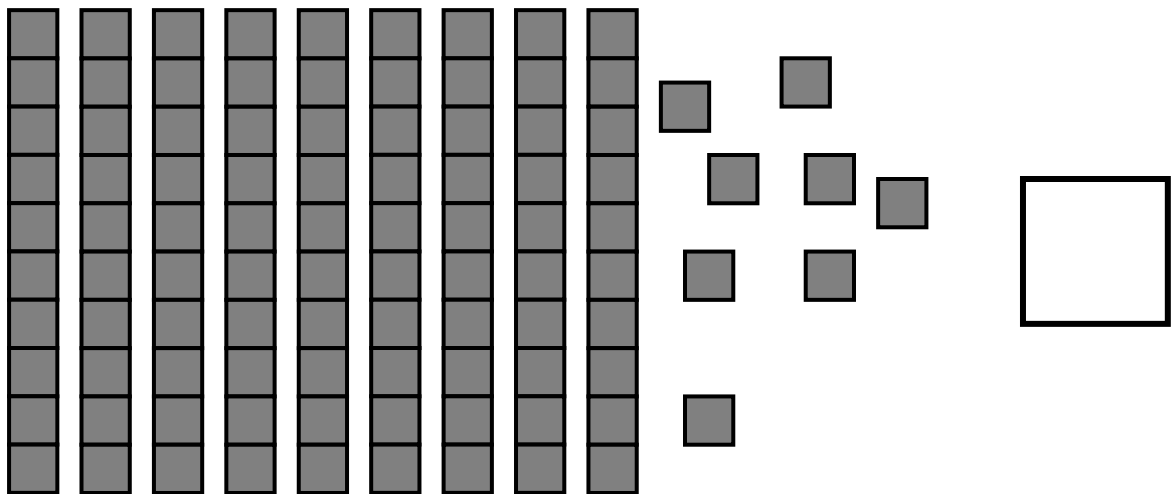
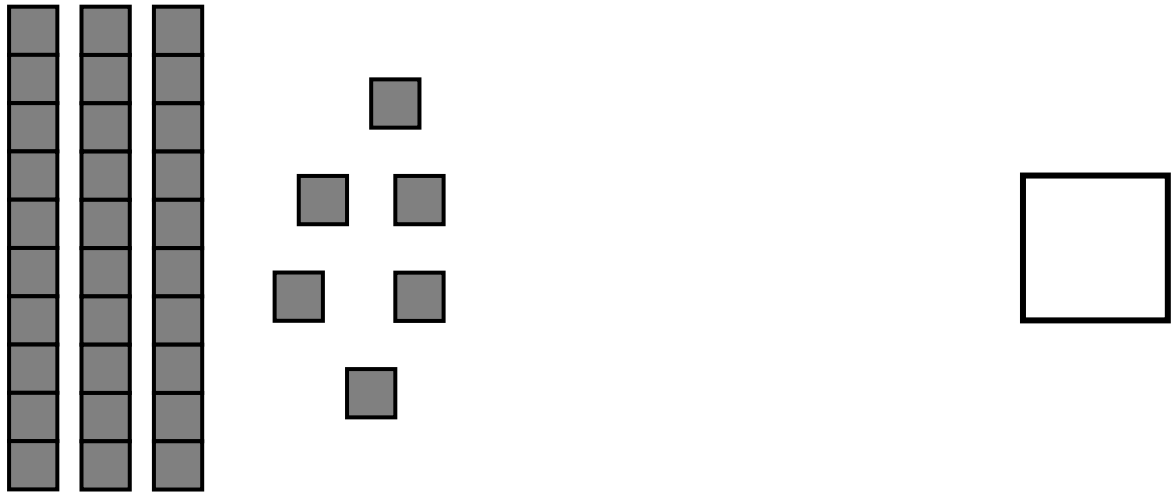
89

98

Homework 4

Tens and Units

Find the numbers that matches the tens and units..



95

25

35

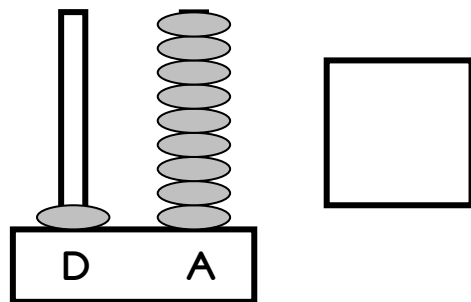
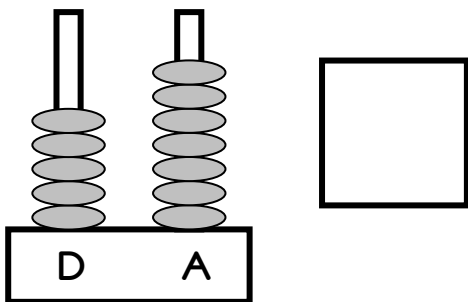
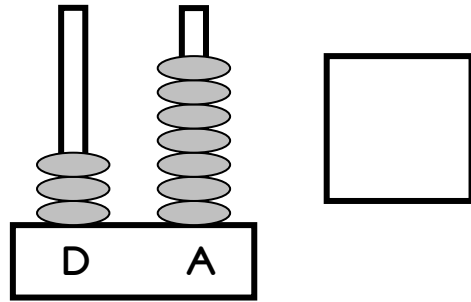
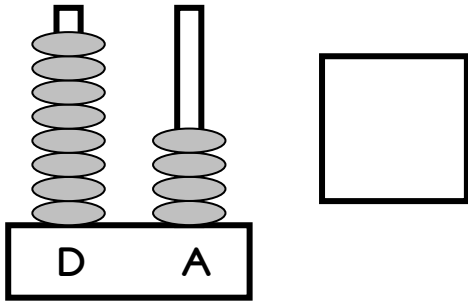
89

98

Obair Bhaile 5

Abacas

Scríobh an uimhir a théann leis na habacais.



37

93

84

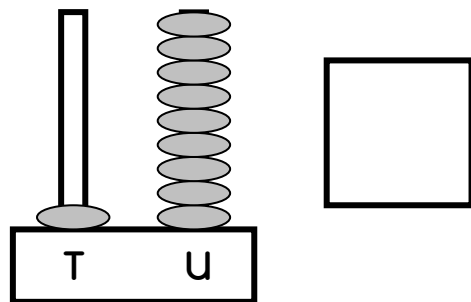
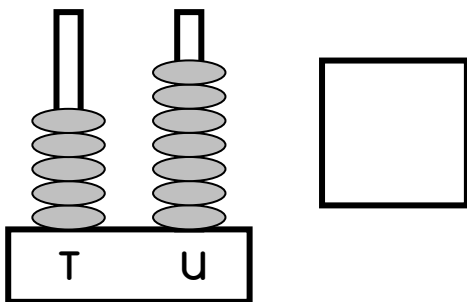
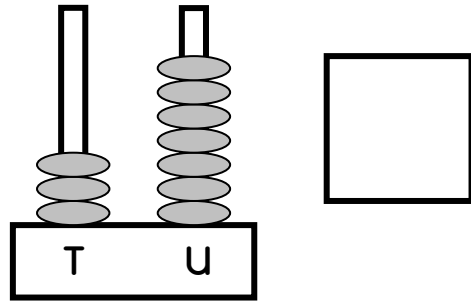
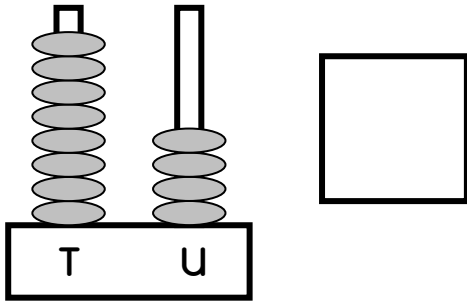
57

19

Homework 5

Abacus

Find the number that matches each abacus.



37

93

84

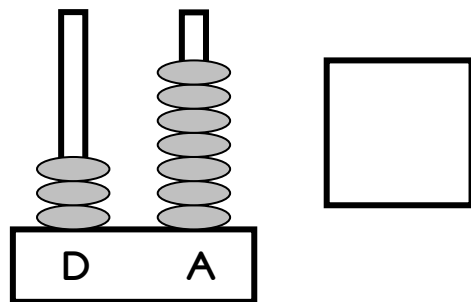
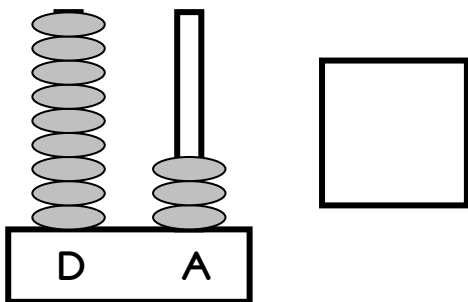
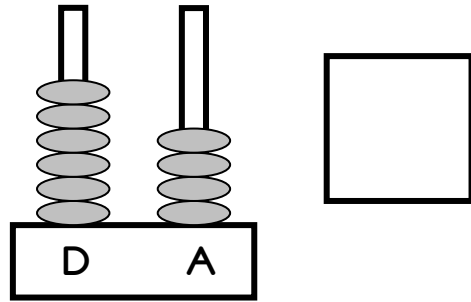
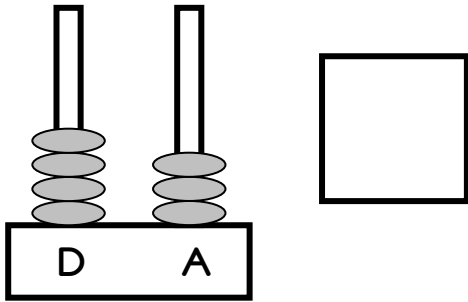
57

19

Obair Bhaile 6

Abacas

Scríobh an uimhir a théann leis na habacais.



64

93

43

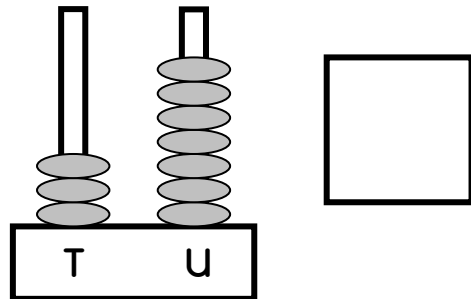
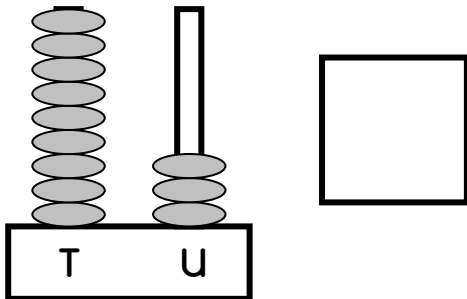
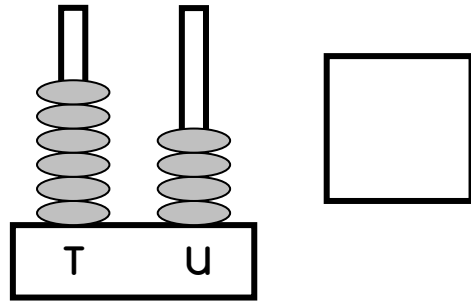
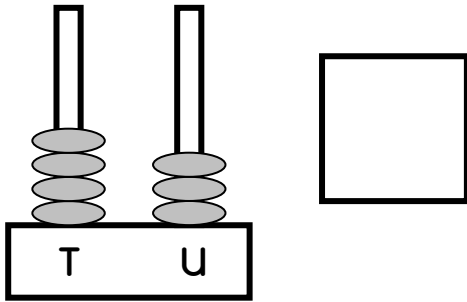
26

37

Homework 6

Abacus

Find the number that matches each abacus.



64

93

43

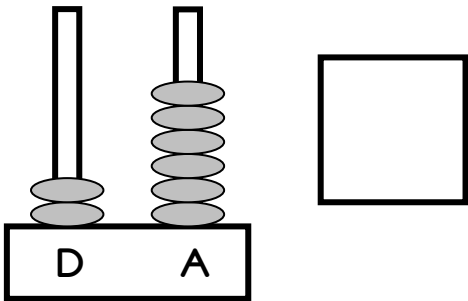
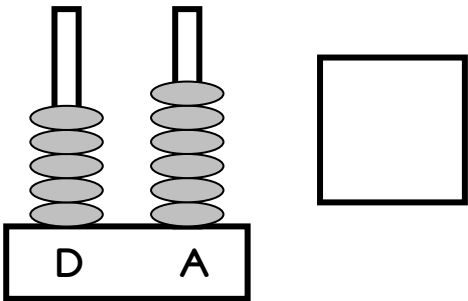
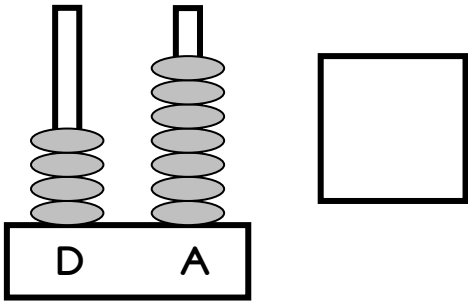
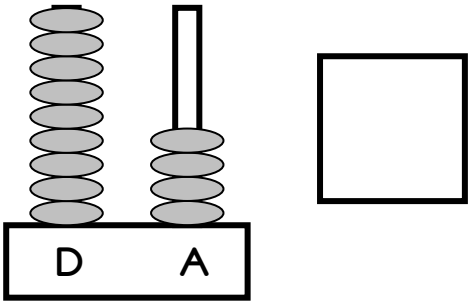
26

37

Obair Bhaile 7

Abacas

Scríobh an uimhir a théann leis na habacais.



56

94

47

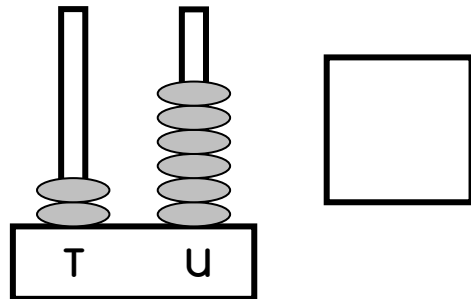
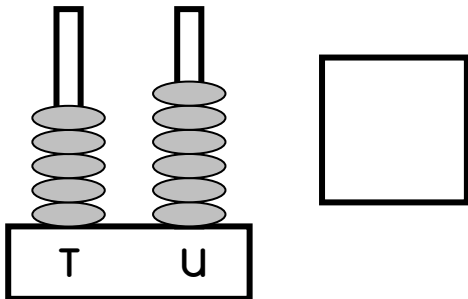
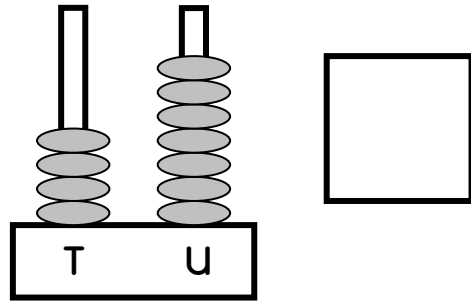
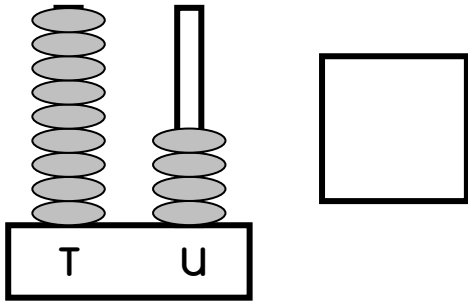
35

26

Homework 7

Abacus

Find the number that matches each abacus.



56

94

47

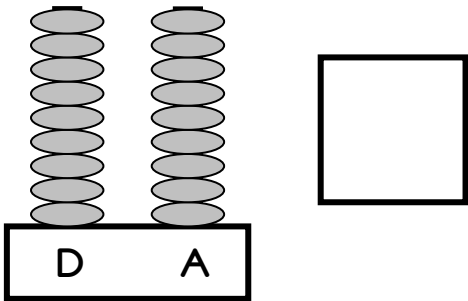
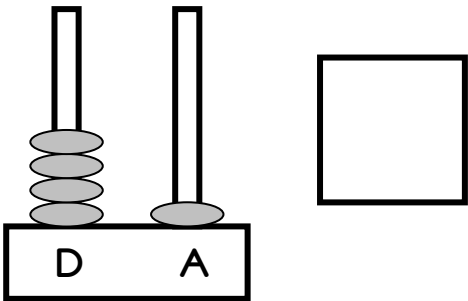
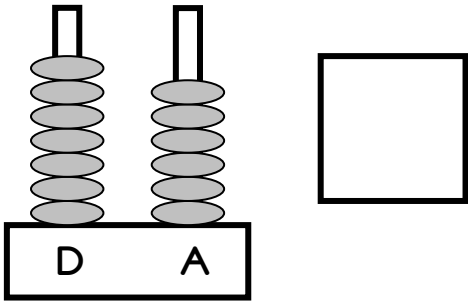
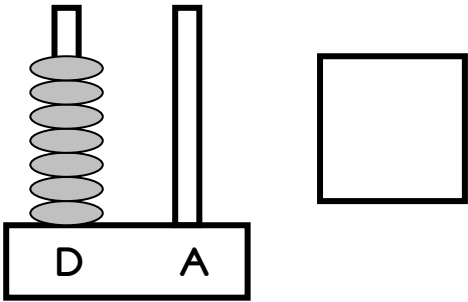
35

26

Obair Bhaile 8

Abacas

Scríobh an uimhir a théann leis na habacais.



70

41

76

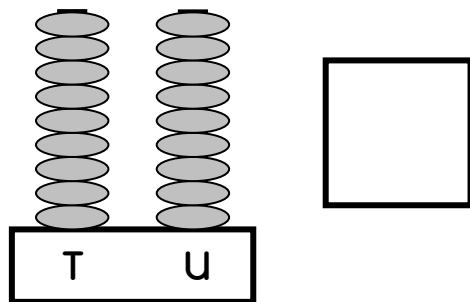
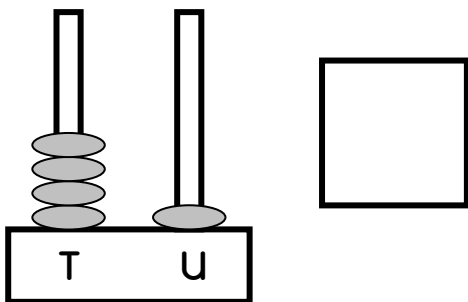
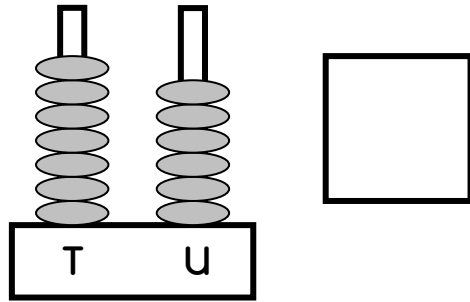
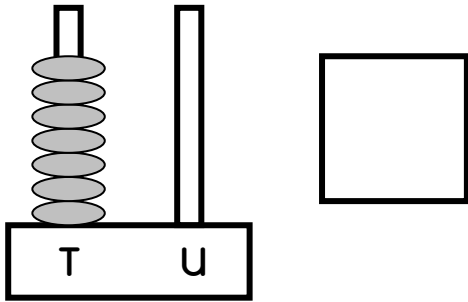
99

80

Homework 8

Abacus

Find the number that matches each abacus.



70

41

76

99

80

Obair Bhaile 9

Luachionad

Cá mhéad deiceanna agus aonaid atá sna huimhreacha seo?

25 = deich agus aonad

38 = deich agus aonad

49 = deich agus aonad

61 = deich agus aonad

6

5

2

3

8

4

1

9

Homework 9

Place Value

How many tens and units are in each of these numbers?

$$25 = \square \text{ tens agus } \square \text{ units}$$

$$38 = \square \text{ tens agus } \square \text{ units}$$

$$49 = \square \text{ tens agus } \square \text{ units}$$

$$61 = \square \text{ tens agus } \square \text{ units}$$

6

5

2

3

8

4

1

9

Obair Bhaile 10

Luachionad

Cá mhéad deiceanna agus aonaid atá sna huimhreacha seo?

$$83 = \square \text{ deich agus } \square \text{ aonad}$$

$$12 = \square \text{ deich agus } \square \text{ aonad}$$

$$47 = \square \text{ deich agus } \square \text{ aonad}$$

$$59 = \square \text{ deich agus } \square \text{ aonad}$$

3

2

1

8

7

4

9

5

Homework 10

Place Value

How many tens and units are in each of these numbers?

$$83 = \square \text{ tens agus } \square \text{ units}$$

$$12 = \square \text{ tens agus } \square \text{ units}$$

$$47 = \square \text{ tens agus } \square \text{ units}$$

$$59 = \square \text{ tens agus } \square \text{ units}$$

3

2

1

8

7

4

9

5

Obair Bhaile 11

Luachionad

Cá mhéad deiceanna agus aonaid atá sna huimhreacha seo?

21 = deich agus aonad

39 = deich agus aonad

48 = deich agus aonad

67 = deich agus aonad

8

7

2

6

1

9

3

4

Homework 11

Place Value

How many tens and units are in each of these numbers?

$$21 = \square \text{ tens agus } \square \text{ units}$$

$$39 = \square \text{ tens agus } \square \text{ units}$$

$$48 = \square \text{ tens agus } \square \text{ units}$$

$$67 = \square \text{ tens agus } \square \text{ units}$$

8

7

2

6

1

9

3

4

Obair Bhaile 12

Luachionad

Cá mhéad deicheanna agus aonaid atá sna huimhreacha seo?

$$93 = \square \text{ deich agus } \square \text{ aonad}$$

$$15 = \square \text{ deich agus } \square \text{ aonad}$$

$$48 = \square \text{ deich agus } \square \text{ aonad}$$

$$60 = \square \text{ deich agus } \square \text{ aonad}$$

0

3

5

9

6

1

8

4

Homework 12

Place Value

How many tens and units are in each of these numbers?

$$93 = \square \text{ tens agus } \square \text{ units}$$

$$15 = \square \text{ tens agus } \square \text{ units}$$

$$48 = \square \text{ tens agus } \square \text{ units}$$

$$60 = \square \text{ tens agus } \square \text{ units}$$

0

3

5

9

6

1

8

4

Obair Bhaile 13

Suimiú Leathnaithe

Cuir na freagraí cearta isteach.

$21 + 1 = \square$

32

$31 + 1 = \square$

22

$41 + 1 = \square$

62

$51 + 1 = \square$

52

$61 + 1 = \square$

42

$71 + 1 = \square$

92

$81 + 1 = \square$

82

$91 + 1 = \square$

72

Homework 13

Extended Addition

Find the correct answers.

$21 + 1 = \square$

32

$31 + 1 = \square$

22

$41 + 1 = \square$

62

$51 + 1 = \square$

52

$61 + 1 = \square$

42

$71 + 1 = \square$

92

$81 + 1 = \square$

82

$91 + 1 = \square$

72

Obair Bhaile 14

Suimiú Leathnaithe

$24 + 2 = \square$

46

$34 + 2 = \square$

36

$44 + 2 = \square$

86

$54 + 2 = \square$

96

$64 + 2 = \square$

26

$74 + 2 = \square$

56

$84 + 2 = \square$

66

$94 + 2 = \square$

76

Homework 14

Extended Addition

Find the correct answers.

$24 + 2 = \square$

46

$34 + 2 = \square$

36

$44 + 2 = \square$

86

$54 + 2 = \square$

96

$64 + 2 = \square$

26

$74 + 2 = \square$

56

$84 + 2 = \square$

66

$94 + 2 = \square$

76

Obair Bhaile 15

Suimiú Leathnaithe

Cuir na freagraí cearta isteach.

$25 + 3 = \square$

48

$35 + 3 = \square$

68

$45 + 3 = \square$

28

$55 + 3 = \square$

88

$65 + 3 = \square$

78

$75 + 3 = \square$

38

$85 + 3 = \square$

58

$95 + 3 = \square$

98

Homework 15

Extended Addition

Find the correct answers.

$25 + 3 = \square$

48

$35 + 3 = \square$

68

$45 + 3 = \square$

28

$55 + 3 = \square$

88

$65 + 3 = \square$

78

$75 + 3 = \square$

38

$85 + 3 = \square$

58

$95 + 3 = \square$

98

Obair Bhaile 16

Suimiú Leathnaithe

Cuir na freagraí cearta isteach.

$23 + 4 = \square$

97

$33 + 4 = \square$

77

$43 + 4 = \square$

57

$53 + 4 = \square$

47

$63 + 4 = \square$

87

$73 + 4 = \square$

67

$83 + 4 = \square$

27

$93 + 4 = \square$

37

Homework 16

Extended Addition

Find the correct answers.

$23 + 4 = \square$

97

$33 + 4 = \square$

77

$43 + 4 = \square$

57

$53 + 4 = \square$

47

$63 + 4 = \square$

87

$73 + 4 = \square$

67

$83 + 4 = \square$

27

$93 + 4 = \square$

37

Obair Bhaile 17

Suimiú Leathnaithe

Cuir na freagraí cearta isteach.

$24 + 5 = \square$

49

$34 + 5 = \square$

89

$44 + 5 = \square$

79

$54 + 5 = \square$

39

$64 + 5 = \square$

69

$74 + 5 = \square$

99

$84 + 5 = \square$

29

$94 + 5 = \square$

59

Homework 17

Extended Addition

Find the correct answers.

$24 + 5 = \square$

49

$34 + 5 = \square$

89

$44 + 5 = \square$

79

$54 + 5 = \square$

39

$64 + 5 = \square$

69

$74 + 5 = \square$

99

$84 + 5 = \square$

29

$94 + 5 = \square$

59

Obair Bhaile 18

Suimiú Leathnaithe

Cuir na freagraí cearta isteach.

$21 + 6 = \square$

57

$31 + 6 = \square$

47

$41 + 6 = \square$

27

$51 + 6 = \square$

77

$61 + 6 = \square$

87

$71 + 6 = \square$

37

$81 + 6 = \square$

67

$91 + 6 = \square$

97

Homework 18

Extended Addition

Find the correct answers.

$21 + 6 = \square$

57

$31 + 6 = \square$

47

$41 + 6 = \square$

27

$51 + 6 = \square$

77

$61 + 6 = \square$

87

$71 + 6 = \square$

37

$81 + 6 = \square$

67

$91 + 6 = \square$

97

Obair Bhaile 19

Suimiú Leathnaithe

Cuir na freagraí cearta isteach.

$22 + 7 = \square$

49

$32 + 7 = \square$

59

$42 + 7 = \square$

89

$52 + 7 = \square$

79

$62 + 7 = \square$

39

$72 + 7 = \square$

29

$82 + 7 = \square$

69

$92 + 7 = \square$

99

Homework 19

Extended Addition

Find the correct answers.

$22 + 7 = \square$

49

$32 + 7 = \square$

59

$42 + 7 = \square$

89

$52 + 7 = \square$

79

$62 + 7 = \square$

39

$72 + 7 = \square$

29

$82 + 7 = \square$

69

$92 + 7 = \square$

99

Obair Bhaile 20

Suimiú Leathnaithe

Cuir na freagraí cearta isteach.

$21 + 8 = \square$

99

$31 + 8 = \square$

89

$41 + 8 = \square$

79

$51 + 8 = \square$

69

$61 + 8 = \square$

59

$71 + 8 = \square$

49

$81 + 8 = \square$

39

$91 + 8 = \square$

29

Homework 20

Extended Addition

Find the correct answers.

$21 + 8 = \square$

99

$31 + 8 = \square$

89

$41 + 8 = \square$

79

$51 + 8 = \square$

69

$61 + 8 = \square$

59

$71 + 8 = \square$

49

$81 + 8 = \square$

39

$91 + 8 = \square$

29

Obair Bhaile 21

Suimiú Leathnaithe

Cuir na freagraí cearta isteach.

$20 + 9 = \square$

49

$30 + 9 = \square$

39

$40 + 9 = \square$

69

$50 + 9 = \square$

89

$60 + 9 = \square$

29

$70 + 9 = \square$

99

$80 + 9 = \square$

79

$90 + 9 = \square$

59

Homework 21

Extended Addition

Find the correct answers.

$20 + 9 = \square$

49

$30 + 9 = \square$

39

$40 + 9 = \square$

69

$50 + 9 = \square$

89

$60 + 9 = \square$

29

$70 + 9 = \square$

99

$80 + 9 = \square$

79

$90 + 9 = \square$

59

Obair Bhaile 22

Dealú Leathnaithe

Cuir na freagraí cearta isteach.

$26 - 1 = \square$

$36 - 1 = \square$

$46 - 1 = \square$

$56 - 1 = \square$

$66 - 1 = \square$

$76 - 1 = \square$

$86 - 1 = \square$

$96 - 1 = \square$

45

65

35

25

85

55

95

75

Homework 22

Extended Addition

Find the correct answers.

$26 - 1 = \square$

45

$36 - 1 = \square$

65

$46 - 1 = \square$

35

$56 - 1 = \square$

25

$66 - 1 = \square$

85

$76 - 1 = \square$

55

$86 - 1 = \square$

95

$96 - 1 = \square$

75

Obair Bhaile 23

Dealú Leathnaithe

Cuir na freagraí cearta isteach.

$29 - 2 = \square$

47

$39 - 2 = \square$

67

$49 - 2 = \square$

27

$59 - 2 = \square$

97

$69 - 2 = \square$

57

$79 - 2 = \square$

37

$89 - 2 = \square$

77

$99 - 2 = \square$

87

Homework 23

Extended Addition

Find the correct answers.

$29 - 2 = \square$

47

$39 - 2 = \square$

67

$49 - 2 = \square$

27

$59 - 2 = \square$

97

$69 - 2 = \square$

57

$79 - 2 = \square$

37

$89 - 2 = \square$

77

$99 - 2 = \square$

87

Obair Bhaile 24

Dealú Leathnaithe

Cuir na freagraí cearta isteach.

$27 - 3 = \square$

34

$37 - 3 = \square$

54

$47 - 3 = \square$

94

$57 - 3 = \square$

74

$67 - 3 = \square$

44

$77 - 3 = \square$

24

$87 - 3 = \square$

64

$97 - 3 = \square$

84

Homework 24

Extended Addition

Find the correct answers.

$27 - 3 = \square$

34

$37 - 3 = \square$

54

$47 - 3 = \square$

94

$57 - 3 = \square$

74

$67 - 3 = \square$

44

$77 - 3 = \square$

24

$87 - 3 = \square$

64

$97 - 3 = \square$

84

Obair Bhaile 25

Dealú Leathnaithe

Cuir na freagraí cearta isteach.

$26 - 4 = \square$

92

$36 - 4 = \square$

72

$46 - 4 = \square$

42

$56 - 4 = \square$

32

$66 - 4 = \square$

62

$76 - 4 = \square$

22

$86 - 4 = \square$

82

$96 - 4 = \square$

52

Homework 25

Extended Addition

Find the correct answers.

$26 - 4 = \square$

92

$36 - 4 = \square$

72

$46 - 4 = \square$

42

$56 - 4 = \square$

32

$66 - 4 = \square$

62

$76 - 4 = \square$

22

$86 - 4 = \square$

82

$96 - 4 = \square$

52

Obair Bhaile 26

Dealú Leathnaithe

Cuir na freagraí cearta isteach.

$29 - 5 = \square$

34

$39 - 5 = \square$

54

$49 - 5 = \square$

94

$59 - 5 = \square$

64

$69 - 5 = \square$

24

$79 - 5 = \square$

84

$89 - 5 = \square$

44

$99 - 5 = \square$

74

Homework 26

Extended Addition

Find the correct answers.

$29 - 5 = \square$

34

$39 - 5 = \square$

54

$49 - 5 = \square$

94

$59 - 5 = \square$

64

$69 - 5 = \square$

24

$79 - 5 = \square$

84

$89 - 5 = \square$

44

$99 - 5 = \square$

74

Obair Bhaile 27

Dealú Leathnaithe

Cuir na freagraí cearta isteach.

$28 - 6 = \square$

42

$38 - 6 = \square$

52

$48 - 6 = \square$

72

$58 - 6 = \square$

32

$68 - 6 = \square$

82

$78 - 6 = \square$

62

$88 - 6 = \square$

22

$98 - 6 = \square$

92

Homework 27

Extended Addition

Find the correct answers.

$28 - 6 = \square$

42

$38 - 6 = \square$

52

$48 - 6 = \square$

72

$58 - 6 = \square$

32

$68 - 6 = \square$

82

$78 - 6 = \square$

62

$88 - 6 = \square$

22

$98 - 6 = \square$

92

Obair Bhaile 28

Dealú Leathnaithe

Cuir na freagraí cearta isteach.

$27 - 7 = \square$

50

$37 - 7 = \square$

60

$47 - 7 = \square$

40

$57 - 7 = \square$

90

$67 - 7 = \square$

70

$77 - 7 = \square$

80

$87 - 7 = \square$

30

$97 - 7 = \square$

20

Homework 28

Extended Addition

Find the correct answers.

$27 - 7 = \square$

50

$37 - 7 = \square$

60

$47 - 7 = \square$

40

$57 - 7 = \square$

90

$67 - 7 = \square$

70

$77 - 7 = \square$

80

$87 - 7 = \square$

30

$97 - 7 = \square$

20

Obair Bhaile 29

Dealú Leathnaithe

Cuir na freagraí cearta isteach.

$29 - 8 = \square$

31

$39 - 8 = \square$

51

$49 - 8 = \square$

71

$59 - 8 = \square$

41

$69 - 8 = \square$

21

$79 - 8 = \square$

91

$89 - 8 = \square$

81

$99 - 8 = \square$

61

Homework 29

Extended Addition

Find the correct answers.

$29 - 8 = \square$

31

$39 - 8 = \square$

51

$49 - 8 = \square$

71

$59 - 8 = \square$

41

$69 - 8 = \square$

21

$79 - 8 = \square$

91

$89 - 8 = \square$

81

$99 - 8 = \square$

61

Obair Bhaile 30

Dealú Leathnaithe

Cuir na freagraí cearta isteach.

$29 - 9 = \square$

$39 - 9 = \square$

$49 - 9 = \square$

$59 - 9 = \square$

$69 - 9 = \square$

$79 - 9 = \square$

$89 - 9 = \square$

$99 - 9 = \square$

90

80

70

60

50

40

30

20

Homework 30

Extended Addition

Find the correct answers.

$29 - 9 = \square$

90

$39 - 9 = \square$

80

$49 - 9 = \square$

70

$59 - 9 = \square$

60

$69 - 9 = \square$

50

$79 - 9 = \square$

40

$89 - 9 = \square$

30

$99 - 9 = \square$

20

