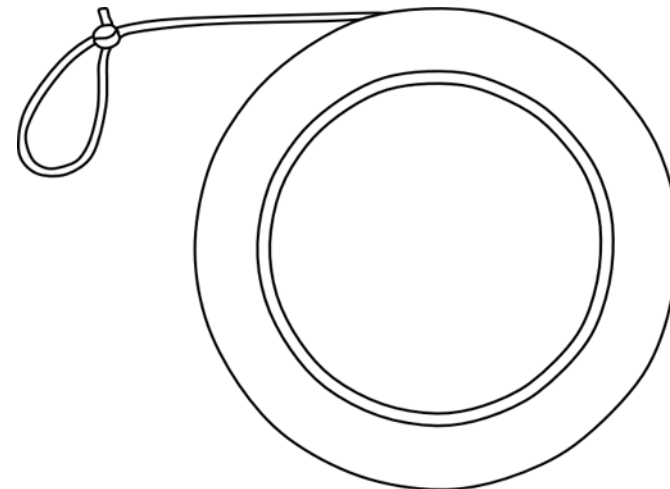
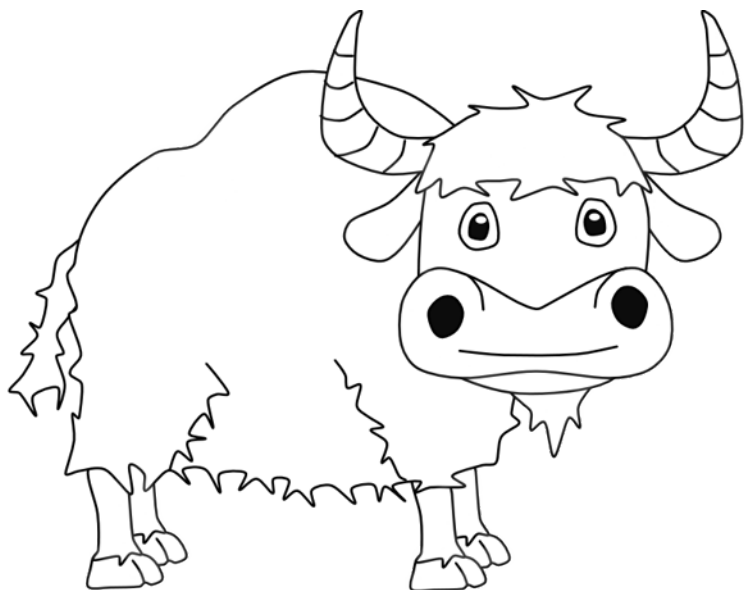
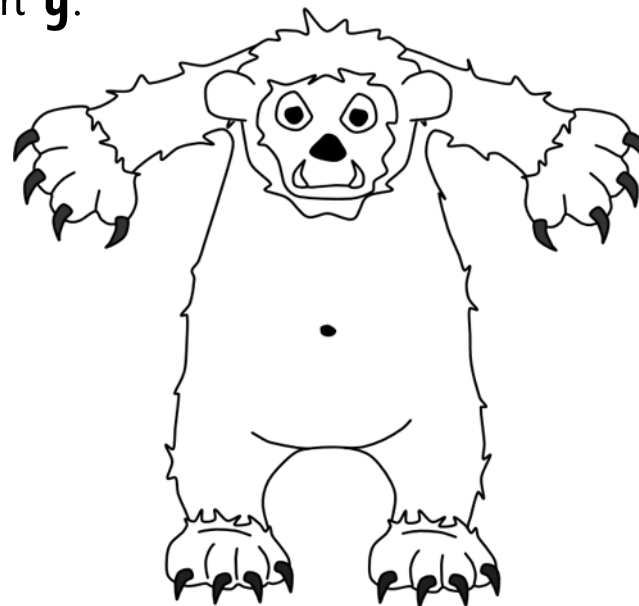
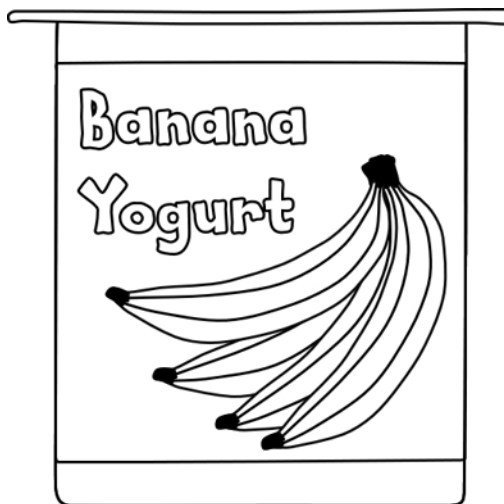
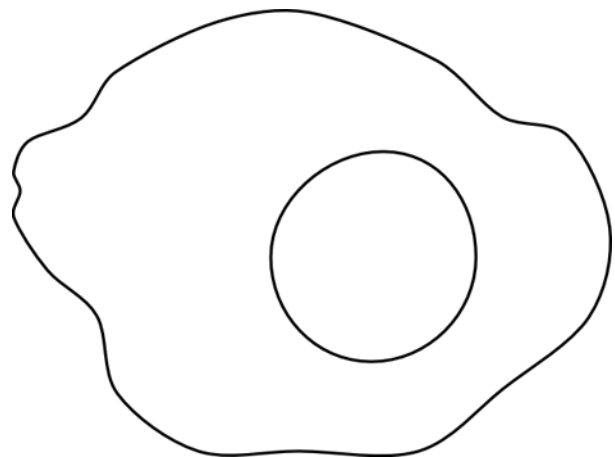
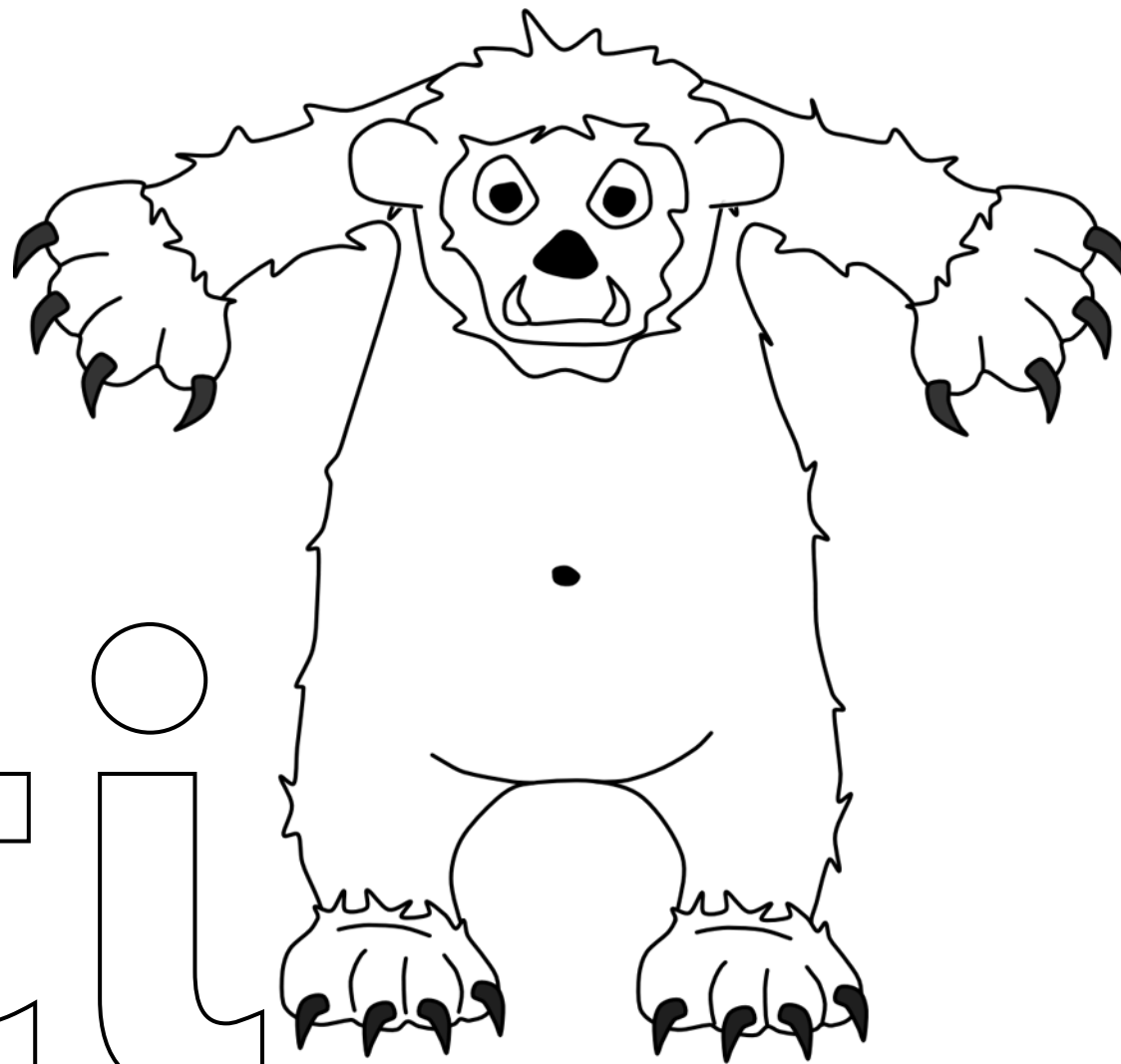


# Which pictures have y?

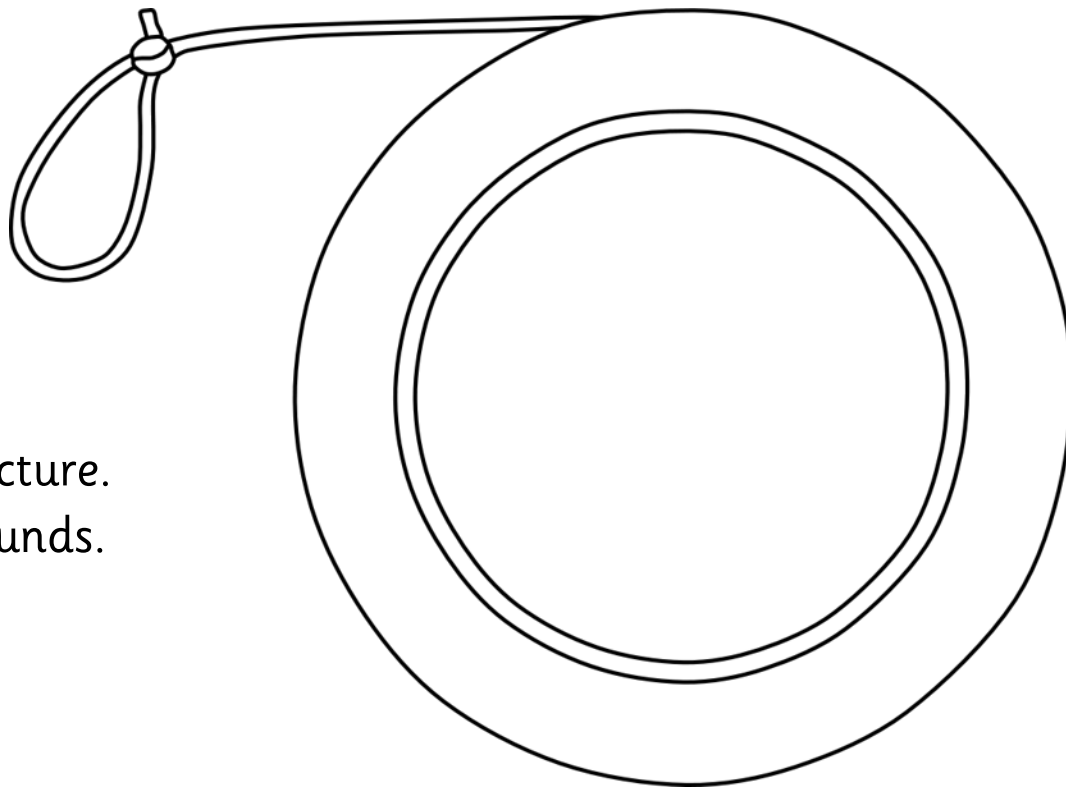
Colour the pictures that begin with **y**.



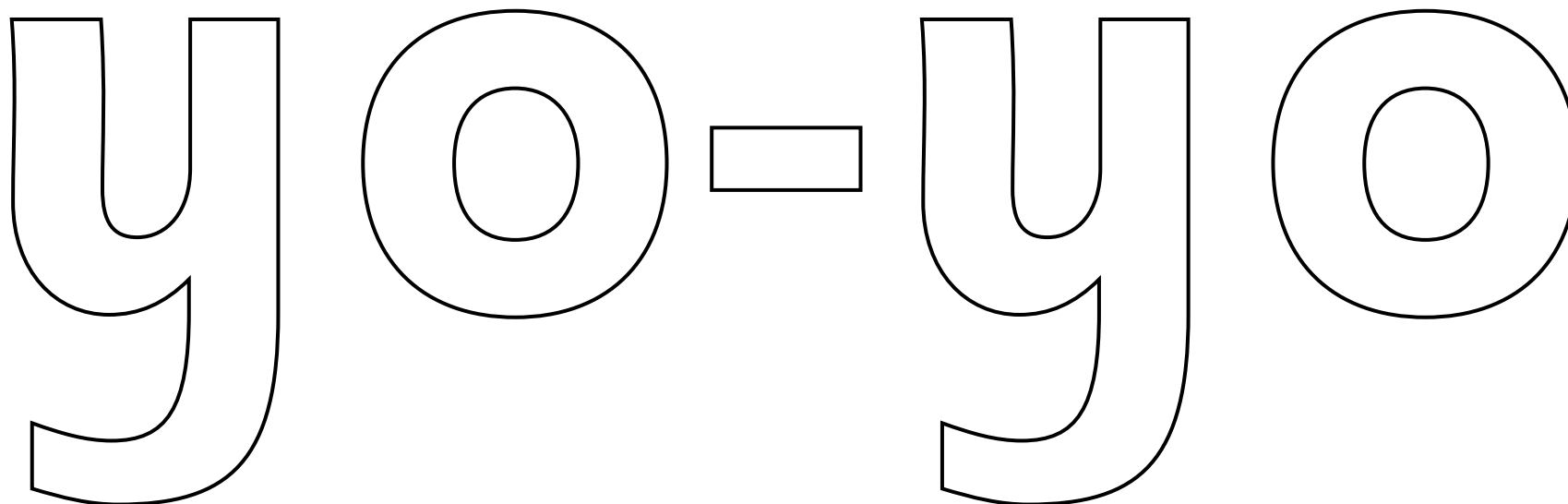
Colour the word and the picture.  
Draw a line under the **y**.



y e t i

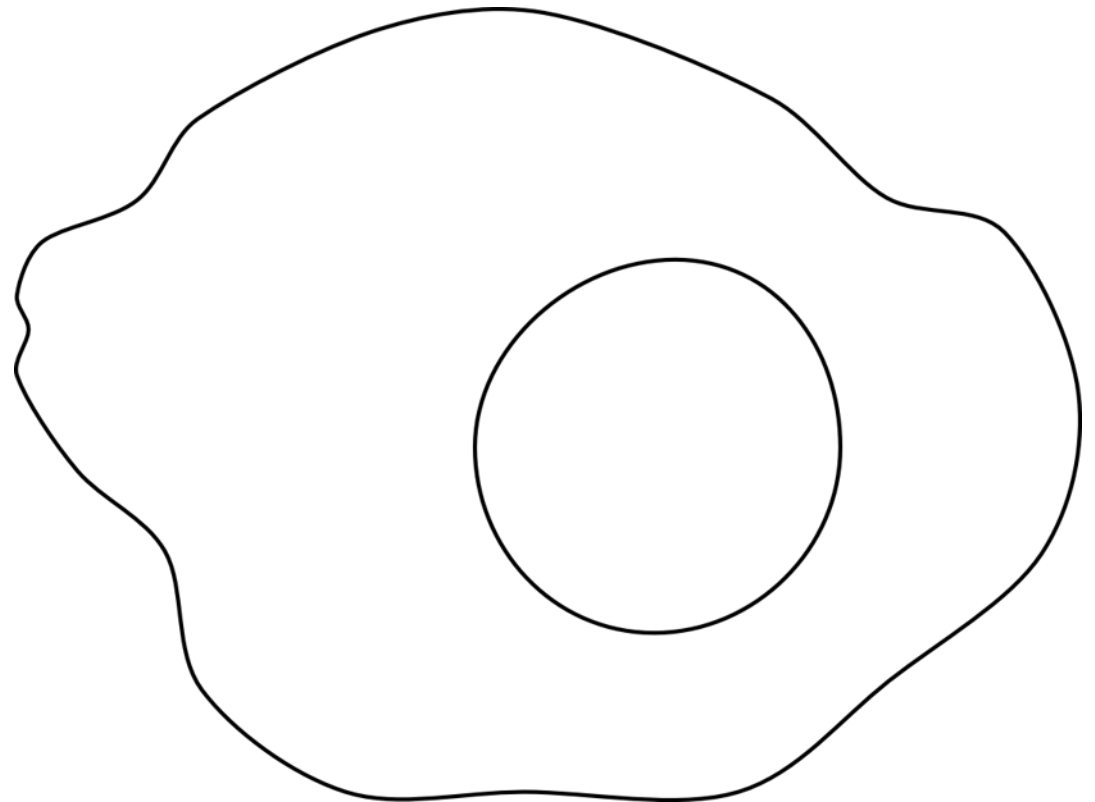


Colour the word and the picture.  
Draw a line under the **y** sounds.



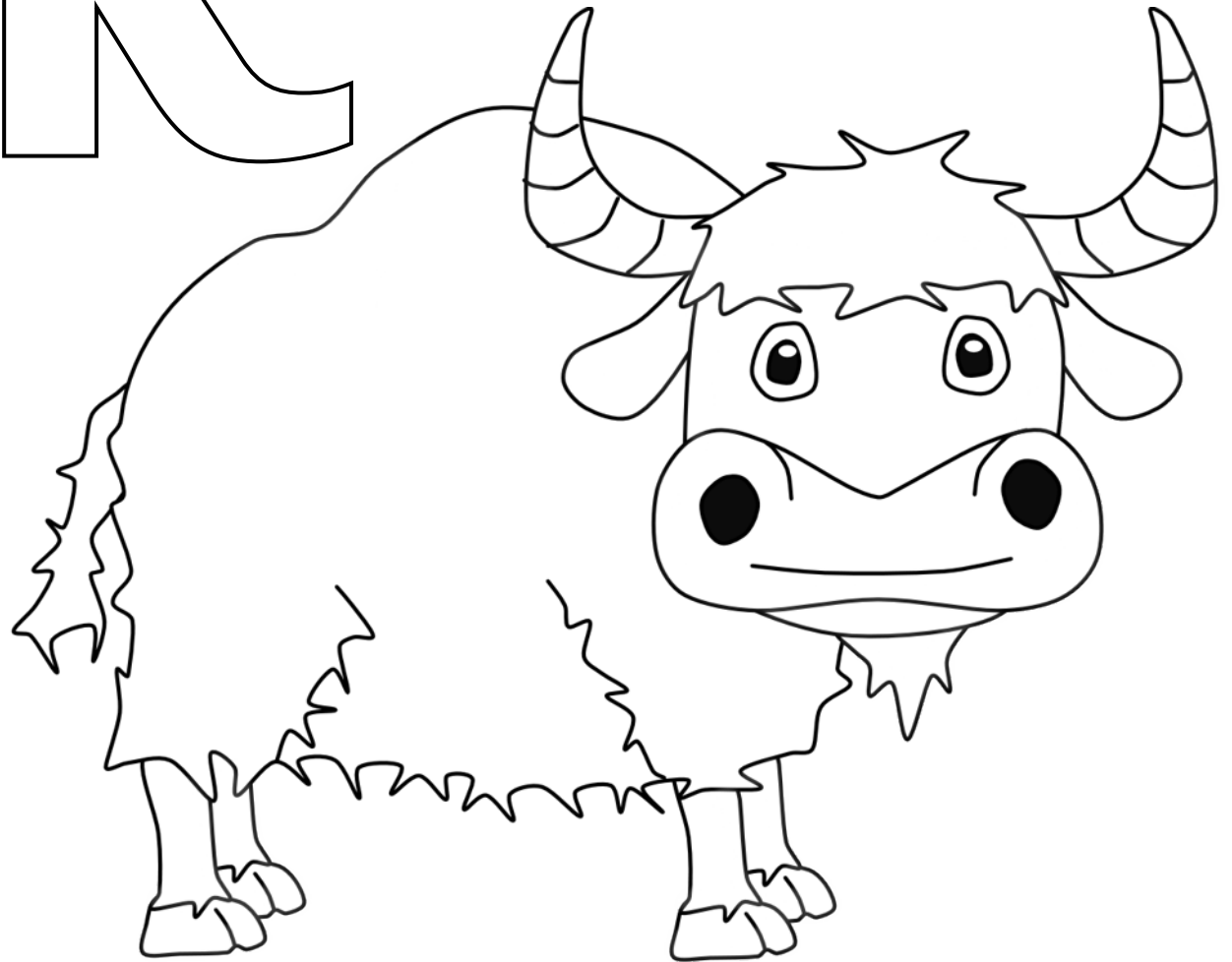
yolk

Colour the word and the picture.  
Draw a line under the **y**.



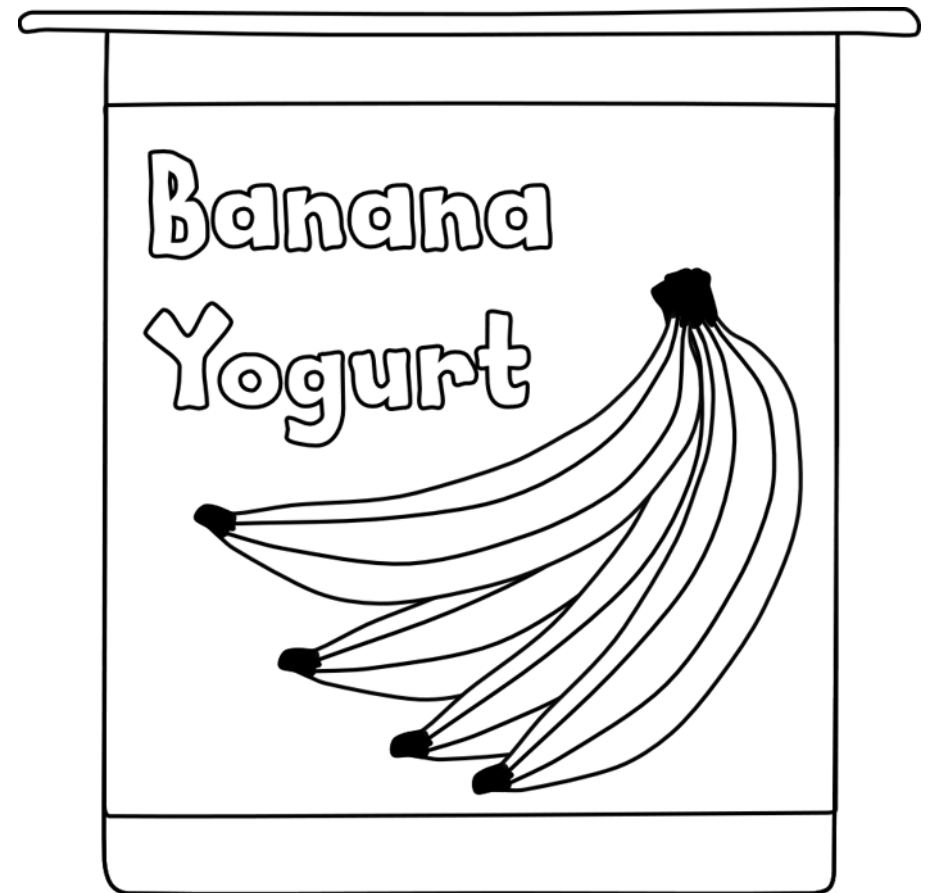
yak

Colour the word and the picture.  
Draw a line under the **y**.

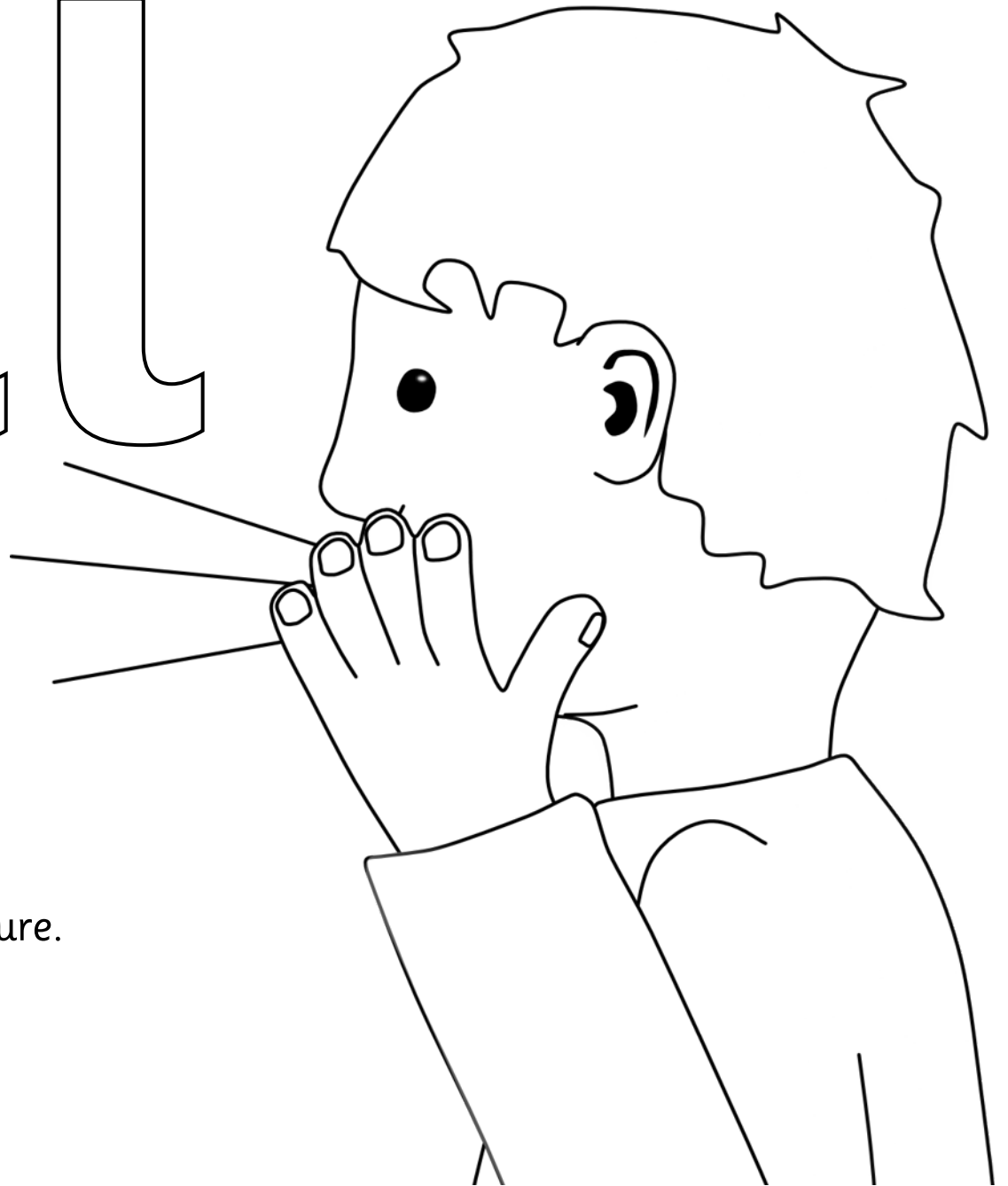


y o g u r t

Colour the word and the picture.  
Draw a line under the **y**.



yell



Colour the word and the picture.  
Draw a line under the **y**.