

# THE TRANSFER TEST

GL

Practice Test  
Maths Paper 1

**Time: 45 minutes**

**This test must not be copied.**

1

Which of the decimal numbers below is bigger than  $3\frac{1}{3}$  and smaller than  $3\frac{3}{4}$ ?

A 3.21

B 3.11

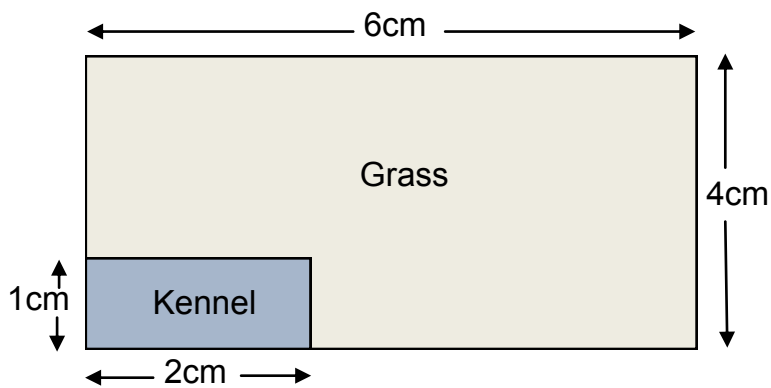
C 3.01

D 3.31

E 3.41

2

Look at the plan of a garden below. In one corner of the garden is a kennel. The garden and the kennel are both rectangular. The ground in the kennel is made of concrete. The garden is covered with grass.



On the plan: 1 centimetre represents 3 metres.

What is the area of the kennel on the plan?

A  $24\text{cm}^2$ B  $2\text{cm}^2$ C  $216\text{m}^2$ D  $18\text{m}^2$ D  $22\text{m}^2$ 

3

What is the actual perimeter of the part of the garden which is covered with grass?

A 22cm

B 66m

C 60m

D 20cm

E 18m

Please go to the next page >>>

4

Look at the five fractions below.

$$\frac{3}{4} \quad \frac{1}{2} \quad \frac{1}{10} \quad \frac{1}{4} \quad \frac{1}{3}$$

Clara writes these fractions in order from smallest to largest.

**Which fraction will be the middle fraction when Clara writes them in order?**

- A**  $\frac{3}{4}$     **B**  $\frac{1}{2}$     **C**  $\frac{1}{10}$     **D**  $\frac{1}{4}$     **E**  $\frac{1}{3}$

5

A carton containing 1 litres of orange juice costs £2.00.

**What is the cost of half a litre of orange juice?**

- A** £0.50    **B** £1.00    **C** £1.50    **D** £3.00    **E** £4.00

6

**What is the cost of orange juice for two litres?**

- A** £0.50    **B** £1.00    **C** £1.50    **D** £3.00    **E** £4.00

7

The statements below are about three dimensional solid objects.

**Which of these statements is correct?**

- A** A cuboid has 6 vertices  
**B** A sphere has 1 edge  
**C** A cube has 8 faces  
**D** A triangular prism has 8 edges  
**E** A square based pyramid has 5 vertices

Please go to the next page >>>

8

Justin bought 5 items in a supermarket. His receipt is shown below. The price of the bacon has been torn off the receipt.

Bacon	
Milk	£0.45
Pancakes	£1.05
Juice	£0.79
Sausages	£3.73
<b>Total</b>	<b>£6.87</b>

**How much was the bacon?**

- A** £1.85      **B** £0.95      **C** £0.85      **D** £1.95      **E** £1.05

9

The temperature in Belfast is 10°C and the temperature in Moscow is - 6°C.

**What is the difference between the two temperatures?**

- A** 16°C      **B** 4°C      **C** 15°C      **D** 17°C      **E** 5°C

10

Look at the multiplication below:

$$2 \times 432 = 864$$

**What is the answer to this calculation:  $20 \times 432 = ?$**

- A** 86.4      **B** 864      **C** 4320      **D** 8640      **E** 432

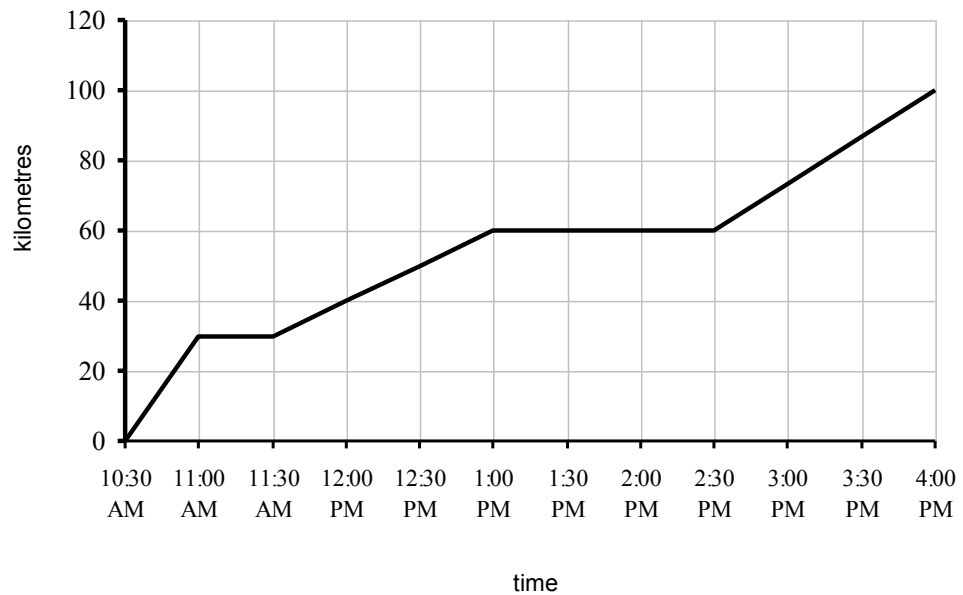
Please go to the next page >>>

11

The Beckett family are on holiday.

They start from their house and travel by car to visit some local parks.

Their journey is shown in the graph below.



**How far have they travelled from their house at 13:00?**

- A** 30 km      **B** 75 km      **C** 50 km      **D** 60 km      **E** 90 km

12

**How long did the Beckett family stop for a morning snack?**

- A** 90 mins      **B** 60 mins      **C** 3 hours      **D** 30 mins      **E**  $\frac{1}{4}$  hour

13

Lexie takes 8 minutes to run 2000 metres at a steady speed.

**How long would she take to run 1 kilometre at the same steady speed?**

- A** 48 minutes      **B** 4 minutes      **C** 40 minutes      **D** 16 minutes      **E** 24 minutes

Please go to the next page >>>

14

Danielle is making shapes using square tiles.  
The first three shapes are shown below.

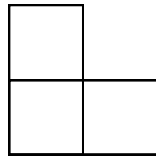
Shape 1 has 1 tile.

Shape 2 has 3 tiles.

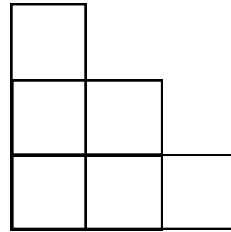
Shape 3 has 6 tiles.



Shape 1



Shape 2



Shape 3

**How many tiles are there in Shape 4?**

- A** 10      **B** 8      **C** 9      **D** 11      **E** 12

15

Look at the number of tiles in the first 3 shapes.

The number of tiles in each shape is called a “triangular number”.

The first 3 triangular numbers are 1, 3 and 6.

Now look at the 5 numbers below.

**Which of these numbers are triangular numbers?**

- A** 20      **B** 44      **C** 16      **D** 21      **E** 13

16

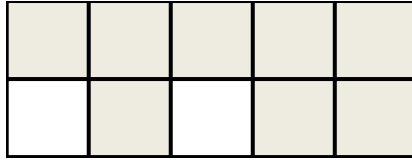
Isla is facing North. She turns anti-clockwise through  $90^\circ$ .

**In which direction is she now facing?**

- A** South    **B** West    **C** East    **D** North-west    **E** North-east

Please go to the next page >>>

- 17 The rectangle below is divided into squares of equal area.



What percentage of the rectangle is shaded?

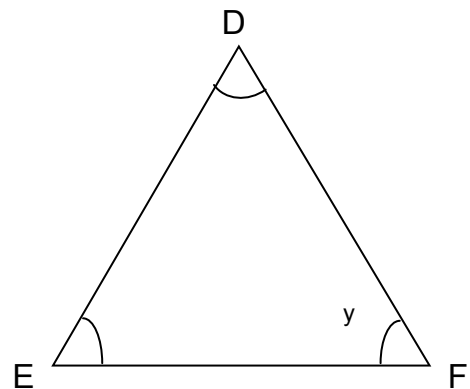
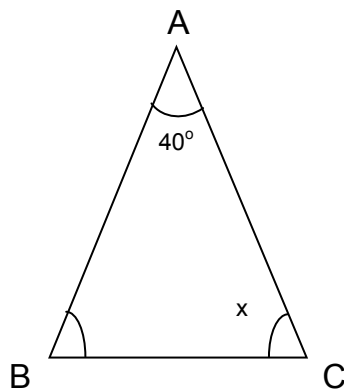
- A 2%      B 98%      C 8%      D 80%      E 20%

- 18 One tenth is the same as  hundredths.

Which number in the box makes the statement true?

- A 1      B 10      C 100      D 1000      E 10000

- 19 Look at the 2 triangles below. The triangle ABC is isosceles. The sides AB and AC are the same length. The triangle DEF is equilateral.



By how many degrees is angle x greater than angle y?

- A  $15^\circ$       B  $10^\circ$       C  $80^\circ$       D  $20^\circ$       E  $5^\circ$

Please go to the next page >>>

**20**

Look at the list of 7 numbers in the box.

45	29	14	6	25	21	15
----	----	----	---	----	----	----

**Which number is a factor of 24?****A 45    B 29    C 14    D 6    E 21****21****Which number is a multiple of 9?****A 45    B 29    C 25    D 6    E 15****22****Which number is a prime number?****A 45    B 29    C 14    D 6    E 15****23****Which number is a square number?****A 45    B 14    C 6    D 25    E 21****Please go to the next page >>>**



24

A sheet of card is one millimetre thick.

**Which statement is correct?**

- A The thickness of the card is one tenth of a metre
- B The thickness of the card is one hundredth of a kilometre
- C The thickness of the card is one tenth of a centimetre
- D The thickness of the card is one hundredth of a centimetre
- E The thickness of the card is one hundredth of a metre

25

**What is 3:51 am as a 24 hour clock time?**

- A 05:51      B 15:51      C 13:51      D 03:51      E 17:51

26

**What is 3:51 pm as a 24 hour clock time?**

- A 05:51      B 15:51      C 13:51      D 03:51      E 17:51

27

Ross makes a sequence using this rule:

<b>Half the previous number</b>
---------------------------------

\_\_\_\_\_, 208, 104, \_\_\_\_\_, 26, 13 ...

**What are the missing numbers in Ross's sequence?**

- A 416 and 54      B 316 and 52      C 416 and 56      D 318 and 52      E 416 and 52

Please go to the next page >>>

**28** Look at the two numbers below.

0.3      0.24

**What is the answer when you multiply the larger of the two numbers by 10?**

**A 2.4      B 0.03      C 24      D 30      E 3**

**29** **What is 5:15pm as a 24 hour clock time?**

**A 05:15      B 5:15      C 15:15      D 13:15      E 17:15**

**30** **What is  $28 \div 10$ ?**

**A 280      B 2.8      C 0.28      D 28      E 0.028**

**31** **What is  $35 \times 100$ ?**

**A 0.35      B 3500      C 35      D 350      E 35000**

**32** **What is  $43.2 \times 10$ ?**

**A 4.32      B 430.2      C 432      D 0.432      E 40.32**

Please go to the next page >>>

33

Flour costs £1.80 per kilogram.

How much would 500g cost?

A £0.18

B £9.00

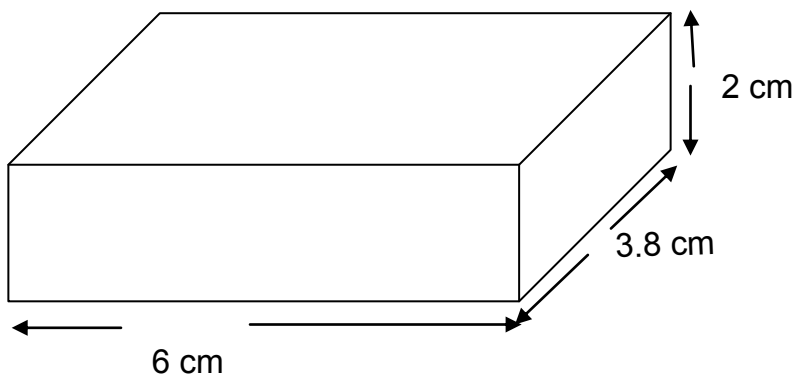
C £0.90

D £0.09

E £90.00

34

The cuboid below is 6 cm by 3.8 cm by 2 cm.



What is the volume of this cuboid?

A  $40.6\text{cm}^3$

B  $41.6\text{cm}^3$

C  $39.6\text{cm}^3$

D  $45.6\text{cm}^3$

E  $43.6\text{cm}^3$

35



$$\times 8 = 75.2$$

What decimal number should be in the box?

A 601.6

B 9.4

C 11.9

D 9.3

E 600.6

Please go to the next page >>>

36

A map has the following scale:

1 centimetre represents 8 kilometres.

The distance between 2 towns on the map is 6cm.

**What is the actual distance between the 2 towns in kilometres?**

**A** 48 km

**B** 14 km

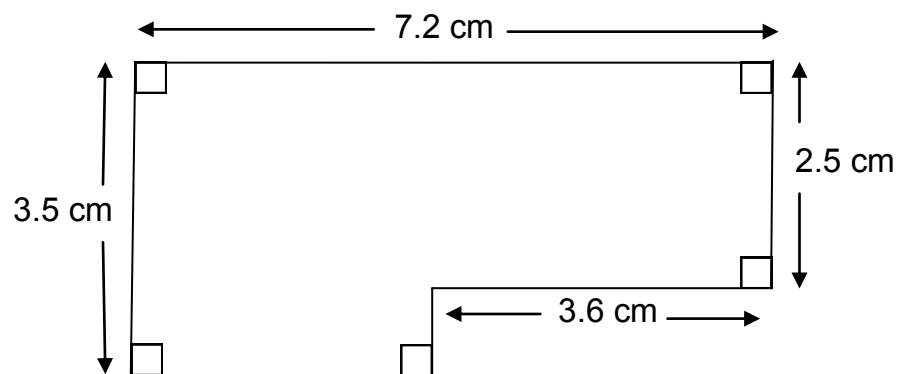
**C** 48 cm

**D** 14 cm

**E**  $\frac{6}{8}$  km

37

Look at the shape below.



**What is the perimeter of the shape?**

**A** 16.8 cm

**B** 21.4 cm

**C** 15.8 cm

**D** 20.4 cm

**E** 20.5 cm

38

A number is made up of 7 units, 20 tens and 4 hundreds. Jason divides this number by 10.

**What decimal number does Jason get?**

**A** 0.31

**B** 42.7

**C** 427

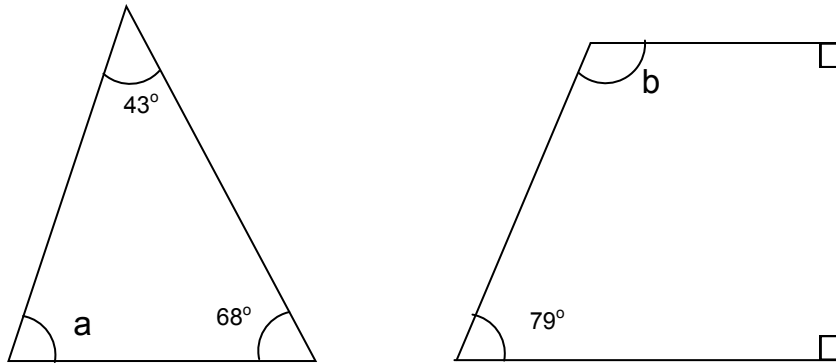
**D** 60.7

**E** 607

Please go to the next page >>>

39

Look at the triangle and quadrilateral below.



By how many degrees is angle b greater than angle a?

- A  $170^\circ$       B  $168^\circ$       C  $32^\circ$       D  $48^\circ$       E  $31^\circ$

40

Look at the calculation below.

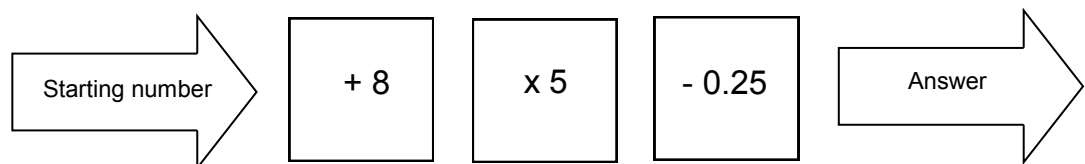
$$\underline{\quad ? \quad} + 146 = 827$$

What is the number that completes the calculation?

- A 681      B 973      C 721      D 963      E 873

41

Look at the function machine below.



What answer does the function machine give when the starting number is 13?

- A 104.75      B 109.75      C 99.75      D 105.25      E 102.5

Please go to the next page >>>

42

If  $a = 6$ ,  $b = 9$  and  $c = 8$ 

$$a^2 = ?$$

- A 12      B 36      C 18      D 2      E 81

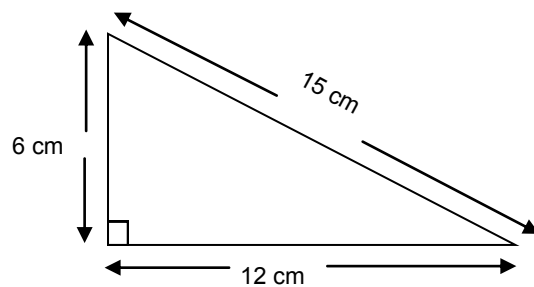
43

$$b + c = ?$$

- A 98      B 1      C 17      D 16      E 18

44

Look at the right-angled triangle below.



What is the perimeter of the triangle?

- A 72 cm      B 36 cm      C 33 cm      D 23 cm      E 32 cm

45

What is the area of the triangle?

- A  $72 \text{ cm}^2$       B  $36 \text{ cm}^2$       C  $33 \text{ cm}^2$       D  $23 \text{ cm}^2$       E  $32 \text{ cm}^2$

**END OF TEST**



**GL MATHS PAPER 1****ANSWER SHEET**

---

**1 E****2 B****3 C****4 E****5 B****6 E****7 E****8 C****9 A****10 D****11 D****12 D****13 B****14 A****15 D****16 B****17 D****18 B****19 B****20 D****21 A****22 B****23 D****24 C****25 D****26 B****27 E****28 E****29 E****30 B****31 B****32 C****33 C****34 D****35 B****36 A****37 B****38 D****39 C****40 A****41 A****42 B****43 C****44 C****45 B**