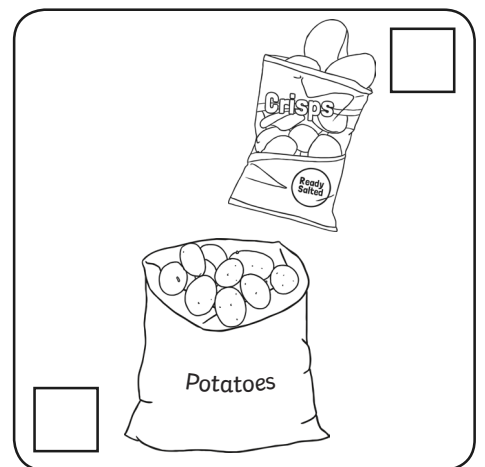
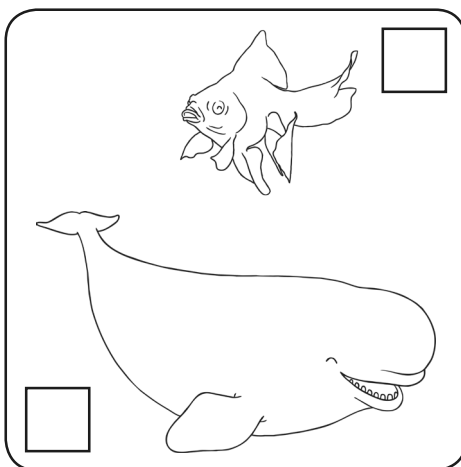
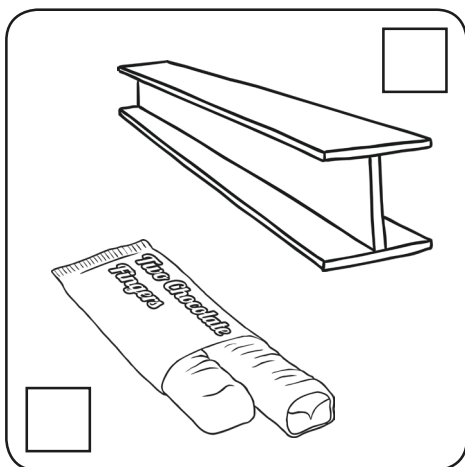
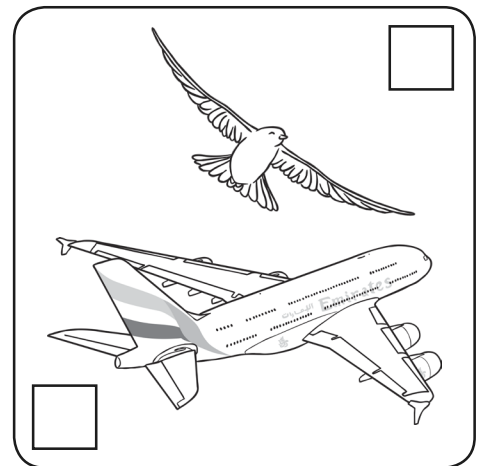
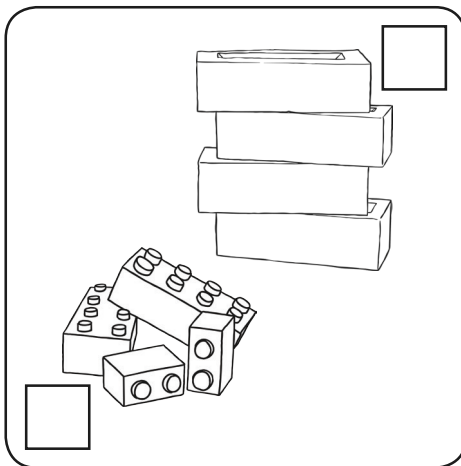
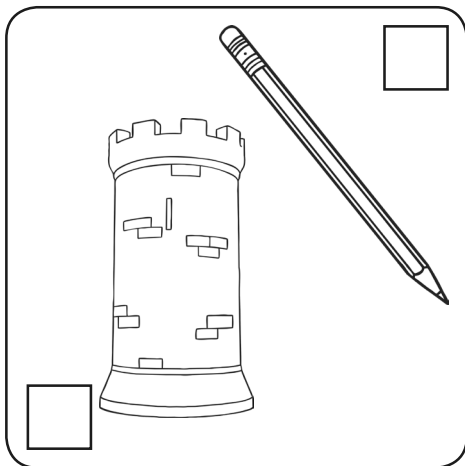
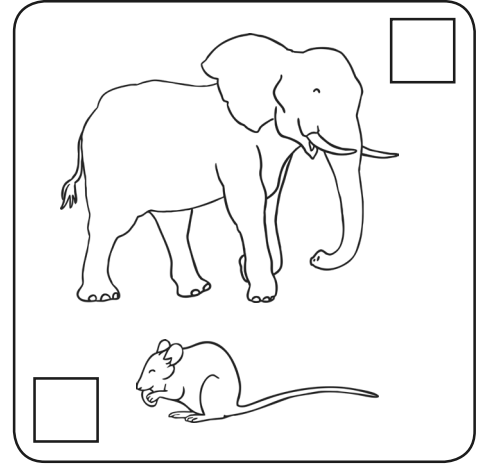
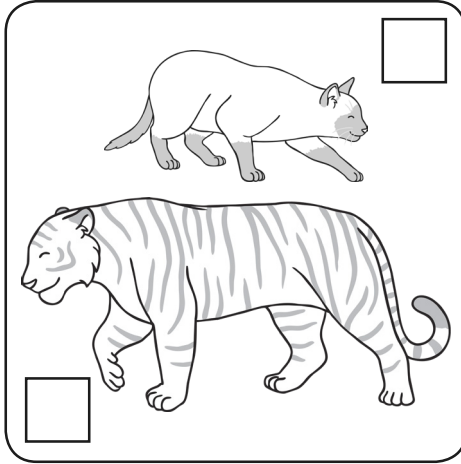
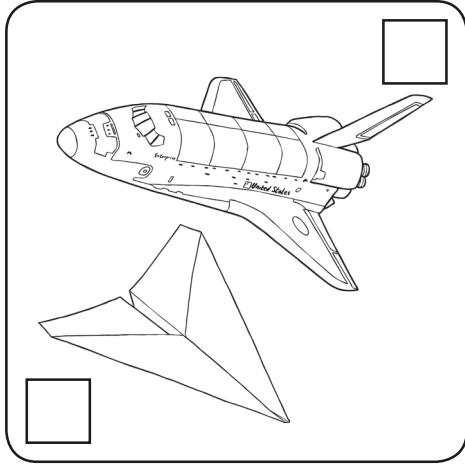


Éadrom nó Trom?

Cuir tic in aice leis an rud is troime.



Éadrom nó Trom? - Freagraí

