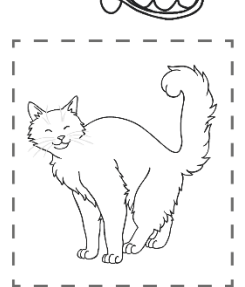
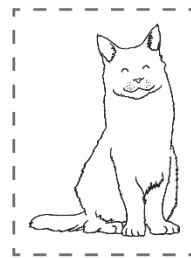
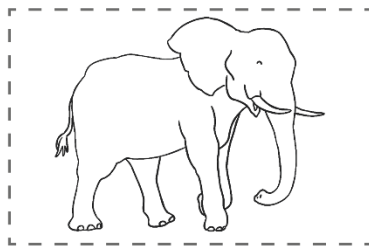
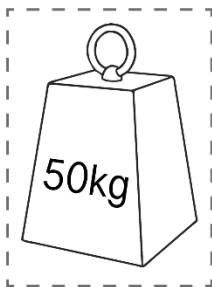
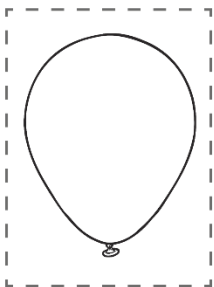
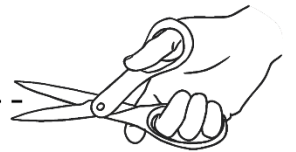
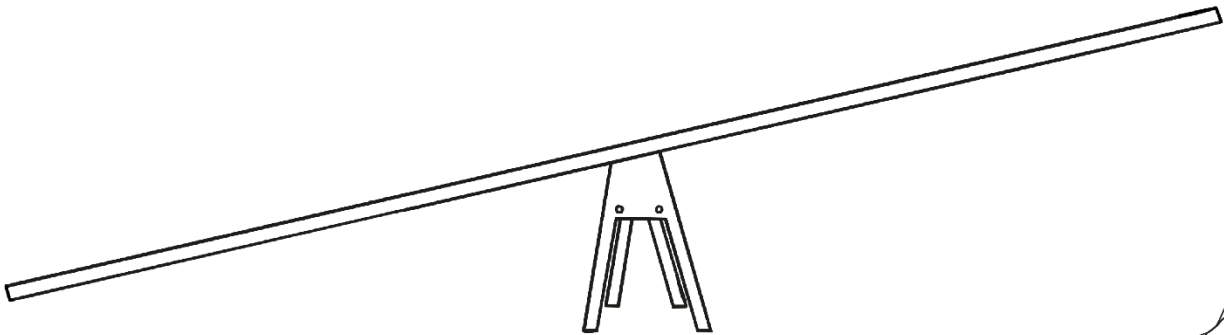
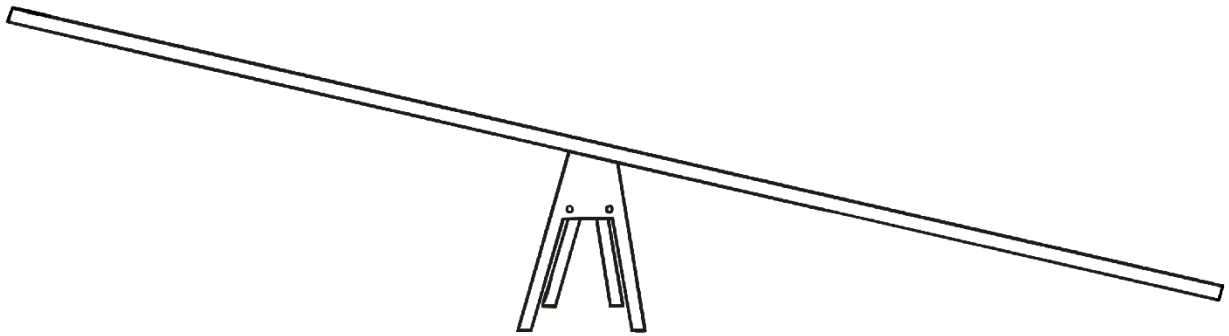
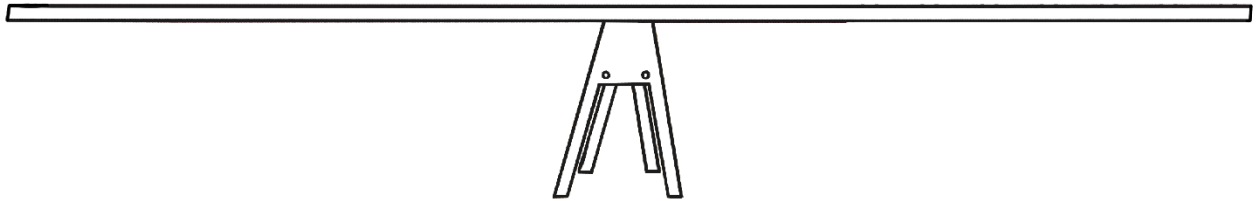


Complete the Scales

Cut out the heavy and light objects and glue them on the correct side of the balance scales to complete the picture.

Trom/Éadrom Heavy/light Níos troime /níos éadroime Heavier/lighter



Complete the Scales Answers

Examples of possible answers:

