



GENUINE REPLACEMENT PARTS



SUSPENSION COMPONENTS
1965-1989

APPLICABLE TO ALL MARKETS

REPLACEMENT SUSPENSION COMPONENTS FOR ROLLS-ROYCE & 1965-



Rolls-Royce

ROLLS-ROYCE						FRONT SUSPENSION COMPONENTS				REAR SUSPENSION COMPONENTS					
MODEL		CHASSIS/VIN NUMBER RANGE		APPROXIMATE PRODUCTION DATES		FRONT DAMPER MOUNTS	FRONT SUBFRAME MOUNTS	FRONT BALL JOINTS AND STABILISER	UPPER & LOWER LEVERS	TRAILING ARM BUSHES	REAR BUMP STOP	HUB BEARINGS	REAR STABILISER BEARINGS & TORSION BAR	CROSS-MEMBER MOUNTS	
SILVER SHADOW Four-Door Saloon (including long wheelbase)		1001	13484	1965	1972	M	—	G H Ia Ic le	A B F	N	0e Od	P	Qa Qc Qi Q	T	
		13485	18224	1972	1974	M	Ja	G H Ia Ic le	A B F	N	0e Od	P	Qa Qc Qi Q	T	
		18225	26700	1974	1977	M	Ja	G H Ia Ic le	A B Da Dc	N	0e Od	P	Qa Qc Qi Q	T	
	Two-Door Saloon		1067	2269	1965	1966	M	—	G H Ia Ic le	A B F	N	0e Od	P	Qa Qc Qi Q	T
	James Young Mulliner Park Ward Drophead Coupe		1148	9767	1966	1971	M	—	G H Ia Ic le	A B F	N	0e Od	P	Qa Qc Qi Q	T
		1698	9769	1967	1971	M	—	G H Ia Ic le	A B F	N	0e Od	P	Qa Qc Qi Q	T	
CORNICHE Convertible		9919	12733	1971	1971	M	—	G H Ia Ic le	A B F	N	0e Od	P	Qa Qc Qi Q	T	
		12734	18562	1971	1974	M	Ja	G H Ia Ic le	A B F	N	0e Od	P	Qa Qc Qi Q	T	
		18563	26705	1974	1977	M	Ja	G H Ia Ic le	A B Da Dc	N	0e Od	P	Qa Qc Qi Q	T	
		30003	35878	1977	1979	M	Ja	G H Ia Ic le	A B Db Dd	N	0e Od	P	Qa Qc Qi Q	T	
		50003	50757	1979	1980	M	Ja	G H Ia Ic le	A B Db Dd	N	0e Od	P	Qa Qd Qj Q	S S1	
		01524	05036	1980	1981	M	Ja	G H Ia Ic If Ig	A B Db Dd	N	0a Ob Oc	P	Qa Qf Qk Q	S S1	
		05037	16968	1981	1987	M	Ja	G H Ia Ic le	A B Db Dd	N	0a Ob Oc	P	Qa Qf Qk Q	S S1	
	Two-Door Saloon		9970	12733	1971	1971	M	—	G H Ia Ic le	A B F	N	0e Od	P	Qa Qc Qi Q	T
		12734	18562	1971	1974	M	Ja	G H Ia Ic le	A B F	N	0e Od	P	Qa Qc Qi Q	T	
		18563	26705	1974	1977	M	Ja	G H Ia Ic le	A B Da Dc	N	0e Od	P	Qa Qc Qi Q	T	
	30011	35807	1977	1979	M	Ja	G H Ia Ic le	A B Db Dd	N	0e Od	P	Qa Qc Qi Q	T		
	50004	50694	1979	1980	M	Ja	G H Ia Ic le	A B Db Dd	N	0e Od	P	Qa Qd Qj Q	S S1		
CAMARGUE		14674	26708	1975	1976	M	Ja	G H Ia Ic le	A B Da Dc	N	0e Od	P	Qa Qh Qi Q	T	
		30015	50000	1977	1979	M	Ja	G H Ia Ic le	A B Db Dd	N	0e Od	P	Qa Qh Qi Q	T	
		50001	10414	1979	1986	M	Ja	G H Ia Ic le	A B Db Dd	N	0e Od	P	Qa Qh Qi Q	S S1	
SILVER SHADOW II		30001	41648	1977	1980	M	Ja	G H Ia Ic le	A B Db Dd	N	0e Od	P	Qa Qc Qi Q	T	
SILVER WRAITH II		30084	41648	1977	1980	M	Ja	G H Ia Ic le	A B Db Dd	N	0e Od	P	Qa Qc Qi Q	T	
SILVER SPIRIT		01001	02965	1980	1981	M	Ja	G H Ia Ic le	A B Ea Ec	N	0a Ob Oc	P	Qa Qe Qi Q	S S1	
		02966	03693	1981	1981	M	Ja	G H Ia Ic If Ig	A B Ea Ec	N	0a Ob Oc	P	Qa Qe Qi Q	S S1	
		03694	04701	1981	1982	M	Jb K L	G H Ia Ic If Ig	A B Ea Ec	N	0a Ob Oc	P	Qa Qe Qi Q	S S1	
		04702	13859	1982	1985	M	Jb K L	G H Ia Ic If Ig	C Ea Ec	N	0a Ob Oc	P	Qa Qe Qi Q	S S1	
	O/T Nam Nam only	13860	16930	1985	1986	M	Jb K L	G H Ia Ic If Ig	C Ea Ec	N	0a Ob Oc	P	Qa Qf Qk Q	S S1	
		13860	16930	1985	1986	M	Jb K L	G H Ia Ic If Ig	C Ea Ec	N	0a Ob Oc	P	Qa Qe Qi Q	S S1	
		20003	23962	1987	1988	M	Jb K L	G H Ia Ic If Ig	C Ea Ec	N	0a Ob Oc	P	Qa Qf Qk Q R	S S2	
		23962	27798	1988	1989	M	Jb K L	G H Ia Ic If Ig	C Ea Ec	N	0a Ob Oc	P	Qa Qf Qk Q R	S S2	
SILVER SPUR		01006	02971	1980	1981	M	Ja	G H Ia Ic le	A B Ea Ec	N	0a Ob Oc	P	Qa Qe Qi Q	S S1	
		02972	03715	1981	1981	M	Ja	G H Ia Ic If Ig	A B Ea Ec	N	0a Ob Oc	P	Qa Qe Qi Q	S S1	
		03716	04845	1981	1982	M	Jb K L	G H Ia Ic If Ig	A B Ea Ec	N	0a Ob Oc	P	Qa Qe Qi Q	S S1	
		04846	13871	1982	1985	M	Jb K L	G H Ia Ic If Ig	C Ea Ec	N	0a Ob Oc	P	Qa Qe Qi Q	S S1	
	O/T Nam Nam only	13872	16970	1985	1986	M	Jb K L	G H Ia Ic If Ig	C Ea Ec	N	0a Ob Oc	P	Qa Qf Qk Q	S S1	
		13872	16970	1985	1986	M	Jb K L	G H Ia Ic If Ig	C Ea Ec	N	0a Ob Oc	P	Qa Qe Qi Q	S S1	
		20004	23961	1987	1988	M	Jb K L	G H Ia Ic If Ig	C Ea Ec	N	0a Ob Oc	P	Qa Qe Qk Q R	S S2	
		23962	27780	1988	1989	M	Jb K L	G H Ia Ic If Ig	C Ea Ec	N	0a Ob Oc	P	Qa Qe Qk Q R	S S2	
	CORNICHE II		20010	29289	1980	1989	M	Ja	G H Ia Ic If Ig	A B Ea Ec	N	0a Ob Oc	P	Qa Qf Qk Q R	S S1

NSION COMPONENTS

BENTLEY MOTOR CARS

-1989



Bentley																		
MODEL		CHASSIS/VIN NUMBER RANGE				APPROXIMATE PRODUCTION DATES				FRONT SUSPENSION COMPONENTS				REAR SUSPENSION COMPONENTS				
										FRONT DAMPER MOUNTS	FRONT SUBFRAME MOUNTS	FRONT BALL JOINTS AND STABILISER	UPPER & LOWER LEVERS	TRAILING ARM BUSHES	REAR BUMP STOP	HUB BEARINGS	REAR STABILISER BEARINGS & TORSION BAR	CROSS-MEMBER MOUNTS
T SERIES																		
Four-Door Saloon (including long wheelbase)		1001	13484	1965	1972	M	/	G H Ia Ic le	A B F	N	Oe Od	P	Qa Qc Qi Q	T				
		13485	18224	1972	1974	M	Ja	G H Ia Ic le	A B F	N	Oe Od	P	Qa Qc Qi Q	T				
		18225	26700	1974	1977	M	Ja	G H Ia Ic le	A B Da Dc	N	Oe Od	P	Qa Qc Qi Q	T				
Two-Door Saloon																		
James Young Mulliner		1342	2278	1965	1966	M	/	G H Ia Ic le	A B F	N	Oe Od	P	Qa Qc Qi Q	T				
Park Ward		1149	9766	1966	1971	M	/	G H Ia Ic le	A B F	N	Oe Od	P	Qa Qc Qi Q	T				
Drophead Coupe		3049	9539	1967	1971	M	/	G H Ia Ic le	A B F	N	Oe Od	P	Qa Qc Qi Q	T				
CORNICHE																		
Convertible		9919	12733	1971	1971	M	/	G H Ia Ic le	A B F	N	Oe Od	P	Qa Qc Qi Q	T				
		12734	18563	1971	1974	M	Ja	G H Ia Ic le	A B F	N	Oe Od	P	Qa Qc Qi Q	T				
		18563	26705	1974	1977	M	Ja	G H Ia Ic le	A B Da Dc	N	Oe Od	P	Qa Qc Qi Q	T				
		30003	35878	1977	1979	M	Ja	G H Ia Ic le	A B Da Dc	N	Oe Od	P	Qa Qc Qi Q	T				
		50003	50757	1979	1980	M	Ja	G H Ia Ic le	A B Db Dd	N	Oe Od	P	Qa Qd Qj Q	S S1				
		01524	05036	1980	1981	M	Ja	G H Ia Ic le	A B Db Dd	N	0a 0b 0c	P	Qa Qf Qk Q	S S1				
		05037	16968	1981	1987	M	Ja	G H I1 I2	A B Db Dd	N	0a 0b 0c	P	Qa Qf Qk Q	S S1				
Two-Door Saloon																		
		9970	12733	1971	1971	M	/	G H Ia Ic le	A B F	N	Oe Od	P	Qa Qc Qi Q	T				
		12734	18562	1971	1974	M	Ja	G H Ia Ic le	A B F	N	Oe Od	P	Qa Qc Qi Q	T				
		18563	26705	1974	1977	M	Ja	G H Ia Ic le	A B Da Dc	N	Oe Od	P	Qa Qc Qi Q	T				
		30011	35807	1977	1979	M	Ja	G H Ia Ic le	A B Db Dd	N	Oe Od	P	Qa Qc Qi Q	T				
		50004	50694	1979	1980	M	Ja	G H Ia Ic le	A B Db Dd	N	Oe Od	P	Qa Qd Qj Q	S S1				
T2																		
		30001	41648	1977	1980	M	Ja	G H Ia Ic le	A B Db Dd	N	Oe Od	P	Qa Qc Qi Q	T				
MULSANNE																		
		01009	03693	1980	1981	M	Ja	G H Ia Ic If Ig	A B Ea Ec	N	0a 0b 0c	P	Qa Qe Qi Q	S S1				
		03694	04701	1981	1982	M	Jb K L	G H Ia Ic If Ig	A B Ea Ec	N	0a 0b 0c	P	Qa Qe Qi Q	S S1				
		04702	13785	1982	1985	M	Jb K L	G H Ia Ic If Ig	C Ea Ec	N	0a 0b 0c	P	Qa Qe Qi Q	S S1				
		13878	16930	1985	1987	M	Jb K L	G H Ib Id Ih li	C Ea Ec	N	0a 0b 0c	P	Qb Qg Qi Q	S S1				
MULSANNE TURBO																		
		04233	12474	1982	1985	M	Jb K L	G H Ia Ic If Ig	A B Eb Ed	N	0a 0b 0c	P	Qa Qe Qi Q	S S1				
		12838	14162	1985	1985	M	Jb K L	G H I3	C Eb Ed	N	0a 0b 0c	P	Qa Qe Qi Q	S S1				
EIGHT																		
		08862	12512	1984	1985	M	Jb K L	G H Ia Ic If Ig	A B Ea Ec	N	0a 0b 0c	P	Qa Qe Qi Q	S S1				
		12536	13835	1985	1985	M	Jb K L	G H Ia Ic If Ig	C Ea Ec	N	0a 0b 0c	P	Qa Qe Qi Q	S S1				
		13876	16954	1985	1986	M	Jb K L	G H Ib Id Ih li	C Ea Ec	N	0a 0b 0c	P	Qb Qg Qi Q	S S1				
		20006	23960	1987	1988	M	Jb K L	G H Ib Id Ih li	C Ea Ec	N	0a 0b 0c	P	Qb Qg Qi Q R	S S1				
		23959	27799	1988	1989	M	Jb K L	G H Ib Id Ih li	C Ea Ec	N	0a 0b 0c	P	Qb Qg Qi Q R	S S1				
MULSANNE S																		
		20013	23958	1987	1988	M	Jb K L	G H Ib Id Ih li	C Ea Ec	N	0a 0b 0c	P	Qb Qg Qi Q R	S S1				
		23959	27798	1988	1989	M	Jb K L	G H Ib Id Ih li	C Ea Ec	N	0a 0b 0c	P	Qb Qg Qi Q R	S S1				
TURBO R																		
		12834	16570	1985	1986	M	Jb K L	G H Ib Id Ih li	C Eb Ed	N	0a 0b 0c	P	Qb Qg Qi Q	S S1				
		20001	27793	1987	1989	M	Jb K L	G H Ib Id Ih li	C Eb Ed	N	0a 0b 0c	P	Qb Qg Qi Q R	S S1				
CONTINENTAL																		
		20010	29289	1985	1989	M	Ja	G H Ia Ic If Ig	A B Ea Ec	N	0a 0b 0c	P	Qa Qf Qk Q R	S S1				

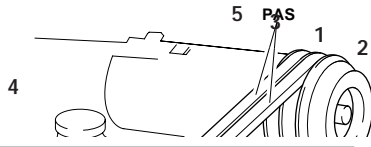
O/T - Other than North America

NAm - North America Only

Front

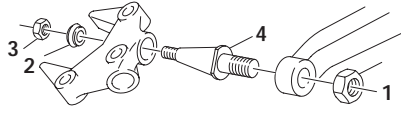
A

1. UR11566 SLEEVE
2. UA304Z NUT
3. UR17155 METALASTIC WASHER
4. UA308Z NUT
5. UR10490 BEARING PIN FRONT LEVER



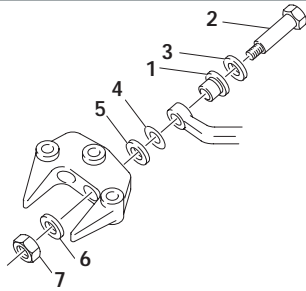
B

1. UA308Z NUT
2. UR17155 METALASTIC WASHER
3. UA304Z NUT
4. UR10489 BEARING PIN FRONT SUSPENSION



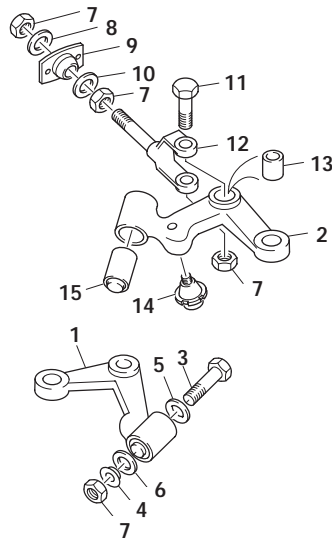
C

1. SPM1534 PIVOT BUSH
2. SPC2988 CLAMPING BOLT
3. SPM1540 WASHER
4. SPM1542 WASHER SHIM
5. SPM1541 WASHER
6. UA6111ZP WASHER
7. UA305ZP NUT



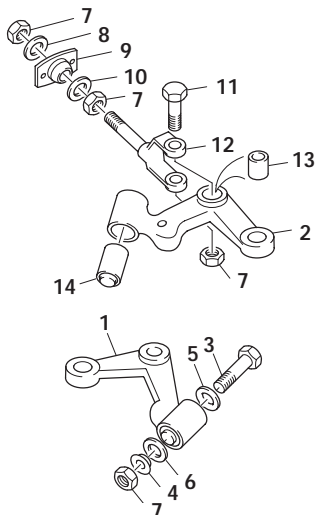
D

- a 1. UR17400 ASSEMBLY LEVER RH
- b 1. UR19944 ASSEMBLY LEVER RH
- c 2. UR17401 ASSEMBLY LEVER LH
- d 2. UR19943 ASSEMBLY LEVER LH
3. UR16204 BOLT
4. UR22898 WASHER
5. UR16207 WASHER
6. UR17972 WASHER
7. UA356ZP NUT
8. UR17445 WASHER
9. UR72000 COMPLIANCE MOUNT (must be replaced in pairs)
10. UR17304 WASHER
11. UR14987 RETAINING BOLT
12. UR17444 ROD
13. UR15966 BUSH LEVER
14. UR16198 STOP
15. UR71238 UPPER LEVER BUSH



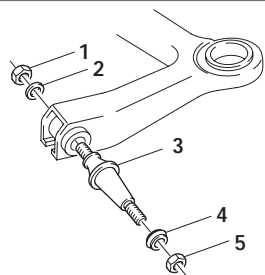
E

- a 1. UR21756 ASSEMBLY LEVER RH
- b 1. UR71268 ASSEMBLY LEVER RH
- c 2. UR21755 ASSEMBLY LEVER LH
- d 2. UR71269 ASSEMBLY LEVER LH
3. UR16204 BOLT
4. UR22898 WASHER
5. UR16207 WASHER
6. UR17972 WASHER
7. UA356ZP NUT
8. UR17445 WASHER
9. UR72000 COMPLIANCE MOUNT (must be replaced in pairs)
10. UR17304 WASHER
11. UR14987 RETAINING BOLT
12. UR17444 ROD
13. UR15966 BUSH LEVER
14. UR71238 UPPER LEVER BUSH



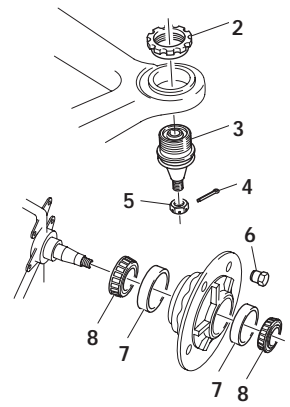
F

1. UA305ZP NUT
2. UA6111ZP WASHER
3. UR13211 BEARING PIN
4. UR17155 METALASTIC WASHER
5. UA304ZP NUT



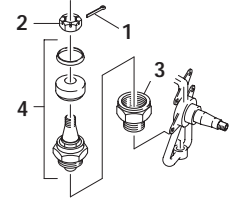
G

2. UR14595 CASTILLATED NUT
3. UR73257 ASSEMBLY BALL JOINT
4. UA10133ss SPLIT PIN
5. UA456ZP NUT
6. UG4454 WHEEL NUT RH
6. UG4455 WHEEL NUT LH
7. UG13553 CUP BEARING INNER
7. UG13545 CUP BEARING OUTER
8. UG13552 CONE BEARING INNER
8. UG13544 CONE BEARING OUTER



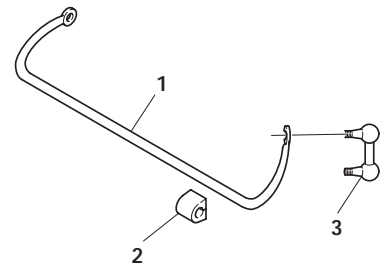
H

1. UA10133ss SPLIT PIN
2. UA456ZP NUT
3. UR17368 ADAPTOR
4. UR73256 BALL JOINT LOWER



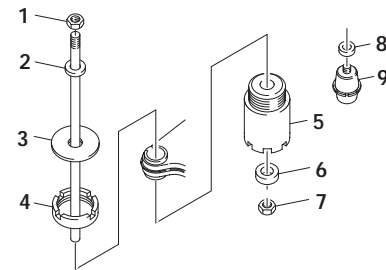
I

- a 1. UR15403 ANTI ROLL BAR FRONT
- b 1. UR27110 ANTI ROLL BAR FRONT
- c 2. UR15520 BEARING
- d 2. UR73541 BEARING
- e 3. UR13778 LINK BOLT
- f 3. UR21725 LINK BOLT LH
- g 3. UR21726 LINK BOLT RH
- h 3. UR27358 LINK BOLT RH
- i 3. UR27359 LINK BOLT LH



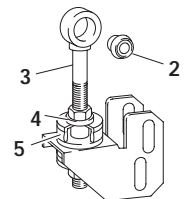
J

1. UR15298 ASSEMBLY STUD
2. UA6111ZP WASHER
3. UR14375 WASHER
4. UR17829 NUT
- a 5. UR21446 ASSEMBLY MOUNT SUBFRAME
- b 5. UR23133 ASSEMBLY MOUNT SUBFRAME
6. UR17826 SPACER
7. UA305ZP NUT
8. SPC2392 WASHER
9. UR15063 ASSY. BUMP STOP



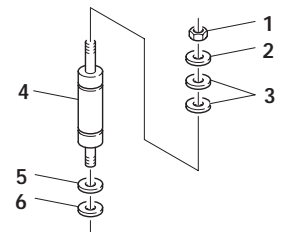
K

2. UR22879 METALASTIC BUSH
3. UR23171 ASSEMBLY TIE BAR
4. SPC1585 WASHER
5. UR23150 WASHER



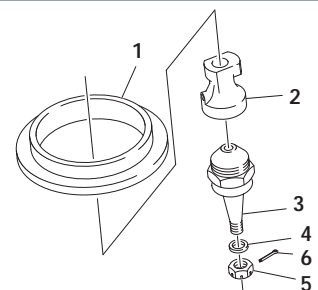
L

1. SPC2972 LOCKNUT
2. SPC2970 CUP WASHER TOP
3. SPC2963 TOP RUBBER
4. UR23087 DAMPER STABILUS
5. SPC2971 CUP WASHER BOTTOM
6. SPC2964 BOTTOM RUBBER



M

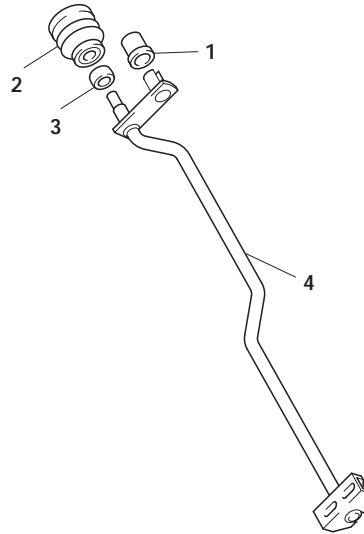
1. UR15278 SEATING
2. UR14734 BALL HOUSING
3. UR73258 BALL JOINT DAMPER
4. UA6111ZP WASHER
5. UA455Z SLOTTED NUT
6. UA10122ss SPLIT PIN



Rear

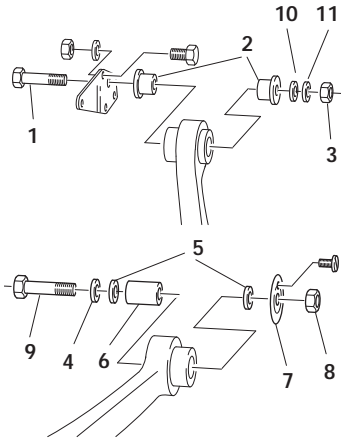
R

1. UR27654 DUST COVER
2. UR27653 DUST COVER
3. UR27652 BEARING
4. UR71217 TORSION BAR



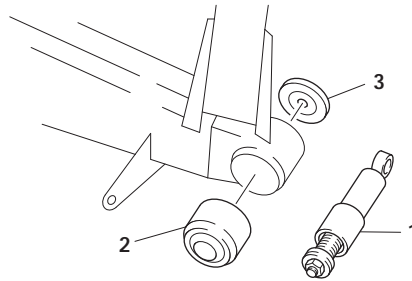
N

1. UR1271 BOLT
2. UR10458 METALASTIC BUSH
3. UA305Z NUT
4. UA6111Z WASHER
5. UR16143 WASHER
6. UR71918 METALASTIC BUSH
7. UR10441 GUIDE PLATE
8. UA305Z NUT
9. UR10436 BOLT
10. UR10530 WASHER
11. UA1255Z WASHER



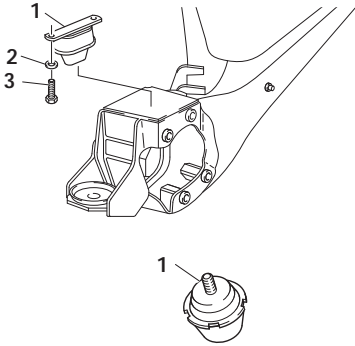
S

1. UR73254 DAMPER CROSSMEMBER
2. UR23318 RUBBER MOUNT
2. UR70531 RUBBER MOUNT
3. SPC2283 WASHER



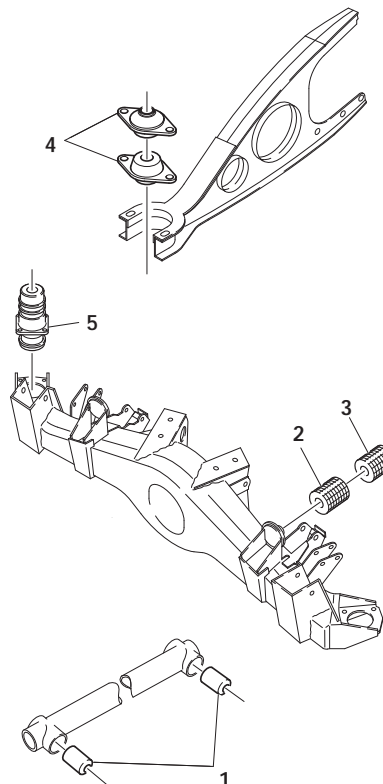
O

- a 1. UR19489 BUMP STOP
- b 2. UA1252Z WASHER
- c 3. UA152Z BOLT
- d 1. UR15063 BUMP STOP
- e 1. UR15049 BUMP STOP cars with heavy suspension



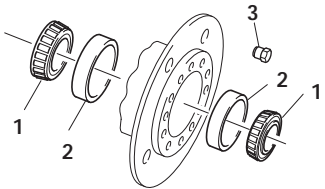
T

1. UR13088 BUSH CROSSMEMBER LINK
2. UR14397 ASSEMBLY CUSHION 2.228" LONG
3. UR14398 ASSEMBLY CUSHION 2.600" LONG
4. UR13780 MOUNT TORQUE ARM
5. UR14165 ASSEMBLY CUSHION



P

1. UG13562 CONE BEARING OUTER
2. UG13563 CUP BEARING OUTER
1. UG13564 CONE BEARING INNER
2. UG13565 CUP BEARING INNER
3. UG4454 WHEEL NUT RH
3. UG4455 WHEEL NUT LH



Q

- a 1. UR13778 LINK BRACKET
- b 1. UR27357 LINK BOLT
- c 2. UR14886 ANTI ROLL BAR
- d 2. UR19412 ANTI ROLL BAR
- e 2. UR21852 ANTI ROLL BAR
- f 2. UR27524 ANTI ROLL BAR
- g 2. UR27171 ANTI ROLL BAR
- h 2. UR17750 ANTI ROLL BAR
- i 3. UR15683 BEARING
- j 3. UR21735 BEARING
- k 3. UR27539 BEARING
- l 3. UR27265 BEARING
4. UR15570 NUT
5. UA304Z NUT
6. UA1254Z WASHER

