



Medical Professionals
Recommended
VITAL INJECTOR 2™

Surprisingly Vital

Introducing the All-Renewed
Rejuvenating Injector

Contents

- 1) What is Vital2 Injector?
- 2) Device Feature
- 3) Usage
- 4) Technology
- 5) Feature & Advantage
- 6) Why Vital Injector2?
- 7) Summary
- 8) Appendix – Treatment Tip

1. What is Vital Injector2?

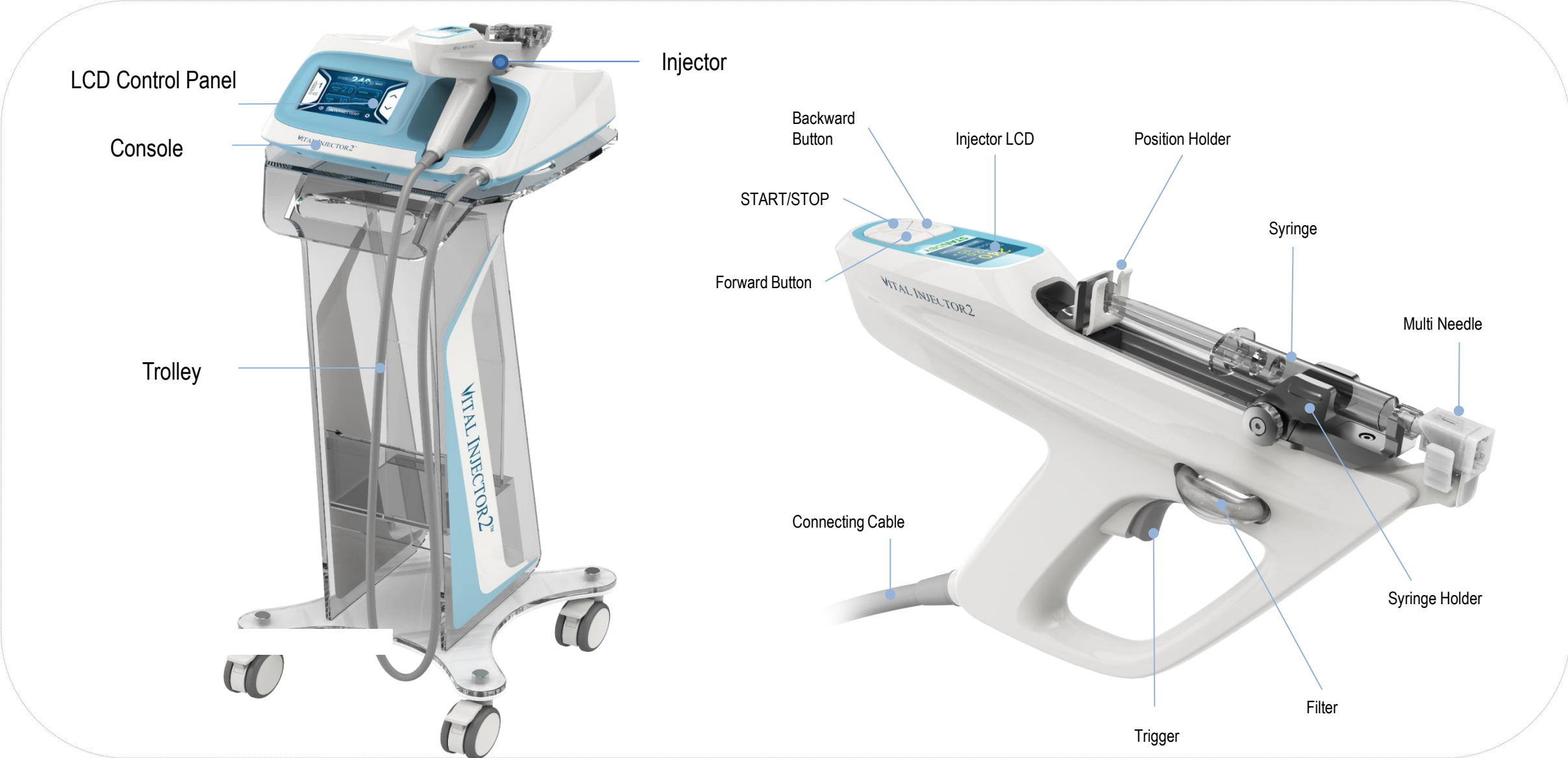
Enter the Vitality – A grandeur initiative we all share in search of precise and accurate beauty care for the people.



Vital Injector2 is a multi-use injector with a capacity of loading interchangeable 1cc ~ 5cc syringes that is versatile to various medical use.

The unique mechanism inside the device allows it to repeatedly deliver low to high viscous formulations in small yet highly accurate dosages.

2. Device Feature – Main Console



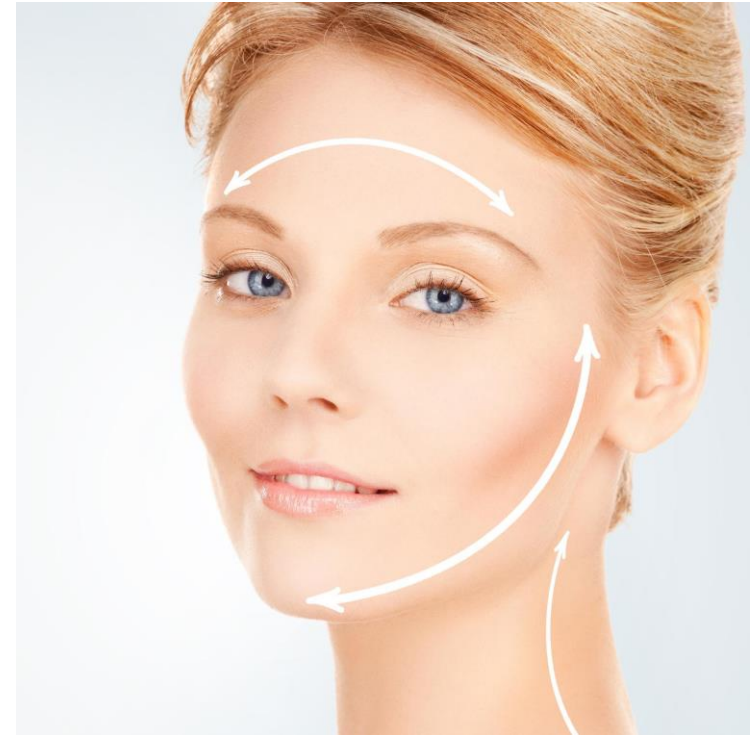
3. Usage

Vital Injector2 is developed to assist in the delivery of stabilized hyaluronic acid filler to restore hydrobalance in the skin and improve skin elasticity and tone to create a revitalized look.

Healthcare professional recommended skin care science that leverages proven formulation at full capacity.

Improves

- Hydration
- Elasticity
- Roughness
- Smoothness
- Complexion
- Texture



4. Technology Inside - Filter

Advanced capabilities.

Now, Featuring with Detachable Hygienic- Filter Technology

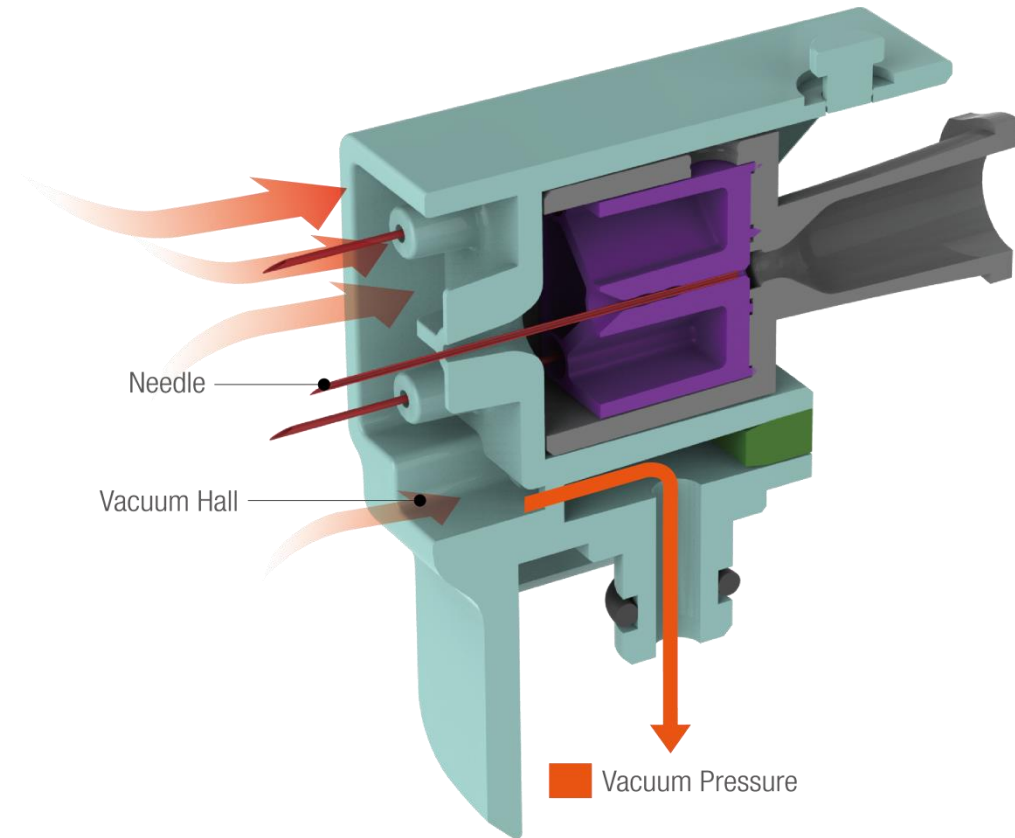
Built with advanced hygienic-centric technologies inside, this small but highly capable item effectively protect the system to use it safer and cleaner – help you make reliable, confident treatment



4. Technology Inside - Needle

Incorporating the latest technology - vacuum assisted needle.

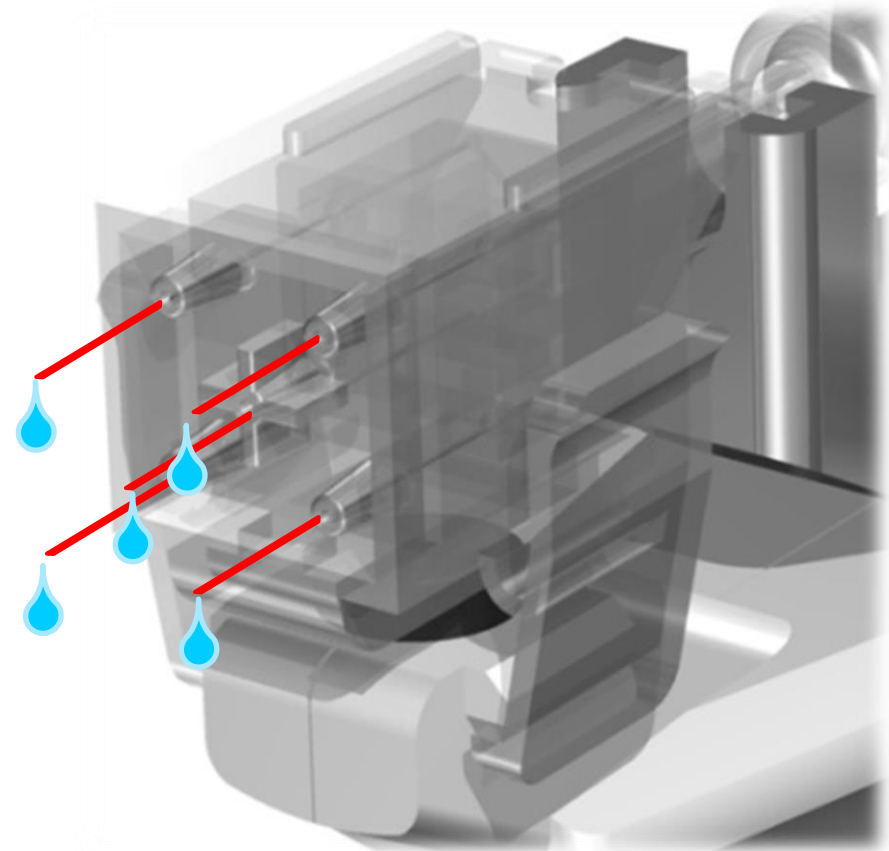
- Pressure release-needle enables to inject all needles beneath skin and subcutaneous tissue – minimize drug loss.
- Patented Backflow Block Structure, effectively prevents from the contamination out of drug and blood.



4. Technology Inside - Needle

Newly engineered needle delivers all the essential functionality to meet the clinical needs.

- Controlled depth adjustment, from 0mm to 5mm at 0.2mm interval, delivers customized treatment to accurately target sub dermis where most of collagen and elastin exists.
- 31G, 5 Pin multi needle provides dynamically faster treatment.



4. Technology Inside - Others

Engineered for operational efficiency - Easy to use and maintain

- User-friendly interface simplifies and speeds operation.
- Various sizes of syringes are applicable (1 to 5cc) to select from.
- Variety of viscosity formulations is allowed.
- Convenient audible alarm signal – activation initiated when drug within the syringe is almost used up



5. Feature & Advantage of Vital Injector2

- Ergonomic & Innovative design for increased working comfort and hand support.
- Accurate & Precise Injection
- Audible, Visual & Tactile Feedback
- Delivers small dosages
- Even distribution of volume over large skin areas for predictable treatment results
- Easy treatment of versatile areas such as the face, neck, décolletage and hands.
- Accommodates High Viscosity



6. Why you need Vital Injector2?

The new level of drug-delivery injection system which will be your cornerstone for the future.

Help support your business confidence, too.

Buying Vital Injector2 represents a smart and strategic investment for the clinic so that you can gain a strong competitive differentiator.

- Engineered with unparalleled hygiene-centric system – detachable single-use filter
- Praised for accurately adjusted depth control, powered by vacuum assisted technology.
- Reduced drug-loss during injection procedure.
- Acknowledged patented Backflow Block Structure system.

7. Specification

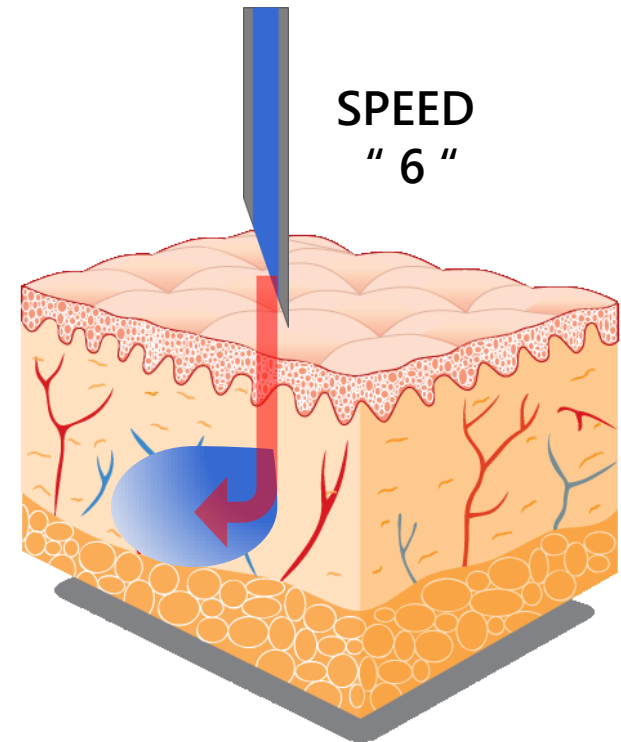
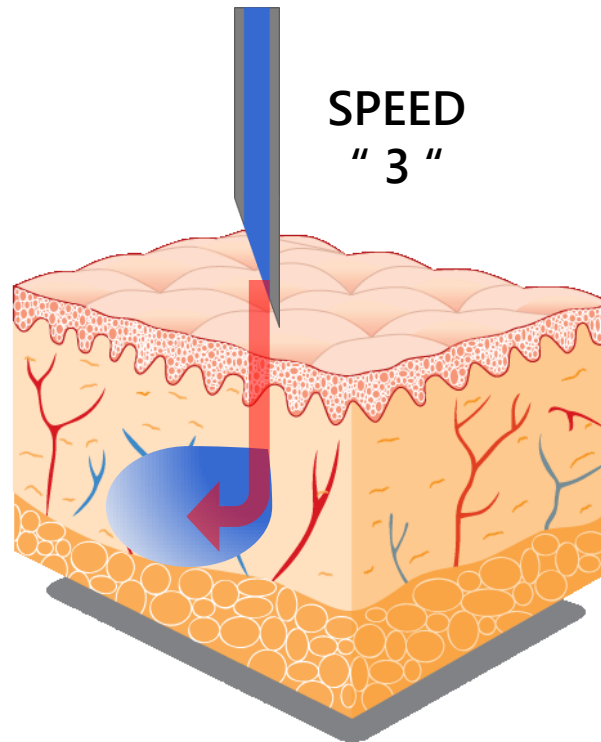
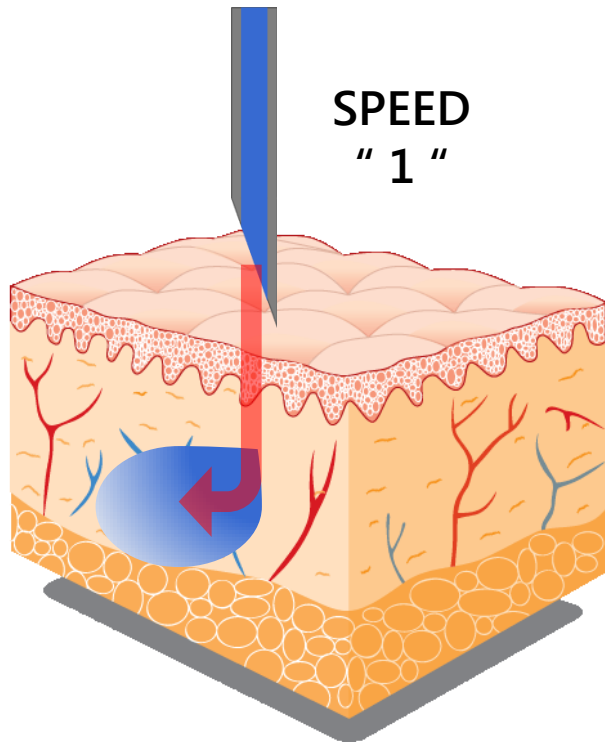
Device Type	Auto Injector
Needle Information	31 G, 5Pin Multi Needle Type
Needle Extension	0~5 mm(Interval 0.2mm)
Syringe Dosage	1cc, 2cc, 3cc, 5cc
Needle Attachment	Manually Attached
Needle Insertion	Manual
Needle Removal	Manual
Operation Mode	Intermittent, Continuous
Activation	Button(Triiger) Activated

Voltage & Frequency	AC 110 ~ 240V, 50~60 Hz
Dimension (WxDxH mm)	Injector : 293 x 49 x 168 Body : 333 x 298 x 130
Panel	Gun LCD : 1.7 Inch Body LCD : 5.0 Inch, Touch Screen
Weight	4.7 Kg (Body + Injector)

Appendix

Clinical Treatment

Adjustable time to Speed



Drug dosage per type of syringes

Intermittent Mode [Preset : 10 µl]

Type	Dose	Available Shot	Dose	Available Shot
Based on 1 cc Syringe	5 µl (1.0µl/pin)	200	12 µl (2.4µl/pin)	83
	6 µl (1.2µl/pin)	167	13 µl (2.6µl/pin)	77
	7 µl (1.4µl/pin)	143	14 µl (2.8µl/pin)	72
	8 µl (1.6µl/pin)	125	15 µl (3.0µl/pin)	67
	9 µl (1.8µl/pin)	111	20 µl (4.0µl/pin)	50
	10 µl (2.0µl/pin)	100	25 µl (5.0µl/pin)	40
	11 µl (2.2µl/pin)	90	30 µl (6.0µl/pin)	33

Continuous Mode [Preset : 1 cc/min]

Type	Dose
1 cc	1 cc/min , 2 cc/min, 3 cc/min
2 cc	1 cc/min , 3 cc/min, 5 cc/min
3 cc	
5 cc	

Vital Injector2 Application on the face

