

Motor Type	Motor Model No.	Power (Watts)	Voltage (Volts)	Nominal Torque (Nm)	Nominal Speed (rpm)	No. of wire	Max. number of turns in one direction	Rated current (amps)	Running time before thermal protector trips (min)	Thermal protector tripping temperature	Protection index	Noise level (dBA)
400	420	115	220	3	28	4	39	0.5	4	140°C	IP44	49

Roll Diameter

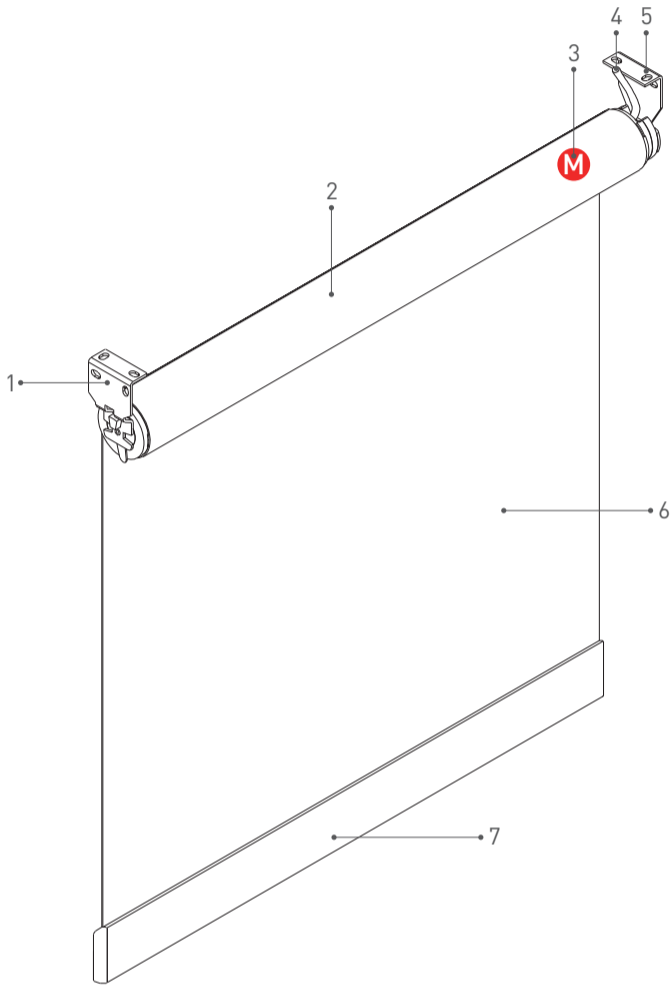
R \ H	100-1000	1010-2000	2010-3000	3010-4000	4010-5000
Maximum(mm)	58	72	90	93	108
Minimum(mm)	42	45	50	55	60

Limitation

	Minimum	Maximum	Maximum Area(m ²)
Width(mm)	600	2500	10
Height(mm)	600	4000	

R:Roll Up Diameter
H:Blind Height
M:Motor Side

Y max=51.5+R/2
D=R+40
W:Blind Width
H:Blind Height



PARTS

1	Idle End Bracket
2	Tube
3	Motor
4	Motor Cable
5	Motor Bracket
6	Fabric
7	S258B Weight Bar

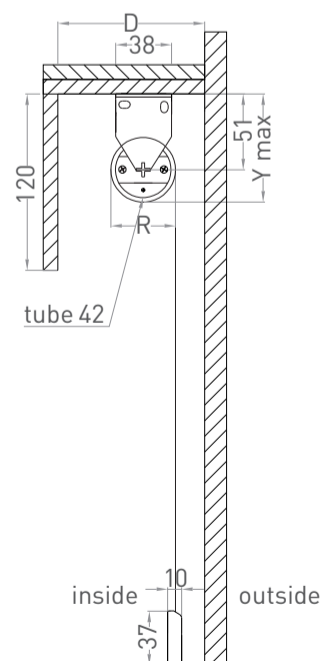
Note:

Do not recommend installation on gypsum board directly, and suggested to install on double layer plywood (15mm each) or concrete ceiling.

ELEVATION VIEW



SECTION VIEW



PLAN VIEW

