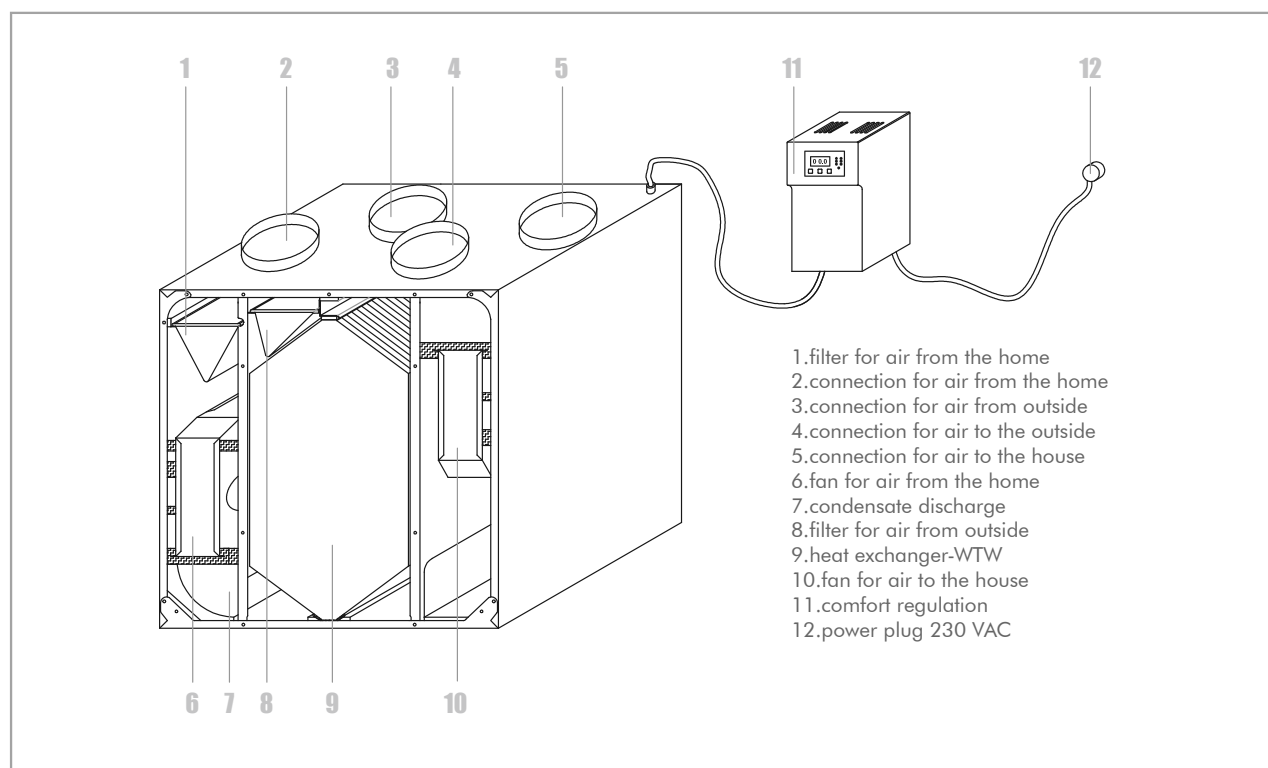


FRESH AIR UNIT SWVEN300CBM



SPECIFICATION

SWVEN300CBM	
<i>Air specifications</i>	
Air flow	25-325m ³ (0-220 Pa)
Head	Adjustable
Ministry	3-way switch (15V DC voltage control)
Fans control	1,6-10 V DC linear regulated voltage control
Balancing a fan	Each state individually linear inregelbaar
Position 1	1,6V – 6,8V DC
Position 2	2,8V – 7,2V DC
Position 3	5,1V – 10,0 V DC
Filter Class	EU-3
Filter surface air	1001 cm ²
Filter area indoor	1001 cm ²
<i>Thermal specifications:</i>	
Thermal efficiency	> 95,8%
Frost protection active	< - 20° Celcius
<i>Technical specifications:</i>	
Dimensions with bypass (H x w x d)	640 x 640 x 460 mm
Dimensions without bypass (H x w x d)	640 x 640 x 380 mm
Weight without / with bypass	42 kg/ 46 kg
Connections on device	Ø 150 mm rings above board
Material heat exchanger	Aluminium
Noise (1m)	48 dB(A)
<i>Electrical specifications:</i>	
Electrical connection	230V AC + / - 10%; 50Hz
Power consumption	20W t / m 165W
Fuse	2 A slow
Safety class	IP40
Fans	Ø 175 mm 48V DC



DIMENSIONES(mm)

