

POWERFUL.  
ENERGY-EFFICIENT.  
SUSTAINABLE.



## PERFORMANCE DATA

ADSORPTION CHILLER AGGREGATES  
SYSTEM COMPONENTS

# Overview

Adsorption Chiller Aggregate eCoo 2.0	02
Adsorption Chiller Aggregate eZea	11
Recooler eRec 10 - 80	21
with spray system 10 - 40 WW	25
Recooler eRec-POWER 10 - 80	27
with spray system 10 - 40 WW	31
Recooler eRis 10 - 80	33
with spray system 10 - 40 WW	37
Recooler eRis-POWER 10 - 80	39
with spray system 10 - 40 WW	43
System Separation	45

# Adsorption Chiller Aggregates eCoo 2.0 | eZea

Energy-efficient cooling and heating, thanks to SorTech

Advantages at a glance:

- » Up to 90% reduction in power requirements when compared with electrical chiller units
- » Reliable dimensioning due to simple assembly and flexible operation
- » Variable control technology ensures maximal energy efficiency
- » Ideal for use in combination with CHPs, industrial waste heat, solar thermal plants and district heating

- » Interconnecting several aggregates
- » Operation as heat pump to support heating activities
- » Reduce CO2 emission
- » Clean Technology, non toxic substances such as silica gel and zeolite
- » Water as the refrigerant
- » No refrigeration technician's license required

## Key characteristics

Type/Application range	eCoo 2.0	eZea
Hot water temperature	50 - 95 °C	75 - 95 °C
Recooling water temperature	22 - 40 °C	22 - 45 °C
Chilled water temperature	8 - 21 °C	8 - 21 °C
Dimensions WxDxH	800 x 620 x 1.732 mm	670 x 560 x 1.652 mm

Type/Application range	eCoo 2.0	eZea
Refrigeration power	up to 16 kW	up to 13 kW
Heating capacity	up to 50 kW	up to 40 kW
COP therm.	max. 0,65	max. 0,53



Figure: eZea - front view

# Adsorption Chiller Aggregate eCoo 2.0

Energy-efficient cooling and heating, thanks to SorTech

Technical specifications eCoo 2.0 | 10 IPS

Application range	
Hot water temperature	50 – 95 °C
Recooling water temperature	22 - 40 °C
Chilled water temperature	8 - 21 °C
Heating water temperature	free heating: 25 - 70 °C
Recooling water temperature	free cooling: min. 5 °C

Basic performance data	
Refrigeration power	up to 16 kW
Heating capacity	up to 50 kW
COP therm.	max. 0.65

Dimensions	
WxDxH	800 x 620 x 1,732 mm
Floor space required	0.5 m <sup>2</sup>

Power drawn / power connection	
Without pump group	6 W (avg.)
At pressure loss eCoo 2.0	120 - 260 W
At claiming the max. lift of pump	618 - 684 W
Power supply	230 V, 50/60 Hz

Operational weight	
Unladen weight	approx. 357 kg*

\* With pump group and casing.

Hot water circuit	
Volume flow	1,600 - 2,500 l/h
Pressure loss eCoo 2.0	120 - 280 mbar
Max. additional lift of pump	725 - 464 mbar
Max. operating pressure	4 bar
Connection - external thread	1 ¼"

Heat rejection circuit / Heating water circuit	
Volume flow	4,100 - 5,100 l/h
Pressure loss eCoo 2.0	275 - 420 mbar
Max. additional lift of pump	925 - 690 mbar
Max. operating pressure	4 bar
Connection - external thread	1 ½"

Chilled water circuit	
Volume flow	2,000 - 2,900 l/h
Pressure loss eCoo 2.0	280 - 570 mbar
Max. additional lift of pump	920 - 630 mbar
Max. operating pressure	4 bar
Connection - external thread	1 ¾"

## Optional accessories

### Interface adapter – VBus®LAN

Network connection for the refrigeration unit. Access to equipment data from the entire network. Remote parameterization of the unit and Data acquisition via VBus®.

### Data logger

Data acquisition and/or parameterization for up to 6 refrigeration units. BAC-Net functionality (data transmission and reception in accordance with BAC-Net). Data can be read out using the integrated Web interface.

### System separation

For integrating a recooling solution and/or for operating the recooling circuit at ambient temperatures <0°C.

### App for mobile devices VBus®Touch

In conjunction with VBus®LAN. Detailed temperature data can be queried. Values for the energy balance can be displayed. Survey of the system status.

### Voltage transformer

For utilizing alternative line voltages and/or frequencies.

### Sensors

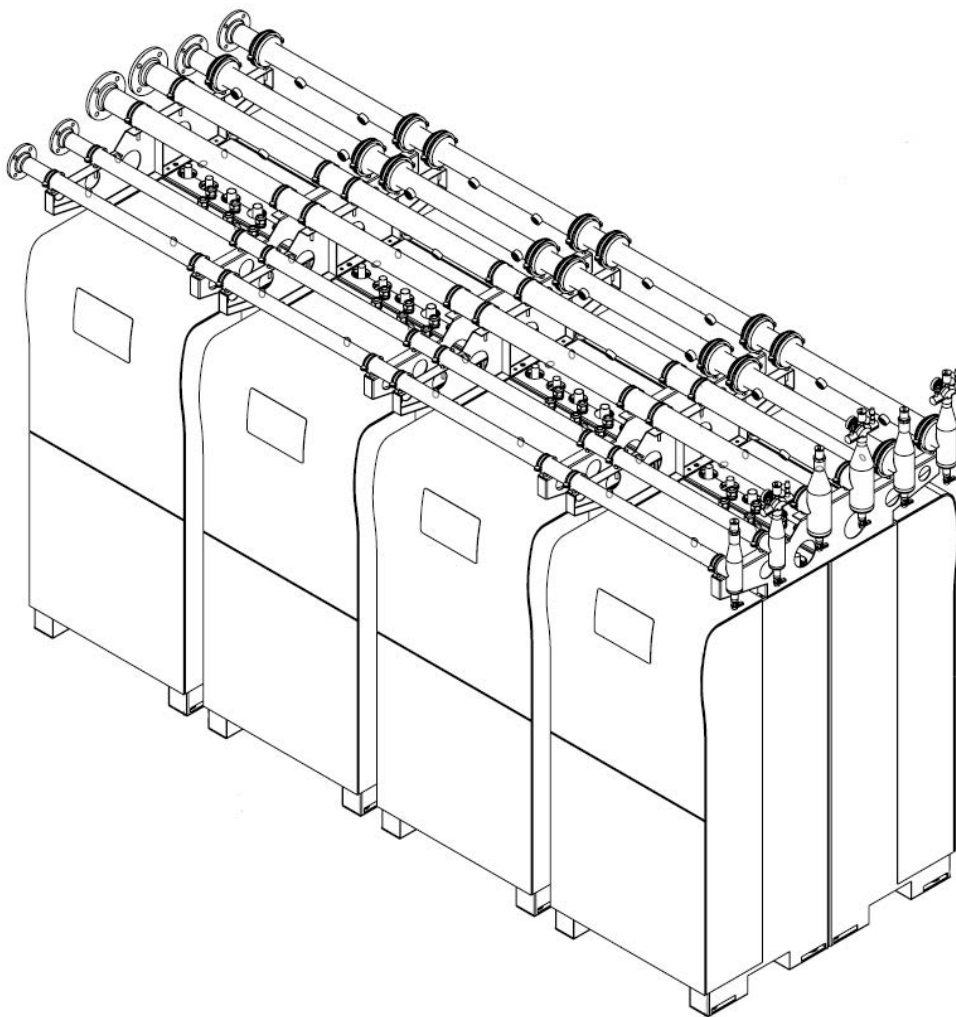
Different types of sensors for determining water, room and outside air temperatures.

For further information please consult our price and delivery data.

# eCoo 2.0 Cascading - More eCoo leads to higher output!

Energy-efficient cooling and heating, thanks to SorTech

- Interconnection kit for the hydraulic connection of several eCoo 2.0 adsorption chiller aggregates to scale performance and to simplify systems integration.
- Assembly consoles inclusive fittings to mount adsorption chiller aggregates and to attach connection pipes.
- Ready-made, labeled and insulated flexible hoses to attach the connection pipes to the adsorption chiller aggregates eCoo 2.0
- Simple connectivity of flexible hoses
- Includes safety groups and fill valves
- Start-up/cut-off via potential-free contact (e.g. in connection with building control system (GLT), external controls, thermostat)
- Customer specific design possible (e.g. speed-controlled pumps etc.)
- Various re cooler solutions available



Configuration sample:  
cascading connection comprised of eight eCoo 2.0  
aggregates with controller, integrated pump group and casing.

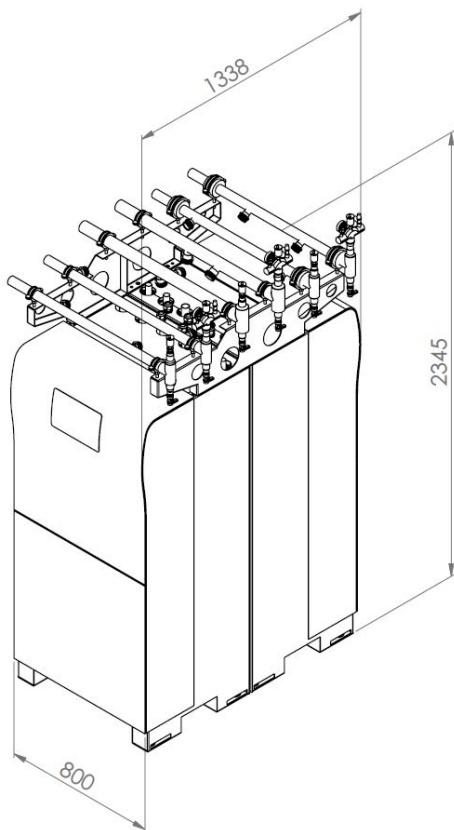
# Adsorption Chiller Aggregate eCoo 2.0

Energy-efficient cooling and heating, thanks to SorTech

Technical specifications eCoo 2.0 | 20 IPS

Application range	
Hot water temperature	50 – 95° C
Recooling water temperature	22 - 40 °C
Chilled water temperature	8 - 21 °C
Heating water temperature	free heating: 25 - 70 °C
Recooling water temperature	free cooling: min. 5 °C
Basic performance data	
Refrigeration power	up to 24   32 kW
Heating capacity	up to 80   100 kW
COP therm.	max. 0.65
Dimensions	
WxDxH	800 x 1,338 x 2,345 mm
Floor space required	1.07 m <sup>2</sup>
Power drawn / power connection	
At pressure loss eCoo 2.0	240   520 W
At claiming the max. lift of pump	1,236   1,368 W
Power supply	230 V, 50/60 Hz

Operational weight	
Unladen weight	approx. 755 kg*
*With pumps and casing.	
Hot water circuit	
Volume flow	3,200   5,000 l/h
Lift of pump (Cascade)	690   400 mbar
Max. operating pressure	4 bar
Smooth tube connection (Cascade)	DN25
Heat rejection circuit / Heating water circuit	
Volume flow	8,200   10,200 l/h
Lift of pump (Cascade)	890   640 mbar
Max. operating pressure	4 bar
Smooth tube connection (Cascade)	DN50
Chilled water circuit	
Volume flow	4,000   5,800 l/h
Lift of pump (Cascade)	860   520 mbar
Max. operating pressure	4 bar
Smooth tube connection (Cascade)	DN40



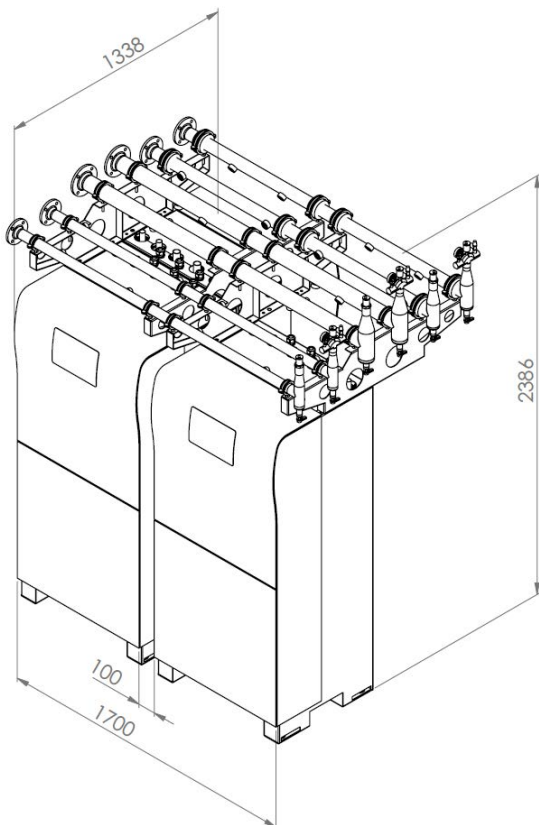
# Adsorption Chiller Aggregate eCoo 2.0

Energy-efficient cooling and heating, thanks to SorTech

Technical specifications eCoo 2.0 | 30 IPS

Application range	
Hot water temperature	50 – 95 °C
Recooling water temperature	22 - 40 °C
Chilled water temperature	8 - 21 °C
Heating water temperature	free heating: 25 - 70 °C
Recooling water temperature	free cooling: min. 5 °C
Basic performance data	
Refrigeration power	up to 48 kW
Heating capacity	up to 150 kW
COP therm.	max. 0,65
Dimensions	
WxDxH	1,700 x 1,338 x 2,386 mm
Floor space required	2.27 m <sup>2</sup>
Power drawn / power connection	
At pressure loss eCoo 2.0	360 - 780 W
At claiming the max. lift of pump	1,854 - 2,052 W
Power supply	230 V, 50/60 Hz

Operational weight	
Unladen weight	approx. 1,160 kg*
*With pumps and casing.	
Hot water circuit	
Volume flow	4,800 - 7,500 l/h
Lift of pump (Cascade)	680 - 360 mbar
Max. operating pressure	4 bar
Flange connection (Cascade)	DN40
Heat rejection circuit / Heating water circuit	
Volume flow	12,300 - 15,300 l/h
Lift of pump (Cascade)	890 - 640 mbar
Max. operating pressure	4 bar
Flange connection (Cascade)	DN65
Chilled water circuit	
Volume flow	6,000 - 8,700 l/h
Lift of pump (Cascade)	860 - 520 mbar
Max. operating pressure	4 bar
Flange connection (Cascade)	DN50



# Adsorption Chiller Aggregate eCoo 2.0

Energy-efficient cooling and heating, thanks to SorTech

Technical specifications eCoo 2.0 | 40 IPS

## Application range

Hot water temperature	50 – 95 °C
Recooling water temperature	22 - 40 °C
Chilled water temperature	8 - 21 °C
Heating water temperature	free heating: 25 - 70 °C
Recooling water temperature	free cooling: min. 5 °C

## Basic performance data

Refrigeration power	up to 64 kW
Heating capacity	up to 200 kW
COP therm.	max. 0.65

## Dimensions

WxDxH	1,700x 1,338 x 2,386 mm
Floor space required	2.27 m <sup>2</sup>

## Power drawn / power connection

At pressure loss eCoo 2.0	480 - 1,040 W
At claiming the max. lift of pump	2,472 - 2,736 W
Power supply	230 V, 50/60 Hz

## Operational weight

Unladen weight	approx. 1,520 kg*
----------------	-------------------

\*With pumps and casing.

## Hot water circuit

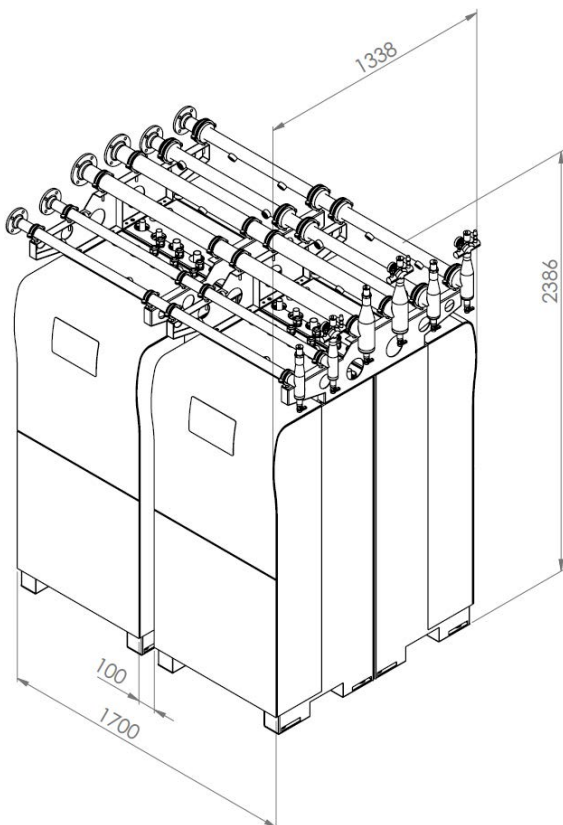
Volume flow	6,400 - 10,000 l/h
Lift of pump (Cascade)	660   320 mbar
Max. operating pressure	4 bar
Flange connection (Cascade)	DN40

## Heat rejection circuit / Heating water circuit

Volume flow	16,400   20,400 l/h
Lift of pump (Cascade)	880   620 mbar
Max. operating pressure	4 bar
Flange connection (Cascade)	DN65

## Chilled water circuit

Volume flow	8,000   11,600 l/h
Lift of pump (Cascade)	850   500 mbar
Max. operating pressure	4 bar
Flange connection (Cascade)	DN50





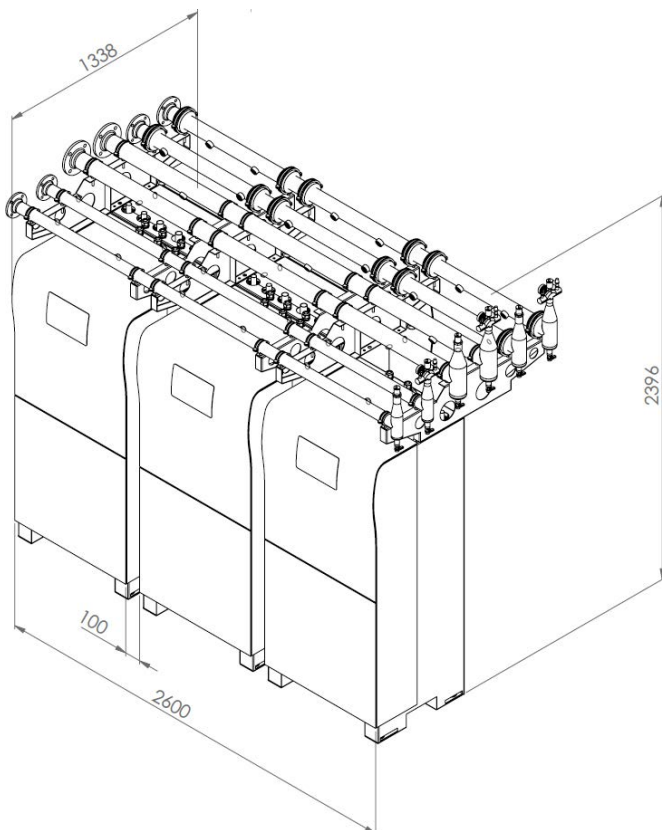
# Adsorption Chiller Aggregate eCoo 2.0

Energy-efficient cooling and heating, thanks to SorTech

Technical specifications eCoo 2.0 | 50 IPS

Application range	
Hot water temperature	50 – 95 °C
Recooling water temperature	22 - 40 °C
Chilled water temperature	8 - 21 °C
Heating water temperature	free heating: 25 - 70 °C
Recooling water temperature	free cooling: min. 5 °C
Basic performance data	
Refrigeration power	up to 80 kW
Heating capacity	up to 250 kW
COP therm.	max. 0.65
Dimensions	
WxDxH	2,600 x 1,338 x 2,396 mm
Floor space required	3.48 m <sup>2</sup>
Power drawn / power connection	
At pressure loss eCoo 2.0	600 - 1,300 W
At claiming the max. lift of pump	3,090 - 3,420 W
Power supply	230 V, 50/60 Hz

Operational weight	
Unladen weight	approx. 1,940 kg*
*With pumps and casing.	
Hot water circuit	
Volume flow	8,000 - 12,500 l/h
Lift of pump (Cascade)	680 - 350 mbar
Max. operating pressure	4 bar
Flange connection (Cascade)	DN50
Heat rejection circuit / Heating water circuit	
Volume flow	20,500 - 25,500 l/h
Lift of pump (Cascade)	880 - 620 mbar
Max. operating pressure	4 bar
Flange connection (Cascade)	DN80
Chilled water circuit	
Volume flow	10,000 - 17,400 l/h
Lift of pump (Cascade)	860 - 520 mbar
Max. operating pressure	4 bar
Flange connection (Cascade)	DN65



# Adsorption Chiller Aggregate eCoo 2.0

Energy-efficient cooling and heating, thanks to SorTech

Technical specifications eCoo 2.0 | 60 IPS

## Application range

Hot water temperature	50 – 95 °C
Recooling water temperature	22 - 40 °C
Chilled water temperature	8 - 21 °C
Heating water temperature	free heating: 25 - 70 °C
Recooling water temperature	free cooling: min. 5 °C

## Basic performance data

Refrigeration power	up to 96 kW
Heating capacity	up to 300 kW
COP therm.	max. 0.65

## Dimensions

WxDxH	2,600 x 1,338 x 2,396 mm
Floor space required	3.48 m <sup>2</sup>

## Power drawn / power connection

At pressure loss eCoo 2.0	720 - 1,560 W
At claiming the max. lift of pump	3,708 - 4,104 W
Power supply	230 V, 50/60 Hz

## Operational weight

Unladen weight	approx. 2,290 kg*
----------------	-------------------

\*With pumps and casing.

## Hot water circuit

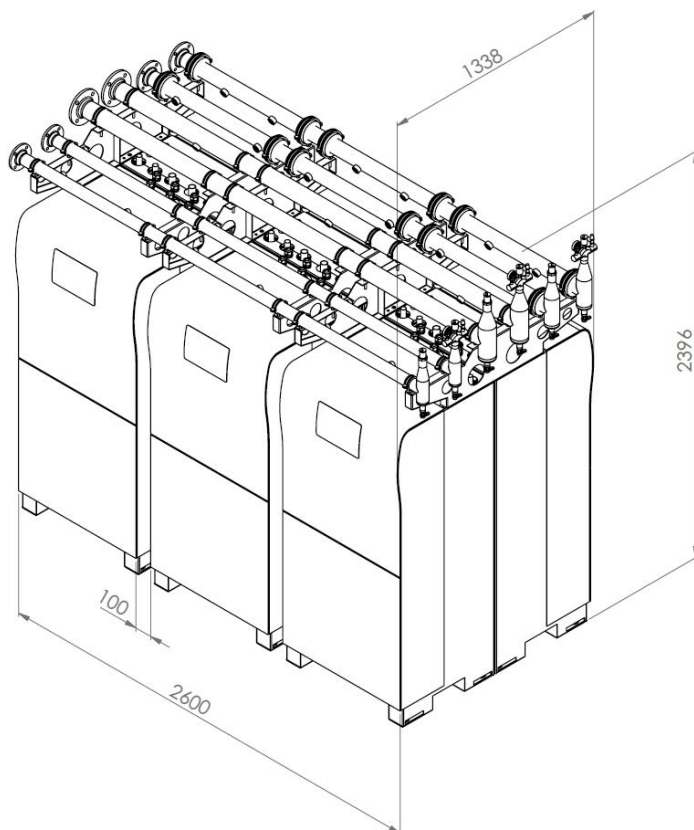
Volume flow	9,600 - 15,000 l/h
Lift of pump (Cascade)	660 - 320 mbar
Max. operating pressure	4 bar
Flange connection (Cascade)	DN50

## Heat rejection circuit / Heating water circuit

Volume flow	24,600 - 30,600 l/h
Lift of pump (Cascade)	870 - 600 mbar
Max. operating pressure	4 bar
Flange connection (Cascade)	DN80

## Chilled water circuit

Volume flow	12,000 - 17,400 l/h
Lift of pump (Cascade)	860 - 500 mbar
Max. operating pressure	4 bar
Flange connection (Cascade)	DN65



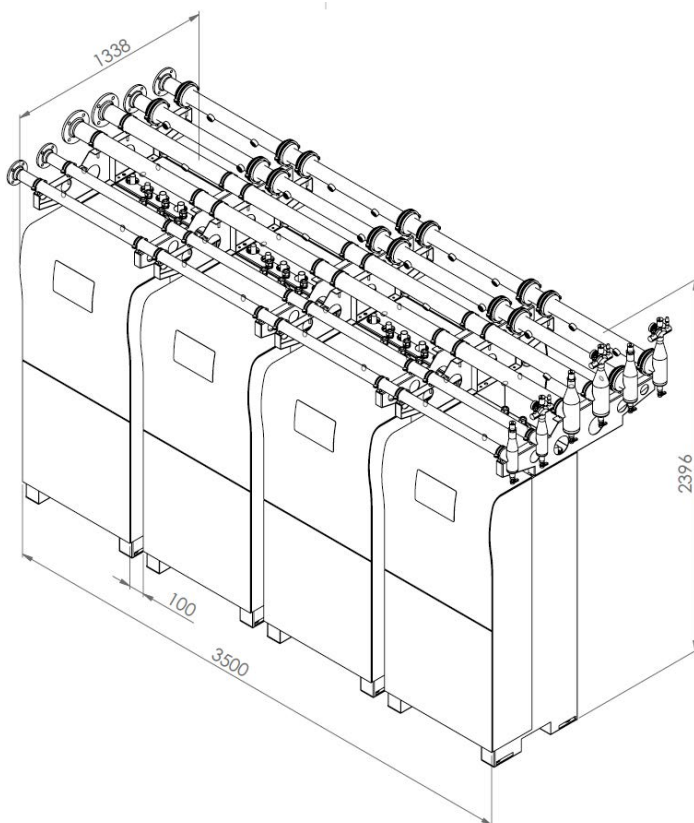
# Adsorption Chiller Aggregate eCoo 2.0

Energy-efficient cooling and heating, thanks to SorTech

Technical specifications eCoo 2.0 | 70 IPS

Application range	
Hot water temperature	50 – 95 °C
Recooling water temperature	22 - 40 °C
Chilled water temperature	8 - 21 °C
Heating water temperature	free heating: 25 - 70 °C
Recooling water temperature	free cooling: min. 5 °C
Basic performance data	
Refrigeration power	up to 112 kW
Heating capacity	up to 350 kW
COP therm.	max. 0.65
Dimensions	
WxDxH	3,500 x 1,338 x 2,396 mm
Floor space required	4.68 m <sup>2</sup>
Power drawn / power connection	
At pressure loss eCoo 2.0	840 - 1,820 W
At claiming the max. lift of pump	4,326 - 4,788 W
Power supply	230 V, 50/60 Hz

Operational weight	
Unladen weight	approx. 2,690 kg*
*With pumps and casing.	
Hot water circuit	
Volume flow	11,200 - 17,500 l/h
Lift of pump (Cascade)	640 - 270 mbar
Max. operating pressure	4 bar
Flange connection (Cascade)	DN50
Heat rejection circuit / Heating water circuit	
Volume flow	28,700 - 35,700 l/h
Lift of pump (Cascade)	850 - 570 mbar
Max. operating pressure	4 bar
Flange connection (Cascade)	DN80
Chilled water circuit	
Volume flow	14,000 - 20,300 l/h
Lift of pump (Cascade)	850 - 480 mbar
Max. operating pressure	4 bar
Flange connection (Cascade)	DN65



# Adsorption Chiller Aggregate eCoo 2.0

Energy-efficient cooling and heating, thanks to SorTech

Technical specifications eCoo 2.0 | 80 IPS

## Application range

Hot water temperature	50 – 95 °C
Recooling water temperature	22 - 40 °C
Chilled water temperature	8 - 21 °C
Heating water temperature	free heating: 25 - 70 °C
Recooling water temperature	free cooling: min. 5 °C

## Basic performance data

Refrigeration power	up to 128 kW
Heating capacity	up to 400 kW
COP therm.	max. 0.65

## Dimensions

WxDxH	3,500 x 1,338 x 2,396 mm
Floor space required	4.68 m <sup>2</sup>

## Power drawn / power connection

At pressure loss eCoo 2.0	960 - 2,080 W
At claiming the max. lift of pump	4,944 - 5,472 W
Power supply	230 V, 50/60 Hz

## Operational Weight

Unladen weight	approx. 3,050 kg*
----------------	-------------------

\*With pumps and casing.

## Hot water circuit

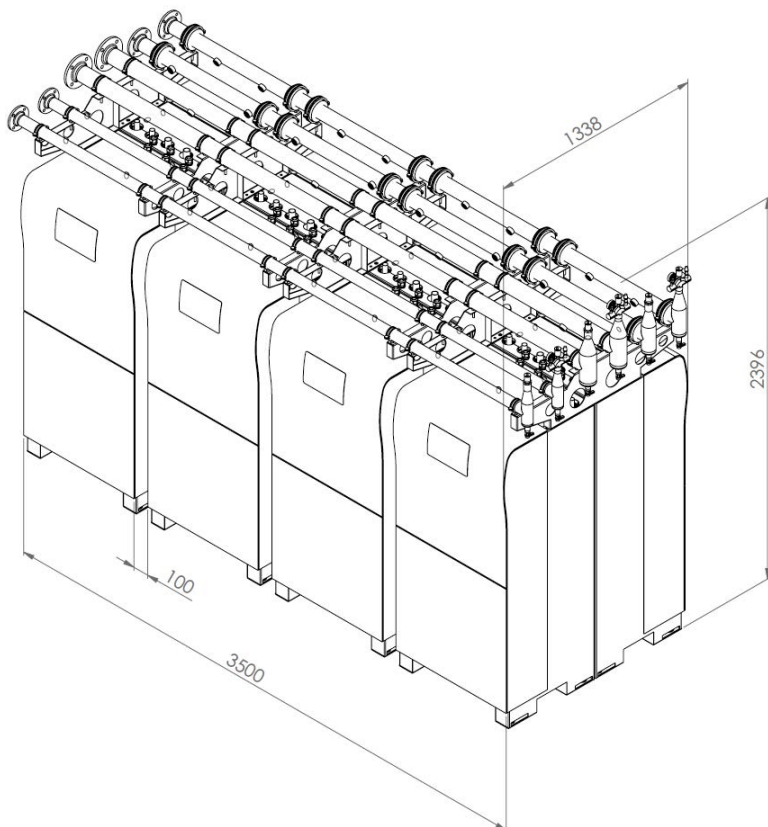
Volume flow	12,800 - 20,000 l/h
Lift of pump (Cascade)	620 - 230 mbar
Max. operating pressure	4 bar
Flange connection (Cascade)	DN50

## Heat rejection circuit / Heating water circuit

Volume flow	32,800 - 40,800 l/h
Lift of pump (Cascade)	830 - 550 mbar
Max. operating pressure	4 bar
Flange connection (Cascade)	DN80

## Chilled water circuit

Volume flow	16,000 - 23,200 l/h
Lift of pump (Cascade)	840 - 460 mbar
Max. operating pressure	4 bar
Flange connection (Cascade)	DN65



# Adsorption Chiller Aggregate eZea

Energy-efficient cooling and heating, thanks to SorTech

Technical specification eZea 10 IPS

Application range	
Hot water temperature	75 – 95 °C
Recooling water temperature	22 - 45 °C
Chilled water temperature	8 - 21 °C
Heating water temperature	free heating: 25 - 70 °C
Recooling water temperature	free cooling: min. 5 °C

Basic performance data	
Refrigeration power	up to 13 kW
Heating capacity	up to 40 kW
COP therm.	max. 0.53

Dimensions	
WxDxH	670 x 560 x 1,652 mm
Floor space required	0.38 m <sup>2</sup>

Power drawn / power connection	
Without pump group	6 W (avg.)
At pressure loss eZea	147 - 357 W
At claiming the max. lift of pump	718 - 792 W
Power supply	230 V, 50/60 Hz

Operational weight	
Unladen weight	approx. 234,5 kg*

\* With pump group and casing.

Hot water circuit	
Volume flow	1,600 - 2,500 l/h
Pressure loss eZea	246 - 579 mbar
Max. additional lift of pump	954   621 mbar
Max. operating pressure	4 bar
Connection - external thread	1 ¼"

Heat rejection circuit / Heating water circuit	
Volume flow	4,100 - 5,100 l/h
Pressure loss eZea	380 - 570 mbar
Max. additional lift of pump	820 - 540 mbar
Max. operating pressure	4 bar
Connection - external thread	1 ½"

Chilled water circuit	
Volume flow	2,000 - 2,900 l/h
Pressure loss eZea	290 - 615 mbar
Max. additional lift of pump	910 - 585 mbar
Max. operating pressure	4 bar
Connection - external thread	1 ¼"

## Optional accessories

### Interface adapter – VBus®LAN

Network connection for the refrigeration unit. Access to equipment data from the entire network. Remote parameterization of the unit and Data acquisition via VBus®.

### App for mobile devices VBus®Touch

In conjunction with VBus®LAN. Detailed temperature data can be queried. Values for the energy balance can be displayed. Survey of the system status.

For further information please consult our price and delivery data.

### Data logger

Data acquisition and/or parameterization for up to 6 refrigeration units. BAC-Net functionality (data transmission and reception in accordance with BAC-Net). Data can be read out using the integrated Web interface.

### Voltage transformer

For utilizing alternative line voltages and/or frequencies.

### System separation

For integrating a recooling solution and/or for operating the recooling circuit at ambient temperatures <0°C.

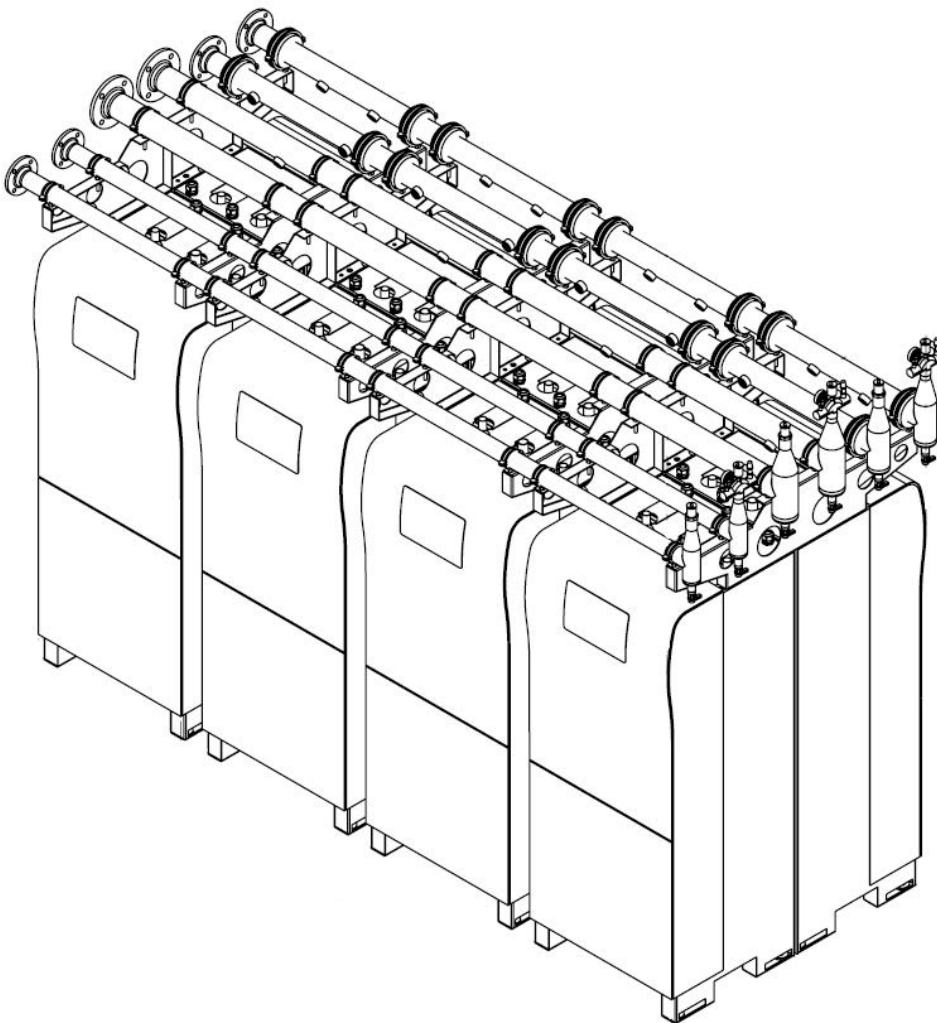
### Sensors

Different types of sensors for determining water, room and outside air temperatures.

# eZea Cascading - More eZea leads to higher output!

## Energy-efficient cooling and heating, thanks to SorTech

- Interconnection kit for the hydraulic connection of several eZea adsorption chiller aggregates to scale performance and to simplify systems integration.
- Assembly consoles inclusive fittings to mount adsorption chiller aggregates and to attach connection pipes.
- Ready-made, labeled and insulated flexible hoses to attach the connection pipes to the adsorption chiller aggregates eZea
- Simple connectivity of flexible hoses
- Includes safety groups and fill valves
- Start-up/cut-off via potential-free contact (e.g. in connection with building control system (GLT), external controls, thermostat)
- Customer specific design possible (e.g. speed-controlled pumps etc.)
- Various recoler solutions available



Configuration sample:  
cascading connection comprised of eight eZea  
aggregates with controller, integrated pump group and casing.

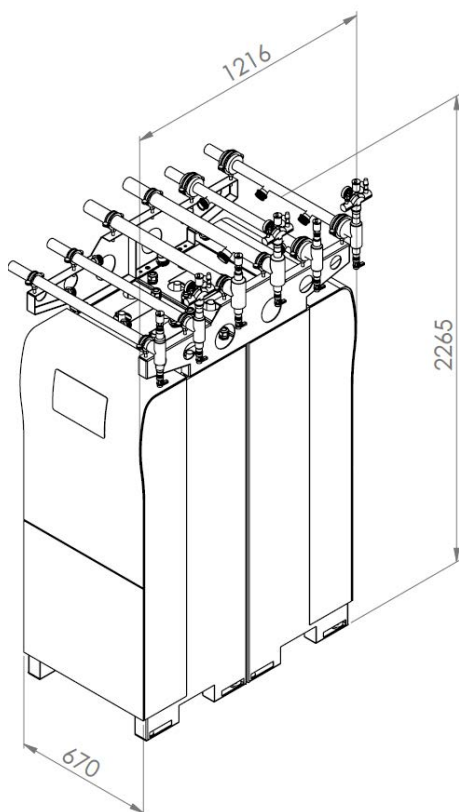
# Adsorption Chiller Aggregate eZea

Energy-efficient cooling and heating, thanks to SorTech

## Technical specifications eZea 20 IPS

Application range	
Hot water temperature	75 – 95 °C
Recooling water temperature	22 - 45 °C
Chilled water temperature	8 - 21 °C
Heating water temperature	free heating: 25 - 70 °C
Recooling water temperature	free cooling: min. 5 °C
Basic performance data	
Refrigeration power	up to 26 kW
Heating capacity	up to 80 kW
COP therm.	max. 0.53
Dimensions	
WxDxH	670 x 1,216 x 2,265 mm
Floor space required	0.81 m <sup>2</sup>
Power drawn / power connection	
At pressure loss eZea	294 - 714 W
At claiming the max. lift of pump	1,436 - 1,584 W
Power supply	230 V, 50/60 Hz

Operational weight	
Unladen weight	approx. 510 kg*
*With pumps and casing.	
Hot water circuit	
Volume flow	3,200 - 5,000 l/h
Lift of pump (Cascade)	920 - 560 mbar
Max. operating pressure	4 bar
Smooth tube connection (Cascade)	DN25
Heat rejection circuit / Heating water circuit	
Volume flow	8,200 - 10,200 l/h
Lift of pump (Cascade)	780 - 490 mbar
Max. operating pressure	4 bar
Smooth tube connection (Cascade)	DN50
Chilled water circuit	
Volume flow	4,000 - 5,800 l/h
Lift of pump (Cascade)	860 - 480 mbar
Max. operating pressure	4 bar
Smooth tube connection (Cascade)	DN40



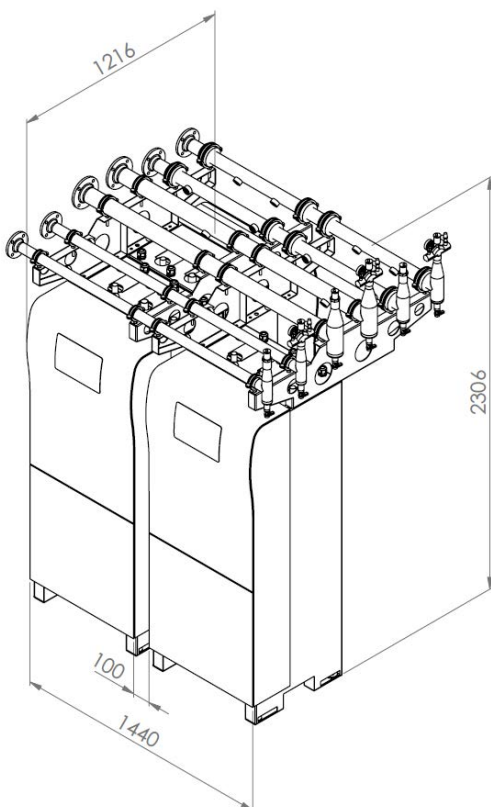
# Adsorption Chiller Aggregate eZea

Energy-efficient cooling and heating, thanks to SorTech

Technical specifications eZea 30 IPS

Application range	
Hot water temperature	75 – 95 °C
Recooling water temperature	22 - 45 °C
Chilled water temperature	8 - 21 °C
Heating water temperature	free heating: 25 - 70 °C
Recooling water temperature	free cooling: min. 5 °C
Basic performance data	
Refrigeration power	up to 39 kW
Heating capacity	up to 120 kW
COP therm.	max. 0,53
Dimensions	
WxDxH	1,440 x 1,216 x 2,306 mm
Floor space required	1.75 m <sup>2</sup>
Power drawn / power connection	
At pressure loss eZea	441 - 1,071 W
At claiming the max. lift of pump	2,154 - 2,376 W
Power supply	230 V, 50/60 Hz

Operational weight	
Unladen weight	approx. 790 kg*
*With pumps and casing.	
Hot water circuit	
Volume flow	4,800 - 7,500 l/h
Lift of pump (Cascade)	910 - 520 mbar
Max. operating pressure	4 bar
Flange connection (Cascade)	DN40
Heat rejection circuit / Heating water circuit	
Volume flow	12,300 - 15,300 l/h
Lift of pump (Cascade)	780 - 490 mbar
Max. operating pressure	4 bar
Flange connection (Cascade)	DN65
Chilled water circuit	
Volume flow	6,000 - 8,700 l/h
Lift of pump (Cascade)	860 - 480 mbar
Max. operating pressure	4 bar
Flange connection (Cascade)	DN50





# Adsorption Chiller Aggregate eZea

Energy-efficient cooling and heating, thanks to SorTech

Technical specifications eZea 40 IPS

Application range	
Hot water temperature	75 - 95 °C
Recooling water temperature	22 - 45 °C
Chilled water temperature	8 - 21 °C
Heating water temperature	free heating: 25 - 70 °C
Recooling water temperature	free cooling: min. 5 °C

Basic performance data	
Refrigeration power	up to 52 kW
Heating capacity	up to 160 kW
COP therm.	max. 0.53

Dimensions	
WxDxH	1,440x 1,216 x 2,306 mm
Floor space required	1.75 m <sup>2</sup>

Power drawn / power connection	
At pressure loss eZea	588 - 1,428 W
At claiming the max. lift of pump	2,872 - 3,168 W
Power supply	230 V, 50/60 Hz

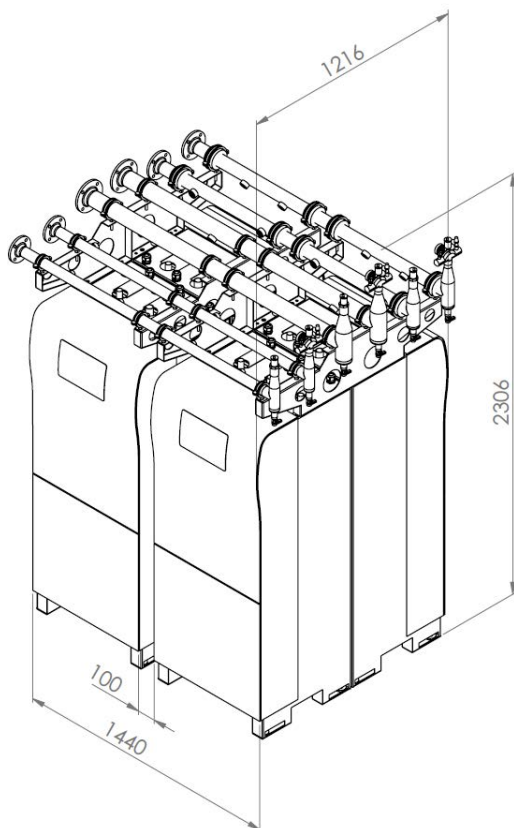
Operational weight	
Unladen weight	approx. 1,025 kg*

\*With pumps and casing.

Hot water circuit	
Volume flow	6,400 - 10,000 l/h
Lift of pump (Cascade)	900 - 490 mbar
Max. operating pressure	4 bar
Flange connection (Cascade)	DN40

Heat rejection circuit / Heating water circuit	
Volume flow	16,400 - 20,400 l/h
Lift of pump (Cascade)	770 - 470 mbar
Max. operating pressure	4 bar
Flange connection (Cascade)	DN65

Chilled water circuit	
Volume flow	8,000 - 11,600 l/h
Lift of pump (Cascade)	850 - 460 mbar
Max. operating pressure	4 bar
Flange connection (Cascade)	DN50



# Adsorption Chiller Aggregate eZea

Energy-efficient cooling and heating, thanks to SorTech

Technical specifications eZea 50 IPS

Application range	
Hot water temperature	75 – 95 °C
Recooling water temperature	22 - 45 °C
Chilled water temperature	8 - 21 °C
Heating water temperature	free heating: 25 - 70 °C
Recooling water temperature	free cooling: min. 5 °C

Basic performance data	
Refrigeration power	up to 65 kW
Heating capacity	up to 200 kW
COP therm.	max. 0.53

Dimensions	
WxDxH	2,210 x 1,216 x 2,316 mm
Floor space required	2.69 m <sup>2</sup>

Power drawn / power connection	
At pressure loss eZea	735 - 1,785 W
At claiming the max. lift of pump	3,590 - 3,960 W
Power supply	230 V, 50/60 Hz

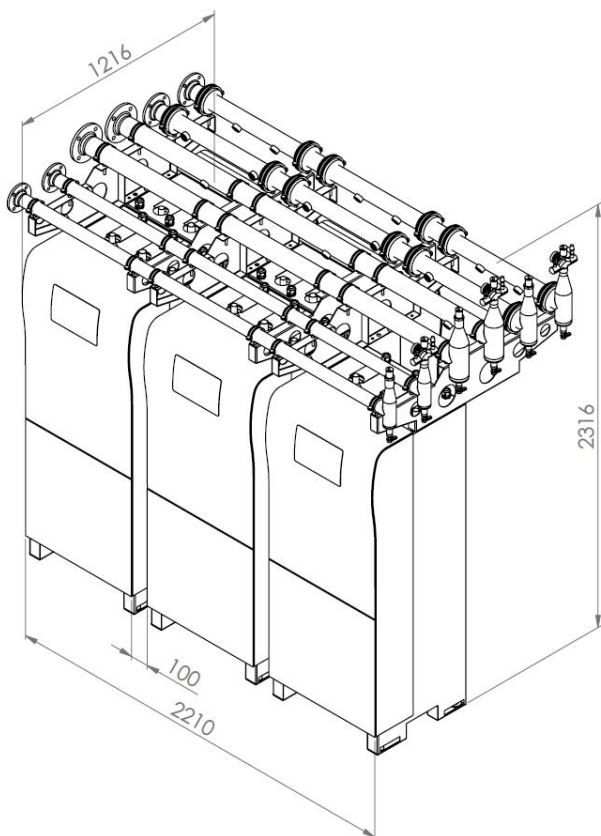
Operational weight	
Unladen weight	approx. 1,310 kg*

\*With pumps and casing.

Hot water circuit	
Volume flow	8,000 - 12,500 l/h
Lift of pump (Cascade)	910 - 510 mbar
Max. operating pressure	4 bar
Flange connection (Cascade)	DN50

Heat rejection circuit / Heating water circuit	
Volume flow	20,500 - 25,500 l/h
Lift of pump (Cascade)	770 - 470 mbar
Max. operating pressure	4 bar
Flange connection (Cascade)	DN80

Chilled water circuit	
Volume flow	10,000 - 17,400 l/h
Lift of pump (Cascade)	850 - 470 mbar
Max. operating pressure	4 bar
Flange connection (Cascade)	DN65



# Adsorption Chiller Aggregate eZea

Energy-efficient cooling and heating, thanks to SorTech

Technical specifications eZea 60 IPS

## Application range

Hot water temperature	75 – 95 °C
Recooling water temperature	22 - 45 °C
Chilled water temperature	8 - 21 °C
Heating water temperature	free heating: 25 - 70 °C
Recooling water temperature	free cooling: min. 5 °C

## Basic performance data

Refrigeration power	up to 78 kW
Heating capacity	up to 240 kW
COP therm.	max. 0.53

## Dimensions

WxDxH	2,210 x 1,216 x 2,316 mm
Floor space required	2.69 m <sup>2</sup>

## Power drawn / power connection

At pressure loss eZea	882 - 2,142 W
At claiming the max. lift of pump	4,308 - 4,752 W
Power supply	230 V, 50/60 Hz

## Operational weight

Unladen weight	approx. 1,545 kg*
----------------	-------------------

\*With pumps and casing.

## Hot water circuit

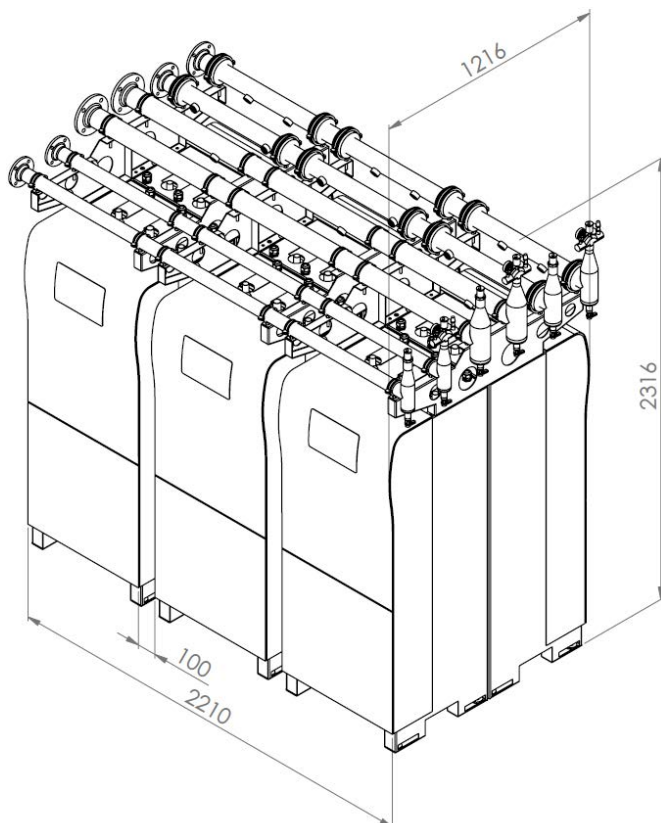
Volume flow	9,600 - 15,000 l/h
Lift of pump (Cascade)	900 - 490 mbar
Max. operating pressure	4 bar
Flange connection (Cascade)	DN50

## Heat rejection circuit / Heating water circuit

Volume flow	24,600 - 30,600 l/h
Lift of pump (Cascade)	760 - 460 mbar
Max. operating pressure	4 bar
Flange connection (Cascade)	DN80

## Chilled water circuit

Volume flow	12,000 - 17,400 l/h
Lift of pump (Cascade)	850 - 460 mbar
Max. operating pressure	4 bar
Flange connection (Cascade)	DN65



# Adsorption Chiller Aggregate eZea

Energy-efficient cooling and heating, thanks to SorTech

Technical specifications eZea 70 IPS

Application range	
Hot water temperature	75 – 95 °C
Recooling water temperature	22 - 45 °C
Chilled water temperature	8 -21 °C
Heating water temperature	free heating: 25 - 70 °C
Recooling water temperature	free cooling: min. 5 °C

Basic performance data	
Refrigeration power	up to 91 kW
Heating capacity	up to 280 kW
COP therm.	max. 0.53

Dimensions	
WxDxH	2,980 x 1,216 x 2,316 mm
Floor space required	3.62 m <sup>2</sup>

Power drawn / power connection	
At pressure loss eZea	1,029 - 2,499 W
At claiming the max. lift of pump	5,026 - 5,544 W
Power supply	230 V, 50/60 Hz

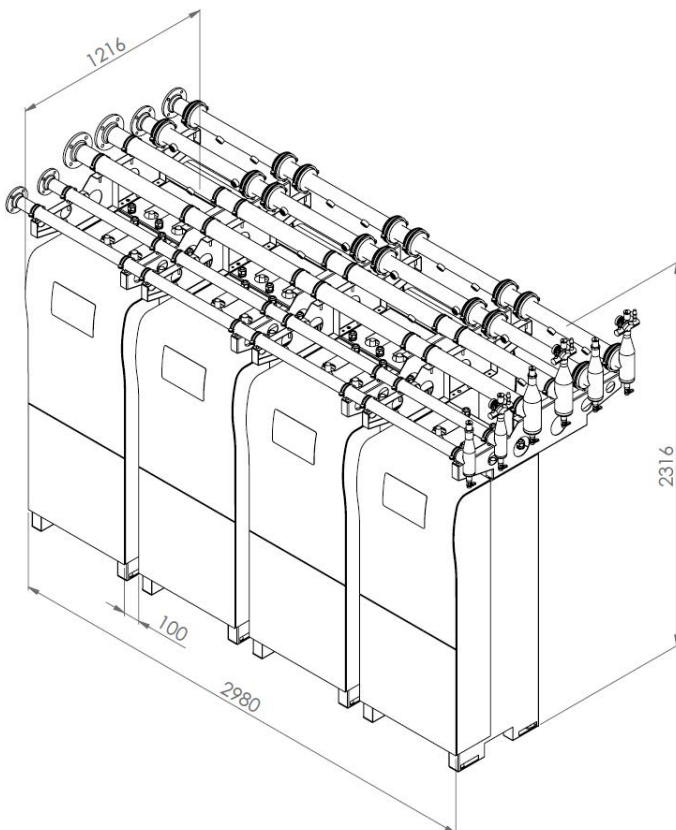
Operational weight	
Unladen weight	approx. 1,820 kg*

\*With pumps and casing.

Hot water circuit	
Volume flow	11,200 - 17,500 l/h
Lift of pump (Cascade)	880 - 440 mbar
Max. operating pressure	4 bar
Flange connection (Cascade)	DN50

Heat rejection circuit / Heating water circuit	
Volume flow	28,700 - 35,700 l/h
Lift of pump (Cascade)	750 - 430 mbar
Max. operating pressure	4 bar
Flange connection (Cascade)	DN80

Chilled water circuit	
Volume flow	14,000 - 20,300 l/h
Lift of pump (Cascade)	840 - 440 mbar
Max. operating pressure	4 bar
Flange connection (Cascade)	DN65



# Adsorption Chiller Aggregate eZea

Energy-efficient cooling and heating, thanks to SorTech

Technical specifications eZea 80 IPS

## Application range

Hot water temperature	75 - 95 °C
Recooling water temperature	22 - 45 °C
Chilled water temperature	8 - 21 °C
Heating water temperature	free heating: 25 - 70 °C
Recooling water temperature	free cooling: min. 5 °C

## Basic performance data

Refrigeration power	up to 104 kW
Heating capacity	up to 320 kW
COP therm.	max. 0.53

## Dimensions

WxDxH	2,980 x 1,216 x 2,316 mm
Floor space required	3.62 m <sup>2</sup>

## Power drawn / power connection

At pressure loss eZea	1,176 - 2,856 W
At claiming the max. lift of pump	5,744 - 6,336 W
Power supply	230 V, 50/60 Hz

## Operational Weight

Unladen weight	approx. 2,055 kg*
----------------	-------------------

\*With pumps and casing.

## Hot water circuit

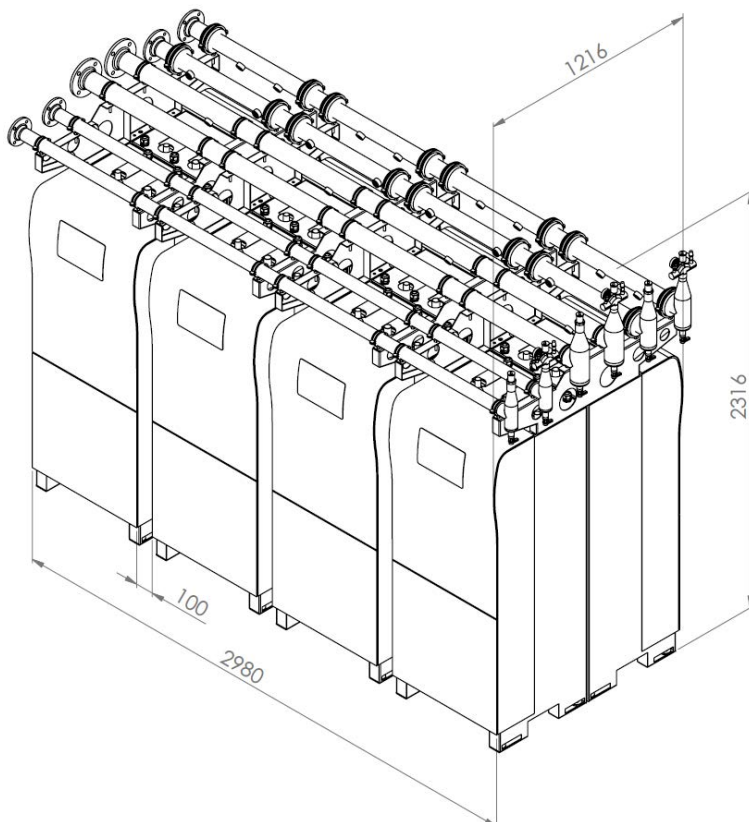
Volume flow	12,800 - 20,000 l/h
Lift of pump (Cascade)	860 - 400 mbar
Max. operating pressure	4 bar
Flange connection (Cascade)	DN50

## Heat rejection circuit / Heating water circuit

Volume flow	32,800 - 40,800 l/h
Lift of pump (Cascade)	730 - 400 mbar
Max. operating pressure	4 bar
Flange connection (Cascade)	DN80

## Chilled water circuit

Volume flow	16,000 - 23,200 l/h
Lift of pump (Cascade)	830 - 420 mbar
Max. operating pressure	4 bar
Flange connection (Cascade)	DN65



# SorTech Recooler - Overview

Integrated electricity-saving EC technology

Integrated system for temperature-controlled, stepless variation of fan speed

## Recooler eRec & eRec-POWER

### Recooler

Optimised for type eCoo 2.0 & eZea | 10 - 80 IPS

Horizontal installation with fork or lift

High efficiency Recooler

By coating aluminium fins there is no upgrade possible with a spray system

### Recooler - with spray system

Optimised for type eCoo 2.0 & eZea | 10 - 40 IPS

Vertical installation with fork or lift

Spray medium: water

Spray system include: spray lance, pressure reducer, solenoid valve and drain valve

Temporary spray of the fins via spray lance to cover peak loads

## Recooler eRis & eRis-POWER

### Recooler

Optimised for type eCoo 2.0 & eZea | 10 - 80 IPS

Horizontal installation with fork or lift

By coating aluminium fins there is no upgrade possible with a spray system

### Recooler - with spray system

Optimised for type eCoo 2.0 & eZea | 10 - 40 IPS

Vertical installation with fork or lift

Spray medium: water

Spray system include: spray lance, pressure reducer, solenoid valve and drain valve

Temporary spray of the fins via spray lance to cover peak loads



# Recooler - eRec, A++<sup>\*1</sup>

## Technical specifications eRec 10

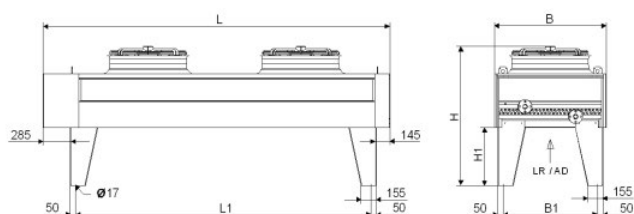
Performance data	
Recooler capacity	up to 29 kW
Recooling medium	ethylene glycol 34%
Water temperature inlet/outlet	30.6/25 °C
Nominal volume flow	4.8 m <sup>3</sup> /h
Max. operating pressure	4 bar
Temperature air inlet/outlet	23.0/26.7 °C
Air flow	24,000 m <sup>3</sup> /h
Pressure loss at nominal volume flow	210 mbar

Ventilators	
Ventilators	02xEC Ventilators
Sound pressure level in 10 m	34 dB(A)

Weight	
Unladen weight	approx. 438 kg

Dimensions	
WxDxH	,230 x 1,170 x 1,510 mm
Floor space required	4.95 m <sup>2</sup>

Power drawn/power connection	
Power drawn	0.54 kW
Power supply	230 V, 50/60 Hz



## Technical specifications eRec 20

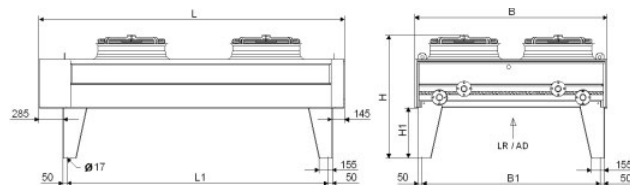
Performance data	
Recooler capacity	up to 58 kW
Recooling medium	ethylene glycol 34%
Water temperature inlet/outlet	30.6/25 °C
Nominal volume flow	9.6 m <sup>3</sup> /h
Max. operating pressure	4 bar
Temperature air inlet/outlet	23.0/ 26.7 °C
Air flow	48,000 m <sup>3</sup> /h
Pressure loss at nominal volume flow	200 mbar

Ventilators	
Ventilators	04xEC Ventilators
Sound pressure level in 10 m	37 dB(A)

Weight	
Unladen weight	approx. 791 kg

Dimensions	
WxDxH	,230 x 2,290 x 1,510 mm
Floor space required	9.69 m <sup>2</sup>

Power drawn/power connection	
Power drawn	1.08 kW
Power supply	230 V, 50/60 Hz



\*1 Energy efficiency class, calculation based on Eurovent

# Recooler - eRec, A+ <sup>\*1</sup>

## Technical specifications eRec 30

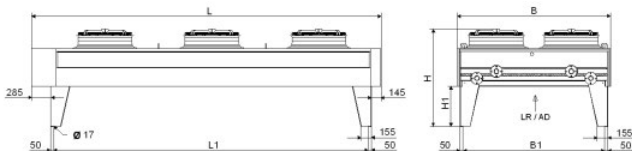
Performance data	
Recooler capacity	up to 87 kW
Recooling medium	ethylene glycol 34%
Water temperature inlet/outlet	30.6/25 °C
Nominal volume flow	14.4 m <sup>3</sup> /h
Max. operating pressure	4 bar
Temperature air inlet/outlet	23.0/26.0 °C
Air flow	87,000 m <sup>3</sup> /h
Pressure loss at nominal volume flow	310 mbar

Ventilators	
Ventilators	06xEC Ventilators
Sound pressure level in 10 m	43 dB(A)

Weight	
Unladen weight	approx. 1,066 kg

Dimensions	
WxDxH	6,130 x 2,290 x 1,510 mm
Floor space required	14.04 m <sup>2</sup>

Power drawn/power connection	
Power drawn	2.4 kW
Power supply	400 V, 50/60 Hz



## Technical specifications eRec 40

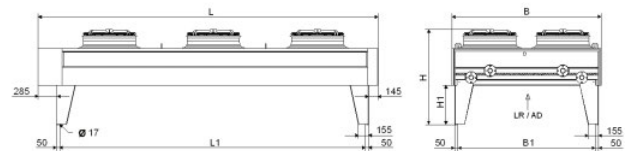
Performance data	
Recooler capacity	up to 116 kW
Recooling medium	ethylene glycol 34%
Water temperature inlet/outlet	30.6/25 °C
Nominal volume flow	19.2 m <sup>3</sup> /h
Max. operating pressure	4 bar
Temperature air inlet/outlet	23.0/27.0 °C
Air flow	88,000 m <sup>3</sup> /h
Pressure loss at nominal volume flow	210 mbar

Ventilators	
Ventilators	06xEC Ventilators
Sound pressure level in 10 m	45 dB(A)

Weight	
Unladen weight	approx. 1,166 kg

Dimensions	
WxDxH	6,130 x 2,290 x 1,510 mm
Floor space required	14.04 m <sup>2</sup>

Power drawn/power connection	
Power drawn	3.24 kW
Power supply	400 V, 50/60 Hz



\*1 Energy efficiency class, calculation based on Eurovent



# Recooler - eRec, A+ <sup>\*1</sup>

## Technical specifications eRec 50

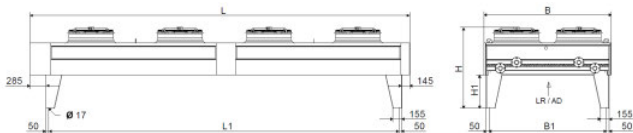
Performance data	
Recooler capacity	up to 145 kW
Recooling medium	ethylene glycol 34%
Water temperature inlet/outlet	30.6/25 °C
Nominal volume flow	24 m <sup>3</sup> /h
Max. operating pressure	4 bar
Temperature air inlet/outlet	23.0/27.3 °C
Air flow	102,000 m <sup>3</sup> /h
Pressure loss at nominal volume flow	340 mbar

Ventilators	
Ventilators	08xEC Ventilators
Sound pressure level in 10 m	47 dB(A)

Weight	
Unladen weight	approx. 1,565 kg

Dimensions	
WxDxH	6,830 x 2,290 x 1,510 mm
Floor space required	15.64 m <sup>2</sup>

Power drawn/power connection	
Power drawn	4.08 kW
Power supply	400 V, 50/60 Hz



## Technical specifications eRec 60

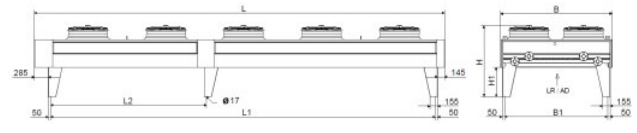
Performance data	
Recooler capacity	up to 174 kW
Recooling medium	ethylene glycol 34%
Water temperature inlet/outlet	30.6/25 °C
Nominal volume flow	28.8 m <sup>3</sup> /h
Max. operating pressure	4 bar
Temperature air inlet/outlet	23.0/26.6 °C
Air flow	145,000 m <sup>3</sup> /h
Pressure loss at nominal volume flow	180 mbar

Ventilators	
Ventilators	10xEC Ventilators
Sound pressure level in 10 m	47 dB(A)

Weight	
Unladen weight	approx. 1,953 kg

Dimensions	
WxDxH	9,930 x 2,290 x 1,510 mm
Floor space required	22.74 m <sup>2</sup>

Power drawn/power connection	
Power drawn	4.9 kW
Power supply	400 V, 50/60 Hz



\*1 Energy efficiency class, calculation based on Eurovent

# Recooler - eRec, A+ <sup>\*1</sup>

## Technical specifications eRec 70

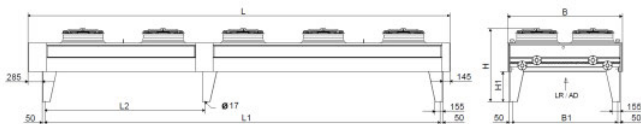
Performance data	
Recooler capacity	up to 203 kW
Recooling medium	ethylene glycol 34%
Water temperature inlet/outlet	30.6/25 °C
Nominal volume flow	33.6 m <sup>3</sup> /h
Max. operating pressure	4 bar
Temperature air inlet/outlet	23.0/26.8 °C
Air flow	160,000 m <sup>3</sup> /h
Pressure loss at nominal volume flow	240 mbar

Ventilators	
Ventilatoraven	10xEC Ventilators
Sound pressure level in 10 m	47 dB(A)

Weight	
Unladen weight	approx. 2,249 kg

Dimensions	
WxDxH	11,930 x 2,290 x 1,510 mm
Floor space required	27.32 m <sup>2</sup>

Power drawn/power connection	
Power drawn	5.1 kW
Power supply	400 V, 50/60 Hz



## Technical specifications eRec 80

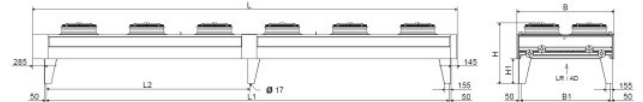
Performance data	
Recooler capacity	up to 232 kW
Recooling medium	ethylene glycol 34%
Water temperature inlet/outlet	30.6/25 °C
Nominal volume flow	38.4 m <sup>3</sup> /h
Max. operating pressure	4 bar
Temperature air inlet/outlet	23.0/26.8 °C
Air flow	183,000 m <sup>3</sup> /h
Pressure loss at nominal volume flow	300 mbar

Ventilators	
Ventilators	12xEC Ventilators
Sound pressure level in 10 m	48 dB(A)

Weight	
Unladen weight	approx. 2,318 kg

Dimensions	
WxDxH	11,830 x 2,290 x 1,510 mm
Floor space required	27.09 m <sup>2</sup>

Power drawn/power connection	
Power drawn	6.36 kW
Power supply	400 V, 50/60 Hz



\*1 Energy efficiency class, calculation based on Eurovent

# Recooler eRec, A++<sup>\*1</sup> - with spray system

## Technical specifications eRec 10 WW

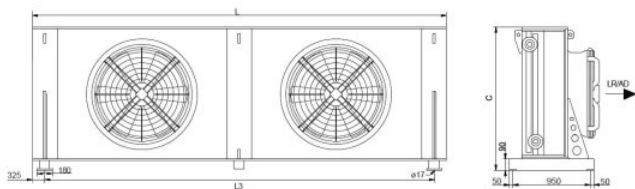
Performance data	
Recooler capacity	up to 29 kW
Recooling medium	ethylene glycol 34%
Water temperature inlet/outlet	30.6/25 °C
Nominal volume flow	4.8 m <sup>3</sup> /h
Max. operating pressure	4 bar
Water consumption	max. 6 m <sup>3</sup> /year
Temperature air inlet/outlet	23.0/26.7 °C
Air flow	24,000 m <sup>3</sup> /h
Pressure loss at nominal volume flow	210 mbar

Ventilators	
Ventilators	02xEC Ventilators
Sound pressure level in 10 m	34 dB(A)

Weight	
Unladen weight	approx. 438 kg

Dimensions	
WxDxH	1,230 x 1,050 x 1,260 mm
Floor space required	4.23 m <sup>2</sup>

Power drawn/power connection	
Power drawn	0.54 kW
Power supply	230 V, 50/60 Hz



## Technical specifications eRec 20 WW

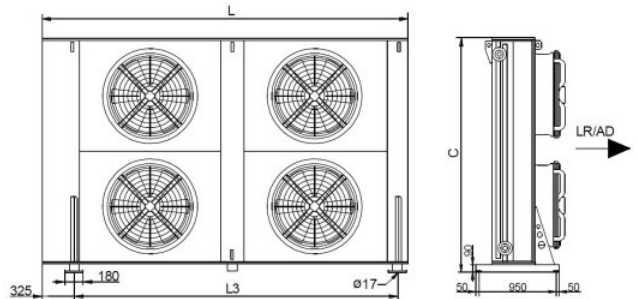
Performance data	
Recooler capacity	up to 58 kW
Recooling medium	ethylene glycol 34%
Water temperature inlet/outlet	30.6/25 °C
Nominal volume flow	9.6 m <sup>3</sup> /h
Max. operating pressure	4 bar
Water consumption	max. 9 m <sup>3</sup> /year
Temperature air inlet/outlet	23.0/26.7 °C
Air flow	48,000 m <sup>3</sup> /h
Pressure loss at nominal volume flow	200 mbar

Ventilators	
Ventilators	04xEC Ventilators
Sound pressure level in 10 m	37 dB(A)

Weight	
Unladen weight	approx. 791 kg

Dimensions	
WxDxH	4,230 x 1,050 x 2,380 mm
Floor space required	4.23 m <sup>2</sup>

Power drawn/power connection	
Power drawn	1.08 kW
Power supply	230 V, 50/60 Hz



\*1 Energy efficiency class, calculation based on Eurovent

# Recooler - eRec, A+ <sup>\*1</sup> - with spray system

## Technical specifications eRec 30 WW

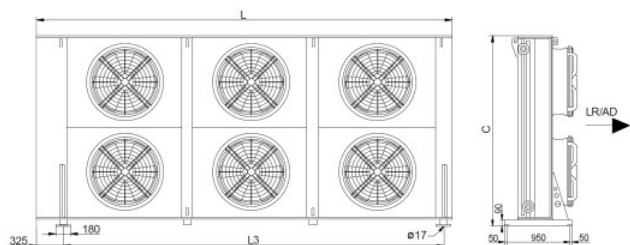
Performance data	
Recooler capacity	up to 87 kW
Recooling medium	ethylene glycol 34%
Water temperature inlet/outlet	30.6/25 °C
Nominal volume flow	14.4 m <sup>3</sup> /h
Max. operating pressure	4 bar
Water consumption	max. 12 m <sup>3</sup> /year
Temperature air inlet/outlet	23.0/26.0 °C
Air flow	87,000 m <sup>3</sup> /h
Pressure loss at nominal volume flow	310 mbar

Ventilators	
Ventilators	06xEC Ventilators
Sound pressure level in 10 m	43 dB(A)

Weight	
Unladen weight	approx. 1,066 kg

Dimensions	
WxDxH	6,130 x 1,050 x 2,380 mm
Floor space required	6.13 m <sup>2</sup>

Power drawn/power connection	
Power drawn	2.4 kW
Power supply	400 V, 50/60 Hz



## Technical specifications eRec 40 WW

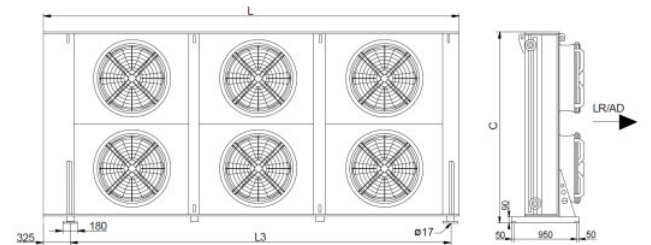
Performance data	
Recooler capacity	up to 116 kW
Recooling medium	ethylene glycol 34%
Water temperature inlet/outlet	30.6/25 °C
Nominal volume flow	19.2 m <sup>3</sup> /h
Max. operating pressure	4 bar
Water consumption	max. 15 m <sup>3</sup> /year
Temperature air inlet/outlet	23.0/27.0 °C
Air flow	88,000 m <sup>3</sup> /h
Pressure loss at nominal volume flow	210 mbar

Ventilators	
Ventilators	06xEC Ventilators
Sound pressure level in 10 m	45 dB(A)

Weight	
Unladen weight	approx. 1,166 kg

Dimensions	
WxDxH	6,130 x 1,050 x 2,380 mm
Floor space required	6.13 m <sup>2</sup>

Power drawn/power connection	
Power drawn	3.24 kW
Power supply	400 V, 50/60 Hz



\*1 Energy efficiency class, calculation based on Eurovent

# Recooler - eRec-POWER, A++<sup>\*1</sup>

## Technical specifications eRec-POWER 10

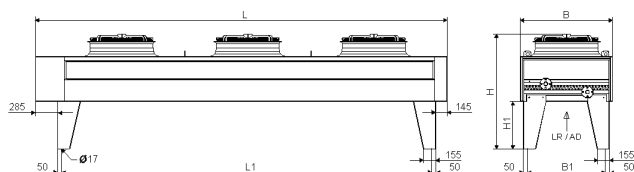
Performance data	
Recooler capacity	up to 40 kW
Recooling medium	ethylene glycol 34%
Water temperature inlet/outlet	31.3/25 °C
Nominal volume flow	5.9 m <sup>3</sup> /h
Max. operating pressure	4 bar
Temperature air inlet/outlet	23.0/26.3 °C
Air flow	36,000 m <sup>3</sup> /h
Pressure loss at nominal volume flow	220 mbar

Ventilators	
Ventilators	03xEC Ventilators
Sound pressure level in 10 m	36 dB(A)

Weight	
Unladen weight	approx. 612 kg

Dimensions	
WxDxH	6,130 x 1,170 x 1,510 mm
Floor space required	7.17 m <sup>2</sup>

Power drawn/power connection	
Power drawn	0.72 kW
Power supply	230 V, 50 Hz



## Technical specifications eRec-POWER 20

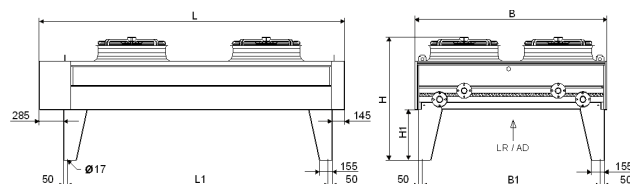
Performance data	
Recooler capacity	up to 80 kW
Recooling medium	ethylene glycol 34%
Water temperature inlet/outlet	31.3/25 °C
Nominal volume flow	11.8 m <sup>3</sup> /h
Max. operating pressure	4 bar
Temperature air inlet/outlet	23.0/28.1 °C
Air flow	47,000 m <sup>3</sup> /h
Pressure loss at nominal volume flow	230 mbar

Ventilators	
Ventilators	04xEC Ventilators
Sound pressure level in 10 m	37 dB(A)

Weight	
Unladen weight	approx. 841 kg

Dimensions	
WxDxH	5,030 x 2,290 x 1,510 mm
Floor space required	11.52 m <sup>2</sup>

Power drawn/power connection	
Power drawn	1.0 kW
Power supply	230 V, 50 Hz



\*: Energy efficiency class, calculation based on Eurovent

# Recooler - eRec-POWER, A+ <sup>\*1</sup>

## Technical specifications eRec-POWER 30

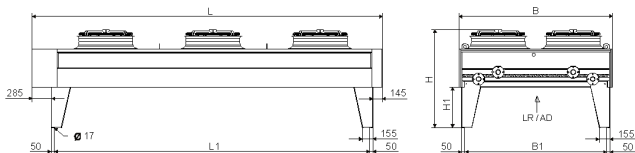
Performance data	
Recooler capacity	up to 120 kW
Recooling medium	ethylene glycol 34%
Water temperature inlet/outlet	31.3/25 °C
Nominal volume flow	17.7 m <sup>3</sup> /h
Max. operating pressure	4 bar
Temperature air inlet/outlet	23.0/27.2 °C
Air flow	86,000 m <sup>3</sup> /h
Pressure loss at nominal volume flow	180 mbar

Ventilators	
Ventilators	06xEC Ventilators
Sound pressure level in 10 m	45 dB(A)

Weight	
Unladen weight	approx. 1,150 kg

Dimensions	
WxDxH	6,130 x 2,290 x 1,510 mm
Floor space required	14.04 m <sup>2</sup>

Power drawn/power connection	
Power drawn	3.06 kW
Power supply	400 V, 50 Hz



## Technical specifications eRec-POWER 40

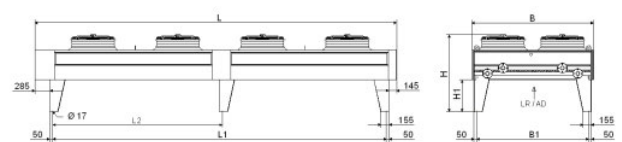
Performance data	
Recooler capacity	up to 160 kW
Recooling medium	ethylene glycol 34%
Water temperature inlet/outlet	31.3/25 °C
Nominal volume flow	23.6 m <sup>3</sup> /h
Max. operating pressure	4 bar
Temperature air inlet/outlet	23.0/27.4 °C
Air flow	110,000 m <sup>3</sup> /h
Pressure loss at nominal volume flow	180 mbar

Ventilators	
Ventilators	08xEC Ventilators
Sound pressure level in 10 m	45 dB(A)

Weight	
Unladen weight	approx. 1,760 kg

Dimensions	
WxDxH	9,630 x 2,290 x 1,510 mm
Floor space required	22.05 m <sup>2</sup>

Power drawn/power connection	
Power drawn	3.2 kW
Power supply	400 V, 50 Hz



<sup>\*1</sup> Energy efficiency class, calculation based on Eurovent

# Recooler - eRec-POWER, A+ <sup>\*1</sup>

## Technical specifications eRec-POWER 50

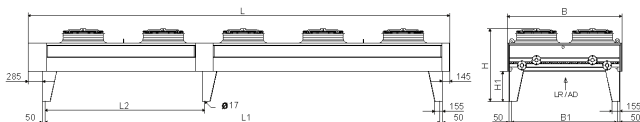
Performance data	
Recooler capacity	up to 200 kW
Recooling medium	ethylene glycol 34%
Water temperature inlet/outlet	31.3/25 °C
Nominal volume flow	29.5 m <sup>3</sup> /h
Max. operating pressure	4 bar
Temperature air inlet/outlet	23.0/27.2 °C
Air flow	144,000 m <sup>3</sup> /h
Pressure loss at nominal volume flow	270 mbar

Ventilators	
Ventilators	10xEC Ventilators
Sound pressure level in 10 m	47 dB(A)

Weight	
Unladen weight	approx. 1,880 kg

Dimensions	
WxDxH	9,630 x 2,290 x 1,510 mm
Floor space required	22.05 m <sup>2</sup>

Power drawn/power connection	
Power drawn	5.5 kW
Power supply	400 V, 50 Hz



## Technical specifications eRec-POWER 60

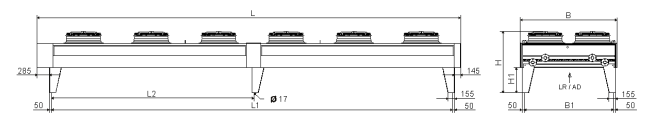
Performance data	
Recooler capacity	up to 240 kW
Recooling medium	ethylene glycol 34%
Water temperature inlet/outlet	31.3/25 °C
Nominal volume flow	35.4 m <sup>3</sup> /h
Max. operating pressure	4 bar
Temperature air inlet/outlet	23.0/26.9 °C
Air flow	183,000 m <sup>3</sup> /h
Pressure loss at nominal volume flow	260 mbar

Ventilators	
Ventilators	12xEC Ventilators
Sound pressure level in 10 m	46 dB(A)

Weight	
Unladen weight	approx. 2,240 kg

Dimensions	
WxDxH	11,830 x 2,290 x 1,510 mm
Floor space required	27.09 m <sup>2</sup>

Power drawn/power connection	
Power drawn	6.36 kW
Power supply	400 V, 50 Hz



<sup>\*1</sup> Energy efficiency class, calculation based on Eurovent

# Recooler - eRec-POWER, A+ <sup>\*1</sup>

## Technical specifications eRec-POWER 70

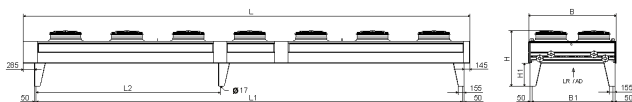
Performance data	
Recooler capacity	up to 280 kW
Recooling medium	ethylene glycol 34%
Water temperature inlet/outlet	31.3/25 °C
Nominal volume flow	41.3 m <sup>3</sup> /h
Max. operating pressure	4 bar
Temperature air inlet/outlet	23.0/27.6 °C
Air flow	185,000 m <sup>3</sup> /h
Pressure loss at nominal volume flow	260 mbar

Ventilators	
Ventilators	14xEC Ventilators
Sound pressure level in 10 m	48 dB(A)

Weight	
Unladen weight	approx. 2,127 kg

Dimensions	
WxDxH	11,630 x 2,290 x 1,510 mm
Floor space required	26.63 m <sup>2</sup>

Power drawn/power connection	
Power drawn	7.98 kW
Power supply	400 V, 50 Hz



## Technical specifications eRec-POWER 80

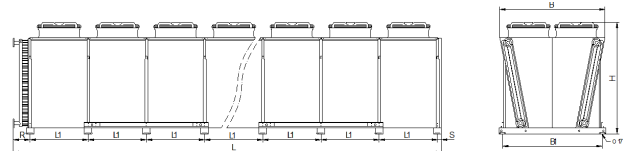
Performance data	
Recooler capacity	up to 320 kW
Recooling medium	ethylene glycol 34%
Water temperature inlet/outlet	31.3/25 °C
Nominal volume flow	47.2 m <sup>3</sup> /h
Max. operating pressure	4 bar
Temperature air inlet/outlet	23.0/26.8 °C
Air flow	252,000 m <sup>3</sup> /h
Pressure loss at nominal volume flow	170 mbar

Ventilators	
Ventilators	16xEC Ventilators
Sound pressure level in 10 m	49 dB(A)

Weight	
Unladen weight	approx. 3,260 kg

Dimensions	
WxDxH	10,095 x 2,370 x 2,300 mm
Floor space required	23.93 m <sup>2</sup>

Power drawn/power connection	
Power drawn	9.12 kW
Power supply	400 V, 50 Hz



<sup>\*1</sup> Energy efficiency class, calculation based on Eurovent



# Recooler - eRec-POWER, A++<sup>\*1</sup> - with spray system

## Technical specifications eRec-POWER 10 WW

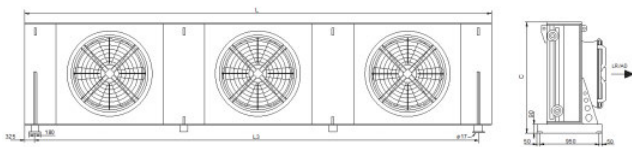
Performance data	
Recooler capacity	up to 40 kW
Recooling medium	ethylene glycol 34%
Water temperature inlet/outlet	31.3/25 °C
Nominal volume flow	5.9 m <sup>3</sup> /h
Max. operating pressure	4 bar
Water consumption	max. 6 m <sup>3</sup> /year
Temperature air inlet/outlet	23.0/26.2 °C
Air flow	37,000 m <sup>3</sup> /h
Pressure loss at nominal volume flow	220 mbar

Ventilators	
Ventilators	03xEC Ventilators
Sound pressure level in 10 m	36 dB(A)

Weight	
Unladen weight	approx. 612 kg

Dimensions	
WxDxH	6,130 x 1,050 x 1,260 mm
Floor space required	6.44 m <sup>2</sup>

Power drawn/power connection	
Power drawn	0.78 kW
Power supply	230 V, 50 Hz



## Technical specifications eRec-POWER 20 WW

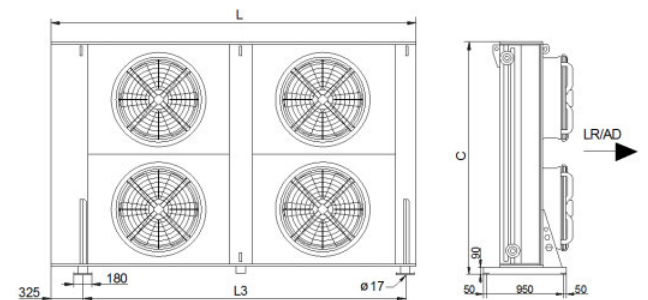
Performance data	
Recooler capacity	up to 80 kW
Recooling medium	ethylene glycol 34%
Water temperature inlet/outlet	31.3/25 °C
Nominal volume flow	11.8 m <sup>3</sup> /h
Max. operating pressure	4 bar
Water consumption	max. 9 m <sup>3</sup> /year
Temperature air inlet/outlet	23.0/28.0 °C
Air flow	48,000 m <sup>3</sup> /h
Pressure loss at nominal volume flow	230 mbar

Ventilators	
Ventilators	04xEC Ventilators
Sound pressure level in 10 m	37 dB(A)

Weight	
Unladen weight	approx. 841 kg

Dimensions	
WxDxH	5,030 x 1,050 x 2,380 mm
Floor space required	5.28 m <sup>2</sup>

Power drawn/power connection	
Power drawn	1.04 kW
Power supply	230 V, 50 Hz



<sup>\*1</sup> Energy efficiency class, calculation based on Eurovent

# Recooler - eRec-POWER, A+ <sup>\*1</sup> - with spray system

## Technical specifications eRec-POWER 30 WW

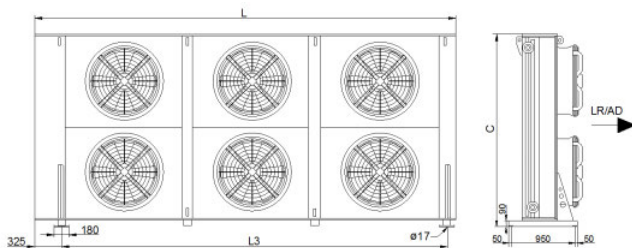
Performance data	
Recooler capacity	up to 120 kW
Recooling medium	ethylene glycol 34%
Water temperature inlet/outlet	31.3/25 °C
Nominal volume flow	17.7 m <sup>3</sup> /h
Max. operating pressure	4 bar
Water consumption	max. 12 m <sup>3</sup> /year
Temperature air inlet/outlet	23.0/27.1 °C
Air flow	89,000 m <sup>3</sup> /h
Pressure loss at nominal volume flow	180 mbar

Ventilators	
Ventilators	06xEC Ventilators
Sound pressure level in 10 m	45 dB(A)

Weight	
Unladen weight	approx. 1,150 kg

Dimensions	
WxDxH	6,130 x 1,050 x 2,380 mm
Floor space required	6.43 m <sup>2</sup>

Power drawn/power connection	
Power drawn	3.24 kW
Power supply	400 V, 50 Hz



## Technical specifications eRec-POWER 40 WW

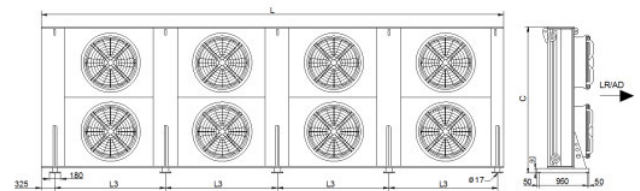
Performance data	
Recooler capacity	up to 160 kW
Recooling medium	ethylene glycol 34%
Water temperature inlet/outlet	31.3/25 °C
Nominal volume flow	23.6 m <sup>3</sup> /h
Max. operating pressure	4 bar
Water consumption	max. 15 m <sup>3</sup> /year
Temperature air inlet/outlet	23.0/27.2 °C
Air flow	115,000 m <sup>3</sup> /h
Pressure loss at nominal volume flow	180 mbar

Ventilators	
Ventilators	08xEC Ventilators
Sound pressure level in 10 m	45 dB(A)

Weight	
Unladen weight	approx. 1,760 kg

Dimensions	
WxDxH	9,630 x 1,050 x 2,380 mm
Floor space required	10.11 m <sup>2</sup>

Power drawn/power connection	
Power drawn	3.68 kW
Power supply	400 V, 50 Hz



<sup>\*1</sup> Energy efficiency class, calculation based on Eurovent

# Recooler - eRis

## Technical specifications eRis 10

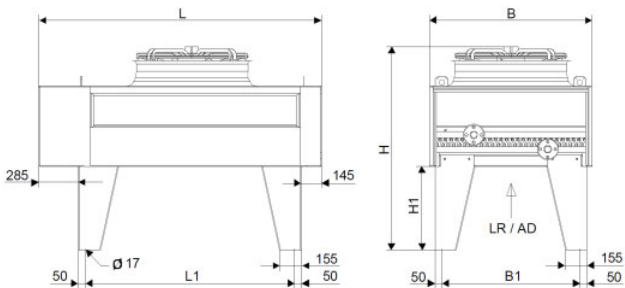
Performance data	
Recooler capacity	up to 29 kW
Recooling medium	ethylene glycol 34%
Water temperature inlet/outlet	30.6/25 °C
Nominal volume flow	4.8 m <sup>3</sup> /h
Max. operating pressure	4 bar
Temperature air inlet/outlet	21.5/27.6 °C
Air flow	14,000 m <sup>3</sup> /h
Pressure loss at nominal volume flow	300 mbar

Ventilators	
Ventilators	01xEC Ventilators
Sound pressure level in 10 m	35 dB(A)

Weight	
Unladen weight	approx. 340 kg

Dimensions	
WxDxH	2,330 x 1,490 x 1,510 mm
Floor space required	3.47 m <sup>2</sup>

Power drawn/power connection	
Power drawn	0.41 kW
Power supply	230 V, 50 Hz



## Technical specifications eRis 20

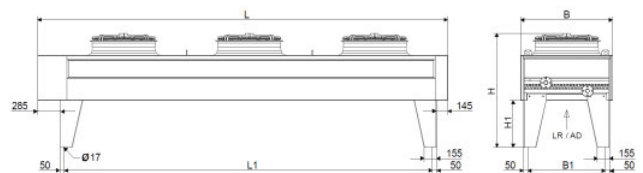
Performance data	
Recooler capacity	up to 58 kW
Recooling medium	ethylene glycol 34%
Water temperature inlet/outlet	30.6/25 °C
Nominal volume flow	9.6 m <sup>3</sup> /h
Max. operating pressure	4 bar
Temperature air inlet/outlet	21.5/26.8 °C
Air flow	33,000 m <sup>3</sup> /h
Pressure loss at nominal volume flow	260 mbar

Ventilators	
Ventilators	03xEC Ventilators
Sound pressure level in 10 m	37 dB(A)

Weight	
Unladen weight	approx. 620 kg

Dimensions	
WxDxH	5,230 x 1,170 x 1,510 mm
Floor space required	6.12 m <sup>2</sup>

Power drawn/power connection	
Power drawn	0.9 kW
Power supply	230 V, 50 Hz



# Recooler - eRis

## Technical specifications eRis 30

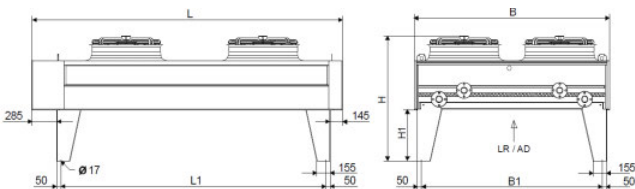
Performance data	
Recooler capacity	up to 87 kW
Recooling medium	ethylene glycol 34%
Water temperature inlet/outlet	30.6/25 °C
Nominal volume flow	14.4 m <sup>3</sup> /h
Max. operating pressure	4 bar
Temperature air inlet/outlet	21.5/25.8 °C
Air flow	58,000 m <sup>3</sup> /h
Pressure loss at nominal volume flow	330 mbar

Ventilators	
Ventilators	04xEC Ventilators
Sound pressure level in 10 m	44 dB(A)

Weight	
Unladen weight	approx. 700 kg

Dimensions	
WxDxH	3,630 x 2,290 x 1,510 mm
Floor space required	8.31 m <sup>2</sup>

Power drawn/power connection	
Power drawn	2.36 kW
Power supply	400 V, 50 Hz



## Technical specifications eRis 40

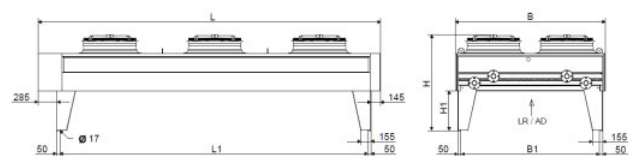
Performance data	
Recooler capacity	up to 116 kW
Recooling medium	ethylene glycol 34%
Water temperature inlet/outlet	30.6/25 °C
Nominal volume flow	19.2 m <sup>3</sup> /h
Max. operating pressure	4 bar
Temperature air inlet/outlet	21.5/25.3 °C
Air flow	92,000 m <sup>3</sup> /h
Pressure loss at nominal volume flow	420 mbar

Ventilators	
Ventilators	06xEC Ventilators
Sound pressure level in 10 m	45 dB(A)

Weight	
Unladen weight	approx. 966 kg

Dimensions	
WxDxH	5,230 x 2,290 x 1,510 mm
Floor space required	11.98 m <sup>2</sup>

Power drawn/power connection	
Power drawn	3.18 kW
Power supply	400 V, 50 Hz



# Recooler - eRis

## Technical specifications eRis 50

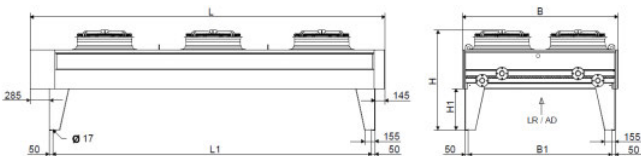
Performance data	
Recooler capacity	up to 145 kW
Recooling medium	ethylene glycol 34%
Water temperature inlet/outlet	30.6/25 °C
Nominal volume flow	24.0 m <sup>3</sup> /h
Max. operating pressure	4 bar
Temperature air inlet/outlet	21.5/26.3 °C
Air flow	92,000 m <sup>3</sup> /h
Pressure loss at nominal volume flow	620 mbar

Ventilators	
Ventilators	06xEC Ventilators
Sound pressure level in 10 m	46 dB(A)

Weight	
Unladen weight	approx. 1,067 kg

Dimensions	
WxDxH	5,230 x 2,290 x 1,510 mm
Floor space required	11.97 m <sup>2</sup>

Power drawn/power connection	
Power drawn	3.66 kW
Power supply	400 V, 50 Hz



## Technical specifications eRis 60

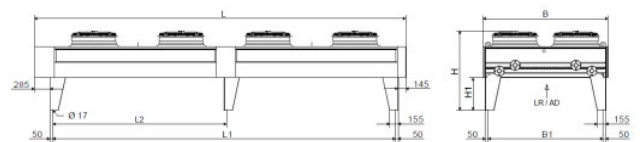
Performance data	
Recooler capacity	up to 174 kW
Recooling medium	ethylene glycol 34%
Water temperature inlet/outlet	30.6/25 °C
Nominal volume flow	28.8 m <sup>3</sup> /h
Max. operating pressure	4 bar
Temperature air inlet/outlet	21.5/25.6 °C
Air flow	130,000 m <sup>3</sup> /h
Pressure loss at nominal volume flow	400 mbar

Ventilators	
Ventilators	08xEC Ventilators
Sound pressure level in 10 m	47 dB(A)

Weight	
Unladen weight	approx. 1,388 kg

Dimensions	
WxDxH	8,030 x 2,290 x 1,510 mm
Floor space required	18.39 m <sup>2</sup>

Power drawn/power connection	
Power drawn	4.4 kW
Power supply	400 V, 50 Hz



# Recooler - eRis

## Technical specifications eRis 70

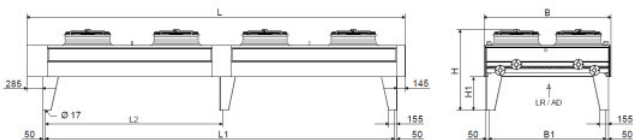
Performance data	
Recooler capacity	up to 203 kW
Recooling medium	ethylene glycol 34%
Water temperature inlet/outlet	30.6/25 °C
Nominal volume flow	33.6 m <sup>3</sup> /h
Max. operating pressure	4 bar
Temperature air inlet/outlet	21.5/26.5 °C
Air flow	124,000 m <sup>3</sup> /h
Pressure loss at nominal volume flow	320 mbar

Ventilators	
Ventilators	08xEC Ventilators
Sound pressure level in 10 m	46 dB(A)

Weight	
Unladen weight	approx. 1,632 kg

Dimensions	
WxDxH	8,030 x 2,290 x 1,510 mm
Floor space required	18.39 m <sup>2</sup>

Power drawn/power connection	
Power drawn	4.56 kW
Power supply	400 V, 50 Hz



## Technical specifications eRis 80

Performance data	
Recooler capacity	up to 232 kW
Recooling medium	ethylene glycol 34%
Water temperature inlet/outlet	30.6/25 °C
Nominal volume flow	38.4 m <sup>3</sup> /h
Max. operating pressure	4 bar
Temperature air inlet/outlet	21.5/26 °C
Air flow	156,000 m <sup>3</sup> /h
Pressure loss at nominal volume flow	250 mbar

Ventilators	
Ventilators	10xEC Ventilators
Sound pressure level in 10 m	47 dB(A)

Weight	
Unladen weight	approx. 1,725 kg

Dimensions	
WxDxH	9,930 x 2,290 x 1,510 mm
Floor space required	22.74 m <sup>2</sup>

Power drawn/power connection	
Power drawn	5.7 kW
Power supply	400 V, 50 Hz



# Recooler- eRis - with spray system

## Technical specifications eRis 10 WV

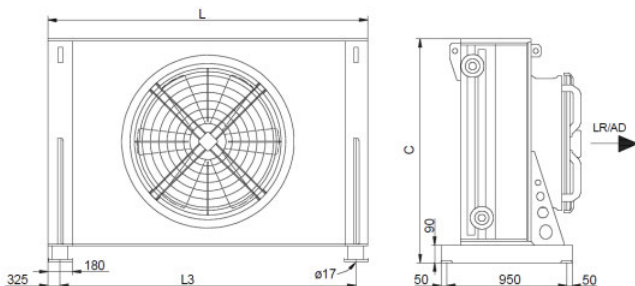
Performance data	
Recooler capacity	up to 29 kW
Recooling medium	ethylene glycol 34%
Water temperature inlet/outlet	30.6/25 °C
Nominal volume flow	4.8 m <sup>3</sup> /h
Max. operating pressure	4 bar
Water consumption	max. 6 m <sup>3</sup> /year
Temperature air inlet/outlet	21.5/26.7 °C
Air flow	17,000 m <sup>3</sup> /h
Pressure loss at nominal volume flow	200 mbar

Ventilators	
Ventilators	01xEC Ventilators
Sound pressure level in 10 m	37 dB(A)

Weight	
Unladen weight	approx. 355 kg

Dimensions	
WxDxH	2,730 x 1,050 x 1,580 mm
Floor space required	2.87 m <sup>2</sup>

Power drawn/power connection	
Power drawn	0.58 kW
Power supply	230 V, 50 Hz



## Technical specifications eRis 20 WV

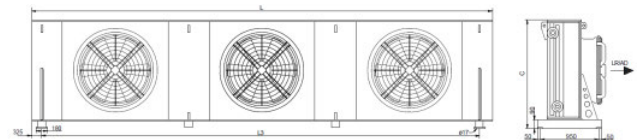
Performance data	
Recooler capacity	up to 58 kW
Recooling medium	ethylene glycol 34%
Water temperature inlet/outlet	30.6/25 °C
Nominal volume flow	9.6 m <sup>3</sup> /h
Max. operating pressure	4 bar
Water consumption	max. 9 m <sup>3</sup> /year
Temperature air inlet/outlet	21.5/26.5 °C
Air flow	35,000 m <sup>3</sup> /h
Pressure loss at nominal volume flow	310 mbar

Ventilators	
Ventilators	03xEC Ventilators
Sound pressure level in 10 m	36 dB(A)

Weight	
Unladen weight	approx. 630 kg

Dimensions	
WxDxH	6,130 x 1,050 x 1,260 mm
Floor space required	6.44 m <sup>2</sup>

Power drawn/power connection	
Power drawn	0.93 kW
Power supply	230 V, 50 Hz



# Recooler - eRis - with spray system

## Technical specifications eRis 30 WV

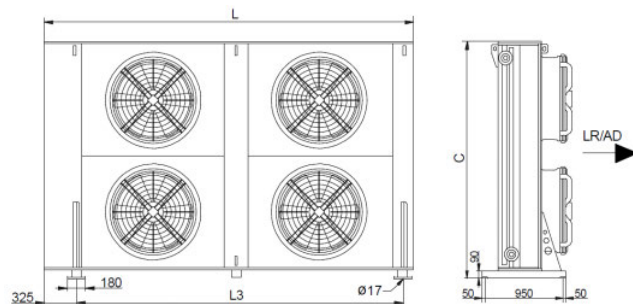
Performance data	
Recooler capacity	up to 87 kW
Recooling medium	ethylene glycol 34%
Water temperature inlet/outlet	30.6/25 °C
Nominal volume flow	14.4 m <sup>3</sup> /h
Max. operating pressure	4 bar
Water consumption	max. 12 m <sup>3</sup> /year
Temperature air inlet/outlet	21.5/25.4 °C
Air flow	67,000 m <sup>3</sup> /h
Pressure loss at nominal volume flow	250 mbar

Ventilators	
Ventilators	04xEC Ventilators
Sound pressure level in 10 m	45 dB(A)

Weight	
Unladen weight	approx. 841 kg

Dimensions	
WxDxH	5,030 x 1,050 x 2,380 mm
Floor space required	5.28 m <sup>2</sup>

Power drawn/power connection	
Power drawn	1.96 kW
Power supply	400 V, 50 Hz



## Technical specifications eRis 40 WV

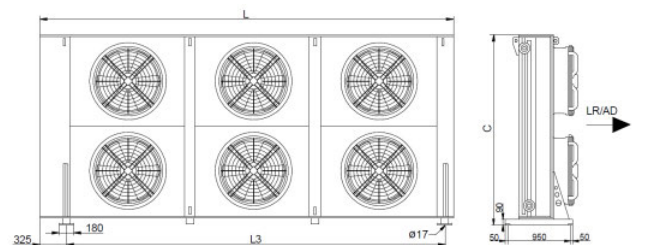
Performance data	
Recooler capacity	up to 116 kW
Recooling medium	ethylene glycol 34%
Water temperature inlet/outlet	30.6/25 °C
Nominal volume flow	19.2 m <sup>3</sup> /h
Max. operating pressure	4 bar
Water consumption	max. 15 m <sup>3</sup> /year
Temperature air inlet/outlet	21.5/25.4 °C
Air flow	91,000 m <sup>3</sup> /h
Pressure loss at nominal volume flow	420 mbar

Ventilators	
Ventilators	06xEC Ventilators
Sound pressure level in 10 m	46 dB(A)

Weight	
Unladen weight	approx. 966 kg

Dimensions	
WxDxH	5,230 x 1,050 x 2,380 mm
Floor space required	5.49 m <sup>2</sup>

Power drawn/power connection	
Power drawn	3.24 kW
Power supply	400 V, 50 Hz





# Recooler - eRis-POWER

## Technical specifications eRis-POWER 10

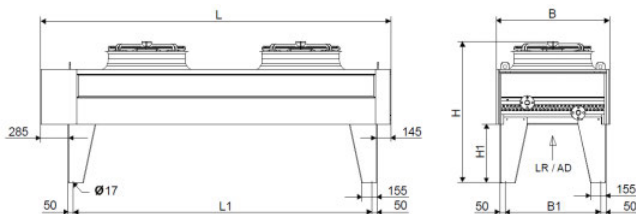
Performance data	
Recooler capacity	up to 40 kW
Recooling medium	ethylene glycol 34%
Water temperature inlet/outlet	31.3/25 °C
Nominal volume flow	5.9 m <sup>3</sup> /h
Max. operating pressure	4 bar
Temperature air inlet/outlet	21.5/27.0 °C
Air flow	22,000 m <sup>3</sup> /h
Pressure loss at nominal volume flow	250 mbar

Ventilators	
Ventilators	02xEC Ventilators
Sound pressure level in 10 m	35 dB(A)

Weight	
Unladen weight	approx. 440 kg

Dimensions	
WxDxH	3,630 x 1,170 x 1,510 mm
Floor space required	4.25 m <sup>2</sup>

Power drawn/power connection	
Power drawn	0.56 kW
Power supply	230 V, 50 Hz



## Technical specifications eRis-POWER 20

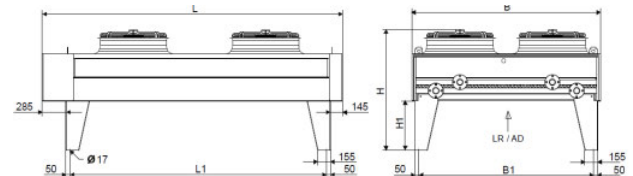
Performance data	
Recooler capacity	up to 80 kW
Recooling medium	ethylene glycol 34%
Water temperature inlet/outlet	31.3/25 °C
Nominal volume flow	11.8 m <sup>3</sup> /h
Max. operating pressure	4 bar
Temperature air inlet/outlet	21.5/27.0 °C
Air flow	44,000 m <sup>3</sup> /h
Pressure loss at nominal volume flow	240 mbar

Ventilators	
Ventilators	04xEC Ventilators
Sound pressure level in 10 m	38 dB(A)

Weight	
Unladen weight	approx. 770 kg

Dimensions	
WxDxH	3,630 x 2,290 x 1,510 mm
Floor space required	8.31 m <sup>2</sup>

Power drawn/power connection	
Power drawn	1.12 kW
Power supply	230 V, 50 Hz



# Recooler - eRis-POWER

## Technical specifications eRis-POWER 30

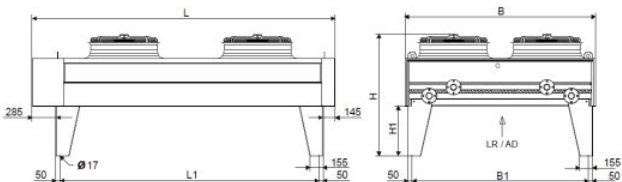
Performance data	
Recooler capacity	up to 120 kW
Recooling medium	ethylene glycol 34%
Water temperature inlet/outlet	31.3/25 °C
Nominal volume flow	17.7 m <sup>3</sup> /h
Max. operating pressure	4 bar
Temperature air inlet/outlet	21.5/26.9 °C
Air flow	64,000 m <sup>3</sup> /h
Pressure loss at nominal volume flow	220 mbar

Ventilators	
Ventilators	04xEC Ventilators
Sound pressure level in 10 m	44 dB(A)

Weight	
Unladen weight	approx. 1,000 kg

Dimensions	
WxDxH	5,030 x 2,290 x 1,510 mm
Floor space required	11.52 m <sup>2</sup>

Power drawn/power connection	
Power drawn	2.08 kW
Power supply	400 V, 50 Hz



## Technical specifications eRis-POWER 40

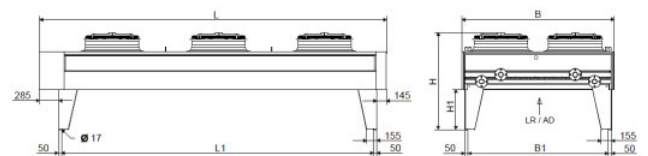
Performance data	
Recooler capacity	up to 160 kW
Recooling medium	ethylene glycol 34%
Water temperature inlet/outlet	31.3/25 °C
Nominal volume flow	23.6 m <sup>3</sup> /h
Max. operating pressure	4 bar
Temperature air inlet/outlet	21.5/26.5 °C
Air flow	96,000 m <sup>3</sup> /h
Pressure loss at nominal volume flow	220 mbar

Ventilators	
Ventilators	06xEC Ventilators
Sound pressure level in 10 m	45 dB(A)

Weight	
Unladen weight	approx. 1,325 kg

Dimensions	
WxDxH	7,330 x 2,290 x 1,510 mm
Floor space required	16.79 m <sup>2</sup>

Power drawn/power connection	
Power drawn	3.12 kW
Power supply	400 V, 50 Hz



# Recooler - eRis-POWER

## Technical specifications eRis-POWER 50

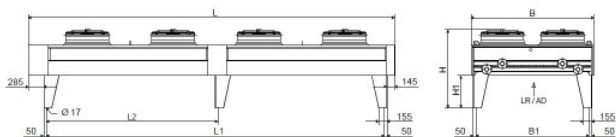
Performance data	
Recooler capacity	up to 200 kW
Recooling medium	ethylene glycol 34%
Water temperature inlet/outlet	31.3/25 °C
Nominal volume flow	29.5 m <sup>3</sup> /h
Max. operating pressure	4 bar
Temperature air inlet/outlet	21.5/26.0 °C
Air flow	134,000 m <sup>3</sup> /h
Pressure loss at nominal volume flow	250 mbar

Ventilators	
Ventilators	08xEC Ventilators
Sound pressure level in 10 m	45 dB(A)

Weight	
Unladen weight	approx. 1,630 kg

Dimensions	
WxDxH	9,630 x 2,290 x 1,510 mm
Floor space required	22.05 m <sup>2</sup>

Power drawn/power connection	
Power drawn	4.32 kW
Power supply	400 V, 50 Hz



## Technical specifications eRis-POWER 60

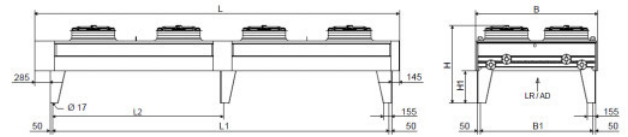
Performance data	
Recooler capacity	up to 240 kW
Recooling medium	ethylene glycol 34%
Water temperature inlet/outlet	31.3/25 °C
Nominal volume flow	35.4 m <sup>3</sup> /h
Max. operating pressure	4 bar
Temperature air inlet/outlet	21.5/27.1 °C
Air flow	129,000 m <sup>3</sup> /h
Pressure loss at nominal volume flow	210 mbar

Ventilators	
Ventilators	08xEC Ventilators
Sound pressure level in 10 m	46 dB(A)

Weight	
Unladen weight	approx. 1,589 kg

Dimensions	
WxDxH	9,630 x 2,290 x 1,510 mm
Floor space required	22.05 m <sup>2</sup>

Power drawn/power connection	
Power drawn	4.16 kW
Power supply	400 V, 50 Hz



# Recooler - eRis-POWER

## Technical specifications eRis-POWER 70

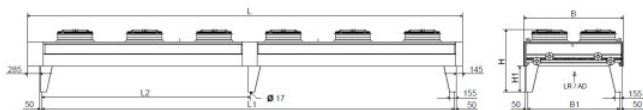
Performance data	
Recooler capacity	up to 280 kW
Recooling medium	ethylene glycol 34%
Water temperature inlet/outlet	31.3/25 °C
Nominal volume flow	41.3 m <sup>3</sup> /h
Max. operating pressure	4 bar
Temperature air inlet/outlet	21.5/26.3 °C
Air flow	174,000 m <sup>3</sup> /h
Pressure loss at nominal volume flow	290 mbar

Ventilators	
Ventilators	12xEC Ventilators
Sound pressure level in 10 m	48 dB(A)

Weight	
Unladen weight	approx. 1,837 kg

Dimensions	
WxDxH	10,030 x 2,290 x 1,510 mm
Floor space required	22.97 m <sup>2</sup>

Power drawn/power connection	
Power drawn	6.6 kW
Power supply	400 V, 50 Hz



## Technical specifications eRis-POWER 80

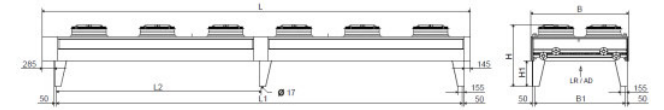
Performance data	
Recooler capacity	up to 320 kW
Recooling medium	ethylene glycol 34%
Water temperature inlet/outlet	31.3/25 °C
Nominal volume flow	47.2 m <sup>3</sup> /h
Max. operating pressure	4 bar
Temperature air inlet/outlet	21.5/27.5 °C
Air flow	159,000 m <sup>3</sup> /h
Pressure loss at nominal volume flow	250 mbar

Ventilators	
Ventilators	12xEC Ventilators
Sound pressure level in 10 m	49 dB(A)

Weight	
Unladen weight	approx. 2,339 kg

Dimensions	
WxDxH	10,030 x 2,290 x 1,510 mm
Floor space required	22.97 m <sup>2</sup>

Power drawn/power connection	
Power drawn	6.96 kW
Power supply	400 V, 50 Hz



# Recooler - eRis-POWER - with spray system

## Technical specifications eRis-POWER 10 WW

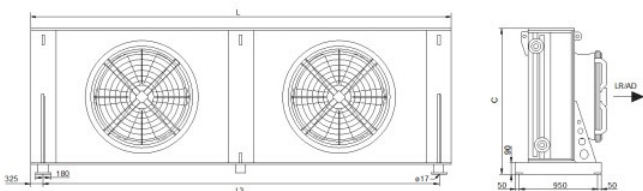
Performance data	
Recooler capacity	up to 40 kW
Recooling medium	ethylene glycol 34%
Water temperature inlet/outlet	31.3/25 °C
Nominal volume flow	5.9 m <sup>3</sup> /h
Max. operating pressure	4 bar
Water consumption	max. 6 m <sup>3</sup> /year
Temperature air inlet/outlet	21.5/26.1 °C
Air flow	26,000 m <sup>3</sup> /h
Pressure loss at nominal volume flow	210 mbar

Ventilators	
Ventilators	02xEC Ventilators
Sound pressure level in 10 m	36 dB(A)

Weight	
Unladen weight	approx. 425 kg

Dimensions	
WxDxH	5,030 x 1,050 x 1,260 mm
Floor space required	5.28 m <sup>2</sup>

Power drawn/power connection	
Power drawn	0.5 kW
Power supply	230 V, 50 Hz



## Technical specifications eRis-POWER 20 WW

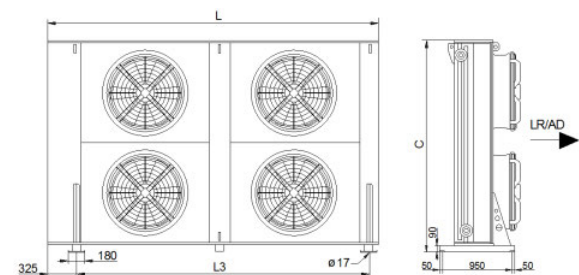
Performance data	
Recooler capacity	up to 80 kW
Recooling medium	ethylene glycol 34%
Water temperature inlet/outlet	31.3/25 °C
Nominal volume flow	11.8 m <sup>3</sup> /h
Max. operating pressure	4 bar
Water consumption	max. 9 m <sup>3</sup> /year
Temperature air inlet/outlet	21.5/27.0 °C
Air flow	44,000 m <sup>3</sup> /h
Pressure loss at nominal volume flow	280 mbar

Ventilators	
Ventilators	04xEC Ventilators
Sound pressure level in 10 m	36 dB(A)

Weight	
Unladen weight	approx. 771 kg

Dimensions	
WxDxH	4,230 x 1,050 x 2,380 mm
Floor space required	4.44 m <sup>2</sup>

Power drawn/power connection	
Power drawn	0.88 kW
Power supply	230 V, 50 Hz



# Recooler - eRis-POWER - with spray system

## Technical specifications eRis-POWER 30 WW

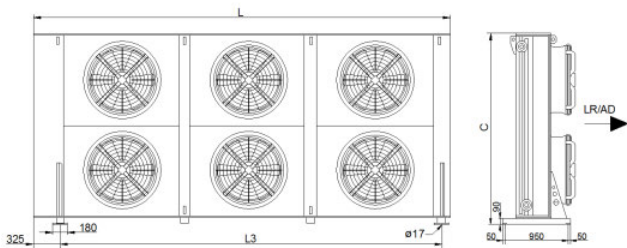
Performance data	
Recooler capacity	up to 120 kW
Recooling medium	ethylene glycol 34%
Water temperature inlet/outlet	31.3/25 °C
Nominal volume flow	17.7 m <sup>3</sup> /h
Max. operating pressure	4 bar
Water consumption	max. 12 m <sup>3</sup> /year
Temperature air inlet/outlet	21.5/26.3 °C
Air flow	74,000 m <sup>3</sup> /h
Pressure loss at nominal volume flow	230 mbar

Ventilators	
Ventilators	06xEC Ventilators
Sound pressure level in 10 m	43 dB(A)

Weight	
Unladen weight	approx. 980 kg

Dimensions	
WxDxH	5,230 x 1,050 x 2,380 mm
Floor space required	5,49 m <sup>2</sup>

Power drawn/power connection	
Power drawn	2.34 kW
Power supply	400 V, 50 Hz



## Technical specifications eRis-POWER 40 WW

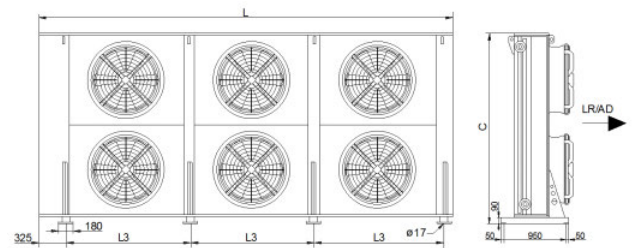
Performance data	
Recooler capacity	up to 160 kW
Recooling medium	ethylene glycol 34%
Water temperature inlet/outlet	31.3/25 °C
Nominal volume flow	23.6 m <sup>3</sup> /h
Max. operating pressure	4 bar
Water consumption	max. 15 m <sup>3</sup> /year
Temperature air inlet/outlet	21.5/27.0 °C
Air flow	88,000 m <sup>3</sup> /h
Pressure loss at nominal volume flow	140 mbar

Ventilators	
Ventilators	06xEC Ventilators
Sound pressure level in 10 m	45 dB(A)

Weight	
Unladen weight	approx. 1,076 kg

Dimensions	
WxDxH	7,330 x 1,050 x 2,380 mm
Floor space required	7.70 m <sup>2</sup>

Power drawn/power connection	
Power drawn	2.82 kW
Power supply	400 V, 50 Hz



# SorTech System Separation

## More than a plate heat exchanger

To bind the eCoo, eZea or the plant network to an existing, individual or planned recoler / heat sink, SorTech recommends a system separation:

### System Separation ST-G-X\*0

for a **closed** recoler / heat sink circuit (e.g. glycol operated closed recoler)

Consists of: **one** tuned to the adsorption chiller aggregate **plate heat exchanger**, **copper pipes**, **2 security groups**, **2** matched to the tap water **expansion tanks** and designed for the secondary circuit **high efficiency pump** (glandless pump).

### System Separation ST-O-X\*0

for an **open** recoler / heat sink circuit (e.g. operation in combination with wet cooling tower)

Consists of: **one** tuned to the adsorption chiller aggregate **plate heat exchanger**, **copper pipes**, **1 security group**, **1** matched to the tap water **expansion tank** and designed for the secondary circuit **high efficiency pump** (glanded pump).

### System Separation ST-B-X\*0

for an individual recoler / heat sink circuit (e.g. when using a water-glycol mixture)

Consists of: **one** tuned to the adsorption chiller aggregate **plate heat exchanger**, **copper pipes**, **1 security group** and **1** matched to the tap water **expansion tank**.

We offer fully connect units to be installed in the recooling circuit of the adsorption chiller aggregate.

\* X = {1,2,3,4}; 1 x System Separation 10 corresponds 1 x eCoo 2.0 | 10 IPS or eZea 10 IPS.

## System Separation

### Installation options

For an efficient installation it is necessary to choose a left- or right-sided system separation.

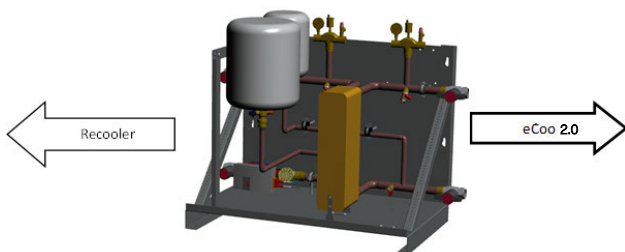


Figure 1: System separation (example: Typ ST-G-10 „left“)

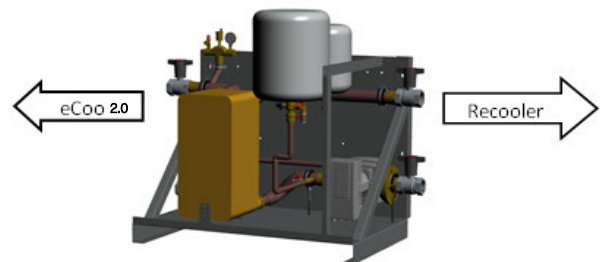


Figure 2: System separation (example: Typ ST-G-20 „right“)

# System Separation

More than a plate heat exchanger

## System separation ST-G-10

General Key Performance	
Fitting Dimensions	DN 32
Type of fitting	Inner thread
Max. operating pressure	4 bar

Key Performance towards the eCoo	
Nominal volume flow rate	5.1 m <sup>3</sup> /h
Pressure loss	170 mbar

Key Performance towards the recooler	
Nominal volume flow rate	5.9 m <sup>3</sup> /h
Available delivery head	760 mbar
Pressure loss	240 mbar

Weight	
Operational Weight	approx. 150 kg

Dimensions	
WxDxH	1,000 x 700 x 780 mm
Floor space required	0.7 m <sup>2</sup>

Power drawn/power connection	
Power drawn	max. 0.31 kW
Power supply	230 V, 50 Hz

## System separation ST-O-10

General Key Performance	
Fitting Dimensions	DN 32
Type of fitting	Inner thread
Max. operating pressure	4 bar

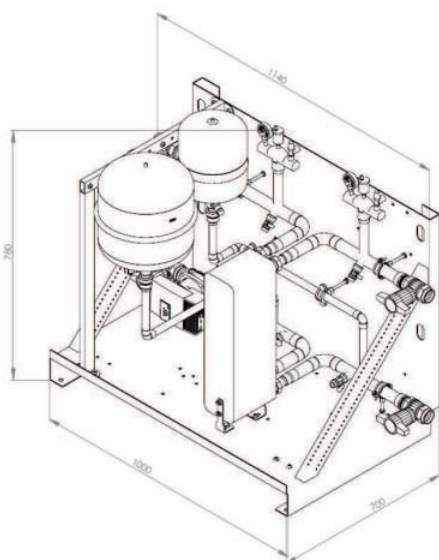
Key Performance towards the eCoo	
Nominal volume flow rate	5.1 m <sup>3</sup> /h
Pressure loss	170 mbar

Key Performance towards the recooler	
Nominal volume flow rate	5.1 m <sup>3</sup> /h
Available delivery head	725 mbar
Pressure loss	200 mbar

Weight	
Operational Weight	approx. 150 kg

Dimensions	
WxDxH	1,000 x 700 x 780 mm
Floor space required	0.7 m <sup>2</sup>

Power drawn/power connection	
Power drawn	max. 0.68 kW
Power supply	230 V, 50 Hz





# System Separation

More than a plate heat exchanger

## System separation ST-G-20

General Key Performance	
Fitting Dimensions	DN 50
Type of fitting	Inner thread
Max. operating pressure	4 bar

Key Performance towards the eCoo	
Nominal volume flow rate	10.2 m <sup>3</sup> /h
Pressure loss	107 mbar

Key Performance towards the recooler	
Nominal volume flow rate	11.8 m <sup>3</sup> /h
Available delivery head	678 mbar
Pressure loss	170 mbar

Weight	
Operational Weight	approx. 150 kg

Dimensions	
WxDxH	1,000 x 700 x 1,000 mm
Floor space required	0.7 m <sup>2</sup>

Power drawn/power connection	
Power drawn	max. 0.47 kW
Power supply	230 V, 50 Hz

## System separation ST-O-20

General Key Performance	
Fitting Dimensions	DN 50
Type of fitting	Inner thread
Max. operating pressure	4 bar

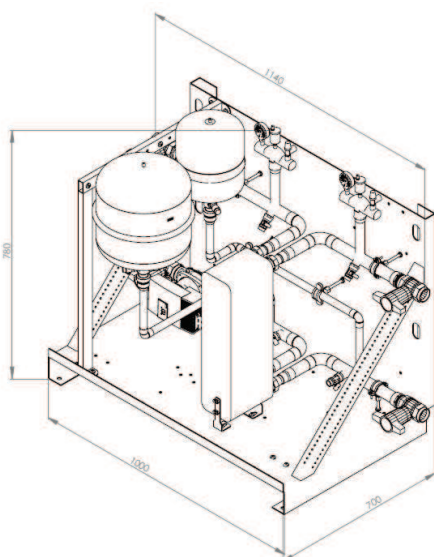
Key Performance towards the eCoo	
Nominal volume flow rate	10.2 m <sup>3</sup> /h
Pressure loss	107 mbar

Key Performance towards the recooler	
Nominal volume flow rate	10.2 m <sup>3</sup> /h
Available delivery head	593 mbar
Pressure loss	154 mbar

Weight	
Operational Weight	approx. 150 kg

Dimensions	
WxDxH	1,000 x 700 x 1,000 mm
Floor space required	0.7 m <sup>2</sup>

Power drawn/power connection	
Power drawn	max. 0.68 kW
Power supply	230 V, 50 Hz



# System Separation

More than a plate heat exchanger

## System separation ST-G-30

General Key Performance	
Fitting Dimensions	DN 65
Type of fitting	Flange (PN6)
Max. operating pressure	4 bar

Key Performance towards the eCoo	
Nominal volume flow rate	15.3 m <sup>3</sup> /h
Pressure loss	134 mbar

Key Performance towards the recoler	
Nominal volume flow rate	17.7 m <sup>3</sup> /h
Available delivery head	678 mbar
Pressure loss	186 mbar

Weight	
Operational Weight	approx. 226 kg

Dimensions	
WxDxH	1,200 x 840 x 960 mm
Floor space required	1.01 m <sup>2</sup>

Power drawn/power connection	
Power drawn	max. 0.8 kW
Power supply	230 V, 50 Hz

## System separation ST-O-30

General Key Performance	
Fitting Dimensions	DN 65
Type of fitting	Flange (PN6)
Max. operating pressure	4 bar

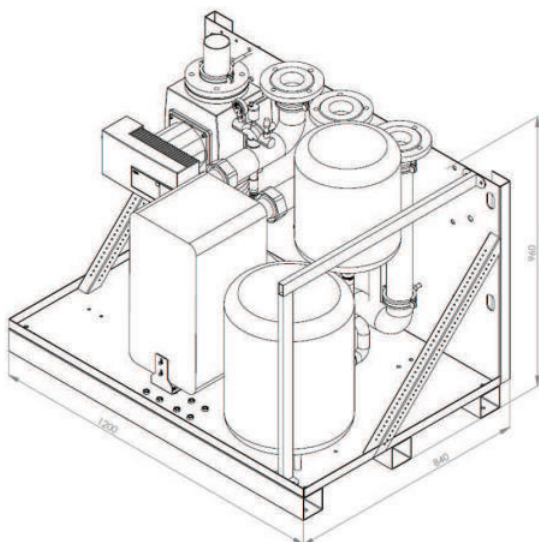
Key Performance towards the eCoo	
Nominal volume flow rate	15.3 m <sup>3</sup> /h
Pressure loss	134 mbar

Key Performance towards the recoler	
Nominal volume flow rate	15.3 m <sup>3</sup> /h
Available delivery head	1,047 mbar
Pressure loss	173 mbar

Weight	
Operational Weight	approx. 226 kg

Dimensions	
WxDxH	1,200 x 840 x 960 mm
Floor space required	1.01 m <sup>2</sup>

Power drawn/power connection	
Power drawn	max. 2.28 kW
Power supply	230 V, 50 Hz



# System Separation

More than a plate heat exchanger

## System separation ST-G-40

General Key Performance	
Fitting Dimensions	DN 65
Type of fitting	Flange (PN6)
Max. operating pressure	4 bar

Key Performance towards the eCoo	
Nominal volume flow rate	20.4 m <sup>3</sup> /h
Pressure loss	159 mbar

Key Performance towards the recoler	
Nominal volume flow rate	23.6 m <sup>3</sup> /h
Available delivery head	967 mbar
Pressure loss	232 mbar

Weight	
Operational Weight	approx. 250 kg

Dimensions	
WxDxH	1,200 x 840 x 960 mm
Floor space required	1.01 m <sup>2</sup>

Power drawn/power connection	
Power drawn	max. 1.55 kW
Power supply	230 V, 50 Hz

## System separation ST-O-40

General Key Performance	
Fitting Dimensions	DN 65
Type of fitting	Flange (PN6)
Max. operating pressure	4 bar

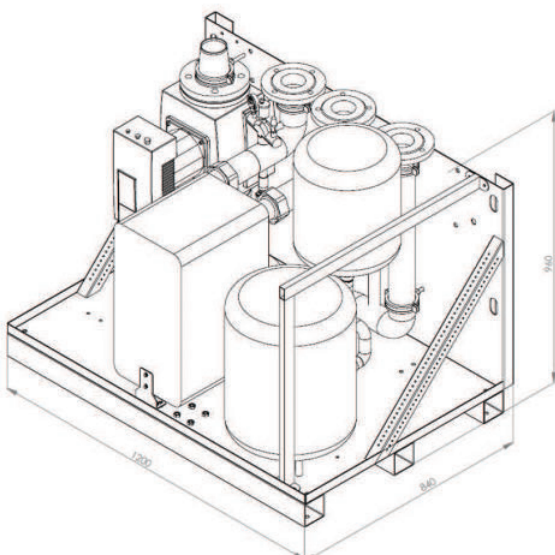
Key Performance towards the eCoo	
Nominal volume flow rate	20.4 m <sup>3</sup> /h
Pressure loss	159 mbar

Key Performance towards the recoler	
Nominal volume flow rate	20.4 m <sup>3</sup> /h
Available delivery head	1,233 mbar
Pressure loss	206 mbar

Weight	
Operational Weight	approx. 250 kg

Dimensions	
WxDxH	1,200 x 840 x 960 mm
Floor space required	1.01 m <sup>2</sup>

Power drawn/power connection	
Power drawn	max. 4.35 kW
Power supply	380 V, 50 Hz



SorTech AG

Zscherbener Landstraße 17  
06126 Halle (Saale)  
Germany

Fon: +49 (0) 345 27 98 09-0  
Fax: +49 (0) 345 27 98 09-98

[www.sortech.de](http://www.sortech.de)  
E-Mail: [office@sortech.de](mailto:office@sortech.de)

Sponsoring Member

