



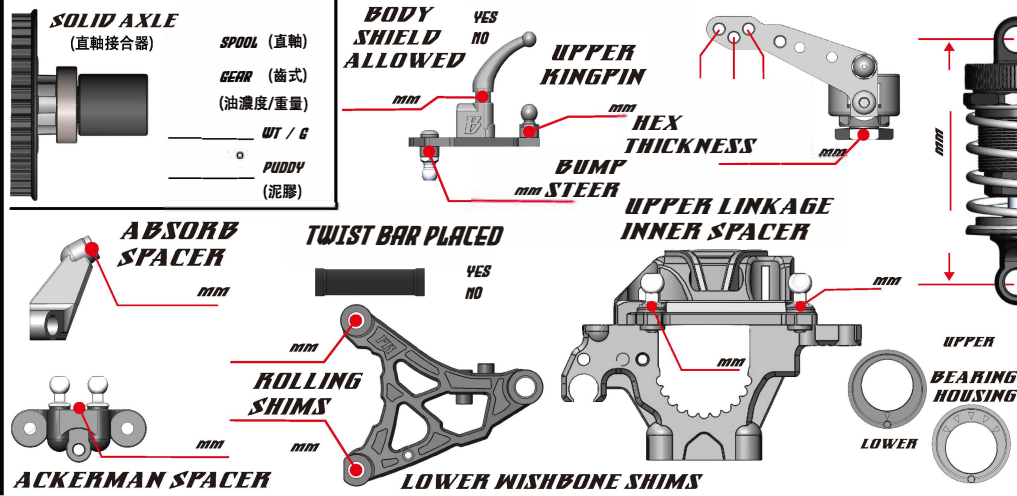
1/18 SCALE RADIO CONTROL TOURING CHASSIS SETUP SHEET

DRIVER
(賽員)

DATE

FINAL POSITION	BEST LAP (最佳圈數)	
CIRCUIT	CLASS (組別)	
<input type="checkbox"/> PLACE (地點) <i>INDOOR</i> (室內) <i>OUTDOOR</i> (室外)		
<input type="checkbox"/> TRACK (場地) <i>ASPHALT</i> (瀝青) <i>CARPET</i> (地毯)		
<input type="checkbox"/> TRACTION (抓著力) <i>HIGH</i> (高) <i>MEDIUM</i> (中) <i>LOW</i> (低)		
<input type="checkbox"/> TRACK CONDITION (場地狀況) <i>FLAT</i> (平坦) <i>BUMPY</i> (顛簸)		
	BLINKY	OPEN STOCK
		MODIFY

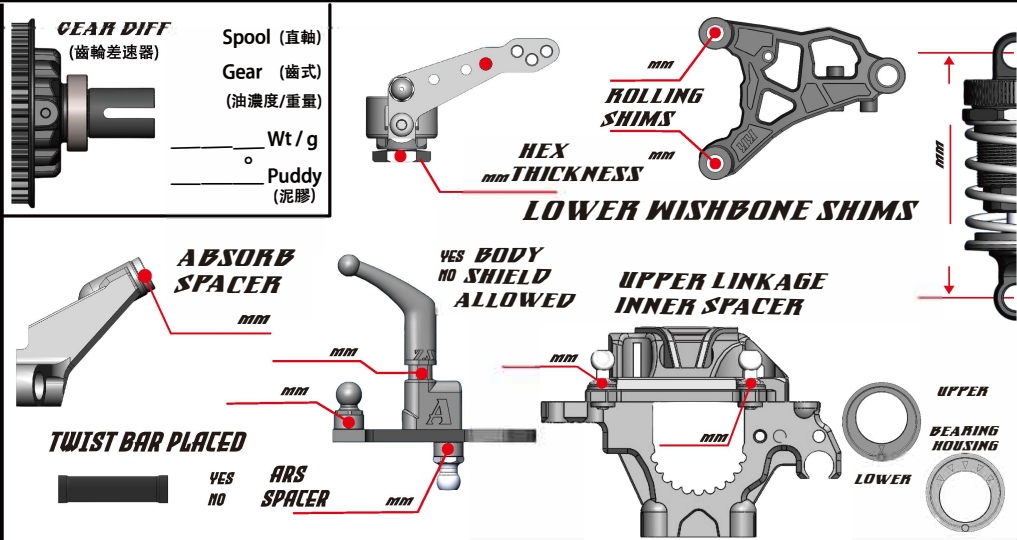
FRONT
(前方)



ABSORBER 減震器
OIL (油濃度) #
PISTON (活塞) 2 3 4 HOLES
SPRING (彈簧)
BLADDER FORM (油壓頂部海綿) YES NO
REBOUND (彈芯) %
CASTER (傾角) °

RIDE HEIGHT (離地距) mm
CAMBER ANGLE (外傾角) °
SWAY BAR (防傾桿) mm
DROOP (油壓行程) mm
DOWNSTOP (擺臂止限位) mm
TOE ANGLE (束角) °

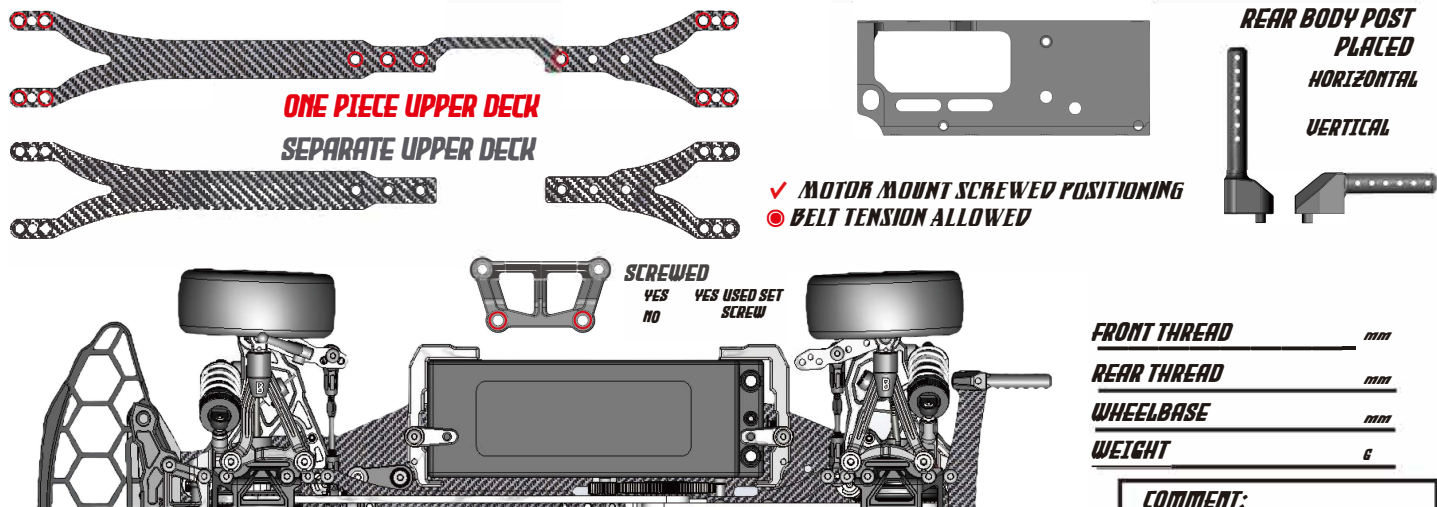
REAR
(後方)



ABSORBER 減震器
OIL (油濃度) #
PISTON (活塞) 2 3 4 HOLES
SPRING (彈簧)
BLADDER FORM (油壓頂部海綿) YES NO
REBOUND (彈芯) %
CASTER (傾角) °

RIDE HEIGHT (離地距) mm
CAMBER ANGLE (外傾角) °
SWAY BAR (防傾桿) mm
DROOP (油壓行程) mm
DOWNSTOP (擺臂止限位) mm
TOE ANGLE (束角) °

OTHER
(其他)



FRONT (前方)	REAR (後方)
TIRE (胎皮)	
COMPOUND (胎皮備)	
INSERT (胎膠)	
WHEEL (輪圈)	
TIRE (胎水) TREATMENT	

SPUR GEAR (大減齒) T	PITCH	PINION GEAR (摩打齒) T
MOTOR (馬達)	BATTERY (電池)	
ESC (電調)	SERVO (伺服器)	
BODY (車殼)	WING (風翼)	
FINAL DRIVE RATIO (齒比) [SPUR / PINION H1.9] : 1 =		

COMMENT: