



DFIVE

SETTING SHEET

1/10 REMOTE CONTROL DRIFT CLASS

DRIVER (賽員)

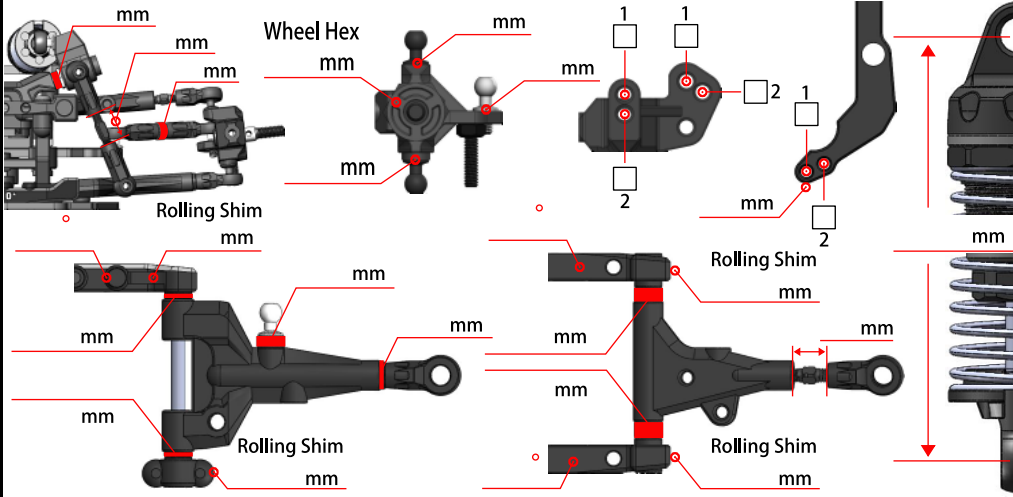
DATE

FINAL POSITION (決賽成績)

BEST LAPS (最佳圈數)

CIRCUIT (賽道)

- Place (地點) Indoor (室內) Outdoor (室外)
- Track (場地) Asphalt (瀝青) Carpet (地毯) Concrete (水泥) Epoxy (環氧)
- Traction (抓著力) High (高) Medium (中) Low (低)
- Track Condition (場地狀況) Flat (平坦) Bumpy (顛簸)

FRONT (前方)

shock absorber 減震器

Oil (油濃度) # _____

Piston (活塞) 2 3 4 Holes _____ mm

Spring (彈簧) _____ mm

Bladder Foam (油壓頂部海綿) Yes No

Rebound (彈芯) % _____

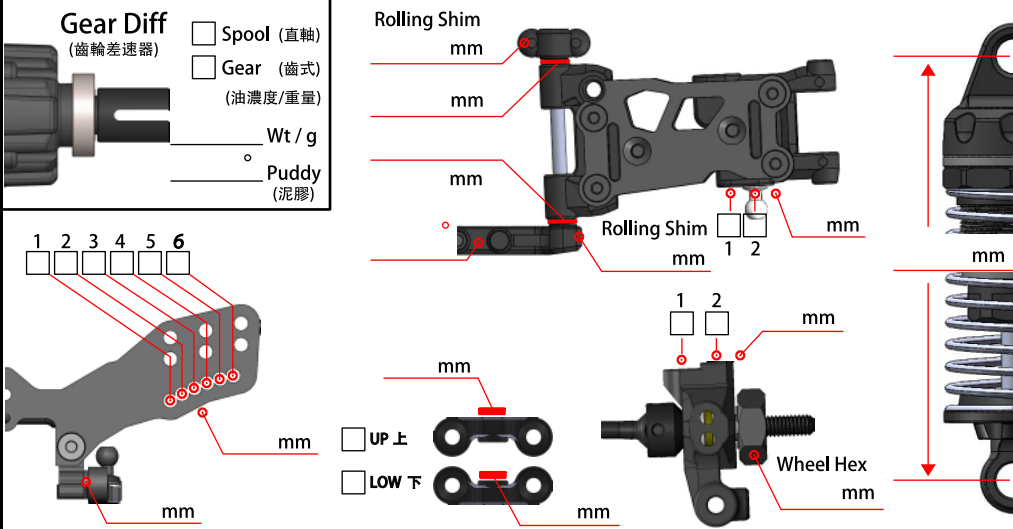
Notes (備註) _____

Ride Height (離地距) _____ mm

Camber Angle (外傾角) _____ °

Droop (油壓行程) _____ mm

Toe Angle (束角) _____ °

REAR (後方)

shock absorber 減震器

Oil (油濃度) # _____

Piston (活塞) 2 3 4 Holes _____ mm

Spring (彈簧) _____ mm

Bladder Foam (油壓頂部海綿) Yes No

Rebound (彈芯) % _____

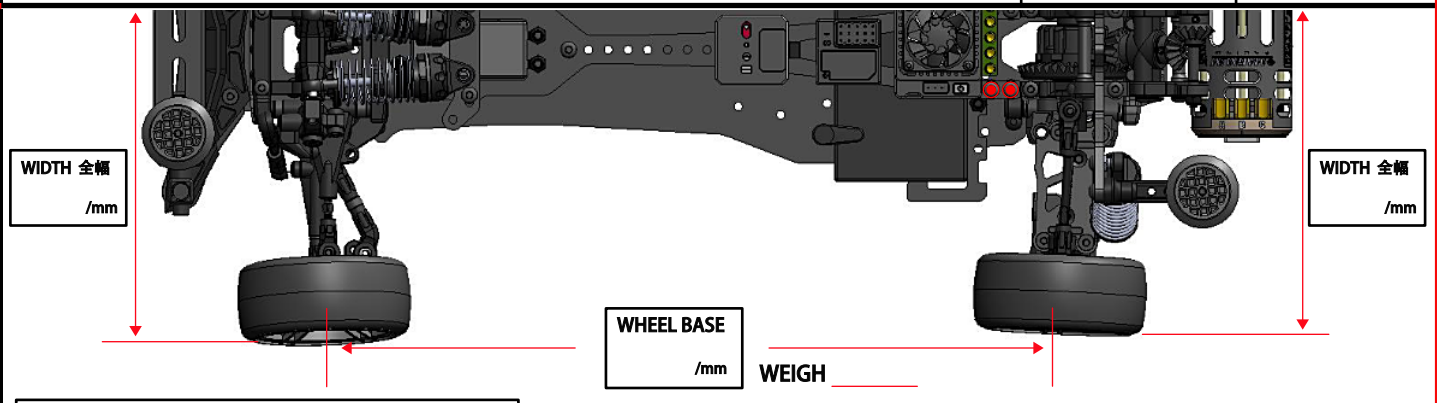
Notes (備註) _____

Ride Height (離地距) _____ mm

Camber Angle (外傾角) _____ °

Droop (油壓行程) _____ mm

Toe Angle (束角) _____ °

OTHER (其他)

FRONT (前方)	REAR (後方)
Tire (胎皮)	/
Compound (胎皮值)	/
Wheel (輪圈)	/
	/
	/

Spur Gear (大減齒)	T	Pinion Gear (摩打齒)	T
Motor (馬達)		Battery (電池)	
ESC (電調)	Gyro (陀螺儀)	Servo (伺服器)	
Body (車殼)		Wing (風翼)	
Final Drive Ratio (齒比)	(Spur / Pinion x 3.0) : 1 () : 1		