

**NOTICE**

**TH** =Apply Thread Lock Adhesive  
=使用螺絲防鬆膠

**CA** =Apply CA Glue  
=使用瞬間接著劑

**GE** =Apply Grease  
=使用潤滑油

**BAG 01**

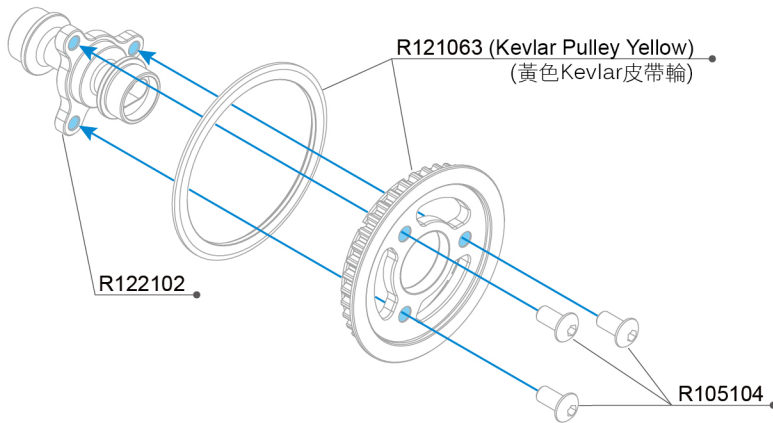
**R105104**  
3x6 Round Screw (10)

**R105204**  
3x8mm Flat Screw (10)



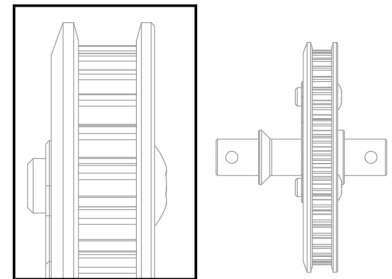
**R106021**  
Low Friction Ball Bearing  
10x15x4 (4)

1:1 Scale



**PULLEY COVER DIRECTION**  
請注方向

Please make sure the pulley cover is oriented with the bevel side out.  
請依圖示方向組裝皮帶輪側蓋。



**Option Parts (Not Included) / 改裝品 (未附於套件內)**

**R122103** Solid Axle Adaptor-Alu (2)

Lightweight adaptors reduce rotating mass for a more efficient drivetrain.

輕量化的鋁接杯可以減輕傳動的重量並增加傳動效率。

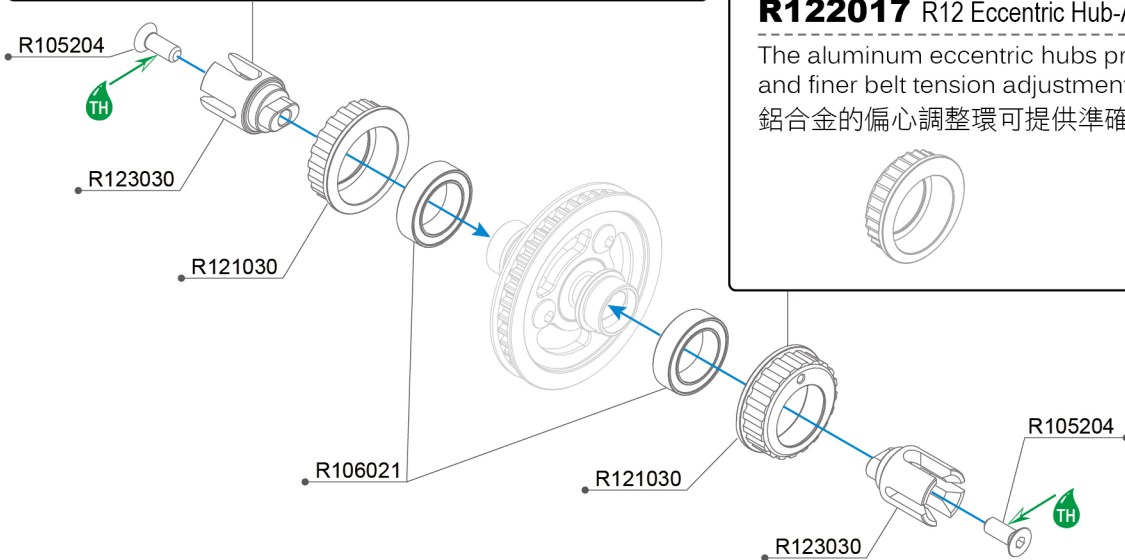


**Option Parts (Not Included) / 改裝品 (未附於套件內)**

**R122017** R12 Eccentric Hub-Alu (4)

The aluminum eccentric hubs provide greater precision and finer belt tension adjustment.

鋁合金的偏心調整環可提供準確與更細緻的張力調整。

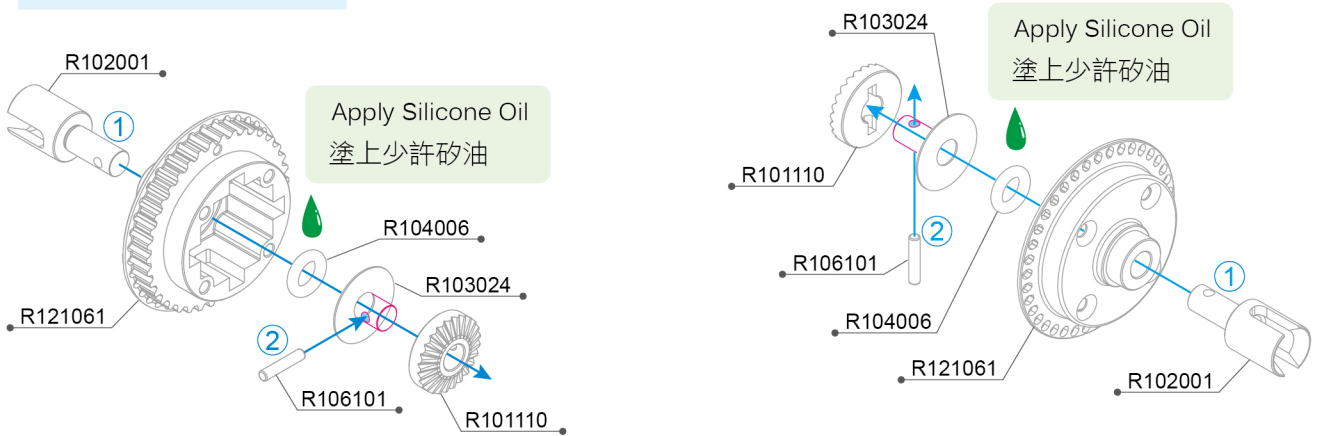


- R105104 3x6 Round Screw (10)
- R105204 3x8mm Flat Screw (10)
- R106021 Low Friction Ball Bearing 10x15x4 (4pcs)
- R121030 R12 Eccentric Hub (4)

- R121063 R12 Kevlar Front Pulley 38T
- R122102 R12.1 Solid Axle Shaft
- R123030 Solid Axle Adaptor-steel (2)

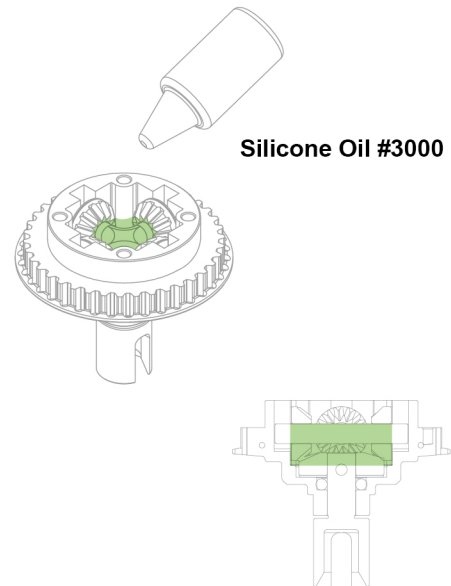
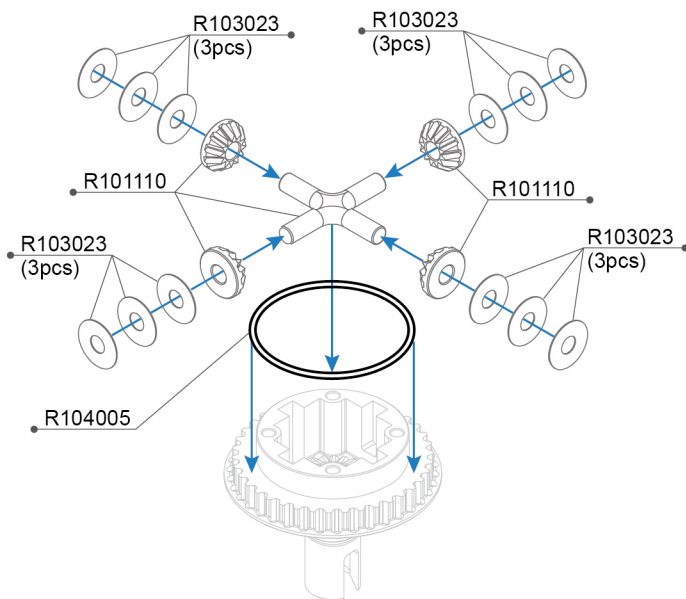
◎ **R106101**  
Ø2x9.8 Pin (10)

1:1 Scale

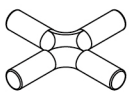


R101110 Diff Gears (with Axle)  
R102001 Gear Diff Outdrive Alu(2pcs)  
R103024 Gear Diff Shim Big(4pcs)

R104006 O'ring 5x2(4pcs)  
R106101 2x9.8mm Pin (10pcs)  
R121061 R12 Kevlar Diff Case



### NOTICE



Trim any excess flashing from the diff gear axle at the mold injection point.

請將十字軸邊緣多餘的合模線修順，可使差速的運做更順暢。

### NOTICE

We recommend using 1.5g or 1.3g grams of silicone diff oil.

建議加入1.5公克重規格3000CST的差速油。

R101110 Diff Gears (with Axle)  
R103023 Gear Diff Shim Small(8pcs)

R104005 O'Ring 26x1 For Diff Case(2pcs)

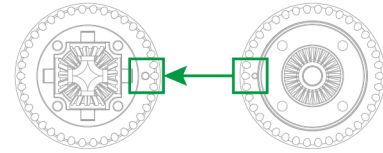
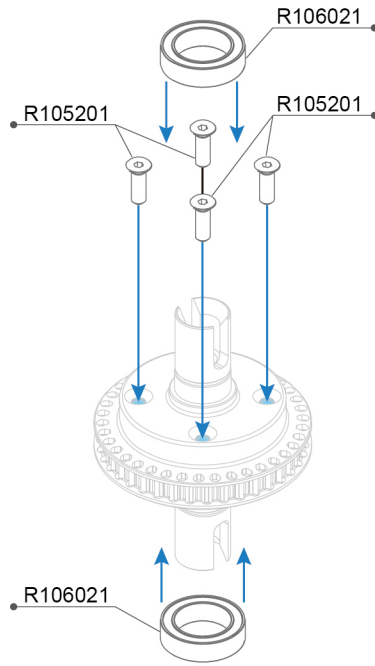


**R105201**  
2.5x8mm Flat Screw (10)



**R106021**  
Low Friction Ball Bearing  
10x15x4 (4)

1:1 Scale

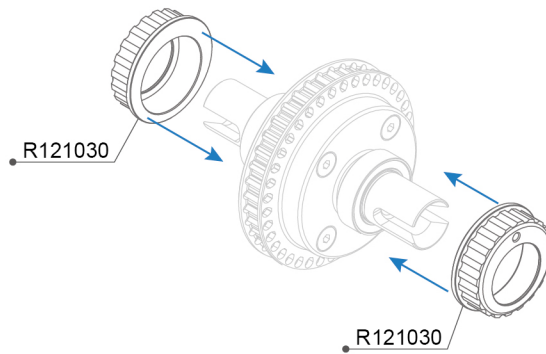


### NOTICE

Diff case direction needs to match as per above.  
差速外殼組裝時請依圖示對齊凹點。

R105201 2.5x8mm Flat Screw (10)

R106021 Low Friction Ball Bearing 10x15x4 (4pcs)



### Option Parts (Not Included) / 改裝品 (未附於套件內)

#### **R122017** R12 Eccentric Hub-Alu (4)

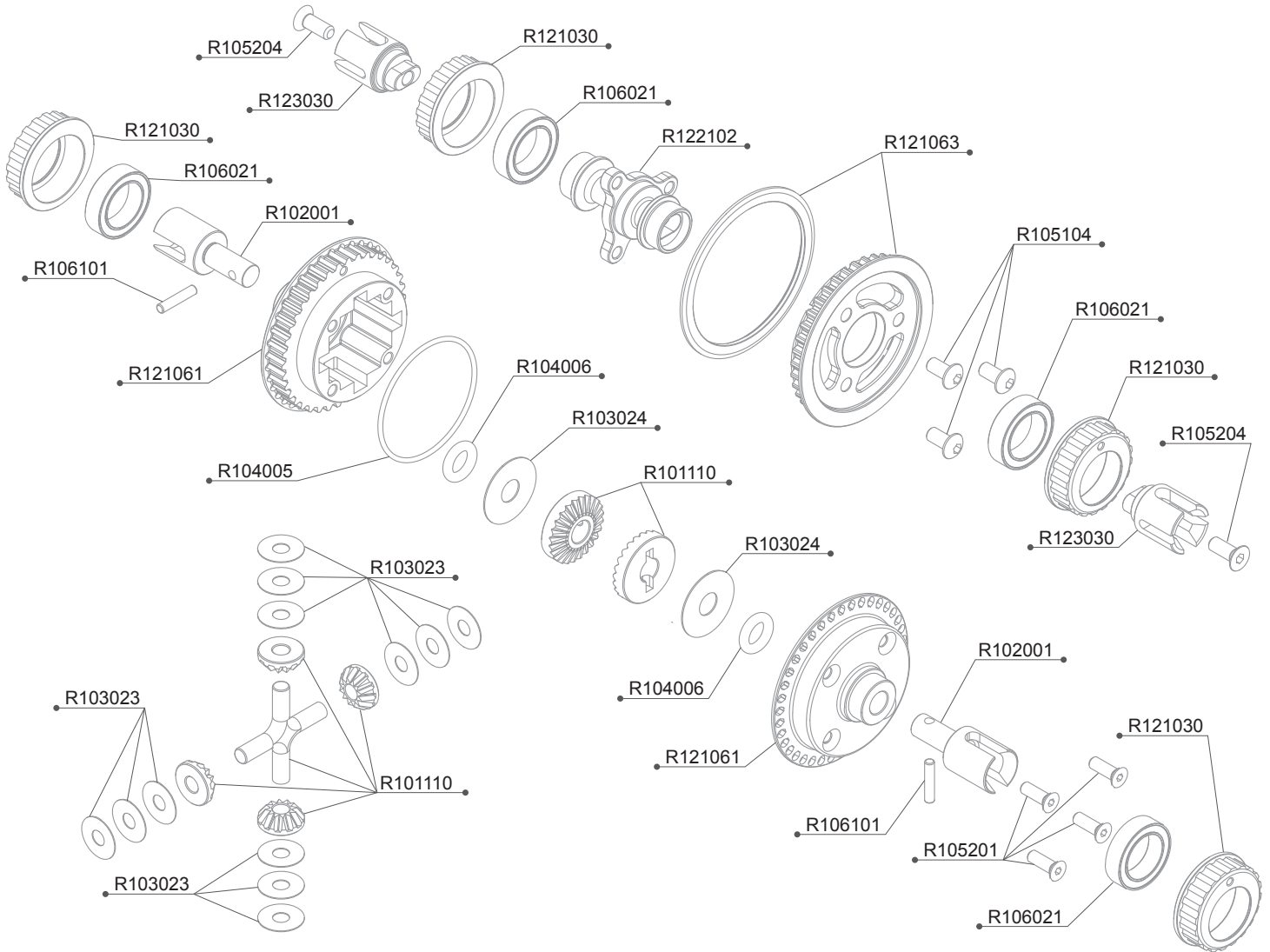
The aluminum eccentric hubs provide greater precision and finer belt tension adjustment.

鋁合金的偏心調整環可提供準確與更細緻的張力調整。



R121030 R12 Eccentric Hub (4)

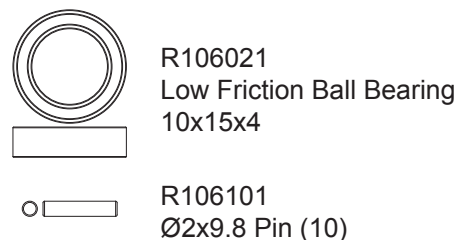
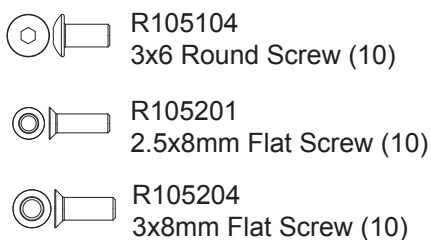
## A10 BAG 01 PARTS EXPLODED VIEW



## A10 BAG 01 PARTS LIST

R101110	Diff Gears (with Axle)	R105204	3x8mm Flat Screw (10)
R102001	Gear Diff Outdrive Alu(2pcs)	R106021	Low Friction Ball Bearing 10x15x4 (4pcs)
R103023	Gear Diff Shim Small(8pcs)	R106101	2x9.8mm Pin (10pcs)
R103024	Gear Diff Shim Big(4pcs)	R121030	R12 Eccentric Hub (4)
R104005	O'Ring 26x1 For Diff Case(2pcs)	R121061	R12 Kevlar Diff Case
R104006	O'ring 5x2(4pcs)	R121063	R12 Kevlar Front Pulley 38T
R105104	3x6 Round Screw (10)	R122102	R12.1 Solid Axle Shaft
R105201	2.5x8mm Flat Screw (10)	R123030	R12.1 Steel Outdrive (2)

## 1:1 SCALE



### FRONT LOW ARM SET / 前下擺臂組

**R105105**  
3x8 Round Screw (10)

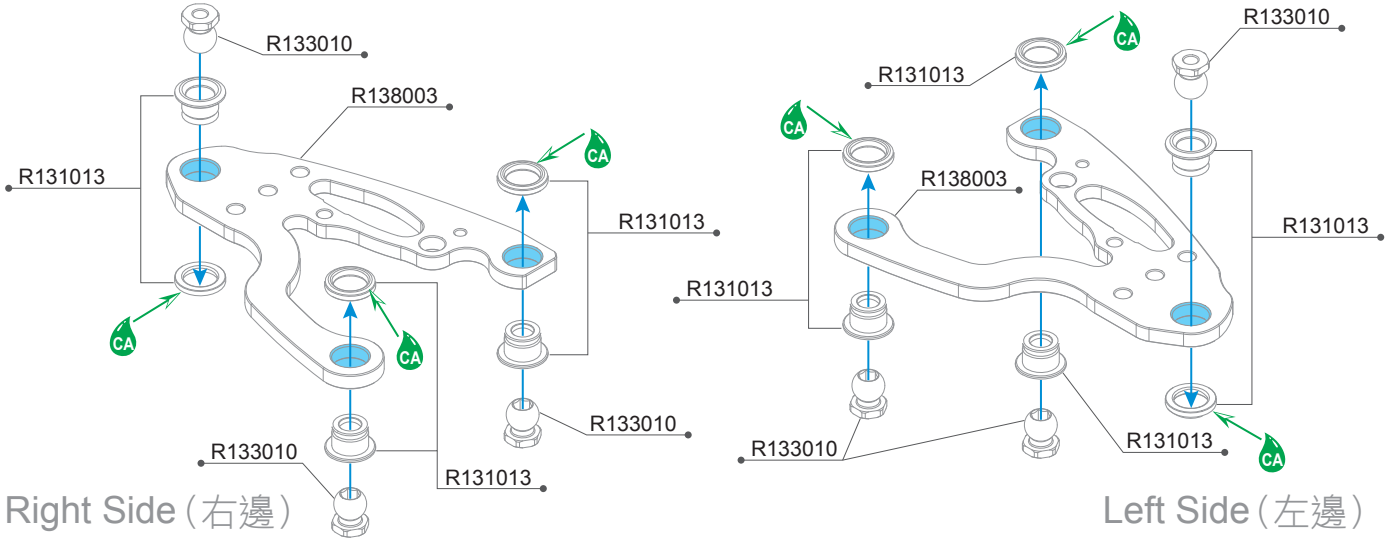
**R105403**  
3x8mm Set Screw (10)

**R105404**  
3x10mm Set Screw (10)

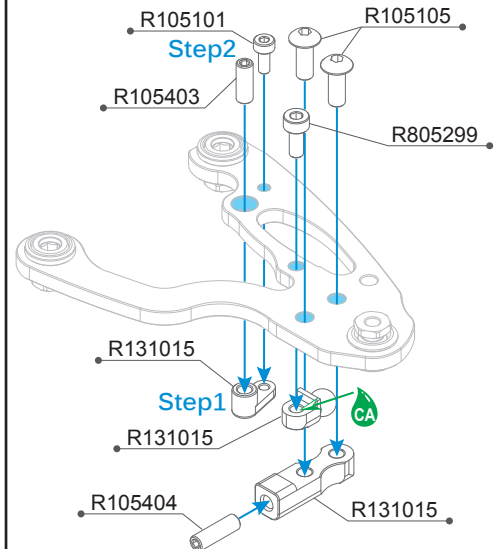
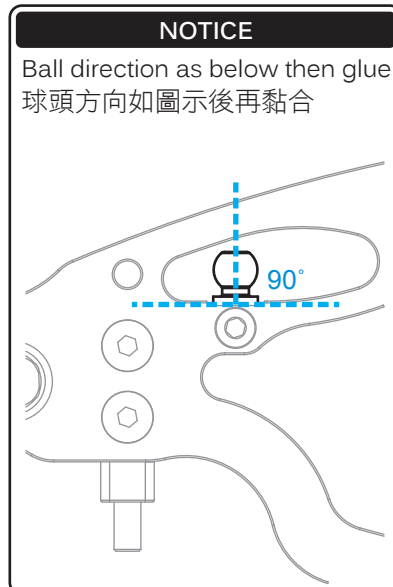
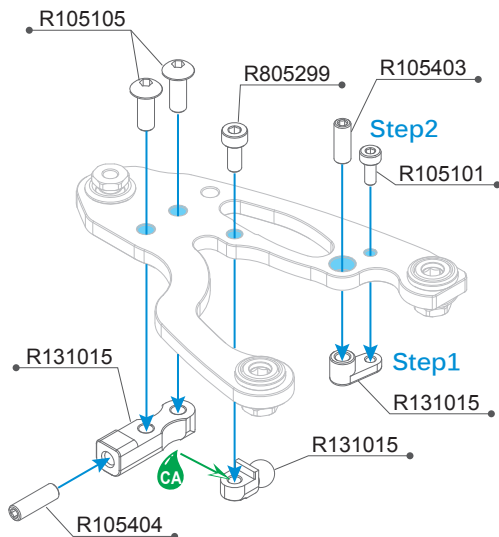
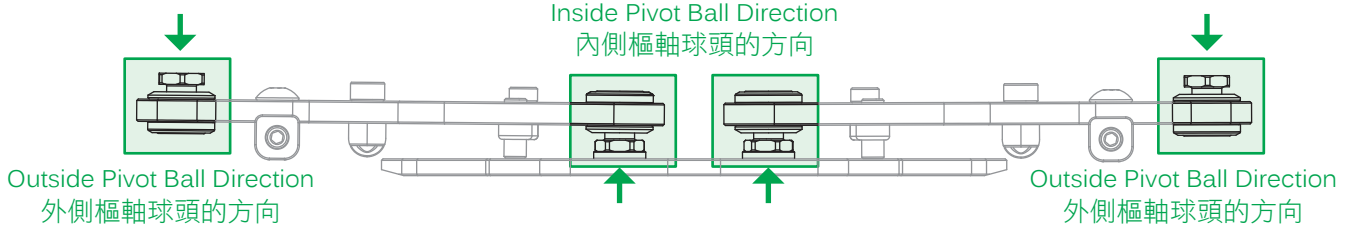
**R105101**  
2x5mm Cap Screw (10)

**R805299**  
2.5x6mm Cap Screw (10)

1:1 Scale



### PIVOT BALL DIRECTION / 球頭方向



R105101 2x5mm Cap Screw (10)  
R105105 3x8 Round Screw (10)  
R105403 3x8mm Set Screw (10)  
R105404 3x10mm Set Screw (10)  
R131013 5.8mm Ball Socket Set (3 Sets)

R131015 Front Low Arm Parts (3)  
R133010 5.8mm Pivot Ball-Titanium (2)  
R138003 A10 Front Low Arm-Carbon  
R805299 2.5x6mm Cap Screw (10)

### REAR LOW ARM SET / 後下擺臂組

**R105105**  
3x8 Round Screw (10)

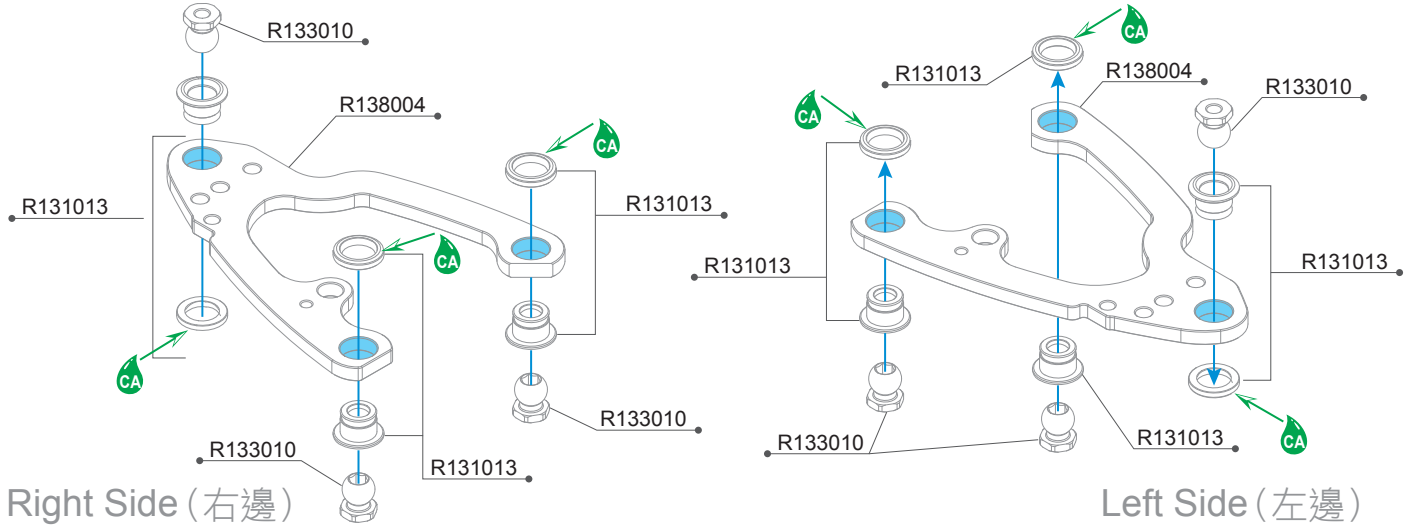
**R105403**  
3x8mm Set Screw (10)

**R105404**  
3x10mm Set Screw (10)

**R105101**  
2x5mm Cap Screw (10)

**R805299**  
2.5x6mm Cap Screw (10)

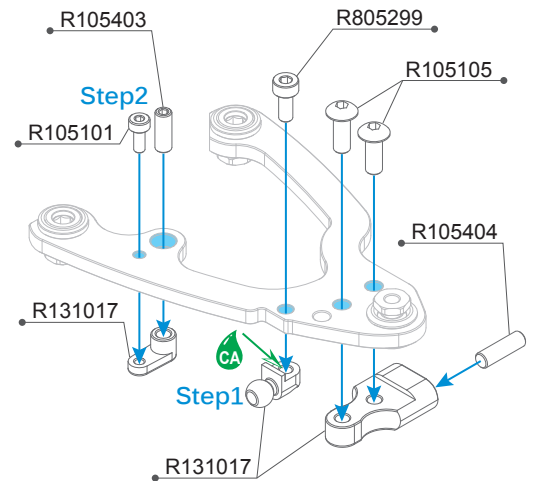
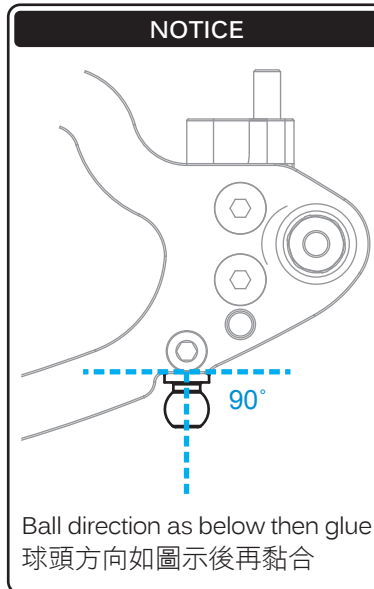
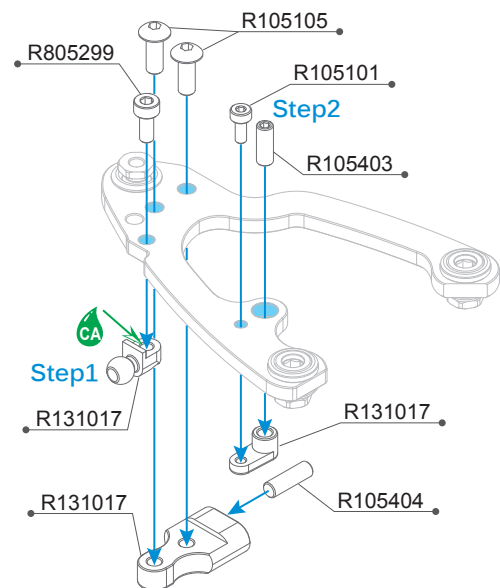
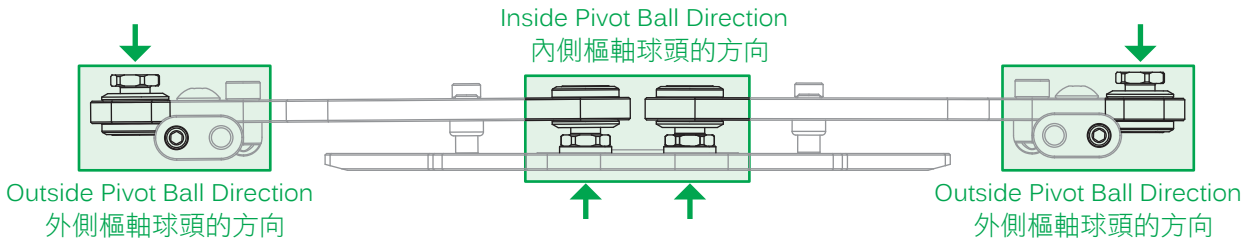
1:1 Scale



Right Side (右邊)

Left Side (左邊)

#### PIVOT BALL DIRECTION / 球頭方向



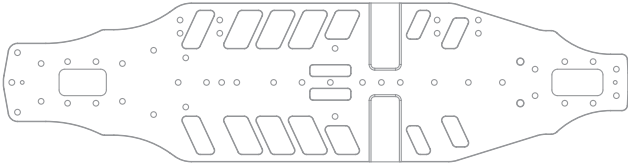
R105101 2x5mm Cap Screw (10)  
R105105 3x8 Round Screw (10)  
R105403 3x8mm Set Screw (10)  
R105404 3x10mm Set Screw (10)  
R131013 5.8mm Ball Socket Set (3 Sets)

R131017 Rear Low Arm Parts (3)  
R133010 5.8mm Pivot Ball-Titanium (2)  
R138004 A10 Rear Low Arm-Carbon  
R805299 2.5x6mm Cap Screw (10)

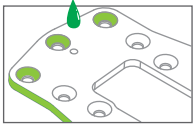
Option Parts (Not Included) / 改裝品 (未附於套件內)

## R132005

A10 Aluminum Chassis 2.0mm



### NOTICE



Apply CA Glue to the chassis edges and front bumper screws as highlighted.

請依圖示中的位置將前保桿螺絲孔用瞬間膠做補強。

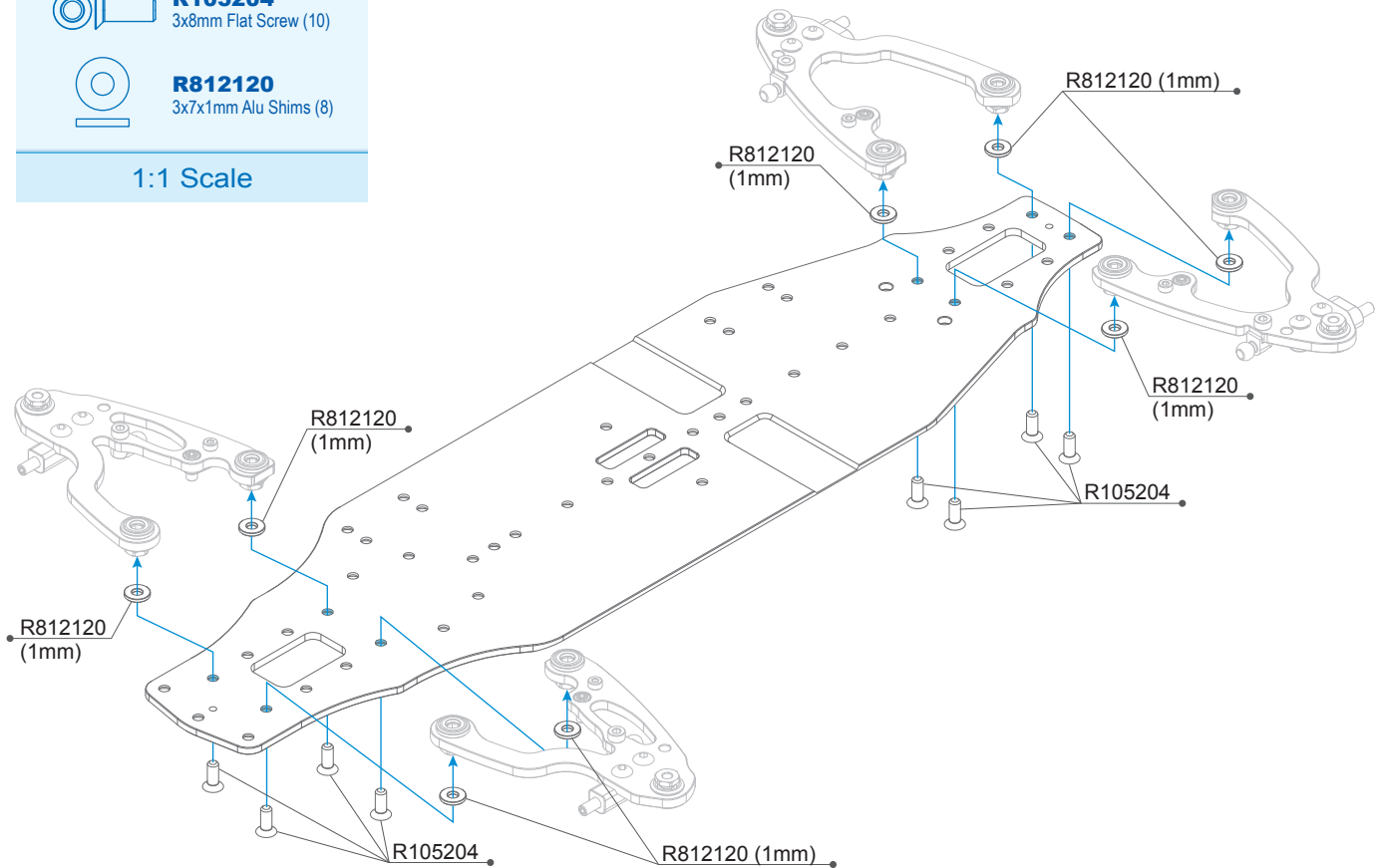


R138005 A10 Carbon Chassis-2.25mm

**R105204**  
3x8mm Flat Screw (10)

**R812120**  
3x7x1mm Alu Shims (8)

1:1 Scale



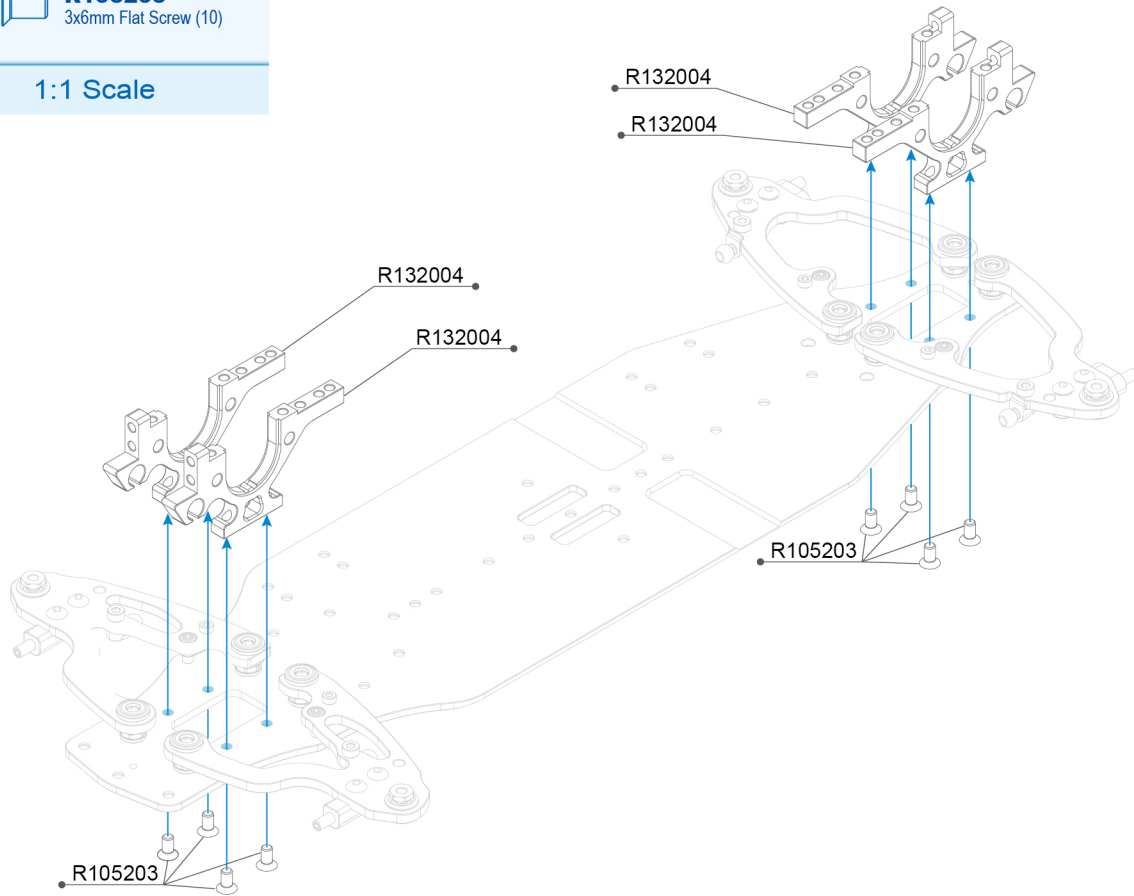
R105204 3x8mm Flat Screw (10)

R812120 3x7x1mm Alu Shims (8pcs)



**R105203**  
3x6mm Flat Screw (10)

1:1 Scale

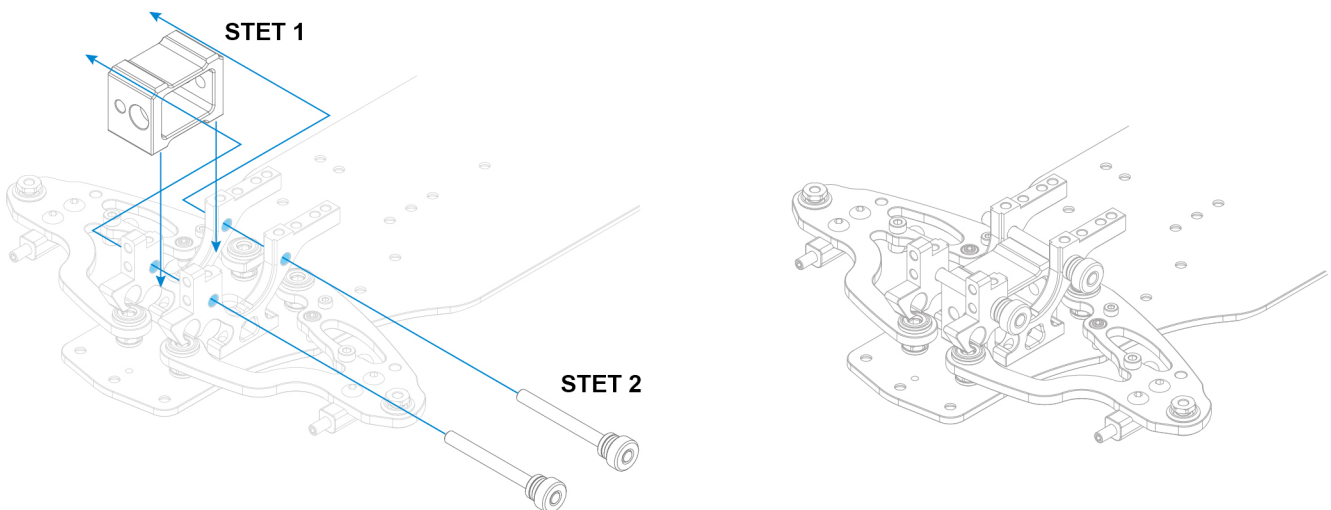


R105203 3x6mm Flat Screw (10)

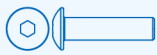
R132004 A10 Lower Bulkhead

Option Parts (Not Included) / 改装品(未附於套件内)

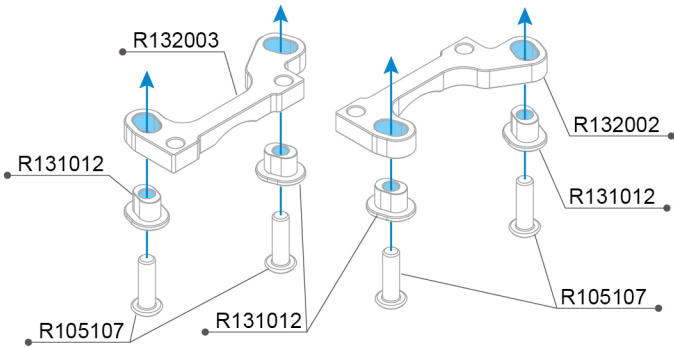
**R129006** R12 Bulkhead Alignment Block-17mm



1:1 Scale


**R105107**  
 3x12 Round Screw (10)

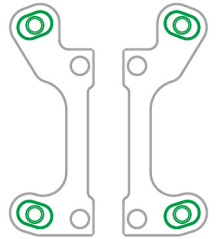
## FRONT UPPER BULKHEAD / 前上側板



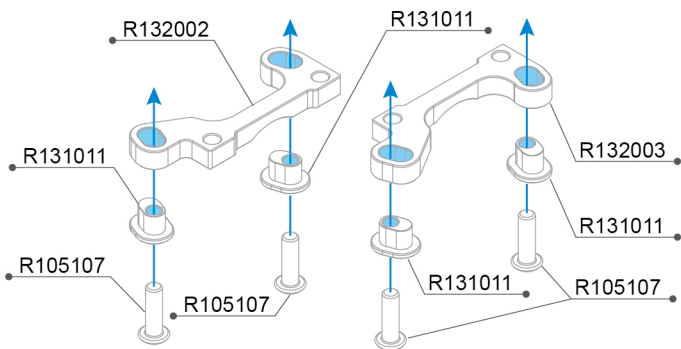
### NOTICE

The upper arm length can be adjusted with different inserts. The default front upper arm setting uses the middle position.

上擺臂的長度可以用不同的固定座來做改變，預設的前上擺臂使用中間的孔位。



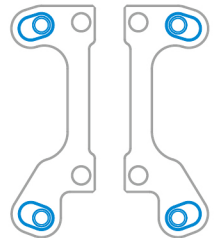
## REAR UPPER BULKHEAD / 後上側板



### NOTICE

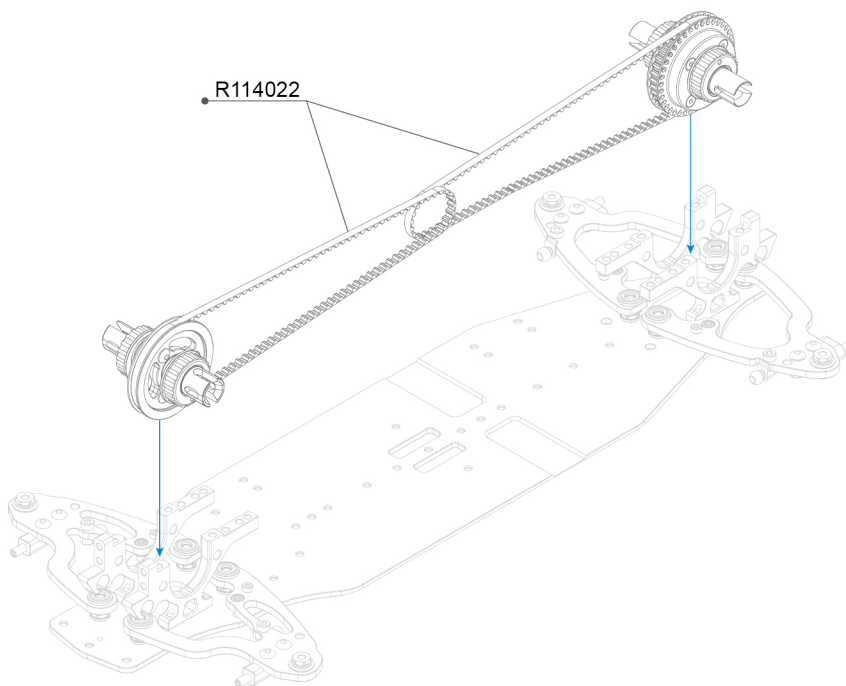
The upper arm length can be adjusted with different inserts. The default rear upper arm setting uses the inside position for a longer upper arm.

上擺臂的長度可以用不同的固定座來做改變，預設的後上擺臂使用向內的孔位，此設定時後上擺臂的長度是最長的。



R105107 3x12 Round Screw (10)  
 R131011 Linkage Insert-Side (4)  
 R131012 Linkage Insert-Mid (4)

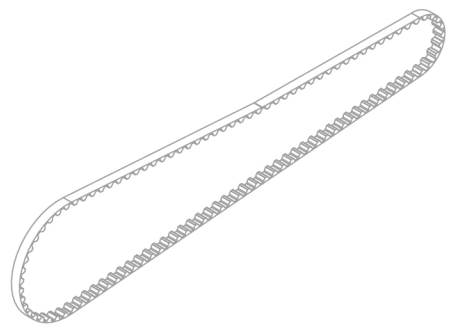
R132002 A10 Upper Bulkhead FL/RR  
 R132003 A10 Upper Bulkhead FR/RL



Option Parts (Not Included)  
 / 改裝品 (未附於套件內)

### R114023

S3M-351-3mm White Rubber Belt



R114022 S3M-351-3mm Belt



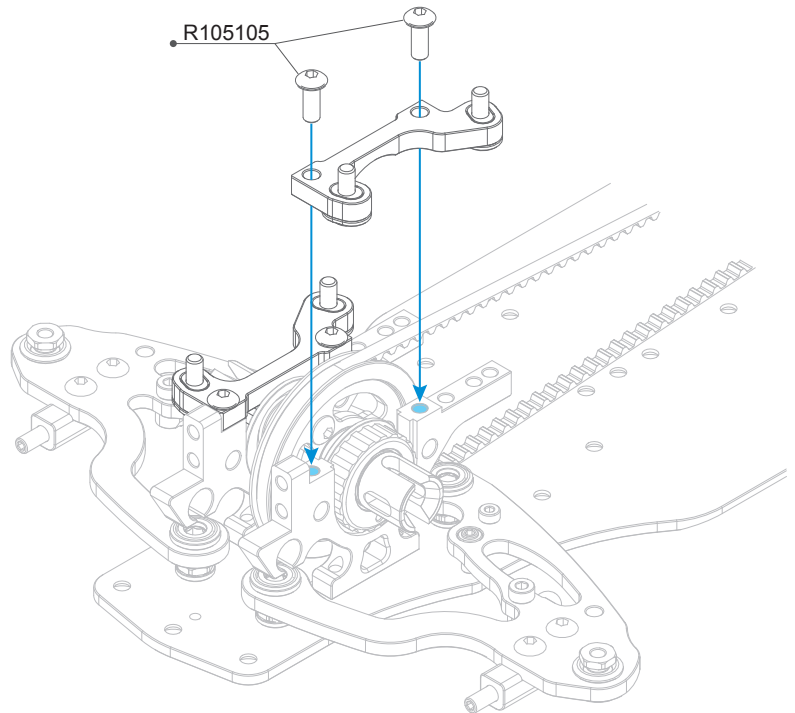
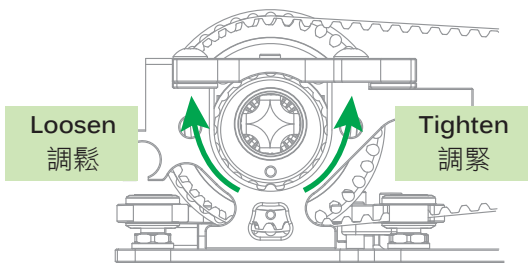
**R105105**  
3x8 Round Screw (10)

1:1 Scale

### FRONT/前方

The eccentric hub is used to adjust the front spool height and belt tension. The default setup is for the spool to be in a high position. The belt tension can then be adjusted incrementally.

偏心的襯套可以用來調整前直軸的高度與皮帶的鬆緊度，預設的前直軸位置於高處，皮帶的鬆緊可以如圖示來做調整。



R105105 3x8 Round Screw (10)



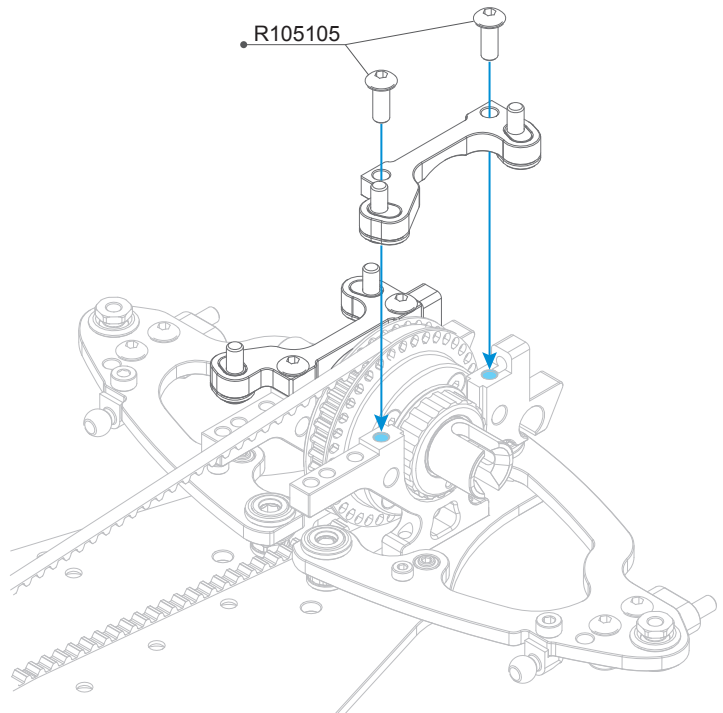
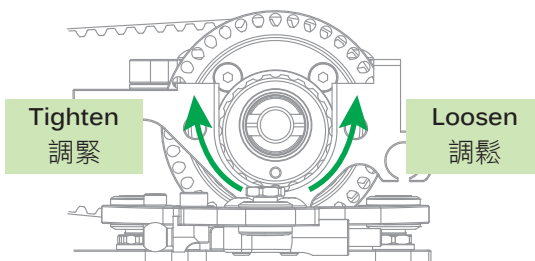
**R105105**  
3x8 Round Screw (10)

1:1 Scale

### REAR/後方

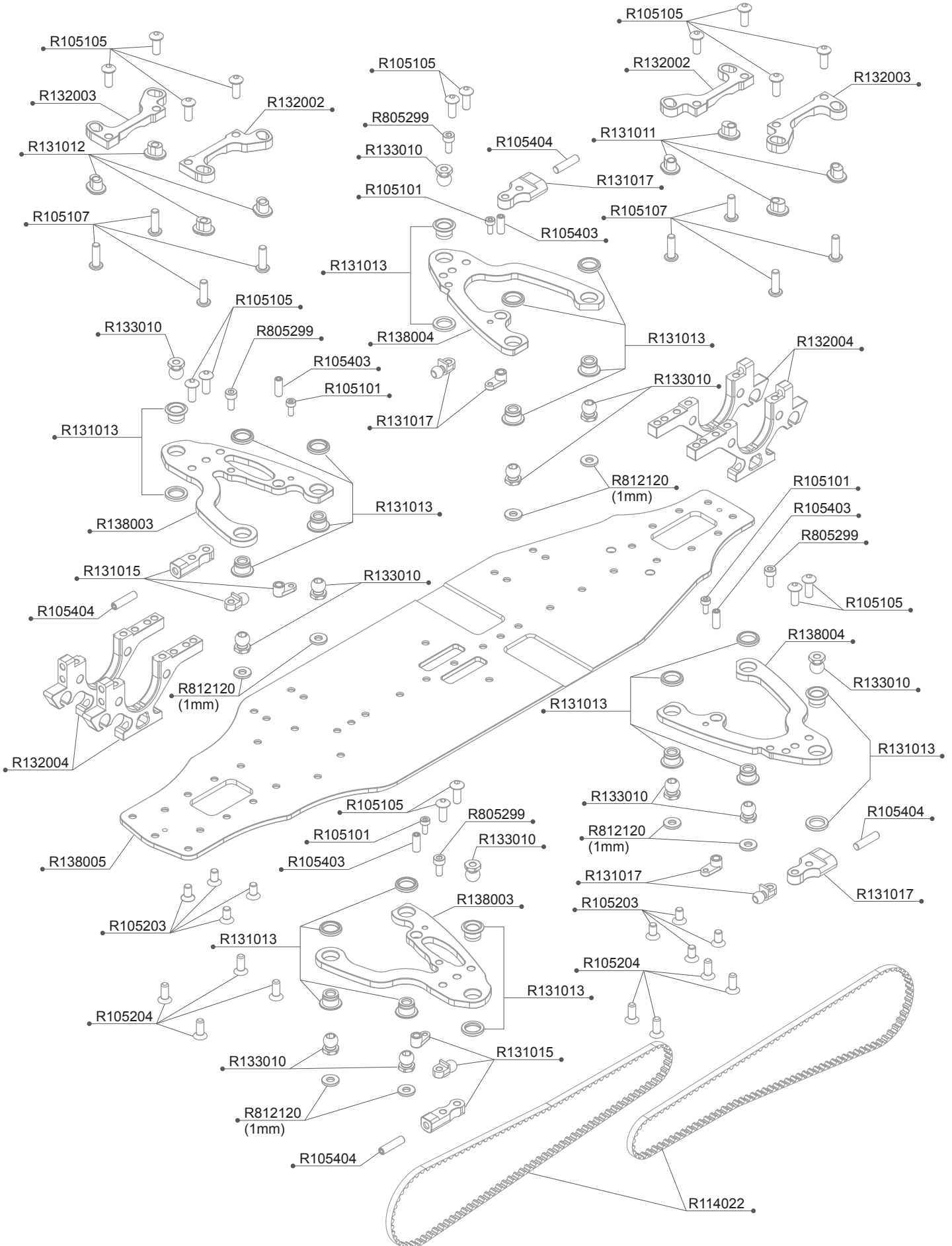
The eccentric hub is used to adjust the rear diff height and belt tension. The default setup is for the diff to be in a high position. The belt tension can then be adjusted incrementally.

偏心的襯套可以用來調整後差速的高度與皮帶的鬆緊度，預設的後差速位置於高處，皮帶的鬆緊可以如圖示來做調整。



R105105 3x8 Round Screw (10)

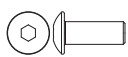
## A10 BAG 02 PARTS EXPLODED VIEW



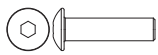
## A10 BAG 02 PARTS LIST

R105101	2x5mm Cap Screw (10)	R131015	Front Low Arm Parts (3)
R105105	3x8 Round Screw (10)	R131017	Rear Low Arm Parts (3)
R105107	3x12 Round Screw (10)	R132002	A10 Upper Bulkhead FL/RR
R105203	3x6mm Flat Screw (10)	R132003	A10 Upper Bulkhead FR/RL
R105204	3x8mm Flat Screw (10)	R132004	A10 Lower Bulkhead
R105403	3x8mm Set Screw (10)	R133010	5.8mm Pivot Ball-Titanium (2)
R105404	3x10mm Set Screw (10)	R138003	A10 Front Low Arm-Carbon
R114022	S3M-351-3mm Belt	R138004	A10 Rear Low Arm-Carbon
R131011	Linkage Insert-Side (4)	R138005	A10 Carbon Chassis-2.25mm
R131012	Linkage Insert-Mid (4)	R805299	2.5x6mm Cap Screw (10)
R131013	5.8mm Ball Socket Set (3 Sets)	R812120	3x7x1mm Alu Shims (8pcs)

## 1:1 SCALE



R105105  
3x8 Round Screw (10)



R105107  
3x12 Round Screw (10)



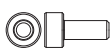
R105203  
3x6mm Flat Screw (10)



R105204  
3x8mm Flat Screw (10)



R105101  
2x5mm Cap Screw (10)



R805299  
2.5x6mm Cap Screw (10)



R105403  
3x8mm Set Screw (10)



R105404  
3x10mm Set Screw (10)

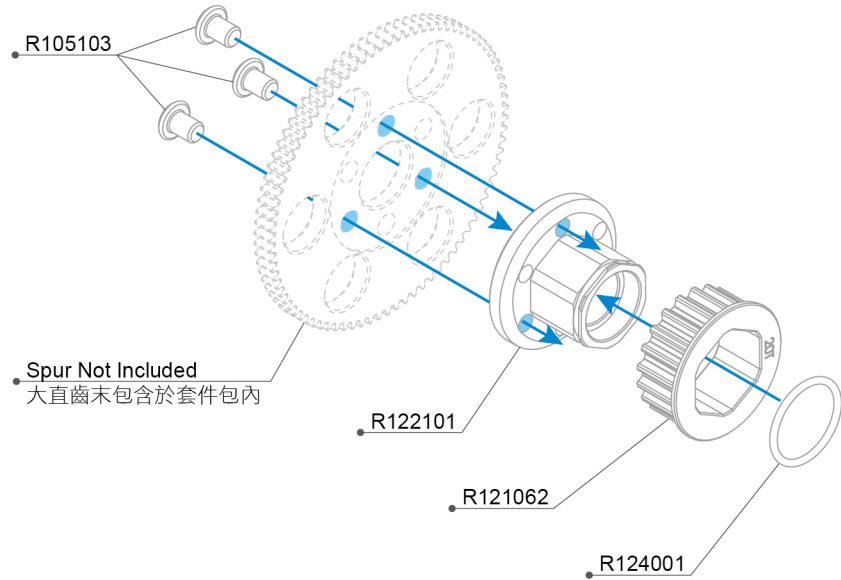


R812120  
3x7x1mm Alu Shims (8)



**R105103**  
3x4 Round Screw (10)

1:1 Scale



R105103 3x4 Round Screw (10)  
R121062 R12 Kevlar Center Pulley 20T

R122101 R12 Center Pulley Hub-Alu  
R124001 10x1 O'ring (4)

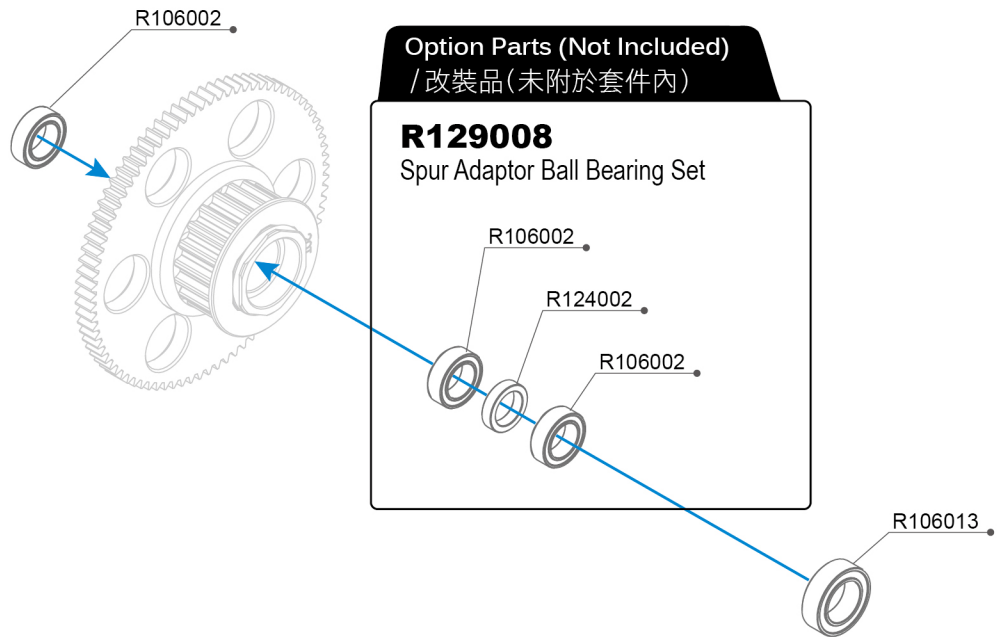


**R106002**  
5x8x2.5mm  
Ball Bearing /Metal Seal (4)



**R106013**  
6x10x3mm Ball Bearing (2)

1:1 Scale



R106002 5x8x2.5mm Ball Bearing /Metal Seal (4)  
R106013 6x10x3 Ball Bearing (2)

R124002 5x7x1.7 Teflon Ring (2)



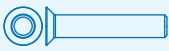
**R103050**  
3x5x0.3mm Shims (10)



**R103051**  
3x5x0.5mm Shims (10)



**R105205**  
3x10mm Flat Screw (10)



**R105208**  
3x16mm Flat Screw (10)

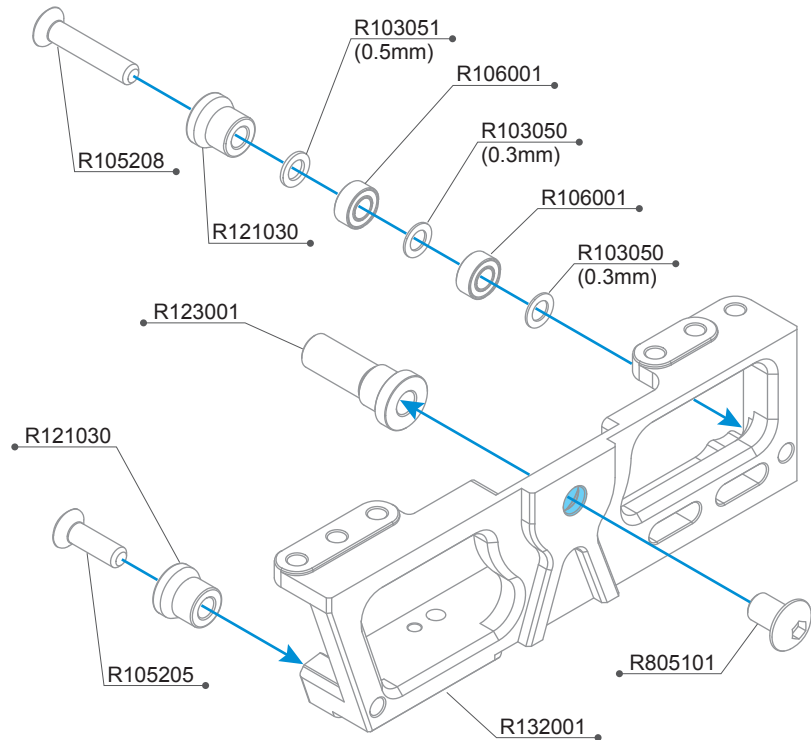


**R106001**  
3x6x2.5mm Ball Bearing (2)



**R805101**  
4x6 Round Screw (10)

1:1 Scale



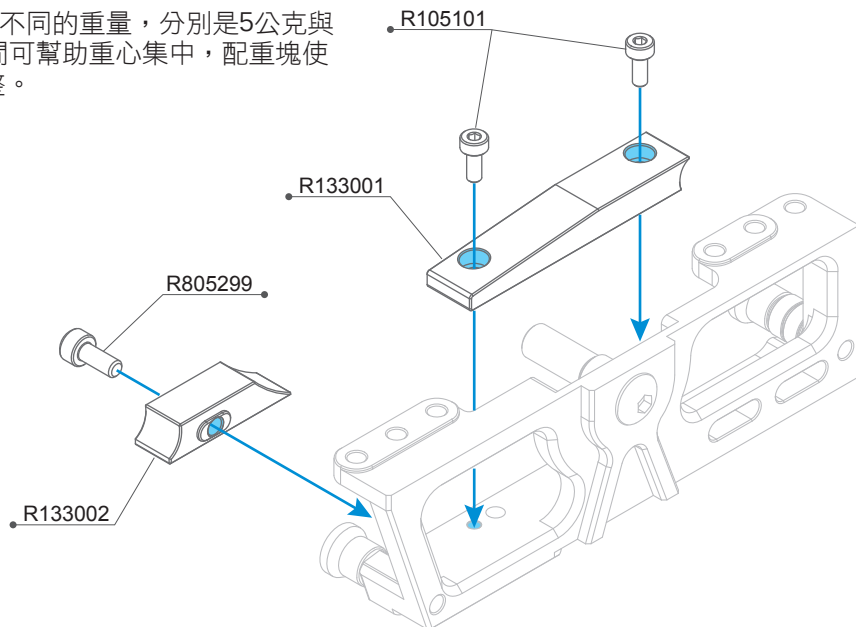
### Option Parts (Not Included) / 改裝品 (未附於套件內)

**R133001** A10 Brass Weight 10g

**R133002** A10 Brass Weight 5g

The optional brass weight are specially designed for the A10 motor mount. There are 2 separate weights of 5g and 10g. Each weight mounts along the centerline of the chassis to ensure optimum balance is maintained.

銅製的A10專用配重塊共有二種不同的重量，分別是5公克與10公克，配重的設計放置於中間可幫助重心集中，配重塊使用螺絲固定可方便的拆裝與調整。



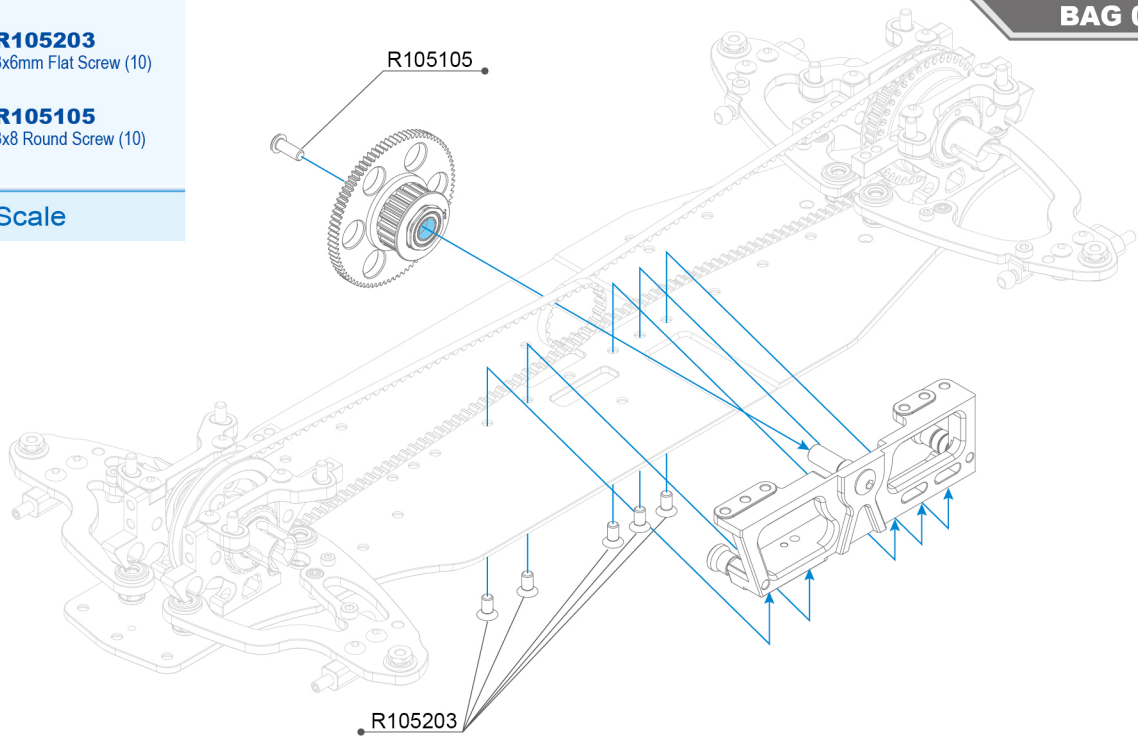
R103050 3x5x0.3mm Shims (10)  
R103051 3x5x0.5mm Shims (10)  
R105205 3x10mm Flat Screw (10)  
R105208 3x16mm Flat Screw (10)  
R106001 3x6x2.5mm Ball Bearing (2)

R121030 R12 Eccentric Hub (4)  
R123001 R12 Spur Shaft  
R132001 A10 Motor Bulkhead  
R805101 4x6 Round Screw (10)

**R105203**  
3x6mm Flat Screw (10)

**R105105**  
3x8 Round Screw (10)

1:1 Scale

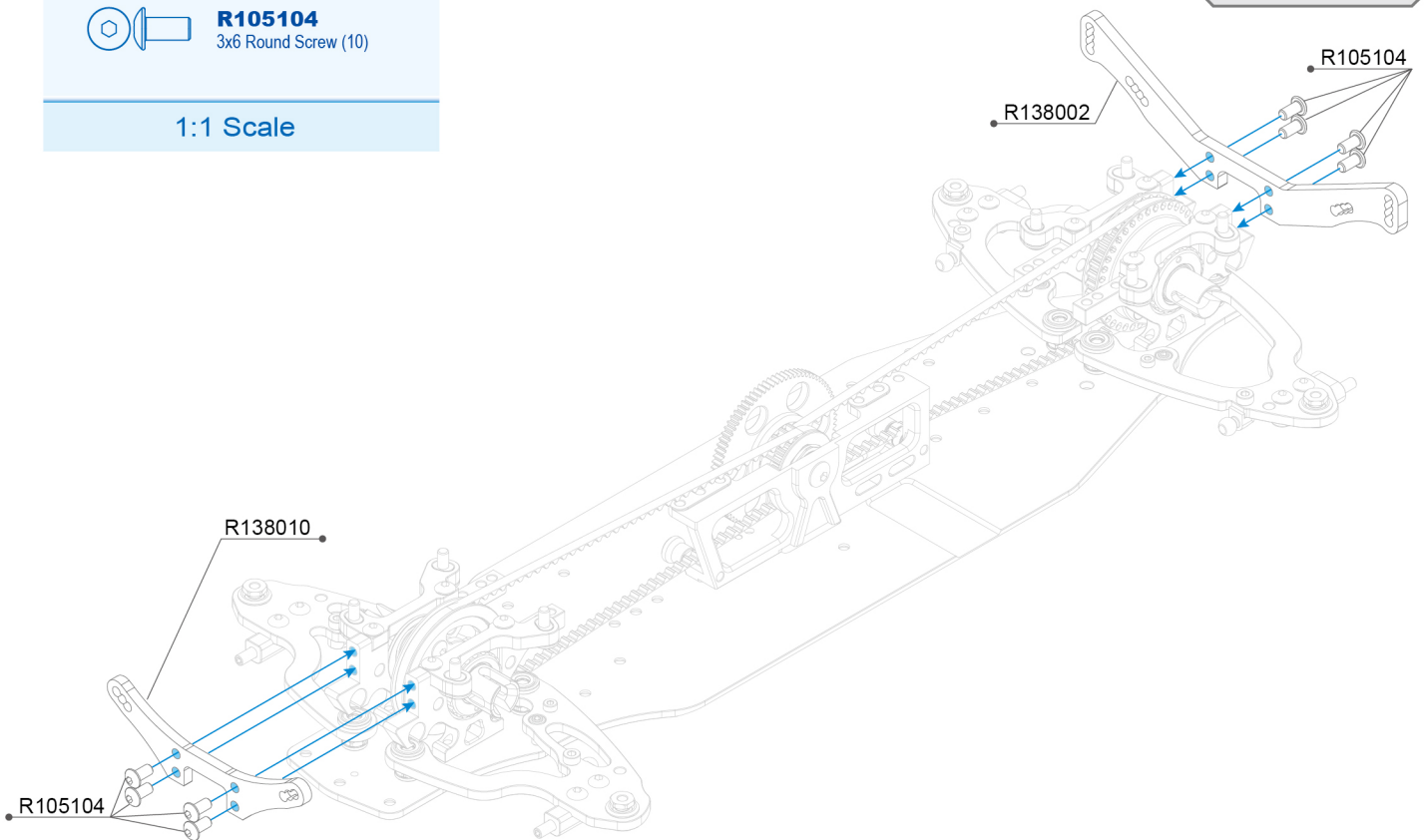


R105105 3x8 Round Screw (10)

R105203 3x6mm Flat Screw (10)

**R105104**  
3x6 Round Screw (10)

1:1 Scale



R105104 3x6 Round Screw (10)  
R138002 A10 Rear Shock Tower

R138010 A10 Front Shock Tower

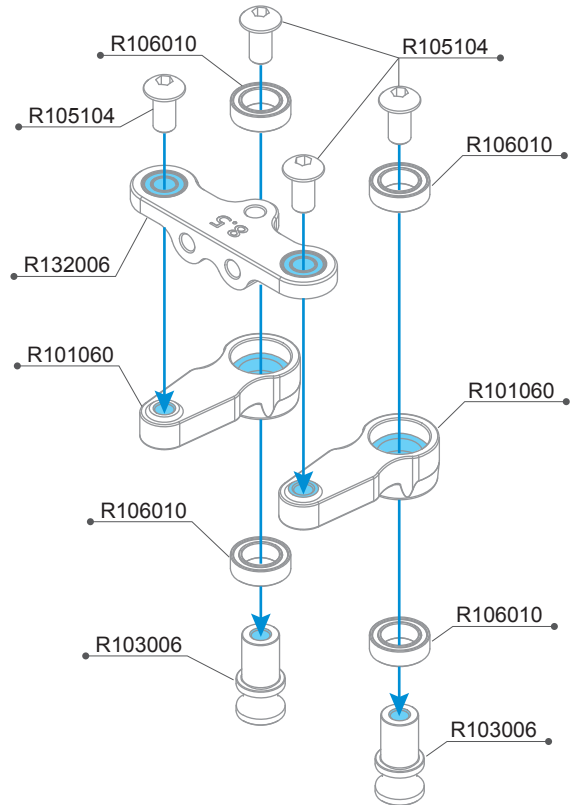
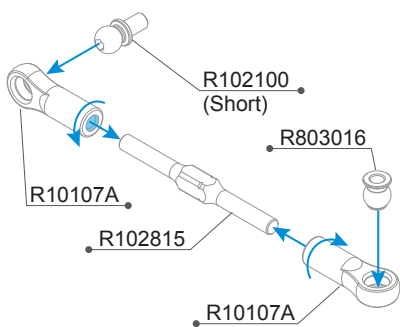
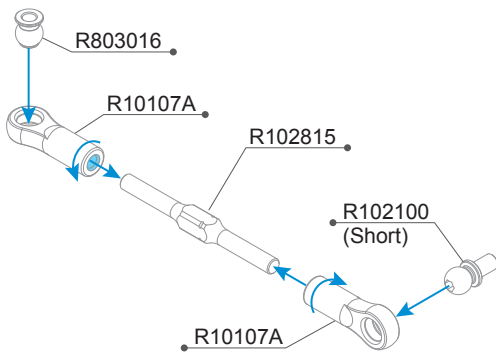
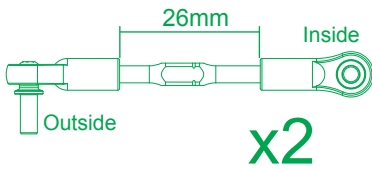
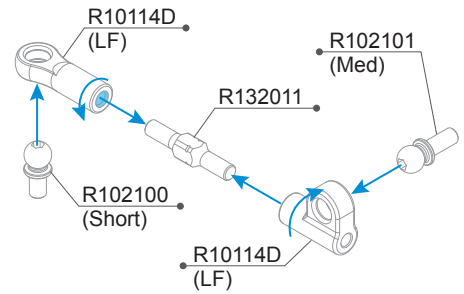
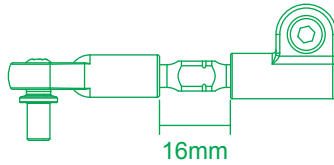
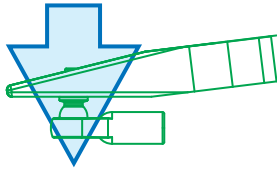


**R105104**  
3x6mm Round Screw (10)



**R106010**  
5x8x2.5mm Ball Bearing (4)

1:1 Scale



R101060 Servo Horn Dual steering arm  
 R10107A Ball Joint 4.9mm Open (6pcs)  
 R10114D Steering Rod Ball Joint Set (LF)  
 R102100 Alu 4.9mm Ball End Short(4pcs)  
 R102101 Alu 4.9mm Ball End Med(4pcs)  
 R102815 Turnbuckle 3x37mm ALU-7075 (2pcs)

R103006 Steering Shaft(2pcs)  
 R105104 3x6 Round Screw (10)  
 R106010 5x8x2.5mm Ball Bearing (4pcs)  
 R132006 Steering Plate 8.5-V2  
 R132011 Turnbuckle 3x23mm Alu-7075 (2)  
 R803016 Ball Head 4.9mm (4)



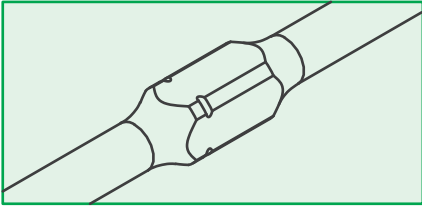
**R102017**  
3x5.5x3mm Alu Shims (4)



**R105203**  
3x6mm Flat Screw (10)

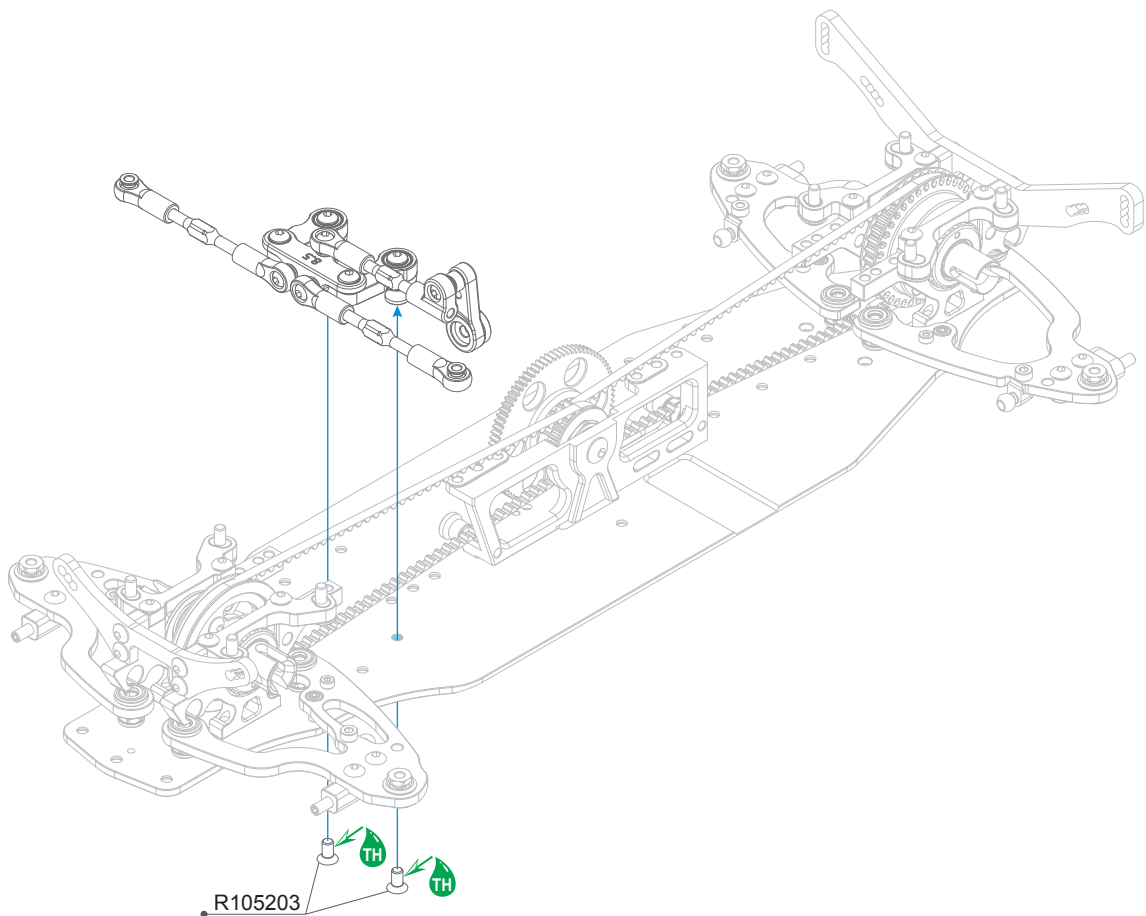
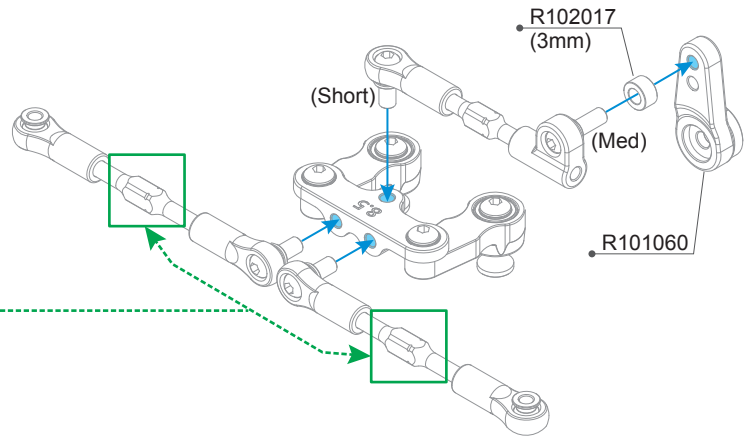
1:1 Scale

### NOTICE



It is recommended to place the notch on each turnbuckle to the left side, which will make it easier to adjust camber and toe.

建議請將拉桿的缺口記號統一放置於左方，以便於調整前束角時方向會一致。



R101060 Servo Horn Dual steering arm  
R102017 3X5.5X3mm Alu Shims(4pcs)

R105203 3x6mm Flat Screw (10)



**R105104**  
3x6 Round Screw (10)

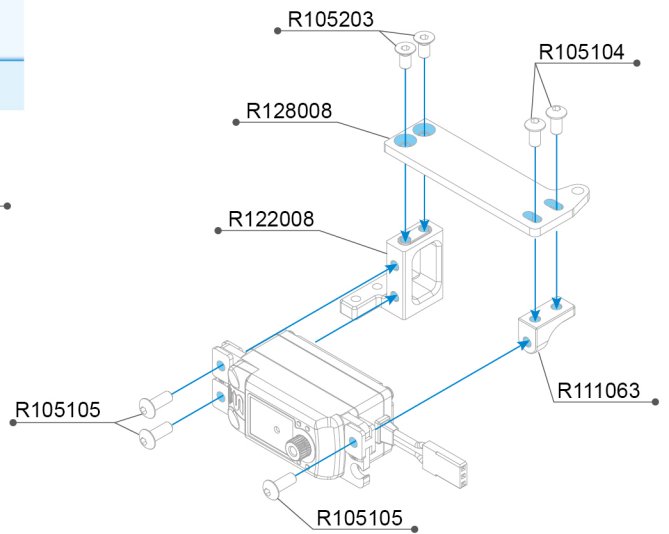
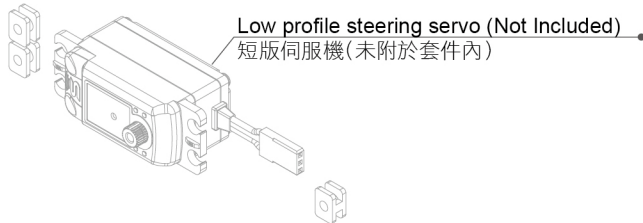


**R105105**  
3x8 Round Screw (10)



**R105203**  
3x6mm Flat Screw (10)

1:1 Scale



### NOTICE

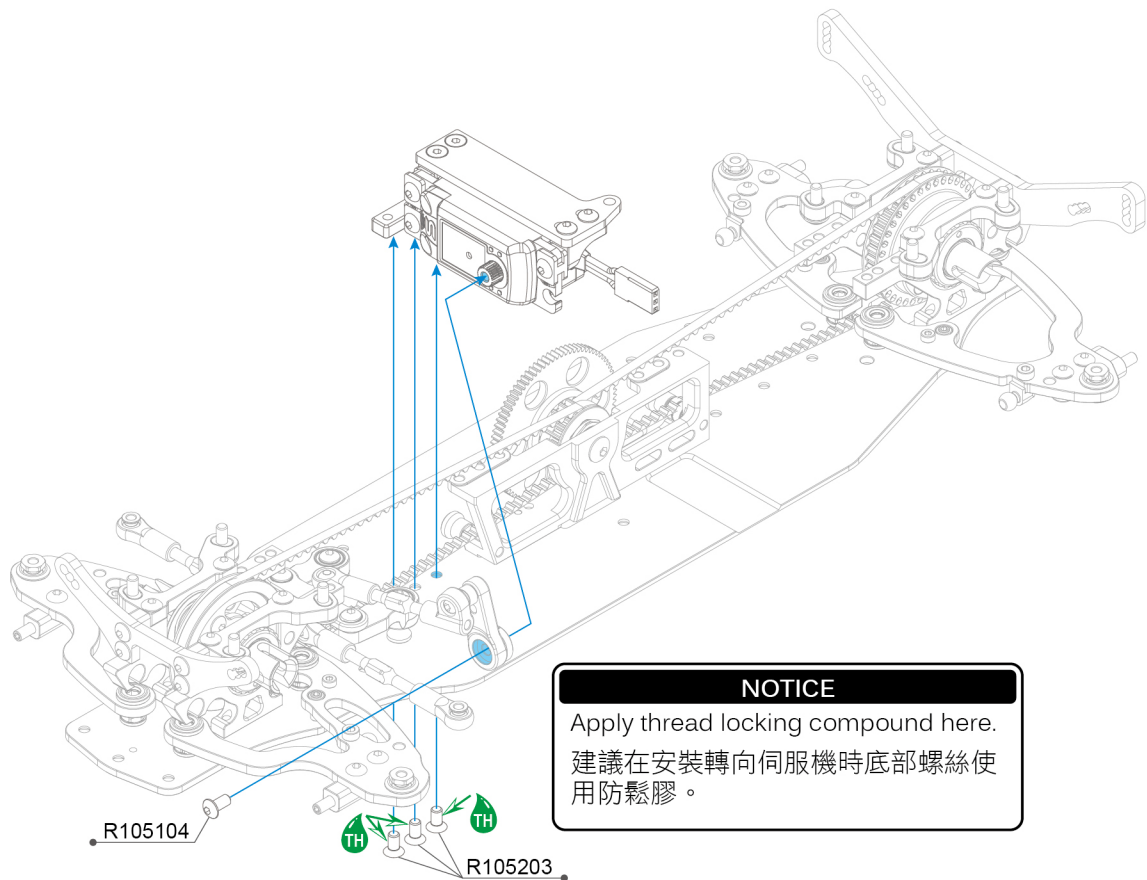
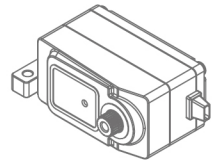
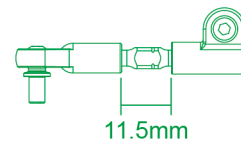
It is recommended to use servo mount rubber.  
建議安裝時使用伺服機防震膠套。

### Option Parts (Not Included) / 改裝品 (未附於套件內)

#### R129007

R12 SRS Super Response Servo

When using R129007 the steering rod length must change to 10mm  
建議可選用R129007 R12專用高速伺服機，並將轉向連桿中間的長度修改成10mm。



### NOTICE

Apply thread locking compound here.  
建議在安裝轉向伺服機時底部螺絲使用防鬆膠。

R105104 3x6 Round Screw (10)  
R105105 3x8 Round Screw (10)  
R105203 3x6mm Flat Screw (10)

R111063 R11 Servo Mount-Left  
R122008 R12 Servo Mount-Alu  
R128008 R12 Servo Mount Plate



**R103050**  
3x5x0.3mm Shims (10)



**R105104**  
3x6 Round Screw (10)



**R105105**  
3x8 Round Screw (10)



**R106001**  
3x6x2.5mm Ball Bearing (2)

1:1 Scale

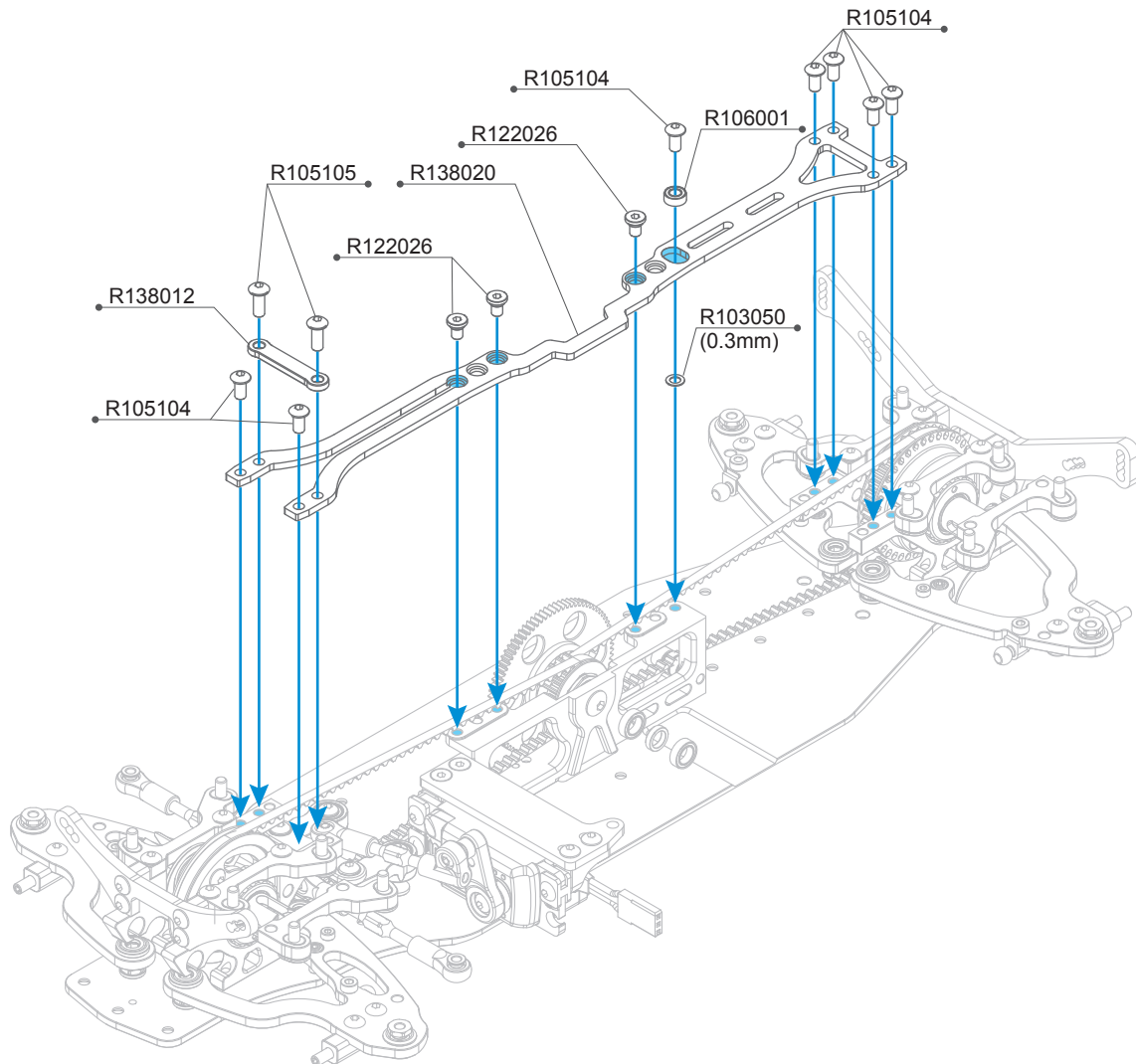
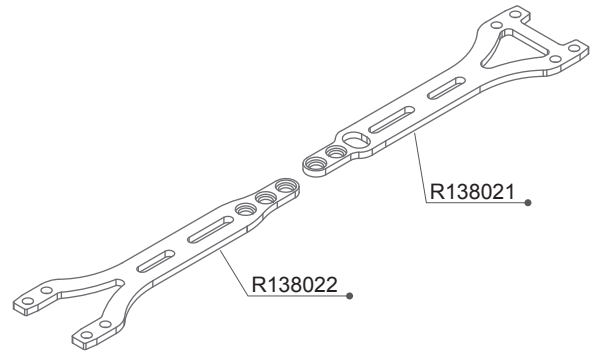
### Option Parts (Not Included) / 改裝品(未附於套件內)

**R138021** A10 Rear Upper Deck

**R138022** A10 Front Upper Deck

The optional 2-piece top decks are a useful tuning aid to fine tune the flex for the A10. It allows front and rear flex to be independently adjusted according to track conditions.

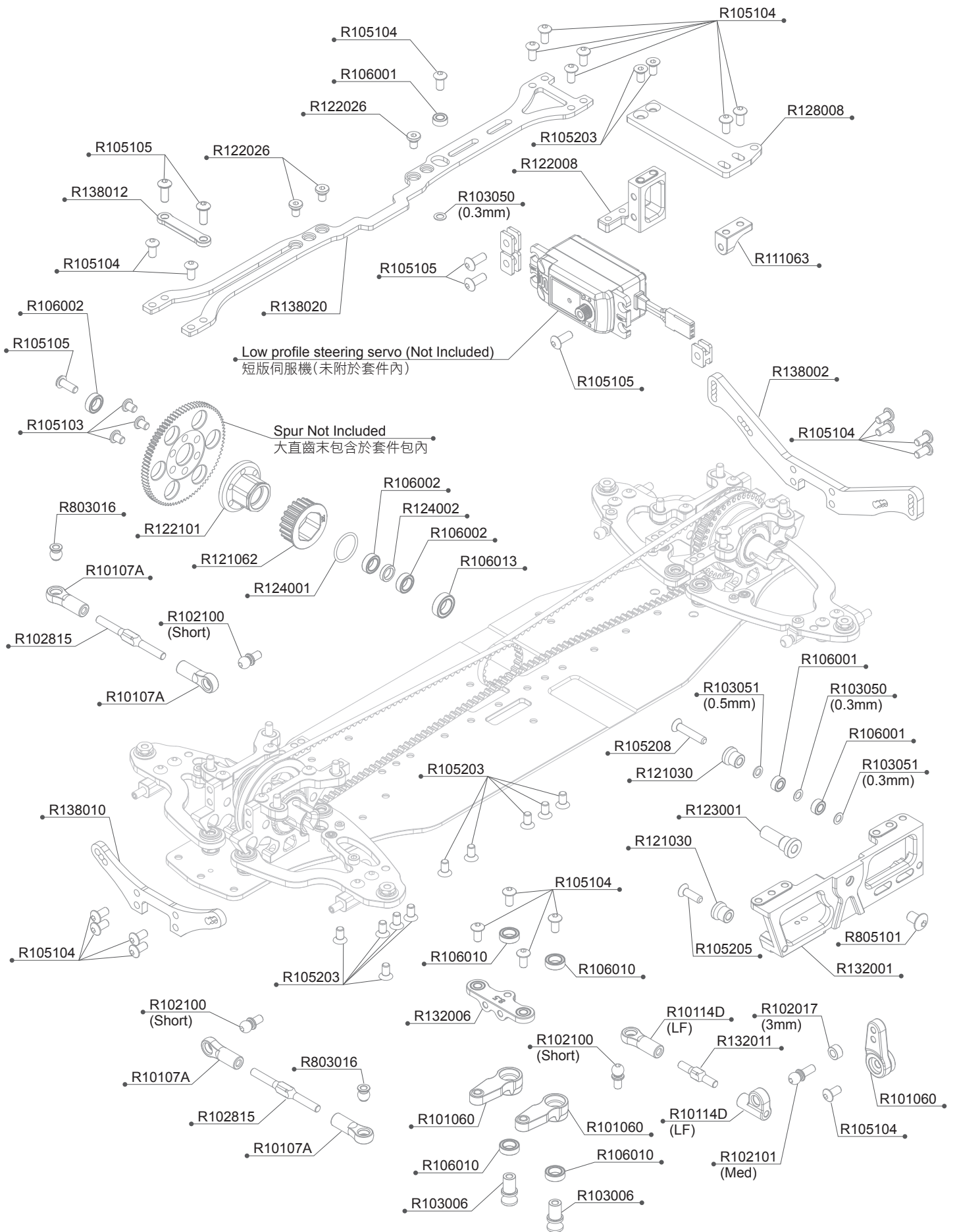
分離式的二樓板前方二樓板R138021,後方二樓板R138022  
這二種改裝二樓板可以用來調整A10, 相比於原廠一片式二樓板, 分離式的前方與後方分別可以分開調整, 並可以調整到較高的硬度。



R103050 3x5x0.3mm Shims (10)  
R105104 3x6 Round Screw (10)  
R105105 3x8 Round Screw (10)  
R106001 3x6x2.5mm Ball Bearing (2)

R122026 R12 Upper Deck Screw-Titanium (3)  
R138012 Upper Deck Stiffener  
R138020 A10 Upper Deck 2.0mm



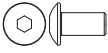

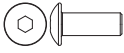









## A10 BAG 03 PARTS EXPLODED VIEW



## A10 BAG 03 PARTS LIST

R101060	Servo Horn Dual steering arm	R111063	R11 Servo Mount-Left
R10107A	Ball Joint 4.9mm Open (6pcs)	R121030	R12 Eccentric Hub (4)
R10114D	Steering Rod Ball Joint Set (LF)	R121062	R12 Kevlar Center Pulley 20T
R102017	3X5.5X3mm Alu Shims(4pcs)	R122008	R12 Servo Mount-Alu
R102100	Alu 4.9mm Ball End Short(4pcs)	R122026	R12 Upper Deck Screw-Titanium (3)
R102101	Alu 4.9mm Ball End Med(4pcs)	R122101	R12 Center Pulley Hub-Alu
R102815	Turnbuckle 3x37mm ALU-7075 (2pcs)	R123001	R12 Spur Shaft
R103006	Steering Shaft(2pcs)	R124001	10x1 O'ring (4)
R103050	3x5x0.3mm Shims (10)	R124002	5x7x1.7 Teflon Ring (2)
R103051	3x5x0.5mm Shims (10)	R128008	R12 Servo Mount Plate
R105103	3x4 Round Screw (10)	R132001	A10 Motor Bulkhead
R105104	3x6 Round Screw (10)	R132006	Steering Plate 8.5-V2
R105105	3x8 Round Screw (10)	R132011	Turnbuckle 3x23mm Alu-7075 (2)
R105203	3x6mm Flat Screw (10)	R138002	A10 Rear Shock Tower
R105205	3x10mm Flat Screw (10)	R138010	A10 Front Shock Tower
R105208	3x16mm Flat Screw (10)	R138012	Upper Deck Stiffener
R106001	3x6x2.5mm Ball Bearing (2)	R138020	A10 Upper Deck 2.0mm
R106002	5x8x2.5mm Ball Bearing /Metal Seal (4)	R803016	Ball Head 4.9mm (4)
R106010	5x8x2.5mm Ball Bearing (4pcs)	R805101	4x6 Round Screw (10)
R106013	6x10x3 Ball Bearing (2)		

## 1:1 SCALE

	R105103 3x4 Round Screw (10)		R102017 3x5.5x3mm Alu Shims (4)
	R105104 3x6 Round Screw (10)		R103050 3x5x0.3mm Shims (10)
	R105105 3x8 Round Screw (10)		R103051 3x5x0.5mm Shims (10)
	R105203 3x6mm Flat Screw (10)		R106001 3x6x2.5mm Ball Bearing (2)
	R105205 3x10mm Flat Screw (10)		R106002 5x8x2.5mm Ball Bearing /Metal Seal (4)
	R105208 3x16mm Flat Screw (10)		R106010 5x8x2.5mm Ball Bearing (4)
	R805101 4x6 Round Screw (10)		R106013 6x10x3mm Ball Bearing (2)

## FRONT STEERING BLOCK / 前方轉向組合說明

BAG 04

**R102018**  
3x5.5x4mm Alu Shims (4)

**R133011**  
5x7x1.7mm Shims (2)

**R106012**  
Low Friction Ball Bearing  
5x10x4 (4)

**R106101**  
Ø2x9.8 Pin (10)

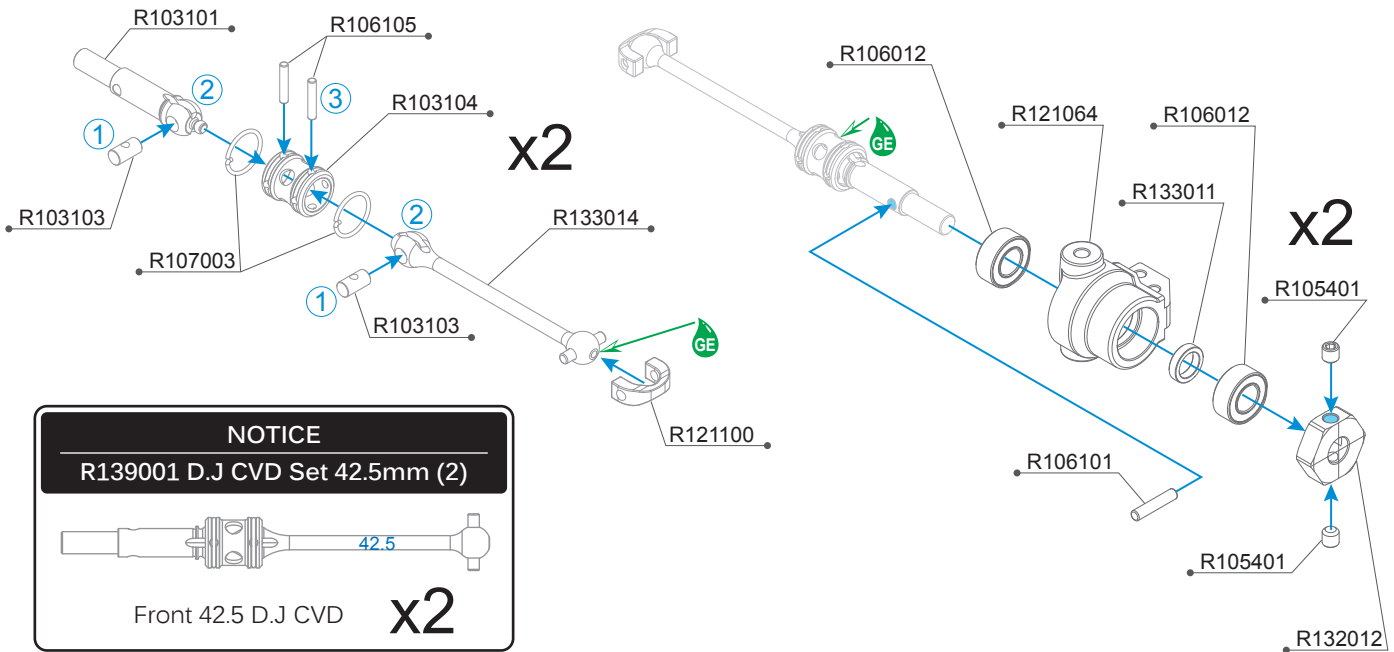
**R106105**  
Ø1.5x8 Pin (10)

**R105401**  
3x3mm Set Screw (10)

**R105403**  
3x8mm Set Screw (10)

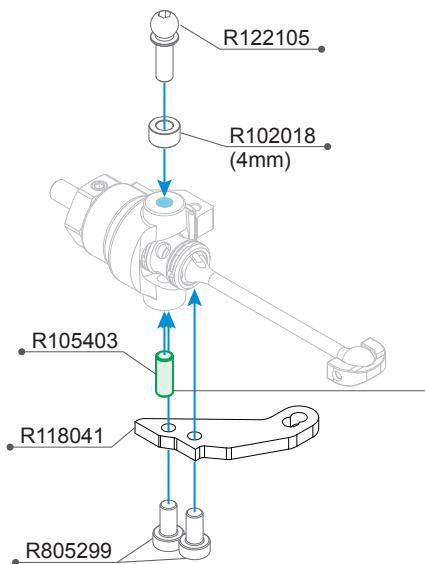
**R805299**  
2.5x6mm Cap Screw (10)

1:1 Scale



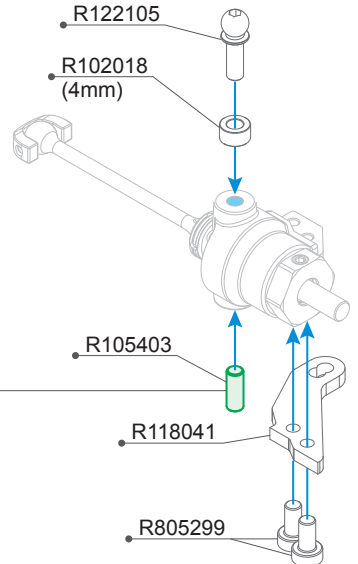
**NOTICE**  
R139001 D.J CVD Set 42.5mm (2)

Front 42.5 D.J CVD **x2**



**NOTICE**  
Please refer to the below diagram to set the R105403 3x8 set screw to the correct length.  
請依圖示調整R105403 3X8mm 無頭螺絲的長度。

3.5mm

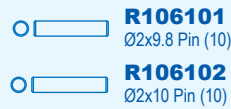


- R102018 3X5.5X4mm Alu Shims(4pcs)
- R103101 D.J CVD Wheel Shaft (1pcs)
- R103103 D.J CVD Insert(2pcs)
- R103104 D.J CVD Joint (1pcs)
- R105401 3x3mm Set Screw (10)
- R105403 3x8mm Set Screw (10)
- R106012 Low Friction Ball Bearing 5x10x4 (4pcs)
- R106101 2x9.8mm Pin (10pcs)
- R106105 1.5x8mm Pin (10pcs)

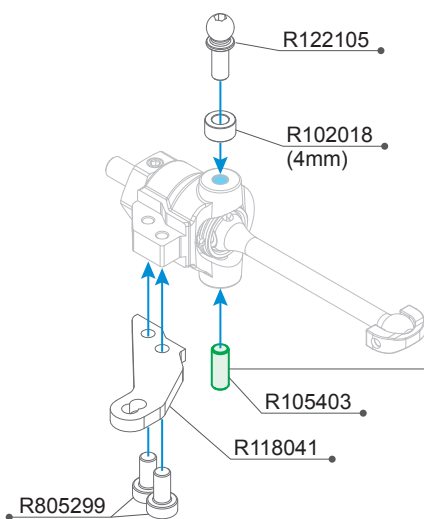
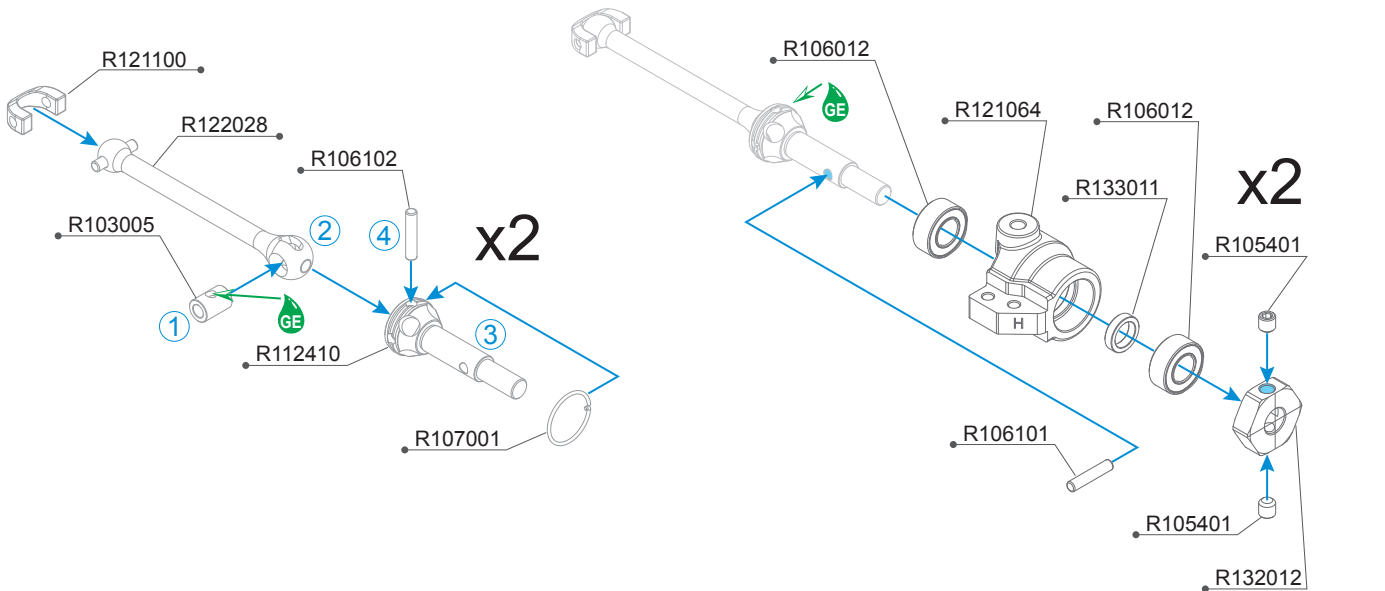
- R107003 D.J CVD G-Clip(8pcs)
- R118041 R11 Steering Plate-Std (2)
- R121064 R12 Steering Block-Hard
- R121100 C Cap V2 (16pcs)
- R122105 Titanium 4.9mm Ball End (2)
- R132012 Zero Play Hex Hub (-0.75mm) (2)
- R133011 5x7x1.7mm Ring (4)
- R133014 D.J CVD Shaft 42.5mm (2)
- R805299 2.5x6mm Cap Screw (10)

## REAR STEERING BLOCK / 後方轉向組合說明

BAG 04



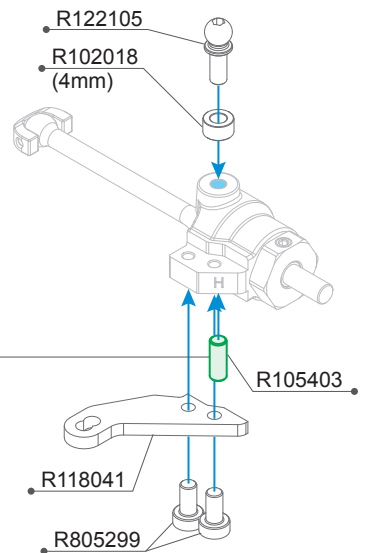
1:1 Scale



**NOTICE**

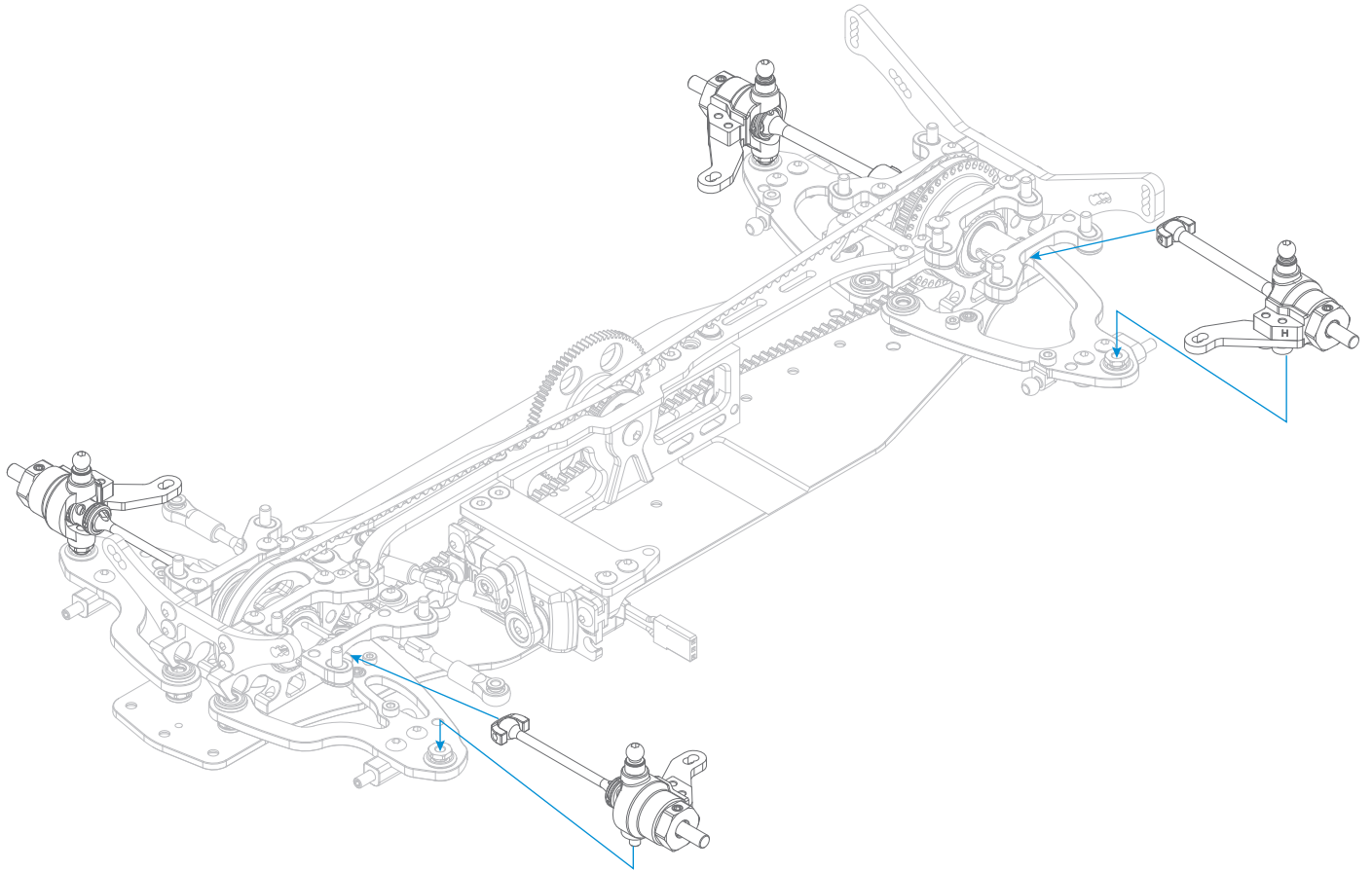
Please refer to the below diagram to set the R105403 3x8 set screw to the correct length.  
請依圖示調整R105403 3X8mm 無頭螺絲的長度。

3.5mm

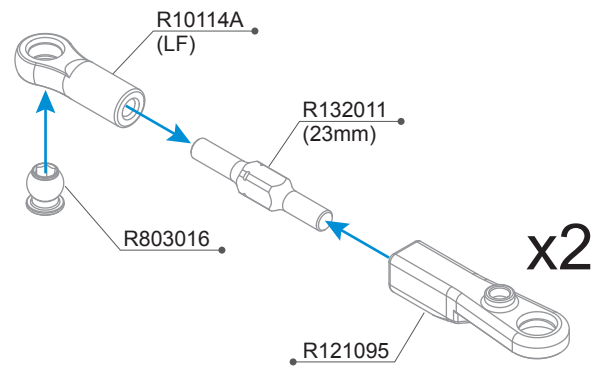
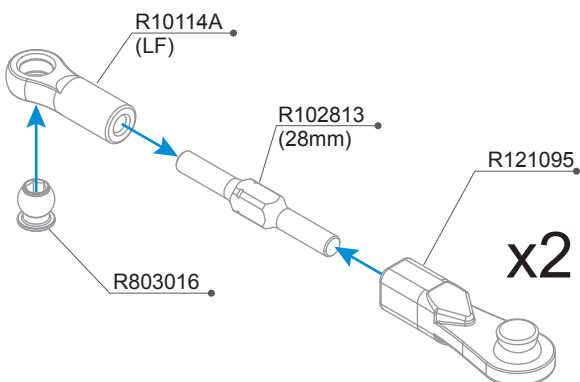


- R102018 3X5.5X4mm Alu Shims(4pcs)
- R103005 CVD Insert(2pcs)
- R105401 3x3mm Set Screw (10)
- R105403 3x8mm Set Screw (10)
- R106012 Low Friction Ball Bearing 5x10x4 (4pcs)
- R106101 2x9.8mm Pin (10pcs)
- R106102 2x10mm Pin (10pcs)
- R107001 CVD G-Clip(8pcs)
- R112410 Wheel Axle -Alu (2)

- R118041 R11 Steering Plate-Std (2)
- R121064 R12 Steering Block-Hard
- R121100 C Cap V2 (16pcs)
- R122028 CVD-Alu 44mm
- R122105 Titanium 4.9mm Ball End (2)
- R132012 Zero Play Hex Hub (-0.75mm) (2)
- R133011 5x7x1.7 Steel Ring (2)
- R805299 2.5x6mm Cap Screw (10)



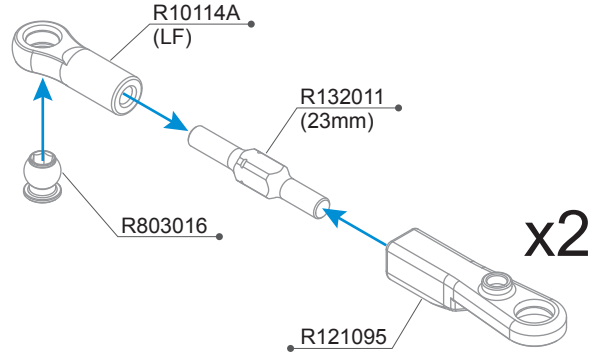
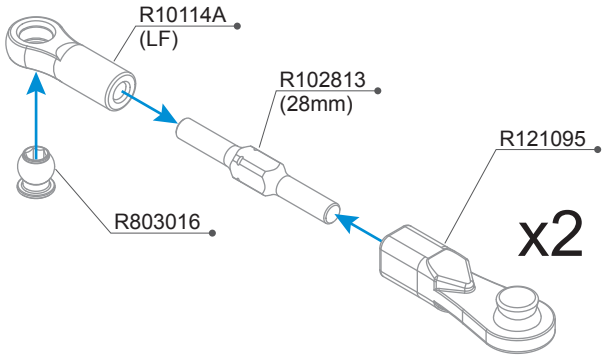
## FRONT / 前連桿



- R10114A Ball Joint 4.9mm Open 6pcs (LF)
- R102813 Turnbuckle 3x28mm ALU-7075 (2pcs)
- R121095 Upper A-Arm V2 (2)

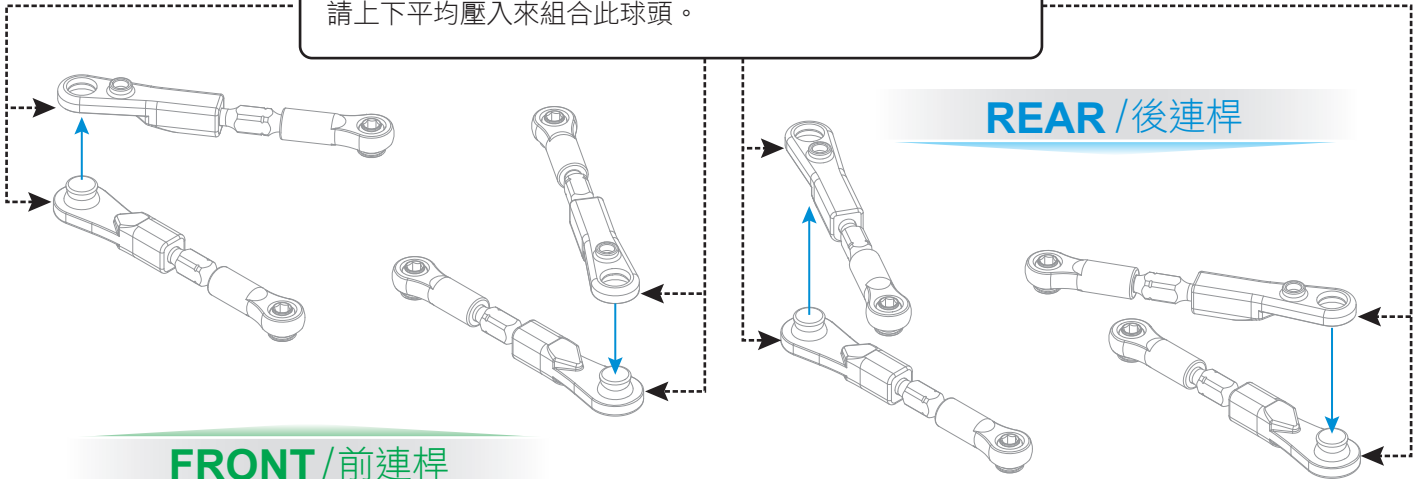
- R132011 Turnbuckle 3x23mm Alu-7075 (2)
- R803016 Ball Head 4.9mm (4)

## REAR / 後連桿



### NOTICE

Press top and bottom ball ends together with even pressure.  
請上下平均壓入來組合此球頭。

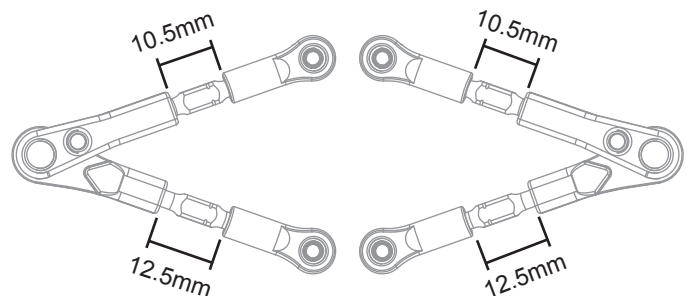
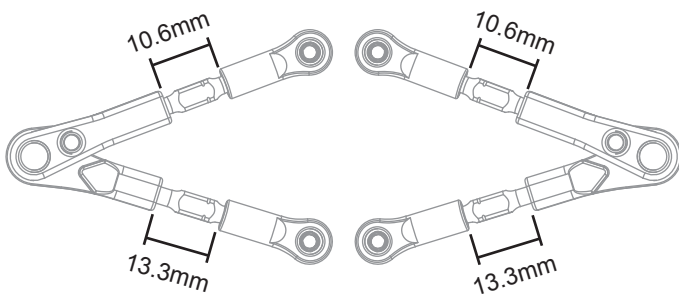


## FRONT / 前連桿

### INITIAL SETUP OF LINK LENGTH

FRONT END / 車頭方向

FRONT END / 車頭方向

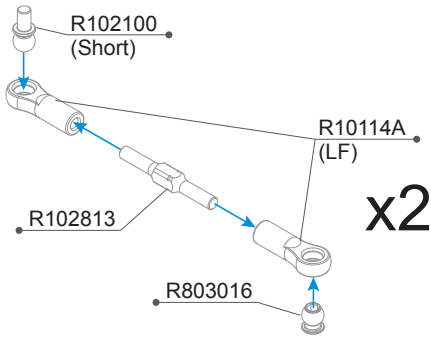


## FRONT / 前連桿

## REAR / 後連桿

- R10114A Ball Joint 4.9mm Open 6pcs (LF)
- R102813 Turnbuckle 3x28mm ALU-7075 (2pcs)
- R121095 Upper A-Arm V2 (2)

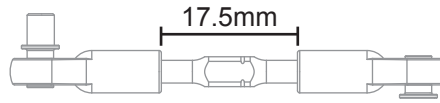
- R132011 Turnbuckle 3x23mm Alu-7075 (2)
- R803016 Ball Head 4.9mm (4)



### Rear Toe linkage length / 後連桿長度

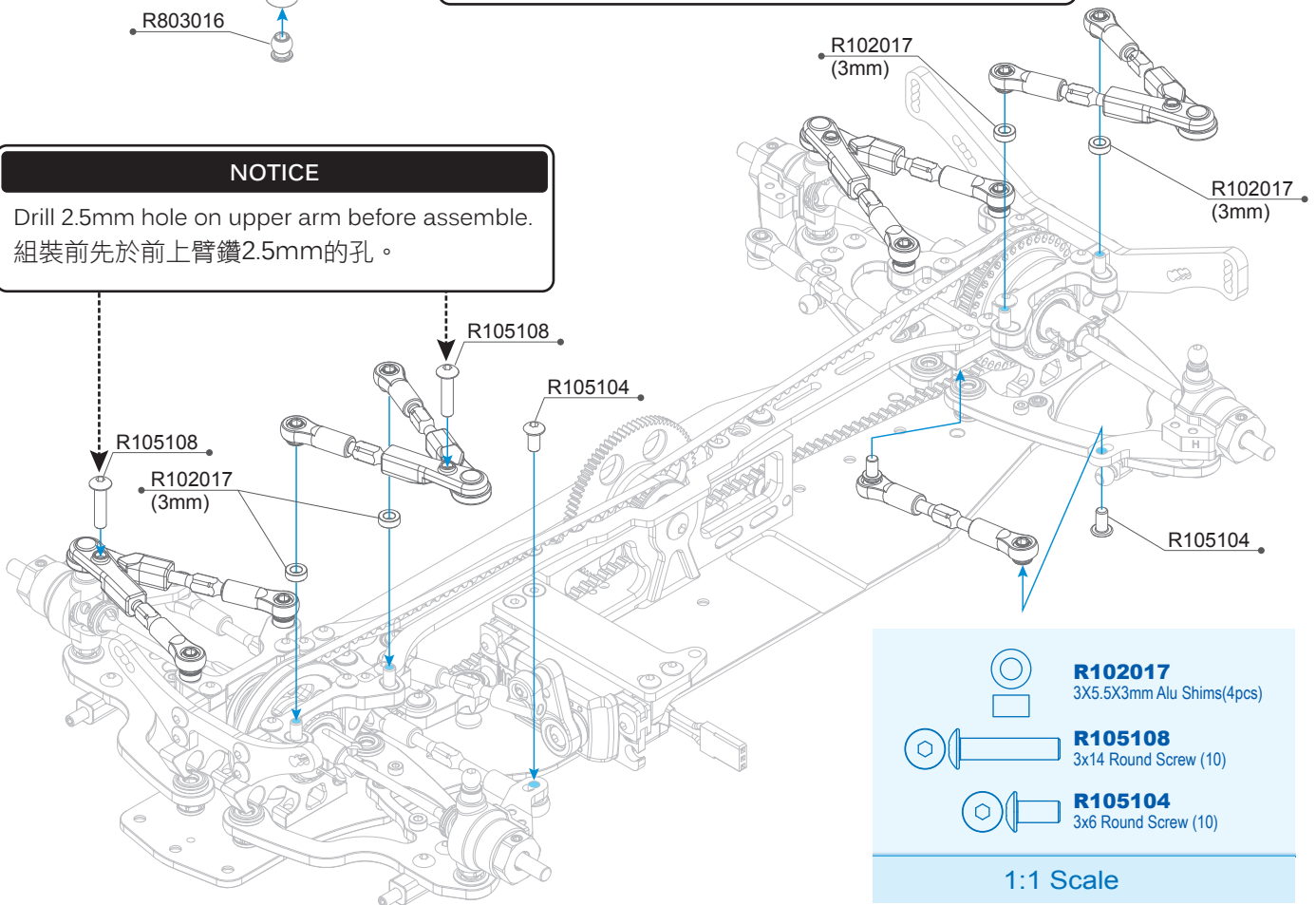
Set the Rear Toe linkage length to 17.5mm. With 2mm shims on the Rear Toe steering block, this will provide 3 degree rear toe at normal ride height.

後連桿長度預設為17.5mm，此時後前束角為3度。



### NOTICE

Drill 2.5mm hole on upper arm before assemble.  
組裝前先於前上臂鑽2.5mm的孔。



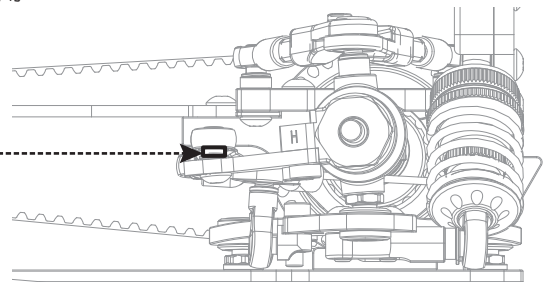
### NOTICE

#### Rear Toe Linkage Setup Instruction / 後連桿設定說明

The rear toe angle can be set up by adjusting the rear toe linkage, the rear toe angle will be different when the rear ride height changes. the default setup with 0mm shims, the rear toe will increase 0.5 degree when rear ride height at 0mm.

後前束角的角度可以用後前束角連桿來調整，後前速角的變化量可以用墊片來做調整，預設是不用墊片(0mm)，後前束角的變化量是0.5度。

Rear Toe Shim Thickness 後連桿墊片厚度	Toe Angle Increase 後前束角變化量
0mm	0.5°
1mm	1.0°
2mm	1.5°



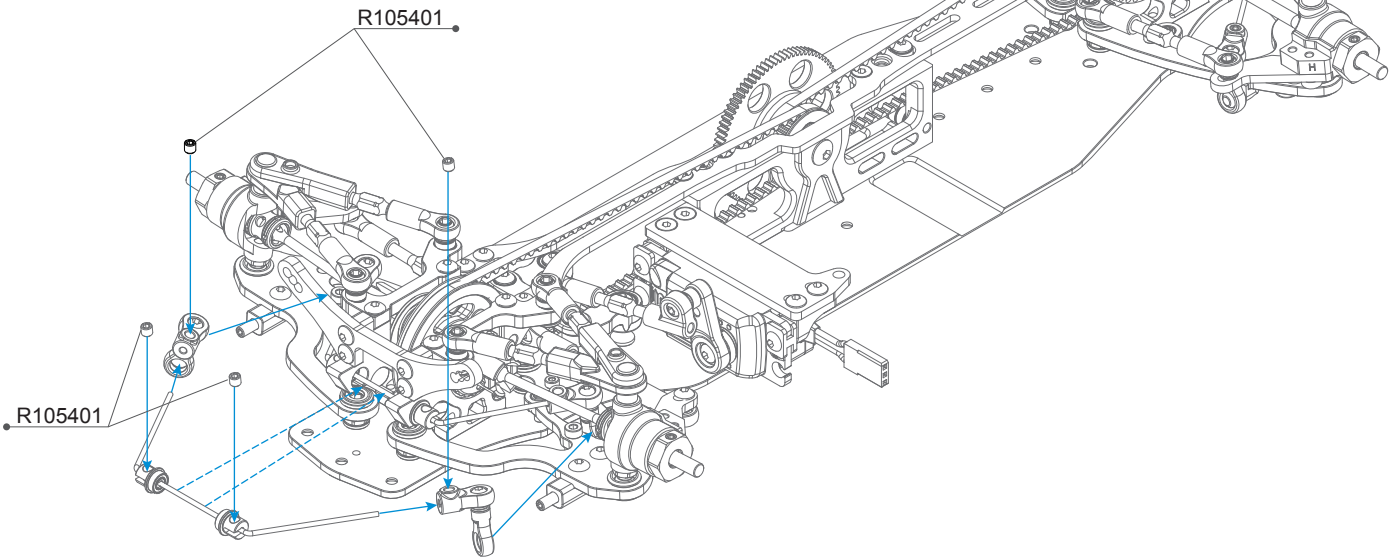
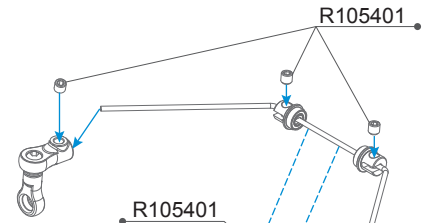
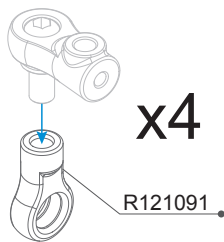
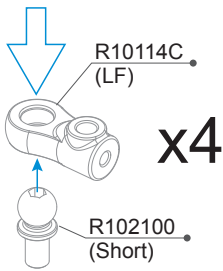
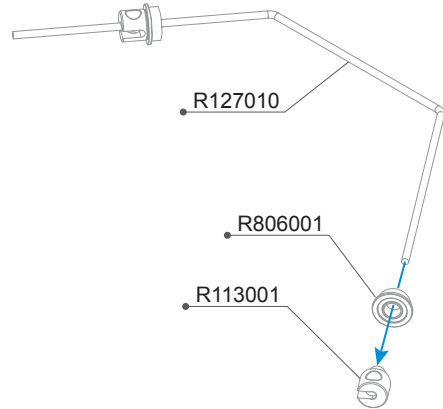
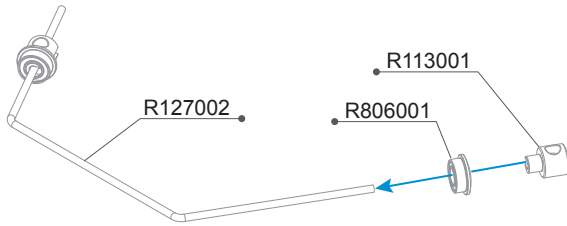
- R10114A Ball Joint 4.9mm Open 6pcs (LF)
- R102017 3X5.5X3mm Alu Shims(4pcs)
- R102100 Alu 4.9mm Ball End Short(4pcs)
- R102813 Turnbuckle 3x28mm ALU-7075 (2pcs)

- R105104 3x6 Round Screw (10)
- R105108 3x14 Round Screw (10)
- R803016 Ball Head 4.9mm (4)

**R105401**  
3x3mm Set Screw (10)

**R806001**  
3x6x2.5mm Flange Ball Bearing (2)

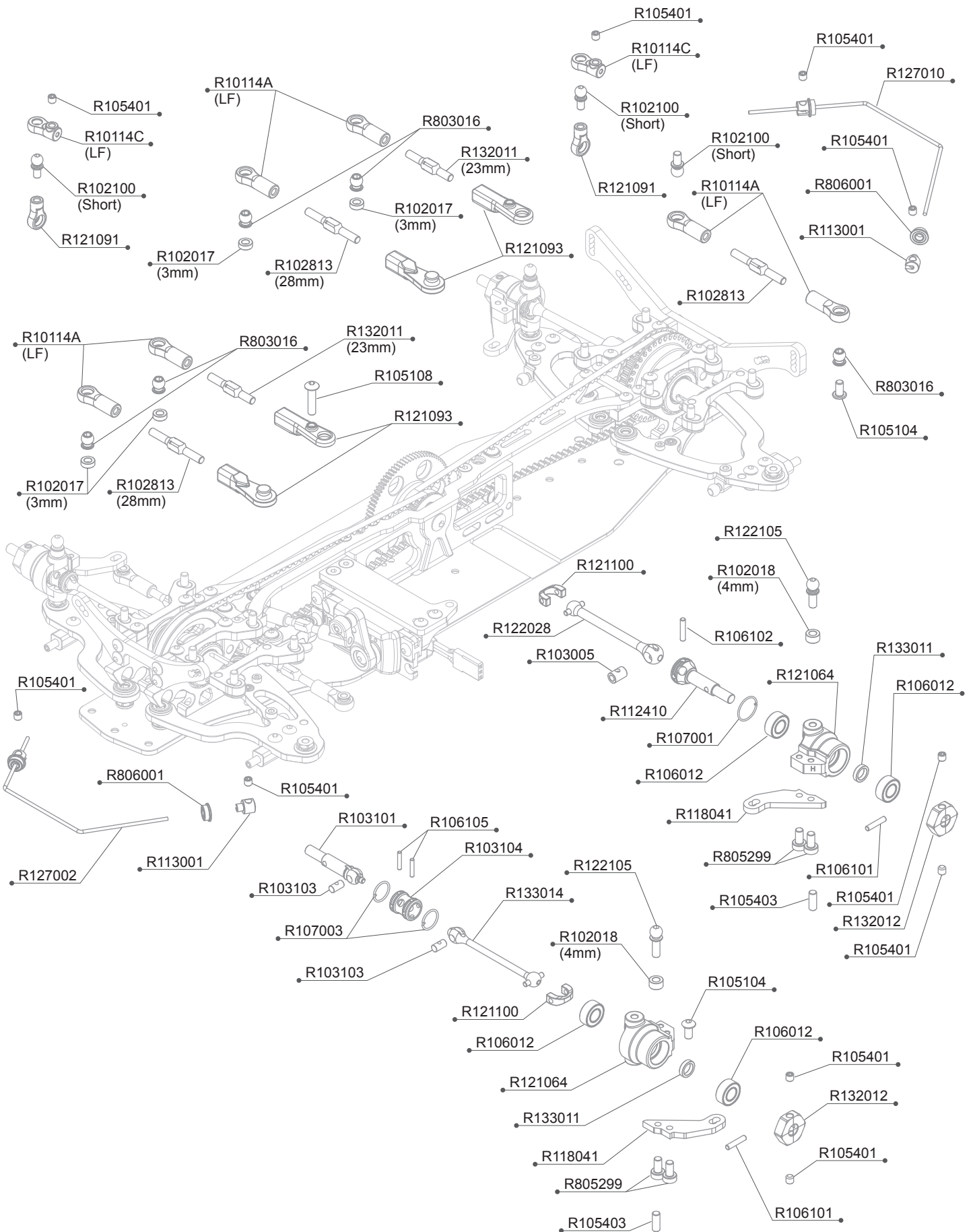
1:1 Scale



R10114C Anti Roll Bar Joint 4pcs (LF)  
R102100 Alu 4.9mm Ball End Short(4pcs)  
R105401 3x3mm Set Screw (10)  
R113001 Anti-Roll Bar Holder (2)

R121091 Ball End 4.9mm Ex-Short (4)  
R127002 R12 Front Anti-Roll Bar 1.3mm  
R127010 R12 Rear Anti-Roll Bar 1.3mm  
R806001 3x6x2.5 Flange Ball Bearing (2)

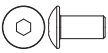

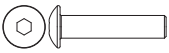







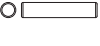


## A10 BAG 04 PARTS EXPLODED VIEW



## A10 BAG 04 PARTS LIST

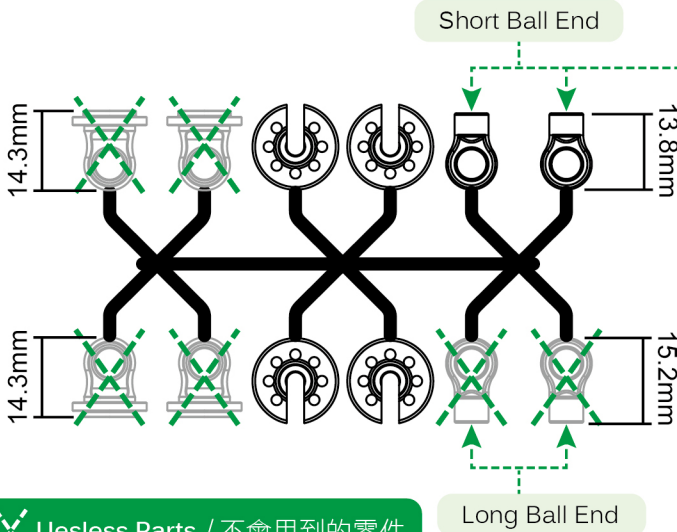
R10107A	Ball Joint 4.9mm Open (6pcs)	R107003	D.J CVD G-Clip(8pcs)
R10107C	Anti-Roll Bar Joint (4pcs)	R112410	Wheel Axle -Alu (2)
R10114A	Ball Joint 4.9mm Open 6pcs (LF)	R113001	Anti-Roll Bar Holder (2)
R102017	3x5.5x3mm Alu Shims(4pcs)	R118041	R11 Steering Plate-Std (2)
R102018	3x5.5x4mm Alu Shims(4pcs)	R121064	R12 Steering Block-Hard
R102100	Alu 4.9mm Ball End Short(4pcs)	R121091	Ball End 4.9mm Ex-Short (4)
R102813	Turnbuckle 3x28mm ALU-7075 (2pcs)	R121093	Upper A-Arm (2)
R103005	CVD Insert(2pcs)	R121100	C Cap V2 (16pcs)
R103101	D.J CVD Wheel Shaft (1pcs)	R122028	CVD-Alu 44mm
R103103	D.J CVD Insert(2pcs)	R122105	Titanium 4.9mm Ball End (2)
R103104	D.J CVD Joint (1pcs)	R127002	R12 Front Anti-Roll Bar 1.3mm
R105104	3x6 Round Screw (10)	R127010	R12 Rear Anti-Roll Bar 1.3mm
R105108	3x14 Round Screw (10)	R132011	Turnbuckle 3x23mm Alu-7075 (2)
R105401	3x3mm Set Screw (10)	R132012	Zero Play Hex Hub (-0.75mm) (2)
R105403	3x8mm Set Screw (10)	R133011	5x7x1.7 Steel Ring (2)
R106012	Low Friction Ball Bearing 5x10x4 (4pcs)	R133014	D.J CVD Shaft 42.5mm (2)
R106101	2x9.8mm Pin (10pcs)	R139001	D.J CVD Set 42.5mm
R106102	2x10mm Pin (10pcs)	R803016	Ball Head 4.9mm (4)
R106105	1.5x8mm Pin (10pcs)	R805299	2.5x6mm Cap Screw (10)
R107001	CVD G-Clip(8pcs)	R806001	3x6x2.5 Flange Ball Bearing (2)

## 1:1 SCALE

	R105104 3x6 Round Screw (10)		R102017 3x5.5x3mm Alu Shims (4)
	R105108 3x14 Round Screw (10)		R102018 3x5.5x4mm Alu Shims (4)
	R105401 3x3mm Set Screw (10)		R106012 Low Friction Ball Bearing 5x10x4
	R105403 3x8mm Set Screw (10)		R133011 5x7x1.7mm Shims (2)
	R106101 Ø2x9.8 Pin (10)		R806001 3x6x2.5mm Flange Ball Bearing (2)
	R106102 Ø2x10 Pin (10)		R805299 2.5x6mm Cap Screw (10)
	R106105 Ø1.5x8 Pin (10)		

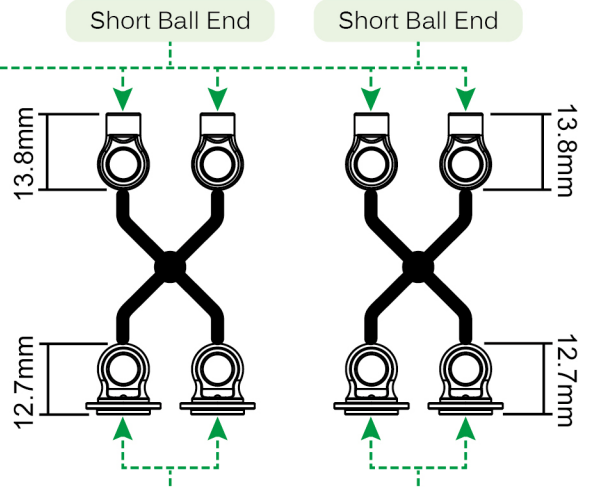
### NOTICE

#### R101130 Shock Ball Joint Set Big Bore



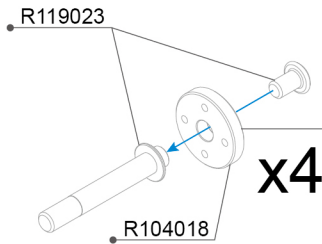
**X Useless Parts / 不會用到的零件**

#### R111050 Shock Ball End Set-Ultra Short (2)



Using only R111050 ultra short upper ball end  
只使用R111050超短的避震器上蓋

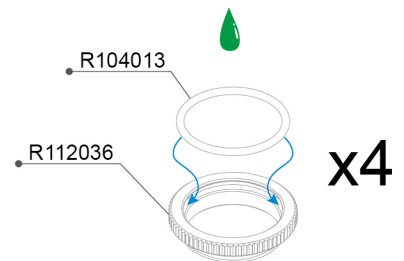
#### Option Parts (Not Included) / 改裝品 (未附於套件內)



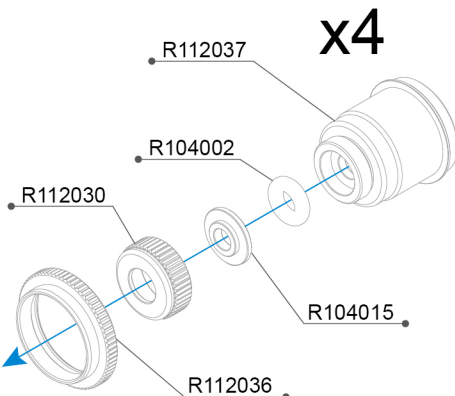
#### R114010 PDS Piston (2)

Using only together with R112038.  
必須與R112038搭配使用。

Apply shock oil before assembly  
請塗抹少許的避震油於O型環上

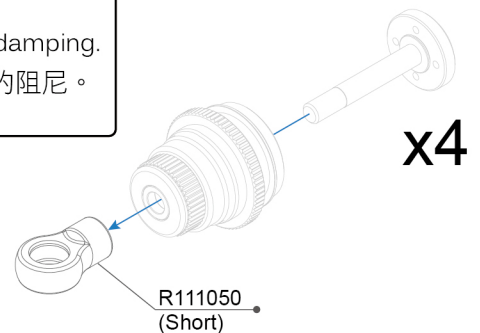


#### Option Parts (Not Included) / 改裝品 (未附於套件內)



#### R112038 PDS Cylinder-Ultra Short (2)

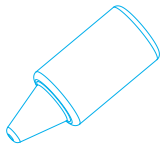
The PDS will provide progressive damping.  
使用PDS可以使避震器有漸進式的阻尼。



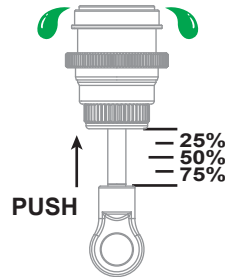
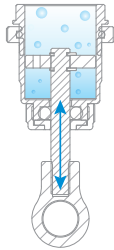
- R104002 O'ring 3x2(4pcs)
- R104013 O'ring 13x1 (2pcs)
- R104015 Shock Shaft Shim (4pcs)
- R104018 Shock Piston Big Bore 1.1mm x4 (4pcs)
- R111050 Shock Ball End Set-Ultra Short (2)

- R112030 R11 Shock Low Cap-Black (2)
- R112036 Shock Adj Nut-Ultra Short (2)
- R112037 Shock Body Ultra Short-MC (2)
- R119023 Short Shock Shaft -Screw Type (4)

### Silicone Oil #500

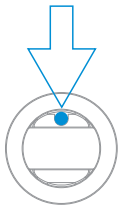
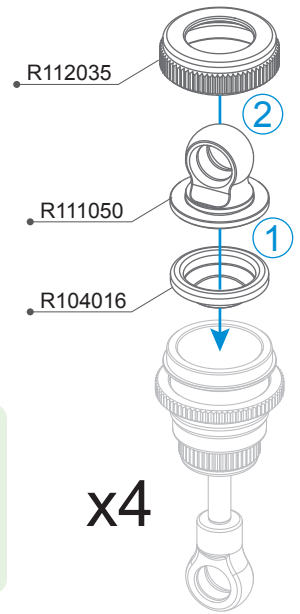


Move the shaft up and down to let the air escape from the oil  
上下移動活塞來將空氣排出。



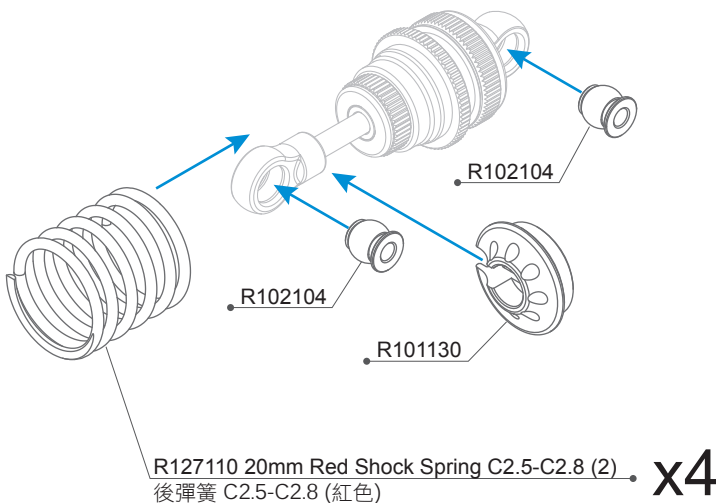
Fill the shock oil to the top of the shock body  
將矽油填滿整個桶身。

To adjust the rebound amount of the shock, push the shock shaft in to the required level to remove excess oil during assembly.  
將活塞回推到設定的回彈位置後，再將氣室放入並將多餘的油排除。

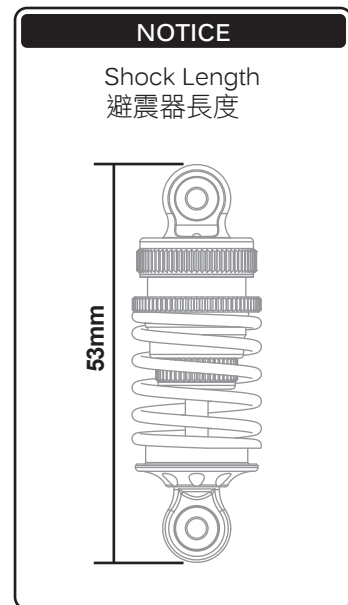


Drill the shock cap here to help provide zero rebound and softer dampening (optional setting).

上球頭有預留鑽孔的記號，可選擇是否打通，在鑽孔打通後可減少氣室回彈的力道。



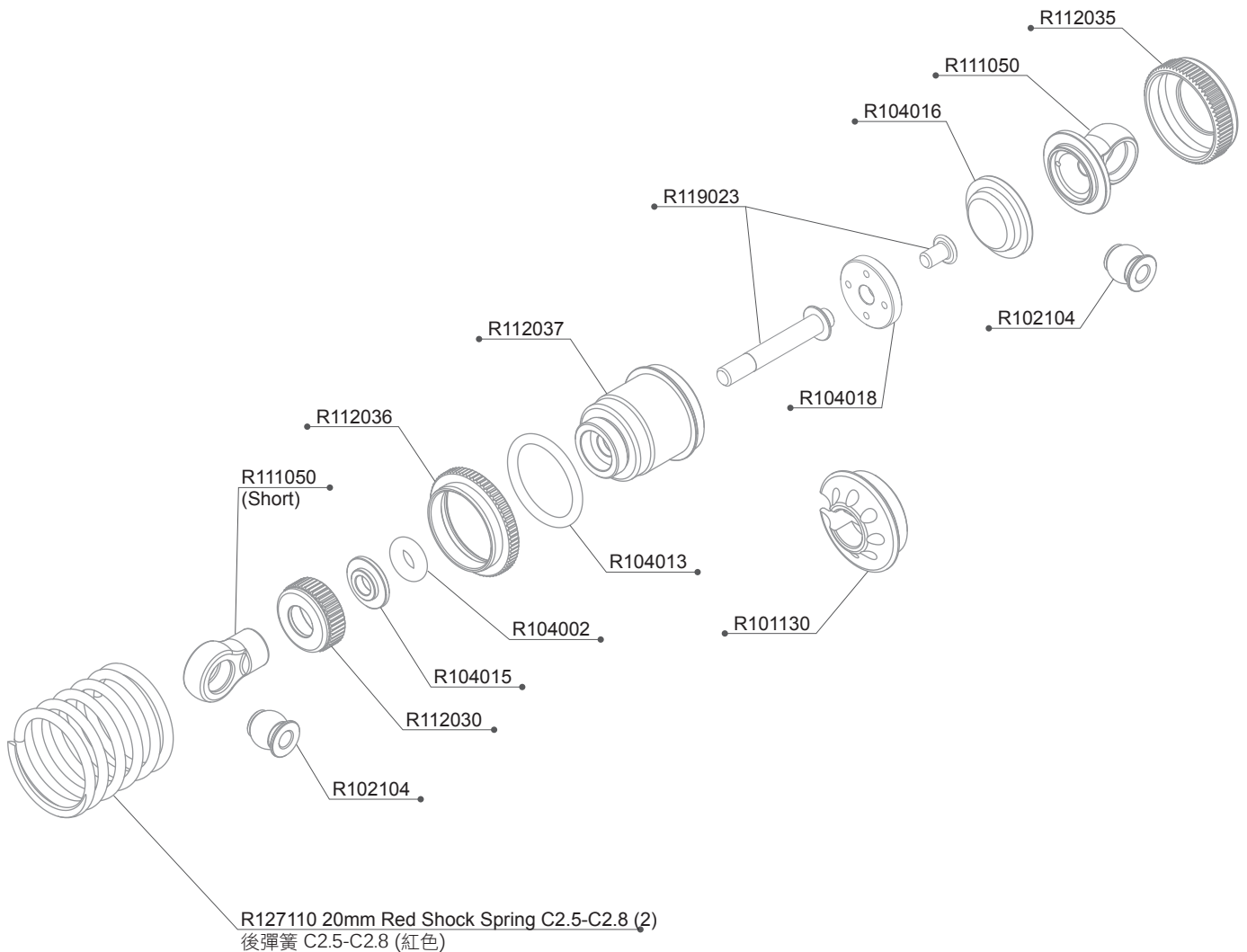
R127110 20mm Red Shock Spring C2.5-C2.8 (2) x4  
後彈簧 C2.5-C2.8 (紅色)



R101130 Shock Ball Joint Set Big Bore  
R102104 5.8mm Ball end Short type Alu (4pcs)  
R104016 Shock Membrane Big Bore (4pcs)

R111050 Shock Ball End Set-Ultra Short (2)  
R112035 Shock Cap-Ultra Short (2)  
R127110 20mm Red Shock Spring C2.5-C2.8 (2)

## A10 BAG 05 PARTS EXPLODED VIEW



## A10 BAG 05 PARTS LIST

R101130	Shock Ball Joint Set Big Bore	R111050	Shock Ball End Set-Ultra Short (2)
R102104	5.8mm Ball end Short type Alu (4pcs)	R112030	R11 Shock Low Cap-Black (2)
R104002	O'ring 3x2(4pcs)	R112035	Shock Cap-Ultra Short (2)
R104013	O'ring 13x1 (2pcs)	R112036	Shock Adj Nut-Ultra Short (2)
R104015	Shock Shaft Shim (4pcs)	R112037	Shock Body Ultra Short-MC (2)
R104016	Shock Membrane Big Bore (4pcs)	R119023	Short Shock Shaft -Screw Type (4)
R104018	Shock Piston Big Bore 1.1mm x4 (4pcs)	R127110	20mm Red Shock Spring C2.5-C2.8 (2)



**R105204**  
3x8mm Flat Screw (10)

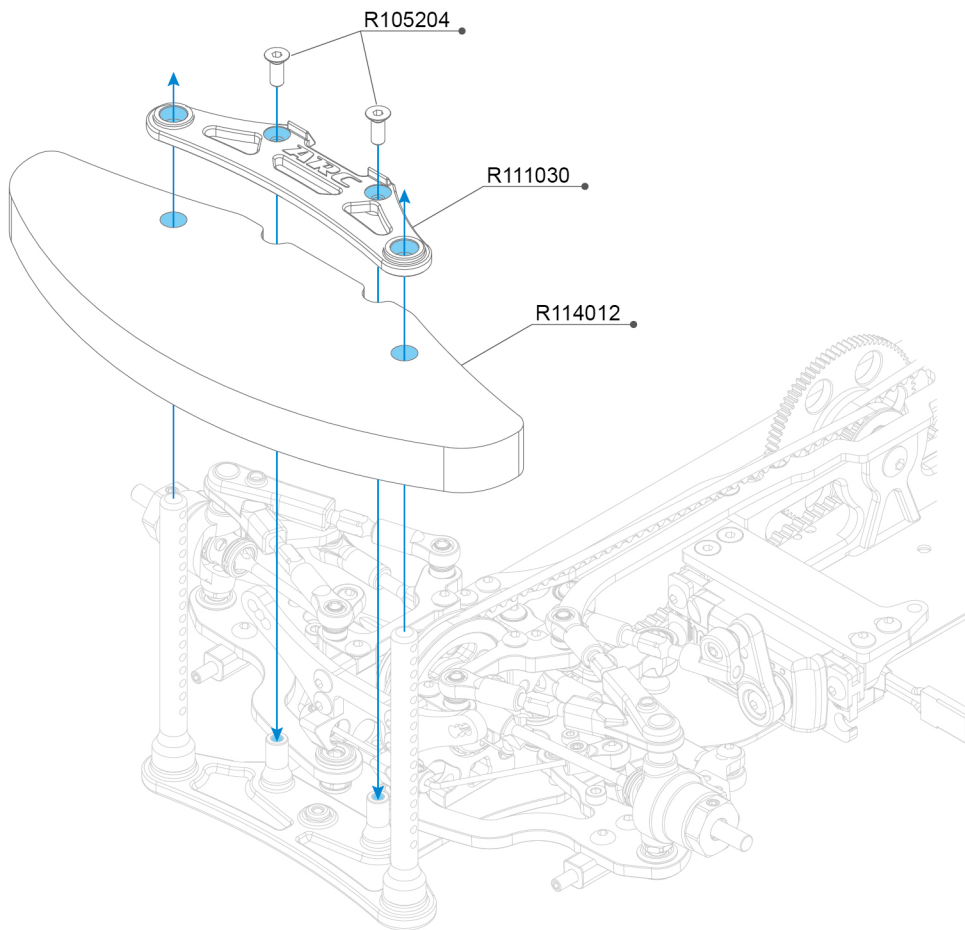
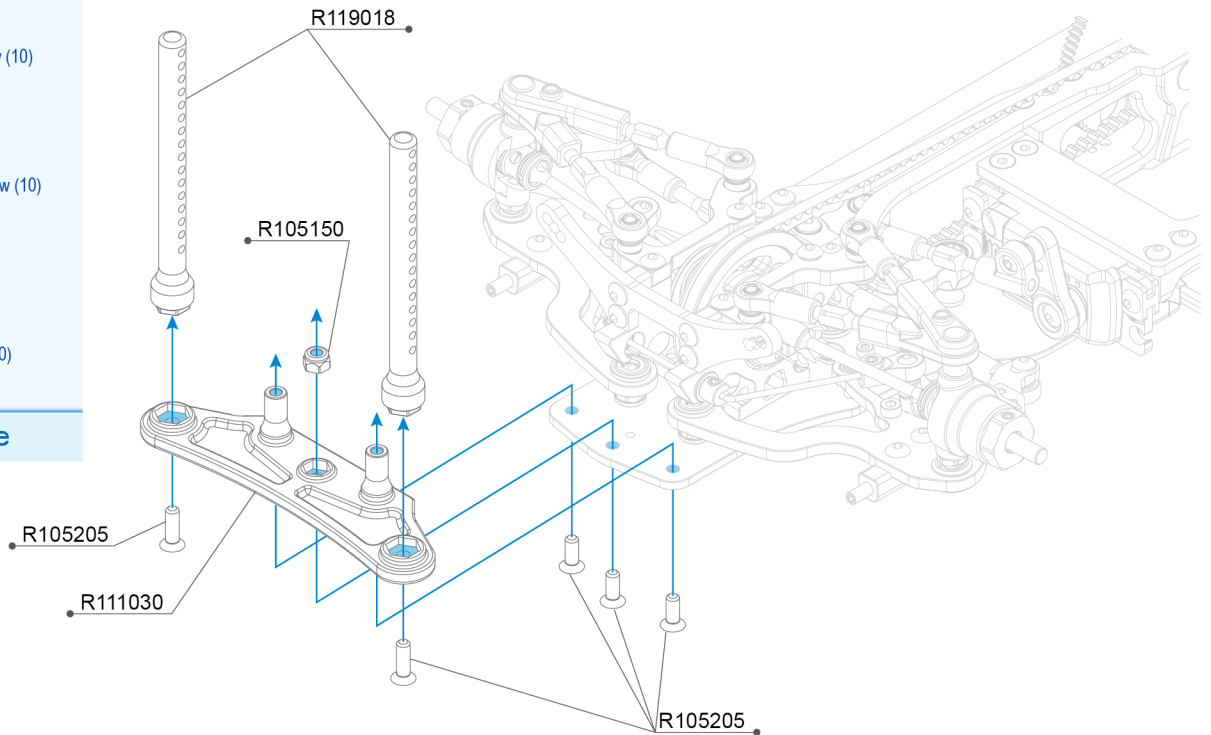


**R105205**  
3x10mm Flat Screw (10)



**R105150**  
3mm Nylon Nut (10)

1:1 Scale

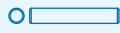


R105150 3mm Nylon Nut (10)  
R105204 3x8mm Flat Screw (10)  
R105205 3x10mm Flat Screw (10)

R111030 R11 2019 Bumper Set  
R114012 R11 2019 Foam Bumper-HARD  
R119018 R11 Body Mount Set

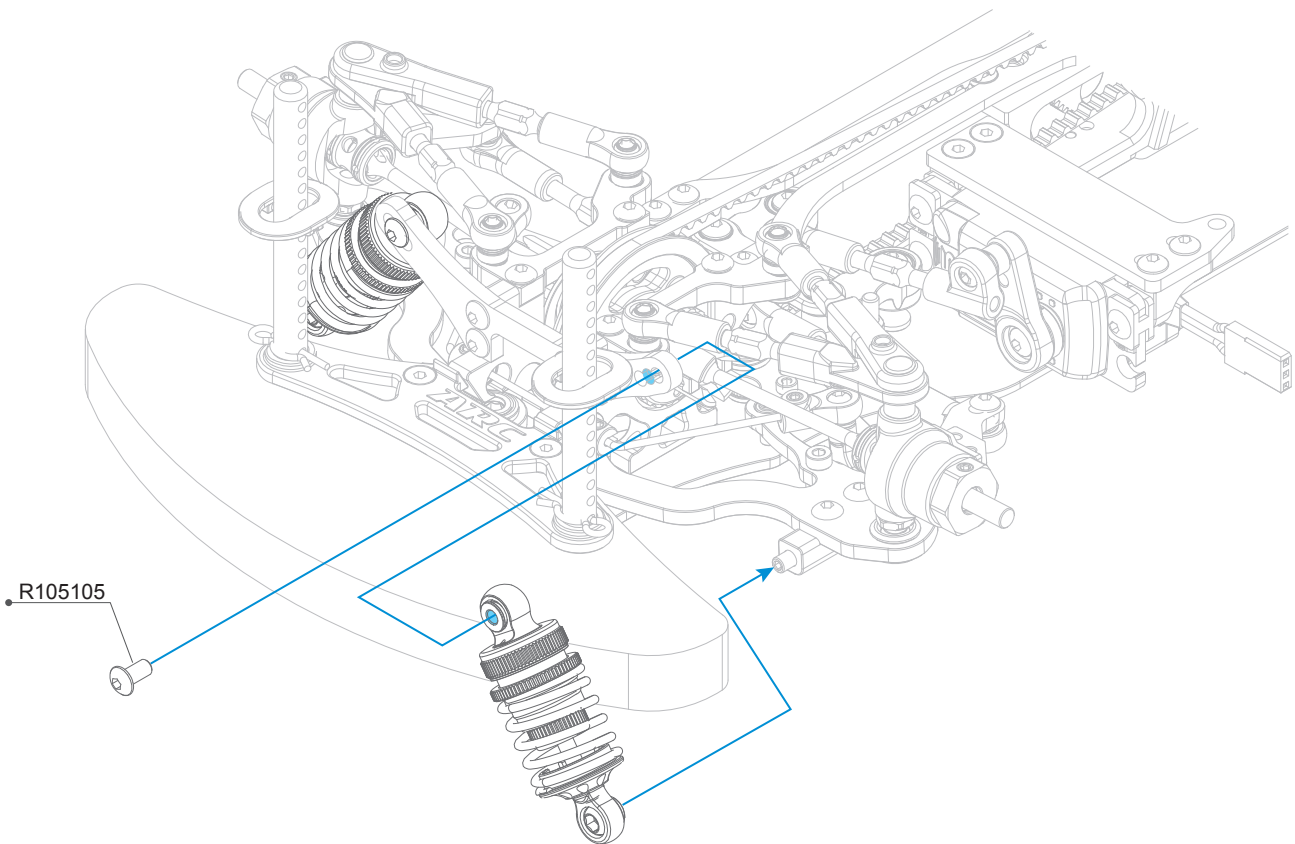
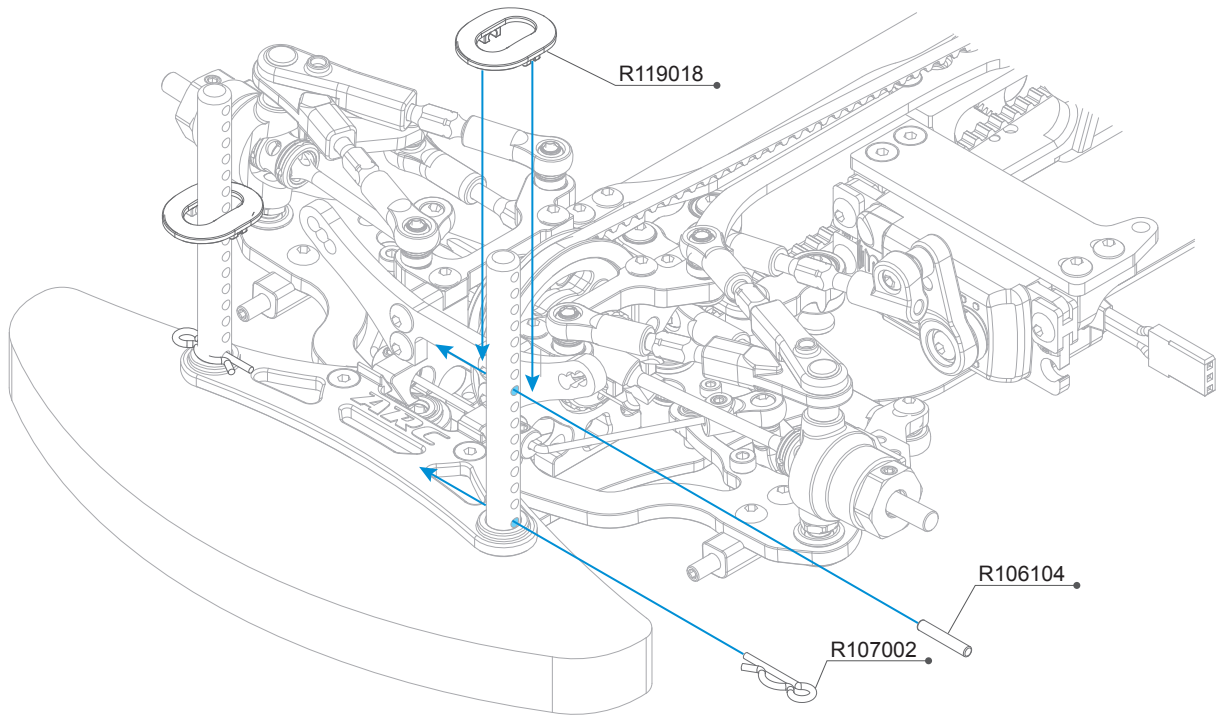


**R105105**  
3x8 Round Screw (10)



**R106104**  
Ø2x11.8 Pin (10)

1:1 Scale



R105105 3x8 Round Screw (10)  
R106104 2x11.8mm Pin (10pcs)

R107002 R-Clip(8pcs)  
R119018 R11 Body Mount Set



**R105106**  
3x10 Round Screw (10)



**R106104**  
Ø2x11.8 Pin (10)

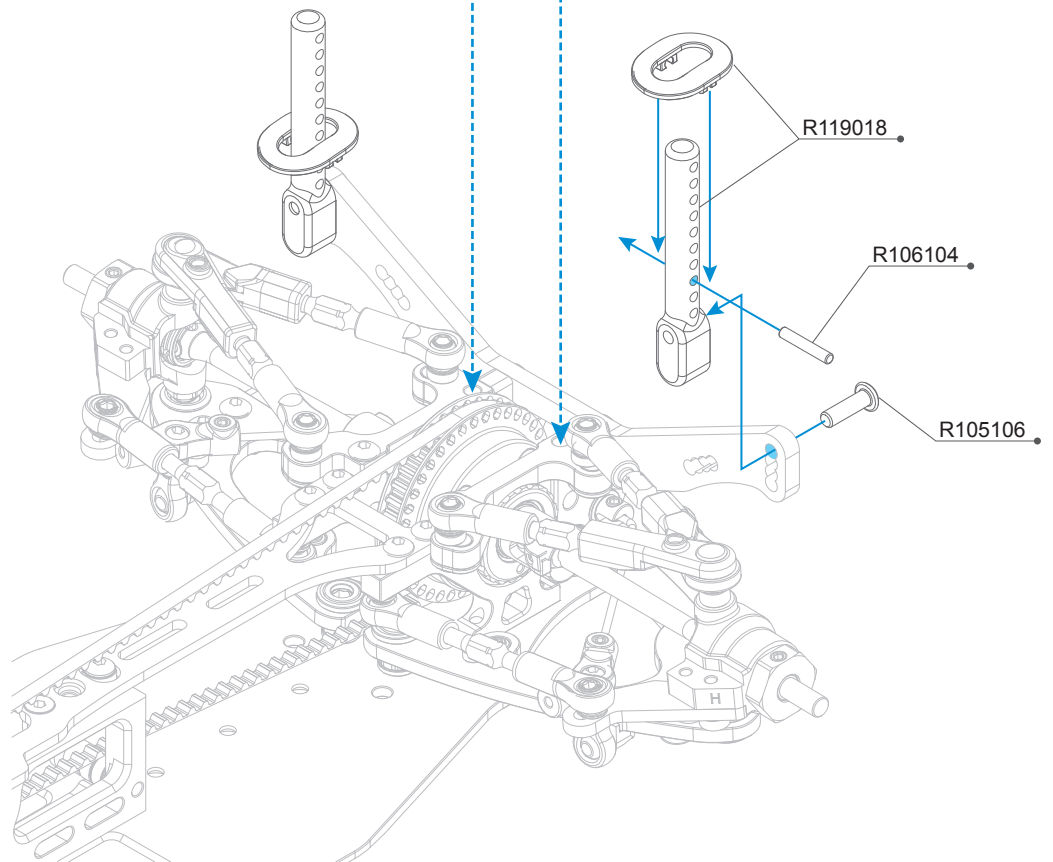
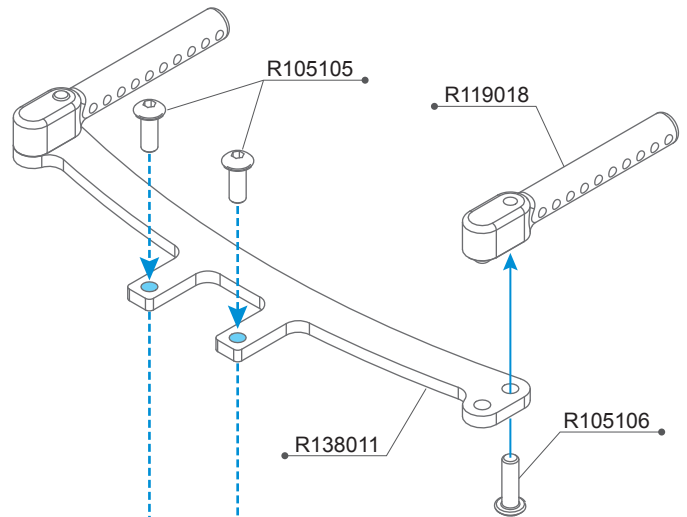
1:1 Scale

**Option Parts (Not Included) / 改裝品 (未附於套件內)**

**R139002** A10 Horizontal body post set

The optional horizontal body post can be used on its own for slightly lower downforce, or in combination with the standard vertical body posts for maximum downforce.

水平式的後車殼支柱可以與原來的直立式後車殼柱一併使用，不同的後車殼柱形式可以用於調整車身後方的下壓力，當一併使用時可以提供最大的後下壓力，單獨使用水平式車殼支柱時的下壓力最小，原廠的後車殼柱則界於中間。



R105106 3x10 Round Screw (10)  
R106104 2x11.8mm Pin (10pcs)

R119018 R11 Body Mount Set



**R102015**  
3x5.5x2mm Alu Shims (8)



**R105106**  
3x10 Round Screw (10)

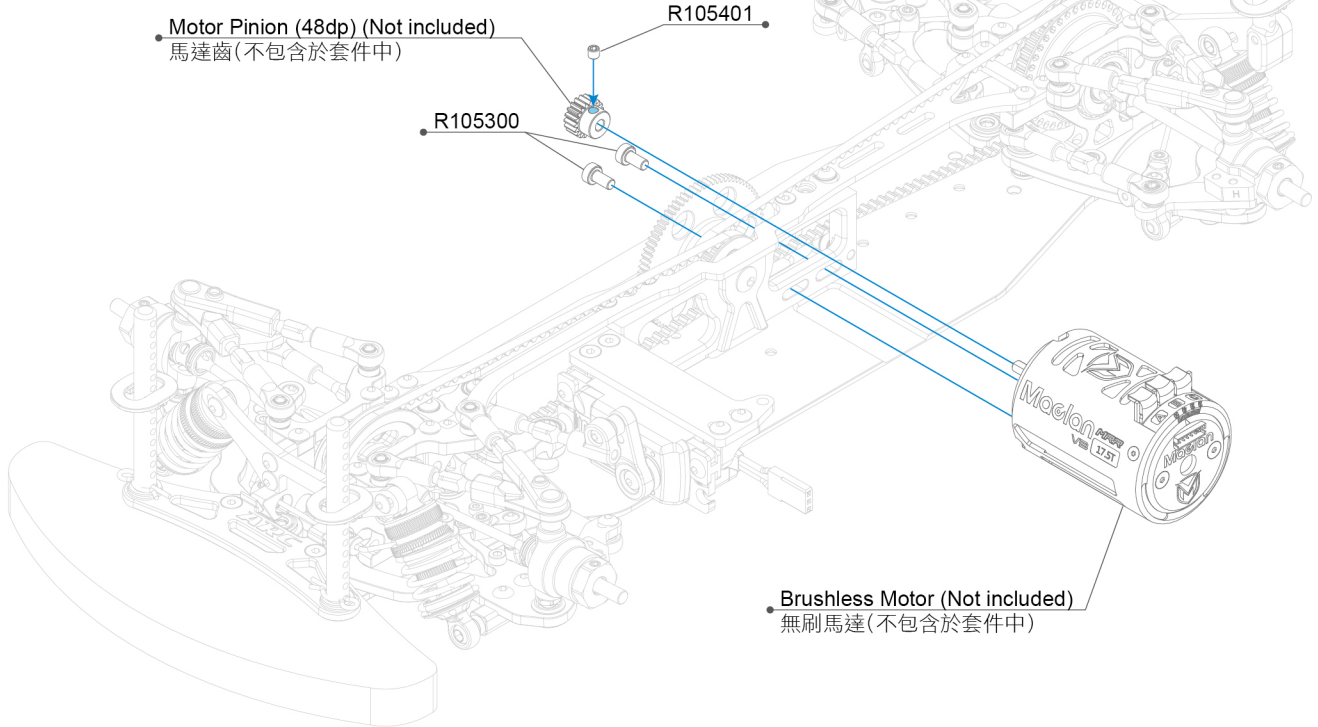
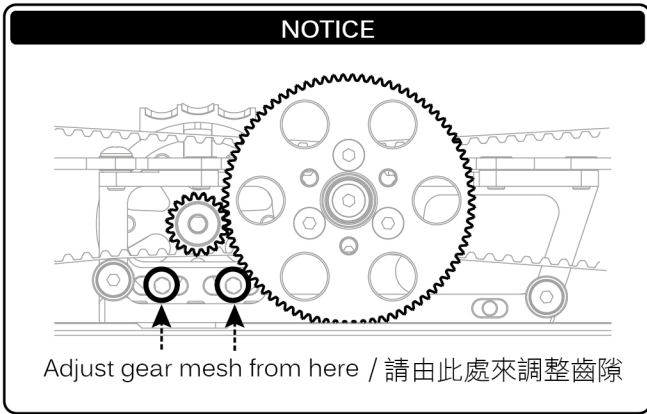
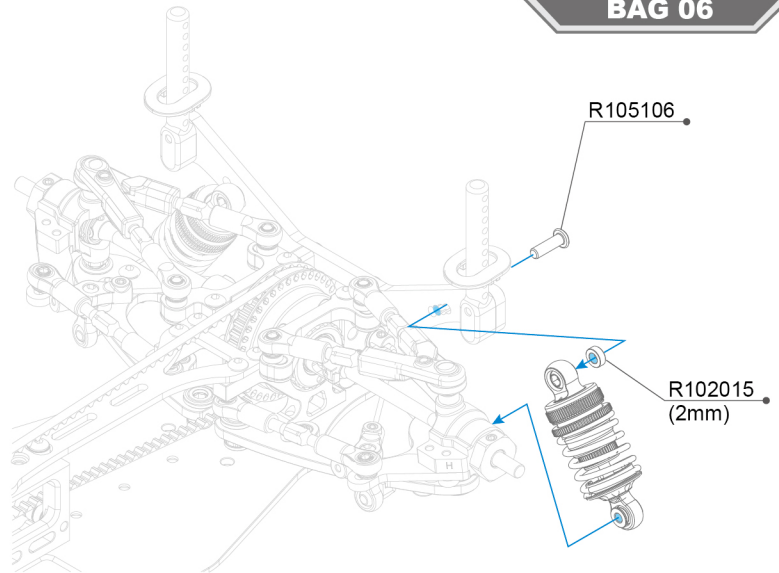


**R105300**  
3x6mm Cap Screw (10)



**R105401**  
3x3mm Set Screw (10)

1:1 Scale



R102015 3x5.5x2mm Alu Shims(8pcs)  
R105106 3x10 Round Screw (10)

R105300 3x6mm Cap Screw (10)  
R105401 3x3mm Set Screw (10)

### SHORTY LIPO BATTERY HOLDER / 短電池電池架



**R102015**  
3x5.5x2mm Alu Shims (8)



**R121015**  
Plastic Shims (1/2/3MM)



**R105105**  
3x8 Round Screw (10)

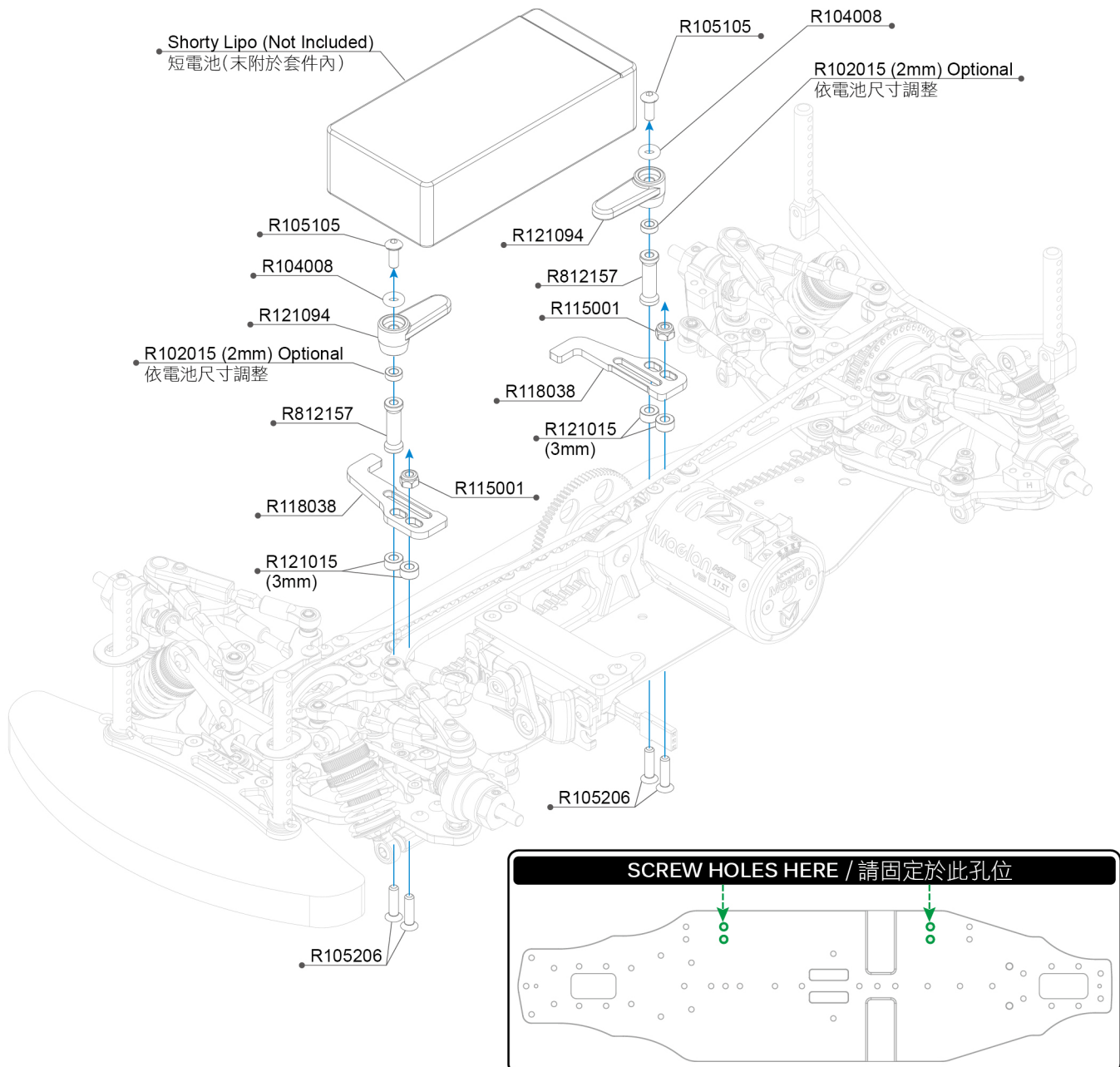


**R105206**  
3x12mm Flat Screw (10)



**R115001**  
3mm Nylon Nut-Black Alu (4)

1:1 Scale



R102015 3x5.5x2mm Alu Shims(8pcs)  
R104008 O'ring 3x2(Hard)(4pcs)  
R105105 3x8 Round Screw (10)  
R105206 3x12mm Flat Screw (10)  
R115001 3mm Nylon Nut-Black Alu (4)

R118038 R11 2019 Battery Guides-Carbon (2)  
R121015 R12 Plastic Shims (1/2/3mm)  
R121094 Battery Holder (2)  
R812157 Aluminum Tower (2)

### STANDARD LIPO BATTERY HOLDER / 標準鋰電池架



**R102015**  
3x5.5x2mm Alu Shims (8)



**R121015**  
Plastic Shims (1/2/3MM)



**R105105**  
3x8 Round Screw (10)

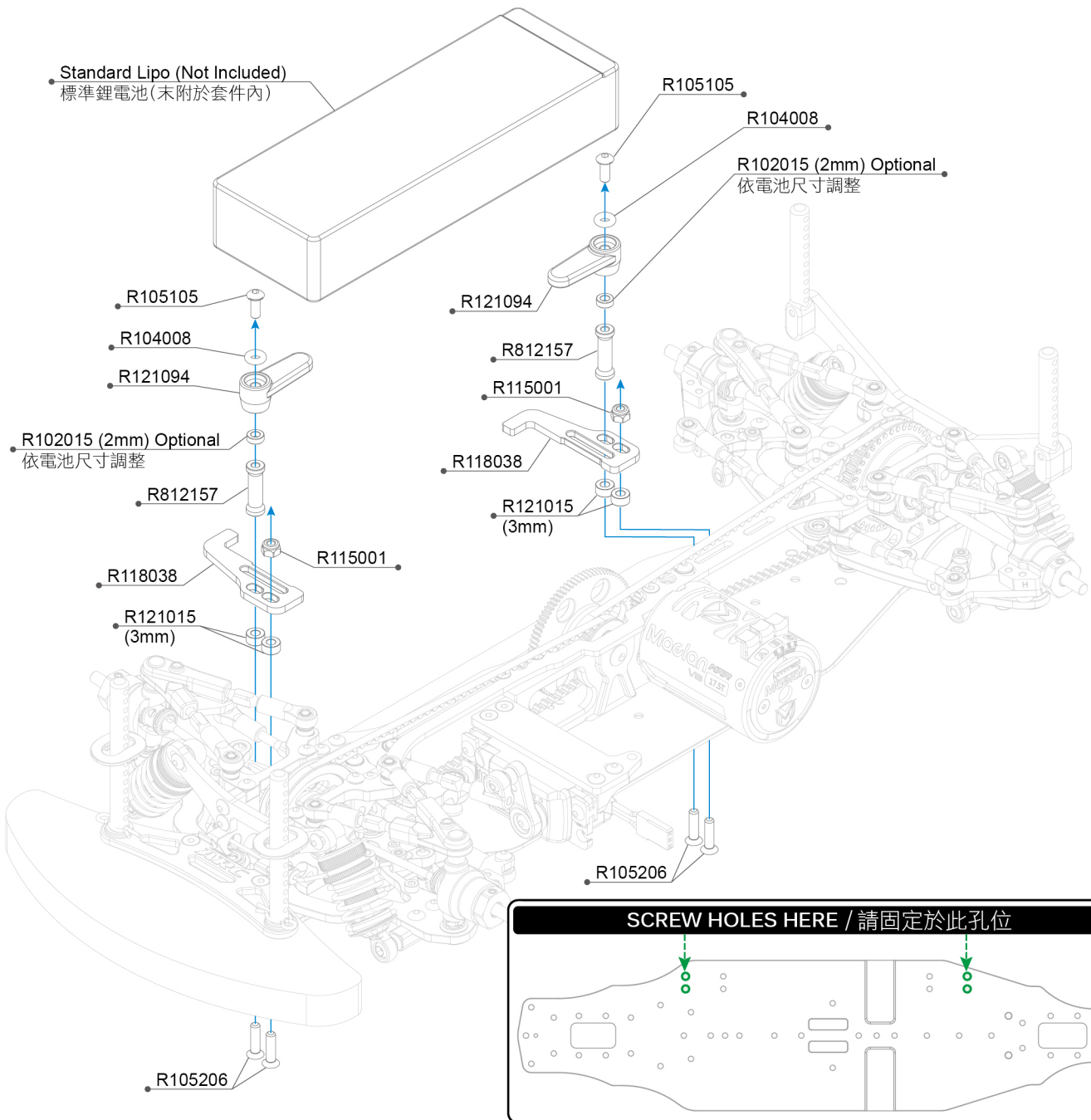


**R105206**  
3x12mm Flat Screw (10)



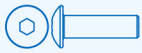
**R115001**  
3mm Nylon Nut-Black Alu (4)

1:1 Scale



R102015 3x5.5x2mm Alu Shims(8pcs)  
R104008 O'ring 3x2(Hard)(4pcs)  
R105105 3x8 Round Screw (10)  
R105206 3x12mm Flat Screw (10)  
R115001 3mm Nylon Nut-Black Alu (4)

R118038 R11 2019 Battery Guides-Carbon (2)  
R121015 R12 Plastic Shims (1/2/3mm)  
R121094 Battery Holder (2)  
R812157 Aluminum Tower (2)



**R105106**  
3x10 Round Screw (10)

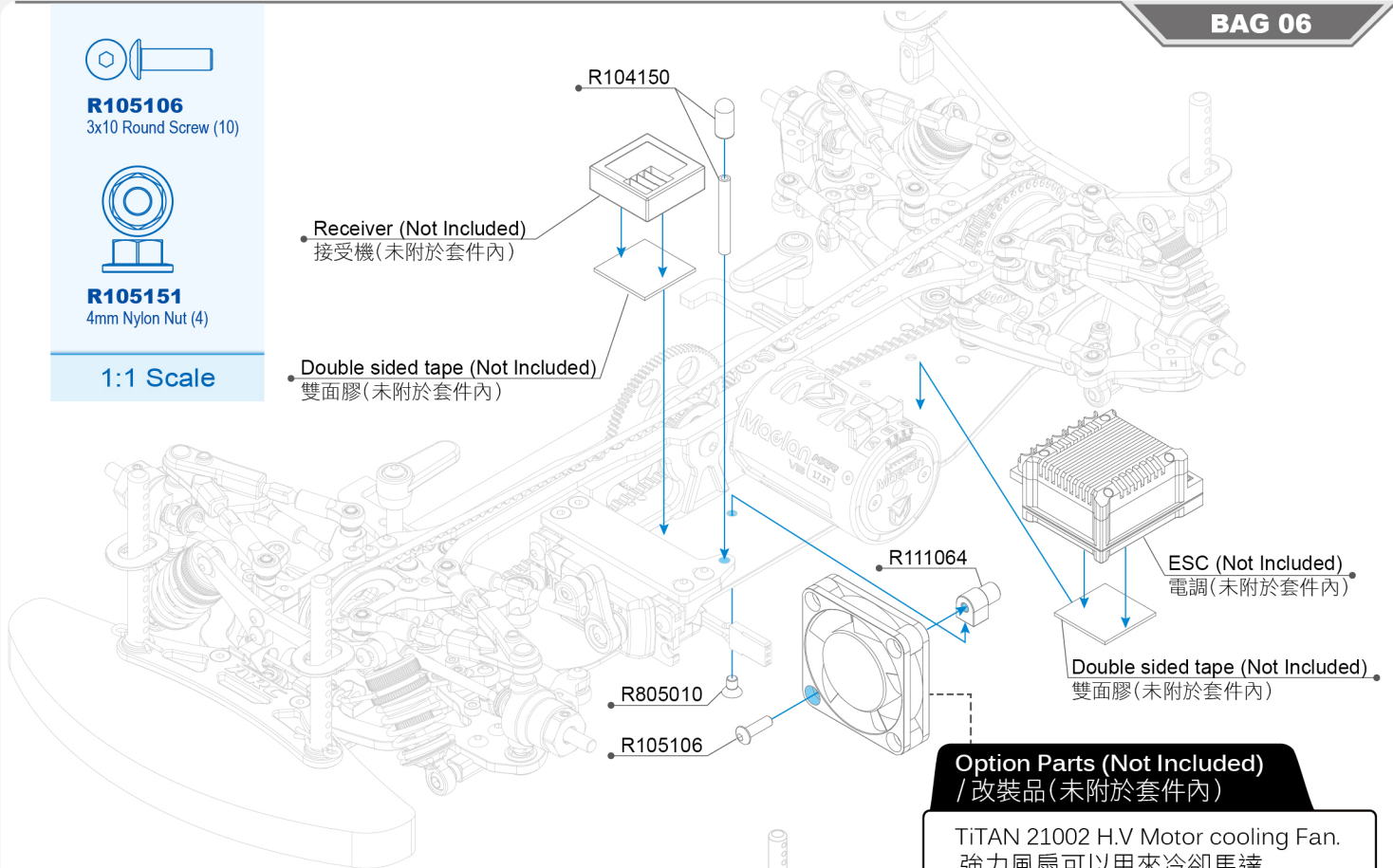


**R105151**  
4mm Nylon Nut (4)

1:1 Scale

• Receiver (Not Included)  
接受機 (未附於套件內)

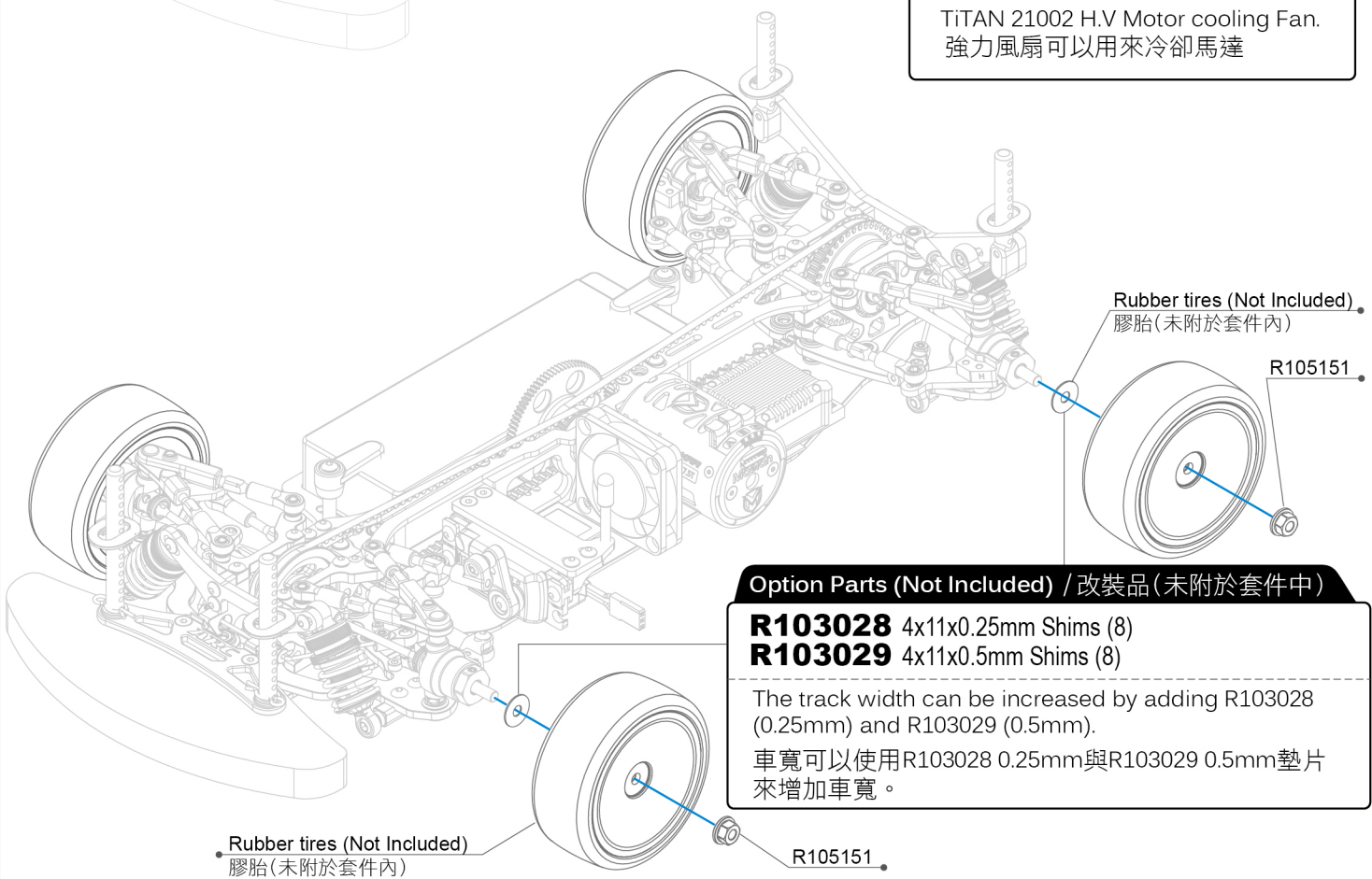
• Double sided tape (Not Included)  
雙面膠 (未附於套件內)



**Option Parts (Not Included)**  
/ 改裝品 (未附於套件內)

TiTAN 21002 H.V Motor cooling Fan.  
強力風扇可以用來冷卻馬達

• Rubber tires (Not Included)  
膠胎 (未附於套件內)



**Option Parts (Not Included)** / 改裝品 (未附於套件中)

**R103028** 4x11x0.25mm Shims (8)  
**R103029** 4x11x0.5mm Shims (8)

The track width can be increased by adding R103028 (0.25mm) and R103029 (0.5mm).  
車寬可以使用R103028 0.25mm與R103029 0.5mm墊片來增加車寬。

• Rubber tires (Not Included)  
膠胎 (未附於套件內)

R104150 Antenna (1set)  
R105106 3x10 Round Screw (10)  
R105151 4mm Nylon Nut (4)

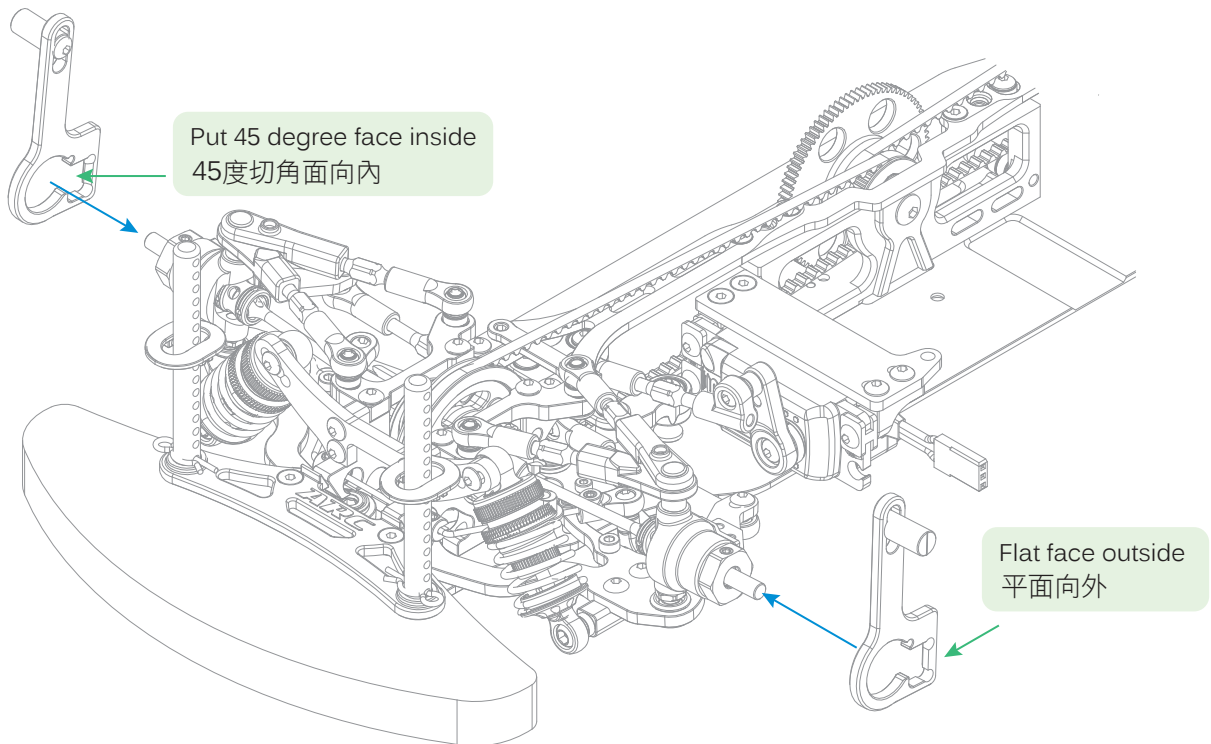
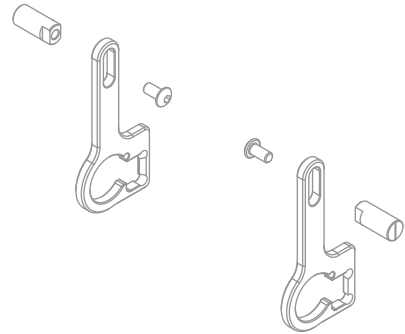
R111064 R11 Motor Fan Mount  
R805010 3x5mm Flat Screw (10)

## NOTICE

### R129017 ARC Caster Gauge

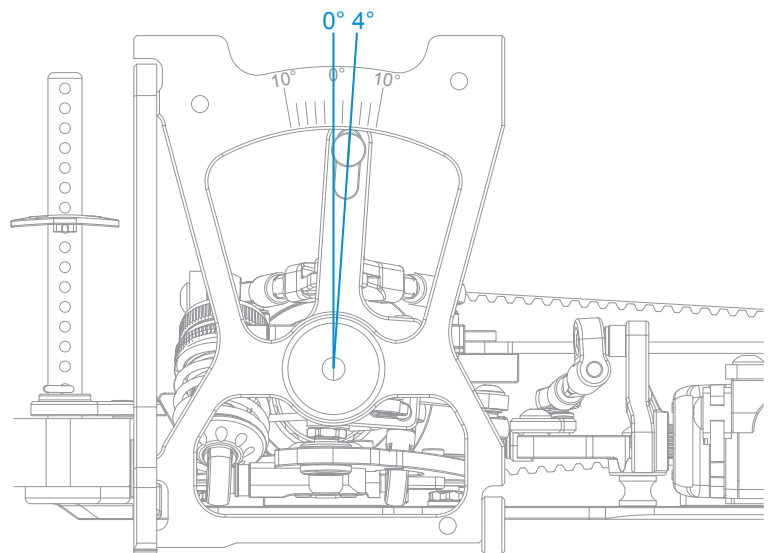
Please use the R129017 caster gauge with a touring car setup system to measure the caster angle of the A10. Each gauge is specific to the left and right sides. Please ensure they are correctly installed.

當A10設定後傾角需使用R1291017 傾角量具，此量具有分左右二邊請依下圖示分別裝上正確的位置以方便量測後傾角。



To adjust the caster angle a setup station is a necessary tool, most setup station have the caster angle gauge, and the initial setup of the front caster angle is -4 degrees.

調整後傾角時，調車架是必需的工具，在多數的調車架上有標示後傾角的度數預設的前輪後傾角是-4度。





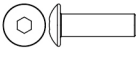


## A10 BAG 06 PARTS EXPLODED VIEW



## A10 BAG 06 PARTS LIST

R102015	3x5.5x2mm Alu Shims(8pcs)	R106104	2x11.8mm Pin (10pcs)
R104008	O'ring 3x2(Hard)(4pcs)	R107002	R-Clip(8pcs)
R104150	Antenna (1set)	R111030	R11 2019 Bumper Set
R105105	3x8 Round Screw (10)	R111064	R11 Motor Fan Mount
R105106	3x10 Round Screw (10)	R114012	R11 2019 Foam Bumper-HARD
R105150	3mm Nylon Nut (10)	R115001	3mm Nylon Nut-Black Alu (4)
R105151	4mm Nylon Nut (4)	R118038	R11 2019 Battery Guides-Carbon (2)
R105204	3x8mm Flat Screw (10)	R119018	R11 Body Mount Set
R105205	3x10mm Flat Screw (10)	R121015	R12 Plastic Shims (1/2/3mm)
R105206	3x12mm Flat Screw (10)	R121094	Battery Holder (2)
R105300	3x6mm Cap Screw (10)	R805010	3x5mm Flat Screw (10)
R105401	3x3mm Set Screw (10)	R812157	Aluminum Tower (2)

## 1:1 SCALE

	R102015 3x5.5x2mm Alu Shims (8)		R105300 3x6mm Cap Screw (10)
	R121015 Plastic Shims (2MM)		R105401 3x3mm Set Screw (10)
	R105105 3x8 Round Screw (10)		R106104 Ø2x11.8 Pin (10)
	R105106 3x10 Round Screw (10)		R105150 3mm Nylon Nut (10)
	R805010 3x5mm Flat Screw (10)		R105151 4mm Nylon Nut (4)
	R105204 3x8mm Flat Screw (10)		R115001 3mm Nylon Nut-Black Alu (4)
	R105205 3x10mm Flat Screw (10)		
	R105206 3x12mm Flat Screw (10)		